

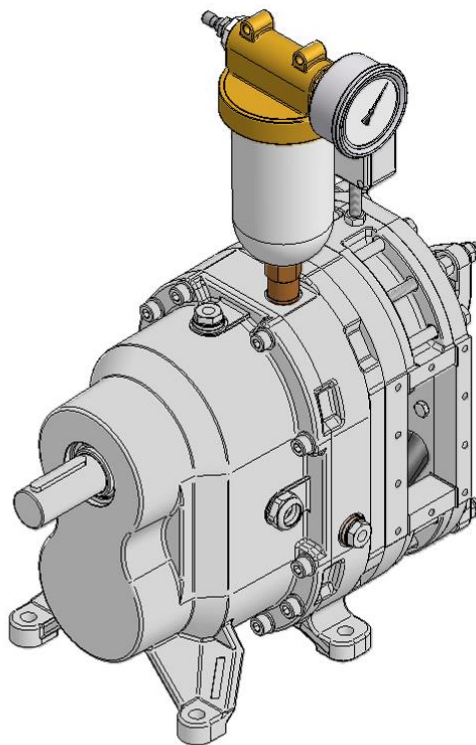


# Spare Parts List

## Explosion-Proof Rotary Lobe Pump

VX100Q

ENGINEERED TO WORK



---

## Issuer

Vogelsang GmbH & Co. KG  
Holthöge 10-14  
49632 Essen/Oldb.

Phone: +49 54 34 83 0  
Fax: +49 54 34 83 10

[www.vogelsang.info](http://www.vogelsang.info)  
[info@vogelsang.info](mailto:info@vogelsang.info)

In the absence of express, written authorisation from the issuer, the reproduction or partial reproduction of this document in any form is prohibited.

We reserve the right to make technical modifications to the diagrams and information presented in this document in the event that such modifications become necessary for the enhancement of the machine.

© 2017 Vogelsang GmbH & Co. KG

### Registered trademarks of Vogelsang

In selected countries Vogelsang<sup>®</sup>, RotaCut<sup>®</sup>, HiFlo<sup>®</sup>, ACC<sup>®</sup>, CFC<sup>®</sup>, BioCrack<sup>®</sup>, XTill<sup>®</sup>, EnergyJet<sup>®</sup>, BioCut<sup>®</sup>, CC-Serie<sup>®</sup>, PreMix<sup>®</sup>, ProTerra<sup>®</sup>, VarioCrop<sup>®</sup> and XRipper<sup>®</sup> are registered trademarks of Vogelsang GmbH & Co. KG, Essen/Oldb., Germany.

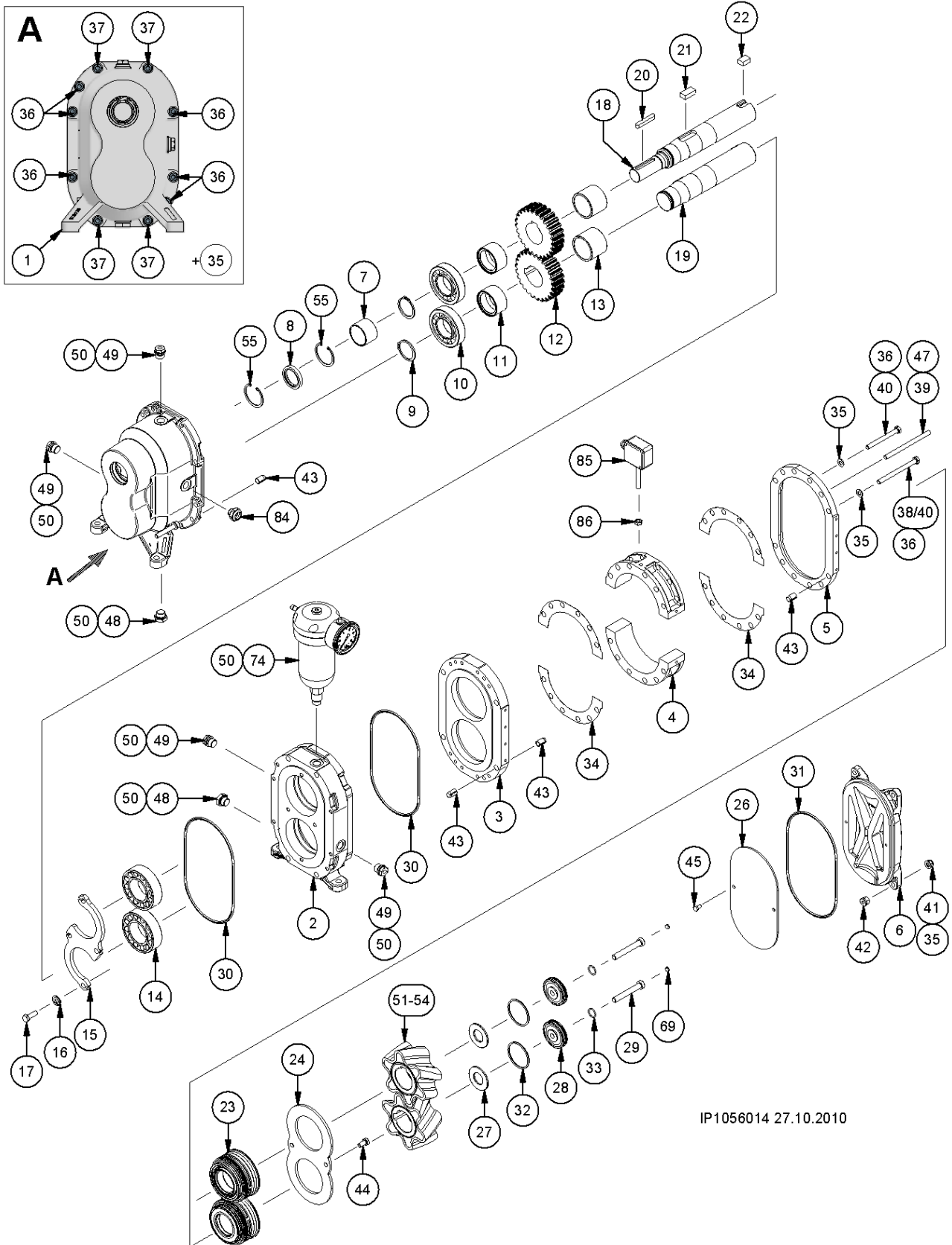
All rights reserved including graphics and images.

The registered trademarks are not always designated with an <sup>®</sup> symbol in this document.

## Contents

Exploded view .....	4
<b>Gearbox housing/ bearing housing/ intermediate flange .....</b>	<b>5</b>
Position 1-3 .....	5
<b>Pump housing segment.....</b>	<b>5</b>
Pos. 4.....	5
<b>Cover flange and cover plate .....</b>	<b>6</b>
Pos. 5-6.....	6
<b>Inner ring/ radial shaft seal ring.....</b>	<b>6</b>
Pos. 7-8.....	6
<b>Gear, bearing and accessories .....</b>	<b>6</b>
Pos. 9-17.....	6
<b>Motor shaft.....</b>	<b>6</b>
Positions 18-19 .....	6
<b>Fitting key .....</b>	<b>7</b>
Pos. 20-22.....	7
<b>Cartridge mechanical seal.....</b>	<b>7</b>
Pos. 23.....	7
<b>"Loose parts" for Cartridge mechanical seal .....</b>	<b>9</b>
<b>Wear plate, gearbox .....</b>	<b>10</b>
Pos. 24-26.....	10
<b>Preload .....</b>	<b>10</b>
Position 27-29 .....	10
<b>O-ring .....</b>	<b>10</b>
Pos. 30-33.....	10
<b>Gasket for pump housing segment .....</b>	<b>10</b>
Position 34 .....	10
<b>Bolts and accessories .....</b>	<b>11</b>
Positions 35-41 .....	11
<b>Bolts and accessories .....</b>	<b>12</b>
Pos. 42-50.....	12
<b>Rotary lobes .....</b>	<b>13</b>
Position 51-54 .....	13
<b>HiFlo .....</b>	<b>13</b>
<b>Rotary lobes; bi-lobe.....</b>	<b>16</b>
<b>Solid material lobe .....</b>	<b>16</b>
<b>HiFlo .....</b>	<b>16</b>
<b>Accessories.....</b>	<b>17</b>
Pos. 55 + 69.....	17
<b>Buffer chamber enlargement .....</b>	<b>17</b>
Position 74 .....	17
<b>Option.....</b>	<b>18</b>
<b>Flushing connector cartridge.....</b>	<b>18</b>
Position 79-81 .....	18
<b>Option.....</b>	<b>18</b>
<b>Locking device Cartridge .....</b>	<b>18</b>
Position 79-80 .....	18
<b>Installation parts ATEX .....</b>	<b>19</b>
Pos. 84-86.....	19
<b>Tools.....</b>	<b>19</b>
<b>Material for connectors.....</b>	<b>19</b>
<b>Required spare parts for rotary lobe change.....</b>	<b>20</b>
<b>Required spare parts for mechanical seal change.....</b>	<b>21</b>
<b>Required spare parts for wear part replacement.....</b>	<b>23</b>

Exploded view



IP1056014 27.10.2010

## Gearbox housing/ bearing housing/ intermediate flange

### Position 1-3

Pos.	Part number	Description	Dimensions	Note	Qty.	45	64	90	128
1	PGP0001	Gearbox housing		Standard		1			
	PGP0002 <sup>(7)</sup>	Gearbox housing		For hollow shaft					
	PGP0055	Gearbox housing		For coupling					
2	PGP0048	Bearing housing				1			
	PGP0059 <sup>(9)</sup>	Bearing housing		With flushing connector					
	PGP0517	Bearing housing		With flushing connector/ KTL coating					
3	PGP0045	Intermediate flange				1			
	PGP0643	Intermediate flange		KTL coating					

<sup>(7)</sup> for hydraulic motor

<sup>(9)</sup> for Cartridge with flushing connector

## Pump housing segment

### Pos. 4

Pos.	Part number	Description	Dimensions	Note	Qty.	45	64	90	128
<b>0.6025 (grey cast iron)</b>									
4	PGP.D001	Pump housing segment	45	0.6025		2	-	-	-
	PGP.D002	Pump housing segment	64	0.6025		-	2	-	-
	PGP.D003	Pump housing segment	90	0.6025		-	-	2	-
	PGP.D004	Pump housing segment	128	0.6025		-	-	-	2
	PGP.D001.G1	Pump housing segment	45	Tungsten carbide coated		2	-	-	-
	PGP.D002.G1	Pump housing segment	64	Tungsten carbide coated		-	2	-	-
	PGP.D003.G1	Pump housing segment	90	Tungsten carbide coated		-	-	2	-
	PGP.D004.G1	Pump housing segment	128	Tungsten carbide coated		-	-	-	2

### 1.0576 (steel model)

4	PGP.D020	Pump housing segment	45	1.0576		2	-	-	-
	PGP.D021	Pump housing segment	64	1.0576		-	2	-	-
	PGP.D022	Pump housing segment	90	1.0576		-	-	2	-
	PGP.D023	Pump housing segment	128	1.0576		-	-	-	2

### Injection S

4	PGP.D030	Pump housing segment	45			2	-	-	-
	PGP.D031	Pump housing segment	64			-	2	-	-
	PGP.D032	Pump housing segment	90			-	-	2	-
	PGP.D033	Pump housing segment	128			-	-	-	2
	PGP.D030.G1	Pump housing segment	45	Tungsten carbide coated		2	-	-	-
	PGP.D031. G1	Pump housing segment	64	Tungsten carbide coated		-	2	-	-
	PGP.D032. G1	Pump housing segment	90	Tungsten carbide coated		-	-	2	-
	PGP.D033. G1	Pump housing segment	128	Tungsten carbide coated		-	-	-	2

### Injection A

4	PGP0090	Pump housing segment	45			2	-	-	-
	PGP0091	Pump housing segment	64			-	2	-	-
	PGP0092	Pump housing segment	90			-	-	2	-
	PGP0093	Pump housing segment	128			-	-	-	2
	PGP0190	Pump housing segment	45	Tungsten carbide coated		2	-	-	-
	PGP0192	Pump housing segment	64	Tungsten carbide coated		-	2	-	-
	PGP0194	Pump housing segment	90	Tungsten carbide coated		-	-	2	-
	PGP0143	Pump housing segment	128	Tungsten carbide coated		-	-	-	2

## Cover flange and cover plate

Pos. 5-6

Pos.	Part number	Description	Dimensions	Note	Qty.	45	64	90	128
5	PGP.D011	Cover flange				1	1	1	1
6	PGP.D012	Cover				1	1	1	1
	PGP.D012.AL	Cover		Aluminium					

## Inner ring/ radial shaft seal ring

Pos. 7-8

Pos.	Part number	Description	Dimensions	Note	Qty.	45	64	90	128
7	NIR.020	Inner ring	JR 30 x 35 x17			1			
	NIR.027 <sup>(7)</sup>	Inner ring	JR 40 x 45 x 30	For hollow shaft					
8	DWD.037	Radial shaft seal ring	35 x 47 x 7	NBR		1			
	DWD.037.VI	Radial shaft seal ring	35 x 47 x 7	FPM					
	DWD0001 <sup>(7)</sup>	Radial shaft seal ring	45 x 55 x 7	For hollow shaft					

<sup>(7)</sup> for hydraulic motor

## Gear, bearing and accessories

Pos. 9-17

Pos.	Part number	Description	Dimensions	Note	Qty.	45	64	90	128
9	NSR.016	Retaining ring	40 x 2,5	DIN 471				2	
10	NLG.031	Cylindrical roller bearing	40 x 80 x 18					2	
11	PRS.D003	Spacer sleeve	41 x 54 x 28	Gear-floating bearing				2	
12	PZH.D005	Gear						2	
	PZH.D005.T2	Gear		Light-weight type					
13	PRS.D002	Spacer sleeve	45 x 53 x 40	Gear-floating bearing				2	
14	NLG.032	Bearing	45 x 85 x 23					2	
15	PFL.D023	Fixing sheet		For fixed bearing				1	
16	NUS.116	Lock washer						4	
17	NSK.019	Hexagon head bolt	M8 x 25	DIN 933				4	

## Motor shaft

Positions 18-19

Pos.	Part number	Description	Dimensions	Note	Qty.	45	64	90	128
18	PWQ.D021	Motor shaft	45	Long		1	-	-	-
	PWQ0002	Motor shaft	64	Long		-	1	-	-
	PWQ0003	Motor shaft	90	Long		-	-	1	-
	PWQ0004	Motor shaft	128	Long		-	-	-	1
18	PWQ.D025.H	Hollow shaft <sup>(7)</sup>	45			1 <sup>(7)</sup>	-	-	-
	PWQ0008	Hollow shaft <sup>(7)</sup>	64			-	1 <sup>(7)</sup>	-	-
	PWQ0009	Hollow shaft <sup>(7)</sup>	90			-	-	1 <sup>(7)</sup>	-
	PWQ0010	Hollow shaft <sup>(7)</sup>	128			-	-	-	1 <sup>(7)</sup>
19	PWQ.D025	Motor shaft	45	Short		1	-	-	-
	PWQ0005	Motor shaft	64	Short		-	1	-	-
	PWQ0006	Motor shaft	90	Short		-	-	1	-
	PWQ0007	Motor shaft	128	Short		-	-	-	1

<sup>(7)</sup> for hydraulic motor

## Fitting key

Pos. 20-22

Pos.	Part number	Description	Dimensions	Note	Qty.	45	64	90	128
20	NPF.020	Fitting key	A 8 x 7 x 50	For motor-shaft long		1	1	1	1
21	NPF.010	Fitting key	B 14 x 9 x 28			2	2	2	2
22	NPF.050	Fitting key	B 14 x 9 x 20	DIN 6885		2	-	-	-
	NPF.022	Fitting key	B 14 x 9 x 35	DIN 6885		-	2	-	-
	NPF.051	Fitting key	B 14 x 9 x 63	DIN 6885		-	-	2	-
	NPF.013	Fitting key	B 14 x 9 x 100	DIN 6885		-	-	-	2

## Cartridge mechanical seal

Pos. 23

Pos.	Part number	Description	Dimensions	Note	Qty.	45	64	90	128
------	-------------	-------------	------------	------	------	----	----	----	-----

### Steel nitrided

23	PBT1520	Cartridge mechanical seal , HD, single-mechanical seal		Duronit <sup>(4)</sup> ; FPM, FPM		2			
	PBT1519			SiC; FPM, FPM					
23	PBT.D051	Cartridge mechanical seal block ring Einzel-Gleitringdichtung		WC/SiC; HNBR, HNBR		2			
	PBT.D050			CrO/Duronit <sup>(4)</sup> ; HNBR, HNBR					
	PBT0506			CrO/Duronit <sup>(4)</sup> ; FPM, FPM					
	PBT1784			WC/SiC; EPDM, FPM					
	PBT1793			WC/SiC; MVQ, FPM					
	PBT1783			CrO/Duronit <sup>(4)</sup> ; FEPM, FPM					
	PBT1785			CrO/Duronit <sup>(4)</sup> ; EPDM, FPM					
	PBT0167			WC/coal; HNBR, HNBR					
	PBT1788			WC/coal; EPDM, FPM					
	PBT1792			WC/coal; FPM, FPM					
PBT0351	WC/SiC; FPM, FPM								
23	PBT.D051.D	Cartridge mechanical seal block ring double-mechanical seal		WC/SiC; HNBR, NBR		2			
	PBT0170			WC/SiC; FPM, FPM					
	PBT.D050.D			CrO/Duronit <sup>(4)</sup> ; HNBR, NBR					
	PBT1775			CrO/Duronit <sup>(4)</sup> ; FPM, FPM					

<sup>(4)</sup> up to 10 bar [145 psi] real operating pressure

Continuation see next page

Pos.	Part number	Description	Dimensions	Note	Qty.	45	64	90	128
------	-------------	-------------	------------	------	------	----	----	----	-----

1.4571

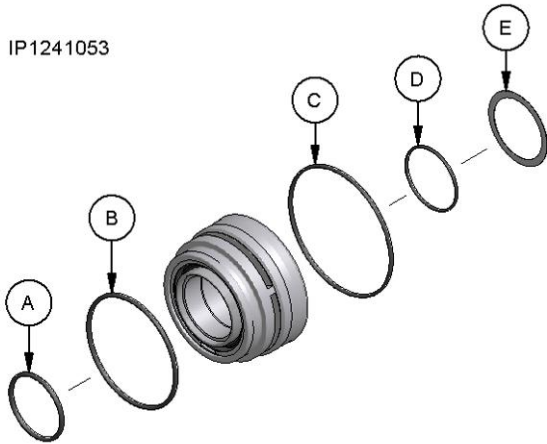
23	PBT1388	Cartridge mechanical seal HD, single-mechanical seal		1.4462 SiC; HNBR, HNBR		2			
	PBT1794			1.4462 SiC; EPDM, FPM					
	PBT1078			1.4539 SiC; HNBR, HNBR					
	PBT1795			1.4539 SiC; FPM, FPM					
	PBT1389			1.4501 SiC; HNBR, HNBR					
	PBT1796			1.4501 SiC; FEPM, FPM					
	PBT1387			1.4571 SiC; HNBR, HNBR					
23	PBT0104	Cartridge mechanical seal block ring single-mechanical seal		1.4571 WC/SiC; HNBR, HNBR		2			
	PBT0593			1.4571 WC/SiC; FPM, HNBR					
	PBT1789			1.4571 WC/SiC; EPDM, FPM					
	PBT1791			1.4462 WC/SiC; EPDM, FPM					
	PBT1624			1.4462 WC/SiC; FPM, FPM					
	PBT0968			1.4571 WC/SiC; FFPM, FPM					
	PBT0584			1.4571 CrO/Duronit; HNBR, HNBR					
	PBT0168			1.4571 WC/coal; HNBR, NBR					
	PBT1786			1.4571 WC/coal; FPM, FPM					
	PBT1782			1.4571 WC/coal; EPDM, FPM					
PBT0781		1.4462 WC/SiC; HNBR, HNBR							
23	PBT0304	Cartridge mechanical seal block ring double-mechanical seal		1.4571 WC/SiC; HNBR, NBR		2			
	PBT0443			1.4571 WC/SiC; FPM, FPM					
	PBT1776 <sup>(9)</sup>			1.4571 WC/SiC; FPM, FPM with flush bore hole <sup>(9)</sup>					

<sup>(4)</sup> up to 10 bar [145 psi] real operating pressure  
<sup>(9)</sup> for Cartridge with flushing connector



## "Loose parts" for Cartridge mechanical seal

IP1241053



Pos.	Part number	Description	Dimensions	Notes	Qty.
A <sup>(10)</sup>	DOR.072	O-ring	45 x 3	NBR	2
	DOR.072.VI	O-ring	45 x 3	FPM	
B	DOR.058	O-ring	78 x 3	NBR	2
C	DOR.082	O-ring	90 x 2.5	NBR	2
	DOR.082.EP	O-ring	90 x 2.5	EPDM	
	DOR.082.VI	O-ring	90 x 2.5	FPM	
	DOR.082.PT	O-ring	90 x 2.5	MVQ; FEP coated	
D	DOR.068	O-ring	45 x 2	NBR	2
E	NUS.033	Shim	45 x 55 x 0.3	DIN 988	2

<sup>(10)</sup> only in "dry buffer chamber", and as an option for custom Cartridge mechanical seal

**Wear plate, gearbox****Pos. 24-26**

Pos.	Part number	Description	Dimensions	Note	Qty.	45	64	90	128
24	PFL.D021	Wear plate				1	1	1	1
	PFL0009	Wear plate		Tungsten carbide coated					
26	PFL.D003	Wear plate				1	1	1	1
	PFL.D003.G1	Wear plate		Tungsten carbide coated					

**Preload****Position 27-29**

Pos.	Part number	Description	Dimensions	Note	Qty.	45	64	90	128
27	NTF.004	Spring washer	50 x 25.4 x 3	DIN 2093		2	2	2	2
28	PRS.D004	Pressure disk	56 x 13			2	2	2	2
29	NSI.099	Cylinder head bolt	M10 x 70	DIN 6912		2	2	2	2

**O-ring****Pos. 30-33**

Pos.	Part number	Description	Dimensions	Note	Qty.	45	64	90	128
30	DOR.057	O-ring	188 x 4	NBR					2
	DOR.057.VI	O-ring	188 x 4	FPM					
31	DOR.057	O-ring	188 x 4	NBR					1
	DOR.057.EP	O-ring	188 x 4	EPDM					
	DOR.057.VI	O-ring	188 x 4	FPM					
	DOR.057.PT	O-ring	188 x 4	MVQ, FEP coated					
32	DOR.056	O-ring	50 x 3	NBR					2
	DOR.056.EP	O-ring	50 x 3	EPDM					
	DOR.056.VI	O-ring	50 x 3	FPM					
	DOR.056.PT	O-ring	50 x 3	MVQ; FEP coated					
33	DOR.055	O-ring	16 x 2	NBR					2
	DOR.055.EP	O-ring	16 x 2	EPDM					
	DOR.055.VI	O-ring	16 x 2	FPM					
	DOR.055.PT	O-ring	16 x 2	MVQ; FEP coated					

**Gasket for pump housing segment****Position 34**

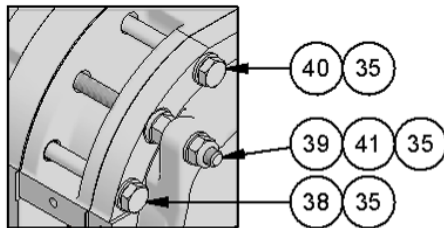
Pos.	Part number	Description	Dimensions	Note	Qty.	45	64	90	128
34	DAD.D003	Gasket, pump housing segment							4

## Bolts and accessories

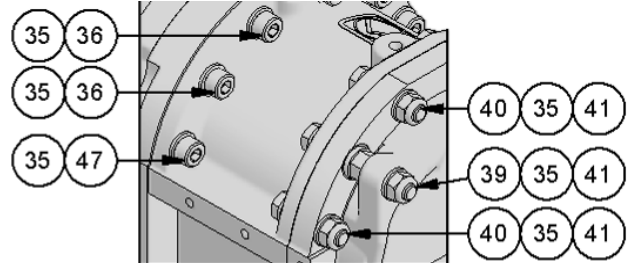
### Positions 35-41

Pos.	Part number	Description	Dimensions	Note	Qty.	45	64	90	128
<b>Pump housing segments made of grey cast iron</b>									
35	NUS.003	Washer	A 8,4 x 16 x 1,6			22	22	46	46
36	NSI.005	Cylinder head bolt	M8 x 30	Pump housing segment		-	-	8	8
				Gear box housing		6	6	6	6
37	NSI0050	Cylinder head bolt	M8 x 80	DIN 912		4	4	4	4
38	NSK.049	Hexagon head bolt	M8 x 100	DIN 931		4	-	-	-
	NSK.063	Hexagon head bolt	M8 x 120	DIN 931		-	4	-	-
39	NGS.017	Threaded rod	M8 x 120	DIN 976		4	-	-	-
	NGS.038	Threaded rod	M8 x 140	DIN 976		-	4	-	-
	NSK.148	Hexagon head bolt	M8 x 60	DIN 933		-	-	4	4
40	NSK.062	Hexagon head bolt	M8 x 80	DIN 931		4	-	-	-
	NSK.049	Hexagon head bolt	M8 x 100	DIN 931		-	4	-	-
	NSK.021	Hexagon head bolt	M8 x 35	DIN 933		-	-	8	8
41	NMK.004	Hexagon nut	M8	DIN 985-3		4	4	12	12

Grey cast iron 45-64

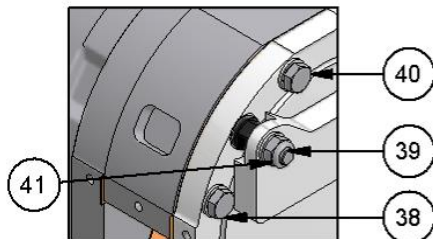


Grey cast iron 90-128



### Pump housing segment made of steel / stainless steel

35	NUS.003	Washer	A 8,4 x 16 x 1,6			22	22	22	22
36	NSI.005	Cylinder head bolt	M 8 x 30	DIN 912		6	6	6	6
37	NSI0050	Cylinder head bolt	M 8 x 80	DIN 912		4	4	4	4
38	NSK.049	Hexagon head bolt	M 8 x 100	DIN 931		4	-	-	-
	NSK.063	Hexagon head bolt	M 8 x 120	DIN 931		-	4	-	-
	NSK.190	Hexagon head bolt	M 8 x 150	DIN 931		-	-	4	-
	NSK.191	Hexagon head bolt	M 8 x 190	DIN 931		-	-	-	4
39	NGS.017	Threaded rod	M 8 x 120	DIN 976		4	-	-	-
	NGS.038	Threaded rod	M 8 x 140	DIN 976		-	4	-	-
	NGS.087	Threaded rod	M 8 x 120	DIN 976		-	-	4	-
	NGS.092	Threaded rod	M 8 x 140	DIN 976		-	-	-	4
40	NSK.062	Hexagon head bolt	M 8 x 80	DIN 931		4	-	-	-
	NSK.049	Hexagon head bolt	M 8 x 100	DIN 931		-	4	-	-
	NSK.140	Hexagon head bolt	M 8 x 130	DIN 931		-	-	4	-
	NSK0010	Hexagon head bolt	M 8 x 170	DIN 931		-	-	-	4
41	NMK.004	Hexagon nut	M 8	DIN 985-3		4	4	4	4



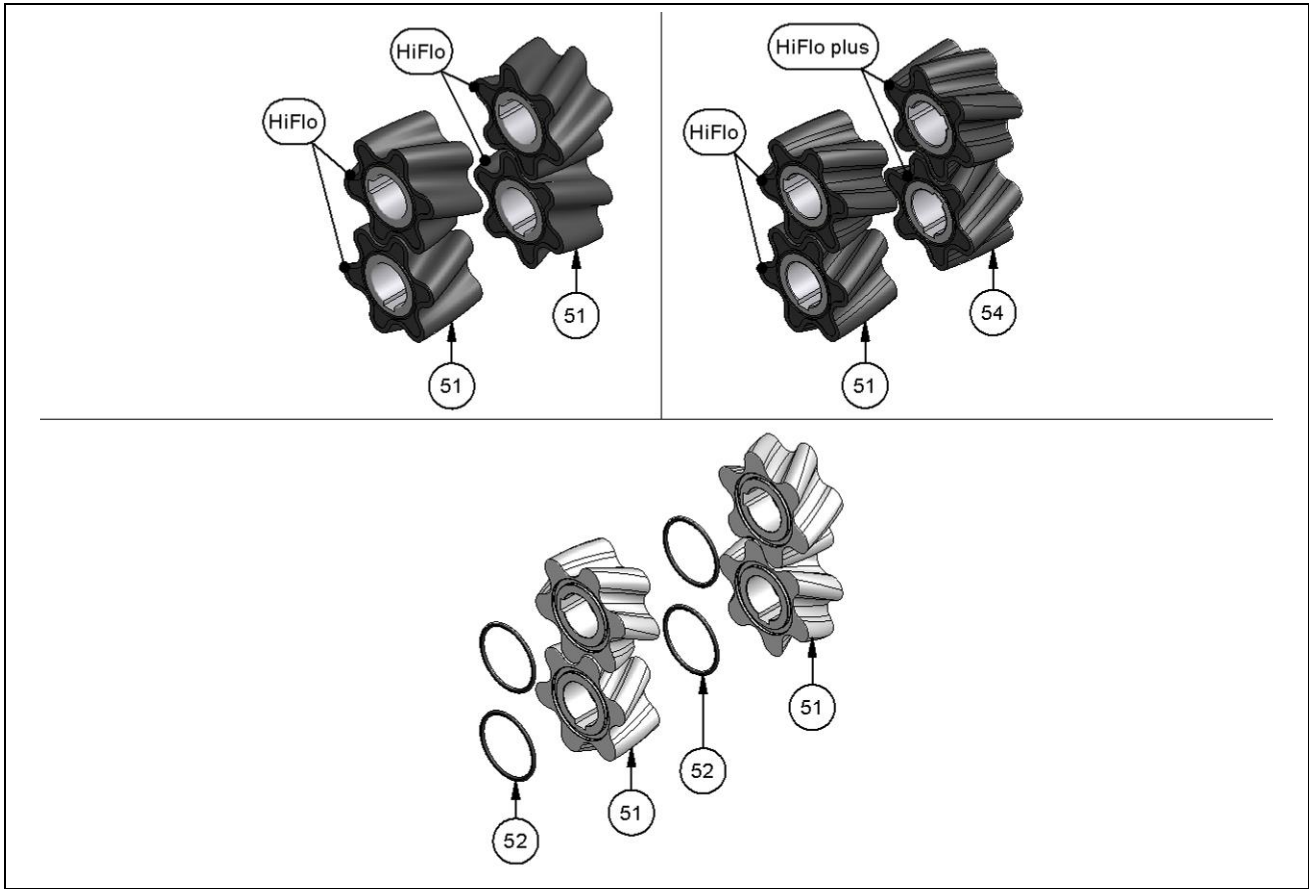
## Bolts and accessories

Pos. 42-50

Pos.	Part number	Description	Dimensions	Note	Qty.	45	64	90	128
42	PRS.D006	Distance nut	M 8			4			
43	NSP.021	Spring pin	11 x 18	DIN 7346		18			
44	NSK0006	Hexagon head bolt	M8 x 16	DIN 933		2	2	2	2
45	NSK.193.EE	Hexagon head bolt	M6 x 10	DIN 933		2	2	2	2
37	NSI.115	Cylinder head bolt	M8 x 50	DIN 912		-	-	4	4
48	NSK.088	Screw plug	M16 x 1,5	DIN 910; magnetic		1			
49	NSK.081	Screw plug	M16 x 1,5	DIN 910		4 / 5 <sup>(9)</sup>			
50	DKR.005	Copper ring	C 16 x 22 x2	DIN7603		5 / 6 <sup>(9)</sup>			

<sup>(9)</sup> for Cartridge with flushing connector

**Rotary lobes**  
Position 51-54



**HiFlo**

**HiFlo SBR**

Pos.	Part number	Description	Dimensions	Note	Qty.	45	64	90	128
51	PKD.D101.TL	Rotary lobe	45; 6K15-L HiFlo	SBR		1	-	2 (1)	-
	PKD.D101.TR	Rotary lobe	45; 6K15-R HiFlo	SBR		1	-	2 (1)	-
	PKD.D111.TL	Rotary lobe	64; 6K15-L HiFlo	SBR		-	1	-	2 (1)
	PKD.D111.TR	Rotary lobe	64; 6K15-R HiFlo	SBR		-	1	-	2 (1)
54		Rotary lobe	45; 6K15-L HiFloplus	SBR		-	-	(1)	-
		Rotary lobe	45; 6K15-R HiFloplus	SBR		-	-	(1)	-
		Rotary lobe	64; 6K15-L HiFloplus	SBR		-	-	-	(1)
		Rotary lobe	64; 6K15-R HiFloplus	SBR		-	-	-	(1)

( ) quantity for HiFlo plus

## HiFlo NBR

Pos.	Part number	Description	Dimensions	Note	Qty.	45	64	90	128
51	PKD.D102.TL	Rotary lobe	45; 6K15-L HiFlo	NBR		1	-	2 (1)	-
	PKD.D102.TR	Rotary lobe	45; 6K15-R HiFlo	NBR		1	-	2 (1)	-
	PKD.D112.TL	Rotary lobe	64; 6K15-L HiFlo	NBR		-	1	-	2 (1)
	PKD.D112.TR	Rotary lobe	64; 6K15-R HiFlo	NBR		-	1	-	2 (1)
54	PKD0023	Rotary lobe	45; 6K15-L HiFloplus	NBR		-	-	(1)	-
	PKD0024	Rotary lobe	45; 6K15-R HiFloplus	NBR		-	-	(1)	-
	PKD0025	Rotary lobe	64; 6K15-L HiFloplus	NBR		-	-	-	(1)
	PKD0026	Rotary lobe	64; 6K15-R HiFloplus	NBR		-	-	-	(1)
51	PKD.D103.TL	Rotary lobe	45; 6K15-L HiFlo	NBR white		1	-	2 (1)	-
	PKD.D103.TR	Rotary lobe	45; 6K15-R HiFlo	NBR white		1	-	2 (1)	-
	PKD.D113.TL	Rotary lobe	64; 6K15-L HiFlo	NBR white		-	1	-	2 (1)
	PKD.D113.TR	Rotary lobe	64; 6K15-R HiFlo	NBR white		-	1	-	2 (1)
54		Rotary lobe	45; 6K15-L HiFloplus	NBR white		-	-	(1)	-
		Rotary lobe	45; 6K15-R HiFloplus	NBR white		-	-	(1)	-
		Rotary lobe	64; 6K15-L HiFloplus	NBR white		-	-	-	(1)
		Rotary lobe	64; 6K15-R HiFloplus	NBR white		-	-	-	(1)

## HiFlo EPDM

Pos.	Part number	Description	Dimensions	Note	Qty.	45	64	90	128
51	PKD.D110.TL	Rotary lobe	45; 6K15-L HiFlo	EPDM-SL		1	-	2 (1)	-
	PKD.D110.TR	Rotary lobe	45; 6K15-R HiFlo	EPDM-SL		1	-	2 (1)	-
	PKD.D120.TL	Rotary lobe	64; 6K15-L HiFlo	EPDM-SL		-	1	-	2 (1)
	PKD.D120.TR	Rotary lobe	64; 6K15-R HiFlo	EPDM-SL		-	1	-	2 (1)
54		Rotary lobe	45; 6K15-L HiFloplus	EPDM-SL		-	-	(1)	-
		Rotary lobe	45; 6K15-R HiFloplus	EPDM-SL		-	-	(1)	-
	PKD0062	Rotary lobe	64; 6K15-L HiFloplus	EPDM-SL		-	-	-	(1)
	PKD0063	Rotary lobe	64; 6K15-R HiFloplus	EPDM-SL		-	-	-	(1)
51	PKD.D106.TL	Rotary lobe	45; 6K15-L HiFlo	EPDM white		1	-	2 (1)	-
	PKD.D106.TR	Rotary lobe	45; 6K15-R HiFlo	EPDM white		1	-	2 (1)	-
	PKD.D116.TL	Rotary lobe	64; 6K15-L HiFlo	EPDM white		-	1	-	2 (1)
	PKD.D116.TR	Rotary lobe	64; 6K15-R HiFlo	EPDM white		-	1	-	2 (1)
54		Rotary lobe	45; 6K15-L HiFloplus	EPDM white		-	-	(1)	-
		Rotary lobe	45; 6K15-R HiFloplus	EPDM white		-	-	(1)	-
		Rotary lobe	64; 6K15-L HiFloplus	EPDM white		-	-	-	(1)
		Rotary lobe	64; 6K15-R HiFloplus	EPDM white		-	-	-	(1)

( ) quantity for HiFlo plus

### HiFlo FPM

Pos.	Part number	Description	Dimensions	Note	Qty.	45	64	90	128
51	PKD.D105.TL	Rotary lobe	45; 6K15-L HiFlo	FPM <sup>(1)</sup>		1	-	2 (1)	-
	PKD.D105.TR	Rotary lobe	45; 6K15-R HiFlo	FPM <sup>(1)</sup>		1	-	2 (1)	-
	PKD.D115.TL	Rotary lobe	64; 6K15-L HiFlo	FPM <sup>(1)</sup>		-	1	-	2 (1)
	PKD.D115.TR	Rotary lobe	64; 6K15-R HiFlo	FPM <sup>(1)</sup>		-	1	-	2 (1)
54		Rotary lobe	45; 6K15-L HiFloplus	FPM <sup>(1)</sup>		-	-	(1)	-
		Rotary lobe	45; 6K15-R HiFloplus	FPM <sup>(1)</sup>		-	-	(1)	-
		Rotary lobe	64; 6K15-L HiFloplus	FPM <sup>(1)</sup>		-	-	-	(1)
		Rotary lobe	64; 6K15-R HiFloplus	FPM <sup>(1)</sup>		-	-	-	(1)

<sup>(1)</sup> max. 6 bar [87 psi], please pay attention to the admissible pressure of pump!

### HiFlo WEROBUST

Pos.	Part number	Description	Dimensions	Note	Qty.	45	64	90	128
51	PKD.D108.TL	Rotary lobe	45; 6K15-L HiFlo	WEROBUST <sup>(2)</sup>		1	-	2 (1)	-
	PKD.D108.TR	Rotary lobe	45; 6K15-R HiFlo	WEROBUST <sup>(2)</sup>		1	-	2 (1)	-
	PKD.D118.TL	Rotary lobe	64; 6K15-L HiFlo	WEROBUST <sup>(2)</sup>		-	1	-	2 (1)
	PKD.D118.TR	Rotary lobe	64; 6K15-R HiFlo	WEROBUST <sup>(2)</sup>		-	1	-	2 (1)
54		Rotary lobe	45; 6K15-L HiFloplus	WEROBUST <sup>(2)</sup>		-	-	(1)	-
		Rotary lobe	45; 6K15-R HiFloplus	WEROBUST <sup>(2)</sup>		-	-	(1)	-
		Rotary lobe	64; 6K15-L HiFloplus	WEROBUST <sup>(2)</sup>		-	-	-	(1)
		Rotary lobe	64; 6K15-R HiFloplus	WEROBUST <sup>(2)</sup>		-	-	-	(1)

<sup>(2)</sup> Attention! Usable up to 50°C medium temperature, only!

### HiFlo CSM Hypalon

Pos.	Part number	Description	Dimensions	Note	Qty.	45	64	90	128
51	PKD.D107.TL	Rotary lobe	45; 6K15-L HiFlo	CSM Hypalon		1	-	2 (1)	-
	PKD.D107.TR	Rotary lobe	45; 6K15-R HiFlo	CSM Hypalon		1	-	2 (1)	-
	PKD.D117.TL	Rotary lobe	64; 6K15-L HiFlo	CSM Hypalon		-	1	-	2 (1)
	PKD.D117.TR	Rotary lobe	64; 6K15-R HiFlo	CSM Hypalon		-	1	-	2 (1)
54		Rotary lobe	45; 6K15-L HiFloplus	CSM Hypalon		-	-	(1)	-
		Rotary lobe	45; 6K15-R HiFloplus	CSM Hypalon		-	-	(1)	-
		Rotary lobe	64; 6K15-L HiFloplus	CSM Hypalon		-	-	-	(1)
		Rotary lobe	64; 6K15-R HiFloplus	CSM Hypalon		-	-	-	(1)

( ) quantity for HiFlo plus

## Rotary lobes; bi-lobe

Pos.	Part number	Description	Dimensions	Note	Qty.	45	64	90	128
51	PKD.D001	Rotary lobe, bi-lobe	45	SBR		2	-	4	-
	PKD.D011	Rotary lobe, bi-lobe	64	SBR		-	2	-	4
	PKD.D002	Rotary lobe, bi-lobe	45	NBR		2	-	-	-
	PKD.D012	Rotary lobe, bi-lobe	64	NBR		-	2	-	-
	PKD.D022	Rotary lobe, bi-lobe	90	NBR		-	-	2	-
	PKD.D032	Rotary lobe, bi-lobe	128	NBR		-	-	-	2
	PKD.D002.F	Rotary lobe, bi-lobe	45	NBR with large rubber line		2	-	4	-
	PKD.D012.F	Rotary lobe, bi-lobe	64	NBR with large rubber line		-	2	-	4
	PKD.D002.W	Rotary lobe, bi-lobe	45	NBR white		2	-	4	-
	PKD.D012.W	Rotary lobe, bi-lobe	64	NBR white		-	2	-	4
	PKD.D003.SL	Rotary lobe, bi-lobe	45	EPDM-SL		2	-	4	-
	PKD.D013.SL	Rotary lobe, bi-lobe	64	EPDM-SL		-	2	-	4
	PKD.D003.W	Rotary lobe, bi-lobe	45	EPDM white		2	-	4	-
	PKD.D013.W	Rotary lobe, bi-lobe	64	EPDM white		-	2	-	4
	PKD.D004	Rotary lobe, bi-lobe	45	FPM <sup>(1)</sup>		2	-	-	-
	PKD.D014	Rotary lobe, bi-lobe	64	FPM <sup>(1)</sup>		-	2	-	4
	PKD.D024	Rotary lobe, bi-lobe	90	FPM <sup>(1)</sup>		-	-	2	-
	PKD.D006	Rotary lobe, bi-lobe	45	WEROBUST <sup>(2)</sup>		2	-	4	-
PKD.D015	Rotary lobe, bi-lobe	64	WEROBUST <sup>(2)</sup>		-	2	-	4	
51	PKD.D007	Rotary lobe; 2-wings <sup>(3)</sup>	45	1.0503 nitrided (C45)		2	-	4	-
	PKD.D008	Rotary lobe; 2-wings <sup>(3)</sup>	64	1.0503 nitrided (C45)		-	2	-	4

<sup>(1)</sup> max. 6 bar [87 psi], please pay attention to the admissible pressure of pump!

<sup>(2)</sup> Attention! Usable up to 50°C medium temperature, only!

<sup>(3)</sup> + O-ring for solid material lobe

## Solid material lobe

### HiFlo

Pos.	Part number	Description	Dimensions	Note	Qty.	45	64	90	128
51	PKD.D109.TL	Rotary lobe <sup>(3)</sup>	45; 6K15-L HiFlo	1.0503 nitrided (C45)		1	-	2	-
	PKD.D109.TR	Rotary lobe <sup>(3)</sup>	45; 6K15-R HiFlo	1.0503 nitrided (C45)		1	-	2	-
	PKD.D119.TL	Rotary lobe <sup>(3)</sup>	64; 6K15-L HiFlo	1.0503 nitrided (C45)		-	1	-	2
	PKD.D119.TR	Rotary lobe <sup>(3)</sup>	64; 6K15-R HiFlo	1.0503 nitrided (C45)		-	1	-	2
54		Rotary lobe <sup>(3)</sup>	45; 6K15-L HiFloplus	1.0503 nitrided (C45)		-	-	(1)	-
		Rotary lobe <sup>(3)</sup>	45; 6K15-R HiFloplus	1.0503 nitrided (C45)		-	-	(1)	-
		Rotary lobe <sup>(3)</sup>	64; 6K15-L HiFloplus	1.0503 nitrided (C45)		-	-	-	(1)
		Rotary lobe <sup>(3)</sup>	64; 6K15-R HiFloplus	1.0503 nitrided (C45)		-	-	-	(1)
52	DOR.043	O-ring <sup>(5)</sup>	64 x 4	NBR		2	2	4	4
	DOR.043.EP	O-ring <sup>(5)</sup>	64 x 4	EPDM					
	DOR.043.VI	O-ring <sup>(5)</sup>	64 x 4	FPM					
	DOR.043.PT	O-ring <sup>(5)</sup>	64 x 4	MVQ, FEP coated					

<sup>(5)</sup> for solid material lobe



**Accessories**

Pos. 55 + 69

Pos.	Part number	Description	Dimensions	Note	Qty.	45	64	90	128
55	NSR.045	Retaining ring	47 x 1.75	DIN 472		2			
	NSR0001 <sup>(7)</sup>	Retaining ring	55 x 2	DIN 472					
69	NST.030	Plug		Silicone		2			

**Buffer chamber enlargement**

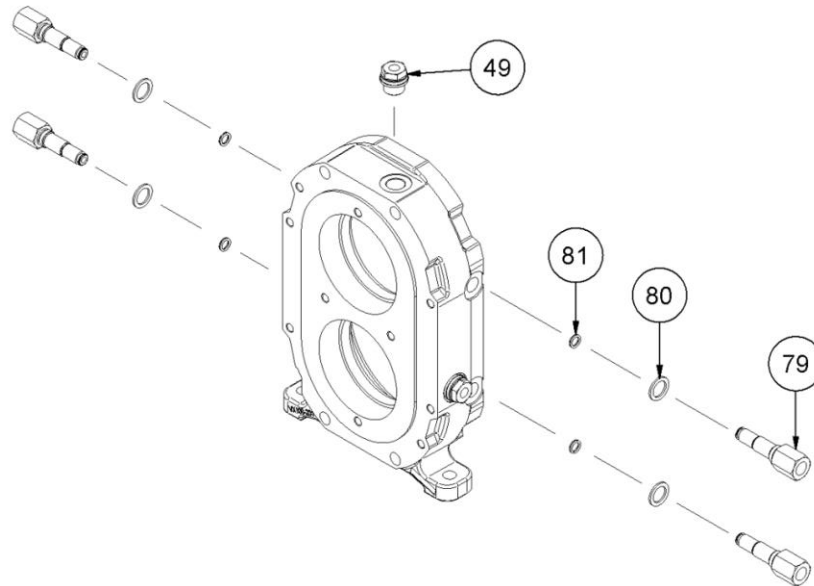
Position 74

Pos.	Part number	Description	Dimensions	Note	Qty.	45	64	90	128
74	PSG.014	Buffer fluid tank		Pressurized		1			
	PSG.014.T1	Quenching fluid tank		Ventilated (Option)					
	PSV.002.N1	Pressure valve		(Option)					

**Option**

**Flushing connector cartridge**

Position 79-81



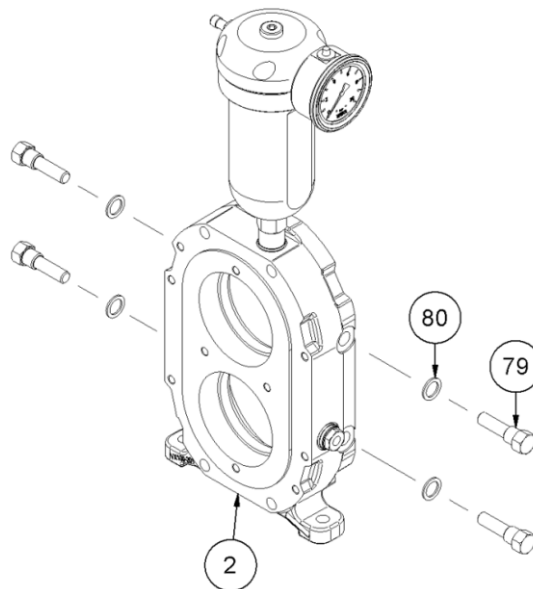
Pos.	Part number	Description	Dimensions	Note	Qty.	45	64	90	128
79	PRS0361	Flushing connector						4	
80	DKR.006	Copper ring	A 14 x 20 x 1.5	DIN 7603				4	
81	DOR.089	O-ring	8 x 2	NBR				4	
	DOR0141	O-ring	8 x 2	FPM					

For cartridge with flushing connector, the buffer chamber enlargement pos. 74 is eliminated!

**Option**

**Locking device Cartridge**

Position 79-80



Pos.	Part number	Description	Dimensions	Note	Qty.	45	64	90	128
79	PRS1199	Locking screw	M 14 x 1,5	1.4571				4	
80	DKR.006	Copper ring	A 14 x 20 x 1,5	DIN 7603				4	

## Installation parts ATEX



Pos. 84-86

Pos.	Part number	Description	Dimensions	Note	Qty.	45	64	90	128
84	PSG.017	Sight glass	M16 x 1.5			1	1	1	1
85	SSS.073.N1	Temperature sensor	PT100			1	1	1	1
86	NMS.002	Hexagon nut	M8	DIN 934-8		1	1	1	1

### Loose parts for ATEX:

	NKS.006	Lifting eye bolt	M12	DIN 580		1	1	1	1
--	---------	------------------	-----	---------	--	---	---	---	---

## Tools

Pos.	Part number	Description	Dimensions	Note	Qty.	45	64	90	128
	PBA.D001.TK.N1	Lobe puller		Short		x	x		
	PBA.D001.TL.N1	Lobe puller		Long				x	x
	WKZ0455	Assembly tool		Cartridge mechanical seal			x		
	PBA0001	Assembly tool		Included in WKZ0455			(1)		
	NSI.155	Cylinder head bolt	M 5 x 12				(2)		
	NSK.155	Hexagon head bolt	M 8 x 80				(3)		
	WKZ0104	Tool box		VX100Q					

## Material for connectors

Pos.	Part number	Description	Dimensions	Note	Qty.	45	64	90	128
	NGS.033	Stud	M6 x 16	DIN 939		20	20	24	24
	NMS.001	Hexagon nut	M6	DIN 934-8		20	20	24	24
	NUS.002	Washer	B 6. x 12 x 1.6	DIN 125		20	20	24	24
	PFL.350	Flange	45			2	-	-	-
	PFL.351	Flange	64			-	2	-	-
	PFL.352	Flange	90			-	-	2	-
	PFL.353	Flange	128			-	-	-	2
	DFD.350.P	Flange gasket	45			2	-	-	-
	DFD.351.P	Flange gasket	64			-	2	-	-
	DFD.352.P	Flange gasket	90			-	-	2	-
	DFD0112	Flange gasket	128			-	-	-	2

## Required spare parts for rotary lobe change

Pos.	Part number	Description	Dimensions	Note	Qty.	45	64	90	128
22	NPF.050	Fitting key	B 14 x 9 x 20	DIN 6885		2	-	-	-
	NPF.022	Fitting key	B 14 x 9 x 35	DIN 6885		-	2	-	-
	NPF.051	Fitting key	B 14 x 9 x 63	DIN 6885		-	-	2	-
	NPF.013	Fitting key	B 14 x 9 x 100	DIN 6885		-	-	-	2
29	NSI.099	Cylinder head bolt	M10 x 70	DIN 6912		2	2	2	2
31	DOR.057	O-ring	188 x 4	NBR		1			
	DOR.057.EP	O-ring	188 x 4	EPDM					
	DOR.057.VI	O-ring	188 x 4	FPM					
	DOR.057.PT	O-ring	188 x 4	MVQ, FEP coated					
32	DOR.056	O-ring	50 x 3	NBR		2			
	DOR.056.EP	O-ring	50 x 3	EPDM					
	DOR.056.VI	O-ring	50 x 3	FPM					
	DOR.056.PT	O-ring	50 x 3	MVQ; FEP coated					
33	DOR.055	O-ring	16 x 2	NBR		2			
	DOR.055.EP	O-ring	16 x 2	EPDM					
	DOR.055.VI	O-ring	16 x 2	FPM					
	DOR.055.PT	O-ring	16 x 2	MVQ; FEP coated					
51-54		Rotary lobe		See page 8 ff					
52	DOR.043	O-ring <sup>(5)</sup>	64 x 4	NBR		2	2	4	4
	DOR.043.EP	O-ring <sup>(5)</sup>	64 x 4	EPDM					
	DOR.043.VI	O-ring <sup>(5)</sup>	64 x 4	FPM					
	DOR.043.PT	O-ring <sup>(5)</sup>	64 x 4	MVQ, FEP coated					
69	NST.030	Plug		Silicone		2			

<sup>(5)</sup> for solid material lobe

## Required spare parts for mechanical seal change

Pos.	Part number	Description	Dimensions	Note	Qty.	45	64	90	128
29	NSI.099	Cylinder head bolt	M10 x 70	DIN 6912					2
31	DOR.057	O-ring	188 x 4	NBR					1
	DOR.057.EP	O-ring	188 x 4	EPDM					
	DOR.057.VI	O-ring	188 x 4	FPM					
	DOR.057.PT	O-ring	188 x 4	MVQ, FEP coated					
32	DOR.056	O-ring	50 x 3	NBR					2
	DOR.056.EP	O-ring	50 x 3	EPDM					
	DOR.056.VI	O-ring	50 x 3	FPM					
	DOR.056.PT	O-ring	50 x 3	MVQ; FEP coated					
33	DOR.055	O-ring	16 x 2	NBR					2
	DOR.055.EP	O-ring	16 x 2	EPDM					
	DOR.055.VI	O-ring	16 x 2	FPM					
	DOR.055.PT	O-ring	16 x 2	MVQ; FEP coated					
69	NST.030	Plug		Silicone					2

### Steel nitrided

23	PBT1520	Cartridge mechanical seal , HD, single-mechanical seal		Duronit <sup>(4)</sup> ; FPM, FPM					2
	PBT1519			SiC; FPM, FPM					
23	PBT.D051	Cartridge mechanical seal block ring Einzel-Gleitringdichtung		WC/SiC; HNBR, HNBR					2
	PBT.D050			CrO/Duronit <sup>(4)</sup> ; HNBR, HNBR					
	PBT0506			CrO/Duronit <sup>(4)</sup> ; FPM, FPM					
	PBT1784			WC/SiC; EPDM, FPM					
	PBT1793			WC/SiC; MVQ, FPM					
	PBT1783			CrO/Duronit <sup>(4)</sup> ; FEPM, FPM					
	PBT1785			CrO/Duronit <sup>(4)</sup> ; EPDM, FPM					
	PBT0167			WC/coal; HNBR, HNBR					
	PBT1788			WC/coal; EPDM, FPM					
	PBT1792			WC/coal; FPM, FPM					
PBT0351		WC/SiC; FPM, FPM							
23	PBT.D051.D	Cartridge mechanical seal block ring double-mechanical seal		WC/SiC; HNBR, NBR					2
	PBT0170			WC/SiC; FPM, FPM					
	PBT.D050.D			CrO/Duronit <sup>(4)</sup> ; HNBR, NBR					
	PBT1775			CrO/Duronit <sup>(4)</sup> ; FPM, FPM					

<sup>(4)</sup> up to 10 bar [145 psi] real operating pressure

Continuation see next page

Pos.	Part number	Description	Dimensions	Note	Qty.	45	64	90	128
<b>1.4571</b>									
23	PBT1388	Cartridge mechanical seal HD, single-mechanical seal		1.4462 SiC; HNBR, HNBR					2
	PBT1794			1.4462 SiC; EPDM, FPM					
	PBT1078			1.4539 SiC; HNBR, HNBR					
	PBT1795			1.4539 SiC; FPM, FPM					
	PBT1389			1.4501 SiC; HNBR, HNBR					
	PBT1796			1.4501 SiC; FEPM, FPM					
	PBT1387			1.4571 SiC; HNBR, HNBR					
23	PBT0104	Cartridge mechanical seal block ring single-mechanical seal		1.4571 WC/SiC; HNBR, HNBR					2
	PBT0593			1.4571 WC/SiC; FPM, HNBR					
	PBT1789			1.4571 WC/SiC; EPDM, FPM					
	PBT1791			1.4462 WC/SiC; EPDM, FPM					
	PBT1624			1.4462 WC/SiC; FPM, FPM					
	PBT0968			1.4571 WC/SiC; FFPM, FPM					
	PBT0584			1.4571 CrO/Duronit; HNBR, HNBR					
	PBT0168			1.4571 WC/coal; HNBR, NBR					
	PBT1786			1.4571 WC/coal; FPM, FPM					
	PBT1782			1.4571 WC/coal; EPDM, FPM					
	PBT0781			1.4462 WC/SiC; HNBR, HNBR					
23	PBT0304	Cartridge mechanical seal block ring double-mechanical seal		1.4571 WC/SiC; HNBR, NBR					2
	PBT0443			1.4571 WC/SiC; FPM, FPM					
	PBT1776 <sup>(9)</sup>			1.4571 WC/SiC; FPM, FPM with flush bore hole <sup>(9)</sup>					

<sup>(4)</sup> up to 10 bar [145 psi] real operating pressure

<sup>(9)</sup> for Cartridge with flushing connector

## Required spare parts for wear part replacement

Pos.	Part number	Description	Dimensions	Note	Qty.	45	64	90	128
22	NPF.050	Fitting key	B 14 x 9 x 20	DIN 6885		2	-	-	-
	NPF.022	Fitting key	B 14 x 9 x 35	DIN 6885		-	2	-	-
	NPF.051	Fitting key	B 14 x 9 x 63	DIN 6885		-	-	2	-
	NPF.013	Fitting key	B 14 x 9 x 100	DIN 6885		-	-	-	2
24	PFL.D021	Wear plate				1	1	1	1
	PFL0009	Wear plate		Tungsten carbide coated					
26	PFL.D003	Wear plate				1	1	1	1
	PFL.D003.G1	Wear plate		Tungsten carbide coated					
29	NSI.099	Cylinder head bolt	M10 x 70	DIN 6912		2			
31	DOR.057	O-ring	188 x 4	NBR		1			
	DOR.057.EP	O-ring	188 x 4	EPDM					
	DOR.057.VI	O-ring	188 x 4	FPM					
	DOR.057.PT	O-ring	188 x 4	MVQ, FEP coated					
32	DOR.056	O-ring	50 x 3	NBR		2			
	DOR.056.EP	O-ring	50 x 3	EPDM					
	DOR.056.VI	O-ring	50 x 3	FPM					
	DOR.056.PT	O-ring	50 x 3	MVQ; FEP coated					
33	DOR.055	O-ring	16 x 2	NBR		2			
	DOR.055.EP	O-ring	16 x 2	EPDM					
	DOR.055.VI	O-ring	16 x 2	FPM					
	DOR.055.PT	O-ring	16 x 2	MVQ; FEP coated					
34	DAD.D003	Gasket, pump housing segment				4			
44	NSK0006	Hexagon head bolt	M8 x 16	DIN 933		2			
45	NSK.193.EE	Hexagon head bolt	M6 x 10	DIN 933		2			
51-54		Rotary lobe		See page 8 ff					
52	DOR.043	O-ring <sup>(5)</sup>	64 x 4	NBR		2 2 4 4			
	DOR.043.EP	O-ring <sup>(5)</sup>	64 x 4	EPDM					
	DOR.043.VI	O-ring <sup>(5)</sup>	64 x 4	FPM					
	DOR.043.PT	O-ring <sup>(5)</sup>	64 x 4	MVQ, FEP coated					
69	NST.030	Plug		Silicone		2			

### Steel nitrided

23	PBT1520	Cartridge mechanical seal , HD, single-mechanical seal		Duronit <sup>(4)</sup> ; FPM, FPM		2			
	PBT1519			SiC; FPM, FPM					
23	PBT.D051	Cartridge mechanical seal block ring Einzel-Gleitringdichtung		WC/SiC; HNBR, HNBR		2			
	PBT.D050			CrO/Duronit <sup>(4)</sup> ; HNBR, HNBR					
	PBT0506			CrO/Duronit <sup>(4)</sup> ; FPM, FPM					
	PBT1784			WC/SiC; EPDM, FPM					
	PBT1793			WC/SiC; MVQ, FPM					
	PBT1783			CrO/Duronit <sup>(4)</sup> ; FEPM, FPM					
	PBT1785			CrO/Duronit <sup>(4)</sup> ; EPDM, FPM					
	PBT0167			WC/coal; HNBR, HNBR					
	PBT1788			WC/coal; EPDM, FPM					
	PBT1792			WC/coal; FPM, FPM					
PBT0351		WC/SiC; FPM, FPM							

<sup>(4)</sup> up to 10 bar [145 psi] real operating pressure

<sup>(5)</sup> for solid material lobe

Continuation see next page

Pos.	Part number	Description	Dimensions	Note	Qty.	45	64	90	128	
<b>Steel nitrided</b>										
23	PBT.D051.D	Cartridge mechanical seal block ring double-mechanical seal		WC/SiC; HNBR, NBR		2				
	PBT0170			WC/SiC; FPM, FPM						
	PBT.D050.D			CrO/Duronit <sup>(4)</sup> ; HNBR, NBR						
	PBT1775			CrO/Duronit <sup>(4)</sup> ; FPM, FPM						
<b>1.4571</b>										
23	PBT1388	Cartridge mechanical seal HD, single-mechanical seal		1.4462 SiC; HNBR, HNBR		2				
	PBT1794			1.4462 SiC; EPDM, FPM						
	PBT1078			1.4539 SiC; HNBR, HNBR						
	PBT1795			1.4539 SiC; FPM, FPM						
	PBT1389			1.4501 SiC; HNBR, HNBR						
	PBT1796			1.4501 SiC; FEPM, FPM						
	PBT1387			1.4571 SiC; HNBR, HNBR						
23	PBT0104	Cartridge mechanical seal block ring single-mechanical seal		1.4571 WC/SiC; HNBR, HNBR		2				
	PBT0593			1.4571 WC/SiC; FPM, HNBR						
	PBT1789			1.4571 WC/SiC; EPDM, FPM						
	PBT1791			1.4462 WC/SiC; EPDM, FPM						
	PBT1624			1.4462 WC/SiC; FPM, FPM						
	PBT0968			1.4571 WC/SiC; FFPM, FPM						
	PBT0584			1.4571 CrO/Duronit; HNBR, HNBR						
	PBT0168			1.4571 WC/coal; HNBR, NBR						
	PBT1786			1.4571 WC/coal; FPM, FPM						
	PBT1782			1.4571 WC/coal; EPDM, FPM						
	PBT0781			1.4462 WC/SiC; HNBR, HNBR						
23	PBT0304	Cartridge mechanical seal block ring double-mechanical seal		1.4571 WC/SiC; HNBR, NBR		2				
	PBT0443			1.4571 WC/SiC; FPM, FPM						
	PBT1776 <sup>(9)</sup>			1.4571 WC/SiC; FPM, FPM with flush bore hole <sup>(9)</sup>						

<sup>(4)</sup> up to 10 bar [145 psi] real operating pressure

<sup>(9)</sup> for Cartridge with flushing connector



# **V**OGELSANG



## **Vogelsang GmbH & Co. KG**

Holthöge 10-14  
49632 Essen/Oldb.

Phone: +49 (0) 54 34 83 0  
Fax: +49 (0) 54 34 83 10

www.vogelsang.info  
info@vogelsang.info

## ENGINEERED TO WORK

**Australien**  
**Vogelsang Pty. Ltd.**  
vogelsang.com.au

**Brasilien**  
**Vogelsang Brasil Ltda.**  
vogelsang.com.br

**China**  
**Vogelsang Mechanical Engineering (Shanghai) Co., Ltd.**  
vogelsang.com.cn

**Dänemark**  
**Vogelsang A/S**  
vogelsang-as.dk

**Deutschland - Niederlassung Ost**  
**Vogelsang Lutherstadt Eisleben**  
vogelsang.info

**Finnland**  
**Vogelsang Oy**  
vogelsang.fi

**Frankreich**  
**Vogelsang France S.A.R.L.**  
vogelsang.fr

**Großbritannien**  
**Vogelsang Ltd.**  
vogelsang.co.uk

**Indien**  
**Vogelsang India Private Limited**  
vogelsangindia.com

**Irland**  
**Vogelsang Ireland**  
vogelsang.ie

**Italien**  
**Vogelsang Italy Srl**  
vogelsang-srl.it

**Malaysia**  
**Vogelsang Malaysia**  
vogelsang.info

**Mexico**  
**Vogelsang De México S.de R.L. de CV**  
vogelsang.mx

**Niederlande**  
**Bos Benelux BV**  
b.bos@bosbenelux.com

**Österreich**  
**Vogelsang Austria GmbH**  
vogelsang-austria.at

**Polen**  
**Vogelsang Poland Sp. z o.o.**  
vogelsang.pl

**Rumänien**  
**Vogelsang Romania SRL**  
vogelsang.ro

**Russland**  
**OOO Vogelsang Russland**  
vogelsang.ru

**Slowenien**  
**VGS TECH GREGOR TURSIC S.P.**  
vogelsang.info

**Schweden**  
**Vogelsang Sverige AB**  
vogelsang.se

**Spanien**  
**Vogelsang S.L.**  
vogelsang.es

**Südkorea**  
**Vogelsang Korea Co., Ltd.**  
vogelsang.co.kr

**Tschechische Republik**  
**Vogelsang CZ s.r.o.**  
vogelsang-czech.cz

**USA**  
**Vogelsang USA Ltd.**  
vogelsangusa.com