

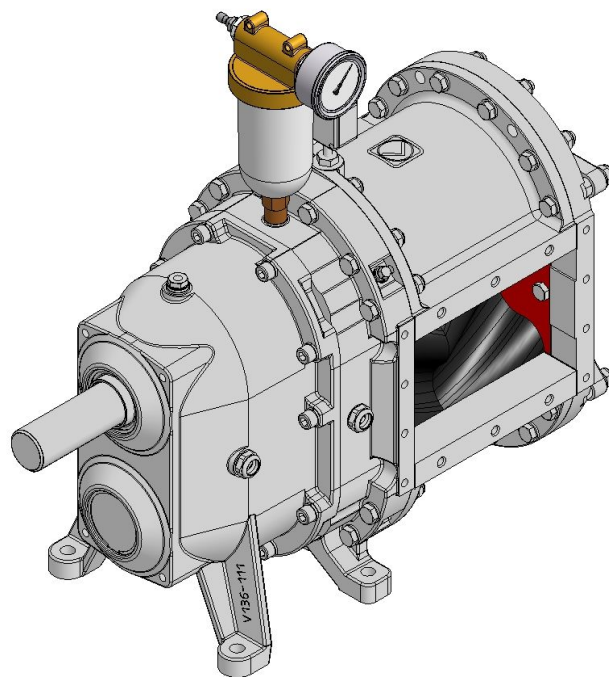


# Spare Parts List

## Explosion-Proof Rotary Lobe Pump

VX136Q

ENGINEERED TO WORK



---

## Issuer

Vogelsang GmbH & Co. KG  
Holthöge 10-14  
49632 Essen/Oldb.

Phone: +49 54 34 83 0  
Fax: +49 54 34 83 10

[www.vogelsang.info](http://www.vogelsang.info)  
[info@vogelsang.info](mailto:info@vogelsang.info)

© 2018 Vogelsang GmbH & Co. KG

### Registered trademarks of Vogelsang

In selected countries, Vogelsang<sup>®</sup>, RotaCut<sup>®</sup>, HiFlo<sup>®</sup>, ACC<sup>®</sup>, CFC<sup>®</sup>, BioCrack<sup>®</sup>, XTill<sup>®</sup>, EnergyJet<sup>®</sup>, BioCut<sup>®</sup>, CC-Serie<sup>®</sup>, PreMix<sup>®</sup>, ProTerra<sup>®</sup>, VarioCrop<sup>®</sup> and XRipper<sup>®</sup> are registered trademarks of Vogelsang GmbH & Co. KG, Essen/Oldb., Germany.

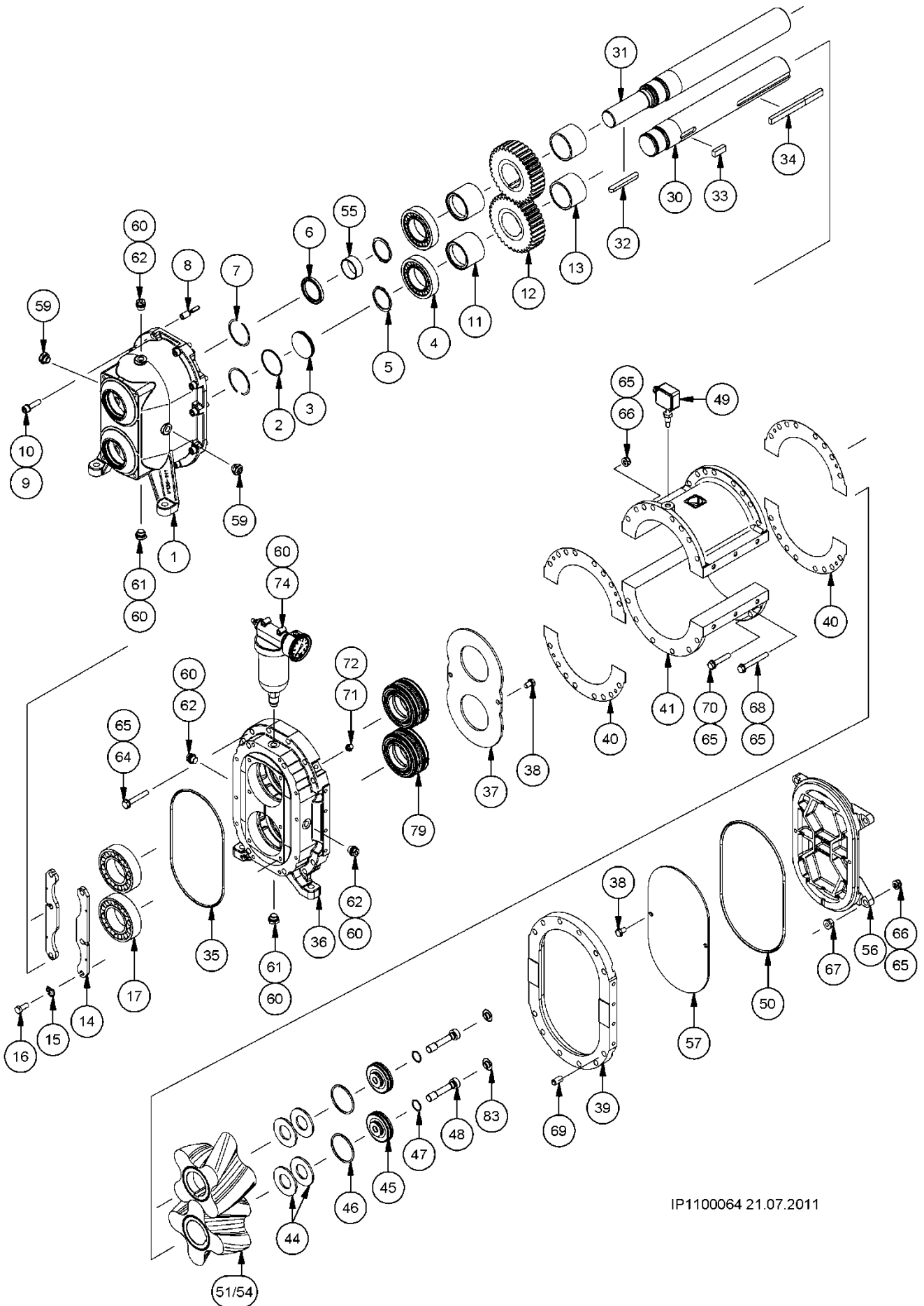
All rights reserved, including graphics and images.

The registered trademarks are not always designated with an <sup>®</sup> symbol in this document.

## Contents

|   |           |
|---|-----------|
| Exploded view .....   | 4         |
| <b>Gearbox housing and accessories .....</b>  | <b>5</b>  |
| Position 1-17 .....   | 5         |
| <b>Motor shaft.....</b>   | <b>5</b>  |
| Position 30-32 .....  | 5         |
| <b>PTO shaft.....</b>   | <b>6</b>  |
| Position 30/ 31 .....   | 6         |
| <b>Fitting key .....</b>  | <b>6</b>  |
| Position 32-34 .....  | 6         |
| <b>Bearing seal housing + accessories .....</b>   | <b>6</b>  |
| Position 35-36 .....  | 6         |
| <b>Wear plate .....</b>   | <b>6</b>  |
| Position 37-38 .....  | 6         |
| <b>Cover flange .....</b>   | <b>6</b>  |
| Position 39 .....   | 6         |
| <b>Gasket for pump housing segment .....</b>  | <b>6</b>  |
| Position 40 .....   | 6         |
| <b>Pump housing segment.....</b>  | <b>7</b>  |
| Position 41 .....   | 7         |
| <b>Injection module pump housing segment without radial wear plate.....</b>                 | <b>8</b>  |
| Position 41 .....   | 8         |
| <b>Injection module pump housing segment with radial wear plate .....</b>                   | <b>9</b>  |
| Position 41 .....   | 9         |
| <b>Hexagon nut .....</b>  | <b>10</b> |
| Position 42 .....   | 10        |
| <b>Preload .....</b>  | <b>10</b> |
| Position 44-48 .....  | 10        |
| <b>Temperature sensor.....</b>  | <b>11</b> |
| Position 49 .....   | 11        |
| <b>O-ring .....</b>   | <b>11</b> |
| Position 50 .....   | 11        |
| <b>Rotary lobes .....</b>   | <b>11</b> |
| <b>HiFlo .....</b>  | <b>11</b> |
| Position 51+54 .....  | 11        |
| <b>Rotary lobes; bi-lobe.....</b>   | <b>14</b> |
| Position 51 .....   | 14        |
| <b>Solid material lobe .....</b>  | <b>15</b> |
| <b>HiFlo .....</b>  | <b>15</b> |
| Position 51+54 .....  | 15        |
| <b>O-ring for solid material rotary lobes .....</b>   | <b>15</b> |
| Position 52-53 .....  | 15        |
| <b>Cover and accessories .....</b>  | <b>16</b> |
| Position 55-57 .....  | 16        |
| <b>Bolts and accessories .....</b>  | <b>16</b> |
| Position 59-73 .....  | 16        |
| <b>Buffer chamber enlargement .....</b>   | <b>16</b> |
| Position 74 .....   | 16        |
| <b>Cartridge mechanical seal.....</b>   | <b>17</b> |
| Pos. 79.....  | 17        |
| <b>"Loose parts" for Cartridge mechanical seal .....</b>                                    | <b>18</b> |
| <b>Accessories.....</b>   | <b>18</b> |
| Position 83 .....   | 18        |
| <b>Option: Intermediate flange.....</b>   | <b>19</b> |
| Position 75-78 .....  | 19        |
| <b>Operating material .....</b>   | <b>20</b> |
| <b>Tools.....</b>   | <b>20</b> |
| <b>Material for connectors.....</b>   | <b>20</b> |
| <b>Required spare parts for rotary lobe change.....</b>                                     | <b>21</b> |
| <b>Necessary spare parts for Cartridge mechanical seal change .....</b>                     | <b>22</b> |
| <b>Necessary spare parts for wear part replacement with Cartridge mechanical seal .....</b> | <b>23</b> |

Exploded view



IP1100064 21.07.2011

## Gearbox housing and accessories

### Position 1-17

| Pos. | Part number | Description                   | Dimensions | Notes                | Qty. | 70 | 105 | 140 | 210 |
|------|-------------|-------------------------------|------------|----------------------|------|----|-----|-----|-----|
| 1    | PGP.B111.T1 | Gearbox housing               |            |                      |      | 1  | 1   | 1   | 1   |
|      | PGP.B111.T3 | Gearbox housing               |            | For hydraulic motor  |      |    |     |     |     |
| 2    | DOR.086     | O-ring                        | 59 x 3     | NBR; for motor shaft |      | 1  | 1   | 1   | 1   |
|      | DOR.086.VI  | O-ring                        | 59 x 3     | FPM; for motor shaft |      |    |     |     |     |
| 3    | PRS.B108    | Plug disk for gearbox housing |            | For motor shaft      |      | 1  | 1   | 1   | 1   |
| 4    | NLG.029     | Cylindrical roller bearing    | ø55 x ø100 |                      |      | 2  | 2   | 2   | 2   |
| 5    | NSR.010     | Retaining ring                | AS 55 x 3  | DIN 471              |      | 2  | 2   | 2   | 2   |

#### For motor shaft

|   |             |                        |             |      |  |   |   |   |   |
|---|-------------|------------------------|-------------|------|--|---|---|---|---|
| 6 | DWD.060.HNB | Radial shaft seal ring | 50 x 65 x 7 | HNBR |  | 1 | 1 | 1 | 1 |
|   | DWD.058.VI  | Radial shaft seal ring | 50 x 65 x 7 | FPM  |  |   |   |   |   |

#### For PTO shaft

|    |             |                          |                 |                  |  |    |    |    |    |
|----|-------------|--------------------------|-----------------|------------------|--|----|----|----|----|
| 6  | DWD.060.HNB | Radial shaft seal ring   | 50 x 65 x 7     | HNBR             |  | 2  | 2  | 2  | 2  |
|    | DWD.058.VI  | Radial shaft seal ring   | 50 x 65 x 7     | FPM              |  |    |    |    |    |
| 7  | NSR.034     | Multi-disc ring          | 65 x 3.8 x 0.82 |                  |  | 2  | 2  | 2  | 2  |
| 8  | NSP.023     | Spring pin               | 13 x 22         | ISO 8752         |  | 4  | 4  | 4  | 4  |
|    | NSP.025     | Spring pin               | 8 x 24          | ISO 8752         |  |    |    |    |    |
| 9  | NFR.003     | Lock washer              | ø10             | DIN 127          |  | 14 | 10 | 10 | 10 |
| 10 | NSI.001     | Cylinder head bolt       | M10 x 40        | DIN 912          |  | 10 | 10 | 10 | 10 |
| 11 | PRS.B006    | Spacer sleeve            |                 | Floating bearing |  | 2  | 2  | 2  | 2  |
| 12 | PZH.003     | Gear                     |                 |                  |  | 2  | 2  | 2  | 2  |
| 13 | PRS.B005    | Distance sleeve          |                 | Fixed bearing    |  | 2  | 2  | 2  | 2  |
| 14 | PFL.B010    | Fixing sheet for bearing |                 |                  |  | 2  | 2  | 2  | 2  |
| 15 | NUS.066     | Locking washer           | 10.5 mm         | DIN 432          |  | 6  | 6  | 6  | 6  |
| 16 | NSK.027     | Hexagon head bolt        | M10 x 25        | DIN 933          |  | 6  | 6  | 6  | 6  |
| 17 | NLG.026     | Spherical roller bearing | 22212 E1        |                  |  | 2  | 2  | 2  | 2  |
|    | NLG.026.T1  | Spherical roller bearing | 22212 E         | (Option)         |  |    |    |    |    |

## Motor shaft

### Position 30-32

| Pos. | Part number  | Description                 | Dimensions     | Notes | Qty. | 70 | 105 | 140 | 210 |
|------|--------------|-----------------------------|----------------|-------|------|----|-----|-----|-----|
| 30   | PWQ.105.N1   | Motor shaft                 | VX136-70-MK-Q  | Short |      | 1  | -   | -   | -   |
|      | PWQ.106.N1   | Motor shaft                 | VX136-105-MK-Q | Short |      | -  | 1   | -   | -   |
|      | PWQ.107.N1   | Motor shaft                 | VX136-140-MK-Q | Short |      | -  | -   | 1   | -   |
|      | PWQ.108.N1   | Motor shaft                 | VX136-210-MK-Q | Short |      | -  | -   | -   | 1   |
| 31   | PWQ.101.N1   | Motor shaft                 | VX136-70-ML-Q  | Long  |      | 1  | -   | -   | -   |
|      | PWQ.102.N1   | Motor shaft                 | VX136-105-ML-Q | Long  |      | -  | 1   | -   | -   |
|      | PWQ.103.N1   | Motor shaft                 | VX136-140-ML-Q | Long  |      | -  | -   | 1   | -   |
|      | PWQ.104.N1   | Motor shaft                 | VX136-210-ML-Q | Long  |      | -  | -   | -   | 1   |
|      | PWQ.105.N1.H | Hollow shaft <sup>(7)</sup> | VX136-70-MH-Q  |       |      | 1  | -   | -   | -   |
|      | PWQ.106.N1.H | Hollow shaft <sup>(7)</sup> | VX136-105-MH-Q |       |      | -  | 1   | -   | -   |
|      | PWQ.107.N1.H | Hollow shaft <sup>(7)</sup> | VX136-140-MH-Q |       |      | -  | -   | 1   | -   |
|      | PWQ.108.N1.H | Hollow shaft <sup>(7)</sup> | VX136-210-MH-Q |       |      | -  | -   | -   | 1   |

<sup>(7)</sup> for hydraulic motor

**PTO shaft****Position 30/ 31**

| Pos.  | Part number | Description | Dimensions    | Notes | Qty. | 70 | 105 | 140 | 210 |
|-------|-------------|-------------|---------------|-------|------|----|-----|-----|-----|
| 30/31 | PWQ.109.N1  | PTO shaft   | VX136-70-S-Q  |       |      | 2  | -   | -   | -   |
|       | PWQ.110.N1  | PTO shaft   | VX136-105-S-Q |       |      | -  | 2   | -   | -   |
|       | PWQ.111.N1  | PTO shaft   | VX136-140-S-Q |       |      | -  | -   | 2   | -   |
|       | PWQ.112.N1  | PTO shaft   | VX136-210-S-Q |       |      | -  | -   | -   | 2   |

**Fitting key****Position 32-34**

| Pos. | Part number | Description | Dimensions     | Notes                | Qty. | 70 | 105 | 140 | 210 |
|------|-------------|-------------|----------------|----------------------|------|----|-----|-----|-----|
| 32   | NPF.046     | Fitting key | A 12 x 8 x 90  | For motor shaft long |      | 1  | 1   | 1   | 1   |
| 33   | NPF.022     | Fitting key | B 14 x 9 x 35  | DIN 6885             |      | 2  | 2   | 2   | 2   |
| 34   | NPF.010     | Fitting key | B 14 x 9 x 28  |                      |      | 2  | -   | -   | -   |
|      | NPF.011     | Fitting key | B 14 x 9 x 56  |                      |      | -  | 2   | -   | 2   |
|      | NPF.012     | Fitting key | B 14 x 9 x 110 |                      |      | -  | -   | -   | 2   |
|      | NPF.013     | Fitting key | B 14 x 9 x 100 |                      |      | -  | -   | 2   | -   |

**Bearing seal housing + accessories****Position 35-36**

| Pos. | Part number | Description          | Dimensions | Notes   | Qty. | 70 | 105 | 140 | 210 |
|------|-------------|----------------------|------------|---|------|----|-----|-----|-----|
| 35   | DOR.035     | O-ring               | 245 x 5    | NBR   |      | 1  | 1   | 1   | 1   |
|      | DOR.035.VI  | O-ring               | 245 x 5    | FPM   |      |    |     |     |     |
| 36   | PGP.B110.T1 | Bearing seal housing |            |   |      | 1  | 1   | 1   | 1   |
|      | PGP.B110.T2 | Bearing seal housing |            | Option:<br>intermediate flange/<br>radial labyrinth |      |    |     |     |     |

**Wear plate****Position 37-38**

| Pos. | Part number | Description       | Dimensions | Notes                   | Qty. | 70 | 105 | 140 | 210 |
|------|-------------|-------------------|------------|-------------------------|------|----|-----|-----|-----|
| 37   | PFL.B009    | Wear plate        |            |                         |      | 1  | 1   | 1   | 1   |
|      | PFL.B009.G1 | Wear plate        |            | Tungsten carbide coated |      |    |     |     |     |
| 38   | NSK.025.EE  | Hexagon head bolt | M10 x 16   | DIN 933                 |      | 4  | 4   | 4   | 4   |

**Cover flange****Position 39**

| Pos. | Part number | Description  | Dimensions | Notes | Qty. | 70 | 105 | 140 | 210 |
|------|-------------|--------------|------------|-------|------|----|-----|-----|-----|
| 39   | PGP.B004    | Cover flange |            |       |      | 1  | 1   | 1   | 1   |

**Gasket for pump housing segment****Position 40**

| Pos. | Part number | Description | Dimensions | Notes         | Qty. | 70 | 105 | 140 | 210 |
|------|-------------|-------------|------------|---------------|------|----|-----|-----|-----|
| 40   | DAD.007     | Gasket      |            | Asbestos-free |      | 4  | 4   | 4   | 4   |

## Pump housing segment

### Position 41

| Pos. | Part number | Description | Dimensions | Notes | Qty. | 70 | 105 | 140 | 210 |
|------|-------------|-------------|------------|-------|------|----|-----|-----|-----|
|------|-------------|-------------|------------|-------|------|----|-----|-----|-----|



|    |            |                      |     |                                |  |   |   |   |   |
|----|------------|----------------------|-----|--------------------------------|--|---|---|---|---|
| 41 | PGP.015    | Pump housing segment | 70  | 0.6025                         |  | 2 | - | - | - |
|    | PGP.100    | Pump housing segment | 105 | 0.6025                         |  | - | 2 | - | - |
|    | PGP.013    | Pump housing segment | 140 | 0.6025                         |  | - | - | 2 | - |
|    | PGP.014    | Pump housing segment | 210 | 0.6025                         |  | - | - | - | 2 |
|    | PGP.015.G1 | Pump housing segment | 70  | 0.6025 tungsten carbide coated |  | 2 | - | - | - |
|    | PGP.100.G1 | Pump housing segment | 105 | 0.6025 tungsten carbide coated |  | - | 2 | - | - |
|    | PGP.013.G1 | Pump housing segment | 140 | 0.6025 tungsten carbide coated |  | - | - | 2 | - |
|    | PGP.014.G1 | Pump housing segment | 210 | 0.6025 tungsten carbide coated |  | - | - | - | 2 |
|    | PGP.015.G2 | Pump housing segment | 70  | EN-JS-1100 (ADI)               |  | 2 | - | - | - |
|    | PGP.100.G2 | Pump housing segment | 105 | EN-JS-1100 (ADI)               |  | - | 2 | - | - |
|    | PGP.013.G2 | Pump housing segment | 140 | EN-JS-1100 (ADI)               |  | - | - | 2 | - |
|    | PGP.014.G2 | Pump housing segment | 210 | EN-JS-1100 (ADI)               |  | - | - | - | 2 |



### Injection A

|    |         |                      |     |                                |  |   |   |   |   |
|----|---------|----------------------|-----|--------------------------------|--|---|---|---|---|
| 41 | PGP0084 | Pump housing segment | 70  | 0.6025                         |  | 2 | - | - | - |
|    | PGP0085 | Pump housing segment | 105 | 0.6025                         |  | - | 2 | - | - |
|    | PGP0081 | Pump housing segment | 140 | 0.6025                         |  | - | - | 2 | - |
|    | PGP0083 | Pump housing segment | 210 | 0.6025                         |  | - | - | - | 2 |
|    | PGP0198 | Pump housing segment | 70  | 0.6025 tungsten carbide coated |  | 2 | - | - | - |
|    | PGP0119 | Pump housing segment | 105 | 0.6025 tungsten carbide coated |  | - | 2 | - | - |
|    | PGP0121 | Pump housing segment | 140 | 0.6025 tungsten carbide coated |  | - | - | 2 | - |
|    | PGP0109 | Pump housing segment | 70  | EN-JS-1110 (ADI)               |  | 2 | - | - | - |
|    | PGP0107 | Pump housing segment | 105 | EN-JS-1110 (ADI)               |  | - | 2 | - | - |
|    | PGP0110 | Pump housing segment | 140 | EN-JS-1110 (ADI)               |  | - | - | 2 | - |
|    | PGP0111 | Pump housing segment | 210 | EN-JS-1110 (ADI)               |  | - | - | - | 2 |

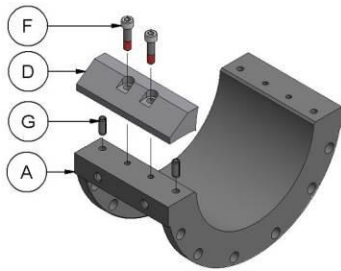


### Injection S

|    |             |                      |     |                                |  |   |   |   |   |
|----|-------------|----------------------|-----|--------------------------------|--|---|---|---|---|
| 41 | PGP.B122    | Pump housing segment | 70  | 0.6025                         |  | 2 | - | - | - |
|    | PGP.B123    | Pump housing segment | 105 | 0.6025                         |  | - | 2 | - | - |
|    | PGP.B120    | Pump housing segment | 140 | 0.6025                         |  | - | - | 2 | - |
|    | PGP.B121    | Pump housing segment | 210 | 0.6025                         |  | - | - | - | 2 |
|    | PGP.B122.G1 | Pump housing segment | 70  | 0.6025 tungsten carbide coated |  | 2 | - | - | - |
|    | PGP.B123.G1 | Pump housing segment | 105 | 0.6025 tungsten carbide coated |  | - | 2 | - | - |
|    | PGP.B120.G1 | Pump housing segment | 140 | 0.6025 tungsten carbide coated |  | - | - | 2 | - |
|    | PGP.B121.G1 | Pump housing segment | 210 | 0.6025 tungsten carbide coated |  | - | - | - | 2 |
|    | PGP.B122.G2 | Pump housing segment | 70  | EN-JS-1110 (ADI)               |  | 2 | - | - | - |
|    | PGP.B123.G2 | Pump housing segment | 105 | EN-JS-1110 (ADI)               |  | - | 2 | - | - |
|    | PGP.B120.G2 | Pump housing segment | 140 | EN-JS-1110 (ADI)               |  | - | - | 2 | - |
|    | PGP.B121.G2 | Pump housing segment | 210 | EN-JS-1110 (ADI)               |  | - | - | - | 2 |

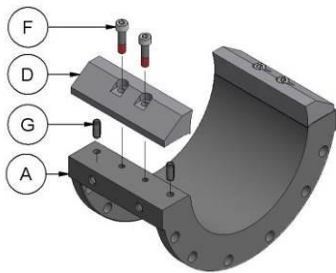
## Injection module pump housing segment without radial wear plate

Position 41



### Injection A

| Pos. | Part number | Description          | Dimensions   | Notes     | Qty. | 70 | 105 | 140 | 210 |
|------|-------------|----------------------|--------------|-----------|------|----|-----|-----|-----|
| A    | PGP0302     | Pump housing segment | 70           |           |      | 2  | -   | -   | -   |
|      | PGP0300     | Pump housing segment | 105          |           |      | -  | 2   | -   | -   |
|      | PGP0298     | Pump housing segment | 140          |           |      | -  | -   | 2   | -   |
|      | PGP0304     | Pump housing segment | 210          |           |      | -  | -   | -   | 2   |
| D    | PGP1023     | Injection Modul      | 70           |           |      | 2  | -   | -   | -   |
|      | PGP1024     | Injection Modul      | 105          |           |      | -  | 2   | -   | -   |
|      | PGP1025     | Injection Modul      | 140          |           |      | -  | -   | 2   | -   |
|      | PGP1026     | Injection Modul      | 210          |           |      | -  | -   | -   | 2   |
| F    | NSI0207     | Cylinder head bolt   | M 8 x 30 mm  | ISO 4762  |      | 4  | 4   | 4   | 4   |
| G    | NSP0019     | Spring pin           | 8 mm x 20 mm | ISO 13337 |      | 4  | 4   | 4   | 4   |



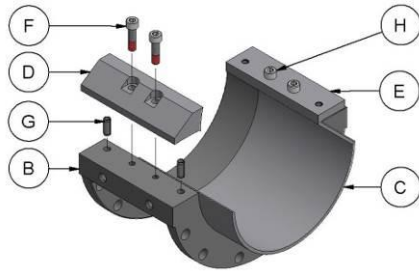
### Injection S

| Pos. | Part number | Description          | Dimensions   | Notes     | Qty. | 70 | 105 | 140 | 210 |
|------|-------------|----------------------|--------------|-----------|------|----|-----|-----|-----|
| A    | PGP0302     | Pump housing segment | 70           |           |      | 2  | -   | -   | -   |
|      | PGP0300     | Pump housing segment | 105          |           |      | -  | 2   | -   | -   |
|      | PGP0298     | Pump housing segment | 140          |           |      | -  | -   | 2   | -   |
|      | PGP0304     | Pump housing segment | 210          |           |      | -  | -   | -   | 2   |
| D    | PGP1023     | Injection Modul      | 70           |           |      | 4  | -   | -   | -   |
|      | PGP1024     | Injection Modul      | 105          |           |      | -  | 4   | -   | -   |
|      | PGP1025     | Injection Modul      | 140          |           |      | -  | -   | 4   | -   |
|      | PGP1026     | Injection Modul      | 210          |           |      | -  | -   | -   | 4   |
| F    | NSI0207     | Cylinder head bolt   | M 8 x 30 mm  | ISO 4762  |      | 8  | 8   | 8   | 8   |
| G    | NSP0019     | Spring pin           | 8 mm x 20 mm | ISO 13337 |      | 8  | 8   | 8   | 8   |



## Injection module pump housing segment with radial wear plate

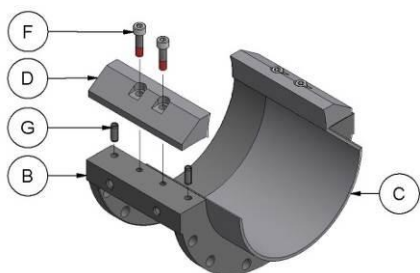
Position 41



### Injection A

| Pos. | Part number | Description          | Dimensions   | Notes             | Qty. | 70 | 105 | 140 | 210 |
|------|-------------|----------------------|--------------|-------------------|------|----|-----|-----|-----|
| B    | PGP0303     | Pump housing segment | 70           | Radial wear plate |      | 2  | -   | -   | -   |
|      | PGP0301     | Pump housing segment | 105          | Radial wear plate |      | -  | 2   | -   | -   |
|      | PGP0299     | Pump housing segment | 140          | Radial wear plate |      | -  | -   | 2   | -   |
|      | PGP0305     | Pump housing segment | 210          | Radial wear plate |      | -  | -   | -   | 2   |
| C    | PFL0145     | Wear plate           | 70           | Radial            |      | 2  | -   | -   | -   |
|      | PFL0147     | Wear plate           | 105          | Radial            |      | -  | 2   | -   | -   |
|      | RFL3943     | Wear plate           | 140          | Radial            |      | -  | -   | 2   | -   |
|      | PFL0148     | Wear plate           | 210          | Radial            |      | -  | -   | -   | 2   |
| D    | PGP1023     | Injection Modul      | 70           |                   |      | 2  | -   | -   | -   |
|      | PGP1024     | Injection Modul      | 105          |                   |      | -  | 2   | -   | -   |
|      | PGP1025     | Injection Modul      | 140          |                   |      | -  | -   | 2   | -   |
|      | PGP1026     | Injection Modul      | 210          |                   |      | -  | -   | -   | 2   |
| E    | PGP0556     | Module, straight     | 70           |                   |      | 2  | -   | -   | -   |
|      | PGP0557     | Module, straight     | 105          |                   |      | -  | 2   | -   | -   |
|      | PGP0558     | Module, straight     | 140          |                   |      | -  | -   | 2   | -   |
|      | PGP0559     | Module, straight     | 210          |                   |      | -  | -   | -   | 2   |
| F    | NSI0207     | Cylinder head bolt   | M 8 x 30 mm  | ISO 4762          |      | 4  | 4   | 4   | 4   |
| G    | NSP0019     | Spring pin           | 8 mm x 20 mm | ISO 13337         |      | 8  | 8   | 8   | 8   |
| H    | NSI0206     | Cylinder head bolt   | M 8 x 20 mm  | ISO 4762          |      | 4  | 4   | 4   | 4   |

Continuation see next page



### Injection S

| Pos. | Part number | Description          | Dimensions   | Notes             | Qty. | 70 | 105 | 140 | 210 |
|------|-------------|----------------------|--------------|-------------------|------|----|-----|-----|-----|
| B    | PGP0303     | Pump housing segment | 70           | Radial wear plate |      | 2  | -   | -   | -   |
|      | PGP0301     | Pump housing segment | 105          | Radial wear plate |      | -  | 2   | -   | -   |
|      | PGP0299     | Pump housing segment | 140          | Radial wear plate |      | -  | -   | 2   | -   |
|      | PGP0305     | Pump housing segment | 210          | Radial wear plate |      | -  | -   | -   | 2   |
| C    | PFL0145     | Wear plate           | 70           | Radial            |      | 2  | -   | -   | -   |
|      | PFL0147     | Wear plate           | 105          | Radial            |      | -  | 2   | -   | -   |
|      | RFL3943     | Wear plate           | 140          | Radial            |      | -  | -   | 2   | -   |
|      | PFL0148     | Wear plate           | 210          | Radial            |      | -  | -   | -   | 2   |
| D    | PGP1023     | Injection Modul      | 70           |                   |      | 4  | -   | -   | -   |
|      | PGP1024     | Injection Modul      | 105          |                   |      | -  | 4   | -   | -   |
|      | PGP1025     | Injection Modul      | 140          |                   |      | -  | -   | 4   | -   |
|      | PGP1026     | Injection Modul      | 210          |                   |      | -  | -   | -   | 4   |
| F    | NSI0207     | Cylinder head bolt   | M 8 x 30 mm  | ISO 4762          |      | 8  | 8   | 8   | 8   |
| G    | NSP0019     | Spring pin           | 8 mm x 20 mm | ISO 13337         |      | 8  | 8   | 8   | 8   |

### Hexagon nut

#### Position 42

| Pos. | Part number | Description | Dimensions | Notes | Qty. | 70 | 105 | 140 | 210 |
|------|-------------|-------------|------------|-------|------|----|-----|-----|-----|
| 42   | NMS.003     | Hexagon nut | M10        |       |      | 4  | -   | -   | -   |

### Preload

#### Position 44-48

| Pos. | Part number | Description   | Dimensions  | Notes               | Qty. | 70 | 105 | 140 | 210 |
|------|-------------|---------------|-------------|---------------------|------|----|-----|-----|-----|
| 44   | NTF.002     | Spring washer | 71 x 36 x 4 | DIN 2093            |      | 4  | 4   | 4   | 4   |
| 45   | PRS.B008.N1 | Pressure disk |             |                     |      | 2  | 2   | 2   | 2   |
| 46   | DOR.043     | O-ring        | 64 x 4      | NBR                 |      | 2  | 2   | 2   | 2   |
|      | DOR.043.EP  | O-ring        | 64 x 4      | EPDM                |      |    |     |     |     |
|      | DOR.043.VI  | O-ring        | 64 x 4      | FPM                 |      |    |     |     |     |
|      | DOR.043.PT  | O-ring        | 64 x 4      | Silicone FEP coated |      |    |     |     |     |
| 47   | DOR.021     | O-ring        | 24 x 3      | NBR                 |      | 2  | 2   | 2   | 2   |
|      | DOR.021.EP  | O-ring        | 24 x 3      | EPDM                |      |    |     |     |     |
|      | DOR.021.VI  | O-ring        | 24 x 3      | FPM                 |      |    |     |     |     |
|      | DOR.021.PT  | O-ring        | 24 x 3      | Silicone FEP coated |      |    |     |     |     |
| 48   | PRS.102     | Strain bolt   | M16         |                     |      | 2  | 2   | 2   | 2   |

## Temperature sensor

### Position 49

| Pos. | Part number | Description        | Dimensions | Notes                     | Qty. | 70 | 105 | 140 | 210 |
|------|-------------|--------------------|------------|---------------------------|------|----|-----|-----|-----|
| 49   | SSS.073.N1  | Temperature sensor | PT100      |                           |      | 1  | 1   | 1   | 1   |
|      | PRS.128     | Reducing screw     |            | M12 outside/<br>M8 inside |      | 1  | 1   | 1   | 1   |

### Loose parts for ATEX:

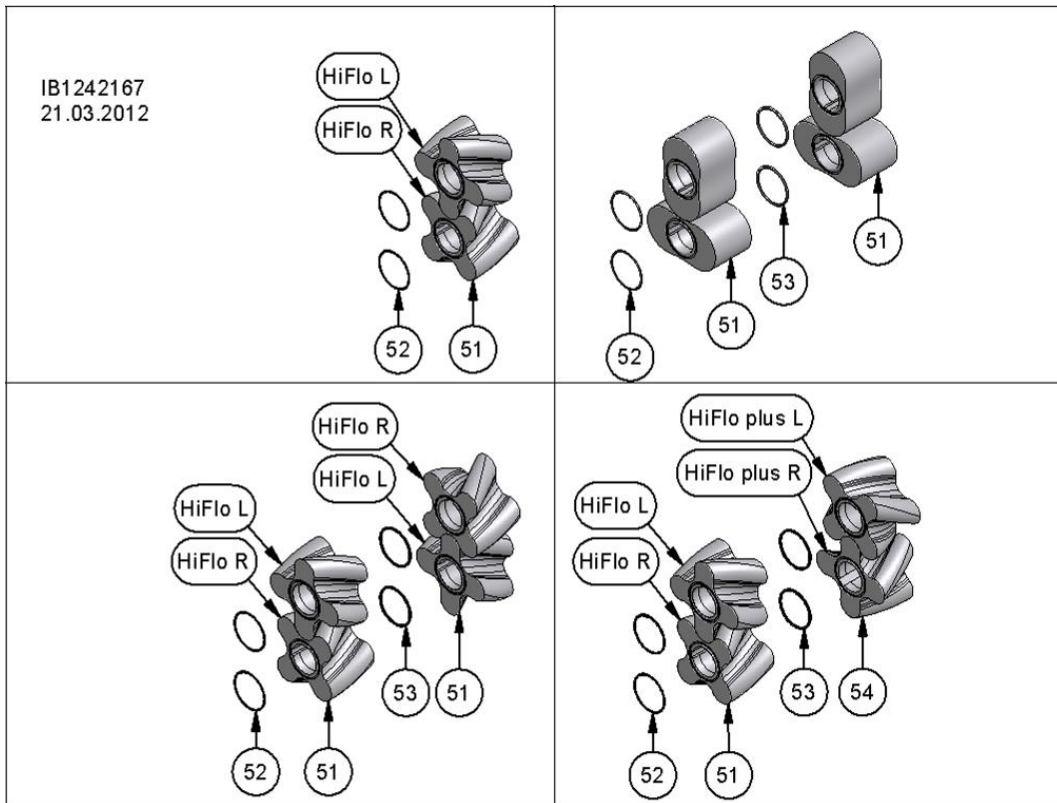
|  |         |                  |     |         |  |   |   |   |   |
|--|---------|------------------|-----|---------|--|---|---|---|---|
|  | NKS.006 | Lifting eye bolt | M12 | DIN 580 |  | 1 | 1 | 1 | 1 |
|--|---------|------------------|-----|---------|--|---|---|---|---|

## O-ring

### Position 50

| Pos. | Part number | Description | Dimensions | Notes               | Qty. | 70 | 105 | 140 | 210 |
|------|-------------|-------------|------------|---------------------|------|----|-----|-----|-----|
| 50   | DOR.051     | O-ring      | 280 x 6    | NBR                 |      | 1  | 1   | 1   | 1   |
|      | DOR.051.EP  | O-ring      | 280 x 6    | EPDM                |      |    |     |     |     |
|      | DOR.051.VI  | O-ring      | 280 x 6    | FPM                 |      |    |     |     |     |
|      | DOR.051.PT  | O-ring      | 280 x 6    | Silicone FEP coated |      |    |     |     |     |

## Rotary lobes



## HiFlo

### Position 51+54

### HiFlo SBR

| Pos. | Part number | Description | Dimensions           | Notes | Qty. | 70 | 105 | 140 | 210      |
|------|-------------|-------------|----------------------|-------|------|----|-----|-----|----------|
| 51   | PKB.B101.TL | Rotary lobe | 70-4K45-L            | SBR   |      | 1  | -   | -   | -        |
|      | PKB.B101.TR | Rotary lobe | 70-4K45-R            | SBR   |      | 1  | -   | -   | -        |
|      | PKB.B102.TL | Rotary lobe | 105-4K45-L           | SBR   |      | -  | 1   | -   | 2<br>(1) |
|      | PKB.B102.TR | Rotary lobe | 105-4K45-R           | SBR   |      | -  | 1   | -   | 2<br>(1) |
|      | PKB.B103.TL | Rotary lobe | 140-4K45-L           | SBR   |      | -  | -   | 1   | -        |
|      | PKB.B103.TR | Rotary lobe | 140-4K45-R           | SBR   |      | -  | -   | 1   | -        |
| 54   |             | Rotary lobe | 105-4K45-L HiFloplus | SBR   |      | -  | -   | -   | (1)      |
|      |             | Rotary lobe | 105-4K45-R HiFloplus | SBR   |      | -  | -   | -   | (1)      |

( ) quantity for HiFlo plus

## HiFlo NBR

| Pos. | Part number     | Description | Dimensions           | Notes     | Qty. | 70 | 105 | 140 | 210      |
|------|-----------------|-------------|----------------------|-----------|------|----|-----|-----|----------|
| 51   | PKB.B101.TL.NB  | Rotary lobe | 70-4K45-L            | NBR       |      | 1  | -   | -   | -        |
|      | PKB.B101.TR.NB  | Rotary lobe | 70-4K45-R            | NBR       |      | 1  | -   | -   | -        |
|      | PKB.B102.TL.NB  | Rotary lobe | 105-4K45-L           | NBR       |      | -  | 1   | -   | 2<br>(1) |
|      | PKB.B102.TR.NB  | Rotary lobe | 105-4K45-R           | NBR       |      | -  | 1   | -   | 2<br>(1) |
|      | PKB.B103.TL.NB  | Rotary lobe | 140-4K45-L           | NBR       |      | -  | -   | 1   | -        |
|      | PKB.B103.TR.NB  | Rotary lobe | 140-4K45-R           | NBR       |      | -  | -   | 1   | -        |
| 51   | PKB.B101.TL.NBW | Rotary lobe | 70-4K45-L            | NBR white |      | 1  | -   | -   | -        |
|      | PKB.B101.TR.NBW | Rotary lobe | 70-4K45-R            | NBR white |      | 1  | -   | -   | -        |
|      | PKB.B102.TL.NBW | Rotary lobe | 105-4K45-L           | NBR white |      | -  | 1   | -   | 2<br>(1) |
|      | PKB.B102.TR.NBW | Rotary lobe | 105-4K45-R           | NBR white |      | -  | 1   | -   | 2<br>(1) |
|      | PKB.B103.TL.NBW | Rotary lobe | 140-4K45-L           | NBR white |      | -  | -   | 1   | -        |
|      | PKB.B103.TR.NBW | Rotary lobe | 140-4K45-R           | NBR white |      | -  | -   | 1   | -        |
| 54   | PKB0011         | Rotary lobe | 105-4K45-L HiFloplus | NBR       |      | -  | -   | -   | (1)      |
|      | PKB0012         | Rotary lobe | 105-4K45-R HiFloplus | NBR       |      | -  | -   | -   | (1)      |
|      |                 | Rotary lobe | 105-4K45-L HiFloplus | NBR white |      | -  | -   | -   | (1)      |
|      |                 | Rotary lobe | 105-4K45-R HiFloplus | NBR white |      | -  | -   | -   | (1)      |

## HiFlo EPDM

| Pos. | Part number     | Description | Dimensions           | Notes      | Qty. | 70 | 105 | 140 | 210      |
|------|-----------------|-------------|----------------------|------------|------|----|-----|-----|----------|
| 51   | PKB.B101.TL.SL  | Rotary lobe | 70-4K45-L            | EPDM-SL    |      | 1  | -   | -   | -        |
|      | PKB.B101.TR.SL  | Rotary lobe | 70-4K45-R            | EPDM-SL    |      | 1  | -   | -   | -        |
|      | PKB.B102.TL.SL  | Rotary lobe | 105-4K45-L           | EPDM-SL    |      | -  | 1   | -   | 2<br>(1) |
|      | PKB.B102.TR.SL  | Rotary lobe | 105-4K45-R           | EPDM-SL    |      | -  | 1   | -   | 2<br>(1) |
|      | PKB.B103.TL.SL  | Rotary lobe | 140-4K45-L           | EPDM-SL    |      | -  | -   | 1   | -        |
|      | PKB.B103.TR.SL  | Rotary lobe | 140-4K45-R           | EPDM-SL    |      | -  | -   | 1   | -        |
| 51   | PKB.B101.TL.EPW | Rotary lobe | 70-4K45-L            | EPDM white |      | 1  | -   | -   | -        |
|      | PKB.B101.TR.EPW | Rotary lobe | 70-4K45-R            | EPDM white |      | 1  | -   | -   | -        |
|      | PKB.B102.TL.EPW | Rotary lobe | 105-4K45-L           | EPDM white |      | -  | 1   | -   | 2<br>(1) |
|      | PKB.B102.TR.EPW | Rotary lobe | 105-4K45-R           | EPDM white |      | -  | 1   | -   | 2<br>(1) |
|      | PKB.B103.TL.EPW | Rotary lobe | 140-4K45-L           | EPDM white |      | -  | -   | 1   | -        |
|      | PKB.B103.TR.EPW | Rotary lobe | 140-4K45-R           | EPDM white |      | -  | -   | 1   | -        |
| 54   |                 | Rotary lobe | 105-4K45-L HiFloplus | EPDM-SL    |      | -  | -   | -   | (1)      |
|      |                 | Rotary lobe | 105-4K45-R HiFloplus | EPDM-SL    |      | -  | -   | -   | (1)      |
|      |                 | Rotary lobe | 105-4K45-L HiFloplus | EPDM white |      | -  | -   | -   | (1)      |
|      |                 | Rotary lobe | 105-4K45-R HiFloplus | EPDM white |      | -  | -   | -   | (1)      |

## HiFlo FPM

| Pos. | Part number    | Description | Dimensions           | Notes              | Qty. | 70 | 105 | 140 | 210      |
|------|----------------|-------------|----------------------|--------------------|------|----|-----|-----|----------|
| 51   | PKB.B101.TL.VI | Rotary lobe | 70-4K45-L            | FPM <sup>(1)</sup> |      | 1  | -   | -   | -        |
|      | PKB.B101.TR.VI | Rotary lobe | 70-4K45-R            | FPM <sup>(1)</sup> |      | 1  | -   | -   | -        |
|      | PKB.B102.TL.VI | Rotary lobe | 105-4K45-L           | FPM <sup>(1)</sup> |      | -  | 1   | -   | 2<br>(1) |
|      | PKB.B102.TR.VI | Rotary lobe | 105-4K45-R           | FPM <sup>(1)</sup> |      | -  | 1   | -   | 2<br>(1) |
|      | PKB.B103.TL.VI | Rotary lobe | 140-4K45-L           | FPM <sup>(1)</sup> |      | -  | -   | 1   | -        |
|      | PKB.B103.TR.VI | Rotary lobe | 140-4K45-R           | FPM <sup>(1)</sup> |      | -  | -   | 1   | -        |
| 54   |                | Rotary lobe | 105-4K45-L HiFloplus | FPM <sup>(1)</sup> |      | -  | -   | -   | (1)      |
|      |                | Rotary lobe | 105-4K45-R HiFloplus | FPM <sup>(1)</sup> |      | -  | -   | -   | (1)      |

<sup>(1)</sup> max. 6 bar [87 psi], please pay attention to the admissible pressure of pump!

( ) quantity for HiFlo plus

### HiFlo WEROBUST

| Pos. | Part number    | Description | Dimensions           | Notes                   | Qty. | 70 | 105 | 140 | 210      |
|------|----------------|-------------|----------------------|-------------------------|------|----|-----|-----|----------|
| 51   | PKB.B101.TL.PU | Rotary lobe | 70-4K45-L            | WEROBUST <sup>(2)</sup> |      | 1  | -   | -   | -        |
|      | PKB.B101.TR.PU | Rotary lobe | 70-4K45-R            | WEROBUST <sup>(2)</sup> |      | 1  | -   | -   | -        |
|      | PKB.B102.TL.PU | Rotary lobe | 105-4K45-L           | WEROBUST <sup>(2)</sup> |      | -  | 1   | -   | 2<br>(1) |
|      | PKB.B102.TR.PU | Rotary lobe | 105-4K45-R           | WEROBUST <sup>(2)</sup> |      | -  | 1   | -   | 2<br>(1) |
|      | PKB.B103.TL.PU | Rotary lobe | 140-4K45-L           | WEROBUST <sup>(2)</sup> |      | -  | -   | 1   | -        |
|      | PKB.B103.TR.PU | Rotary lobe | 140-4K45-R           | WEROBUST <sup>(2)</sup> |      | -  | -   | 1   | -        |
| 54   |                | Rotary lobe | 105-4K45-L HiFloplus | WEROBUST <sup>(2)</sup> |      | -  | -   | -   | (1)      |
|      |                | Rotary lobe | 105-4K45-R HiFloplus | WEROBUST <sup>(2)</sup> |      | -  | -   | -   | (1)      |

<sup>(2)</sup> Attention! Usable up to 50°C medium temperature, only!

### HiFlo CSM Hypalon

| Pos. | Part number     | Description | Dimensions           | Notes | Qty. | 70 | 105 | 140 | 210      |
|------|-----------------|-------------|----------------------|-------|------|----|-----|-----|----------|
| 51   | PKB.B101.TL.CSM | Rotary lobe | 70-4K45-L            | CSM   |      | 1  | -   | -   | -        |
|      | PKB.B101.TR.CSM | Rotary lobe | 70-4K45-R            | CSM   |      | 1  | -   | -   | -        |
|      | PKB.B102.TL.CSM | Rotary lobe | 105-4K45-L           | CSM   |      | -  | 1   | -   | 2<br>(1) |
|      | PKB.B102.TR.CSM | Rotary lobe | 105-4K45-R           | CSM   |      | -  | 1   | -   | 2<br>(1) |
| 54   | PBK0039         | Rotary lobe | 105-4K45-L HiFloplus | CSM   |      | -  | -   | -   | (1)      |
|      | PBK0040         | Rotary lobe | 105-4K45-R HiFloplus | CSM   |      | -  | -   | -   | (1)      |

( ) quantity for HiFlo plus

### HiFlo PUR

| Pos. | Part number | Description | Dimensions | Notes | Qty. | 70 | 105 | 140 | 210 |
|------|-------------|-------------|------------|-------|------|----|-----|-----|-----|
| 51   | PKD0099     | Rotary lobe | 105 3F60L  | PUR   |      | -  | 1   | -   | 2   |
|      | PKD0100     | Rotary lobe | 105 3F60R  | PUR   |      | -  | 1   | -   | 2   |
|      | PKD0097     | Rotary lobe | 140 3F60L  | PUR   |      | -  | -   | 1   | -   |
|      | PKD0098     | Rotary lobe | 140 3F60R  | PUR   |      | -  | -   | 1   | -   |

## Rotary lobes; bi-lobe

### Position 51

| Pos.       | Part number                         | Description                         | Dimensions              | Notes                    | Qty. | 70 | 105 | 140 | 210 |
|------------|-------------------------------------|-------------------------------------|-------------------------|--------------------------|------|----|-----|-----|-----|
| 51         | PKB.B018.Q                          | Rotary lobe; bi-lobe                | 70                      | NBR                      |      | 2  | -   | -   | -   |
|            | PKB.B035.Q                          | Rotary lobe; bi-lobe                | 105                     | NBR                      |      | -  | 2   | -   | 4   |
|            | PKB.B028.Q                          | Rotary lobe; bi-lobe                | 140                     | NBR                      |      | -  | -   | 2   | -   |
|            | PKB.B018.QF                         | Rotary lobe; bi-lobe                | 70                      | NBR large rubber lagging |      | 2  | -   | -   | -   |
|            | PKB.B035.QF                         | Rotary lobe; bi-lobe                | 105                     | NBR large rubber lagging |      | -  | 2   | -   | 4   |
|            | PKB.B018.QW                         | Rotary lobe; bi-lobe                | 70                      | NBR white                |      | 2  | -   | -   | -   |
|            | PKB.B028.QW                         | Rotary lobe; bi-lobe                | 140                     | NBR white                |      | -  | -   | 2   | -   |
|            | PKB.B016.Q                          | Rotary lobe; bi-lobe                | 70                      | SBR 70                   |      | 2  | -   | -   | -   |
|            | PKB.B033.Q                          | Rotary lobe; bi-lobe                | 105                     | SBR 70                   |      | -  | 2   | -   | 4   |
|            | PKB.B026.Q                          | Rotary lobe; bi-lobe                | 140                     | SBR 70                   |      | -  | -   | 2   | -   |
|            | PKB.B021.Q.SL                       | Rotary lobe; bi-lobe                | 70                      | EPDM-SL                  |      | 2  | -   | -   | -   |
|            | PKB.B034.Q.SL                       | Rotary lobe; bi-lobe                | 105                     | EPDM-SL                  |      | -  | 2   | -   | 4   |
|            | PKB.B030.Q.SL                       | Rotary lobe; bi-lobe                | 140                     | EPDM-SL                  |      | -  | -   | 2   | -   |
|            | PKB.B022.Q                          | Rotary lobe; bi-lobe                | 70                      | FPM <sup>(1)</sup>       |      | 2  | -   | -   | -   |
|            | PKB.B037.Q                          | Rotary lobe; bi-lobe                | 105                     | FPM <sup>(1)</sup>       |      | -  | 2   | -   | 4   |
|            | PKB.B031.Q                          | Rotary lobe; bi-lobe                | 140                     | FPM <sup>(1)</sup>       |      | -  | -   | 2   | -   |
|            | PKB.B023.Q                          | Rotary lobe; bi-lobe                | 70                      | WEROBUST <sup>(2)</sup>  |      | 2  | -   | -   | -   |
|            | PKB.B036.Q                          | Rotary lobe; bi-lobe                | 105                     | WEROBUST <sup>(2)</sup>  |      | -  | 2   | -   | 4   |
| PKB.B025.Q | Rotary lobe; bi-lobe                | 140                                 | WEROBUST <sup>(2)</sup> |                          | -    | -  | 2   | -   |     |
| 51         | PKB.B041.N1                         | Rotary lobe; bi-lobe <sup>(3)</sup> | 70                      | 1.0503 nitrided (C45)    |      | 2  | -   | -   | -   |
|            | PKB.B042.N1                         | Rotary lobe; bi-lobe <sup>(3)</sup> | 105                     | 1.0503 nitrided (C45)    |      | -  | 2   | -   | 4   |
|            | PKB.B043.N1                         | Rotary lobe; bi-lobe <sup>(3)</sup> | 140                     | 1.0503 nitrided (C45)    |      | -  | -   | 2   | -   |
|            | PKB0036                             | Rotary lobe; bi-lobe <sup>(3)</sup> | 70                      | 1.7131 hardened          |      | 2  | -   | -   | -   |
|            | PKB0019                             | Rotary lobe; bi-lobe <sup>(3)</sup> | 105                     | 1.7131 hardened          |      | -  | 2   | -   | 4   |
|            |                                     | Rotary lobe; bi-lobe <sup>(3)</sup> | 140                     | 1.7131 hardened          |      | -  | -   | 2   | -   |
|            | PKB.B023.Q                          | Rotary lobe; bi-lobe <sup>(3)</sup> | 70                      | POM                      |      | 2  | -   | -   | -   |
|            | PKB.B036.Q                          | Rotary lobe; bi-lobe <sup>(3)</sup> | 105                     | POM                      |      | -  | 2   | -   | 4   |
| PKB.B025.Q | Rotary lobe; bi-lobe <sup>(3)</sup> | 140                                 | POM                     |                          | -    | -  | 2   | -   |     |

<sup>(1)</sup> max. 6 bar [87 psi], please pay attention to the admissible pressure of pump!

<sup>(2)</sup> Attention! Usable up to 50°C medium temperature, only!

<sup>(3)</sup> + O-ring for solid material lobe

## Solid material lobe

### HiFlo

#### Position 51+54

| Pos. | Part number     | Description                | Dimensions                   | Notes                 | Qty. | 70 | 105 | 140 | 210      |
|------|-----------------|----------------------------|------------------------------|-----------------------|------|----|-----|-----|----------|
| 51   | PKB.B104.N1.TL  | Rotary lobe <sup>(3)</sup> | 70-4K45-L HiFlo              | 1.0503 nitrided (C45) |      | 1  | -   | -   | -        |
|      | PKB.B104.N1.TR  | Rotary lobe <sup>(3)</sup> | 70-4K45-R HiFlo              | 1.0503 nitrided (C45) |      | 1  | -   | -   | -        |
|      | PKB.B105.N1.TL  | Rotary lobe <sup>(3)</sup> | 105-4K45-L HiFlo             | 1.0503 nitrided (C45) |      | -  | 1   | -   | 2<br>(1) |
|      | PKB.B105.N1.TR  | Rotary lobe <sup>(3)</sup> | 105-4K45-R HiFlo             | 1.0503 nitrided (C45) |      | -  | 1   | -   | 2<br>(1) |
|      | PKB.B106.N1.TL  | Rotary lobe <sup>(3)</sup> | 140-4K45-L HiFlo             | 1.0503 nitrided (C45) |      | -  | -   | 1   | -        |
|      | PKB.B106.N1.TR  | Rotary lobe <sup>(3)</sup> | 140-4K45-R HiFlo             | 1.0503 nitrided (C45) |      | -  | -   | 1   | -        |
|      | PKB.B101.TL.POM | Rotary lobe <sup>(3)</sup> | 70-4K45-L HiFlo              | POM                   |      | 1  | -   | -   | -        |
|      | PKB.B101.TR.POM | Rotary lobe <sup>(3)</sup> | 70-4K45-R HiFlo              | POM                   |      | 1  | -   | -   | -        |
|      | PKB.B102.TL.POM | Rotary lobe <sup>(3)</sup> | 105-4K45-L HiFlo             | POM                   |      | -  | 1   | -   | 2<br>(1) |
|      | PKB.B102.TR.POM | Rotary lobe <sup>(3)</sup> | 105-4K45-R HiFlo             | POM                   |      | -  | 1   | -   | 2<br>(1) |
| 51   | PKB0020         | Rotary lobe <sup>(3)</sup> | 105 3K60 LHiFlo              | 1.7131 hardened       |      | -  | 1   | -   | 2        |
|      | PKB0021         | Rotary lobe <sup>(3)</sup> | 105 3K60 R HiFlo             | 1.7131 hardened       |      | -  | 1   | -   | 2        |
|      | PKB0034         | Rotary lobe <sup>(3)</sup> | 140 3K60 L HiFlo             | 1.7131 hardened       |      | -  | -   | 1   | -        |
|      | PKB0035         | Rotary lobe <sup>(3)</sup> | 140 3K60 R HiFlo             | 1.7131 hardened       |      | -  | -   | 1   | -        |
| 54   |                 | Rotary lobe <sup>(3)</sup> | 105-4K45-L HiFlo <i>plus</i> | 1.0503 nitrided (C45) |      | -  | -   | -   | (1)      |
|      |                 | Rotary lobe <sup>(3)</sup> | 105-4K45-R HiFlo <i>plus</i> | 1.0503 nitrided (C45) |      | -  | -   | -   | (1)      |
|      |                 | Rotary lobe <sup>(3)</sup> | 105-4K45-L HiFlo <i>plus</i> | POM                   |      | -  | -   | -   | (1)      |
|      |                 | Rotary lobe <sup>(3)</sup> | 105-4K45-R HiFlo <i>plus</i> | POM                   |      | -  | -   | -   | (1)      |

<sup>(3)</sup> + O-ring for solid material lobe

( ) quantity for HiFlo *plus*

## O-ring for solid material rotary lobes

#### Position 52-53

| Pos. | Part number | Description           | Dimensions | Notes              | Qty. | 70 | 105 | 140 | 210 |
|------|-------------|-----------------------|------------|--------------------|------|----|-----|-----|-----|
| 52   | DOR.039     | O-ring <sup>(5)</sup> | 80 x 2,5   | NBR                |      | 2  | 2   | 2   | 2   |
|      | DOR.039.EP  | O-ring <sup>(5)</sup> | 80 x 2,5   | EPDM               |      |    |     |     |     |
|      | DOR.039.VI  | O-ring <sup>(5)</sup> | 80 x 2,5   | FPM                |      |    |     |     |     |
|      | DOR.039.PT  | O-ring <sup>(5)</sup> | 80 x 2,5   | Silikon FEP coated |      |    |     |     |     |
| 53   | DOR.162     | O-ring <sup>(5)</sup> | 80 x 4     | NBR                |      | -  | -   | -   | 2   |
|      | DOR.162.EP  | O-ring <sup>(5)</sup> | 80 x 4     | EPDM               |      |    |     |     |     |
|      | DOR.162.VI  | O-ring <sup>(5)</sup> | 80 x 4     | FPM                |      |    |     |     |     |
|      | DOR.162.PT  | O-ring <sup>(5)</sup> | 80 x 4     | Silikon FEP coated |      |    |     |     |     |

<sup>(5)</sup> for solid material lobe

## Cover and accessories

### Position 55-57

| Pos. | Part number | Description | Dimensions      | Notes                   | Qty. | 70 | 105 | 140 | 210 |
|------|-------------|-------------|-----------------|-------------------------|------|----|-----|-----|-----|
| 55   | NIR.019     | Inner ring  | JR 45 x 50 x 20 | For motor shaft         |      | 1  | 1   | 1   | 1   |
|      | NIR.019     | Inner ring  | JR 45 x 50 x 20 | For PTO shaft           |      | 2  | 2   | 2   | 2   |
| 56   | PGP.B005    | Cover       |                 |                         |      | 1  | 1   | 1   | 1   |
| 57   | PFL.B002    | Wear plate  |                 |                         |      | 1  | 1   | 1   | 1   |
|      | PFL.B002.G1 | Wear plate  |                 | Tungsten carbide coated |      |    |     |     |     |

## Bolts and accessories

### Position 59-73

| Pos. | Part number | Description       | Dimensions      | Notes                | Qty. | 70 | 105 | 140 | 210 |
|------|-------------|-------------------|-----------------|----------------------|------|----|-----|-----|-----|
| 59   | PSG.017     | Sight glass       | M16 x 1.5       |                      |      | 2  | 2   | 2   | 2   |
| 60   | DKR.005     | Copper ring       | C16 x 22 x 2    | DIN 7603             |      | 6  | 6   | 6   | 6   |
| 62   | NSK.081     | Screw plug        | M16 x 1,5       | DIN 910              |      | 1  | 1   | 1   | 1   |
| 64   | NSK.072     | Hexagon head bolt | M10 x 65        | DIN 931              |      | 12 | 12  | 12  | 12  |
| 65   | NUS.004     | Shim              | A 10.5 x 20 x 2 | DIN 125              |      | 44 | 48  | 48  | 48  |
| 66   | NMK.001     | Hexagon nut       | M10             | DIN 985 self-locking |      | 24 | 24  | 24  | 24  |
| 67   | PRS.B023    | Distance nut      | M10             |                      |      | 4  | 4   | 4   | 4   |
| 68   | NSK.204     | Hexagon head bolt | M10 x 80        | DIN 933              |      | -  | 4   | 4   | 4   |
|      | NGS.008     | Threaded rod      | M10 x 100       | DIN 976              |      | 4  | -   | -   | -   |
| 69   | NSP.004     | Spring pin        | 13 x 40         | DIN 7346             |      | 4  | 4   | 4   | 4   |
| 70   | NSK.006     | Hexagon head bolt | M10 x 55        | DIN 933              |      | 8  | 8   | 8   | 8   |
| 71   | NSK.080     | Screw plug        | M 10 x 1        | For motor shaft      |      | 4  | 4   | 4   | 4   |
|      | NKS.001     | Grease nipple     | M 10 x 1        | For PTO shaft        |      |    |     |     |     |
| 72   | DKR.001     | Copper ring       | C 10 x 16 x 1   | For motor shaft      |      | 4  | 4   | 4   | 4   |
|      | BKA.001     | Grease nipple cap |                 | For PTO shaft        |      |    |     |     |     |
| 73   | NSP.013     | Spring pin        | 13 x 24         | ISO 13337            |      | 4  | 4   | 4   | 4   |

## Buffer chamber enlargement

### Position 74

| Pos. | Part number | Description       | Dimensions | Notes               | Qty. | 70 | 105 | 140 | 210 |
|------|-------------|-------------------|------------|---------------------|------|----|-----|-----|-----|
| 74   | PSG.014     | Buffer fluid tank |            | Pressurised         |      | 1  | 1   | 1   | 1   |
|      | PSG.014.T1  | Quench fluid tank |            | Ventilated (Option) |      |    |     |     |     |
|      | PSV.002.N1  | Pressure valve    |            | (Option)            |      |    |     |     |     |



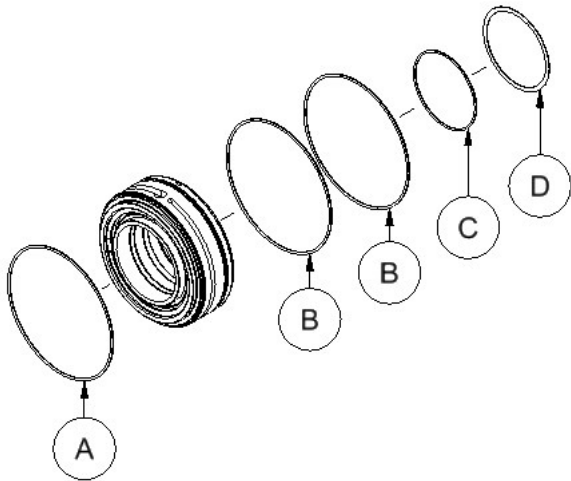
## Cartridge mechanical seal

Pos. 79

| Pos.                  | Part number | Description  | Dimensions | Notes                                      | Qty. | 70 | 105 | 140 | 210 |
|-----------------------|-------------|--|------------|--|------|----|-----|-----|-----|
| <b>Steel nitrided</b> |             |  |            |  |      |    |     |     |     |
| 79                    | PBT.B002    | Cartridge mechanical seal HD;<br>single mechanical seal            |            | SiC; HNBR, HNBR                            |      | 2  |     |     |     |
|                       | PBT0449     |  |            | SiC; HNBR, FPM                             |      |    |     |     |     |
|                       | PBT1824     |  |            | SiC; FPM, FPM                              |      |    |     |     |     |
|                       | PBT.B004    |  |            | Duronit <sup>(4)</sup> ;<br>HNBR, HNBR     |      |    |     |     |     |
|                       | PBT1826     |  |            | Duronit <sup>(4)</sup> ; FPM, FPM          |      |    |     |     |     |
|                       | PBT1828     |  |            | SiC; EPDM, FPM                             |      |    |     |     |     |
|                       | PBT.B010    | Cartridge mechanical seal<br>block ring;<br>single mechanical seal |            | WC/SiC;<br>HNBR, HNBR                      |      |    |     |     |     |
|                       | PBT0809     |  |            | WC/SiC,<br>HNBR, HNBR                      |      |    |     |     |     |
|                       | PBT0488     |  |            | WC/SiC; HNBR, FPM                          |      |    |     |     |     |
|                       | PBT0192     |  |            | WC/SiC; FPM, FPM                           |      |    |     |     |     |
|                       | PBT1744     |  |            | WC/SiC; FEPM, FPM                          |      |    |     |     |     |
|                       | PBT.B012    |  |            | WC/coal;<br>HNBR, NBR                      |      |    |     |     |     |
|                       | PBT1731     |  |            | WC/coal;<br>FPM, FPM                       |      |    |     |     |     |
|                       | PBT1733     |  |            | WC/coal;<br>EPDM, FPM                      |      |    |     |     |     |
|                       | PBT.B019    |  |            | CrO/Duronit <sup>(4)</sup> ;<br>HNBR, HNBR |      |    |     |     |     |
|                       | PBT0629     |  |            | CrO/Duronit <sup>(4)</sup> ;<br>HNBR, FPM  |      |    |     |     |     |
|                       | PBT1735     |  |            | WC/SiC, EPDM, FPM                          |      |    |     |     |     |
|                       | PBT1746     |  |            | WC/SiC, FFPM, FPM                          |      |    |     |     |     |
|                       | PBT1251     |  |            | CrO/Duronit <sup>(4)</sup> ;<br>HNBR, HNBR |      |    |     |     |     |
|                       | PBT0342     |  |            | CrO/Duronit <sup>(4)</sup> ;<br>FPM, FPM   |      |    |     |     |     |
| PBT1749               |             | CrO/Duronit <sup>(4)</sup> ;<br>EPDM, FPM                          |            |  |      |    |     |     |     |
| PBT1745               |             | CrO/Duronit <sup>(4)</sup> ;<br>FEPM, FPM                          |            |  |      |    |     |     |     |

<sup>(4)</sup> up to 10 bar [145 psi] real operating pressure

## "Loose parts" for Cartridge mechanical seal



Quantity per cartridge

| Pos. | Part number | Description | Dimensions | Notes               | Qty. |
|------|-------------|-------------|------------|---------------------|------|
| A    | DOR.085     | O-ring      | 104 x 3    | NBR                 | 1    |
|      | DOR.085.VI  | O-ring      | 104 x 3    | FPM                 |      |
| B    | DOR.085     | O-ring      | 104 x 3    | NBR                 | 2    |
|      | DOR.085.EP  | O-ring      | 104 x 3    | EPDM                |      |
|      | DOR.085.VI  | O-ring      | 104 x 3    | FPM                 |      |
|      | DOR.085.PT  | O-ring      | 104 x 3    | Silicone FEP coated |      |
| C    | DOR.041     | O-ring      | 60 x 2     | NBR                 | 1    |
|      | DOR.041.VI  | O-ring      | 60 x 2     | FPM                 |      |
| D    | NUS.029     | Shim        |            |                     | 1    |

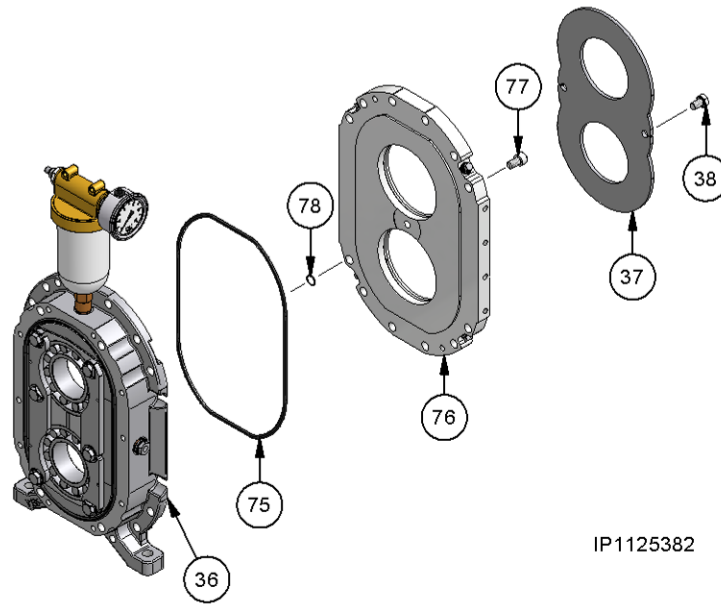
These positions are contained in the Cartridge mechanical seal as "loose parts".

## Accessories

### Position 83

| Pos. | Part number | Description                   | Dimensions | Notes | Qty. | 70 | 105 | 140 | 210 |
|------|-------------|-------------------------------|------------|-------|------|----|-----|-----|-----|
| 83   | NST.017     | Plastic plug for strain screw |            |       |      | 2  | 2   | 2   | 2   |

**Option: Intermediate flange**  
Position 75-78



IP1125382

| Pos. | Part number | Description         | Dimensions | Notes               | Qty. | 70 | 105 | 140 | 210 |
|------|-------------|---------------------|------------|---------------------|------|----|-----|-----|-----|
| 75   | DOR0049     | O-ring              | 282 x 4    | NBR                 |      |    |     |     |     |
|      | DOR0050     | O-ring              | 282 x 4    | FPM                 |      |    |     | 1   |     |
| 76   | PGP.B112.N1 | Intermediate flange |            |                     |      |    |     | 1   |     |
| 77   | NSI.096.EE  | Cylinder head bolt  | M 10 x 18  |                     |      |    |     | 1   |     |
| 78   | DOR.040     | O-ring              | 12 x 2     | NBR                 |      |    |     |     |     |
|      | DOR.040.EP  | O-ring              | 12 x 2     | EPDM                |      |    |     |     |     |
|      | DOR.040.VI  | O-ring              | 12 x 2     | FPM                 |      |    |     |     |     |
|      | DOR.040.PT  | O-ring              | 12 x 2     | Silicone FEP coated |      |    |     |     |     |


## Operating material

| Pos. | Part number | Description                     | Dimensions | Notes                    | Qty. | 70 | 105 | 140 | 210 |
|------|-------------|---------------------------------|------------|--------------------------|------|----|-----|-----|-----|
|      | DDM.004     | Curil sealing material          |            | For asbestos-free gasket |      |    | x   |     |     |
|      | BKL.013     | WEICONLOCK asbestos-free gasket | AN305-74   | For bearing housing      |      |    |     | x   |     |
|      | BSS.008     | Grease                          | Renolit CP | For bearing              |      |    |     | x   |     |
|      | BSS.006     | Mineral oil                     |            | Titan Gear MP 90         |      |    |     | x   |     |

## Tools

| Pos. | Part number | Description        | Dimensions | Notes | Qty. | 70 | 105 | 140 | 210 |
|------|-------------|--------------------|------------|-------|------|----|-----|-----|-----|
|      | PBA.B001.TK | Rotary lobe puller | 70/105     |       |      | x  | x   |     |     |
|      | PBA.B001.TL | Rotary lobe puller | 140/210    |       |      |    |     | x   | x   |

### Cartridge mechanical seal:

|  |             |   |   |   |  |   |   |   |     |
|--|-------------|---|---|---|--|---|---|---|-----|
|  | WKZ0172     | Tool set                                      |   | Cartridge mechanical seal               |  |   | x |   |     |
|  | WKZ0456     | Disassembly tool<br>Cartridge mechanical seal |   | Included in WKZ0172                     |  |   |   |   |     |
|  | PBA.B020.N1 | Assembly tool                                 |  | Included in WKZ0456                     |  |   |   |   | (1) |
|  | NSI.155     | Cylinder head bolt                            | M 5 x 12  |   |  |   |   |   | (2) |
|  | NSK.155     | Hexagon head bolt                             | M 8 x 80  |   |  |   |   |   | (3) |
|  | PBA.B033.T1 | Multi-purpose tool                            | → 70Q-210Q  | Cartridge mechanical seal - rotary lobe |  | x | x | x | x   |
|  | WKZ0105     | Service tool box                              | VX136Q  |   |  |   |   |   |     |

## Material for connectors

| Pos. | Part number | Description       | Dimensions     | Notes   | Qty. | 70 | 105 | 140 | 210 |
|------|-------------|-------------------|----------------|---------|------|----|-----|-----|-----|
|      | NSK.027     | Hexagon head bolt | M10 x 25       | DIN 933 |      | 20 | 24  | 24  | 28  |
|      | NUS.004     | Washer            | A10.5 x 20 x 2 | DIN 125 |      | 20 | 24  | 24  | 28  |
|      | PFL.010     | Flange            | 70             |         |      | 2  | -   | -   | -   |
|      | PFL.057     | Flange            | 105            |         |      | -  | 2   | -   | -   |
|      | PFL.005     | Flange            | 140            |         |      | -  | -   | 2   |     |
|      | PFL.006     | Flange            | 210            |         |      | -  | -   | -   | 2   |
|      | DFD.011.P   | Flange gasket     | 70             |         |      | 2  | -   | -   | -   |
|      | DFD.033.P   | Flange gasket     | 105            |         |      | -  | 2   | -   | -   |
|      | DFD.005.P   | Flange gasket     | 140            |         |      | -  | -   | 2   | -   |
|      | DFD.006.P   | Flange gasket     | 210            |         |      | -  | -   | -   | 2   |

## Required spare parts for rotary lobe change

| Pos.  | Part number | Description                   | Dimensions     | Notes                  | Qty. | 70 | 105 | 140 | 210 |
|-------|-------------|-------------------------------|----------------|------------------------|------|----|-----|-----|-----|
| 34    | NPF.010     | Fitting key                   | B 14 x 9 x 28  |                        |      | 2  | -   | -   | -   |
|       | NPF.011     | Fitting key                   | B 14 x 9 x 56  |                        |      | -  | 2   | -   | 2   |
|       | NPF.012     | Fitting key                   | B 14 x 9 x 110 |                        |      | -  | -   | -   | 2   |
|       | NPF.013     | Fitting key                   | B 14 x 9 x 100 |                        |      | -  | -   | 2   | -   |
| 46    | DOR.043     | O-ring                        | 64 x 4         | NBR                    |      | 2  | 2   | 2   | 2   |
|       | DOR.043.EP  | O-ring                        | 64 x 4         | EPDM                   |      |    |     |     |     |
|       | DOR.043.VI  | O-ring                        | 64 x 4         | FPM                    |      |    |     |     |     |
|       | DOR.043.PT  | O-ring                        | 64 x 4         | Silicone FEP coated    |      |    |     |     |     |
| 47    | DOR.021     | O-ring                        | 24 x 3         | NBR                    |      | 2  | 2   | 2   | 2   |
|       | DOR.021.EP  | O-ring                        | 24 x 3         | EPDM                   |      |    |     |     |     |
|       | DOR.021.VI  | O-ring                        | 24 x 3         | FPM                    |      |    |     |     |     |
|       | DOR.021.PT  | O-ring                        | 24 x 3         | Silicone FEP coated    |      |    |     |     |     |
| 48    | PRS.102     | Strain bolt                   | M16            |                        |      | 2  | 2   | 2   | 2   |
| 50    | DOR.051     | O-ring                        | 280 x 6        | NBR                    |      | 1  | 1   | 1   | 1   |
|       | DOR.051.EP  | O-ring                        | 280 x 6        | EPDM                   |      |    |     |     |     |
|       | DOR.051.VI  | O-ring                        | 280 x 6        | FPM                    |      |    |     |     |     |
|       | DOR.051.PT  | O-ring                        | 280 x 6        | Silicone FEP coated    |      |    |     |     |     |
| 51-54 |             | Rotary lobe                   |                | See page 10 and follow |      |    |     |     |     |
| 52    | DOR.039     | O-ring <sup>(5)</sup>         | 80 x 2,5       | NBR                    |      | 2  | 2   | 2   | 2   |
|       | DOR.039.EP  | O-ring <sup>(5)</sup>         | 80 x 2,5       | EPDM                   |      |    |     |     |     |
|       | DOR.039.VI  | O-ring <sup>(5)</sup>         | 80 x 2,5       | FPM                    |      |    |     |     |     |
|       | DOR.039.PT  | O-ring <sup>(5)</sup>         | 80 x 2,5       | Silikon FEP coated     |      |    |     |     |     |
| 53    | DOR.162     | O-ring <sup>(5)</sup>         | 80 x 4         | NBR                    |      | -  | -   | -   | 2   |
|       | DOR.162.EP  | O-ring <sup>(5)</sup>         | 80 x 4         | EPDM                   |      |    |     |     |     |
|       | DOR.162.VI  | O-ring <sup>(5)</sup>         | 80 x 4         | FPM                    |      |    |     |     |     |
|       | DOR.162.PT  | O-ring <sup>(5)</sup>         | 80 x 4         | Silikon FEP coated     |      |    |     |     |     |
| 83    | NST.017     | Plastic plug for strain screw |                |                        |      | 2  | 2   | 2   | 2   |

<sup>(5)</sup> for solid material lobe

### Necessary spare parts for Cartridge mechanical seal change

| Pos. | Part number | Description | Dimensions | Notes               | Qty. | 70 | 105 | 140 | 210 |
|------|-------------|-------------|------------|---------------------|------|----|-----|-----|-----|
| 46   | DOR.043     | O-ring      | 64 x 4     | NBR                 |      | 2  | 2   | 2   | 2   |
|      | DOR.043.EP  | O-ring      | 64 x 4     | EPDM                |      |    |     |     |     |
|      | DOR.043.VI  | O-ring      | 64 x 4     | FPM                 |      |    |     |     |     |
|      | DOR.043.PT  | O-ring      | 64 x 4     | Silicone FEP coated |      |    |     |     |     |
| 47   | DOR.021     | O-ring      | 24 x 3     | NBR                 |      | 2  | 2   | 2   | 2   |
|      | DOR.021.EP  | O-ring      | 24 x 3     | EPDM                |      |    |     |     |     |
|      | DOR.021.VI  | O-ring      | 24 x 3     | FPM                 |      |    |     |     |     |
|      | DOR.021.PT  | O-ring      | 24 x 3     | Silicone FEP coated |      |    |     |     |     |
| 48   | PRS.102     | Strain bolt | M16        |                     |      | 2  | 2   | 2   | 2   |
| 50   | DOR.051     | O-ring      | 280 x 6    | NBR                 |      | 1  | 1   | 1   | 1   |
|      | DOR.051.EP  | O-ring      | 280 x 6    | EPDM                |      |    |     |     |     |
|      | DOR.051.VI  | O-ring      | 280 x 6    | FPM                 |      |    |     |     |     |
|      | DOR.051.PT  | O-ring      | 280 x 6    | Silicone FEP coated |      |    |     |     |     |

#### Steel nitrided

|         |          |  |  |  |  |   |   |   |   |
|---------|----------|--|--|--|--|---|---|---|---|
| 79      | PBT.B002 | Cartridge mechanical seal HD;<br>single mechanical seal            |  | SiC; HNBR, HNBR                            |  | 2 |   |   |   |
|         | PBT0449  |  |  | SiC; HNBR, FPM                             |  |   |   |   |   |
|         | PBT1824  |  |  | SiC; FPM, FPM                              |  |   |   |   |   |
|         | PBT.B004 |  |  | Duronit <sup>(4)</sup> ;<br>HNBR, HNBR     |  |   |   |   |   |
|         | PBT1826  |  |  | Duronit <sup>(4)</sup> ; FPM, FPM          |  |   |   |   |   |
|         | PBT1828  |  |  | SiC; EPDM, FPM                             |  |   |   |   |   |
|         | PBT.B010 | Cartridge mechanical seal<br>block ring;<br>single mechanical seal |  | WC/SiC;<br>HNBR, HNBR                      |  |   |   |   |   |
|         | PBT0809  |  |  | WC/SiC,<br>HNBR, HNBR                      |  |   |   |   |   |
|         | PBT0488  |  |  | WC/SiC; HNBR, FPM                          |  |   |   |   |   |
|         | PBT0192  |  |  | WC/SiC; FPM, FPM                           |  |   |   |   |   |
|         | PBT1744  |  |  | WC/SiC; FEPM, FPM                          |  |   |   |   |   |
|         | PBT.B012 |  |  | WC/coal;<br>HNBR, NBR                      |  |   |   |   |   |
|         | PBT1731  |  |  | WC/coal;<br>FPM, FPM                       |  |   |   |   |   |
|         | PBT1733  |  |  | WC/coal;<br>EPDM, FPM                      |  |   |   |   |   |
|         | PBT.B019 |  |  | CrO/Duronit <sup>(4)</sup> ;<br>HNBR, HNBR |  |   |   |   |   |
|         | PBT0629  |  |  | CrO/Duronit <sup>(4)</sup> ;<br>HNBR, FPM  |  |   |   |   |   |
|         | PBT1735  |  |  | WC/SiC, EPDM, FPM                          |  |   |   |   |   |
|         | PBT1746  |  |  | WC/SiC, FFPM, FPM                          |  |   |   |   |   |
|         | PBT1251  |  |  | CrO/Duronit <sup>(4)</sup> ;<br>HNBR, HNBR |  |   |   |   |   |
|         | PBT0342  |  |  | CrO/Duronit <sup>(4)</sup> ;<br>FPM, FPM   |  |   |   |   |   |
| PBT1749 |          | CrO/Duronit <sup>(4)</sup> ;<br>EPDM, FPM                          |  |  |  |   |   |   |   |
| PBT1745 |          | CrO/Duronit <sup>(4)</sup> ;<br>FEPM, FPM                          |  |  |  |   |   |   |   |
| 83      | NST.017  | Plastic plug for strain screw                                      |  |  |  | 2 | 2 | 2 | 2 |

<sup>(4)</sup> up to 10 bar [145 psi] real operating pressure

## Necessary spare parts for wear part replacement with Cartridge mechanical seal

| Pos.  | Part number | Description                   | Dimensions     | Notes                   | Qty. | 70 | 105 | 140 | 210 |
|-------|-------------|-------------------------------|----------------|-------------------------|------|----|-----|-----|-----|
| 34    | NPF.010     | Fitting key                   | B 14 x 9 x 28  |                         |      | 2  | -   | -   | -   |
|       | NPF.011     | Fitting key                   | B 14 x 9 x 56  |                         |      | -  | 2   | -   | 2   |
|       | NPF.012     | Fitting key                   | B 14 x 9 x 110 |                         |      | -  | -   | -   | 2   |
|       | NPF.013     | Fitting key                   | B 14 x 9 x 100 |                         |      | -  | -   | 2   | -   |
| 37    | PFL.B009    | Wear plate                    |                |                         |      | 1  | 1   | 1   | 1   |
|       | PFL.B009.G1 | Wear plate                    |                | Tungsten carbide coated |      |    |     |     |     |
| 38    | NSK.025.EE  | Hexagon head bolt             | M10 x 16       | DIN 933                 |      | 4  | 4   | 4   | 4   |
| 40    | DAD.007     | Gasket                        |                | Asbestos-free           |      | 4  | 4   | 4   | 4   |
| 46    | DOR.043     | O-ring                        | 64 x 4         | NBR                     |      | 2  | 2   | 2   | 2   |
|       | DOR.043.EP  | O-ring                        | 64 x 4         | EPDM                    |      |    |     |     |     |
|       | DOR.043.VI  | O-ring                        | 64 x 4         | FPM                     |      |    |     |     |     |
|       | DOR.043.PT  | O-ring                        | 64 x 4         | Silicone FEP coated     |      |    |     |     |     |
| 47    | DOR.021     | O-ring                        | 24 x 3         | NBR                     |      | 2  | 2   | 2   | 2   |
|       | DOR.021.EP  | O-ring                        | 24 x 3         | EPDM                    |      |    |     |     |     |
|       | DOR.021.VI  | O-ring                        | 24 x 3         | FPM                     |      |    |     |     |     |
|       | DOR.021.PT  | O-ring                        | 24 x 3         | Silicone FEP coated     |      |    |     |     |     |
| 48    | PRS.102     | Strain bolt                   | M16            |                         |      | 2  | 2   | 2   | 2   |
| 50    | DOR.051     | O-ring                        | 280 x 6        | NBR                     |      | 1  | 1   | 1   | 1   |
|       | DOR.051.EP  | O-ring                        | 280 x 6        | EPDM                    |      |    |     |     |     |
|       | DOR.051.VI  | O-ring                        | 280 x 6        | FPM                     |      |    |     |     |     |
|       | DOR.051.PT  | O-ring                        | 280 x 6        | Silicone FEP coated     |      |    |     |     |     |
| 51-54 |             | Rotary lobe                   |                | See page 10 and follow  |      |    |     |     |     |
| 52    | DOR.039     | O-ring <sup>(5)</sup>         | 80 x 2,5       | NBR                     |      | 2  | 2   | 2   | 2   |
|       | DOR.039.EP  | O-ring <sup>(5)</sup>         | 80 x 2,5       | EPDM                    |      |    |     |     |     |
|       | DOR.039.VI  | O-ring <sup>(5)</sup>         | 80 x 2,5       | FPM                     |      |    |     |     |     |
|       | DOR.039.PT  | O-ring <sup>(5)</sup>         | 80 x 2,5       | Silikon FEP coated      |      |    |     |     |     |
| 53    | DOR.162     | O-ring <sup>(5)</sup>         | 80 x 4         | NBR                     |      | -  | -   | -   | 2   |
|       | DOR.162.EP  | O-ring <sup>(5)</sup>         | 80 x 4         | EPDM                    |      |    |     |     |     |
|       | DOR.162.VI  | O-ring <sup>(5)</sup>         | 80 x 4         | FPM                     |      |    |     |     |     |
|       | DOR.162.PT  | O-ring <sup>(5)</sup>         | 80 x 4         | Silikon FEP coated      |      |    |     |     |     |
| 57    | PFL.B002    | Wear plate                    |                |                         |      | 1  | 1   | 1   | 1   |
|       | PFL.B002.G1 | Wear plate                    |                | Tungsten carbide coated |      |    |     |     |     |
| 83    | NST.017     | Plastic plug for strain screw |                |                         |      | 2  | 2   | 2   | 2   |

<sup>(5)</sup> for solid material lobe

Continuation see next page

| Pos.                  | Part number | Description  | Dimensions | Notes                                      | Qty. | 70 | 105 | 140 | 210 |
|-----------------------|-------------|--|------------|--|------|----|-----|-----|-----|
| <b>Steel nitrided</b> |             |  |            |  |      |    |     |     |     |
| 79                    | PBT.B002    | Cartridge mechanical seal HD;<br>single mechanical seal            |            | SiC; HNBR, HNBR                            |      | 2  |     |     |     |
|                       | PBT0449     |  |            | SiC; HNBR, FPM                             |      |    |     |     |     |
|                       | PBT1824     |  |            | SiC; FPM, FPM                              |      |    |     |     |     |
|                       | PBT.B004    |  |            | Duronit <sup>(4)</sup> ;<br>HNBR, HNBR     |      |    |     |     |     |
|                       | PBT1826     |  |            | Duronit <sup>(4)</sup> ; FPM, FPM          |      |    |     |     |     |
|                       | PBT1828     |  |            | SiC; EPDM, FPM                             |      |    |     |     |     |
|                       | PBT.B010    | Cartridge mechanical seal<br>block ring;<br>single mechanical seal |            | WC/SiC;<br>HNBR, HNBR                      |      |    |     |     |     |
|                       | PBT0809     |  |            | WC/SiC,<br>HNBR, HNBR                      |      |    |     |     |     |
|                       | PBT0488     |  |            | WC/SiC; HNBR, FPM                          |      |    |     |     |     |
|                       | PBT0192     |  |            | WC/SiC; FPM, FPM                           |      |    |     |     |     |
|                       | PBT1744     |  |            | WC/SiC; FEPM, FPM                          |      |    |     |     |     |
|                       | PBT.B012    |  |            | WC/coal;<br>HNBR, NBR                      |      |    |     |     |     |
|                       | PBT1731     |  |            | WC/coal;<br>FPM, FPM                       |      |    |     |     |     |
|                       | PBT1733     |  |            | WC/coal;<br>EPDM, FPM                      |      |    |     |     |     |
|                       | PBT.B019    |  |            | CrO/Duronit <sup>(4)</sup> ;<br>HNBR, HNBR |      |    |     |     |     |
|                       | PBT0629     |  |            | CrO/Duronit <sup>(4)</sup> ;<br>HNBR, FPM  |      |    |     |     |     |
|                       | PBT1735     |  |            | WC/SiC, EPDM, FPM                          |      |    |     |     |     |
|                       | PBT1746     |  |            | WC/SiC, FFPM, FPM                          |      |    |     |     |     |
|                       | PBT1251     |  |            | CrO/Duronit <sup>(4)</sup> ;<br>HNBR, HNBR |      |    |     |     |     |
|                       | PBT0342     |  |            | CrO/Duronit <sup>(4)</sup> ;<br>FPM, FPM   |      |    |     |     |     |
| PBT1749               |             | CrO/Duronit <sup>(4)</sup> ;<br>EPDM, FPM                          |            |  |      |    |     |     |     |
| PBT1745               |             | CrO/Duronit <sup>(4)</sup> ;<br>FEPM, FPM                          |            |  |      |    |     |     |     |



# **V**OGELSANG



## **Vogelsang GmbH & Co. KG**

Holthöge 10-14  
49632 Essen/Oldb.

Phone: +49 (0) 54 34 83 0  
Fax: +49 (0) 54 34 83 10

www.vogelsang.info  
info@vogelsang.info

## ENGINEERED TO WORK

### **Australien**

**Vogelsang Pty. Ltd.**  
vogelsang.com.au

### **Brasilien**

**Vogelsang Brasil Ltda.**  
vogelsang.com.br

### **China**

**Vogelsang Mechanical  
Engineering (Shanghai) Co., Ltd.**  
vogelsang.com.cn

### **Dänemark**

**Vogelsang A/S**  
vogelsang-as.dk

### **Deutschland - Niederlassung Ost**

**Vogelsang Lutherstadt Eisleben**  
vogelsang.info

### **Finnland**

**Vogelsang Oy**  
vogelsang.fi

### **Frankreich**

**Vogelsang France S.A.R.L.**  
vogelsang.fr

### **Großbritannien**

**Vogelsang Ltd.**  
vogelsang.co.uk

### **Indien**

**Vogelsang India Private Limited**  
vogelsangindia.com

### **Irland**

**Vogelsang Ireland**  
vogelsang.ie

### **Italien**

**Vogelsang Italy Srl**  
vogelsang-srl.it

### **Malaysia**

**Vogelsang Malaysia**  
vogelsang.info

### **Mexico**

**Vogelsang De México  
S.de R.L. de CV**  
vogelsang.mx

### **Niederlande**

**Bos Benelux BV**  
b.bos@bosbenelux.com

### **Österreich**

**Vogelsang Austria GmbH**  
vogelsang-austria.at

### **Polen**

**Vogelsang Poland Sp. z o.o.**  
vogelsang.pl

### **Rumänien**

**Vogelsang Romania SRL**  
vogelsang.ro

### **Russland**

**OOO Vogelsang Russland**  
vogelsang.ru

### **Slowenien**

**VGS TECH GREGOR TURSIC S.P.**  
vogelsang.info

### **Schweden**

**Vogelsang Sverige AB**  
vogelsang.se

### **Spanien**

**Vogelsang S.L.**  
vogelsang.es

### **Südkorea**

**Vogelsang Korea Co., Ltd.**  
vogelsang.co.kr

### **Tschechische Republik**

**Vogelsang CZ s.r.o.**  
vogelsang-czech.cz

### **USA**

**Vogelsang USA Ltd.**  
vogelsangusa.com