

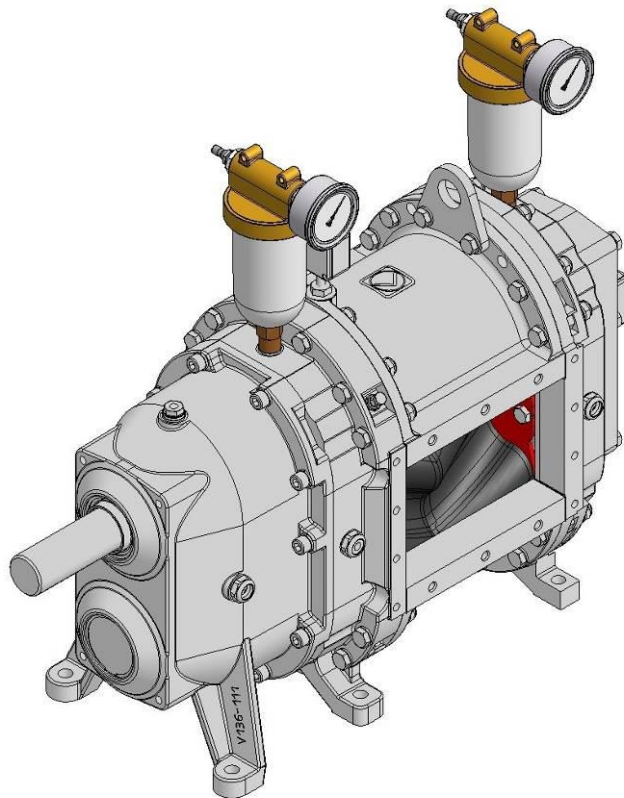


Spare Parts List

Explosion-Proof Rotary Lobe Pump

VX136QD

ENGINEERED TO WORK



Issuer

Vogelsang GmbH & Co. KG
Holthöge 10-14
49632 Essen/Oldb.

Phone: +49 54 34 83 0
Fax: +49 54 34 83 10

www.vogelsang.info
info@vogelsang.info

In the absence of express, written authorisation from the issuer, the reproduction or partial reproduction of this document in any form is prohibited.

We reserve the right to make technical modifications to the diagrams and information presented in this document in the event that such modifications become necessary for the enhancement of the machine.

© 2018 Vogelsang GmbH & Co. KG

Registered trademarks of Vogelsang

In selected countries, Vogelsang[®], RotaCut[®], HiFlo[®], ACC[®], CFC[®], BioCrack[®], XTill[®], EnergyJet[®], BioCut[®], CC-Serie[®], PreMix[®], ProTerra[®], VarioCrop[®] and XRipper[®] are registered trademarks of Vogelsang GmbH & Co. KG, Essen/Oldb., Germany.

All rights reserved, including graphics and images.

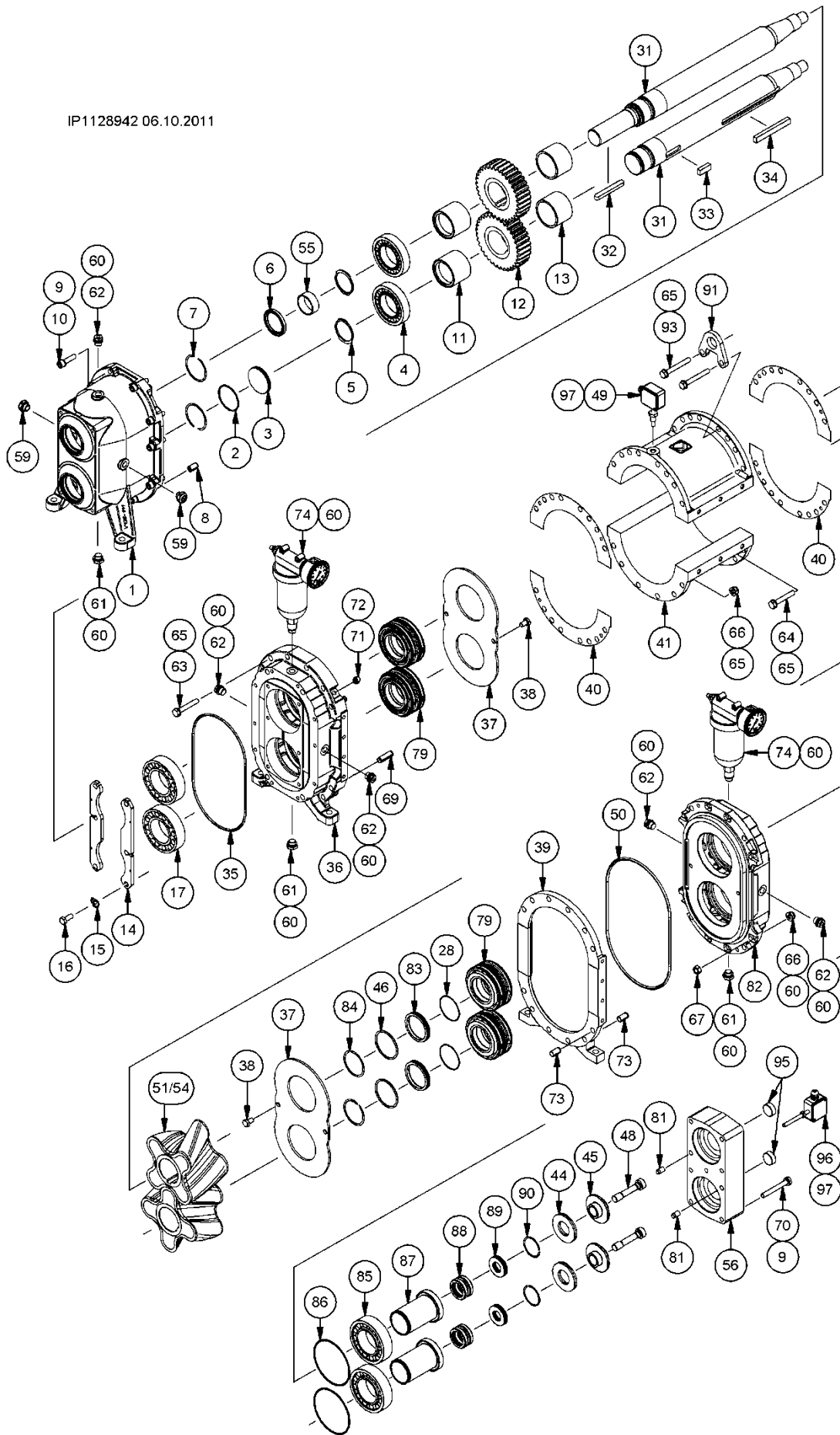
The registered trademarks are not always designated with an [®] symbol in this document.

Contents

Exploded view	4
Gearbox housing and accessories	5
Position 1-17	5
Motor shaft.....	5
Position 30-32	5
PTO shaft.....	6
Position 30/ 31	6
Fitting key	6
Position 33-34	6
Bearing seal housing + accessories	6
Position 35-36	6
Wear plate	6
Position 37-38	6
Cover flange	6
Position 39	6
Gasket for pump housing segment	6
Position 40	6
Pump housing segment.....	7
Position 41	7
Injection module pump housing segment without radial wear plate.....	8
Position 41	8
Injection module pump housing segment with radial wear plate	9
Position 41	9
Preload	10
Position 44-48	10
Temperature sensor.....	10
Position 49	10
O-ring	10
Position 50	10
Rotary lobes	11
HiFlo	12
Position 51+54	12
Rotary lobes; bi-lobe.....	15
Position 51	15
Solid material lobe	16
HiFlo	16
Position 51+54	16
O-ring for solid material rotary lobes	16
Position 52-53	16
Cover and accessories	17
Position 55-56	17
Bolts and accessories	17
Position 59-73	17
Buffer chamber enlargement	17
Position 74	17
Option: Intermediate flange.....	18
Position 75-78	18
Cartridge mechanical seal.....	19
Pos. 79.....	19
"Loose parts" for Cartridge mechanical seal	20
Bearing seal housing + accessories	21
Position 80-95	21
Temperature sensor.....	21
Position 96-97	21
Tools.....	22
Material for connectors.....	22
Required spare parts for rotary lobe change.....	23
Necessary spare parts for Cartridge mechanical seal change	24
Necessary spare parts for wear part replacement with Cartridge mechanical seal	25

Exploded view

IP1128942 06.10.2011



Gearbox housing and accessories

Position 1-17

Pos.	Part number	Description	Dimensions	Notes	Qty.	70	105	140	210	280	420
1	PGP.B111.T1	Gear box housing				1	1	1	1	1	1
2	DOR.086	O-ring	59 x 3	NBR; for motor shaft		1	1	1	1	1	1
	DOR.086.VI	O-ring	59 x 3	FPM; for motor shaft		1	1	1	1	1	1
3	PRS.B108	Plug disk for gear box housing		For motor shaft		1	1	1	1	1	1
4	NLG.029	Cylindrical roller bearing	ø55 x ø100			2	2	2	2	2	2
5	NSR.010	Retaining ring	AS 55 x 3	DIN 471		2	2	2	2	2	2
For motor shaft											
6	DWD.060.HNB	Radial shaft seal ring	50 x 65 x 7	HNBR		1	1	1	1	1	1
	DWD.058.VI	Radial shaft seal ring	50 x 65 x 7	FPM							
For PTO shaft											
6	DWD.060.HNB	Radial shaft seal ring	50 x 65 x 7	HNBR		2	2	2	2	2	2
	DWD.058.VI	Radial shaft seal ring	50 x 65 x 7	FPM							
7	NSR.034	Circlip	65 x 3.8 x 0.82			2	2	2	2	2	2
8	NSP.023	Spring pin	13 x 22	ISO 8752		4	4	4	4	4	4
	NSP.025	Spring pin	8 x 24	ISO 8752		4	4	4	4	4	4
9	NFR.003	Lock washer	ø10	DIN 127		16	16	16	16	16	16
10	NSI.001	Cylinder head bolt	M10 x 40	DIN 912		10	10	10	10	10	10
11	PRS.B006	Spacer sleeve		Floating bearing		2	2	2	2	2	2
12	PZH.003	Gear				2	2	2	2	2	2
13	PRS.B005	Spacer sleeve		Fixed bearing		2	2	2	2	2	2
14	PFL.B010	Fixing plate for bearing				2	2	2	2	2	2
15	NUS.066	Locking plate	10.5 mm	DIN 432		6	6	6	6	6	6
16	NSK.027	Hexagon head bolt	M10 x 25	DIN 933		6	6	6	6	6	6
17	NLG.026	Spherical roller bearing	22212 E1			2	2	2	2	2	2
	NLG.026.T1	Spherical roller bearing	22212 E	(Option)							
28	DOR.041	O-ring	60 x 2	NBR		2	2	2	2	2	2
	DOR.041.VI	O-ring	60 x 2	FPM							

Motor shaft

Position 30-32

Pos.	Part number	Description	Dimensions	Notes	Qty.	70	105	140	210	280	420
30	PWL.B007	Motor shaft	VX136-70-MK-QD	Short		1	-	-	-	-	-
	PWL.B008	Motor shaft	VX136-105-MK-QD	Short		-	1	-	-	-	-
	PWL.B009	Motor shaft	VX136-140-MK-QD	Short		-	-	1	-	-	-
	PWL.B010	Motor shaft	VX136-210-MK-QD	Short		-	-	-	1	-	-
	PWL.B011	Motor shaft	VX136-280-MK-QD	Short		-	-	-	-	1	-
	PWL.B012	Motor shaft	VX136-420-MK-QD	Short		-	-	-	-	-	1
31	PWL.B001	Motor shaft	VX136-70-MK-QD	Long		1	-	-	-	-	-
	PWL.B002	Motor shaft	VX136-105-ML-QD	Long		-	1	-	-	-	-
	PWL.B003	Motor shaft	VX136-140-ML-QD	Long		-	-	1	-	-	-
	PWL.B004	Motor shaft	VX136-210-ML-QD	Long		-	-	-	1	-	-
	PWL.B005	Motor shaft	VX136-280-ML-QD	Long		-	-	-	-	1	-
	PWL.B006	Motor shaft	VX136-420-ML-QD	Long		-	-	-	-	-	1
	PWL.B001.H	Hollow shaft ⁽⁷⁾	VX136-70-MH-QD			1	-	-	-	-	-
	PWL.B002.H	Hollow shaft ⁽⁷⁾	VX136-105-MH-QD			-	1	-	-	-	-
	PWL.B003.H	Hollow shaft ⁽⁷⁾	VX136-140-MH-QD			-	-	1	-	-	-
	PWL.B004.H	Hollow shaft ⁽⁷⁾	VX136-210-MH-QD			-	-	-	1	-	-
32	NPF.046	Fitting key	A 12 x 8 x 90	For motor shaft long		1	1	1	1	1	1

⁽⁷⁾ for hydraulic motor

PTO shaft**Position 30/ 31**

Pos.	Part number	Description	Dimensions	Notes	Qty.	70	105	140	210	280	420
30/31	PWL.B013	PTO shaft	VX136-70-S-QD			2	-	-	-	-	-
	PWL.B014	PTO shaft	VX136-105-S-QD			-	2	-	-	-	-
	PWL.B015	PTO shaft	VX136-140-S-QD			-	-	2	-	-	-
	PWL.B016	PTO shaft	VX136-210-S-QD			-	-	-	2	-	-
	PWL.B017	PTO shaft	VX136-280-S-QD			-	-	-	-	2	-
	PWL.B018	PTO shaft	VX136-420-S-QD			-	-	-	-	-	2

Fitting key**Position 33-34**

Pos.	Part number	Description	Dimensions	Notes	Qty.	70	105	140	210	280	420
33	NPF.022	Fitting key	B 14 x 9 x 35	DIN 6885		2	2	2	2	2	2
34	NPF.010	Fitting key	B 14 x 9 x 28			2	-	-	-	-	-
	NPF.011	Fitting key	B 14 x 9 x 56			-	2	-	2	2	2
	NPF.023	Fitting key	B 14 x 9 x 90			-	-	-	-	4	-
	NPF.013	Fitting key	B 14 x 9 x 100			-	-	2	-	-	2
	NPF.012	Fitting key	B 14 x 9 x 110			-	-	-	2	-	4

Bearing seal housing + accessories**Position 35-36**

Pos.	Part number	Description	Dimensions	Notes	Qty.	70	105	140	210	280	420
35	DOR.035	O-ring	245 x 5	NBR		1	1	1	1	1	1
	DOR.035.VI	O-ring	245 x 5	FPM							
36	PGP.B110.T1	Bearing cover				1	1	1	1	1	1
	PGP.B110.T2	Bearing cover		Option: intermediate flange							

Wear plate**Position 37-38**

Pos.	Part number	Description	Dimensions	Notes	Qty.	70	105	140	210	280	420
37	PFL.B009	Wear plate				2	2	2	2	2	2
	PFL.B009.G1	Wear plate		Coated with tungsten carbide							
38	NSK.025.EE	Hexagon head bolt	M 10 x 16	DIN 933		4	4	4	4	4	4

Cover flange**Position 39**

Pos.	Part number	Description	Dimensions	Notes	Qty.	70	105	140	210	280	420
39	PGP.B004.T1	Ring flange				1	1	1	1	1	1

Gasket for pump housing segment**Position 40**

Pos.	Part number	Description	Dimensions	Notes	Qty.	70	105	140	210	280	420
40	DAD.007	Gasket		Asbestos-free		4	4	4	4	6	6

Pump housing segment

Position 41

Pos.	Part number	Description	Dimensions	Notes	Qty.	70	105	140	210	280	420
------	-------------	-------------	------------	-------	------	----	-----	-----	-----	-----	-----



41	PGP.015	Pump housing segment	70	0.6025		2	-	-	-	-	-
	PGP.100	Pump housing segment	105	0.6025		-	2	-	-	-	-
	PGP.013	Pump housing segment	140	0.6025		-	-	2	-	4	-
	PGP.014	Pump housing segment	210	0.6025		-	-	-	2	-	4
	PGP.015.G1	Pump housing segment	70	Tungsten carbide coated		2	-	-	-	-	-
	PGP.100.G1	Pump housing segment	105	Tungsten carbide coated		-	2	-	-	-	-
	PGP.013.G1	Pump housing segment	140	Tungsten carbide coated		-	-	2	-	4	-
	PGP.014.G1	Pump housing segment	210	Tungsten carbide coated		-	-	-	2	-	4
	PGP.015.G2	Pump housing segment	70	EN-JS-1100 (ADI)		2	-	-	-	-	-
	PGP.100.G2	Pump housing segment	105	EN-JS-1100 (ADI)		-	2	-	-	-	-
	PGP.013.G2	Pump housing segment	140	EN-JS-1100 (ADI)		-	-	2	-	4	-
	PGP.014.G2	Pump housing segment	210	EN-JS-1100 (ADI)		-	-	-	2	-	4



Injection A

41	PGP0084	Pump housing segment	70	0.6025		2	-	-	-	-	-
	PGP0085	Pump housing segment	105	0.6025		-	2	-	-	-	-
	PGP0081	Pump housing segment	140	0.6025		-	-	2	-	4	-
	PGP0083	Pump housing segment	210	0.6025		-	-	-	2	-	4
	PGP0198	Pump housing segment	70	Tungsten carbide coated		2	-	-	-	-	-
	PGP0119	Pump housing segment	105	Tungsten carbide coated		-	2	-	-	-	-
	PGP0121	Pump housing segment	140	Tungsten carbide coated		-	-	2	-	4	-
	PGP0109	Pump housing segment	70	EN-JS-1100 (ADI)		2	-	-	-	-	-
	PGP0107	Pump housing segment	105	EN-JS-1100 (ADI)		-	2	-	-	-	-
	PGP0110	Pump housing segment	140	EN-JS-1100 (ADI)		-	-	2	-	4	-
	PGP0111	Pump housing segment	210	EN-JS-1100 (ADI)		-	-	-	2	-	4

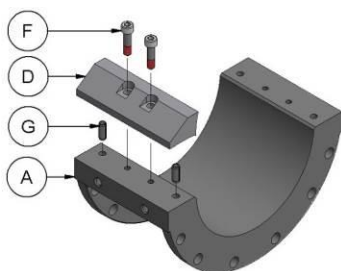


Injection S

41	PGP.B122	Pump housing segment	70	0.6025		2	-	-	-	-	-
	PGP.B123	Pump housing segment	105	0.6025		-	2	-	-	-	-
	PGP.B120	Pump housing segment	140	0.6025		-	-	2	-	4	-
	PGP.B121	Pump housing segment	210	0.6025		-	-	-	2	-	4
	PGP.B122.G1	Pump housing segment	70	Tungsten carbide coated		2	-	-	-	-	-
	PGP.B123.G1	Pump housing segment	105	Tungsten carbide coated		-	2	-	-	-	-
	PGP.B120.G1	Pump housing segment	140	Tungsten carbide coated		-	-	2	-	4	-
	PGP.B121.G1	Pump housing segment	210	Tungsten carbide coated		-	-	-	2	-	4
	PGP.B122.G2	Pump housing segment	70	EN-JS-1100 (ADI)		2	-	-	-	-	-
	PGP.B123.G2	Pump housing segment	105	EN-JS-1100 (ADI)		-	2	-	-	-	-
	PGP.B120.G2	Pump housing segment	140	EN-JS-1100 (ADI)		-	-	2	-	4	-
	PGP.B121.G2	Pump housing segment	210	EN-JS-1100 (ADI)		-	-	-	2	-	4

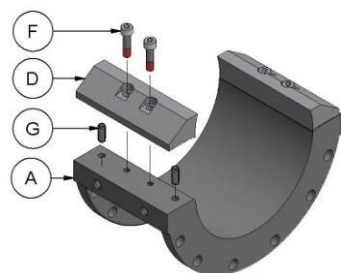
Injection module pump housing segment without radial wear plate

Position 41



Injection A

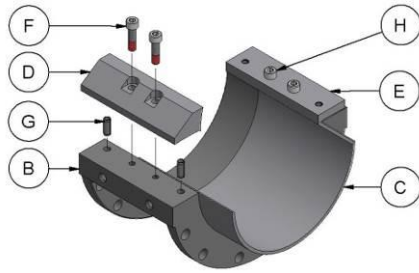
Pos.	Part number	Description	Dimensions	Notes	Qty.	70	105	140	210	280	420
A	PGP0302	Pump housing segment	70			2	-	-	-	-	-
	PGP0300	Pump housing segment	105			-	2	-	-	-	-
	PGP0298	Pump housing segment	140			-	-	2	-	4	-
	PGP0304	Pump housing segment	210			-	-	-	2	-	4
D	PGP1023	Injection Module	70			2	-	-	-	-	-
	PGP1024	Injection Module	105			-	2	-	-	-	-
	PGP1025	Injection Module	140			-	-	2	-	4	-
	PGP1026	Injection Module	210			-	-	-	2	-	4
F	NSI0207	Cylinder head bolt	M 8 x 30 mm	ISO 4762		4	4	4	4	8	8
G	NSP0019	Spring pin	8 mm x 20 mm	ISO 13337		4	4	4	4	8	8



Injection S

Pos.	Part number	Description	Dimensions	Notes	Qty.	70	105	140	210	280	420
A	PGP0302	Pump housing segment	70			2	-	-	-	-	-
	PGP0300	Pump housing segment	105			-	2	-	-	-	-
	PGP0298	Pump housing segment	140			-	-	2	-	4	-
	PGP0304	Pump housing segment	210			-	-	-	2	-	4
D	PGP1023	Injection Module	70			4	-	-	-	-	-
	PGP1024	Injection Module	105			-	4	-	-	-	-
	PGP1025	Injection Module	140			-	-	4	-	8	-
	PGP1026	Injection Module	210			-	-	-	4	-	8
F	NSI0207	Cylinder head bolt	M 8 x 30 mm	ISO 4762		8	8	8	8	16	16
G	NSP0019	Spring pin	8 mm x 20 mm	ISO 13337		8	8	8	8	16	16

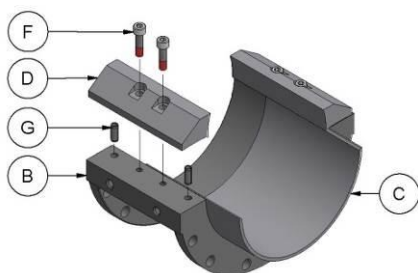
Injection module pump housing segment with radial wear plate
Position 41



Injection A

Pos.	Part number	Description	Dimensions	Notes	Qty.	70	105	140	210	280	420
B	PGP0303	Pump housing segment	70	Radial wear plate		2	-	-	-	-	-
	PGP0301	Pump housing segment	105	Radial wear plate		-	2	-	-	-	-
	PGP0299	Pump housing segment	140	Radial wear plate		-	-	2	-	4	-
	PGP0305	Pump housing segment	210	Radial wear plate		-	-	-	2	-	4
C	PFL0145	Wear plate	70	Radial		2	-	-	-	-	-
	PFL0147	Wear plate	105	Radial		-	2	-	-	-	-
	RFL3943	Wear plate	140	Radial		-	-	2	-	2	-
	PFL0148	Wear plate	210	Radial		-	-	-	2	-	2
D	PGP1023	Injection Module	70			2	-	-	-	-	-
	PGP1024	Injection Module	105			-	2	-	-	-	-
	PGP1025	Injection Module	140			-	-	2	-	4	-
	PGP1026	Injection Module	210			-	-	-	2	-	4
E	PGP0556	Module, straight	70			2	-	-	-	-	-
	PGP0557	Module, straight	105			-	2	-	-	-	-
	PGP0558	Module, straight	140			-	-	2	-	4	-
	PGP0559	Module, straight	210			-	-	-	2	-	4
F	NSI0207	Cylinder head bolt	M 8 x 30 mm	ISO 4762		4	4	4	4	8	8
G	NSP0019	Spring pin	8 mm x 20 mm	ISO 13337		8	8	8	8	16	16
H	NSI0206	Cylinder head bolt	M 8 x 20 mm	ISO 4762		4	4	4	4	8	8

Continuation see next page



Injection S

Pos.	Part number	Description	Dimensions	Notes	Qty.	70	105	140	210	280	420
B	PGP0303	Pump housing segment	70	Radial wear plate		2	-	-	-	-	-
	PGP0301	Pump housing segment	105	Radial wear plate		-	2	-	-	-	-
	PGP0299	Pump housing segment	140	Radial wear plate		-	-	2	-	4	-
	PGP0305	Pump housing segment	210	Radial wear plate		-	-	-	2	-	4
C	PFL0145	Wear plate	70	Radial		2	-	-	-	-	-
	PFL0147	Wear plate	105	Radial		-	2	-	-	-	-
	RFL3943	Wear plate	140	Radial		-	-	2	-	2	-
	PFL0148	Wear plate	210	Radial		-	-	-	2	-	2
D	PGP1023	Injection Module	70			4	-	-	-	-	-
	PGP1024	Injection Module	105			-	4	-	-	-	-
	PGP1025	Injection Module	140			-	-	4	-	8	-
	PGP1026	Injection Module	210			-	-	-	4	-	8
F	NSI0207	Cylinder head bolt	M 8 x 30 mm	ISO 4762		8	8	8	8	16	16
G	NSP0019	Spring pin	8 mm x 20 mm	ISO 13337		8	8	8	8	16	16

Preload

Position 44-48

Pos.	Part number	Description	Dimensions	Notes	Qty.	70	105	140	210	280	420
44	NTF.002	Disk spring	71 x 36 x 4	DIN 2093		4	4	4	4	4	4
45	PRS.B117	Pressure disk				2	2	2	2	2	2
46	DOR.043	O-ring	64 x 4	NBR		2	2	2	2	2	2
	DOR.043.VI	O-ring	64 x 4	FPM							
48	PRS.102	Strain bolt	M16			2	2	2	2	2	2

Temperature sensor

Position 49

Pos.	Part number	Description	Dimensions	Notes	Qty.	70	105	140	210	280	420
49	SSS.073.N1	Temperature sensor	PT100			1	1	1	1	1	1
	PRS.128	Reducing screw		M12 outside/ M8 inside		1	1	1	1	1	1

Loose parts for ATEX:

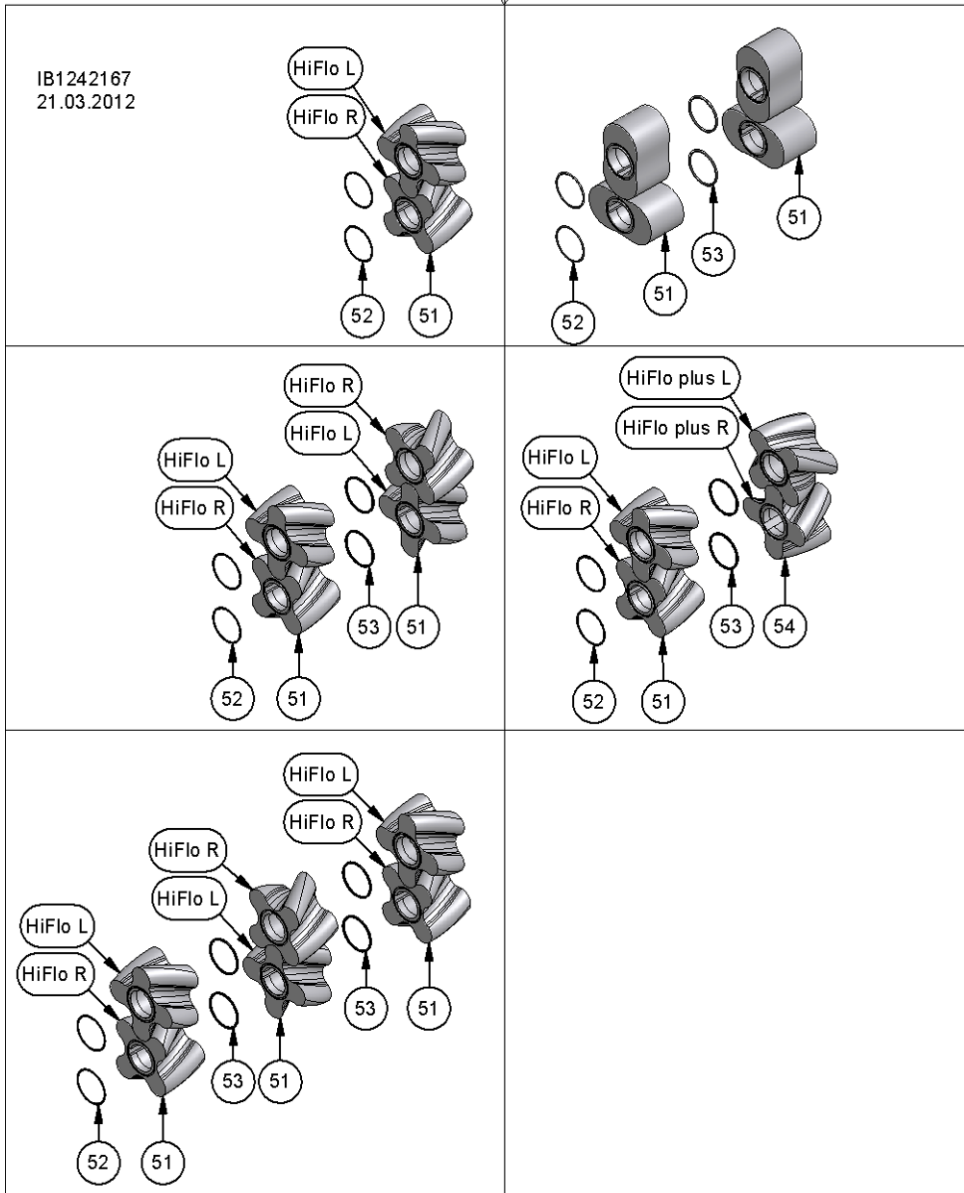
	NKS.006	Lifting eye bolt	M12	As "loose parts".		1	1	1	1	2	2
--	---------	------------------	-----	-------------------	--	---	---	---	---	---	---

O-ring

Position 50

Pos.	Part number	Description	Dimensions	Notes	Qty.	70	105	140	210	280	420
50	DOR.051	O-ring	280 x 6	NBR							
	DOR.051.EP	O-ring	280 x 6	EPDM							
	DOR.051.VI	O-ring	280 x 6	FPM							
	DOR.051.PT	O-ring	280 x 6	Silicone FEP coated							
						1	1	1	1	1	1

Rotary lobes



HiFlo
Position 51+54

HiFlo SBR

Pos.	Part number	Description	Dimensions	Notes	Qty.	70	105	140	210	280	420
51	PKB.B101.TL	Rotary lobe	70-4K45-L HiFlo	SBR		1	-	-	-	-	-
	PKB.B101.TR	Rotary lobe	70-4K45-R HiFlo	SBR		1	-	-	-	-	-
	PKB.B102.TL	Rotary lobe	105-4K45-L HiFlo	SBR		-	1	-	2 (1)	-	-
	PKB.B102.TR	Rotary lobe	105-4K45-R HiFlo	SBR		-	1	-	2 (1)	-	-
	PKB.B103.TL	Rotary lobe	140-4K45-L HiFlo	SBR		-	-	1	-	2 (1)	3
	PKB.B103.TR	Rotary lobe	140-4K45-R HiFlo	SBR		-	-	1	-	2 (1)	3
54		Rotary lobe	105-4K45-L HiFloplus	SBR		-	-	-	(1)	-	-
		Rotary lobe	105-4K45-R HiFloplus	SBR		-	-	-	(1)	-	-
		Rotary lobe	140-4K45-L HiFloplus	SBR		-	-	-	-	(1)	-
		Rotary lobe	140-4K45-R HiFloplus	SBR		-	-	-	-	(1)	-

HiFlo NBR

Pos.	Part number	Description	Dimensions	Notes	Qty.	70	105	140	210	280	420
51	PKB.B101.TL.NB	Rotary lobe	70-4K45-L HiFlo	NBR		1	-	-	-	-	-
	PKB.B101.TR.NB	Rotary lobe	70-4K45-R HiFlo	NBR		1	-	-	-	-	-
	PKB.B102.TL.NB	Rotary lobe	105-4K45-L HiFlo	NBR		-	1	-	2 (1)	-	-
	PKB.B102.TR.NB	Rotary lobe	105-4K45-R HiFlo	NBR		-	1	-	2 (1)	-	-
	PKB.B103.TL.NB	Rotary lobe	140-4K45-L HiFlo	NBR		-	-	1	-	2 (1)	3
	PKB.B103.TR.NB	Rotary lobe	140-4K45-R HiFlo	NBR		-	-	1	-	2 (1)	3
	PKB.B101.TL.NBW	Rotary lobe	70-4K45-L HiFlo	NBR white		1	-	-	-	-	-
	PKB.B101.TR.NBW	Rotary lobe	70-4K45-R HiFlo	NBR white		1	-	-	-	-	-
	PKB.B102.TL.NBW	Rotary lobe	105-4K45-L HiFlo	NBR white		-	1	-	2 (1)	-	-
	PKB.B102.TR.NBW	Rotary lobe	105-4K45-R HiFlo	NBR white		-	1	-	2 (1)	-	-
	PKB.B103.TL.NBW	Rotary lobe	140-4K45-L HiFlo	NBR white		-	-	1	-	2 (1)	3
	PKB.B103.TR.NBW	Rotary lobe	140-4K45-R HiFlo	NBR white		-	-	1	-	2 (1)	3
54	PKB0011	Rotary lobe	105-4K45-L HiFloplus	NBR		-	-	-	(1)	-	-
	PKB0012	Rotary lobe	105-4K45-R HiFloplus	NBR		-	-	-	(1)	-	-
	PKB0009	Rotary lobe	140-4K45-L HiFloplus	NBR		-	-	-	-	(1)	-
	PKB0010	Rotary lobe	140-4K45-R HiFloplus	NBR		-	-	-	-	(1)	-
		Rotary lobe	105-4K45-L HiFloplus	NBR white		-	-	-	(1)	-	-
		Rotary lobe	105-4K45-R HiFloplus	NBR white		-	-	-	(1)	-	-
		Rotary lobe	140-4K45-L HiFloplus	NBR white		-	-	-	-	(1)	-
	Rotary lobe	140-4K45-R HiFloplus	NBR white		-	-	-	-	(1)	-	

() quantity for HiFlo plus

HiFlo EPDM

Pos.	Part number	Description	Dimensions	Notes	Qty.	70	105	140	210	280	420
51	PKB.B101.TL.SL	Rotary lobe	70-4K45-L HiFlo	EPDM-SL		1	-	-	-	-	-
	PKB.B101.TR.SL	Rotary lobe	70-4K45-R HiFlo	EPDM-SL		1	-	-	-	-	-
	PKB.B102.TL.SL	Rotary lobe	105-4K45-L HiFlo	EPDM-SL		-	1	-	2 (1)	-	-
	PKB.B102.TR.SL	Rotary lobe	105-4K45-R HiFlo	EPDM-SL		-	1	-	2 (1)	-	-
	PKB.B103.TL.SL	Rotary lobe	140-4K45-L HiFlo	EPDM-SL		-	-	1	-	2 (1)	3
	PKB.B103.TR.SL	Rotary lobe	140-4K45-R HiFlo	EPDM-SL		-	-	1	-	2 (1)	3
	PKB.B101.TL.EPW	Rotary lobe	70-4K45-L HiFlo	EPDM white		1	-	-	-	-	-
	PKB.B101.TR.EPW	Rotary lobe	70-4K45-R HiFlo	EPDM white		1	-	-	-	-	-
	PKB.B102.TL.EPW	Rotary lobe	105-4K45-L HiFlo	EPDM white		-	1	-	2 (1)	-	-
	PKB.B102.TR.EPW	Rotary lobe	105-4K45-R HiFlo	EPDM white		-	1	-	2 (1)	-	-
	PKB.B103.TL.EPW	Rotary lobe	140-4K45-L HiFlo	EPDM white		-	-	1	-	2 (1)	3
	PKB.B103.TR.EPW	Rotary lobe	140-4K45-R HiFlo	EPDM white		-	-	1	-	2 (1)	3
54		Rotary lobe	105-4K45-L HiFloplus	EPDM-SL		-	-	-	(1)	-	-
		Rotary lobe	105-4K45-R HiFloplus	EPDM-SL		-	-	-	(1)	-	-
	PKB0013	Rotary lobe	140-4K45-L HiFloplus	EPDM-SL		-	-	-	-	(1)	-
	PKB0014	Rotary lobe	140-4K45-R HiFloplus	EPDM-SL		-	-	-	-	(1)	-
		Rotary lobe	105-4K45-L HiFloplus	EPDM white		-	-	-	(1)	-	-
		Rotary lobe	105-4K45-R HiFloplus	EPDM white		-	-	-	(1)	-	-
		Rotary lobe	140-4K45-L HiFloplus	EPDM white		-	-	-	-	(1)	-
		Rotary lobe	140-4K45-R HiFloplus	EPDM white		-	-	-	-	(1)	-

HiFlo FPM

Pos.	Part number	Description	Dimensions	Notes	Qty.	70	105	140	210	280	420
51	PKB.B101.TL.VI	Rotary lobe	70-4K45-L HiFlo	FPM ⁽¹⁾		1	-	-	-	-	-
	PKB.B101.TR.VI	Rotary lobe	70-4K45-R HiFlo	FPM ⁽¹⁾		1	-	-	-	-	-
	PKB.B102.TL.VI	Rotary lobe	105-4K45-L HiFlo	FPM ⁽¹⁾		-	1	-	2 (1)	-	-
	PKB.B102.TR.VI	Rotary lobe	105-4K45-R HiFlo	FPM ⁽¹⁾		-	1	-	2 (1)	-	-
	PKB.B103.TL.VI	Rotary lobe	140-4K45-L HiFlo	FPM ⁽¹⁾		-	-	1	-	2 (1)	3
	PKB.B103.TR.VI	Rotary lobe	140-4K45-R HiFlo	FPM ⁽¹⁾		-	-	1	-	2 (1)	3
54		Rotary lobe	105-4K45-L HiFloplus	FPM ⁽¹⁾		-	-	-	(1)	-	-
		Rotary lobe	105-4K45-R HiFloplus	FPM ⁽¹⁾		-	-	-	(1)	-	-
		Rotary lobe	140-4K45-L HiFloplus	FPM ⁽¹⁾		-	-	-	-	(1)	-
		Rotary lobe	140-4K45-R HiFloplus	FPM ⁽¹⁾		-	-	-	-	(1)	-

⁽¹⁾ max. 6 bar [87 psi], please pay attention to the admissible pressure of pump!

() quantity for HiFlo *plus*

HiFlo WEROBUST

Pos.	Part number	Description	Dimensions	Notes	Qty.	70	105	140	210	280	420
51	PKB.B101.TL.PU	Rotary lobe	70-4K45-L HiFlo	WEROBUST ⁽²⁾		1	-	-	-	-	-
	PKB.B101.TR.PU	Rotary lobe	70-4K45-R HiFlo	WEROBUST ⁽²⁾		1	-	-	-	-	-
	PKB.B102.TL.PU	Rotary lobe	105-4K45-L HiFlo	WEROBUST ⁽²⁾		-	1	-	2 (1)	-	-
	PKB.B102.TR.PU	Rotary lobe	105-4K45-R HiFlo	WEROBUST ⁽²⁾		-	1	-	2 (1)	-	-
	PKB.B103.TL.PU	Rotary lobe	140-4K45-L HiFlo	WEROBUST ⁽²⁾		-	-	1	-	2 (1)	3
	PKB.B103.TR.PU	Rotary lobe	140-4K45-R HiFlo	WEROBUST ⁽²⁾		-	-	1	-	2 (1)	3
54		Rotary lobe	105-4K45-L HiFloplus	WEROBUST ⁽²⁾		-	-	-	(1)	-	-
		Rotary lobe	105-4K45-R HiFloplus	WEROBUST ⁽²⁾		-	-	-	(1)	-	-
		Rotary lobe	140-4K45-L HiFloplus	WEROBUST ⁽²⁾		-	-	-	-	(1)	-
		Rotary lobe	140-4K45-R HiFloplus	WEROBUST ⁽²⁾		-	-	-	-	(1)	-

⁽²⁾ Attention! Usable up to 50°C medium temperature, only!

HiFlo CSM Hypalon

Pos.	Part number	Description	Dimensions	Notes	Qty.	70	105	140	210	280	420
51	PKB.B101.TL.CSM	Rotary lobe	70-4K45-L HiFlo	CSM		1	-	-	-	-	-
	PKB.B101.TR.CSM	Rotary lobe	70-4K45-R HiFlo	CSM		1	-	-	-	-	-
	PKB.B102.TL.CSM	Rotary lobe	105-4K45-L HiFlo	CSM		-	1	-	2 (1)	-	-
	PKB.B102.TR.CSM	Rotary lobe	105-4K45-R HiFlo	CSM		-	1	-	2 (1)	-	-
54	PKB0039	Rotary lobe	105-4K45-L HiFloplus	CSM		-	-	-	(1)	-	-
	PKB0040	Rotary lobe	105-4K45-R HiFloplus	CSM		-	-	-	(1)	-	-

() quantity for HiFlo plus

HiFlo PUR

Pos.	Part number	Description	Dimensions	Notes	Qty.	70	105	140	210	280	420
51	PKD0099	Rotary lobe	105 3F60L	PUR		-	1	-	2	-	-
	PKD0100	Rotary lobe	105 3F60R	PUR		-	1	-	2	-	-
	PKD0097	Rotary lobe	140 3F60L	PUR		-	-	1	-	2	3
	PKD0098	Rotary lobe	140 3F60R	PUR		-	-	1	-	2	3

Rotary lobes; bi-lobe
Position 51

Pos.	Part number	Description	Dimensions	Notes	Qty.	70	105	140	210	280	420
51	PKB.B018.Q	Rotary lobes; bi-lobe	70	NBR		2	-	-	-	-	-
	PKB.B035.Q	Rotary lobes; bi-lobe	105	NBR		-	2	-	4	-	-
	PKB.B028.Q	Rotary lobes; bi-lobe	140	NBR		-	-	2	-	4	6
	PKB.B018.QF	Rotary lobes; bi-lobe	70	NBR large rubber line		2	-	-	-	-	-
	PKB.B035.QF	Rotary lobes; bi-lobe	105	NBR large rubber line		-	2	-	4	-	-
	PKB.B018.QW	Rotary lobes; bi-lobe	70	NBR white		2	-	-	-	-	-
	PKB.B028.QW	Rotary lobes; bi-lobe	140	NBR white		-	-	2	-	4	6
	PKB.B016.Q	Rotary lobes; bi-lobe	70	SBR 70		2	-	-	-	-	-
	PKB.B033.Q	Rotary lobes; bi-lobe	105	SBR 70		-	2	-	4		
	PKB.B026.Q	Rotary lobes; bi-lobe	140	SBR 70		-	-	2	-	4	6
	PKB.B021.Q.SL	Rotary lobes; bi-lobe	70	EPDM-SL		2	-	-	-	-	-
	PKB.B034.Q.SL	Rotary lobes; bi-lobe	105	EPDM-SL		-	2	-	4	-	-
	PKB.B030.Q.SL	Rotary lobes; bi-lobe	140	EPDM-SL		-	-	2	-	4	6
	PKB.B022.Q	Rotary lobes; bi-lobe	70	FPM ⁽¹⁾		2	-	-	-	-	-
	PKB.B037.Q	Rotary lobes; bi-lobe	105	FPM ⁽¹⁾		-	2	-	4	-	-
	PKB.B031.Q	Rotary lobes; bi-lobe	140	FPM ⁽¹⁾		-	-	2	-	4	6
	PKB.B023.Q	Rotary lobes; bi-lobe	70	WEROBUST ⁽²⁾		2	-	-	-	-	-
PKB.B036.Q	Rotary lobes; bi-lobe	105	WEROBUST ⁽²⁾		-	2	-	4	-	-	
PKB.B025.Q	Rotary lobes; bi-lobe	140	WEROBUST ⁽²⁾		-	-	2	-	4	6	
51/54	PKB.B041.N1	Rotary lobe; bi-lobe ⁽³⁾	70	1.0503 nitrided (C45)		2	-	-	-	-	-
	PKB.B042.N1	Rotary lobe; bi-lobe ⁽³⁾	105	1.0503 nitrided (C45)		-	2	-	4	-	-
	PKB.B043.N1	Rotary lobe; bi-lobe ⁽³⁾	140	1.0503 nitrided (C45)		-	-	2	-	4	6
	PKB.B023.Q	Rotary lobe; bi-lobe ⁽³⁾	70	POM		2	-	-	-	-	-
	PKB.B036.Q	Rotary lobe; bi-lobe ⁽³⁾	105	POM		-	2	-	4	-	-
	PKB.B025.Q	Rotary lobe; bi-lobe ⁽³⁾	140	POM		-	-	2	-	4	6
	PKB0036	Rotary lobe; bi-lobe ⁽³⁾	70	1.7131 hardened		2	-	-	-	-	-
PKB0019	Rotary lobe; bi-lobe ⁽³⁾	105	1.7131 hardened		-	2	-	4	-	-	

⁽¹⁾ max. 6 bar [87 psi], please pay attention to the admissible pressure of pump!

⁽²⁾ Attention! Usable up to 50°C medium temperature, only!

⁽³⁾ + O-ring for solid material lobe

Solid material lobe

HiFlo

Position 51+54

Pos.	Part number	Description	Dimensions	Notes	Qty.	70	105	140	210	280	420
1.0503 (steel)											
51	PKB.B104.N1.TL	Rotary lobe ⁽³⁾	70 4K45 L HiFlo	1.0503 nitrided		1	-	-	-	-	-
	PKB.B104.N1.TR	Rotary lobe ⁽³⁾	70 4K45 R HiFlo	1.0503 nitrided		1	-	-	-	-	-
	PKB.B105.N1.TL	Rotary lobe ⁽³⁾	105 4K45 L HiFlo	1.0503 nitrided		-	1	-	2 (1)	-	-
	PKB.B105.N1.TR	Rotary lobe ⁽³⁾	105 4K45 R HiFlo	1.0503 nitrided		-	1	-	2 (1)	-	-
	PKB.B106.N1.TL	Rotary lobe ⁽³⁾	140 4K45 L HiFlo	1.0503 nitrided		-	-	1	-	2 (1)	3
	PKB.B106.N1.TR	Rotary lobe ⁽³⁾	140 4K45 R HiFlo	1.0503 nitrided		-	-	1	-	2 (1)	3
54		Rotary lobe ⁽³⁾	105 4K45 L HiFloplus	1.0503 nitrided		-	-	-	(1)	-	-
		Rotary lobe ⁽³⁾	105 4K45 R HiFloplus	1.0503 nitrided		-	-	-	(1)	-	-
		Rotary lobe ⁽³⁾	140 4K45 L HiFloplus	1.0503 nitrided		-	-	-	-	(1)	-
		Rotary lobe ⁽³⁾	140 4K45 R HiFloplus	1.0503 nitrided		-	-	-	-	(1)	-
POM											
51	PKB.B101.TL.POM	Rotary lobe ⁽³⁾	70 4K45 L HiFlo	POM		1	-	-	-	-	-
	PKB.B101.TR.POM	Rotary lobe ⁽³⁾	70 4K45 R HiFlo	POM		1	-	-	-	-	-
	PKB.B102.TL.POM	Rotary lobe ⁽³⁾	105 4K45 L HiFlo	POM		-	1	-	2 (1)	-	-
	PKB.B102.TR.POM	Rotary lobe ⁽³⁾	105 4K45 R HiFlo	POM		-	1	-	2 (1)	-	-
	PKB0015	Rotary lobe ⁽³⁾	140 4K45 L HiFlo	POM		-	-	1	-	2 (1)	3
	PKB0016	Rotary lobe ⁽³⁾	140 4K45 R HiFlo	POM		-	-	1	-	2 (1)	3
54		Rotary lobe ⁽³⁾	105 4K45 L HiFloplus	POM		-	-	-	(1)	-	-
		Rotary lobe ⁽³⁾	105 4K45 R HiFloplus	POM		-	-	-	(1)	-	-
	PKB0017	Rotary lobe ⁽³⁾	140 4K45 L HiFloplus	POM		-	-	-	-	(1)	-
	PKB0018	Rotary lobe ⁽³⁾	140 4K45 R HiFloplus	POM		-	-	-	-	(1)	-
CSM											
51	PKB0020	Rotary lobe ⁽³⁾	105 3K60 L HiFlo	1.7131 hardened		-	1	-	2	-	-
	PKB0021	Rotary lobe ⁽³⁾	105 3K60 R HiFlo	1.7131 hardened		-	1	-	2	-	-
	PKB0034	Rotary lobe ⁽³⁾	140 3K60 L HiFlo	1.7131 hardened		-	-	1	-	2	3
	PKB0035	Rotary lobe ⁽³⁾	140 3K60R HiFlo	1.7131 hardened		-	-	1	-	2	3

⁽³⁾ + O-ring for solid material lobe

() quantity for HiFlo plus

O-ring for solid material rotary lobes

Position 52-53

Pos.	Part number	Description	Dimensions	Notes	Qty.	70	105	140	210	280	420
52	DOR.039	O-ring ⁽⁵⁾	80 x 2.5	NBR		4	4	4	4	4	4
	DOR.039.EP	O-ring ⁽⁵⁾	80 x 2.5	EPDM							
	DOR.039.VI	O-ring ⁽⁵⁾	80 x 2.5	FPM							
	DOR.039.PT	O-ring ⁽⁵⁾	80 x 2.5	Silicone FEP coated							
53	DOR.162	O-ring ⁽⁵⁾	80 x 4	NBR		-	-	-	2	2	4
	DOR.162.EP	O-ring ⁽⁵⁾	80 x 4	EPDM							
	DOR.162.VI	O-ring ⁽⁵⁾	80 x 4	FPM							
	DOR.162.PT	O-ring ⁽⁵⁾	80 x 4	Silicone FEP coated							

⁽⁵⁾ for solid material lobe

Cover and accessories

Position 55-56

Pos.	Part number	Description	Dimensions	Notes	Qty.	70	105	140	210	280	420
55	NIR.019	Inner ring	JR 45 x 50 x 20	For motor shaft		1	1	1	1	1	1
				For PTO shaft		2	2	2	2	2	2
56	PFL.B011.T5.N1	Cover				1	1	1	1	1	1

Bolts and accessories

Position 59-73

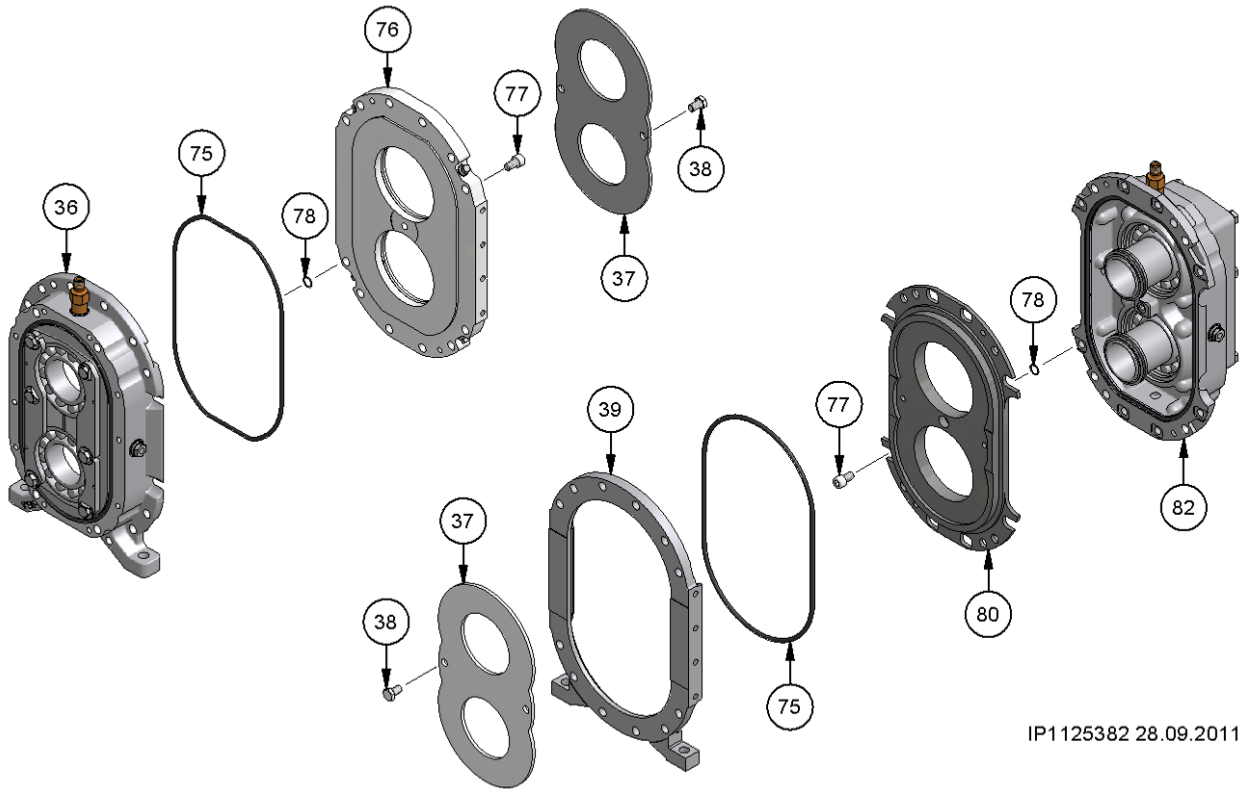
Pos.	Part number	Description	Dimensions	Notes	Qty.	70	105	140	210	280	420
59	PSG.017	Sight glass	M16 x 1.5			2	2	2	2	2	2
60	DKR.005	Copper ring	C16 x 22 x 2	DIN 7603		8	8	8	8	8	8
61	NSK.088	Screw plug	M16 x 1.5	Magnetic		3	3	3	3	3	3
62	NSK.081	Hex socket screw plug	M16 x 1,5	DIN 910		1	1	1	1	1	1
63	NSK.072	Hexagon head bolt	M10 x 65	DIN 931		-	12	12	12	12	12
64	NSK0055	Hexagon head bolt	M10 x 65	DIN 933		-	12	12	10	12	12
	NGS0001	Threaded bolt	M10 x 180	DIN 976		12	-	-	-	-	-
65	NUS.004	Washer	A 10.5 x 20 x 2	DIN 125		-	48	48	48	72	72
66	NMK.001	Hexagon nut	M10	DIN 985-8		-	24	24	24	36	36
	NMK.018	Hexagon nut	M10	DIN 6331		24	-	-	-	-	-
67	NMS.003	Hexagon nut	M10			8	8	8	8	8	8
69	NSP.004	Spring pin	13 x 40	DIN 7346		4	4	4	4	4	4
70	NSK.010	Hexagon head bolt	M10 x 80	DIN 933		6	6	6	6	6	6
73	NSP.013	Spring pin	13 x 24	DIN 7346		8	8	8	8	8	8

Buffer chamber enlargement

Position 74

Pos.	Part number	Description	Dimensions	Notes	Qty.	70	105	140	210	280	420
74	PSG.014	Buffer fluid canister		Pressurized		2	2	2	2	2	2
	PSG.014.T1	Quench fluid canister		Ventilated (Option)							
	PSV.002.N1	Pressure valve		(Option)							

Option: Intermediate flange
Position 75-78



IP1125382 28.09.2011

Pos.	Part number	Description	Dimensions	Notes	Qty.	70	105	140	210	280	420
75	DOR0049	O-ring	282 x 4	NBR					2		
	DOR0050	O-ring	282 x 4	FPM							
76	PGP.B112.N1	Intermediate flange							1		
77	NSI.096.EE	Cylinder head bolt	M 10 x 18						2		
78	DOR.040	O-ring	12 x 2	NBR					2		
	DOR.040.EP	O-ring	12 x 2	EPDM							
	DOR.040.VI	O-ring	12 x 2	FPM							
	DOR.040.PT	O-ring	12 x 2	Silicone FEP coated							

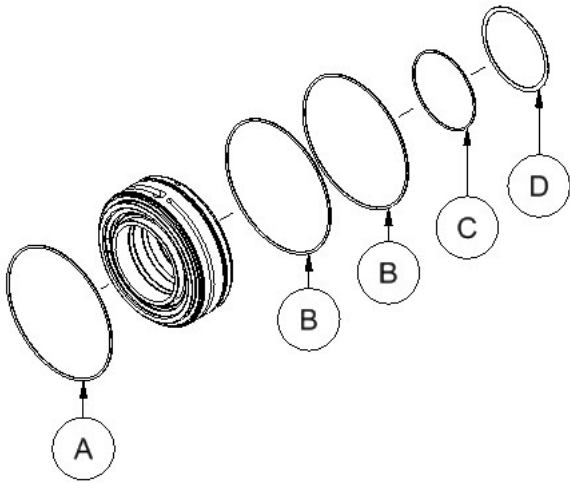
Cartridge mechanical seal

Pos. 79

Pos.	Part number	Description	Dimensions	Notes	Qty.	70	105	140	210	280	420
Steel, nitrided											
79	PBT.B002	Cartridge mechanical seal HD; Single mechanical seal		SiC; HNBR, HNBR		4					
	PBT0449			SiC; HNBR, FPM							
	PBT1824			SiC; FPM, FPM							
	PBT.B004			Duronit ⁽⁴⁾ ; HNBR, HNBR							
	PBT1826			Duronit ⁽⁴⁾ ; FPM, FPM							
	PBT1828			SiC; EPDM, FPM							
	PBT.B010	Cartridge mechanical seal Block ring; Single mechanical seal		WC/SiC; HNBR, HNBR							
	PBT0809			WC/SiC, HNBR, HNBR							
	PBT0488			WC/SiC; HNBR, FPM							
	PBT0192			WC/SiC; FPM, FPM							
	PBT1744			WC/SiC; FEPM, FPM							
	PBT.B012			WC/coal; HNBR, NBR							
	PBT1731			WC/coal; FPM, FPM							
	PBT1733			WC/coal; EPDM, FPM							
	PBT.B019			CrO/Duronit ⁽⁴⁾ ; HNBR, HNBR							
	PBT0629			CrO/Duronit ⁽⁴⁾ ; HNBR, FPM							
	PBT1735			WC/SiC, EPDM, FPM							
	PBT1746			WC/SiC, FFPM, FPM							
	PBT1251			CrO/Duronit ⁽⁴⁾ ; HNBR, HNBR							
	PBT0342			CrO/Duronit ⁽⁴⁾ ; FPM, FPM							
PBT1749		CrO/Duronit ⁽⁴⁾ ; EPDM, FPM									
PBT1745		CrO/Duronit ⁽⁴⁾ ; FEPM, FPM									

⁽⁴⁾ up to 10 bar [145 psi] real operating pressure

"Loose parts" for Cartridge mechanical seal



Quantity per cartridge

Pos.	Part number	Description	Dimensions	Notes	Qty.
A	DOR.085	O-ring	104 x 3	NBR	1
	DOR.085.VI	O-ring	104 x 3	FPM	
B	DOR.085	O-ring	104 x 3	NBR	2
	DOR.085.EP	O-ring	104 x 3	EPDM	
	DOR.085.VI	O-ring	104 x 3	FPM	
	DOR.085.PT	O-ring	104 x 3	Silicone FEP coated	
C	DOR.041	O-ring	60 x 2	NBR	1
	DOR.041.VI	O-ring	60 x 2	FPM	
D	NUS.029	Shim			1

These positions are contained in the Cartridge mechanical seal as "loose parts".

Bearing seal housing + accessories

Position 80-95


Pos.	Part number	Description	Dimensions	Notes	Qty.	70	105	140	210	280	420
80	PGP.B112.N1.T1	Intermediate flange				2	2	2	2	2	2
81	NSP.031	Spring pin	11 x 18	DIN 7346		2	2	2	2	2	2
82	PGP.B110.T7	Bearing seal housing				1	1	1	1	1	1
	PGP.B110.T8	Bearing seal housing		Option: intermediate flange							
83	PRS.B116	O-ring carrier				2	2	2	2	2	2
84	NSR.043	Circlip	60 x 3.8 x 0.82			2	2	2	2	2	2
85	NLG.040	Cylindrical roller bearing	60 x 100 x 28			2	2	2	2	-	-
	NLG.040.T1	Cylindrical roller bearing	60 x 100 x 28			-	-	-	-	2	2
86	DOR.053	O-ring	110 x 3	NBR		2	2	2	2	2	2
87	PRS.B115	Sleeve				2	2	2	2	2	2
88	PRS.B114.N1	Clamping bush		For bearing		2	2	2	2	2	2
89	NTF.004	Disk spring	50 x 25.4 x 3	DIN 2096-A50		6	6	6	6	6	6
90	NSR.042	Circlip	50 x 3.1 x 0.82			2	2	2	2	2	2
91	PFL.B016	Lug				-	-	-	1	-	-
93	NSK.204	Hexagon head bolt	M 10 x 80	DIN 933		-	-	-	2	-	-
	NGS.088	Threaded rod	M 10 x 100	DIN 976		2	-	-	-	-	-
94	NSK.004	Hexagon head bolt	M 10 x 45	DIN 933		-	-	-	-	12	12
95	NSK0106	Screw plug	M 30 x 1,5	DIN 910-1		2	2	2	2	2	2
96	DKR0003	Sealing ring	A 30 x 36 x 2; Cu	DIN7603		2	2	2	2	2	2

Temperature sensor

Position 96-97

Pos.	Part number	Description	Dimensions	Notes	Qty.	70	105	140	210	280	420
96	SSS.073.N1.T1	Temperature sensor				1	1	1	1	1	1
97	NMS.002	Hexagon nut	M8	DIN 934-8		2	2	2	2	2	2

Tools

Pos.	Part number	Description	Dimensions	Notes	Qty.	70	105	140	210	280	420
	PBA.B001.T1	Lobe puller	70-280 QD			x	x	x	x	x	
	PBA.B001.T2	Lobe puller	420 QD								x
Cartridge mechanical seal											
	WKZ0172	Tool set		Cartridge mechanical seal							x
	WKZ0456	Disassembly tool Cartridge mechanical seal		Included in WKZ0172							(1)
	PBA.B020.N1	Tool		Included in WKZ0456							(1)
	NSI.155	Cylinder head bolt	M 5 x 12								(2)
	NSK.155	Hexagon head bolt	M 8 x 80								(3)
	PBA.B033.T1	Multi-purpose tool	→ 70QD-105QD	Cartridge mechanical seal + rotary lobe		x	x				
	PBA.B033.T2	Multi-purpose tool	→ 140QD-420QD	Cartridge mechanical seal + rotary lobe				x	x	x	x

Material for connectors

Pos.	Part number	Description	Dimensions	Notes	Qty.	70	105	140	210	280	420
	NSK.027	Hexagon head bolt	M 10 x 25	DIN 933		20	24	24	28	32	48
	NUS.004	Washer	A10.5 x 20 x 2	DIN 125		20	24	24	28	32	48
	PFL.010	Flange	70			2	-	-	-	-	-
	PFL.057	Flange	105			-	2	-	-	-	-
	PFL.005	Flange	140			-	-	2	-	-	-
	PFL.006	Flange	210			-	-	-	2	-	-
	PFL.026	Flange	280			-	-	-	-	2	-
	PFL.029	Flange	420			-	-	-	-	-	2
	DFD.011.P	Flange gasket	70			2	-	-	-	-	-
	DFD.033.P	Flange gasket	105			-	2	-	-	-	-
	DFD.005.P	Flange gasket	140			-	-	2	-	-	-
	DFD.006.P	Flange gasket	210			-	-	-	2	-	-
	DFD.117.P	Flange gasket	280			-	-	-	-	2	-
	DFD.119.P	Flange gasket	420			-	-	-	-	-	2

Required spare parts for rotary lobe change

Pos.	Part number	Description	Dimensions	Notes	Qty.	70	105	140	210	280	420
34	NPF.010	Fitting key	B 14 x 9 x 28			2	-	-	-	-	-
	NPF.011	Fitting key	B 14 x 9 x 56			-	2	-	2	2	2
	NPF.023	Fitting key	B 14 x 9 x 90			-	-	-	-	4	-
	NPF.013	Fitting key	B 14 x 9 x 100			-	-	2	-	-	2
	NPF.012	Fitting key	B 14 x 9 x 110			-	-	-	2	-	4
46	DOR.043	O-ring	64 x 4	NBR		2	2	2	2	2	2
	DOR.043.VI	O-ring	64 x 4	FPM							
48	PRS.102	Strain bolt	M16			2	2	2	2	2	2
50	DOR.051	O-ring	280 x 6	NBR		1	1	1	1	1	1
	DOR.051.EP	O-ring	280 x 6	EPDM							
	DOR.051.VI	O-ring	280 x 6	FPM							
	DOR.051.PT	O-ring	280 x 6	Silicone FEP coated							
51-54		Rotary lobe		See page 10 and follow							
86	DOR.053	O-ring	110 x 3	NBR		2	2	2	2	2	2

⁽⁵⁾ for solid material lobe

Necessary spare parts for Cartridge mechanical seal change

Pos.	Part number	Description	Dimensions	Notes	Qty.	70	105	140	210	280	420
28	DOR.041	O-ring	60 x 2	NBR		2	2	2	2	2	2
	DOR.041.VI	O-ring	60 x 2	FPM							
46	DOR.043	O-ring	64 x 4	NBR		2	2	2	2	2	2
	DOR.043.VI	O-ring	64 x 4	FPM							
48	PRS.102	Strain bolt	M16			2	2	2	2	2	2
50	DOR.051	O-ring	280 x 6	NBR		1	1	1	1	1	1
	DOR.051.EP	O-ring	280 x 6	EPDM							
	DOR.051.VI	O-ring	280 x 6	FPM							
	DOR.051.PT	O-ring	280 x 6	Silicone FEP coated							
Steel, nitrided											
79	PBT.B002	Cartridge mechanical seal HD; Single mechanical seal		SiC; HNBR, HNBR		4					
	PBT0449			SiC; HNBR, FPM							
	PBT1824			SiC; FPM, FPM							
	PBT.B004			Duronit ⁽⁴⁾ ; HNBR, HNBR							
	PBT1826			Duronit ⁽⁴⁾ ; FPM, FPM							
	PBT1828			SiC; EPDM, FPM							
	PBT.B010	Cartridge mechanical seal Block ring; Single mechanical seal		WC/SiC; HNBR, HNBR							
	PBT0809			WC/SiC, HNBR, HNBR							
	PBT0488			WC/SiC; HNBR, FPM							
	PBT0192			WC/SiC; FPM, FPM							
	PBT1744			WC/SiC; FEPM, FPM							
	PBT.B012			WC/coal; HNBR, NBR							
	PBT1731			WC/coal; FPM, FPM							
	PBT1733			WC/coal; EPDM, FPM							
	PBT.B019			CrO/Duronit ⁽⁴⁾ ; HNBR, HNBR							
	PBT0629			CrO/Duronit ⁽⁴⁾ ; HNBR, FPM							
	PBT1735			WC/SiC, EPDM, FPM							
	PBT1746			WC/SiC, FFPM, FPM							
	PBT1251			CrO/Duronit ⁽⁴⁾ ; HNBR, HNBR							
	PBT0342			CrO/Duronit ⁽⁴⁾ ; FPM, FPM							
PBT1749		CrO/Duronit ⁽⁴⁾ ; EPDM, FPM									
PBT1745		CrO/Duronit ⁽⁴⁾ ; FEPM, FPM									
86	DOR.053	O-ring	110 x 3	NBR		2	2	2	2	2	2

⁽⁴⁾ up to 10 bar [145 psi] real operating pressure

Necessary spare parts for wear part replacement with Cartridge mechanical seal

Pos.	Part number	Description	Dimensions	Notes	Qty.	70	105	140	210	280	420
28	DOR.041	O-ring	60 x 2	NBR		2	2	2	2	2	2
	DOR.041.VI	O-ring	60 x 2	FPM							
34	NPF.010	Fitting key	B 14 x 9 x 28			2	-	-	-	-	-
	NPF.011	Fitting key	B 14 x 9 x 56			-	2	-	2	2	2
	NPF.023	Fitting key	B 14 x 9 x 90			-	-	-	-	4	-
	NPF.013	Fitting key	B 14 x 9 x 100			-	-	2	-	-	2
	NPF.012	Fitting key	B 14 x 9 x 110			-	-	-	2	-	4
37	PFL.B009	Wear plate				2	2	2	2	2	2
	PFL.B009.G1	Wear plate		Coated with tungsten carbide							
38	NSK.025.EE	Hexagon head bolt	M 10 x 16	DIN 933		4	4	4	4	4	4
40	DAD.007	Gasket		Asbestos-free		4	4	4	4	6	6
46	DOR.043	O-ring	64 x 4	NBR		2	2	2	2	2	2
	DOR.043.VI	O-ring	64 x 4	FPM							
48	PRS.102	Strain bolt	M16			2	2	2	2	2	2
50	DOR.051	O-ring	280 x 6	NBR		1	1	1	1	1	1
	DOR.051.EP	O-ring	280 x 6	EPDM							
	DOR.051.VI	O-ring	280 x 6	FPM							
	DOR.051.PT	O-ring	280 x 6	Silicone FEP coated							
51-54		Rotary lobe		See page 10 and follow							

Steel, nitrided

79	PBT.B002	Cartridge mechanical seal HD; Single mechanical seal		SiC; HNBR, HNBR		4					
	PBT0449			SiC; HNBR, FPM							
	PBT1824			SiC; FPM, FPM							
	PBT.B004			Duronit ⁽⁴⁾ ; HNBR, HNBR							
	PBT1826			Duronit ⁽⁴⁾ ; FPM, FPM							
	PBT1828			SiC; EPDM, FPM							
	PBT.B010	Cartridge mechanical seal Block ring; Single mechanical seal		WC/SiC; HNBR, HNBR							
	PBT0809			WC/SiC; HNBR, HNBR							
	PBT0488			WC/SiC; HNBR, FPM							
	PBT0192			WC/SiC; FPM, FPM							
	PBT1744			WC/SiC; FEPM, FPM							
	PBT.B012			WC/coal; HNBR, NBR							
	PBT1731			WC/coal; FPM, FPM							
	PBT1733			WC/coal; EPDM, FPM							
	PBT.B019			CrO/Duronit ⁽⁴⁾ ; HNBR, HNBR							
	PBT0629			CrO/Duronit ⁽⁴⁾ ; HNBR, FPM							
	PBT1735			WC/SiC, EPDM, FPM							
	PBT1746			WC/SiC, FFPM, FPM							
	PBT1251			CrO/Duronit ⁽⁴⁾ ; HNBR, HNBR							
	PBT0342			CrO/Duronit ⁽⁴⁾ ; FPM, FPM							
PBT1749		CrO/Duronit ⁽⁴⁾ ; EPDM, FPM									
PBT1745		CrO/Duronit ⁽⁴⁾ ; FEPM, FPM									
86	DOR.053	O-ring	110 x 3	NBR		2	2	2	2	2	2

⁽⁴⁾ up to 10 bar [145 psi] real operating pressure

⁽⁵⁾ for solid material lobe

VOGELSANG



Vogelsang GmbH & Co. KG

Holthöge 10-14
49632 Essen/Oldb.

Phone: +49 (0) 54 34 83 0
Fax: +49 (0) 54 34 83 10

www.vogelsang.info
info@vogelsang.info

ENGINEERED TO WORK

Australien
Vogelsang Pty. Ltd.
vogelsang.com.au

Brasilien
Vogelsang Brasil Ltda.
vogelsang.com.br

China
Vogelsang Mechanical Engineering (Shanghai) Co., Ltd.
vogelsang.com.cn

Dänemark
Vogelsang A/S
vogelsang-as.dk

Deutschland - Niederlassung Ost
Vogelsang Lutherstadt Eisleben
vogelsang.info

Finnland
Vogelsang Oy
vogelsang.fi

Frankreich
Vogelsang France S.A.R.L.
vogelsang.fr

Großbritannien
Vogelsang Ltd.
vogelsang.co.uk

Indien
Vogelsang India Private Limited
vogelsangindia.com

Irland
Vogelsang Ireland
vogelsang.ie

Italien
Vogelsang Italy Srl
vogelsang-srl.it

Malaysia
Vogelsang Malaysia
vogelsang.info

Mexico
Vogelsang De México S.de R.L. de CV
vogelsang.mx

Niederlande
Bos Benelux BV
b.bos@bosbenelux.com

Österreich
Vogelsang Austria GmbH
vogelsang-austria.at

Polen
Vogelsang Poland Sp. z o.o.
vogelsang.pl

Rumänien
Vogelsang Romania SRL
vogelsang.ro

Russland
OOO Vogelsang Russland
vogelsang.ru

Slowenien
VGS TECH GREGOR TURSIC S.P.
vogelsang.info

Schweden
Vogelsang Sverige AB
vogelsang.se

Spanien
Vogelsang S.L.
vogelsang.es

Südkorea
Vogelsang Korea Co., Ltd.
vogelsang.co.kr

Tschechische Republik
Vogelsang CZ s.r.o.
vogelsang-czech.cz

USA
Vogelsang USA Ltd.
vogelsangusa.com