

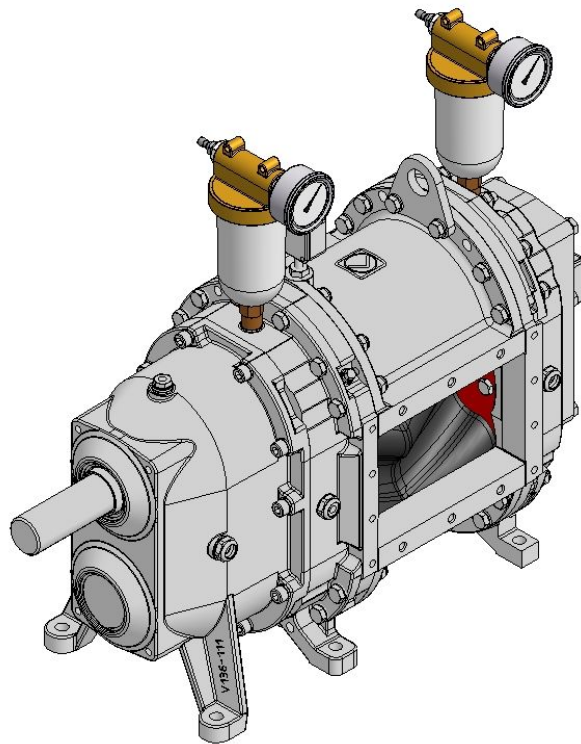


# Spare Parts List

## Explosion-Proof Rotary Lobe Pump

VX136QDVVA

ENGINEERED TO WORK



### **Issuer**

Hugo Vogelsang Maschinenbau GmbH  
Holthöge 10-14  
49632 Essen/Oldb.

Phone: +49 54 34 83 0

Fax: +49 54 34 83 10

[vogelsang-gmbh.com](http://vogelsang-gmbh.com)

[info@vogelsang-gmbh.com](mailto:info@vogelsang-gmbh.com)

In the absence of express, written authorisation from the issuer, the reproduction or partial reproduction of this document in any form is prohibited.

We reserve the right to make technical modifications to the diagrams and information presented in this document in the event that such modifications become necessary for the enhancement of the machine.

© 2014 Hugo Vogelsang Maschinenbau GmbH

### **Registered trademarks of Vogelsang**

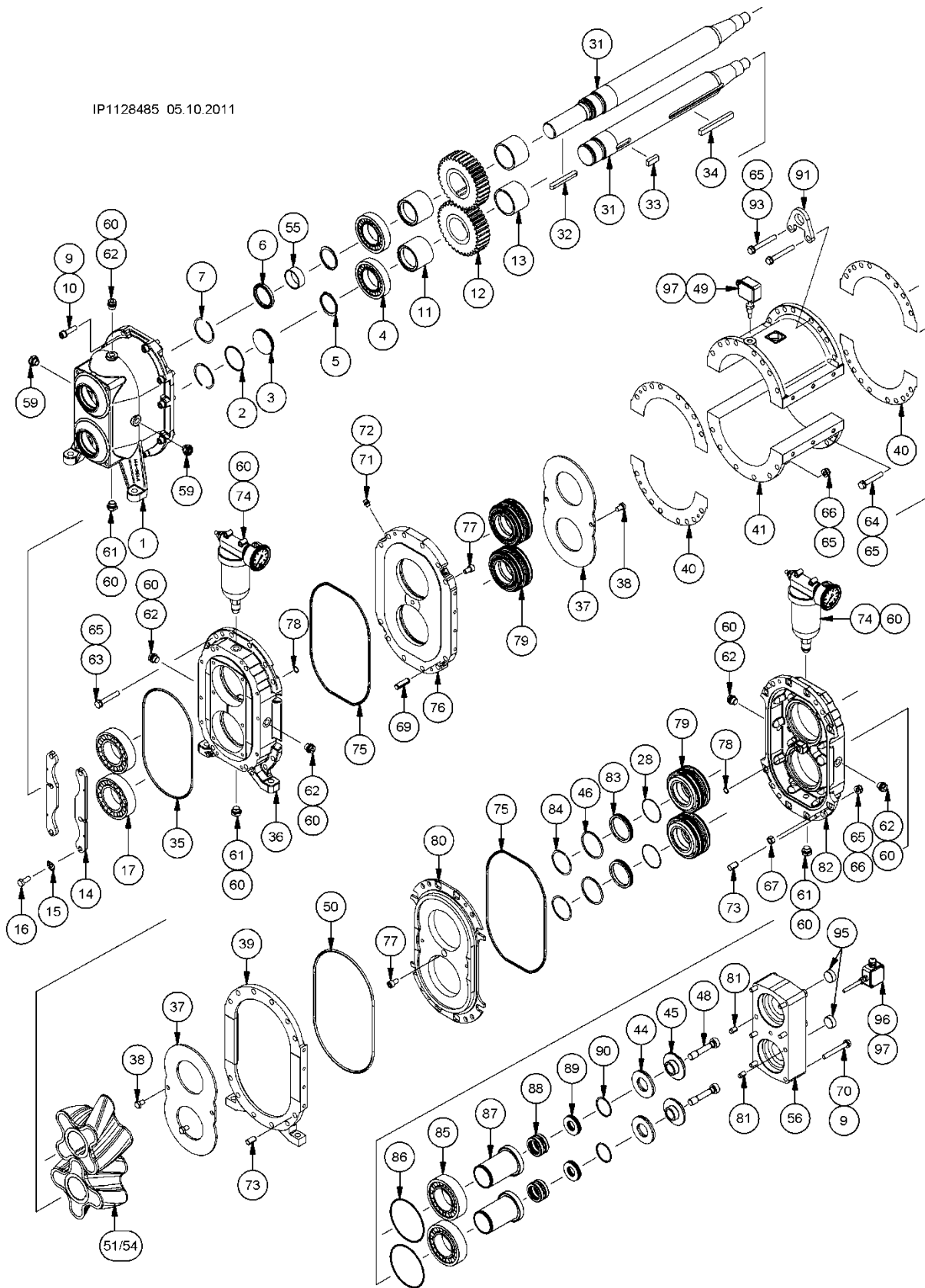
Vogelsang, Vogelsang Logo, RotaCut, HiFlo, ACC, CFC, BioCrack, XTill, EnergyJet and BioCut are registered trademarks of Hugo Vogelsang Maschinenbau GmbH.

The registered trademarks are not always designated with an ® symbol in this document.

**Contents**

<b>Exploded view</b> .....	<b>4</b>
<b>Gearbox housing and accessories</b> .....	<b>5</b>
Position 1-17+28 .....	5
<b>PTO shaft</b> .....	<b>5</b>
Position 30/ 31 .....	5
<b>Motor shaft</b> .....	<b>6</b>
Position 30-32 .....	6
<b>Fitting key</b> .....	<b>6</b>
Position 33-34 .....	6
<b>Bearing seal housing + accessories</b> .....	<b>6</b>
Position 35-36 .....	6
<b>Wear plate</b> .....	<b>6</b>
Position 37-38 .....	6
<b>Cover flange</b> .....	<b>7</b>
Position 39 .....	7
<b>Gasket for pump housing segment</b> .....	<b>7</b>
Position 40 .....	7
<b>Pump housing segment</b> .....	<b>7</b>
Position 41 .....	7
<b>Preload</b> .....	<b>7</b>
Position 44-48 .....	7
<b>Temperature sensor</b> .....	<b>7</b>
Position 49 .....	7
<b>O-ring</b> .....	<b>8</b>
Position 50 .....	8
<b>Rotary lobes</b> .....	<b>8</b>
<b>HiFlo</b> .....	<b>9</b>
Position 51 .....	9
<b>HiFlo plus</b> .....	<b>11</b>
Position 54 .....	11
<b>Rotary lobes; bi-lobe</b> .....	<b>12</b>
Position 51 .....	12
<b>Solid material rotary lobes</b> .....	<b>13</b>
<b>HiFlo</b> .....	<b>13</b>
Position 51 .....	13
<b>O-ring for solid material rotary lobes</b> .....	<b>13</b>
Position 52-53 .....	13
<b>HiFlo plus</b> .....	<b>13</b>
Position 54 .....	13
<b>Cover and accessories</b> .....	<b>14</b>
Position 55-56 .....	14
<b>Screws and accessories</b> .....	<b>14</b>
Position 59-73 .....	14
<b>Buffer chamber enlargement</b> .....	<b>14</b>
Position 74 .....	14
<b>Intermediate flange</b> .....	<b>14</b>
Position 75-78 .....	14
<b>Cartridge mechanical seal</b> .....	<b>15</b>
Pos. 79.....	15
<b>"Loose parts" for Cartridge mechanical seal</b> .....	<b>15</b>
<b>Bearing seal housing + accessories</b> .....	<b>16</b>
Position 80-95 .....	16
<b>Tools</b> .....	<b>17</b>
<b>Material for connectors</b> .....	<b>17</b>
<b>Required spare parts for rotary lobe change</b> .....	<b>18</b>
<b>Necessary spare parts for Cartridge mechanical seal change</b> .....	<b>19</b>
<b>Necessary spare parts for wear part replacement with Cartridge mechanical seal</b> .....	<b>20</b>

Exploded view



**Gearbox housing and accessories**

**Position 1-17+28**

Pos.	Part number	Description	Dimensions	Notes	Qty.	70	105	140	210	280	420
1	PGP.B111.T1	Gear box housing				1	1	1	1	1	1
2	DOR.086	O-ring	59 x 3	NBR; for motor shaft		1	1	1	1	1	1
	DOR.086.VI	O-ring	59 x 3	FPM; for motor shaft		1	1	1	1	1	1
3	PRS.B108	Plug disk for gear box housing		For motor shaft		1	1	1	1	1	1
4	NLG.029	Cylindrical roller bearing	ø55 x ø100			2	2	2	2	2	2
5	NSR.010	Retaining ring	AS 55 x 3	DIN 471		2	2	2	2	2	2

**For motor shaft**

6	DWD.060.HNB	Radial shaft seal ring	50 x 65 x 7	HNBR		1	1	1	1	1	1
	DWD.058.VI	Radial shaft seal ring	50 x 65 x 7	FPM							

**For PTO shaft**

6	DWD.060.HNB	Radial shaft seal ring	50 x 65 x 7	HNBR		2	2	2	2	2	2
	DWD.058.VI	Radial shaft seal ring	50 x 65 x 7	FPM							
7	NSR.034	Circlip	65 x 3.8 x 0.82			2	2	2	2	2	2
8	NSP.023	Spring pin	13 x 22	ISO 8752		4	4	4	4	4	4
	NSP.025	Spring pin	8 x 24	ISO 8752		4	4	4	4	4	4
9	NFR.003	Lock washer	ø10	DIN 127		16	16	16	16	16	16
10	NSI.001	Cylinder head bolt	M10 x 40	DIN 912		10	10	10	10	10	10
11	PRS.B006	Spacer sleeve		Floating bearing		2	2	2	2	2	2
12	PZH.003	Gear				2	2	2	2	2	2
13	PRS.B005	Spacer sleeve		Fixed bearing		2	2	2	2	2	2
14	PFL.B010	Fixing plate for bearing				2	2	2	2	2	2
15	NUS.066	Locking plate	10.5 mm	DIN 432		6	6	6	6	6	6
16	NSK.027	Hexagon head bolt	M10 x 25	DIN 933		6	6	6	6	6	6
17	NLG.026	Spherical roller bearing	22212 E1			2	2	2	2	2	2
	NLG.026.T1	Spherical roller bearing	22212 E	(Option)							
28	DOR.041	O-ring	60 x 2	NBR		2	2	2	2	2	2
	DOR.041.VI	O-ring	60 x 2	FPM							

**PTO shaft**

**Position 30/ 31**

Pos.	Part number	Description	Dimensions	Notes	Qty.	70	105	140	210	280	420
30/31	PWL.B013	PTO shaft	VX136-70-S-QD			2	-	-	-	-	-
	PWL.B014	PTO shaft	VX136-105-S-QD			-	2	-	-	-	-
	PWL.B015	PTO shaft	VX136-140-S-QD			-	-	2	-	-	-
	PWL.B016	PTO shaft	VX136-210-S-QD			-	-	-	2	-	-
	PWL.B017	PTO shaft	VX136-280-S-QD			-	-	-	-	2	-
	PWL.B018	PTO shaft	VX136-420-S-QD			-	-	-	-	-	2

**Motor shaft**  
Position 30-32

Pos.	Part number	Description	Dimensions	Notes	Qty.	70	105	140	210	280	420
30	PWL.B007	Motor shaft	VX136-70-MK-QD	Short		1	-	-	-	-	-
	PWL.B008	Motor shaft	VX136-105-MK-QD	Short		-	1	-	-	-	-
	PWL.B009	Motor shaft	VX136-140-MK-QD	Short		-	-	1	-	-	-
	PWL.B010	Motor shaft	VX136-210-MK-QD	Short		-	-	-	1	-	-
	PWL.B011	Motor shaft	VX136-280-MK-QD	Short		-	-	-	-	1	-
	PWL.B012	Motor shaft	VX136-420-MK-QD	Short		-	-	-	-	-	1
31	PWL.B001	Motor shaft	VX136-70-MK-QD	Long		1	-	-	-	-	-
	PWL.B002	Motor shaft	VX136-105-ML-QD	Long		-	1	-	-	-	-
	PWL.B003	Motor shaft	VX136-140-ML-QD	Long		-	-	1	-	-	-
	PWL.B004	Motor shaft	VX136-210-ML-QD	Long		-	-	-	1	-	-
	PWL.B005	Motor shaft	VX136-280-ML-QD	Long		-	-	-	-	1	-
	PWL.B006	Motor shaft	VX136-420-ML-QD	Long		-	-	-	-	-	1
	PWL.B001.H	Hollow shaft <sup>(7)</sup>	VX136-70-MH-QD			1	-	-	-	-	-
	PWL.B002.H	Hollow shaft <sup>(7)</sup>	VX136-105-MH-QD			-	1	-	-	-	-
	PWL.B003.H	Hollow shaft <sup>(7)</sup>	VX136-140-MH-QD			-	-	1	-	-	-
	PWL.B004.H	Hollow shaft <sup>(7)</sup>	VX136-210-MH-QD			-	-	-	1	-	-
	PWL.B005.H	Hollow shaft <sup>(7)</sup>	VX136-280-MH-QD			-	-	-	-	1	-
PWL.B006.H	Hollow shaft <sup>(7)</sup>	VX136-420-MH-QD			-	-	-	-	-	1	
32	NPF.046	Fitting key	A 12 x 8 x 90	For motor shaft long		1	1	1	1	1	1

<sup>(7)</sup> for hydraulic motor

**Fitting key**  
Position 33-34

Pos.	Part number	Description	Dimensions	Notes	Qty.	70	105	140	210	280	420
33	NPF.022	Fitting key	B 14 x 9 x 35	DIN 6885		2	2	2	2	2	2
34	NPF.010	Fitting key	B 14 x 9 x 28			2	-	-	-	-	-
	NPF.011	Fitting key	B 14 x 9 x 56			-	2	-	2	2	2
	NPF.023	Fitting key	B 14 x 9 x 90			-	-	-	-	4	-
	NPF.013	Fitting key	B 14 x 9 x 100			-	-	2	-	-	2
	NPF.012	Fitting key	B 14 x 9 x 110			-	-	-	2	-	4

**Bearing seal housing + accessories**  
Position 35-36

Pos.	Part number	Description	Dimensions	Notes	Qty.	70	105	140	210	280	420
35	DOR.035	O-ring	245 x 5	NBR		1	1	1	1	1	1
	DOR.035.VI	O-ring	245 x 5	FPM							
36	PGP.B110.T2	Bearing seal housing		Stainless steel		1	1	1	1	1	1

**Wear plate**  
Position 37-38

Pos.	Part number	Description	Dimensions	Notes	Qty.	70	105	140	210	280	420
37	PFL.B009.E	Wear plate		1.4571		2	2	2	2	2	2
	PFL.B009.E.G2	Wear plate		Plasma-hardened							
	PFL.B009.E.G1	Wear plate		Tungsten carbide coated + shim							
37	DAD.B004	Shim	0.3 mm	PA6 Polyamide		2	2	2	2	2	2
	DAD.B005	Shim	0.5 mm	PA6 Polyamide		2	2	2	2	2	2
38	NSK.025.EE	Hexagon head bolt	M 10 x 16	DIN 933		4	4	4	4	4	4

**Cover flange**

**Position 39**

Pos.	Part number	Description	Dimensions	Notes	Qty.	70	105	140	210	280	420
39	PGP.B004.T1.E	Cover flange		Stainless steel		1	1	1	1	1	1

**Gasket for pump housing segment**

**Position 40**

Pos.	Part number	Description	Dimensions	Notes	Qty.	70	105	140	210	280	420
40	DAD.007	Gasket		Asbestos-free		4	4	4	4	6	6

**Pump housing segment**

**Position 41**

Pos.	Part number	Description	Dimensions	Notes	Qty.	70	105	140	210	280	420
41	PGP.015.E	Pump housing segment	70	1.4581		2	-	-	-	-	-
	PGP.100.E	Pump housing segment	105	1.4581		-	2	-	-	-	-
	PGP.013.E	Pump housing segment	140	1.4581		-	-	2	-	4	-
	PGP.014.E	Pump housing segment	210	1.4581		-	-	-	2	-	4
	PGP.015.E.G1	Pump housing segment	70	Tungsten carbide coated		2	-	-	-	-	-
	PGP.100.E.G1	Pump housing segment	105	Tungsten carbide coated		-	2	-	-	-	-
	PGP.013.E.G1	Pump housing segment	140	Tungsten carbide coated		-	-	2	-	4	-
	PGP.014.E.G1	Pump housing segment	210	Tungsten carbide coated		-	-	-	2	-	4
	PGP.013.E.G2	Pump housing segment	140	Plasma hardened		-	-	2	-	4	-

**Injection S**

41	PGP.B122.E	Pump housing segment	70			2	-	-	-	-	-
	PGP.B123.E	Pump housing segment	105			-	2	-	-	-	-
	PGP.B120.E	Pump housing segment	140			-	-	2	-	4	-
	PGP.B121.E	Pump housing segment	210			-	-	-	2	-	4
	PGP.B122.E.G1	Pump housing segment	70	Coated with tungsten carbide		2	-	-	-	-	-
	PGP.B123.E.G1	Pump housing segment	105	Coated with tungsten carbide		-	2	-	-	-	-
	PGP.B120.E.G1	Pump housing segment	140	Coated with tungsten carbide		-	-	2	-	4	-
	PGP.B121.E.G1	Pump housing segment	210	Coated with tungsten carbide		-	-	-	2	-	4

**Injection A**

41	PGP0153	Pump housing segment	70	1.4581		2	-	-	-	-	-
	PGP0144	Pump housing segment	105	1.4581		-	2	-	-	-	-
	PGP0128	Pump housing segment	140	1.4581		-	-	2	-	4	-
	PGP0209	Pump housing segment	140	Coated with tungsten carbide		-	-	2	-	4	-

**Preload**

**Position 44-48**

Pos.	Part number	Description	Dimensions	Notes	Qty.	70	105	140	210	280	420
44	NTF.002	Disk spring	71 x 36 x 4	DIN 2093		4	4	4	4	4	4
45	PRS.B117	Pressure disk				2	2	2	2	2	2
46	DOR.043	O-ring	64 x 4	NBR		2	2	2	2	2	2
	DOR.043.VI	O-ring	64 x 4	FPM							
48	PRS.102	Strain bolt	M16			2	2	2	2	2	2

**Temperature sensor**

**Position 49**

Pos.	Part number	Description	Dimensions	Notes	Qty.	70	105	140	210	280	420
49	SSS.073.N1	Temperature sensor	PT100			1	1	1	1	1	1
	PRS.128	Reducing screw		M12 outside/ M8 inside		1	1	1	1	1	1

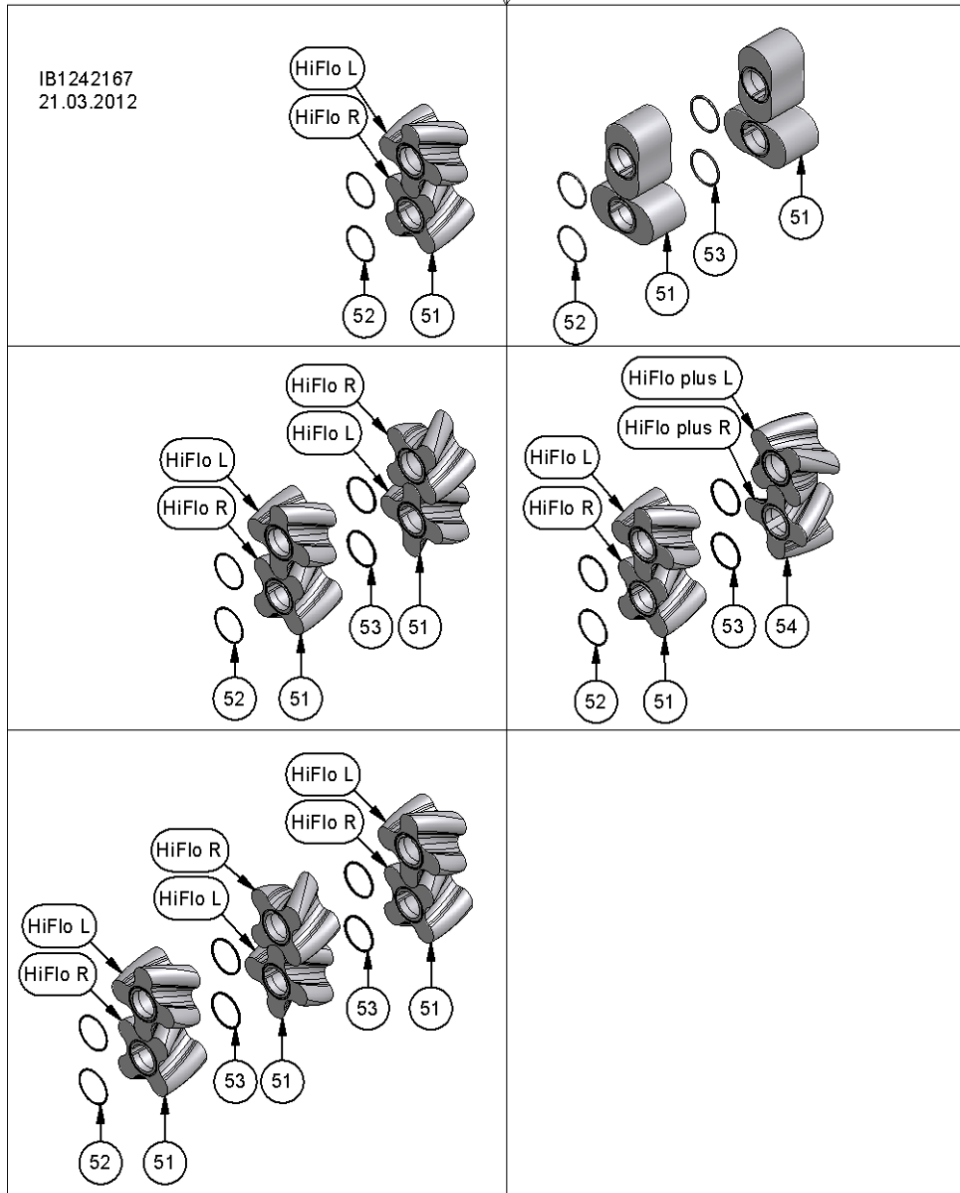
**Loose parts for ATEX:**

	NKS.006	Lifting eye bolt	M12	As "loose parts".		1	1	1	1	2	2
--	---------	------------------	-----	-------------------	--	---	---	---	---	---	---

**O-ring**  
**Position 50**

Pos.	Part number	Description	Dimensions	Notes	Qty.	70	105	140	210	280	420
50	DOR.051	O-ring	280 x 6	NBR							
	DOR.051.EP	O-ring	280 x 6	EPDM							
	DOR.051.VI	O-ring	280 x 6	FPM		1	1	1	1	1	1
	DOR.051.PT	O-ring	280 x 6	Silicone FEP coated							

**Rotary lobes**





**HiFlo**  
Position 51

**HiFlo SBR**

Pos.	Part number	Description	Dimensions	Notes	Qty.	70	105	140	210	280	420
51	PKB.B101.TL	Rotary lobe	70-4K45-L HiFlo	SBR		1	-	-	-	-	-
	PKB.B101.TR	Rotary lobe	70-4K45-R HiFlo	SBR		1	-	-	-	-	-
	PKB.B102.TL	Rotary lobe	105-4K45-L HiFlo	SBR		-	1	-	2 (1)	-	-
	PKB.B102.TR	Rotary lobe	105-4K45-R HiFlo	SBR		-	1	-	2 (1)	-	-
	PKB.B103.TL	Rotary lobe	140-4K45-L HiFlo	SBR		-	-	1	-	2 (1)	3
	PKB.B103.TR	Rotary lobe	140-4K45-R HiFlo	SBR		-	-	1	-	2 (1)	3

**HiFlo NBR**

Pos.	Part number	Description	Dimensions	Notes	Qty.	70	105	140	210	280	420
51	PKB.B101.TL.NB	Rotary lobe	70-4K45-L HiFlo	NBR		1	-	-	-	-	-
	PKB.B101.TR.NB	Rotary lobe	70-4K45-R HiFlo	NBR		1	-	-	-	-	-
	PKB.B102.TL.NB	Rotary lobe	105-4K45-L HiFlo	NBR		-	1	-	2 (1)	-	-
	PKB.B102.TR.NB	Rotary lobe	105-4K45-R HiFlo	NBR		-	1	-	2 (1)	-	-
	PKB.B103.TL.NB	Rotary lobe	140-4K45-L HiFlo	NBR		-	-	1	-	2 (1)	3
	PKB.B103.TR.NB	Rotary lobe	140-4K45-R HiFlo	NBR		-	-	1	-	2 (1)	3
	PKB.B101.TL.NBW	Rotary lobe	70-4K45-L HiFlo	NBR white		1	-	-	-	-	-
	PKB.B101.TR.NBW	Rotary lobe	70-4K45-R HiFlo	NBR white		1	-	-	-	-	-
	PKB.B102.TL.NBW	Rotary lobe	105-4K45-L HiFlo	NBR white		-	1	-	2 (1)	-	-
	PKB.B102.TR.NBW	Rotary lobe	105-4K45-R HiFlo	NBR white		-	1	-	2 (1)	-	-
	PKB.B103.TL.NBW	Rotary lobe	140-4K45-L HiFlo	NBR white		-	-	1	-	2 (1)	3
	PKB.B103.TR.NBW	Rotary lobe	140-4K45-R HiFlo	NBR white		-	-	1	-	2 (1)	3

**HiFlo EPDM**

Pos.	Part number	Description	Dimensions	Notes	Qty.	70	105	140	210	280	420
51	PKB.B101.TL.SL	Rotary lobe	70-4K45-L HiFlo	EPDM-SL		1	-	-	-	-	-
	PKB.B101.TR.SL	Rotary lobe	70-4K45-R HiFlo	EPDM-SL		1	-	-	-	-	-
	PKB.B102.TL.SL	Rotary lobe	105-4K45-L HiFlo	EPDM-SL		-	1	-	2 (1)	-	-
	PKB.B102.TR.SL	Rotary lobe	105-4K45-R HiFlo	EPDM-SL		-	1	-	2 (1)	-	-
	PKB.B103.TL.SL	Rotary lobe	140-4K45-L HiFlo	EPDM-SL		-	-	1	-	2 (1)	3
	PKB.B103.TR.SL	Rotary lobe	140-4K45-R HiFlo	EPDM-SL		-	-	1	-	2 (1)	3
	PKB.B101.TL.EPW	Rotary lobe	70-4K45-L HiFlo	EPDM white		1	-	-	-	-	-
	PKB.B101.TR.EPW	Rotary lobe	70-4K45-R HiFlo	EPDM white		1	-	-	-	-	-
	PKB.B102.TL.EPW	Rotary lobe	105-4K45-L HiFlo	EPDM white		-	1	-	2 (1)	-	-
	PKB.B102.TR.EPW	Rotary lobe	105-4K45-R HiFlo	EPDM white		-	1	-	2 (1)	-	-
	PKB.B103.TL.EPW	Rotary lobe	140-4K45-L HiFlo	EPDM white		-	-	1	-	2 (1)	3
	PKB.B103.TR.EPW	Rotary lobe	140-4K45-R HiFlo	EPDM white		-	-	1	-	2 (1)	3

( ) quantity for HiFlo plus

**HiFlo FPM**

Pos.	Part number	Description	Dimensions	Notes	Qty.	70	105	140	210	280	420
51	PKB.B101.TL.VI	Rotary lobe	70-4K45-L HiFlo	FPM <sup>(1)</sup>		1	-	-	-	-	-
	PKB.B101.TR.VI	Rotary lobe	70-4K45-R HiFlo	FPM <sup>(1)</sup>		1	-	-	-	-	-
	PKB.B102.TL.VI	Rotary lobe	105-4K45-L HiFlo	FPM <sup>(1)</sup>		-	1	-	2 (1)	-	-
	PKB.B102.TR.VI	Rotary lobe	105-4K45-R HiFlo	FPM <sup>(1)</sup>		-	1	-	2 (1)	-	-
	PKB.B103.TL.VI	Rotary lobe	140-4K45-L HiFlo	FPM <sup>(1)</sup>		-	-	1	-	2 (1)	3
	PKB.B103.TR.VI	Rotary lobe	140-4K45-R HiFlo	FPM <sup>(1)</sup>		-	-	1	-	2 (1)	3

<sup>(1)</sup> max. 6 bar [87 psi], please pay attention to the admissible pressure of pump!

**HiFlo WEROBUST**

Pos.	Part number	Description	Dimensions	Notes	Qty.	70	105	140	210	280	420
51	PKB.B101.TL.PU	Rotary lobe	70-4K45-L HiFlo	WEROBUST <sup>(2)</sup>		1	-	-	-	-	-
	PKB.B101.TR.PU	Rotary lobe	70-4K45-R HiFlo	WEROBUST <sup>(2)</sup>		1	-	-	-	-	-
	PKB.B102.TL.PU	Rotary lobe	105-4K45-L HiFlo	WEROBUST <sup>(2)</sup>		-	1	-	2 (1)	-	-
	PKB.B102.TR.PU	Rotary lobe	105-4K45-R HiFlo	WEROBUST <sup>(2)</sup>		-	1	-	2 (1)	-	-
	PKB.B103.TL.PU	Rotary lobe	140-4K45-L HiFlo	WEROBUST <sup>(2)</sup>		-	-	1	-	2 (1)	3
	PKB.B103.TR.PU	Rotary lobe	140-4K45-R HiFlo	WEROBUST <sup>(2)</sup>		-	-	1	-	2 (1)	3

<sup>(2)</sup> Attention! Usable up to 50°C medium temperature, only!

**HiFlo CSM Hypalon**

Pos.	Part number	Description	Dimensions	Notes	Qty.	70	105	140	210	280	420
51	PKB.B101.TL.CSM	Rotary lobe	70-4K45-L HiFlo	CSM		1	-	-	-	-	-
	PKB.B101.TR.CSM	Rotary lobe	70-4K45-R HiFlo	CSM		1	-	-	-	-	-
	PKB.B102.TL.CSM	Rotary lobe	105-4K45-L HiFlo	CSM		-	1	-	2 (1)	-	-
	PKB.B102.TR.CSM	Rotary lobe	105-4K45-R HiFlo	CSM		-	1	-	2 (1)	-	-

( ) quantity for HiFlo *plus*

**HiFlo plus**  
Position 54

**HiFlo SBR**

Pos.	Part number	Description	Dimensions	Notes	Qty.	70	105	140	210	280	420
54		Rotary lobe	105-4K45-L HiFloplus	SBR		-	-	-	(1)	-	-
		Rotary lobe	105-4K45-R HiFloplus	SBR		-	-	-	(1)	-	-
		Rotary lobe	140-4K45-L HiFloplus	SBR		-	-	-	-	(1)	-
		Rotary lobe	140-4K45-R HiFloplus	SBR		-	-	-	-	(1)	-

**HiFlo NBR**

Pos.	Part number	Description	Dimensions	Notes	Qty.	70	105	140	210	280	420
54	PKB0011	Rotary lobe	105-4K45-L HiFloplus	NBR		-	-	-	(1)	-	-
	PKB0012	Rotary lobe	105-4K45-R HiFloplus	NBR		-	-	-	(1)	-	-
	PKB0009	Rotary lobe	140-4K45-L HiFloplus	NBR		-	-	-	-	(1)	-
	PKB0010	Rotary lobe	140-4K45-R HiFloplus	NBR		-	-	-	-	(1)	-
		Rotary lobe	105-4K45-L HiFloplus	NBR white		-	-	-	(1)	-	-
		Rotary lobe	105-4K45-R HiFloplus	NBR white		-	-	-	(1)	-	-
		Rotary lobe	140-4K45-L HiFloplus	NBR white		-	-	-	-	(1)	-
		Rotary lobe	140-4K45-R HiFloplus	NBR white		-	-	-	-	(1)	-

**HiFlo EPDM**

Pos.	Part number	Description	Dimensions	Notes	Qty.	70	105	140	210	280	420
54		Rotary lobe	105-4K45-L HiFloplus	EPDM-SL		-	-	-	(1)	-	-
		Rotary lobe	105-4K45-R HiFloplus	EPDM-SL		-	-	-	(1)	-	-
	PKB0013	Rotary lobe	140-4K45-L HiFloplus	EPDM-SL		-	-	-	-	(1)	-
	PKB0014	Rotary lobe	140-4K45-R HiFloplus	EPDM-SL		-	-	-	-	(1)	-
		Rotary lobe	105-4K45-L HiFloplus	EPDM white		-	-	-	(1)	-	-
		Rotary lobe	105-4K45-R HiFloplus	EPDM white		-	-	-	(1)	-	-
		Rotary lobe	140-4K45-L HiFloplus	EPDM white		-	-	-	-	(1)	-
		Rotary lobe	140-4K45-R HiFloplus	EPDM white		-	-	-	-	(1)	-

**HiFlo FPM**

Pos.	Part number	Description	Dimensions	Notes	Qty.	70	105	140	210	280	420
54		Rotary lobe	105-4K45-L HiFloplus	FPM <sup>(1)</sup>		-	-	-	(1)	-	-
		Rotary lobe	105-4K45-R HiFloplus	FPM <sup>(1)</sup>		-	-	-	(1)	-	-
		Rotary lobe	140-4K45-L HiFloplus	FPM <sup>(1)</sup>		-	-	-	-	(1)	-
		Rotary lobe	140-4K45-R HiFloplus	FPM <sup>(1)</sup>		-	-	-	-	(1)	-

<sup>(1)</sup> max. 6 bar [87 psi], please pay attention to the admissible pressure of pump!

**HiFlo WEROBUST**

Pos.	Part number	Description	Dimensions	Notes	Qty.	70	105	140	210	280	420
54		Rotary lobe	105-4K45-L HiFloplus	WEROBUST <sup>(2)</sup>		-	-	-	(1)	-	-
		Rotary lobe	105-4K45-R HiFloplus	WEROBUST <sup>(2)</sup>		-	-	-	(1)	-	-
		Rotary lobe	140-4K45-L HiFloplus	WEROBUST <sup>(2)</sup>		-	-	-	-	(1)	-
		Rotary lobe	140-4K45-R HiFloplus	WEROBUST <sup>(2)</sup>		-	-	-	-	(1)	-

<sup>(2)</sup> Attention! Usable up to 50°C medium temperature, only!

**HiFlo CSM Hypalon**

Pos.	Part number	Description	Dimensions	Notes	Qty.	70	105	140	210	280	420
54	PKB0039	Rotary lobe	105-4K45-L HiFloplus	CSM		-	-	-	(1)	-	-
	PKB0040	Rotary lobe	105-4K45-R HiFloplus	CSM		-	-	-	(1)	-	-

( ) quantity for HiFlo plus

**Rotary lobes; bi-lobe**  
**Position 51**

Pos.	Part number	Description	Dimensions	Notes	Qty.	70	105	140	210	280	420
51	PKB.B018.Q	Rotary lobes; bi-lobe	70	NBR		2	-	-	-	-	-
	PKB.B035.Q	Rotary lobes; bi-lobe	105	NBR		-	2	-	4	-	-
	PKB.B028.Q	Rotary lobes; bi-lobe	140	NBR		-	-	2	-	4	6
	PKB.B018.QF	Rotary lobes; bi-lobe	70	NBR large rubber line		2	-	-	-	-	-
	PKB.B035.QF	Rotary lobes; bi-lobe	105	NBR large rubber line		-	2	-	4	-	-
	PKB.B018.QW	Rotary lobes; bi-lobe	70	NBR white		2	-	-	-	-	-
	PKB.B028.QW	Rotary lobes; bi-lobe	140	NBR white		-	-	2	-	4	6
	PKB.B016.Q	Rotary lobes; bi-lobe	70	SBR 70		2	-	-	-	-	-
	PKB.B033.Q	Rotary lobes; bi-lobe	105	SBR 70		-	2	-	4	-	-
	PKB.B026.Q	Rotary lobes; bi-lobe	140	SBR 70		-	-	2	-	4	6
	PKB.B021.Q.SL	Rotary lobes; bi-lobe	70	EPDM-SL		2	-	-	-	-	-
	PKB.B034.Q.SL	Rotary lobes; bi-lobe	105	EPDM-SL		-	2	-	4	-	-
	PKB.B030.Q.SL	Rotary lobes; bi-lobe	140	EPDM-SL		-	-	2	-	4	6
	PKB.B022.Q	Rotary lobes; bi-lobe	70	FPM <sup>(1)</sup>		2	-	-	-	-	-
	PKB.B037.Q	Rotary lobes; bi-lobe	105	FPM <sup>(1)</sup>		-	2	-	4	-	-
	PKB.B031.Q	Rotary lobes; bi-lobe	140	FPM <sup>(1)</sup>		-	-	2	-	4	6
	PKB.B023.Q	Rotary lobes; bi-lobe	70	WEROBUST <sup>(2)</sup>		2	-	-	-	-	-
	PKB.B036.Q	Rotary lobes; bi-lobe	105	WEROBUST <sup>(2)</sup>		-	2	-	4	-	-
PKB.B025.Q	Rotary lobes; bi-lobe	140	WEROBUST <sup>(2)</sup>		-	-	2	-	4	6	
51	PKB.B041.N1.E	Rotary lobes; bi-lobe	70	1.4571 <sup>(3)</sup>		2	-	4	-	-	-
	PKB.B042.N1.E	Rotary lobes; bi-lobe	105	1.4571 <sup>(3)</sup>		-	2	-	4	-	-
	PKB.B023.Q	Rotary lobes; bi-lobe	70	POM <sup>(3)</sup>		2	-	-	-	-	-
	PKB.B036.Q	Rotary lobes; bi-lobe	105	POM <sup>(3)</sup>		-	2	-	4	-	-
	PKB.B025.Q	Rotary lobes; bi-lobe	140	POM <sup>(3)</sup>		-	-	2	-	4	6

<sup>(1)</sup> max. 6 bar [87 psi], please pay attention to the admissible pressure of pump!

<sup>(2)</sup> Attention! Usable up to 50°C medium temperature, only!

<sup>(3)</sup> + O-ring for solid material lobe

**Solid material rotary lobes**

**HiFlo**

**Position 51**

Pos.	Part number	Description	Dimensions	Notes	Qty.	70	105	140	210	280	420
51	PKB.B104.N1.TLE	Rotary lobe	70-4K45-L HiFlo	1.4571 <sup>(3)</sup>		1	-	-	-	-	-
	PKB.B104.N1.TRE	Rotary lobe	70-4K45-R HiFlo	1.4571 <sup>(3)</sup>		1	-	-	-	-	-
	PKB.B105.N1.TLE	Rotary lobe	105-4K45-L HiFlo	1.4571 <sup>(3)</sup>		-	1	-	2 (1)	-	-
	PKB.B105.N1.TRE	Rotary lobe	105-4K45-R HiFlo	1.4571 <sup>(3)</sup>		-	1	-	2 (1)	-	-
	PKB.B106.N1.TLE	Rotary lobe	140-4K45-L HiFlo	1.4571 <sup>(3)</sup>		-	-	1	-	2 (1)	3
	PKB.B106.N1.TRE	Rotary lobe	140-4K45-R HiFlo	1.4571 <sup>(3)</sup>		-	-	1	-	2 (1)	3
51	PKB.B101.TL.POM	Rotary lobe <sup>(3)</sup>	70 4K45 L HiFlo	POM		1	-	-	-	-	-
	PKB.B101.TR.POM	Rotary lobe <sup>(3)</sup>	70 4K45 R HiFlo	POM		1	-	-	-	-	-
	PKB.B102.TL.POM	Rotary lobe <sup>(3)</sup>	105 4K45 L HiFlo	POM		-	1	-	2 (1)	-	-
	PKB.B102.TR.POM	Rotary lobe <sup>(3)</sup>	105 4K45 R HiFlo	POM		-	1	-	2 (1)	-	-
	PKB0015	Rotary lobe <sup>(3)</sup>	140 4K45 L HiFlo	POM		-	-	1	-	2 (1)	3
	PKB0016	Rotary lobe <sup>(3)</sup>	140 4K45 R HiFlo	POM		-	-	1	-	2 (1)	3

<sup>(3)</sup> + O-ring for solid material lobe

( ) quantity for HiFlo plus

**O-ring for solid material rotary lobes**

**Position 52-53**

Pos.	Part number	Description	Dimensions	Notes	Qty.	70	105	140	210	280	420
52	DOR.039	O-ring <sup>(5)</sup>	80 x 2.5	NBR		4	4	4	4	4	4
	DOR.039.EP	O-ring <sup>(5)</sup>	80 x 2.5	EPDM							
	DOR.039.VI	O-ring <sup>(5)</sup>	80 x 2.5	FPM							
	DOR.039.PT	O-ring <sup>(5)</sup>	80 x 2.5	Silicone FEP coated							
53	DOR.162	O-ring <sup>(5)</sup>	80 x 4	NBR		-	-	-	2	2	4
	DOR.162.EP	O-ring <sup>(5)</sup>	80 x 4	EPDM							
	DOR.162.VI	O-ring <sup>(5)</sup>	80 x 4	FPM							
	DOR.162.PT	O-ring <sup>(5)</sup>	80 x 4	Silicone FEP coated							

<sup>(5)</sup> for solid material lobes

**HiFlo plus**

**Position 54**

Pos.	Part number	Description	Dimensions	Notes	Qty.	70	105	140	210	280	420
54		Rotary lobe	105-4K45-L HiFloplus	1.4571 <sup>(3)</sup>		-	-	-	(1)	-	-
		Rotary lobe	105-4K45-R HiFloplus	1.4571 <sup>(3)</sup>		-	-	-	(1)	-	-
		Rotary lobe	140-4K45-L HiFloplus	1.4571 <sup>(3)</sup>		-	-	-	-	(1)	-
		Rotary lobe	140-4K45-R HiFloplus	1.4571 <sup>(3)</sup>		-	-	-	-	(1)	-
54		Rotary lobe <sup>(3)</sup>	105 4K45 L HiFloplus	POM		-	-	-	(1)	-	-
		Rotary lobe <sup>(3)</sup>	105 4K45 R HiFloplus	POM		-	-	-	(1)	-	-
	PKB0017	Rotary lobe <sup>(3)</sup>	140 4K45 L HiFloplus	POM		-	-	-	-	(1)	-
	PKB0018	Rotary lobe <sup>(3)</sup>	140 4K45 R HiFloplus	POM		-	-	-	-	(1)	-

<sup>(3)</sup> + O-ring for solid material lobe

( ) quantity for HiFlo plus

**Cover and accessories**

**Position 55-56**

Pos.	Part number	Description	Dimensions	Notes	Qty.	70	105	140	210	280	420
55	NIR.019	Inner ring	JR 45 x 50 x 20	For motor shaft		1	1	1	1	1	1
				For PTO shaft		2	2	2	2	2	2
56	PFL.B011.T5.N1	Cover				1	1	1	1	1	1

**Screws and accessories**

**Position 59-73**

Pos.	Part number	Description	Dimensions	Notes	Qty.	70	105	140	210	280	420
59	PSG.017	Sight glass	M16 x 1.5			2	2	2	2	2	2
60	DKR.005	Copper ring	C16 x 22 x 2	DIN 7603		8	8	8	8	8	8
61	NSK.088	Screw plug	M16 x 1.5	Magnetic		3	3	3	3	3	3
62	NSK.081	Hex socket screw plug	M16 x 1,5	DIN 910		1	1	1	1	1	1
63	NSK.072	Hexagon head bolt	M10 x 65	DIN 931		-	12	12	12	12	12
64	NSK0055	Hexagon head bolt	M10 x 65	DIN 933		-	12	12	10	12	12
	NGS0001	Threaded bolt	M10 x 180	DIN 976		12	-	-	-	-	-
65	NUS.004	Washer	A 10.5 x 20 x 2	DIN 125		-	48	48	48	72	72
66	NMK.001	Hexagon nut	M10	DIN 985-8		-	24	24	24	36	36
	NMK.018	Hexagon nut	M10	DIN 6331		24	-	-	-	-	-
67	NMS.003	Hexagon nut	M10			8	8	8	8	8	8
69	NSP.004	Spring pin	13 x 40	DIN 7346		4	4	4	4	4	4
70	NSK.010	Hexagon head bolt	M10 x 80	DIN 933		6	6	6	6	6	6
73	NSP.013	Spring pin	13 x 24	DIN 7346		8	8	8	8	8	8

**Buffer chamber enlargement**

**Position 74**

Pos.	Part number	Description	Dimensions	Notes	Qty.	70	105	140	210	280	420
74	PSG.014	Buffer fluid canister		Pressurized		2	2	2	2	2	2
	PSG.014.T1	Quench fluid canister		Ventilated (Option)							
	PSV.002.N1	Pressure valve		(Option)							

**Intermediate flange**

**Position 75-78**

Pos.	Part number	Description	Dimensions	Notes	Qty.	70	105	140	210	280	420
75	DOR0049	O-ring	282 x 4	NBR		1	1	1	1	1	1
	DOR0050	O-ring	282 x 4	FPM							
76	PGP0272	Intermediate flange				1	1	1	1	1	1
77	NSI.096.EE	Hex socket head screw	M10 x 18	Stainless steel		2	2	2	2	2	2
78	DOR.040	O-ring	M12 x 2	NBR		2	2	2	2	2	2
	DOR.040.EP	O-ring	M12 x 2	EPDM							
	DOR.040.VI	O-ring	M12 x 2	FPM							
	DOR.040.PT	O-ring	M12 x 2	Silicone FEP coated							

**Cartridge mechanical seal**

Pos. 79

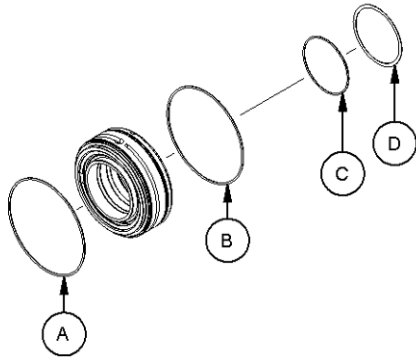
Pos.	Part number	Description	Dimensions	Notes	Qty.	70	105	140	210	280	420
<b>1.4571</b>											
79	PBT.B002.E	Cartridge mechanical seal		SiSiC / HNBR		4	4	4	4	4	4
	PBT.B003.E	Cartridge mechanical seal		SiSiC / FPM							
	PBT.B004.E	Cartridge mechanical seal		Duronit / HNBR <sup>(4)</sup>							
	PBT.B005.E	Cartridge mechanical seal		Duronit / FPM <sup>(4)</sup>							
	PBT.B006.E	Cartridge mechanical seal		SiSiC / EPDM							

**1.4571; block ring; single-mechanical seal**

	PBT.B010.E	Cartridge mechanical seal		SiSiC / HNBR		4	4	4	4	4	4
	PBT.B011.E	Cartridge mechanical seal		SiSiC / FPM							
	PBT.B012.E	Cartridge mechanical seal		Carbon / HNBR							
	PBT.B013.E	Cartridge mechanical seal		Carbon / FPM							
	PBT.B014.E	Cartridge mechanical seal		Carbon / EPDM							
	PBT.B019.E	Cartridge mechanical seal		Duronit / HNBR <sup>(4)</sup>							
	PBT.B037.E	Cartridge mechanical seal		SiSiC / EPDM							
	PBT.B040.E	Cartridge mechanical seal		Duronit / FPM <sup>(4)</sup>							

<sup>(4)</sup> up to 10 bar [145 psi] real operating pressure

**"Loose parts" for Cartridge mechanical seal**



Quantity per cartridge

Pos.	Part number	Description	Dimensions	Notes	Rep.	Qty.
A	DOR.085	O-ring	104 x 3	NBR		1
	DOR.085.VI	O-ring	104 x 3	FPM		
B	DOR.085	O-ring	104 x 3	NBR		2
	DOR.085.EP	O-ring	104 x 3	EPDM		
	DOR.085.VI	O-ring	104 x 3	FPM		
	DOR.085.PT	O-ring	104 x 3	Silicone FEP coated		
C	DOR.041	O-ring	60 x 2	NBR		1
	DOR.041.VI	O-ring	60 x 2	FPM		
D	NUS.029	Shim				1

These positions are contained in the Cartridge mechanical seal as "loose parts".


For option component mechanical seal, see pos. 200-213

**Bearing seal housing + accessories**  
Position 80-95

Pos.	Part number	Description	Dimensions	Notes	Qty.	70	105	140	210	280	420
80	PGP.B112.T1.E	Intermediate flange				1	1	1	1	1	1
81	NSP.031	Spring pin	11 x 18	DIN 7346		2	2	2	2	2	2
82	PGP.B110.T8	Bearing/ seal housing		Stainless steel		1	1	1	1	1	1
83	PRS.B116	O-ring carrier				2	2	2	2	2	2
84	NSR.043	Circlip	60 x 3.8 x 0.82			2	2	2	2	2	2
85	NLG.040	Cylindrical roller bearing	60 x 100 x 28			2	2	2	2	-	-
	NLG.040.T1	Cylindrical roller bearing	60 x 100 x 28			-	-	-	-	2	2
86	DOR.053	O-ring	110 x 3	NBR		2	2	2	2	2	2
87	PRS.B115	Sleeve				2	2	2	2	2	2
88	PRS.B114.N1	Clamping bush		For bearing		2	2	2	2	2	2
89	NTF.004	Disk spring	50 x 25.4 x 3	DIN 2096-A50		6	6	6	6	6	6
90	NSR.042	Circlip	50 x 3.1 x 0.82			2	2	2	2	2	2
91	PFL.B016	Lug				-	-	-	1	-	-
93	NSK.204	Hexagon head bolt	M 10 x 80	DIN 933		-	-	-	2	-	-
	NGS.088	Threaded rod	M 10 x 100	DIN 976		2	-	-	-	-	-
94	NSK.004	Hexagon head bolt	M 10 x 45	DIN 933		-	-	-	-	12	12
95	NSK0106	Screw plug	M 30 x 1,5	DIN 910-1		2	2	2	2	2	2
96	DKR0003	Sealing ring	A 30 x 36 x 2; Cu	DIN7603		2	2	2	2	2	2



**Tools**

Pos.	Part number	Description	Dimensions	Notes	Qty.	70	105	140	210	280	420
	PBA.B001.T1	Lobe puller	70-280 QD			x	x	x	x	x	
	PBA.B001.T2	Lobe puller	420 QD								x
<b>Cartridge mechanical seal</b>											
	WKZ0172	Tool set		Cartridge mechanical seal					x		
	WKZ0456	Disassembly tool Cartridge mechanical seal		Included in WKZ0172					(1)		
	PBA.B020.N1	Tool		Included in WKZ0456					(1)		
	NSI.155	Cylinder head bolt	M 5 x 12						(2)		
	NSK.155	Hexagon head bolt	M 8 x 80						(3)		
	PBA.B033.T1	Multi-purpose tool	→ 70QD-105QD	Cartridge mechanical seal + rotary lobe		x	x				
	PBA.B033.T2	Multi-purpose tool	→ 140QD-420QD	Cartridge mechanical seal + rotary lobe				x	x	x	x

**Material for connectors**

Pos.	Part number	Description	Dimensions	Notes	Qty.	70	105	140	210	280	420
	NSK.083	Hexagon head bolt	M10 x 25	DIN 933; stainless steel		20	24	24	28	32	48
	NUS.004.EE	Washer	A10.5 x 20 x 2	DIN 125; stainless steel		20	24	24	28	32	48
	PFL.010.E	Flange	70			2	-	-	-	-	-
	PFL.057.E	Flange	105			-	2	-	-	-	-
	PFL.005.E	Flange	140			-	-	2	-	-	-
	PFL.006.E	Flange	210			-	-	-	2	-	-
	PFL.026.E	Flange	280			-	-	-	-	2	-
	PFL.029.E	Flange	420			-	-	-	-	-	2
	DFD.011.P	Flange gasket	70			2	-	-	-	-	-
	DFD.033.P	Flange gasket	105			-	2	-	-	-	-
	DFD.005.P	Flange gasket	140			-	-	2	-	-	-
	DFD.006.P	Flange gasket	210			-	-	-	2	-	-
	DFD.117.P	Flange gasket	280			-	-	-	-	2	-
	DFD.119.P	Flange gasket	420			-	-	-	-	-	2

**Required spare parts for rotary lobe change**

Pos.	Part number	Description	Dimensions	Notes	Qty.	70	105	140	210	280	420
28	DOR.041	O-ring	60 x 2	NBR		2	2	2	2	2	2
	DOR.041.VI	O-ring	60 x 2	FPM							
34	NPF.010	Fitting key	B 14 x 9 x 28			2	-	-	-	-	-
	NPF.011	Fitting key	B 14 x 9 x 56			-	2	-	2	2	2
	NPF.023	Fitting key	B 14 x 9 x 90			-	-	-	-	4	-
	NPF.013	Fitting key	B 14 x 9 x 100			-	-	2	-	-	2
	NPF.012	Fitting key	B 14 x 9 x 110			-	-	-	2	-	4
46	DOR.043	O-ring	64 x 4	NBR		2	2	2	2	2	2
	DOR.043.VI	O-ring	64 x 4	FPM							
48	PRS.102	Strain bolt	M16			2	2	2	2	2	2
50	DOR.051	O-ring	280 x 6	NBR		1	1	1	1	1	1
	DOR.051.EP	O-ring	280 x 6	EPDM							
	DOR.051.VI	O-ring	280 x 6	FPM							
	DOR.051.PT	O-ring	280 x 6	Silicone FEP coated							
51-54		Rotary lobe		See page 10 and follow							
86	DOR.053	O-ring	110 x 3	NBR		2	2	2	2	2	2

<sup>5</sup> for solid material lobes

**Necessary spare parts for Cartridge mechanical seal change**

Pos.	Part number	Description	Dimensions	Notes	Qty.	70	105	140	210	280	420
28	DOR.041	O-ring	60 x 2	NBR		2	2	2	2	2	2
	DOR.041.VI	O-ring	60 x 2	FPM							
46	DOR.043	O-ring	64 x 4	NBR		2	2	2	2	2	2
	DOR.043.VI	O-ring	64 x 4	FPM							
48	PRS.102	Strain bolt	M16			2	2	2	2	2	2
50	DOR.051	O-ring	280 x 6	NBR		1	1	1	1	1	1
	DOR.051.EP	O-ring	280 x 6	EPDM							
	DOR.051.VI	O-ring	280 x 6	FPM							
	DOR.051.PT	O-ring	280 x 6	Silicone FEP coated							
<b>1.4571</b>											
79	PBT.B002.E	Cartridge mechanical seal		SiSiC / HNBR		4	4	4	4	4	4
	PBT.B003.E	Cartridge mechanical seal		SiSiC / FPM							
	PBT.B004.E	Cartridge mechanical seal		Duronit / HNBR <sup>(4)</sup>							
	PBT.B005.E	Cartridge mechanical seal		Duronit / FPM <sup>(4)</sup>							
	PBT.B006.E	Cartridge mechanical seal		SiSiC / EPDM							
<b>1.4571; block ring; single-mechanical seal</b>											
	PBT.B010.E	Cartridge mechanical seal		SiSiC / HNBR		4	4	4	4	4	4
	PBT.B011.E	Cartridge mechanical seal		SiSiC / FPM							
	PBT.B012.E	Cartridge mechanical seal		Carbon / HNBR							
	PBT.B013.E	Cartridge mechanical seal		Carbon / FPM							
	PBT.B014.E	Cartridge mechanical seal		Carbon / EPDM							
	PBT.B019.E	Cartridge mechanical seal		Duronit / HNBR <sup>(4)</sup>							
	PBT.B037.E	Cartridge mechanical seal		SiSiC / EPDM							
	PBT.B040.E	Cartridge mechanical seal		Duronit / FPM <sup>(4)</sup>							
86	DOR.053	O-ring	110 x 3	NBR		2	2	2	2	2	2

<sup>(4)</sup> up to 10 bar [145 psi] real operating pressure

**Necessary spare parts for wear part replacement with Cartridge mechanical seal**

Pos.	Part number	Description	Dimensions	Notes	Qty.	70	105	140	210	280	420
28	DOR.041	O-ring	60 x 2	NBR		2	2	2	2	2	2
	DOR.041.VI	O-ring	60 x 2	FPM							
34	NPF.010	Fitting key	B 14 x 9 x 28			2	-	-	-	-	-
	NPF.011	Fitting key	B 14 x 9 x 56			-	2	-	2	2	2
	NPF.023	Fitting key	B 14 x 9 x 90			-	-	-	-	4	-
	NPF.013	Fitting key	B 14 x 9 x 100			-	-	2	-	-	2
	NPF.012	Fitting key	B 14 x 9 x 110			-	-	-	2	-	4
37	PFL.B009.E	Wear plate		1.4571		2	2	2	2	2	2
	PFL.B009.E.G2	Wear plate		Plasma-hardened							
	PFL.B009.E.G1	Wear plate		Tungsten carbide coated + shim							
37	DAD.B004	Shim	0.3 mm	PA6 Polyamide		2	2	2	2	2	2
	DAD.B005	Shim	0.5 mm	PA6 Polyamide		2	2	2	2	2	2
38	NSK.025.EE	Hexagon head bolt	M 10 x 16	DIN 933		4	4	4	4	4	4
40	DAD.007	Gasket		Asbestos-free		4	4	4	4	6	6
46	DOR.043	O-ring	64 x 4	NBR		2	2	2	2	2	2
	DOR.043.VI	O-ring	64 x 4	FPM							
48	PRS.102	Strain bolt	M16			2	2	2	2	2	2
50	DOR.051	O-ring	280 x 6	NBR		1	1	1	1	1	1
	DOR.051.EP	O-ring	280 x 6	EPDM							
	DOR.051.VI	O-ring	280 x 6	FPM							
	DOR.051.PT	O-ring	280 x 6	Silicone FEP coated							
51-54		Rotary lobe		See page 10 and follow							
<b>1.4571</b>											
79	PBT.B002.E	Cartridge mechanical seal		SiSiC / HNBR		4	4	4	4	4	4
	PBT.B003.E	Cartridge mechanical seal		SiSiC / FPM							
	PBT.B004.E	Cartridge mechanical seal		Duronit / HNBR <sup>(4)</sup>							
	PBT.B005.E	Cartridge mechanical seal		Duronit / FPM <sup>(4)</sup>							
	PBT.B006.E	Cartridge mechanical seal		SiSiC / EPDM							
<b>1.4571; block ring; single-mechanical seal</b>											
	PBT.B010.E	Cartridge mechanical seal		SiSiC / HNBR		4	4	4	4	4	4
	PBT.B011.E	Cartridge mechanical seal		SiSiC / FPM							
	PBT.B012.E	Cartridge mechanical seal		Carbon / HNBR							
	PBT.B013.E	Cartridge mechanical seal		Carbon / FPM							
	PBT.B014.E	Cartridge mechanical seal		Carbon / EPDM							
	PBT.B019.E	Cartridge mechanical seal		Duronit / HNBR <sup>(4)</sup>							
	PBT.B037.E	Cartridge mechanical seal		SiSiC / EPDM							
	PBT.B040.E	Cartridge mechanical seal		Duronit / FPM <sup>(4)</sup>							
86	DOR.053	O-ring	110 x 3	NBR		2	2	2	2	2	2

<sup>(4)</sup> up to 10 bar [145 psi] real operating pressure

<sup>(5)</sup> for solid material lobes



**Hugo Vogelsang Maschinenbau GmbH**  
Holthöge 10-14  
49632 Essen/Oldb.

Phone: +49 (0) 54 34 83 0  
Fax: +49 (0) 54 34 83 10

vogelsang-gmbh.com  
info@vogelsang-gmbh.com

ENGINEERED TO WORK

**USA**  
**Vogelsang USA Ltd.**  
vogelsangusa.com

**Spanien**  
**Vogelsang S.L.**  
vogelsang.es

**Schweden**  
**Vogelsang Sverige AB**  
vogelsang.se

**Großbritannien**  
**Vogelsang Ltd.**  
vogelsang.co.uk

**Australien**  
**Vogelsang Pty. Ltd.**  
vogelsang.com.au

**Malaysia**  
**Vogelsang Malaysia**  
vogelsang.info

**Frankreich**  
**Vogelsang France S.A.R.L.**  
vogelsang.fr

**Indien**  
**Vogelsang India Private Limited**  
vogelsangindia.com

**Finnland**  
**Vogelsang Oy**  
vogelsang.fi

**Italien**  
**Vogelsang Italy Srl**  
vogelsang-srl.it

**Tschechische Republik**  
**Vogelsang CZ s.r.o.**  
vogelsang-czech.cz

**Irland**  
**Vogelsang Irland**  
vogelsang.ie

**Polen**  
**Vogelsang Poland Sp. z o.o.**  
vogelsang.pl

**Dänemark**  
**Vogelsang A/S**  
vogelsang-as.dk

**Südkorea**  
**Vogelsang Korea Co., Ltd.**  
vogelsang.co.kr

**Rumänien**  
**Vogelsang Romania SRL**  
vogelsang.ro

**Brasilien**  
**Vogelsang Brasil Ltda.**  
vogelsang.com.br

**Russland**  
**Vogelsang Russland**  
vogelsang.ru

**China**  
**Vogelsang Mechanical Engineering (Shanghai) Co., Ltd.**  
vogelsang.com.cn

**Mexico**  
**Vogelsang De México S.de R.L. de CV**  
vogelsang.mx

**Deutschland - Niederlassung Ost**  
**Vogelsang Lutherstadt Eisleben**  
vogelsang-gmbh.com