

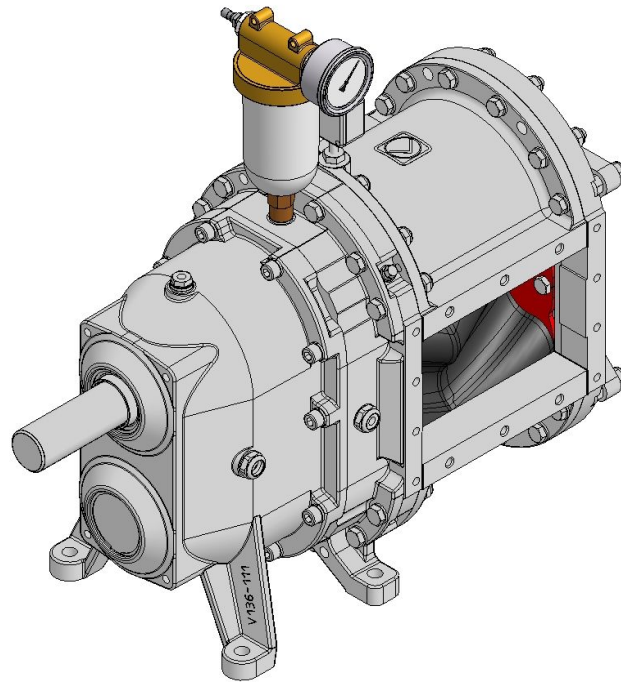


# Spare Parts List

## Explosion-Proof Rotary Lobe Pump

VX136QVVA

ENGINEERED TO WORK



---

**Issuer**

Vogelsang GmbH & Co. KG  
Holthöge 10-14  
49632 Essen/Oldb.

Phone: +49 54 34 83 0  
Fax: +49 54 34 83 10

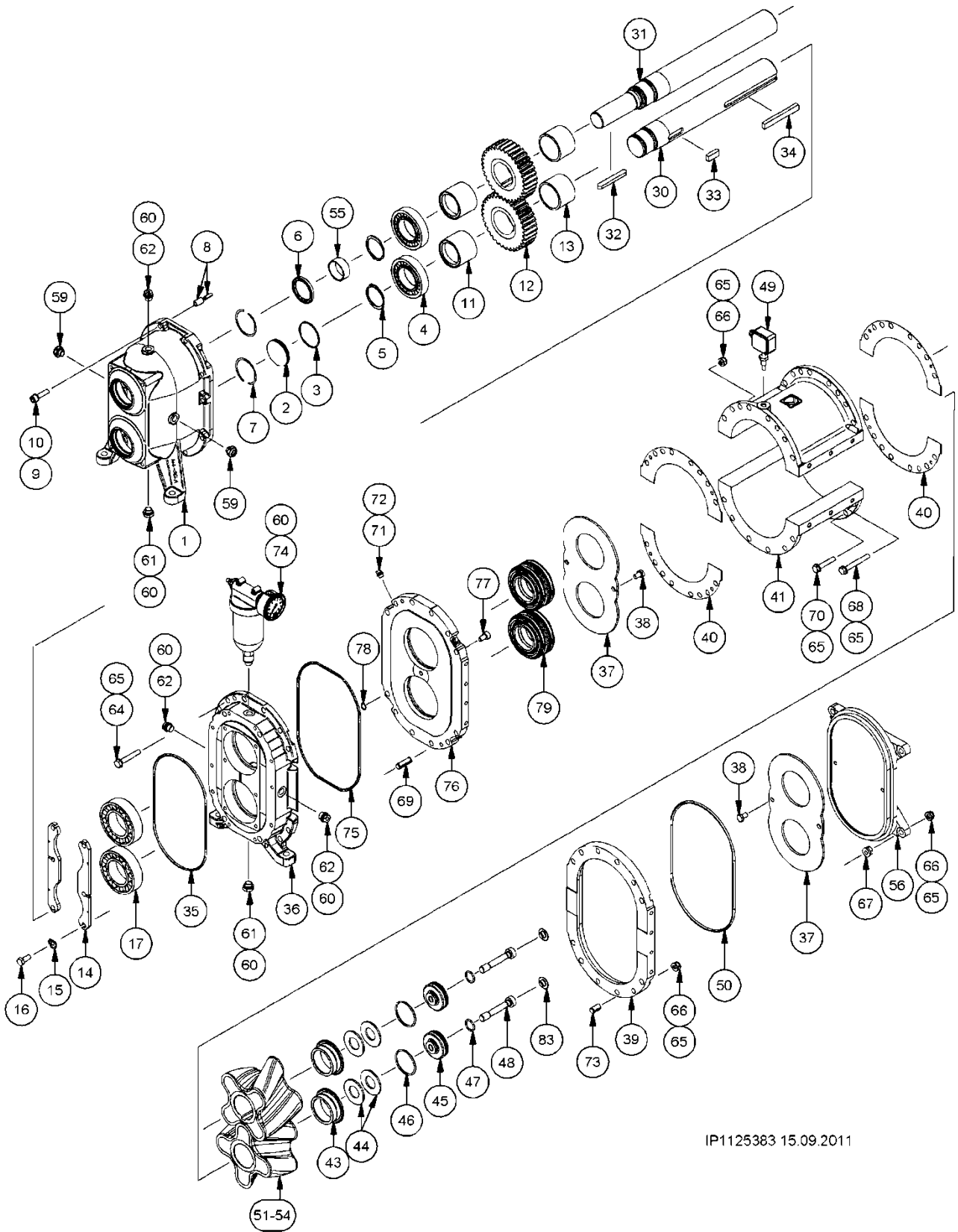
[www.vogelsang.info](http://www.vogelsang.info)  
[info@vogelsang.info](mailto:info@vogelsang.info)

© 2018 Vogelsang GmbH & Co. KG

## Contents

Exploded view .....	4
<b>Gearbox housing and accessories .....</b>	<b>5</b>
Position 1-17 .....	5
<b>PTO shaft .....</b>	<b>5</b>
Position 30/ 31 .....	5
<b>Motor shaft.....</b>	<b>5</b>
Position 30-32 .....	5
<b>Fitting key .....</b>	<b>6</b>
Position 33-34 .....	6
<b>Bearing seal housing + accessories .....</b>	<b>6</b>
Position 35-36 .....	6
<b>Wear plate .....</b>	<b>6</b>
Position 37-38 .....	6
<b>Cover flange .....</b>	<b>6</b>
Position 39 .....	6
<b>Gasket for pump housing segment .....</b>	<b>6</b>
Position 40 .....	6
<b>Pump housing segment.....</b>	<b>7</b>
Position 41 .....	7
<b>Hexagon nut .....</b>	<b>7</b>
Position 42 .....	7
<b>Preload .....</b>	<b>8</b>
Position 43-48 .....	8
<b>Temperature sensor.....</b>	<b>8</b>
Position 49 .....	8
<b>O-ring .....</b>	<b>8</b>
Position 50 .....	8
<b>Rotary lobes .....</b>	<b>9</b>
<b>HiFlo .....</b>	<b>9</b>
Position 51+54 .....	9
<b>Rotary lobes; bi-lobe.....</b>	<b>12</b>
Position 51 .....	12
<b>Solid material lobe .....</b>	<b>13</b>
<b>HiFlo .....</b>	<b>13</b>
Position 51+54 .....	13
<b>O-ring for solid material rotary lobes .....</b>	<b>13</b>
Position 52-53 .....	13
<b>Cover and accessories .....</b>	<b>14</b>
Position 54-56 .....	14
<b>Bolts and accessories .....</b>	<b>14</b>
Position 59-73 .....	14
<b>Buffer chamber enlargement .....</b>	<b>14</b>
Position 74 .....	14
<b>Intermediate flange .....</b>	<b>14</b>
Position 75-78 .....	14
<b>Cartridge mechanical seal.....</b>	<b>15</b>
Pos. 79.....	15
<b>"Loose parts" for Cartridge mechanical seal .....</b>	<b>16</b>
<b>Accessories .....</b>	<b>16</b>
Position 83 .....	16
<b>Tools.....</b>	<b>17</b>
<b>Operating material .....</b>	<b>17</b>
<b>Material for connectors.....</b>	<b>17</b>
<b>Required spare parts for rotary lobe change.....</b>	<b>18</b>
<b>Necessary spare parts for Cartridge mechanical seal change .....</b>	<b>19</b>
<b>Necessary spare parts for wear part replacement with Cartridge mechanical seal .....</b>	<b>21</b>

Exploded view



IP1125383 15.09.2011

## Gearbox housing and accessories

### Position 1-17

Pos.	Part number	Description	Dimensions	Notes	Qty.	70	105	140	210
1	PGP.B111.T1	Gearbox housing				1	1	1	1
	PGP.B111.T3	Gearbox housing		For hydraulic motor					
2	DOR.086	O-ring	59 x 3	NBR; for motor shaft		1	1	1	1
	DOR.086.VI	O-ring	59 x 3	FPM; for motor shaft					
3	PRS.B108	Plug disk for gearbox housing		For motor shaft		1	1	1	1
4	NLG.029	Cylindrical roller bearing	ø55 x ø100			2	2	2	2
5	NSR.010	Retaining ring	AS 55 x 3	DIN 471		2	2	2	2

#### For motor shaft

6	DWD.060.HNB	Radial shaft seal ring	50 x 65 x 7	HNBR		1	1	1	1
	DWD.058.VI	Radial shaft seal ring	50 x 65 x 7	FPM					

#### For PTO shaft

6	DWD.060.HNB	Radial shaft seal ring	50 x 65 x 7	HNBR		2	2	2	2
	DWD.058.VI	Radial shaft seal ring	50 x 65 x 7	FPM					
7	NSR.034	Multi-disc ring	65 x 3.8 x 0.82			2	2	2	2
8	NSP.023	Spring pin	13 x 22	ISO 8752		4	4	4	4
	NSP.025	Spring pin	8 x 24	ISO 8752					
9	NFR.003	Lock washer	ø10	DIN 127		14	10	10	10
10	NSI.001	Cylinder head bolt	M10 x 40	DIN 912		10	10	10	10
11	PRS.B006	Spacer sleeve		Floating bearing		2	2	2	2
12	PZH.003	Gear				2	2	2	2
13	PRS.B005	Distance sleeve		Fixed bearing		2	2	2	2
14	PFL.B010	Fixing sheet for bearing				2	2	2	2
15	NUS.066	Locking washer	10.5 mm	DIN 432		6	6	6	6
16	NSK.027	Hexagon head bolt	M10 x 25	DIN 933		6	6	6	6
17	NLG.026	Spherical roller bearing	22212 E1			2	2	2	2
	NLG.026.T1	Spherical roller bearing	22212 E	(Option)					

## PTO shaft

### Position 30/ 31

Pos.	Part number	Description	Dimensions	Notes	Qty.	70	105	140	210
30/31	PWQ.109.N1	PTO shaft	VX136-70-S-Q			2	-	-	-
	PWQ.110.N1	PTO shaft	VX136-105-S-Q			-	2	-	-
	PWQ.111.N1	PTO shaft	VX136-140-S-Q			-	-	2	-
	PWQ.112.N1	PTO shaft	VX136-210-S-Q			-	-	-	2

## Motor shaft

### Position 30-32

Pos.	Part number	Description	Dimensions	Notes	Qty.	70	105	140	210
30	PWQ.105.N1	Motor shaft	VX136-70-MK-Q	Short		1	-	-	-
	PWQ.106.N1	Motor shaft	VX136-105-MK-Q	Short		-	1	-	-
	PWQ.107.N1	Motor shaft	VX136-140-MK-Q	Short		-	-	1	-
	PWQ.108.N1	Motor shaft	VX136-210-MK-Q	Short		-	-	-	1
31	PWQ.101.N1	Motor shaft	VX136-70-ML-Q	Long		1	-	-	-
	PWQ.102.N1	Motor shaft	VX136-105-ML-Q	Long		-	1	-	-
	PWQ.103.N1	Motor shaft	VX136-140-ML-Q	Long		-	-	1	-
	PWQ.104.N1	Motor shaft	VX136-210-ML-Q	Long		-	-	-	1
	PWQ.105.N1.H	Hollow shaft <sup>(7)</sup>	VX136-70-MH-Q			1	-	-	-
	PWQ.106.N1.H	Hollow shaft <sup>(7)</sup>	VX136-105-MH-Q			-	1	-	-
	PWQ.107.N1.H	Hollow shaft <sup>(7)</sup>	VX136-140-MH-Q			-	-	1	-
	PWQ.108.N1.H	Hollow shaft <sup>(7)</sup>	VX136-210-MH-Q			-	-	-	1
32	NPF.046	Fitting key	A 12 x 8 x 90	For motor shaft long		1	1	1	1

<sup>(7)</sup> for hydraulic motor

**Fitting key****Position 33-34**

Pos.	Part number	Description	Dimensions	Notes	Qty.	70	105	140	210
33	NPF.022	Fitting key	B 14 x 9 x 35	DIN 6885		2	2	2	2
34	NPF.010	Fitting key	B 14 x 9 x 28			2	-	-	-
	NPF.011	Fitting key	B 14 x 9 x 56			-	2	-	2
	NPF.012	Fitting key	B 14 x 9 x 110			-	-	-	2
	NPF.013	Fitting key	B 14 x 9 x 100			-	-	2	-

**Bearing seal housing + accessories****Position 35-36**

Pos.	Part number	Description	Dimensions	Notes	Qty.	70	105	140	210
35	DOR.035	O-ring	245 x 5	NBR		1	1	1	1
	DOR.035.VI	O-ring	245 x 5	FPM					
36	PGP.B110.T2	Bearing seal housing				1	1	1	1

**Wear plate****Position 37-38**

Pos.	Part number	Description	Dimensions	Notes	Qty.	70	105	140	210
37	PFL.B009.E	Wear plate		1.4571		2	2	2	2
	PFL.B009.E.G2	Wear plate		Plasma hardened					
	PFL.B009.E.G1	Wear plate		Tungsten carbide coated + shim					

**For wear plate tungsten carbide coated**

37	DAD.B004	Shim	0.3 mm	PA6 Polyamide		2	2	2	2
	DAD.B005	Shim	0.5 mm	PA6 Polyamide		2	2	2	2
38	NSK.025.EE	Hexagon head bolt	M10 x 16	DIN 933		4	4	4	4

**Cover flange****Position 39**

Pos.	Part number	Description	Dimensions	Notes	Qty.	70	105	140	210
39	PGP.B004.N1.E	Cover flange				1	1	1	1

**Gasket for pump housing segment****Position 40**

Pos.	Part number	Description	Dimensions	Notes	Qty.	70	105	140	210
40	DAD.007	Gasket		Asbestos-free		4	4	4	4

## Pump housing segment

### Position 41

Pos.	Part number	Description	Dimensions	Notes	Qty.	70	105	140	210
------	-------------	-------------	------------	-------	------	----	-----	-----	-----



41	PGP.015.E	Pump housing segment	70	1.4581		2	-	-	-
	PGP.100.E	Pump housing segment	105	1.4581		-	2	-	-
	PGP.013.E	Pump housing segment	140	1.4581		-	-	2	-
	PGP.014.E	Pump housing segment	210	1.4581		-	-	-	2
	PGP.015.E.G1	Pump housing segment	70	Tungsten carbide coated		2	-	-	-
	PGP.100.E.G1	Pump housing segment	105	Tungsten carbide coated		-	2	-	-
	PGP.013.E.G1	Pump housing segment	140	Tungsten carbide coated		-	-	2	-
	PGP.014.E.G1	Pump housing segment	210	Tungsten carbide coated		-	-	-	2
	PGP.013. E.G2	Pump housing segment	140	Plasma-hardened		-	-	2	-



### Injection S

41	PGP.B122.E	Pump housing segment	70	1.4581		2	-	-	-
	PGP.B123.E	Pump housing segment	105	1.4581		-	2	-	-
	PGP.B120.E	Pump housing segment	140	1.4581		-	-	2	-
	PGP.B121.E	Pump housing segment	210	1.4581		-	-	-	2
	PGP.B122.E.G1	Pump housing segment	70	Tungsten carbide coated		2	-	-	-
	PGP.B123.E.G1	Pump housing segment	105	Tungsten carbide coated		-	2	-	-
	PGP.B120.E.G1	Pump housing segment	140	Tungsten carbide coated		-	-	2	-
	PGP.B121.E.G1	Pump housing segment	210	Tungsten carbide coated		-	-	-	2



### Injection A

41	PGP0153	Pump housing segment	70	1.4581		2	-	-	-
	PGP0144	Pump housing segment	105	1.4581		-	2	-	-
	PGP0128	Pump housing segment	140	1.4581		-	-	2	-
	PGP0209	Pump housing segment	140	Tungsten carbide coated		-	-	2	-

## Hexagon nut

### Position 42

Pos.	Part number	Description	Dimensions	Notes	Qty.	70	105	140	210
42	NMS.003	Hexagon nut	M10			4	-	-	-

## Preload

### Position 43-48

Pos.	Part number	Description	Dimensions	Notes	Qty.	70	105	140	210
43	PRS.B106.E	Sealing ring				2 0 <sup>(5)</sup>	2 0 <sup>(5)</sup>	2 0 <sup>(5)</sup>	2 0 <sup>(5)</sup>
44	NTF.005	Spring washer	63 x 31 x 3.5	DIN 2093		4	4	4	4
	NTF.002 <sup>(5)</sup>	Spring washer <sup>(5)</sup>	71 x 36 x 4	DIN 2093					
45	PRS.B107.E	Pressure disc				2	2	2	2
	PRS.B008.E <sup>(5)</sup>	Pressure disc <sup>(5)</sup>							
46	DOR.084	O-ring	58 x 4	NBR		2	2	2	2
	DOR.084.EP	O-ring	58 x 4	EPDM					
	DOR.084.VI	O-ring	58 x 4	FPM					
	DOR.084.PT	O-ring	58 x 4	Silicone FEP coated					
	DOR.043 <sup>(5)</sup>	O-ring	64 x 4	NBR					
	DOR.043.EP <sup>(5)</sup>	O-ring	64 x 4	EPDM					
	DOR.043.VI <sup>(5)</sup>	O-ring	64 x 4	FPM					
DOR.043.PT <sup>(5)</sup>	O-ring	64 x 4	Silicone FEP coated						
47	DOR.021	O-ring	24 x 3	NBR		2	2	2	2
	DOR.021.EP	O-ring	24 x 3	EPDM					
	DOR.021.VI	O-ring	24 x 3	FPM					
	DOR.021.PT	O-ring	24 x 3	Silicone FEP coated					
48	PRS.105.E	Strain bolt	M16 x 90			2	2	2	2
	PRS.117.E <sup>(5)</sup>	Strain bolt	M16 x 80						

<sup>(5)</sup> for solid material lobes without sealing ring Pos. 43

## Temperature sensor

### Position 49

Pos.	Part number	Description	Dimensions	Notes	Qty.	70	105	140	210
49	SSS.073.N1	Temperature sensor	PT100			1	1	1	1
	PRS.128	Reducing screw		M12 outside/ M8 inside		1	1	1	1

#### Loose parts for ATEX:

	NKS.006	Lifting eye bolt	M12	DIN 580		1	1	1	1
--	---------	------------------	-----	---------	--	---	---	---	---

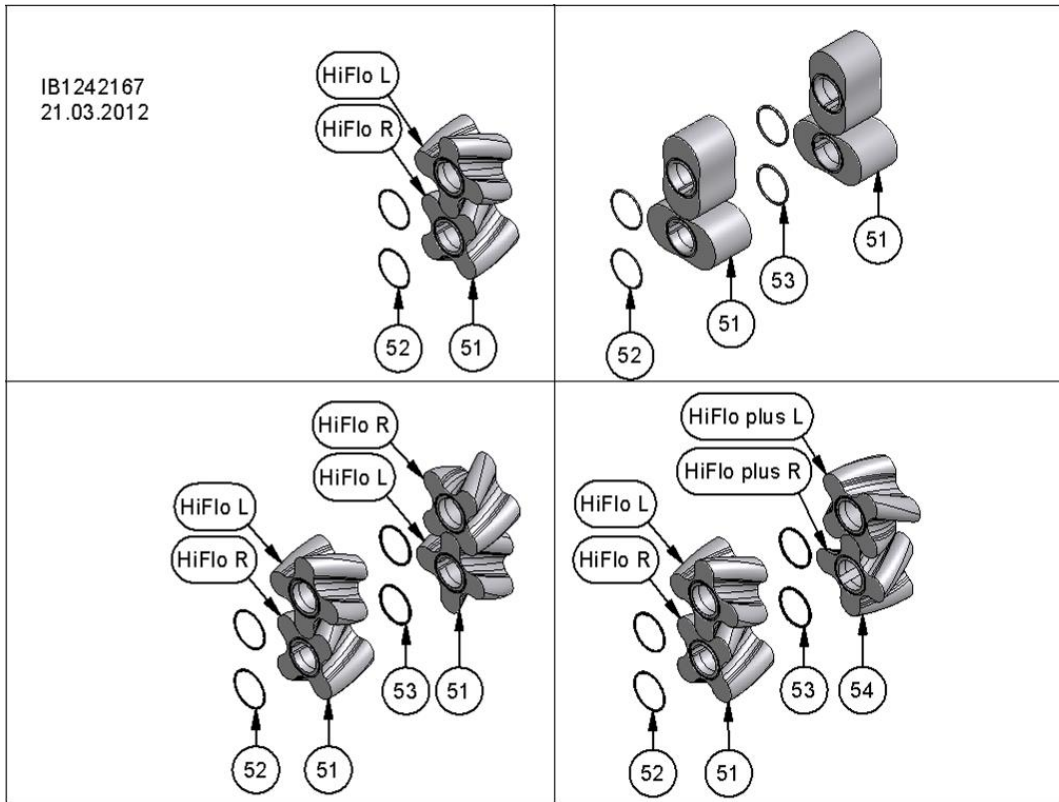
## O-ring

### Position 50

Pos.	Part number	Description	Dimensions	Notes	Qty.	70	105	140	210
50	DOR.051	O-ring	280 x 6	NBR		1	1	1	1
	DOR.051.EP	O-ring	280 x 6	EPDM					
	DOR.051.VI	O-ring	280 x 6	FPM					
	DOR.051.PT	O-ring	280 x 6	Silicone FEP coated					



## Rotary lobes



### HiFlo

Position 51+54

### HiFlo SBR

Pos.	Part number	Description	Dimensions	Notes	Qty.	70	105	140	210
51	PKB.B101.TL	Rotary lobe	70-4K45-L	SBR		1	-	-	-
	PKB.B101.TR	Rotary lobe	70-4K45-R	SBR		1	-	-	-
	PKB.B102.TL	Rotary lobe	105-4K45-L	SBR		-	1	-	2 (1)
	PKB.B102.TR	Rotary lobe	105-4K45-R	SBR		-	1	-	2 (1)
	PKB.B103.TL	Rotary lobe	140-4K45-L	SBR		-	-	1	-
	PKB.B103.TR	Rotary lobe	140-4K45-R	SBR		-	-	1	-
54		Rotary lobe	105-4K45-L HiFloplus	SBR		-	-	-	(1)
		Rotary lobe	105-4K45-R HiFloplus	SBR		-	-	-	(1)

( ) quantity for HiFlo plus

## HiFlo NBR

Pos.	Part number	Description	Dimensions	Notes	Qty.	70	105	140	210
51	PKB.B101.TL.NB	Rotary lobe	70-4K45-L	NBR		1	-	-	-
	PKB.B101.TR.NB	Rotary lobe	70-4K45-R	NBR		1	-	-	-
	PKB.B102.TL.NB	Rotary lobe	105-4K45-L	NBR		-	1	-	2 (1)
	PKB.B102.TR.NB	Rotary lobe	105-4K45-R	NBR		-	1	-	2 (1)
	PKB.B103.TL.NB	Rotary lobe	140-4K45-L	NBR		-	-	1	-
	PKB.B103.TR.NB	Rotary lobe	140-4K45-R	NBR		-	-	1	-
51	PKB.B101.TL.NBW	Rotary lobe	70-4K45-L	NBR white		1	-	-	-
	PKB.B101.TR.NBW	Rotary lobe	70-4K45-R	NBR white		1	-	-	-
	PKB.B102.TL.NBW	Rotary lobe	105-4K45-L	NBR white		-	1	-	2 (1)
	PKB.B102.TR.NBW	Rotary lobe	105-4K45-R	NBR white		-	1	-	2 (1)
	PKB.B103.TL.NBW	Rotary lobe	140-4K45-L	NBR white		-	-	1	-
	PKB.B103.TR.NBW	Rotary lobe	140-4K45-R	NBR white		-	-	1	-
54	PKB0011	Rotary lobe	105-4K45-L HiFloplus	NBR		-	-	-	(1)
	PKB0012	Rotary lobe	105-4K45-R HiFloplus	NBR		-	-	-	(1)
		Rotary lobe	105-4K45-L HiFloplus	NBR white		-	-	-	(1)
		Rotary lobe	105-4K45-R HiFloplus	NBR white		-	-	-	(1)

## HiFlo EPDM

Pos.	Part number	Description	Dimensions	Notes	Qty.	70	105	140	210
51	PKB.B101.TL.SL	Rotary lobe	70-4K45-L	EPDM-SL		1	-	-	-
	PKB.B101.TR.SL	Rotary lobe	70-4K45-R	EPDM-SL		1	-	-	-
	PKB.B102.TL.SL	Rotary lobe	105-4K45-L	EPDM-SL		-	1	-	2 (1)
	PKB.B102.TR.SL	Rotary lobe	105-4K45-R	EPDM-SL		-	1	-	2 (1)
	PKB.B103.TL.SL	Rotary lobe	140-4K45-L	EPDM-SL		-	-	1	-
	PKB.B103.TR.SL	Rotary lobe	140-4K45-R	EPDM-SL		-	-	1	-
51	PKB.B101.TL.EPW	Rotary lobe	70-4K45-L	EPDM white		1	-	-	-
	PKB.B101.TR.EPW	Rotary lobe	70-4K45-R	EPDM white		1	-	-	-
	PKB.B102.TL.EPW	Rotary lobe	105-4K45-L	EPDM white		-	1	-	2 (1)
	PKB.B102.TR.EPW	Rotary lobe	105-4K45-R	EPDM white		-	1	-	2 (1)
	PKB.B103.TL.EPW	Rotary lobe	140-4K45-L	EPDM white		-	-	1	-
	PKB.B103.TR.EPW	Rotary lobe	140-4K45-R	EPDM white		-	-	1	-
54		Rotary lobe	105-4K45-L HiFloplus	EPDM-SL		-	-	-	(1)
		Rotary lobe	105-4K45-R HiFloplus	EPDM-SL		-	-	-	(1)
		Rotary lobe	105-4K45-L HiFloplus	EPDM white		-	-	-	(1)
		Rotary lobe	105-4K45-R HiFloplus	EPDM white		-	-	-	(1)

## HiFlo FPM

Pos.	Part number	Description	Dimensions	Notes	Qty.	70	105	140	210
51	PKB.B101.TL.VI	Rotary lobe	70-4K45-L	FPM <sup>(1)</sup>		1	-	-	-
	PKB.B101.TR.VI	Rotary lobe	70-4K45-R	FPM <sup>(1)</sup>		1	-	-	-
	PKB.B102.TL.VI	Rotary lobe	105-4K45-L	FPM <sup>(1)</sup>		-	1	-	2 (1)
	PKB.B102.TR.VI	Rotary lobe	105-4K45-R	FPM <sup>(1)</sup>		-	1	-	2 (1)
	PKB.B103.TL.VI	Rotary lobe	140-4K45-L	FPM <sup>(1)</sup>		-	-	1	-
	PKB.B103.TR.VI	Rotary lobe	140-4K45-R	FPM <sup>(1)</sup>		-	-	1	-
54		Rotary lobe	105-4K45-L HiFloplus	FPM <sup>(1)</sup>		-	-	-	(1)
		Rotary lobe	105-4K45-R HiFloplus	FPM <sup>(1)</sup>		-	-	-	(1)

<sup>(1)</sup> max. 6 bar [87 psi], please pay attention to the admissible pressure of pump!

### HiFlo WEROBUST

Pos.	Part number	Description	Dimensions	Notes	Qty.	70	105	140	210
51	PKB.B101.TL.PU	Rotary lobe	70-4K45-L	WEROBUST <sup>(2)</sup>		1	-	-	-
	PKB.B101.TR.PU	Rotary lobe	70-4K45-R	WEROBUST <sup>(2)</sup>		1	-	-	-
	PKB.B102.TL.PU	Rotary lobe	105-4K45-L	WEROBUST <sup>(2)</sup>		-	1	-	2 (1)
	PKB.B102.TR.PU	Rotary lobe	105-4K45-R	WEROBUST <sup>(2)</sup>		-	1	-	2 (1)
	PKB.B103.TL.PU	Rotary lobe	140-4K45-L	WEROBUST <sup>(2)</sup>		-	-	1	-
	PKB.B103.TR.PU	Rotary lobe	140-4K45-R	WEROBUST <sup>(2)</sup>		-	-	1	-
54		Rotary lobe	105-4K45-L HiFloplus	WEROBUST <sup>(2)</sup>		-	-	-	(1)
		Rotary lobe	105-4K45-R HiFloplus	WEROBUST <sup>(2)</sup>		-	-	-	(1)

<sup>(2)</sup> Attention! Usable up to 50°C medium temperature, only!

### HiFlo CSM Hypalon

Pos.	Part number	Description	Dimensions	Notes	Qty.	70	105	140	210
51	PKB.B101.TL.CSM	Rotary lobe	70-4K45-L	CSM		1	-	-	-
	PKB.B101.TR.CSM	Rotary lobe	70-4K45-R	CSM		1	-	-	-
	PKB.B102.TL.CSM	Rotary lobe	105-4K45-L	CSM		-	1	-	2 (1)
	PKB.B102.TR.CSM	Rotary lobe	105-4K45-R	CSM		-	1	-	2 (1)
54	PBK0039	Rotary lobe	105-4K45-L HiFloplus	CSM		-	-	-	(1)
	PBK0040	Rotary lobe	105-4K45-R HiFloplus	CSM		-	-	-	(1)

### HiFlo PUR

Pos.	Part number	Description	Dimensions	Notes	Qty.	70	105	140	210
51	PKD0099	Rotary lobe	105 3F60L	PUR		-	1	-	2
	PKD0100	Rotary lobe	105 3F60R	PUR		-	1	-	2
	PKD0097	Rotary lobe	140 3F60L	PUR		-	-	1	-
	PKD0098	Rotary lobe	140 3F60R	PUR		-	-	1	-

( ) quantity for HiFlo plus

## Rotary lobes; bi-lobe

### Position 51

Pos.	Part number	Description	Dimensions	Notes	Qty.	70	105	140	210
51	PKB.B018.Q	Rotary lobe; bi-lobe	70	NBR		2	-	-	-
	PKB.B035.Q	Rotary lobe; bi-lobe	105	NBR		-	2	-	4
	PKB.B028.Q	Rotary lobe; bi-lobe	140	NBR		-	-	2	-
	PKB.B018.QF	Rotary lobe; bi-lobe	70	NBR large rubber lagging		2	-	-	-
	PKB.B035.QF	Rotary lobe; bi-lobe	105	NBR large rubber lagging		-	2	-	4
	PKB.B018.QW	Rotary lobe; bi-lobe	70	NBR white		2	-	-	-
	PKB.B028.QW	Rotary lobe; bi-lobe	140	NBR white		-	-	2	-
	PKB.B016.Q	Rotary lobe; bi-lobe	70	SBR 70		2	-	-	-
	PKB.B033.Q	Rotary lobe; bi-lobe	105	SBR 70		-	2	-	4
	PKB.B026.Q	Rotary lobe; bi-lobe	140	SBR 70		-	-	2	-
	PKB.B021.Q.SL	Rotary lobe; bi-lobe	70	EPDM-SL		2	-	-	-
	PKB.B034.Q.SL	Rotary lobe; bi-lobe	105	EPDM-SL		-	2	-	4
	PKB.B030.Q.SL	Rotary lobe; bi-lobe	140	EPDM-SL		-	-	2	-
	PKB.B022.Q	Rotary lobe; bi-lobe	70	FPM <sup>(1)</sup>		2	-	-	-
	PKB.B037.Q	Rotary lobe; bi-lobe	105	FPM <sup>(1)</sup>		-	2	-	4
	PKB.B031.Q	Rotary lobe; bi-lobe	140	FPM <sup>(1)</sup>		-	-	2	-
	PKB.B023.Q	Rotary lobe; bi-lobe	70	WEROBUST <sup>(2)</sup>		2	-	-	-
	PKB.B036.Q	Rotary lobe; bi-lobe	105	WEROBUST <sup>(2)</sup>		-	2	-	4
PKB.B025.Q	Rotary lobe; bi-lobe	140	WEROBUST <sup>(2)</sup>		-	-	2	-	
51	PKB.B041.N1.E	Rotary lobe; bi-lobe	70	1.4571 <sup>(3)</sup>		2	-	4	-
	PKB.B042.N1.E	Rotary lobe; bi-lobe	105	1.4571 <sup>(3)</sup>		-	2	-	4
	PKB.B023.Q	Rotary lobe; bi-lobe	70	POM <sup>(3)</sup>		2	-	-	-
	PKB.B036.Q	Rotary lobe; bi-lobe	105	POM <sup>(3)</sup>		-	2	-	4
	PKB.B025.Q	Rotary lobe; bi-lobe	140	POM <sup>(3)</sup>		-	-	2	-

<sup>(1)</sup> max. 6 bar [87 psi], please pay attention to the admissible pressure of pump!

<sup>(2)</sup> Attention! Usable up to 50°C medium temperature, only!

<sup>(3)</sup> + O-ring for solid material lobe

## Solid material lobe

### HiFlo

#### Position 51+54

Pos.	Part number	Description	Dimensions	Notes	Qty.	70	105	140	210
51	PKB.B104.N1.TLE	Rotary lobe	70-4K45-L HiFlo	1.4571 <sup>(3)</sup>		1	-	-	-
	PKB.B104.N1.TRE	Rotary lobe	70-4K45-R HiFlo	1.4571 <sup>(3)</sup>		1	-	-	-
	PKB.B105.N1.TLE	Rotary lobe	105-4K45-L HiFlo	1.4571 <sup>(3)</sup>		-	1	-	2 (1)
	PKB.B105.N1.TRE	Rotary lobe	105-4K45-R HiFlo	1.4571 <sup>(3)</sup>		-	1	-	2 (1)
	PKB.B106.N1.TLE	Rotary lobe	140-4K45-L HiFlo	1.4571 <sup>(3)</sup>		-	-	1	-
	PKB.B106.N1.TRE	Rotary lobe	140-4K45-R HiFlo	1.4571 <sup>(3)</sup>		-	-	1	-
51	PKB.B101.TL.POM	Rotary lobe	70-4K45-L HiFlo	POM <sup>(3)</sup>		1	-	-	-
	PKB.B101.TR.POM	Rotary lobe	70-4K45-R HiFlo	POM <sup>(3)</sup>		1	-	-	-
	PKB.B102.TL.POM	Rotary lobe	105-4K45-L HiFlo	POM <sup>(3)</sup>		-	1	-	2 (1)
	PKB.B102.TR.POM	Rotary lobe	105-4K45-R HiFlo	POM <sup>(3)</sup>		-	1	-	2 (1)
54		Rotary lobe <sup>(3)</sup>	105-4K45-L HiFlo <i>plus</i>	1.4571 <sup>(3)</sup>		-	-	-	(1)
		Rotary lobe <sup>(3)</sup>	105-4K45-R HiFlo <i>plus</i>	1.4571 <sup>(3)</sup>		-	-	-	(1)
		Rotary lobe <sup>(3)</sup>	105-4K45-L HiFlo <i>plus</i>	POM <sup>(3)</sup>		-	-	-	(1)
		Rotary lobe <sup>(3)</sup>	105-4K45-R HiFlo <i>plus</i>	POM <sup>(3)</sup>		-	-	-	(1)

<sup>(3)</sup> + O-ring for solid material lobe

( ) quantity for HiFlo *plus*

## O-ring for solid material rotary lobes

#### Position 52-53

Pos.	Part number	Description	Dimensions	Notes	Qty.	70	105	140	210
52	DOR.039	O-ring <sup>(5)</sup>	80 x 2,5	NBR		2	2	2	2
	DOR.039.EP	O-ring <sup>(5)</sup>	80 x 2,5	EPDM					
	DOR.039.VI	O-ring <sup>(5)</sup>	80 x 2,5	FPM					
	DOR.039.PT	O-ring <sup>(5)</sup>	80 x 2,5	Silikon FEP coated					
53	DOR.162	O-ring <sup>(5)</sup>	80 x 4	NBR		-	-	-	2
	DOR.162.EP	O-ring <sup>(5)</sup>	80 x 4	EPDM					
	DOR.162.VI	O-ring <sup>(5)</sup>	80 x 4	FPM					
	DOR.162.PT	O-ring <sup>(5)</sup>	80 x 4	Silikon FEP coated					

<sup>(5)</sup> for solid material lobe

## Cover and accessories

### Position 54-56

Pos.	Part number	Description	Dimensions	Notes	Qty.	70	105	140	210
55	NIR.019	Sleeve	JR 45 x 50 x 20	For motor shaft		1	1	1	1
				For PTO shaft		2	2	2	2
56	PGP.B005.T1.E	Cover plate				1	1	1	1

## Bolts and accessories

### Position 59-73

Pos.	Part number	Description	Dimensions	Notes	Qty.	70	105	140	210
59	PSG.017	Sight glass	M16 x 1.5			2	2	2	2
60	DKR.005	Copper ring	C16 x 22 x 2	DIN 7603		6	6	6	6
61	NSK.088	Screw plug	M16 x 1.5	Magnetic		2	2	2	2
62	NSK.081	Screw plug	M16 x 1,5	DIN 910		1	1	1	1
64	NSK.072	Hexagon head bolt	M10 x 65	DIN 931		12	12	12	12
65	NUS.004	Shim	A 10.5 x 20 x 2	DIN 125		44	48	48	48
66	NMK.001	Hexagon nut	M10	DIN 985 self-locking		24	24	24	24
67	PRS.B023	Distance nut	M10			4	4	4	4
68	NSK.204	Hexagon head bolt	M10 x 80	DIN 933		-	4	4	4
	NGS.008	Threaded rod	M10 x 100	DIN 976		4	-	-	-
69	NSP.004	Spring pin	13 x 40	DIN 7346		4	4	4	4
70	NSK.006	Hexagon head bolt	M10 x 55	DIN 933		8	8	8	8
71	NSK.080.EE	Screw plug	M 10 x 1	Pos.76 > PGP.B112.N1.E		4	4	4	4
72	DKR.001	Copper ring	C 10 x 16 x 1			4	4	4	4
73	NSP.013	Spring pin	13 x 24	ISO 13337		4	4	4	4

## Buffer chamber enlargement

### Position 74

Pos.	Part number	Description	Dimensions	Notes	Qty.	70	105	140	210
74	PSG.014	Buffer fluid tank		Pressurised		1	1	1	1
	PSG.014.T1	Quench fluid tank		Ventilated (Option)					
	PSV.002.N1	Pressure valve		(Option)					

## Intermediate flange

### Position 75-78

Pos.	Part number	Description	Dimensions	Notes	Qty.	70	105	140	210
75	DOR0049	O-ring	282 x 4	NBR		1	1	1	1
	DOR0050	O-ring	282 x 4	FPM					
76	PGP0272	Intermediate flange				1	1	1	1
	PGP.B112.N1.E	Intermediate flange		+ Pos. 71-72 option: lubricating hole					
77	NSI.096.EE	Hexagon head bolt	M10 x 18	DIN 912		1	1	1	1
78	DOR.040	O-ring	12 x 2	NBR		1	1	1	1
	DOR.040.EP	O-ring	12 x 2	EPDM					
	DOR.040.VI	O-ring	12 x 2	FPM					
	DOR.040.PT	O-ring	12 x 2	Silicone FEP coated					

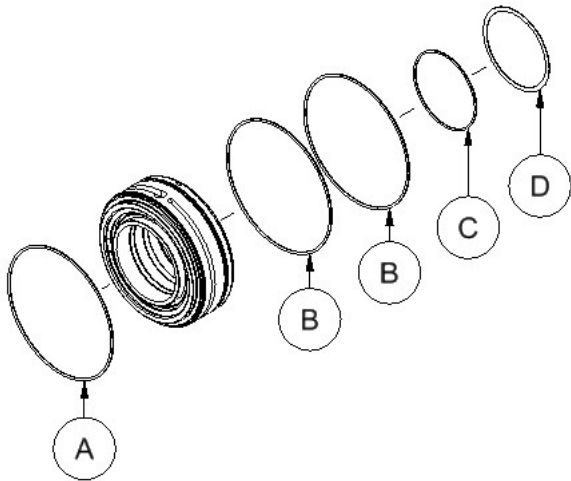
## Cartridge mechanical seal

Pos. 79

Pos.	Part number	Description	Dimensions	Notes	Qty.	70	105	140	210	
<b>Stainless steel</b>										
79	PBT.B002.E	Cartridge mechanical seal HD; single mechanical seal		1.4571 SiC; HNBR, HNBR						
	PBT1829			1.4571 SiC; EPDM, FPM						
	PBT1825			1.4571 SiC; FPM, FPM						
	PBT0530			1.4501 SiC; HNBR, HNBR						
	PBT1170			1.4462 SiC; HNBR, HNBR						
	PBT1759			1.4462 SiC; EPDM, FPM						
	PBT0513			1.4539 SiC; HNBR, HNBR						
	PBT1754			1.4539 SiC; EPDM, FPM						
	PBT1764			1.4539 SiC; FPM, FPM						
	PBT.B004.E			1.4571 Duronit <sup>(4)</sup> ; HNBR, HNBR						
	PBT1827			1.4571 Duronit <sup>(4)</sup> ; FPM, FPM						
	PBT1766			1.4571 Duronit <sup>(4)</sup> ; MVQ, FPM						
	PBT1756			1.4501 SiC; EPDM, FPM						
	PBT1757			1.4501 SiC; FPM, FPM						
	PBT.B010.E		Cartridge mechanical seal Block ring; single mechanical seal		1.4571 WC/SiC; HNBR, HNBR					
	PBT0791			1.4571 WC/SiC; HNBR, HNBR						
	PBT0442			1.4571 WC/SiC; FPM, FPM						
	PBT1861			1.4571 WC/SiC; FPM, PTFE						
	PBT0357			1.4571 WC/SiC; EPDM, FPM						
	PBT.B012.E			1.4571 WC/carbon; HNBR, NBR						
	PBT1732			1.4571 WC/carbon; FPM, FPM						
	PBT1734			1.4571 WC/carbon; EPDM, FPM						
	PBT.B019.E			1.4571 CrO/Duronit <sup>(4)</sup> HNBR, HNBR						
	PBT0597			1.4571 WC/SiC; FFPM, FPM						
PBT1748		1.4571 WC/SiC; FFPM, FPM								
PBT1751		1.4501 CrO/Duronit <sup>(4)</sup> FFPM, FPM								
PBT0756		1.4571 CrO/1.4301; HNBR, HNBR								

<sup>(4)</sup> up to 10 bar [145 psi] real operating pressure

## "Loose parts" for Cartridge mechanical seal



Quantity per cartridge

Pos.	Part number	Description	Dimensions	Notes	Qty.
A	DOR.085	O-ring	104 x 3	NBR	1
	DOR.085.VI	O-ring	104 x 3	FPM	
B	DOR.085	O-ring	104 x 3	NBR	2
	DOR.085.EP	O-ring	104 x 3	EPDM	
	DOR.085.VI	O-ring	104 x 3	FPM	
	DOR.085.PT	O-ring	104 x 3	Silicone FEP coated	
C	DOR.041	O-ring	60 x 2	NBR	1
	DOR.041.VI	O-ring	60 x 2	FPM	
D	NUS.029	Shim			1

These positions are contained in the Cartridge mechanical seal as "loose parts".

## Accessories

### Position 83


Pos.	Part number	Description	Dimensions	Notes	Qty.	70	105	140	210
83	NST.017	Plastic plug for strain screw				2	2	2	2



## Tools

Pos.	Part number	Description	Dimensions	Notes	Qty.	70	105	140	210
	PBA.B001.TK	Rotary lobe puller	70/105			x	x		
	PBA.B001.TL	Rotary lobe puller	140/210					x	x

### Cartridge mechanical seal:

	WKZ0172	Tool set		Cartridge mechanical seal			x		
	WKZ0456	Disassembly tool Cartridge mechanical seal		Included in WKZ0172					
	PBA.B020.N1	Assembly tool		Included in WKZ0456			(1)		
	NSI.155	Cylinder head bolt	M 5 x 12				(2)		
	NSK.155	Hexagon head bolt	M 8 x 80				(3)		
	PBA.B033.T1	Multi-purpose tool	→ 70Q-210Q	Cartridge mechanical seal - rotary lobe		x	x	x	x
	WKZ0105	Service tool box	VX136Q						

## Operating material

Pos.	Part number	Description	Dimensions	Notes	Qty.	70	105	140	210
	DDM.004	Curil sealing material		For asbestos-free gasket			x		
	BKL.013	WEICONLOCK asbestos-free gasket	AN305-74	For bearing housing				x	
	BSS.008	Grease	Renolit CP	For bearing				x	
	BSS.006	Mineral oil		Titan Gear MP 90				x	

## Material for connectors

Pos.	Part number	Description	Dimensions	Notes	Qty.	70	105	140	210
	NSK.027	Hexagon head bolt	M10 x 25	DIN 933		20	24	24	28
	NUS.004	Washer	A10.5 x 20 x 2	DIN 125		20	24	24	28
	PFL.010.E	Flange	70	1.4571		2	-	-	-
	PFL.057.E	Flange	105	1.4571		-	2	-	-
	PFL.005.E	Flange	140	1.4571		-	-	2	
	PFL.006.E	Flange	210	1.4571		-	-	-	2
	DFD.011.P	Flange gasket	70			2	-	-	-
	DFD.033.P	Flange gasket	105			-	2	-	-
	DFD.005.P	Flange gasket	140			-	-	2	-
	DFD.006.P	Flange gasket	210			-	-	-	2

## Required spare parts for rotary lobe change

Pos.	Part number	Description	Dimensions	Notes	Qty.	70	105	140	210
34	NPF.010	Fitting key	B 14 x 9 x 28			2	-	-	-
	NPF.011	Fitting key	B 14 x 9 x 56			-	2	-	2
	NPF.012	Fitting key	B 14 x 9 x 110			-	-	-	2
	NPF.013	Fitting key	B 14 x 9 x 100			-	-	2	-
46	DOR.084	O-ring	58 x 4	NBR		2	2	2	2
	DOR.084.EP	O-ring	58 x 4	EPDM					
	DOR.084.VI	O-ring	58 x 4	FPM					
	DOR.084.PT	O-ring	58 x 4	Silicone FEP coated					
	DOR.043 <sup>(5)</sup>	O-ring	64 x 4	NBR					
	DOR.043.EP <sup>(5)</sup>	O-ring	64 x 4	EPDM					
	DOR.043.VI <sup>(5)</sup>	O-ring	64 x 4	FPM					
DOR.043.PT <sup>(5)</sup>	O-ring	64 x 4	Silicone FEP coated						
47	DOR.021	O-ring	24 x 3	NBR		2	2	2	2
	DOR.021.EP	O-ring	24 x 3	EPDM					
	DOR.021.VI	O-ring	24 x 3	FPM					
	DOR.021.PT	O-ring	24 x 3	Silicone FEP coated					
48	PRS.105.E	Strain bolt	M16 x 90			2	2	2	2
	PRS.117.E <sup>(5)</sup>	Strain bolt	M16 x 80						
50	DOR.051	O-ring	280 x 6	NBR		1	1	1	1
	DOR.051.EP	O-ring	280 x 6	EPDM					
	DOR.051.VI	O-ring	280 x 6	FPM					
	DOR.051.PT	O-ring	280 x 6	Silicone FEP coated					
51-54		Rotary lobe		See page 10 and follow					
83	NST.017	Plastic plug for strain screw				2	2	2	2

<sup>(5)</sup> for solid material lobes without sealing ring Pos. 43

## Necessary spare parts for Cartridge mechanical seal change

Pos.	Part number	Description	Dimensions	Notes	Qty.	70	105	140	210
46	DOR.084	O-ring	58 x 4	NBR	2	2	2	2	
	DOR.084.EP	O-ring	58 x 4	EPDM					
	DOR.084.VI	O-ring	58 x 4	FPM					
	DOR.084.PT	O-ring	58 x 4	Silicone FEP coated					
	DOR.043 <sup>(5)</sup>	O-ring	64 x 4	NBR					
	DOR.043.EP <sup>(5)</sup>	O-ring	64 x 4	EPDM					
	DOR.043.VI <sup>(5)</sup>	O-ring	64 x 4	FPM					
	DOR.043.PT <sup>(5)</sup>	O-ring	64 x 4	Silicone FEP coated					
47	DOR.021	O-ring	24 x 3	NBR	2	2	2	2	
	DOR.021.EP	O-ring	24 x 3	EPDM					
	DOR.021.VI	O-ring	24 x 3	FPM					
	DOR.021.PT	O-ring	24 x 3	Silicone FEP coated					
48	PRS.105.E	Strain bolt	M16 x 90		2	2	2	2	
	PRS.117.E <sup>(5)</sup>	Strain bolt	M16 x 80						
50	DOR.051	O-ring	280 x 6	NBR	1	1	1	1	
	DOR.051.EP	O-ring	280 x 6	EPDM					
	DOR.051.VI	O-ring	280 x 6	FPM					
	DOR.051.PT	O-ring	280 x 6	Silicone FEP coated					
83	NST.017	Plastic plug for strain screw			2	2	2	2	

<sup>(5)</sup> for solid material lobes without sealing ring Pos. 43

Continuation see next page

Pos.	Part number	Description	Dimensions	Notes	Qty.	70	105	140	210
<b>Stainless steel</b>									
79	PBT.B002.E	Cartridge mechanical seal HD; single mechanical seal		1.4571 SiC; HNBR, HNBR					
	PBT1829			1.4571 SiC; EPDM, FPM					
	PBT1825			1.4571 SiC; FPM, FPM					
	PBT0530			1.4501 SiC; HNBR, HNBR					
	PBT1170			1.4462 SiC; HNBR, HNBR					
	PBT1759			1.4462 SiC; EPDM, FPM					
	PBT0513			1.4539 SiC; HNBR, HNBR					
	PBT1754			1.4539 SiC; EPDM, FPM					
	PBT1764			1.4539 SiC; FPM, FPM					
	PBT.B004.E			1.4571 Duronit <sup>(4)</sup> ; HNBR, HNBR					
	PBT1827			1.4571 Duronit <sup>(4)</sup> ; FPM, FPM					
	PBT1766			1.4571 Duronit <sup>(4)</sup> ; MVQ, FPM					
	PBT1756			1.4501 SiC; EPDM, FPM					
	PBT1757			1.4501 SiC; FPM, FPM					
	PBT.B010.E	Cartridge mechanical seal Block ring; single mechanical seal		1.4571 WC/SiC; HNBR, HNBR					
	PBT0791			1.4571 WC/SiC; HNBR, HNBR					
	PBT0442			1.4571 WC/SiC; FPM, FPM					
	PBT1861			1.4571 WC/SiC; FPM, PTFE					
	PBT0357			1.4571 WC/SiC; EPDM, FPM					
	PBT.B012.E			1.4571 WC/carbon; HNBR, NBR					
	PBT1732			1.4571 WC/carbon; FPM, FPM					
	PBT1734			1.4571 WC/carbon; EPDM, FPM					
	PBT.B019.E			1.4571 CrO/Duronit <sup>(4)</sup> HNBR, HNBR					
	PBT0597			1.4571 WC/SiC; FFPM, FPM					
	PBT1748			1.4571 WC/SiC; FFPM, FPM					
	PBT1751			1.4501 CrO/Duronit <sup>(4)</sup> FFPM, FPM					
PBT0756		1.4571 CrO/1.4301; HNBR, HNBR							

<sup>(4)</sup> up to 10 bar [145 psi] real operating pressure

## Necessary spare parts for wear part replacement with Cartridge mechanical seal

Pos.	Part number	Description	Dimensions	Notes	Qty.	70	105	140	210
34	NPF.010	Fitting key	B 14 x 9 x 28			2	-	-	-
	NPF.011	Fitting key	B 14 x 9 x 56			-	2	-	2
	NPF.012	Fitting key	B 14 x 9 x 110			-	-	-	2
	NPF.013	Fitting key	B 14 x 9 x 100			-	-	2	-
37	PFL.B009.E	Wear plate		1.4571		2	2	2	2
	PFL.B009.E.G2	Wear plate		Plasma hardened					
	PFL.B009.E.G1	Wear plate		Tungsten carbide coated + shim					
<b>For wear plate tungsten carbide coated</b>									
37	DAD.B004	Shim	0.3 mm	PA6 Polyamide		2	2	2	2
	DAD.B005	Shim	0.5 mm	PA6 Polyamide		2	2	2	2
38	NSK.025.EE	Hexagon head bolt	M10 x 16	DIN 933		4	4	4	4
40	DAD.007	Gasket		Asbestos-free		4	4	4	4
46	DOR.084	O-ring	58 x 4	NBR		2	2	2	2
	DOR.084.EP	O-ring	58 x 4	EPDM					
	DOR.084.VI	O-ring	58 x 4	FPM					
	DOR.084.PT	O-ring	58 x 4	Silicone FEP coated					
	DOR.043 <sup>(5)</sup>	O-ring	64 x 4	NBR					
	DOR.043.EP <sup>(5)</sup>	O-ring	64 x 4	EPDM					
	DOR.043.VI <sup>(5)</sup>	O-ring	64 x 4	FPM					
	DOR.043.PT <sup>(5)</sup>	O-ring	64 x 4	Silicone FEP coated					
47	DOR.021	O-ring	24 x 3	NBR		2	2	2	2
	DOR.021.EP	O-ring	24 x 3	EPDM					
	DOR.021.VI	O-ring	24 x 3	FPM					
	DOR.021.PT	O-ring	24 x 3	Silicone FEP coated					
48	PRS.105.E	Strain bolt	M16 x 90			2	2	2	2
	PRS.117.E <sup>(5)</sup>	Strain bolt	M16 x 80						
50	DOR.051	O-ring	280 x 6	NBR		1	1	1	1
	DOR.051.EP	O-ring	280 x 6	EPDM					
	DOR.051.VI	O-ring	280 x 6	FPM					
	DOR.051.PT	O-ring	280 x 6	Silicone FEP coated					
51-54		Rotary lobe		See page 10 and follow					
83	NST.017	Plastic plug for strain screw				2	2	2	2

<sup>(5)</sup> for solid material lobes without sealing ring Pos. 43

Continuation see next page

**Stainless steel**

79	PBT.B002.E	Cartridge mechanical seal HD; single mechanical seal	1.4571 SiC; HNBR, HNBR		2
	PBT1829		1.4571 SiC; EPDM, FPM		
	PBT1825		1.4571 SiC; FPM, FPM		
	PBT0530		1.4501 SiC; HNBR, HNBR		
	PBT1170		1.4462 SiC; HNBR, HNBR		
	PBT1759		1.4462 SiC; EPDM, FPM		
	PBT0513		1.4539 SiC; HNBR, HNBR		
	PBT1754		1.4539 SiC; EPDM, FPM		
	PBT1764		1.4539 SiC; FPM, FPM		
	PBT.B004.E		1.4571 Duronit <sup>(4)</sup> ; HNBR, HNBR		
	PBT1827		1.4571 Duronit <sup>(4)</sup> ; FPM, FPM		
	PBT1766		1.4571 Duronit <sup>(4)</sup> ; MVQ, FPM		
	PBT1756		1.4501 SiC; EPDM, FPM		
	PBT1757		1.4501 SiC; FPM, FPM		
	PBT.B010.E		Cartridge mechanical seal Block ring; single mechanical seal	1.4571 WC/SiC; HNBR, HNBR	
	PBT0791	1.4571 WC/SiC; HNBR, HNBR			
	PBT0442	1.4571 WC/SiC; FPM, FPM			
	PBT1861	1.4571 WC/SiC; FPM, PTFE			
	PBT0357	1.4571 WC/SiC; EPDM, FPM			
	PBT.B012.E	1.4571 WC/carbon; HNBR, NBR			
	PBT1732	1.4571 WC/carbon; FPM, FPM			
	PBT1734	1.4571 WC/carbon; EPDM, FPM			
	PBT.B019.E	1.4571 CrO/Duronit <sup>(4)</sup> HNBR, HNBR			
	PBT0597	1.4571 WC/SiC; FEPM, FPM			
	PBT1748	1.4571 WC/SiC; FFPM, FPM			
	PBT1751	1.4501 CrO/Duronit <sup>(4)</sup> FFPM, FPM			
	PBT0756	1.4571 CrO/1.4301; HNBR, HNBR			

<sup>(4)</sup> up to 10 bar [145 psi] real operating pressure

# **V**OGELSANG



## **Vogelsang GmbH & Co. KG**

Holthöge 10-14  
49632 Essen/Oldb.

Phone: +49 (0) 54 34 83 0  
Fax: +49 (0) 54 34 83 10

www.vogelsang.info  
info@vogelsang.info

## ENGINEERED TO WORK

### **Australien**

**Vogelsang Pty. Ltd.**  
vogelsang.com.au

### **Brasilien**

**Vogelsang Brasil Ltda.**  
vogelsang.com.br

### **China**

**Vogelsang Mechanical  
Engineering (Shanghai) Co., Ltd.**  
vogelsang.com.cn

### **Dänemark**

**Vogelsang A/S**  
vogelsang-as.dk

### **Deutschland - Niederlassung Ost**

**Vogelsang Lutherstadt Eisleben**  
vogelsang.info

### **Finnland**

**Vogelsang Oy**  
vogelsang.fi

### **Frankreich**

**Vogelsang France S.A.R.L.**  
vogelsang.fr

### **Großbritannien**

**Vogelsang Ltd.**  
vogelsang.co.uk

### **Indien**

**Vogelsang India Private Limited**  
vogelsangindia.com

### **Irland**

**Vogelsang Ireland**  
vogelsang.ie

### **Italien**

**Vogelsang Italy Srl**  
vogelsang-srl.it

### **Malaysia**

**Vogelsang Malaysia**  
vogelsang.info

### **Mexico**

**Vogelsang De México  
S.de R.L. de CV**  
vogelsang.mx

### **Niederlande**

**Bos Benelux BV**  
b.bos@bosbenelux.com

### **Österreich**

**Vogelsang Austria GmbH**  
vogelsang-austria.at

### **Polen**

**Vogelsang Poland Sp. z o.o.**  
vogelsang.pl

### **Rumänien**

**Vogelsang Romania SRL**  
vogelsang.ro

### **Russland**

**OOO Vogelsang Russland**  
vogelsang.ru

### **Slowenien**

**VGS TECH GREGOR TURSIC S.P.**  
vogelsang.info

### **Schweden**

**Vogelsang Sverige AB**  
vogelsang.se

### **Spanien**

**Vogelsang S.L.**  
vogelsang.es

### **Südkorea**

**Vogelsang Korea Co., Ltd.**  
vogelsang.co.kr

### **Tschechische Republik**

**Vogelsang CZ s.r.o.**  
vogelsang-czech.cz

### **USA**

**Vogelsang USA Ltd.**  
vogelsangusa.com