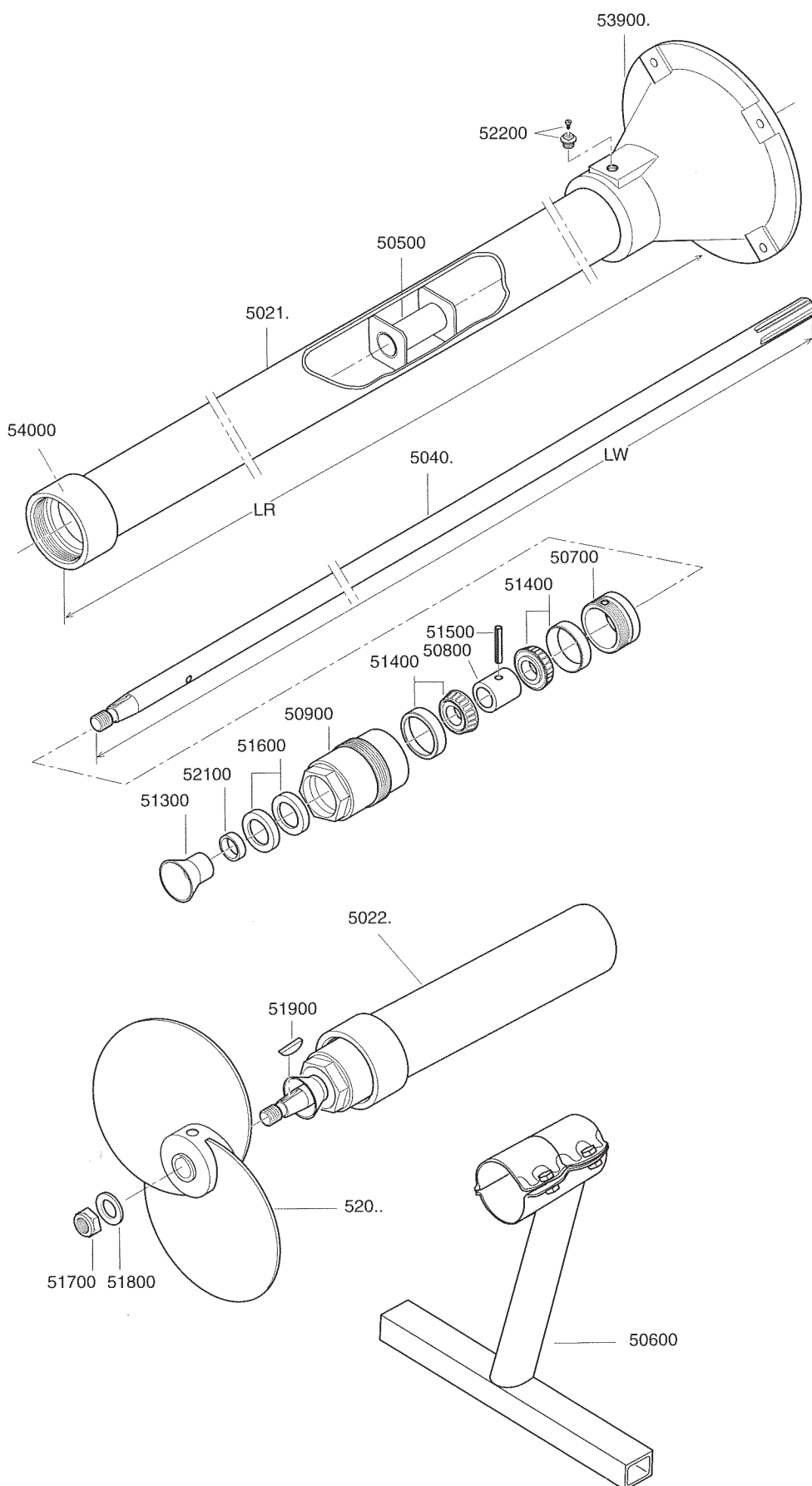


SPARE PARTS LIST FOR RECORDMIX - STANDARD VERSION -

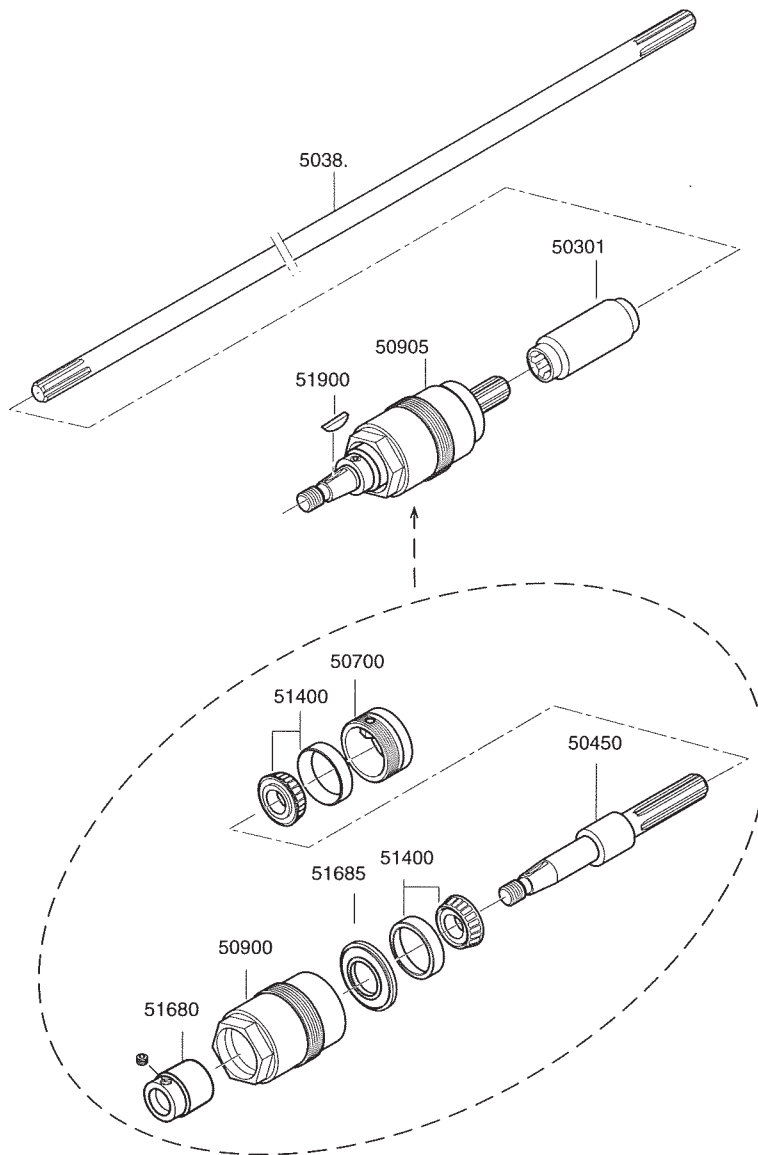


Configuration of standard version

- 50210 Agitator tube, empty, 3.25m
- 50211 Agitator tube, empty, 3.75m
- 50212 Agitator tube, empty, 4.25m
- 50220 Agitator tube assy., 3.25m
- 50222 Agitator tube assy., 3.75m
- 50224 Agitator tube assy., 4.25m
- 50400 Agitator shaft for 3.25m
- 50401 Agitator shaft for 3.75m
- 50402 Agitator shaft for 4.25m
- 50500 Intermediate bearing
- 50600 Support bracket assy.
- 50700 Threaded ring
- 50800 Spacer bush
- 50900 Bearing housing, empty
- 50901 Bearing housing assy. without shaft
- 51300 Collar
- 51400 Taper roller bearing 30204 (2 each)
- 51500 Locking pin
- 51600 Lip seal 25x40x7 (2 each)
- 51700 Locking nut M16
- 51800 Toothed lock washer
- 51900 Woodruff key
- 52010 Agitator propeller L1
- 52020 Agitator propeller L2
- 52030 Agitator propeller L3
- 52100 Wearing ring
- 52200 Plug with vent screw
- 53900 Tube flange (cast)

The agitator propeller must be matched to motor output and speed or the motor will be overloaded and may burn out.

SPARE PARTS LIST FOR RECORDMIX - SPECIAL VERSIONS -



Special version with mechanical seal

- 50380 Slip-on shaft, 3.25m
- 50381 Slip-on shaft, 3.75m
- 50382 Slip-on shaft, 4.25m
- 51680 SiC mechanical seal
- 51685 SiC stationary ring
- 50301 Shaft coupling
- 50450 Stainless steel agitator shaft end $\varnothing 20$
- 50700 Threaded ring
- 50900 Bearing housing, empty
- 50905 Bearing housing assy. GLD with stainless steel agitator shaft end
- 51400 Taper roller bearing 30204
- 51900 Woodruff key 6x9