



# Spare Parts List

Serial Number

**ExaCut ECQ30-40**

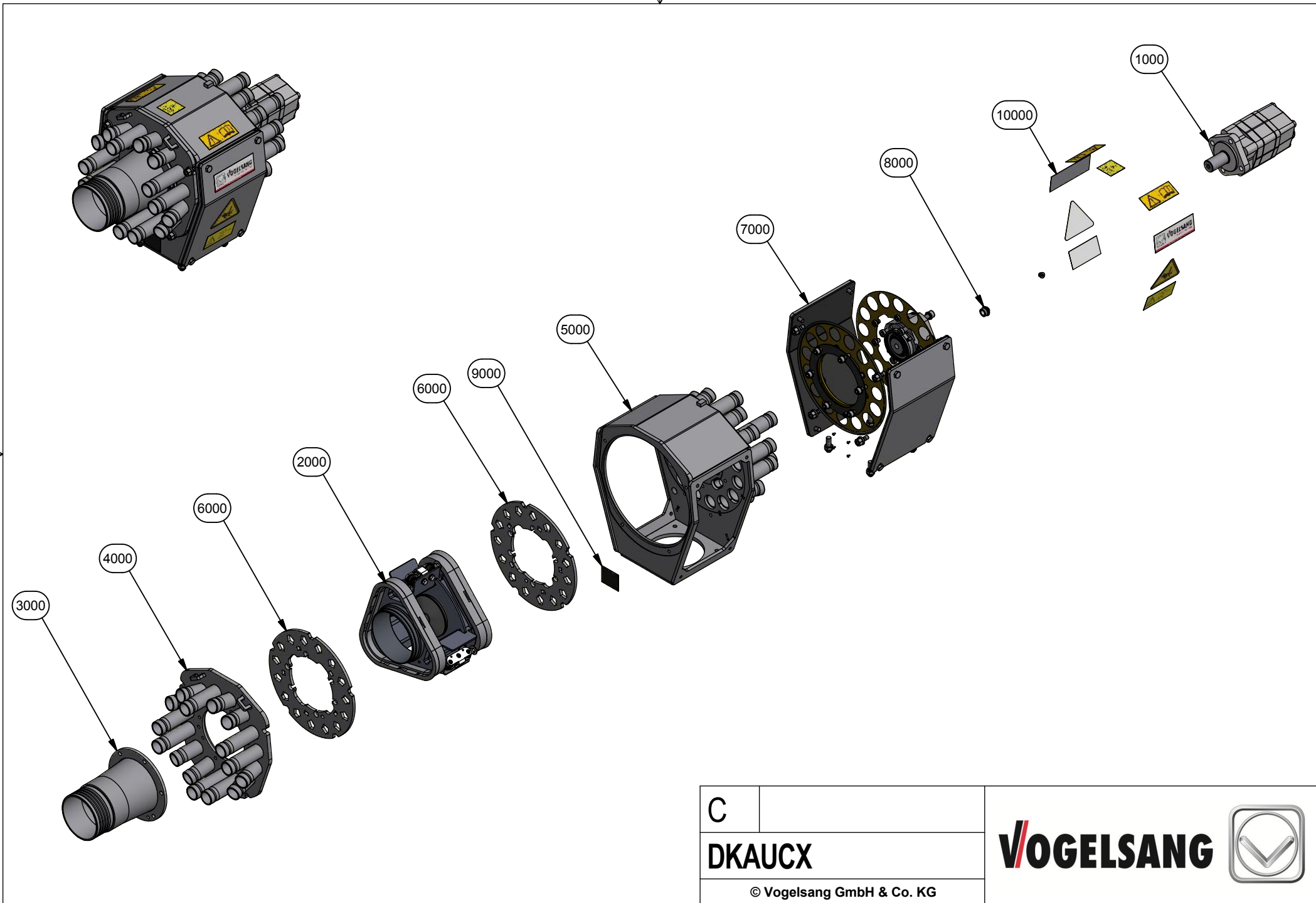
Machine Type

**DPK1176**

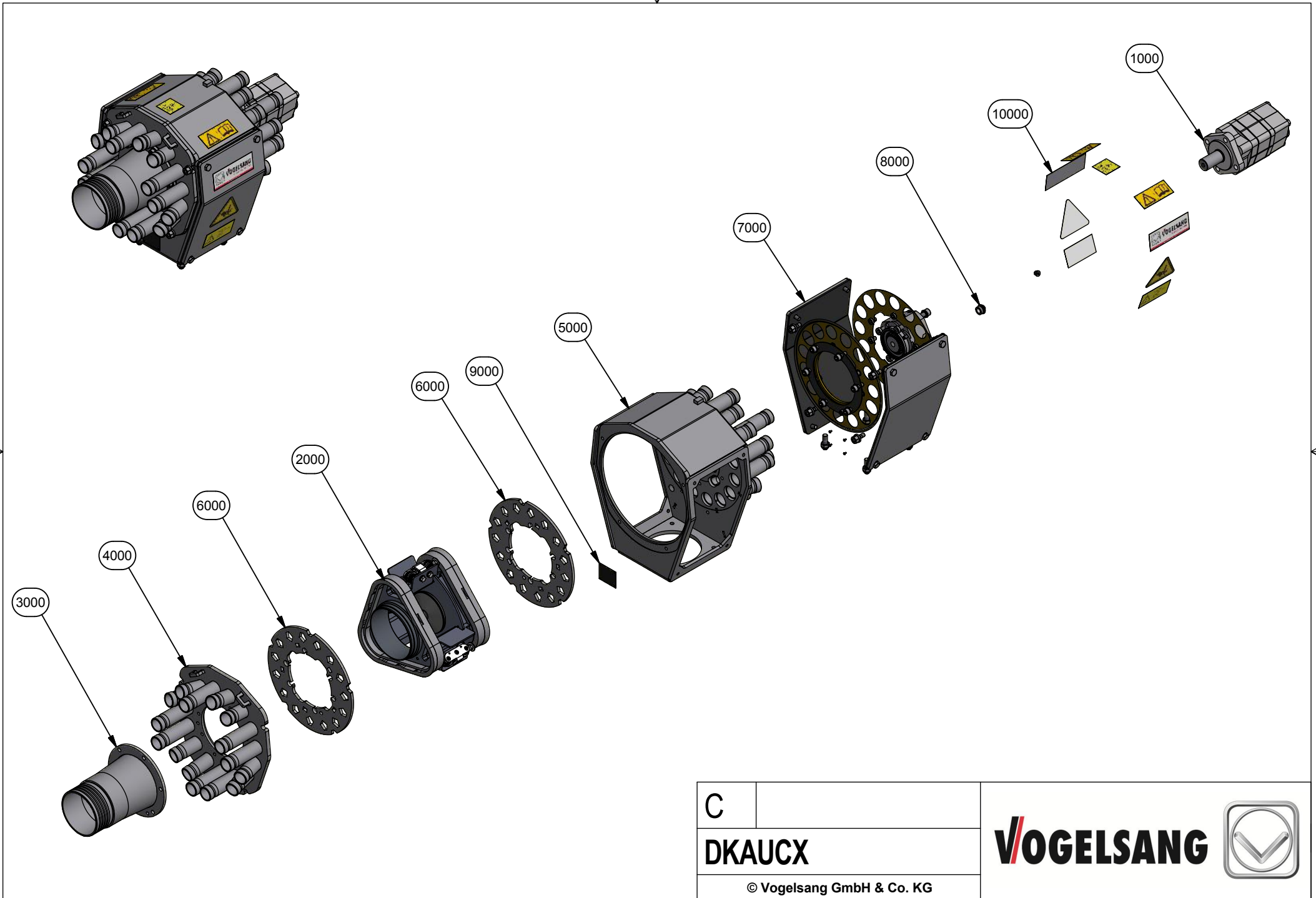
Part Number

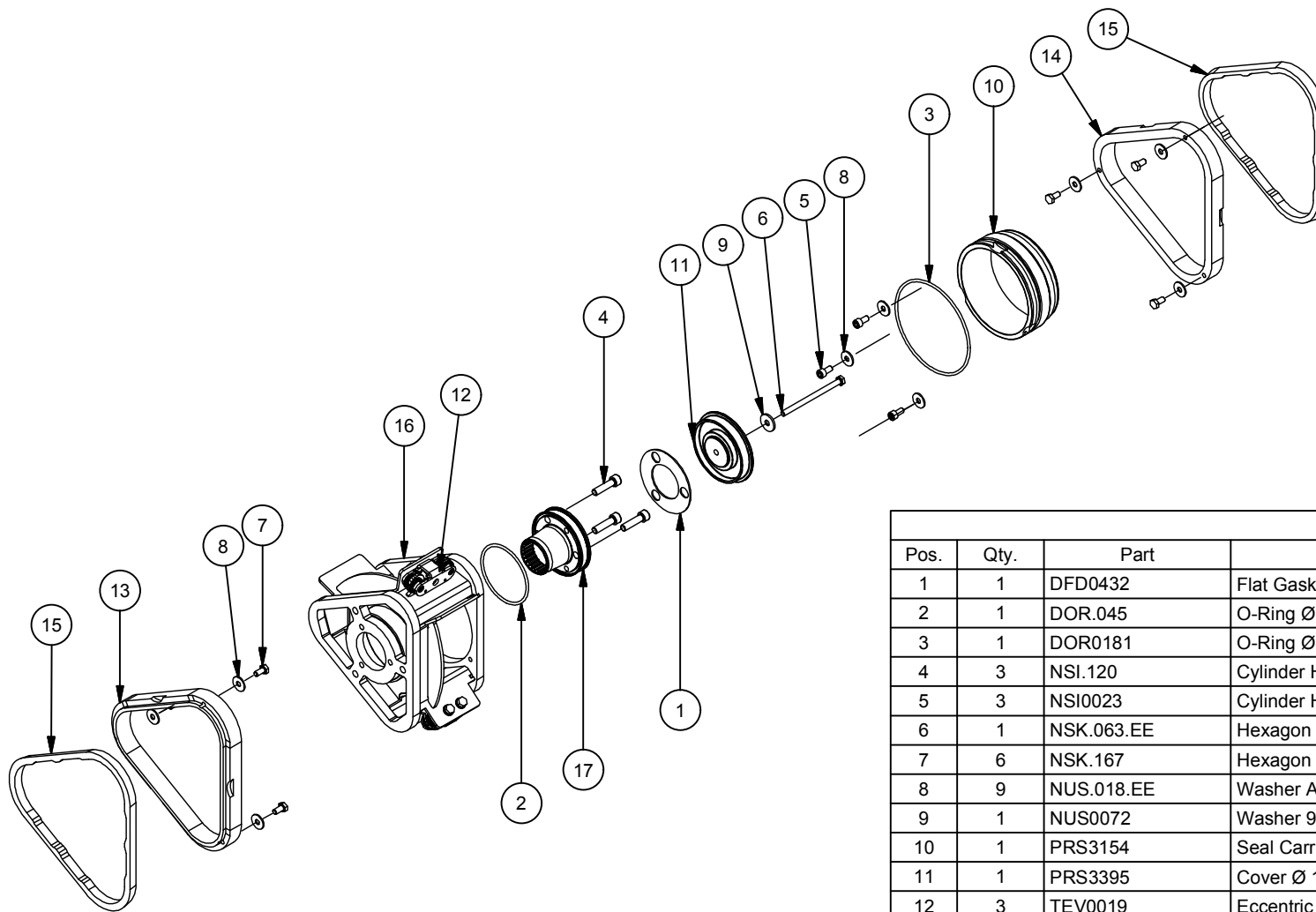
Customer

Order Number



Pos.	Denomination	Quantity	Part	Page
0	ExaCut ECQ30-40		DPK1176	4
1000	Hydraulic Motor Painted 250 cm <sup>3</sup> /U, 32,0 mm	1 St	AOM0070.TF	
2000	Rotor Preassembled ExaCut ECQ	1 St	GER0037	5
2000.12000	Eccentric Adjuster ExaCut ECQ	3 St	TEV0019	6
3000	Fill Unit ExaCut ECQ	1 St	TBE0002	
4000	Cover, Machined ExaCut ECQ30-40	1 St	TDE0063	
5000	Housing, Machined ExaCut ECQ30-40	1 St	TEG0054	
6000	Cutting Ring ExaCut ECQ30-40	2 St	TML0005	
7000	Installation Parts ExaCut ECQ30-40	1 St	TZL0097	7
7000.3000	Seal Kit ExaCut ECQ Shaft Diameter $\varnothing$ 50 mm	1 St	DDS0023	8
7000.3000.1000	Sealing part preassembled ExaCut ECQ Radial Shaft Seal	1 St	DDF0003	9
7000.3000.2000	Sealing part preassembled ExaCut ECQ Radial Shaft Seal	1 St	DDF0004	10
7000.3000.4000	Drive Shaft Set ExaCut ECQ Radial Shaft Seal Ring package	1 St	TZL0093	11
8000	Sensors kit ExaCut ECQ	1 St	TZS0001	12
9000	Name Plate 50 x 60 General	1 St	VAU0001	
10000	Sticker Set ExaCut	1 St	VAU0337	13





BOM			
Pos.	Qty.	Part	Description
1	1	DFD0432	Flat Gasket ExaCut Rotor
2	1	DOR.045	O-Ring Ø 92 mm x 4 mm
3	1	DOR0181	O-Ring Ø 150 mm x 4 mm
4	3	NSI.120	Cylinder Head Bolt M 10 x 40 mm, ISO 4762
5	3	NSI0023	Cylinder Head Bolt M 8 x 16 mm, ISO 4762
6	1	NSK.063.EE	Hexagon Head Bolt M 8 x 120 mm, DIN 931
7	6	NSK.167	Hexagon Head Bolt M 8 x 16 mm, DIN 933
8	9	NUS.018.EE	Washer A 8,4 mm x 24 mm x 2,0 mm
9	1	NUS0072	Washer 9,0 mm x 28 mm x 3,0 mm
10	1	PRS3154	Seal Carrier Ø 158 mm, 63 mm
11	1	PRS3395	Cover Ø 115 mm, 33 mm
12	3	TEV0019	Eccentric Adjuster ExaCut ECQ
13	1	TMH0034	Blade Holder, Machined ExaCut ECQ
14	1	TMH0035	Blade Holder, Machined ExaCut ECQ
15	2	TMS0089	Cutting Blade ExaCut ECQ
16	1	TRO0251	Rotor Processes ExaCut ECQ
17	1	TZL0087	Rotoradapter ExaCut ECQ 1.0503

Rotor Preassembled ExaCut  
ECQ

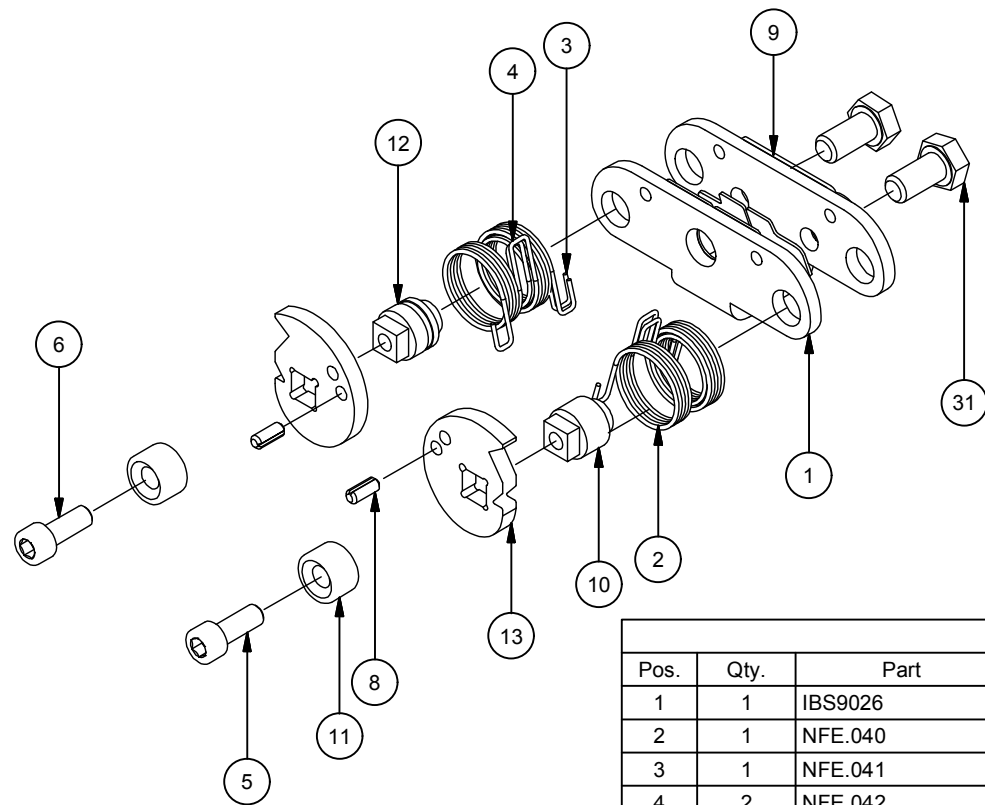
D

GER0037

© Vogelsang GmbH & Co. KG

**VOGELSANG**





BOM			
Pos.	Qty.	Part	Description
1	1	IBS9026	Support Bracket Stainless Steel
2	1	NFE.040	Torsion Spring 1,1 mm x 18,4 mm
3	1	NFE.041	Torsion Spring 1,1 mm x 18,4 mm
4	2	NFE.042	Double Torsion Spring 1,2 mm x 21,5 mm
5	1	NSI.057.E	Cylinder Head Bolt M 6 x 16 mm, ISO 4762
6	1	NSI0256	Cylinder Head Bolt M 6 LH x 16 mm, ISO 4762
31	2	NSK.167	Hexagon Head Bolt M 8 x 16 mm, DIN 933
8	2	NSP0039	Spring Pin 4 mm x 10 mm, ISO 8752
9	4	NUS.003.E	Washer A 8,4 mm x 16 mm x 1,6 mm
10	1	PRS3014	Shaft Ø 14,4 mm, 17 mm
11	2	PRS3015	Spacer Ø 14,4 mm, 9 mm
12	1	PRS3591	Shaft Ø 14,4 mm, 17 mm
13	2	TFL3929	Eccentric for Adjuster 5 mm 1.4034

Eccentric Adjuster ExaCut

ECQ

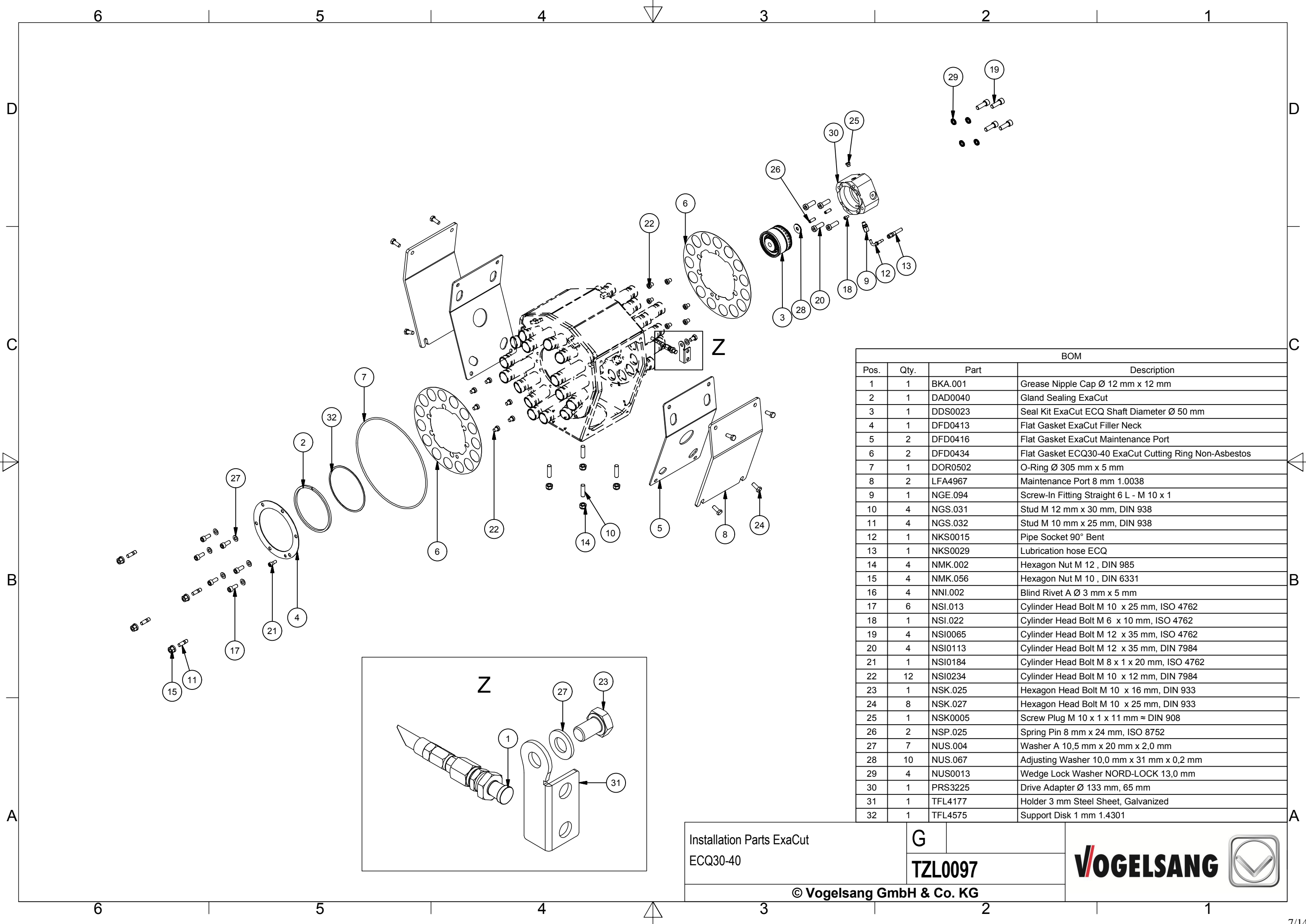
A

TEV0019

© Vogelsang GmbH & Co. KG

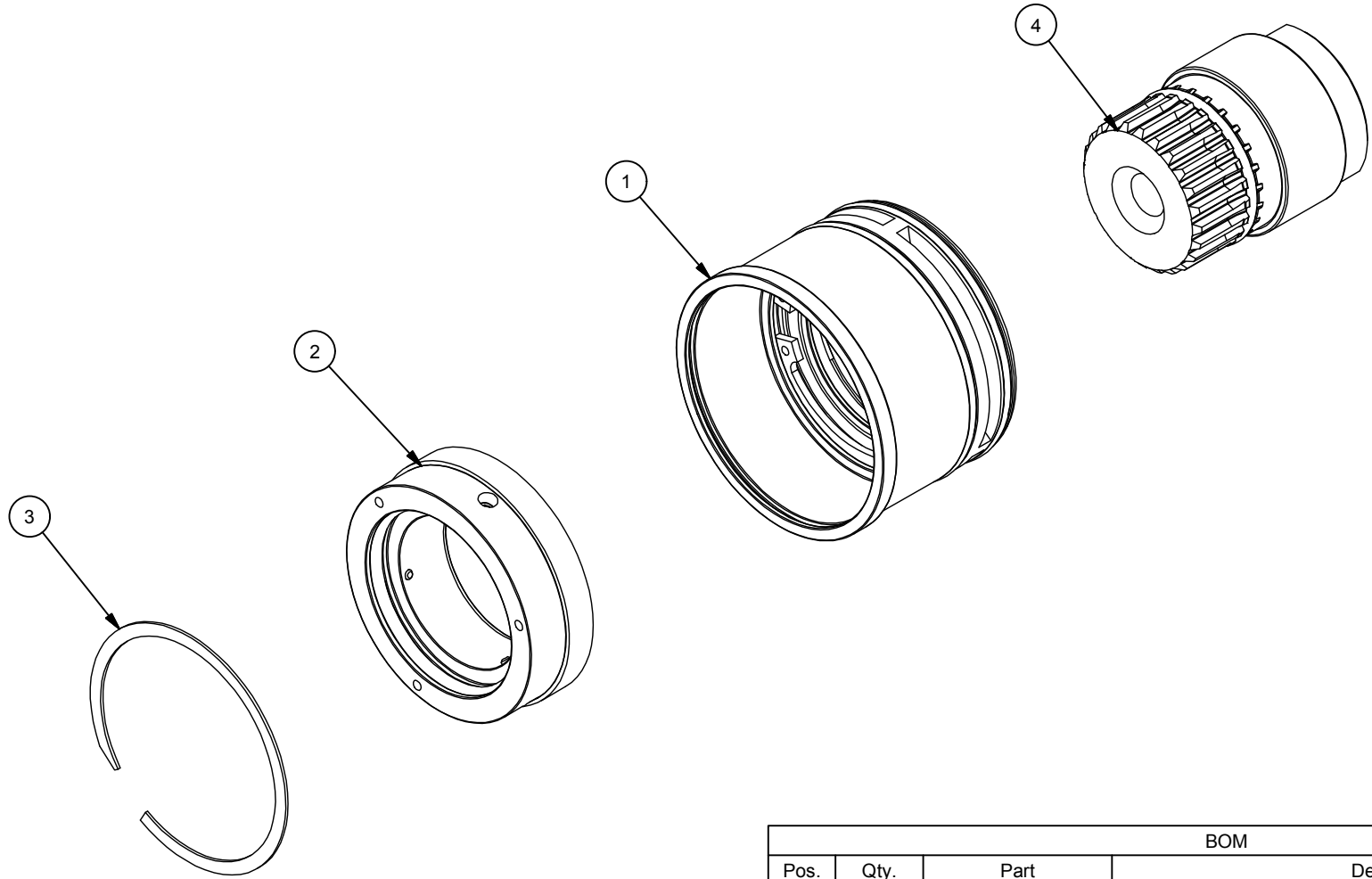
**VOGELSANG**





BOM			
Pos.	Qty.	Part	Description
1	1	BKA.001	Grease Nipple Cap Ø 12 mm x 12 mm
2	1	DAD0040	Gland Sealing ExaCut
3	1	DDS0023	Seal Kit ExaCut ECQ Shaft Diameter Ø 50 mm
4	1	DFD0413	Flat Gasket ExaCut Filler Neck
5	2	DFD0416	Flat Gasket ExaCut Maintenance Port
6	2	DFD0434	Flat Gasket ECQ30-40 ExaCut Cutting Ring Non-Asbestos
7	1	DOR0502	O-Ring Ø 305 mm x 5 mm
8	2	LFA4967	Maintenance Port 8 mm 1.0038
9	1	NGE.094	Screw-In Fitting Straight 6 L - M 10 x 1
10	4	NGS.031	Stud M 12 mm x 30 mm, DIN 938
11	4	NGS.032	Stud M 10 mm x 25 mm, DIN 938
12	1	NKS0015	Pipe Socket 90° Bent
13	1	NKS0029	Lubrication hose ECQ
14	4	NMK.002	Hexagon Nut M 12 , DIN 985
15	4	NMK.056	Hexagon Nut M 10 , DIN 6331
16	4	NNI.002	Blind Rivet A Ø 3 mm x 5 mm
17	6	NSI.013	Cylinder Head Bolt M 10 x 25 mm, ISO 4762
18	1	NSI.022	Cylinder Head Bolt M 6 x 10 mm, ISO 4762
19	4	NSI0065	Cylinder Head Bolt M 12 x 35 mm, ISO 4762
20	4	NSI0113	Cylinder Head Bolt M 12 x 35 mm, DIN 7984
21	1	NSI0184	Cylinder Head Bolt M 8 x 1 x 20 mm, ISO 4762
22	12	NSI0234	Cylinder Head Bolt M 10 x 12 mm, DIN 7984
23	1	NSK.025	Hexagon Head Bolt M 10 x 16 mm, DIN 933
24	8	NSK.027	Hexagon Head Bolt M 10 x 25 mm, DIN 933
25	1	NSP.0005	Screw Plug M 10 x 1 x 11 mm ≈ DIN 908
26	2	NSP.025	Spring Pin 8 mm x 24 mm, ISO 8752
27	7	NUS.004	Washer A 10,5 mm x 20 mm x 2,0 mm
28	10	NUS.067	Adjusting Washer 10,0 mm x 31 mm x 0,2 mm
29	4	NUS0013	Wedge Lock Washer NORD-LOCK 13,0 mm
30	1	PRS3225	Drive Adapter Ø 133 mm, 65 mm
31	1	TFL4177	Holder 3 mm Steel Sheet, Galvanized
32	1	TFL4575	Support Disk 1 mm 1.4301

Installation Parts ExaCut ECQ30-40	G	
	TZL0097	
© Vogelsang GmbH & Co. KG		



BOM			
Pos.	Qty.	Part	Description
1	1	DDF0003	Sealing part preassembled ExaCut ECQ Radial Shaft Seal
2	1	DDF0004	Sealing part preassembled ExaCut ECQ Radial Shaft Seal
3	1	NSR0085	Multi-Disk Ring Ø 80 mm x 4,3 mm x 0,98 mm
4	1	TZL0093	Drive Shaft Set ExaCut ECQ Radial Shaft Seal Ring package

Seal Kit ExaCut ECQ  
 Shaft Diameter Ø 50 mm

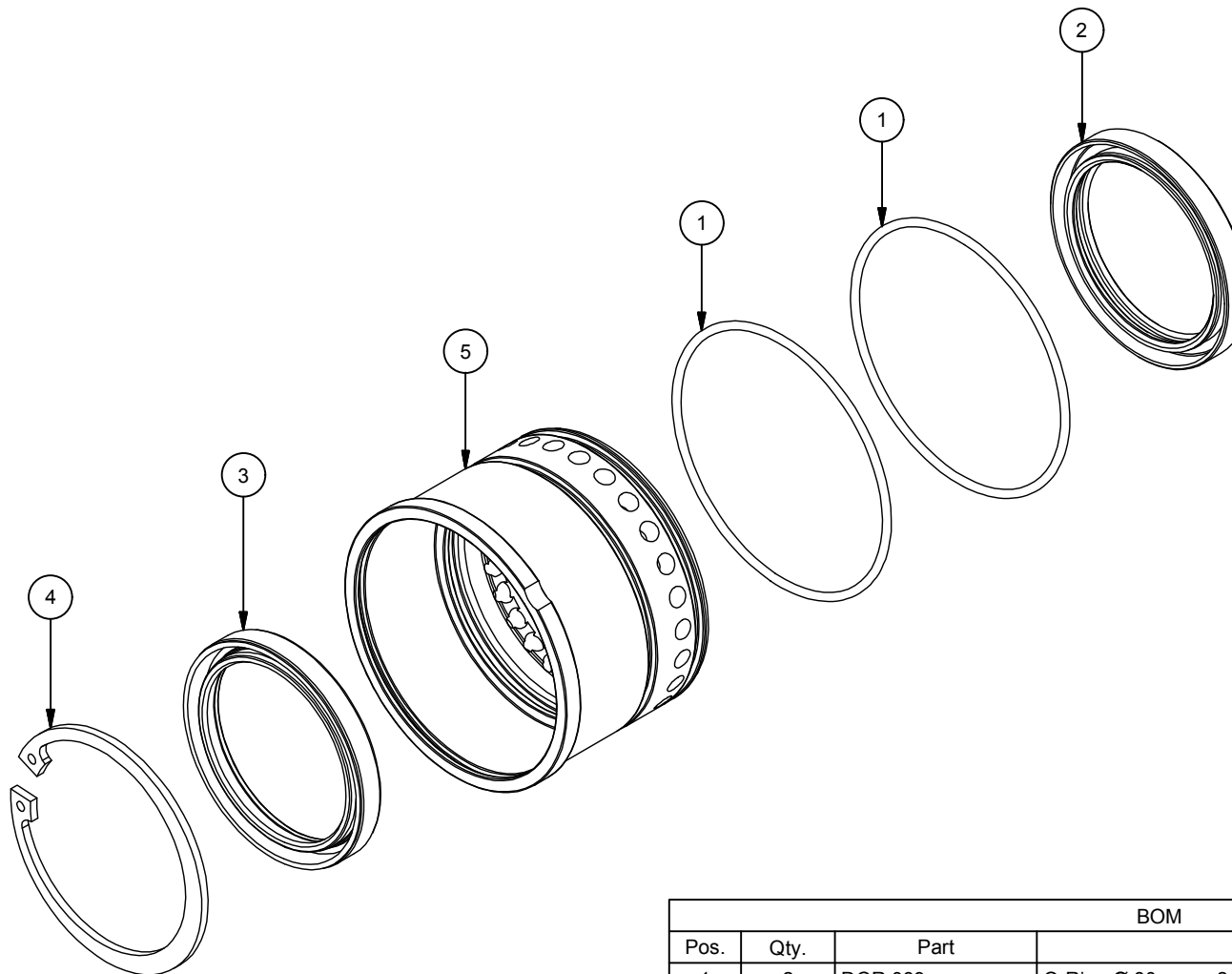
A  
**DDS0023**

© Vogelsang GmbH & Co. KG

**VOGELSANG**







BOM			
Pos.	Qty.	Part	Description
1	2	DOR.039	O-Ring Ø 80 mm x 2,5 mm
2	1	DWD.015	Radial Shaft Seal Ring AS 55 mm x 70 mm x 8 mm DIN 3760
3	1	DWD0051	Radial Shaft Seal Ring A 55 mm x 70 mm x 8 mm DIN 3760
4	1	NSR.025	Retaining Ring Ø 72 mm x 2,5 mm
5	1	PRS3549	Seal Carrier Ø 87 mm, 58 mm

Sealing part preassembled  
ExaCut ECQ Radial Shaft Seal

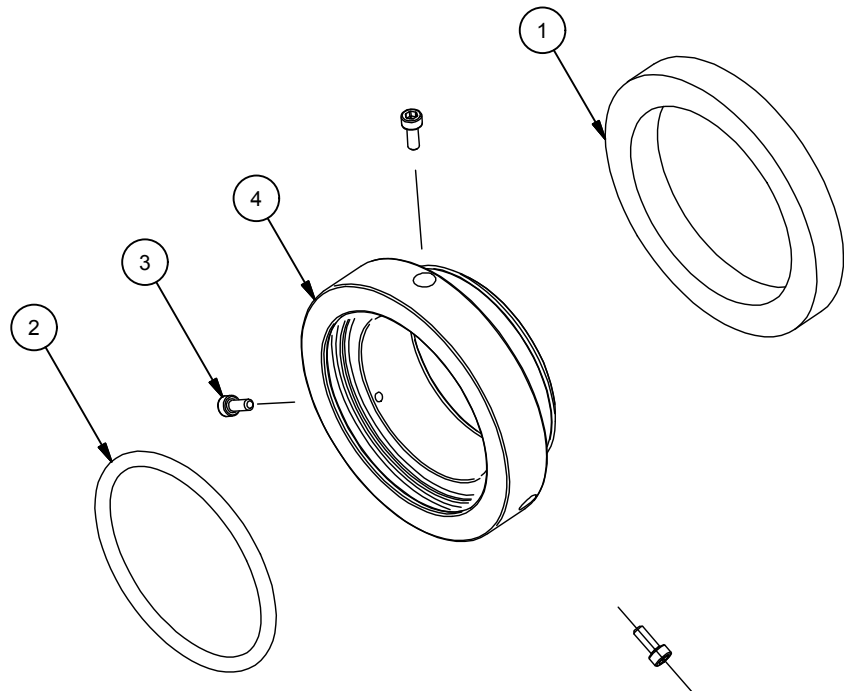
B

DDF0003

© Vogelsang GmbH & Co. KG

**VOGELSANG**





BOM			
Pos.	Qty.	Part	Description
1	1	DFD0436	Sealing Ring 80 mm x 10 mm x 10 mm MH24-30 Lubricated under
2	1	DOR.084	O-Ring Ø 58 mm x 4 mm
3	3	NSI0224	Cylinder Head Bolt M 3 x 8 mm, ISO 4762
4	1	PRS3550	Seal Carrier Ø 77,5 mm, 29 mm

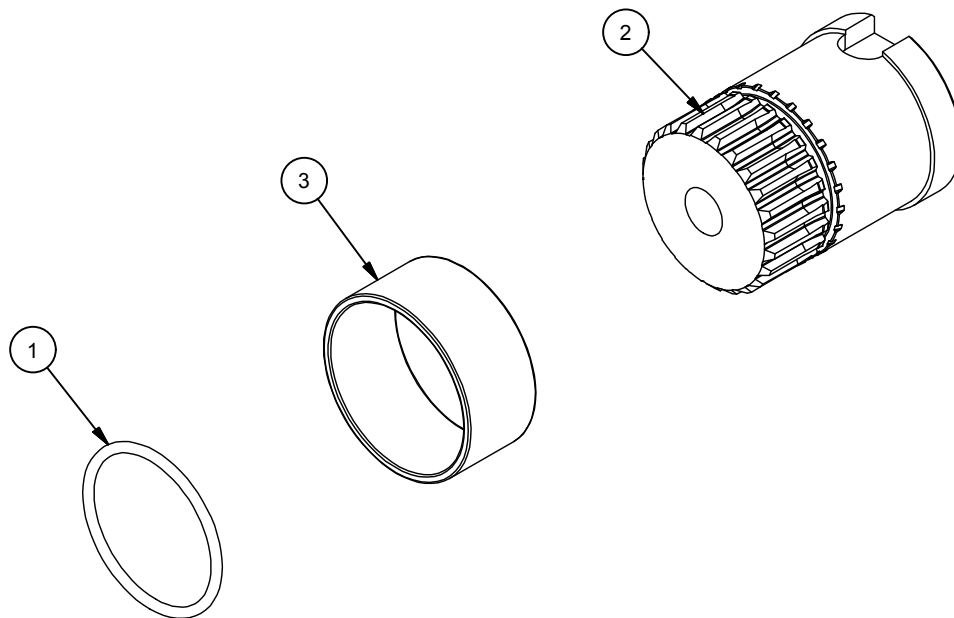
Sealing part preassembled  
 ExaCut ECQ Radial Shaft Seal

**B**

**DDF0004**

© Vogelsang GmbH & Co. KG





BOM			
Pos.	Qty.	Part	Description
1	1	DOR.072	O-Ring Ø 45 mm x 3 mm
2	1	GRS0884	Adapter Shaft ExaCut 1.0503
3	1	NIR.006	Inner Ring Ø 50 mm x Ø 55 mm x 25 mm

Drive Shaft Set ExaCut ECQ  
Radial Shaft Seal Ring package

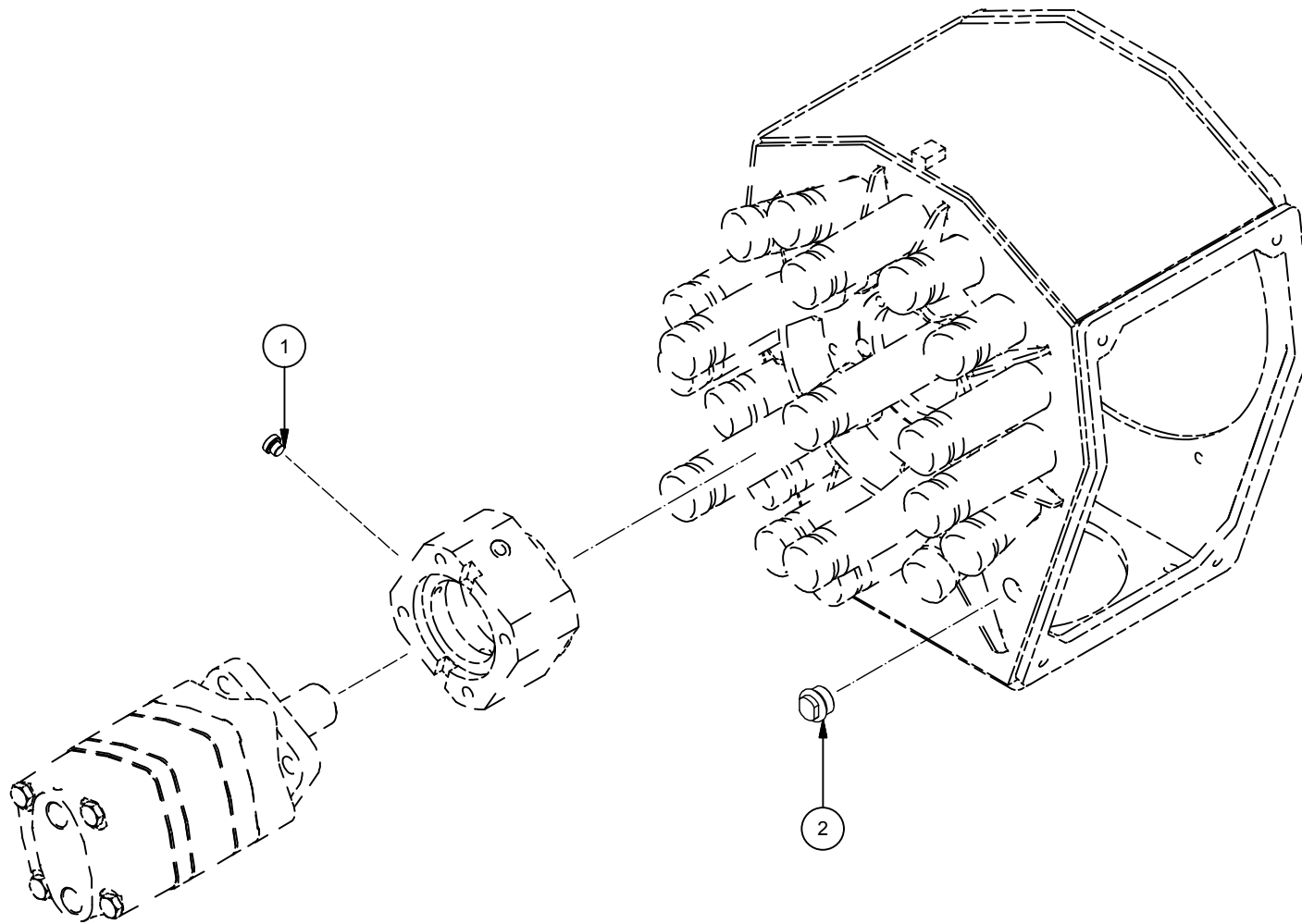
A

**TZL0093**

© Vogelsang GmbH & Co. KG

**VOGELSANG**





BOM			
Pos.	Qty.	Part	Description
1	1	NSK0005	Screw Plug M 10 x 1 x 11 mm ≈ DIN 908
2	1	NSK0059	Screw Plug G 1/2 inch x 10 mm

Sensors kit ExaCut  
ECQ

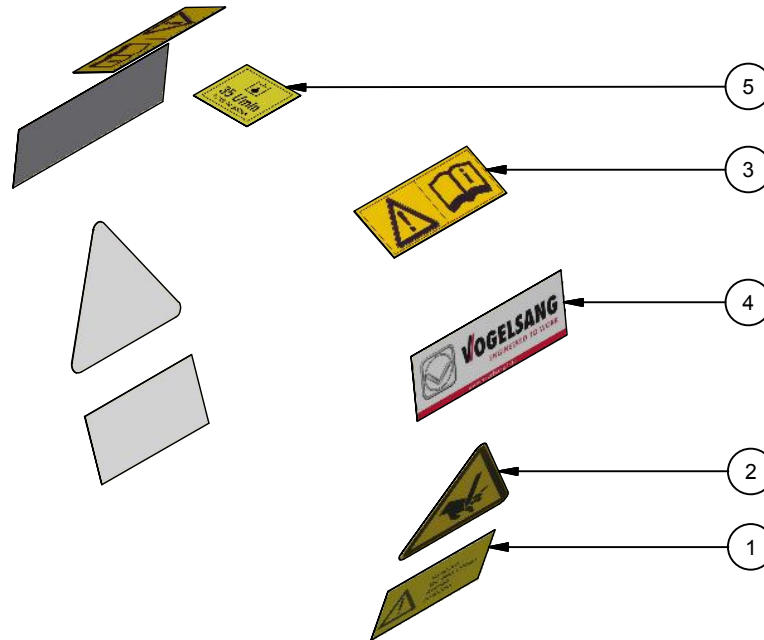
A

**TZS0001**

© Vogelsang GmbH & Co. KG

**VOGELSANG**





BOM			
Pos.	Qty.	Part	Description
1	2	VAU.013.00	Label Turn off Drive
2	2	VAU.014	Label Caution: Risk of Hand Injuries , , 100 mm x 113 mm,
3	2	VAU.133	Label Operating Instructions ,
4	2	VAU0046	Label Vogelsang Logo ,
5	1	VAU0398	Label Permitted Volume Flow Hydraulic: 35 l/min Yellow

Sticker Set ExaCut	B	
	<b>VAU0337</b>	
© Vogelsang GmbH & Co. KG		

**Vogelsang GmbH & Co. KG**

Holthöge 10-14, 49632 Essen/Oldb., GERMANY

Phone: +49 (0) 5434 83 83 83  
+49 (0) 5434 83 99 99

Fax: +49 (0) 5434 83 10

**service@vogelsang.info**

www.vogelsang.info

**Vogelsang Lutherstadt Eisleben**

Gewerbegebiet Rothenschirmbach Nr. 8, 06295 Lutherstadt Eisleben, GERMANY

Phone: +49 (0) 34776 91 92 14

Fax: +49 (0) 34776 91 92 60

**ENGINEERED TO WORK****Australia****Vogelsang Pty. Ltd.**

vogelsang.com.au

**Denmark****Vogelsang A/S**

vogelsang-as.dk

**Italy****Vogelsang Italy Srl**

vogelsang-srl.it

**Russia****Vogelsang Russland**

vogelsang.ru

**USA****Vogelsang USA Ltd.**

vogelsangusa.com

**Austria****Vogelsang Austria GmbH**

vogelsang-austria.at

**Finland****Vogelsang Oy**

vogelsang.fi

**Malaysia****Vogelsang Malaysia**

vogelsang.info

**South Korea****Vogelsang Korea Co., Ltd.**

vogelsang.co.kr

**Brasil****Vogelsang Brasil Ltda.**

vogelsang.com.br

**France****Vogelsang France S.A.R.L.**

vogelsang.fr

**Mexico****Vogelsang De México****S.de R.L. de CV**

vogelsang.mx

**Spain****Vogelsang S.L.**

vogelsang.es

**China****Vogelsang Mechanical  
Engineering (Shanghai) Co., Ltd.**

vogelsang.com.cn

**India****Vogelsang India Private Limited**

vogelsangindia.com

**Poland****Vogelsang Poland Sp. z o.o.**

vogelsang.pl

**Sweden****Vogelsang Sverige AB**

vogelsang.se

**Czech Republic****Vogelsang CZ s.r.o.**

vogelsang-czech.cz

**Ireland****Vogelsang Irland**

vogelsang.ie

**Romania****Vogelsang Romania SRL**

vogelsang.ro

**United Kingdom****Vogelsang Ltd.**

vogelsang.co.uk

We reserve the right to make technical modifications to the diagrams and information presented in this document in the event that such modifications become necessary for the enhancement of the machine.

© 2017 Vogelsang GmbH &amp; Co. KG