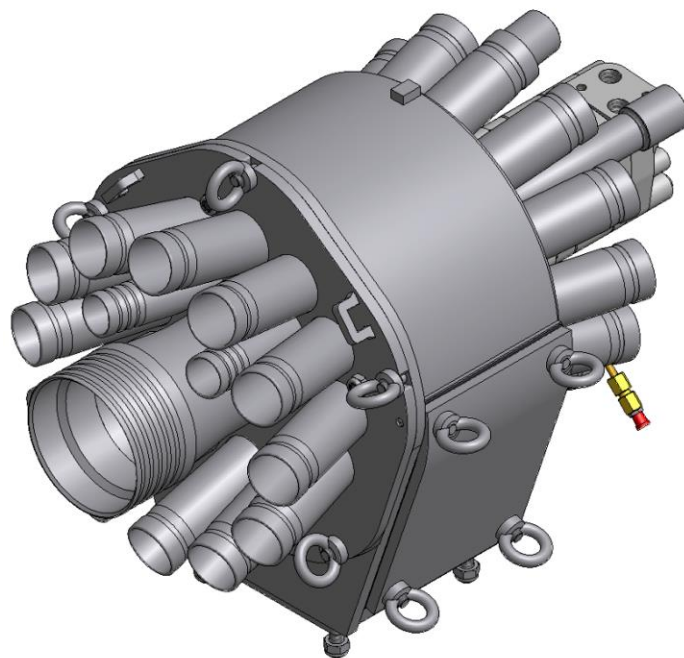




# Spare Parts List

ExaCut  
ECL24-50

ENGINEERED TO WORK



**Spare parts list valid from delivery 2012-12-03**

**Issuer**

Hugo Vogelsang Maschinenbau GmbH  
Holthöge 10-14  
49632 Essen/Oldb.

Phone: +49 54 34 83 0  
Fax: +49 54 34 83 10

vogelsang-gmbh.com  
info@vogelsang-gmbh.com

In the absence of express, written authorisation from the issuer, the reproduction or partial reproduction of this document in any form is prohibited.

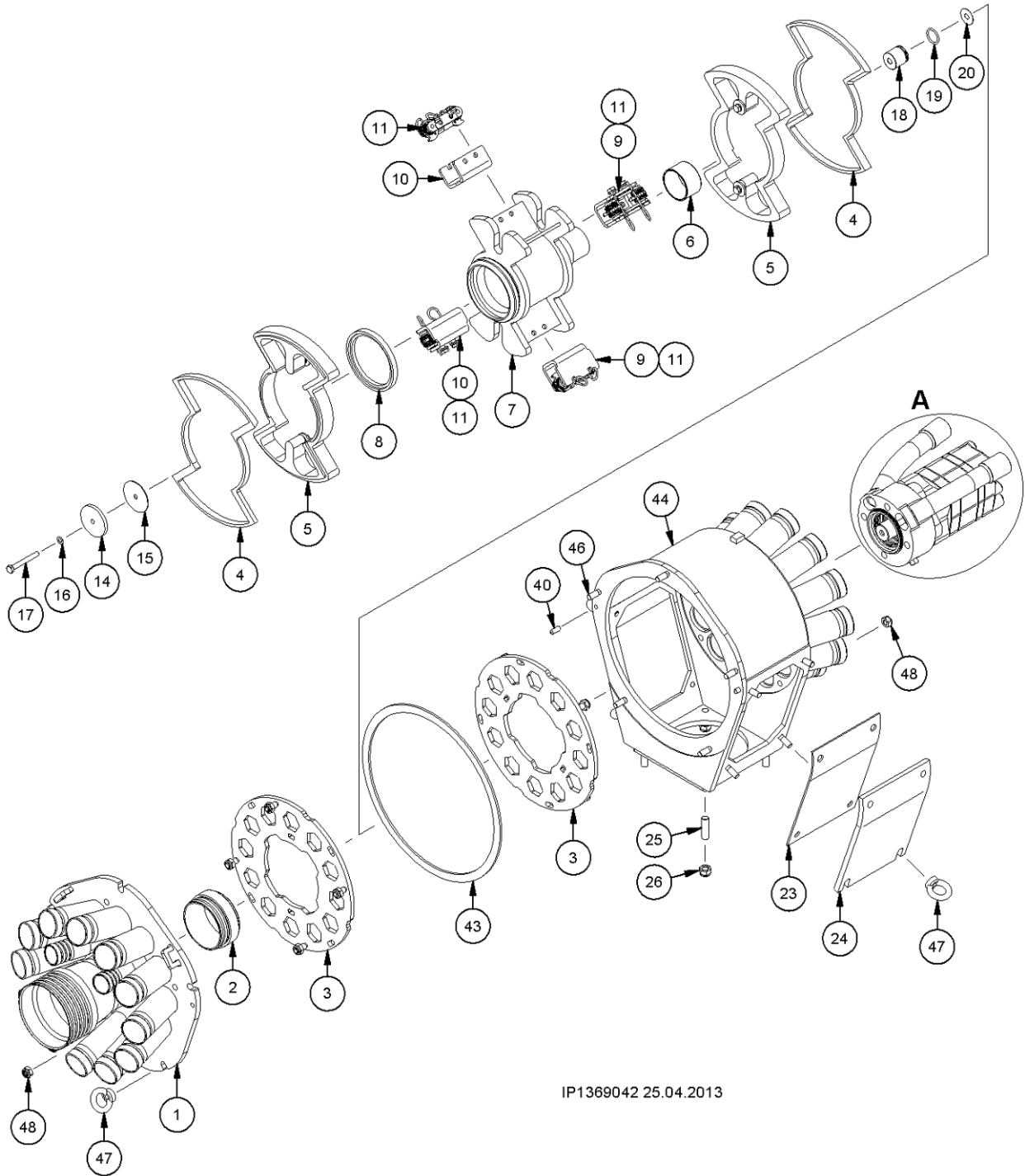
We reserve the right to make technical modifications to the diagrams and information presented in this document in the event that such modifications become necessary for the enhancement of the machine.

© 2013 Hugo Vogelsang Maschinenbau GmbH

**Registered trademarks of Vogelsang**

Vogelsang, Vogelsang Logo, RotaCut, HiFlo, ACC, CFC, BioCrack, XTill and EnergyJet are registered trademarks of Hugo Vogelsang Maschinenbau GmbH.

The registered trademarks are not always designated with a ® symbol in this document.



IP1369042 25.04.2013

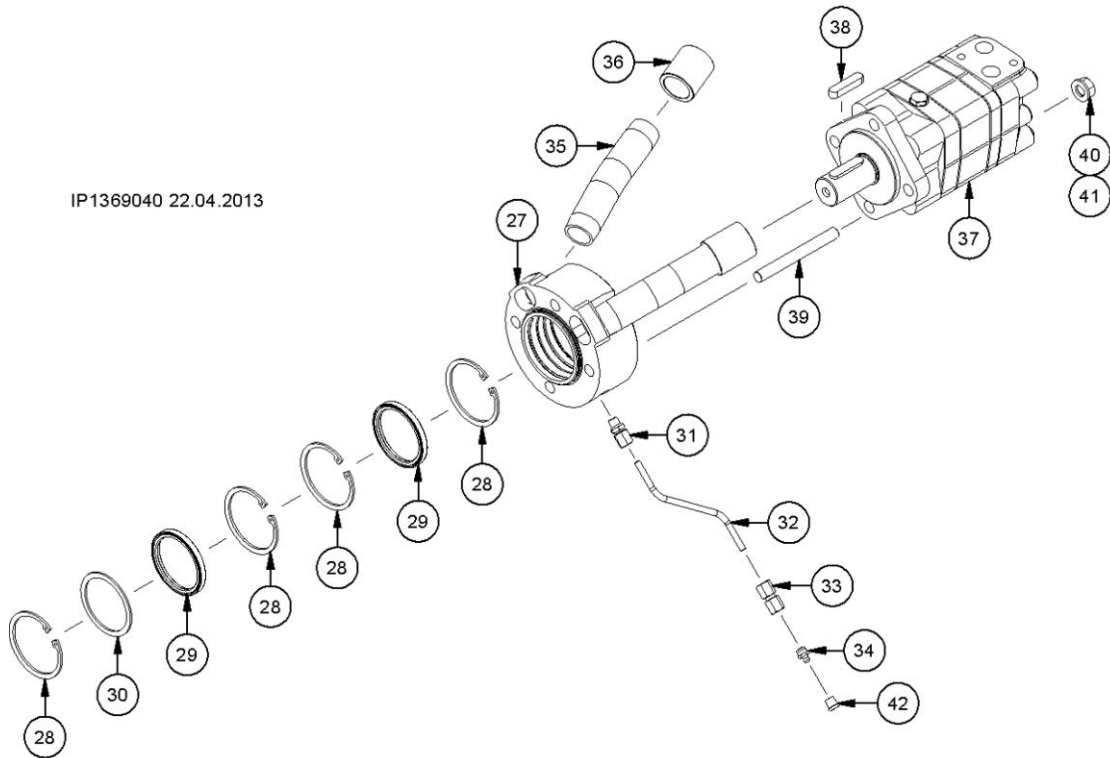
ECL24-50

| Pos.                                 | Part number   | Description             | Dimension       | Notes                        |  | Qty    |
|--------------------------------------|---------------|-------------------------|-----------------|------------------------------|--|--------|
| 1                                    | TDE.803       | Cover                   |                 |                              |  | 1      |
| 2                                    | GRS.083       | Sleeve packing          |                 |                              |  | 1      |
| 3                                    | TFL.815       | Cutting ring            |                 | Large openings<br>(Standard) |  | 2      |
|                                      | TFL.816       | Cutting ring            |                 | Small openings               |  |        |
|                                      | TFL.817       | Cutting ring            |                 | Extra large openings         |  |        |
| <b>High spreading capacity – 90°</b> |               |                         |                 |                              |  |        |
| 4-10                                 | GER0001       | Rotor                   | 90°             | High spreading<br>capacity   |  | (1)    |
| 4                                    | TMS0002       | Blade ring              | 90°             |                              |  | 2      |
| 5                                    | TMH0003       | Blade holder            | 90°             |                              |  | 2      |
| 6                                    | NIR.023       | Inner ring              | JR 55 x 60 x 35 |                              |  | 1      |
| 7                                    | TRO.708       | Rotor                   | 90°             | High spreading<br>capacity   |  | 1      |
| 8                                    | DFD.116       | Ring gasket; foam PU    |                 | Grease impregnated           |  | 1      |
| 9                                    | TFL.677       | Channel                 |                 | Long                         |  | 2      |
| 10                                   | TFL.676       | Channel                 |                 | Short                        |  | 2      |
| <b>Low spreading capacity – 45°</b>  |               |                         |                 |                              |  |        |
| 4-10                                 | GER0004       | Rotor                   | 45°             | Low spreading capacity       |  | (1)    |
| 4                                    | TMS0004       | Blade ring              | 45°             |                              |  | 2      |
| 5                                    | TMH0006       | Blade holder            | 45°             |                              |  | 2      |
| 6                                    | NIR.023       | Inner ring              | JR 55 x 60 x 35 |                              |  | 1      |
| 7                                    | TRO.711       | Rotor                   | 45°             | Low spreading capacity       |  | 1      |
| 8                                    | DFD.116       | Foam-PU ring gasket     |                 | Grease impregnated           |  | 1      |
| 9/10                                 | TFL.677       | Channel                 |                 | Long                         |  | 4      |
| 11                                   | TEV.005.N1.T1 | Eccentric adjuster      | 75 %            |                              |  | 4      |
|                                      | TEV.005.N1.T4 | Eccentric adjuster      | 50 %            |                              |  |        |
|                                      | TEV.005.N1.T3 | Eccentric adjuster      | 130 %           |                              |  |        |
|                                      | TEV.005.N1    | Eccentric adjuster      | 100 %           |                              |  |        |
|                                      | TEV.005.N1.T2 | Eccentric adjuster      | 100 %           | 1.4571                       |  |        |
| 14                                   | DFD.115       | Gasket ABIL             | 60 x 8 x 1,5    | Oil impregnated              |  | 1      |
| 15                                   | NUS.001       | Washer                  | 8.5 x 60 x 6    |                              |  | 1      |
| 16                                   | DKR.009       | Copper ring             | A 14 x 8 x 1    |                              |  | 1      |
| 17                                   | NSK.060.EE    | Hexagon head screw      | M8 x 65         |                              |  | 1      |
| 18                                   | TRS.011       | Bushing                 |                 | Rotor                        |  | 1      |
| 19                                   | DOR.021       | O-Ring                  | 24 x 3          | NBR                          |  | 1      |
| 20                                   | NUS.067       | Shim                    | 10 x 31 x 0.2   |                              |  | Option |
| 23                                   | DFD.356       | Gasket maintenance port |                 |                              |  | 2      |
| 24                                   | TFL.504.N1    | Maintenance port        |                 |                              |  | 2      |
| 25                                   | NGS.031       | Stud                    | M12 x 30        |                              |  | 4      |
| 26                                   | NMK.002       | Hexagon nut             | M12             | Self-locking                 |  | 4      |

Continuation see next page




Detail A

IP1369040 22.04.2013



| Pos. | Part number | Description                           | Dimension       | Notes               | Qty |
|------|-------------|---------------------------------------|-----------------|---------------------|-----|
|      | TAS.015     | Adaptor for hydraulic motor; complete |                 |                     | 1   |
| 27   | TRS0016     | Adaptor for hydraulic motor           |                 |                     | (1) |
| 28   | NSR.025     | Retaining ring                        | 72 x 2.5        |                     | (4) |
| 29   | DWD.050     | Radial shaft seal ring                | 60 x 72 x 7     |                     | (2) |
| 30   | NUS.060     | Washer                                | 71.8 x 65 x 2   |                     | (1) |
| 31   | NGE.094     | Screw connection                      | AL6; M10 x 1    |                     | (1) |
| 32   | NKS.012     | Grease pipe                           |                 |                     | 1   |
| 33   | NGE.093     | Screw connection                      | GAIL; M10 x 1   |                     | 1   |
| 34   | NKS.001     | Grease pipe                           |                 |                     | 1   |
| 35   | TEE.110     | Pipe nipple                           | 1" x 150        |                     | 2   |
| 36   | HRS.163     | Tube coupling                         | 1"              | Inside thread       | 2   |
| 37   | AOM.018     | Hydraulic motor                       | OMS 250         |                     | 1   |
|      | DDS.003     | Sealing set for hydraulic motor       | OMS; NBR        | Included in AOM.018 | (1) |
| 38   | NPF.053     | Fitting key                           | A 10 x 8 x 45   | Included in AOM.018 | (1) |
| 39   | NGS.049     | Stud                                  | M12 x 90        | DIN 938             | 4   |
| 40   | NUS.005     | Washer                                | A 13 x 24 x 2.5 |                     | 4   |
| 41   | NMS.004     | Hexagon nut                           | M12             |                     | 4   |

Continuation see next page

| Pos. | Part number | Description       | Dimension   | Notes            | Qty   |
|------|-------------|-------------------|---|------------------|-------|
| 42   | BKA.001     | Grease nipple cap |   |                  | 1     |
| 43   | TFD.021     | Foam rubber       | 15 x 4 mm   |                  | 1.1 m |
| 44   | TEG.801     | Housing           |   |                  | 1     |
|      | TEG0015     | Housing           |   | Inlet on the top |       |
| 45   | NSZ.005     | Cylinder pin      | 8 x 18  | DIN 7            | 2     |
| 46   | NGS.032     | Stud              | M10 x 25  | DIN 938          | 13    |
| 47   | NMK.020     | Ring nut          | M10   |                  | 13    |
| 48   | NMK.001     | Hexagon nut       | M10   | DIN 985          | 12    |
|      | VAU.133     | Sticker           |   |                  | 1     |
|      | VAU.014     | Sticker           |    |                  | 2     |
|      | VAU.013.EN  | Sticker           |  |                  | 2     |

**VOGELSANG**



**Hugo Vogelsang Maschinenbau GmbH**

Holthöge 10-14  
49632 Essen/Oldb.

Phone: +49 (0) 54 34 83 0  
Fax: +49 (0) 54 34 83 10

vogelsang-gmbh.com  
info@vogelsang-gmbh.com

**ENGINEERED TO WORK**

**Australien**  
**Vogelsang Pty. Ltd.**  
vogelsang.com.au

**Indien**  
**Vogelsang India Private Limited**  
vogelsangindia.com

**Russland**  
**Vogelsang Russland**  
vogelsang.ru

**Brasilien**  
**Vogelsang Brasil Ltda.**  
vogelsang.com.br

**Irland**  
**Vogelsang Irland**  
vogelsang.ie

**Schweden**  
**Vogelsang Sverige AB**  
vogelsang.se

**China**  
**Vogelsang Mechanical Engineering (Shanghai) Co., Ltd.**  
vogelsang.com.cn

**Italien**  
**Vogelsang Italy Srl**  
vogelsang-srl.it

**Spanien**  
**Vogelsang S.L.**  
vogelsang.es

**Dänemark**  
**Vogelsang A/S**  
vogelsang-as.dk

**Malaysia**  
**Vogelsang Malaysia**  
vogelsang.info

**Südkorea**  
**Vogelsang Korea Co., Ltd.**  
vogelsang.co.kr

**Deutschland - Niederlassung Ost**  
**Vogelsang Lutherstadt Eisleben**  
vogelsang-gmbh.com

**Mexico**  
**Vogelsang De México S.de R.L. de CV**  
vogelsang.mx

**Tschechische Republik**  
**Vogelsang CZ s.r.o.**  
vogelsang-czech.cz

**Finnland**  
**Vogelsang Oy**  
vogelsang.fi

**Polen**  
**Vogelsang Poland Sp. z o.o.**  
vogelsang.pl

**USA**  
**Vogelsang USA Ltd.**  
vogelsangusa.com

**Frankreich**  
**Vogelsang France S.A.R.L.**  
vogelsang.fr

**Österreich**  
**Vogelsang Austria GmbH**  
vogelsang-austria.at

**Großbritannien**  
**Vogelsang Ltd.**  
vogelsang.co.uk

**Rumänien**  
**Vogelsang Romania SRL**  
vogelsang.ro