

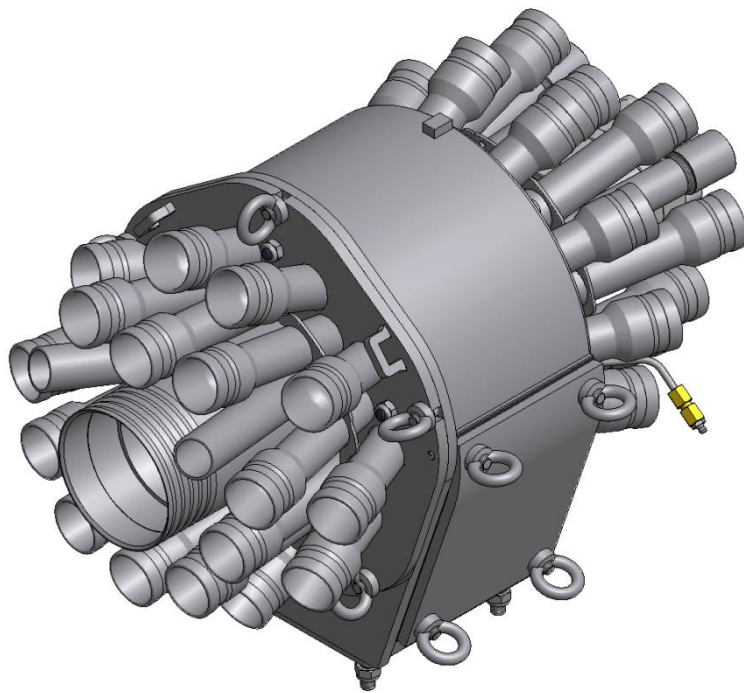


Spare Parts List

ExaCut

ECL30-4050

ENGINEERED TO WORK



Spare parts list applies to orders from 2012-03-05 onwards

Issuer

Hugo Vogelsang Maschinenbau GmbH
Holthöge 10-14
49632 Essen/Oldb.

Phone: +49 54 34 83 0
Fax: +49 54 34 83 10

vogelsang-gmbh.com
info@vogelsang-gmbh.com

In the absence of express, written authorisation from the issuer, the reproduction or partial reproduction of this document in any form is prohibited.

We reserve the right to make technical modifications to the diagrams and information presented in this document in the event that such modifications become necessary for the enhancement of the machine.

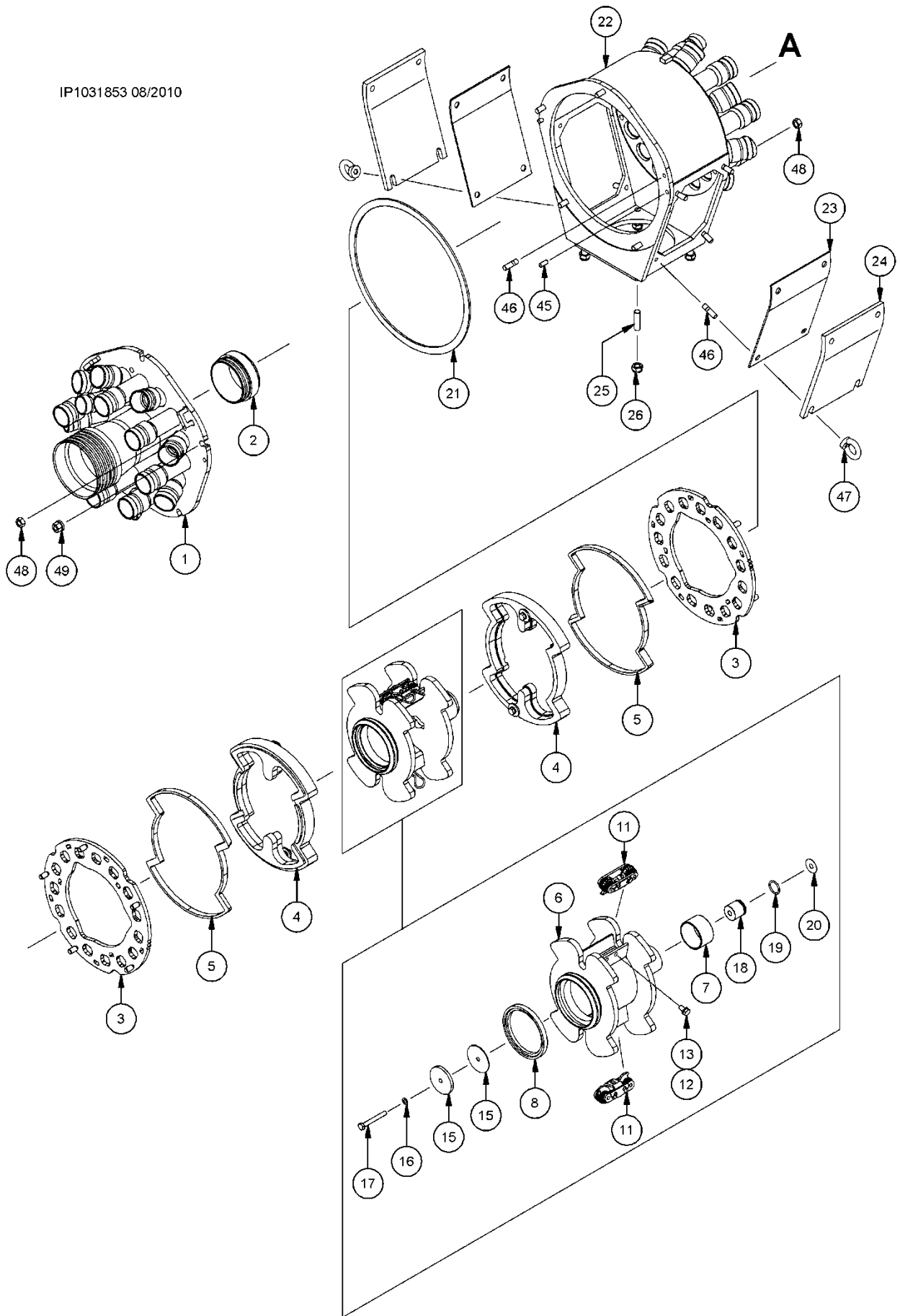
© 2013 Hugo Vogelsang Maschinenbau GmbH

Registered trademarks of Vogelsang

Vogelsang, Vogelsang Logo, RotaCut, HiFlo, ACC, CFC, BioCrack, XTill and EnergyJet are registered trademarks of Hugo Vogelsang Maschinenbau GmbH.

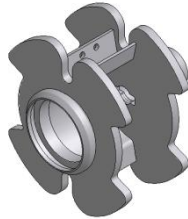
The registered trademarks are not always designated with a ® symbol in this document.

IP1031853 08/2010



ECL30-4050

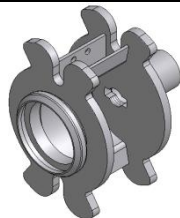
Pos.	Part number	Description	Dimension	Notes	Qty
1	TDE.603	Housing cover			1
2	GRS.083	Sleeve packing			1
3	TFL.616.N3	Cutting ring		Small openings	2
	TFL.615.N3	Cutting ring		Large openings	
	TFL.617.N3	Cutting ring		Extra large openings	

**Low volume rate – rotor 45°**

	GER0006	Rotor complete	45°	Including pos. 4-8	(1)
4	TMH0014	Blade holder	45°		2
5	TMS0013	Blade ring	45°		2
6	TRO.605	Rotor	45°		1
7	NIR.023	Inner ring	JR 55 x 60 x 35		1
8	DFD.116	Ring gasket, foam PU		Grease impregnated	1




**High volume rate – rotor 80°**

	GER0005	Rotor complete	80°	Including pos. 4-8	(1)
4	TMH0011	Blade holder	80°		2
5	TMS0012	Blade ring	80°		2
6	TRO.602	Rotor	80°		1
7	NIR.023	Inner ring	JR 55 x 60 x 35		1
8	DFD.116	Ring gasket, foam PU		Grease impregnated	1

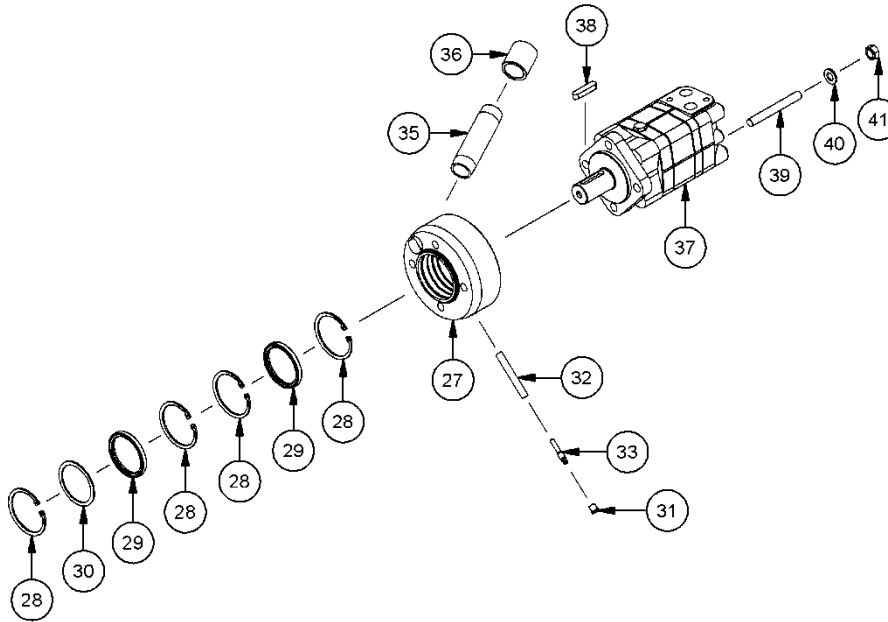
**Extra high volume rate – rotor 110°**

	GER0009	Rotor complete	110°	Including pos. 4-8	(1)
4	TMH0018	Blade holder	110°		2
5	TMS0047	Blade ring	110°		2
6	TRO0193	Rotor	110°		1
7	NIR.023	Inner ring	JR 55 x 60 x 35		1
8	DFD.116	Ring gasket, foam PU		Grease impregnated	1

ECL30-4050

Pos.	Part number	Description	Dimension	Notes	Qty
11	TEV.005.N1.T1	Eccentric adjuster	75 %		2
	TEV.005.N1.T4	Eccentric adjuster	50 %		
	TEV.005.N1.T3	Eccentric adjuster	130 %		
	TEV.005.N1	Eccentric adjuster	100 %		
	TEV.005.N1.T2	Eccentric adjuster	100 %	1.4571	
14	DFD.115	Gasket ABIL	60 x 8 x 1,5	Oil impregnated	1
15	NUS.001	Washer	8.5 x 60 x 6		1
16	DKR.009	Copper ring	A 14 x 8 x 1		1
17	NSK.060.EE	Hexagon head screw	M8 x 65		1
18	TRS.011	Bushing		Rotor	1
19	DOR.021	O-Ring	24 x 3	NBR	1
20	NUS.067	Shim	10 x 31 x 0.2		Option
21	TFD.021	Rubber	15 x 4 mm	Onesided self-adhesive	1.1 m
22	TEG.603	Housing			1
23	DFD.356	Gasket maintenance port			2
24	TFL.504.N1	Maintenance port			2
25	NGS.031	Stud	M12 x 30		4
26	NMK.002	Hexagon nut	M12	Self-locking	4
	VAU.133	Sticker			1
	VAU.014	Sticker			2
	VAU.013.EN	Sticker			2

A – Hydraulikmotor and adaptor for hydraulik motor



Pos.	Part number	Description	Dimension	Notes	Qty
	TAS.013	Adaptor for hydraulic motor complete		Included pos. 27-30	1
27	TRS0015	Adaptor for hydraulic motor			(1)
28	NSR.025	Retaining ring	72 x 2,5		(4)
29	DWD.050	Radial shaft seal ring	60 x 72 x 7		(2)
30	NUS.060	Washer	71.8 x 65 x 2		(1)
31	BKA.001	Grease nipple cap			1
32	NKS.007	Grease nipple extension			1
33	NKS.009	Grease nipple	M6 x 1		1
35	HRS.155	Double nipple	1" x 120		1
36	HRS.163	Socket	1"	Internal thread	1
37	AOM.018	Hydraulic motor	OMS 250		1
	DDS.003	Sealing set for hydraulic motor	OMS; NBR	Included in AOM.018	(1)
38	NPF.053	Fitting key	A 10 x 8 x 45	Included in AOM.018	(1)
39	NGS.049	Stud	M12 x 90	DIN 938	4
40	NUS.005	Washer	A 13 x 24 x 2.5		4
41	NMS.004	Hexagon nut	M12		4
45	NSZ.005	Cylinder pin	8 x 18	DIN 7	2
46	NGS.032	Stud	M10 x 25	DIN 938	13
47	NMK.020	Eye nut	M10		8
48	NMS.003	Hex nut	M10	DIN 934	12
49	NMK.056	Hex nut	M10	DIN 6331	5

VOGELSANG



Hugo Vogelsang Maschinenbau GmbH

Holthöge 10-14
49632 Essen/Oldb.

Phone: +49 (0) 54 34 83 0
Fax: +49 (0) 54 34 83 10

vogelsang-gmbh.com
info@vogelsang-gmbh.com

ENGINEERED TO WORK

Australien
Vogelsang Pty. Ltd.
vogelsang.com.au

Indien
Vogelsang India Private Limited
vogelsangindia.com

Russland
Vogelsang Russland
vogelsang.ru

Brasilien
Vogelsang Brasil Ltda.
vogelsang.com.br

Irland
Vogelsang Ireland
vogelsang.ie

Schweden
Vogelsang Sverige AB
vogelsang.se

China
Vogelsang Mechanical Engineering (Shanghai) Co., Ltd.
vogelsang.com.cn

Italien
Vogelsang Italy Srl
vogelsang-srl.it

Spanien
Vogelsang S.L.
vogelsang.es

Dänemark
Vogelsang A/S
vogelsang-as.dk

Malaysia
Vogelsang Malaysia
vogelsang.info

Südkorea
Vogelsang Korea Co., Ltd.
vogelsang.co.kr

Deutschland - Niederlassung Ost
Vogelsang Lutherstadt Eisleben
vogelsang-gmbh.com

Mexico
Vogelsang De México S.de R.L. de CV
vogelsang.mx

Tschechische Republik
Vogelsang CZ s.r.o.
vogelsang-czech.cz

Finnland
Vogelsang Oy
vogelsang.fi

Polen
Vogelsang Poland Sp. z o.o.
vogelsang.pl

USA
Vogelsang USA Ltd.
vogelsangusa.com

Frankreich
Vogelsang France S.A.R.L.
vogelsang.fr

Österreich
Vogelsang Austria GmbH
vogelsang-austria.at

Großbritannien
Vogelsang Ltd.
vogelsang.co.uk

Rumänien
Vogelsang Romania SRL
vogelsang.ro