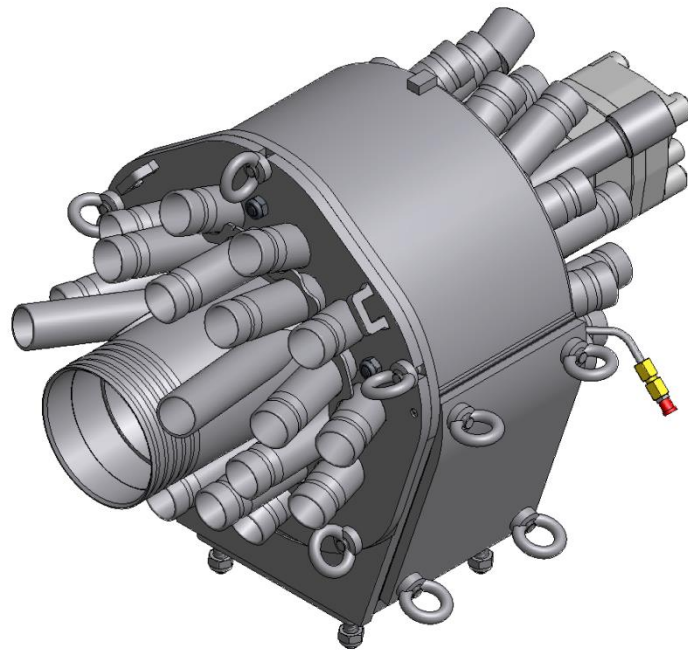




Spare Parts List

ExaCut
ECL40-40

ENGINEERED TO WORK



Spare parts list valid from delivery 2012-12-03

Issuer

Hugo Vogelsang Maschinenbau GmbH
Holthöge 10-14
49632 Essen/Oldb.

Phone: +49 54 34 83 0
Fax: +49 54 34 83 10

vogelsang-gmbh.com
info@vogelsang-gmbh.com

In the absence of express, written authorisation from the issuer, the reproduction or partial reproduction of this document in any form is prohibited.

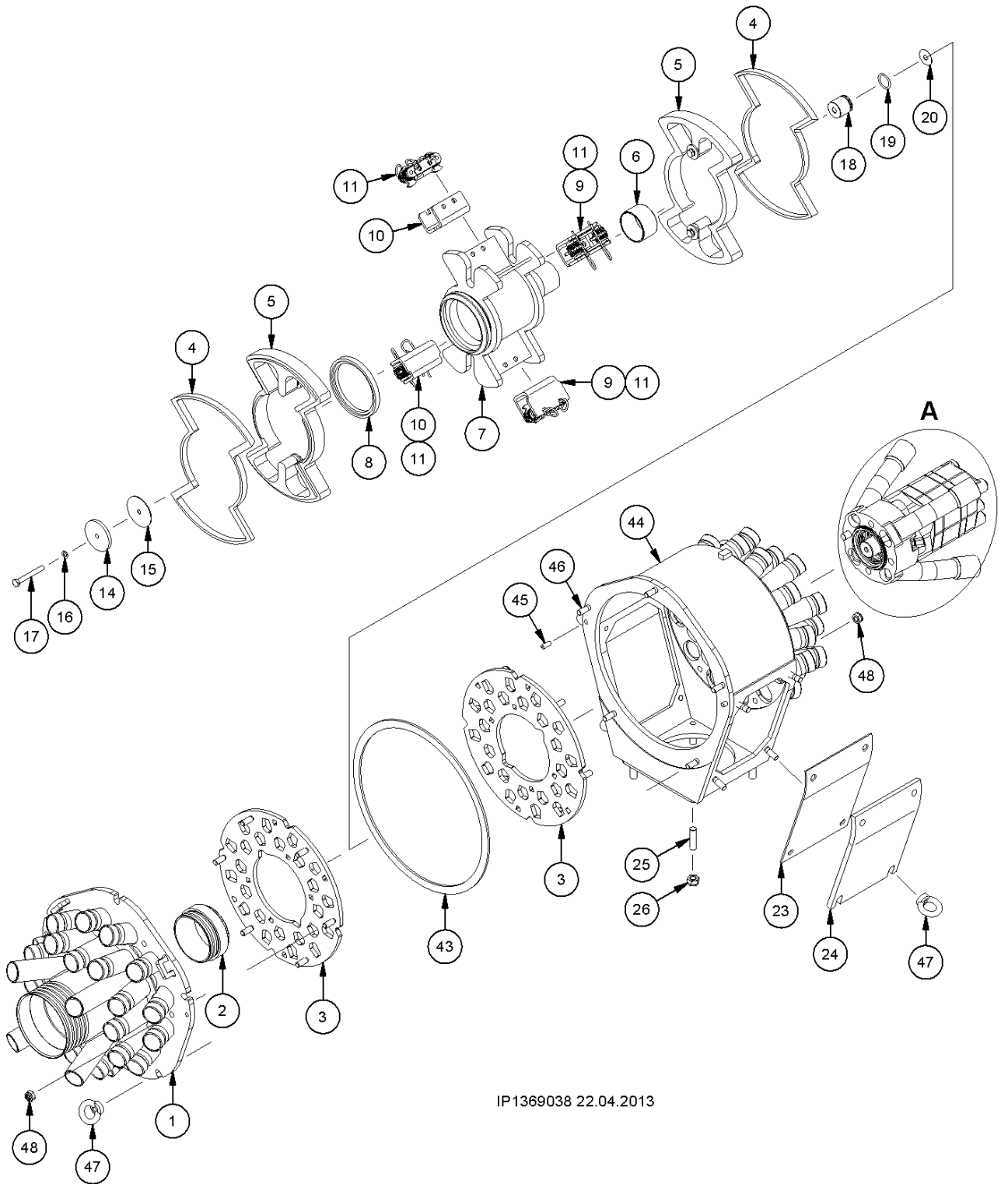
We reserve the right to make technical modifications to the diagrams and information presented in this document in the event that such modifications become necessary for the enhancement of the machine.

© 2013 Hugo Vogelsang Maschinenbau GmbH

Registered trademarks of Vogelsang

Vogelsang, Vogelsang Logo, RotaCut, HiFlo, ACC, CFC, BioCrack, XTill and EnergyJet are registered trademarks of Hugo Vogelsang Maschinenbau GmbH.

The registered trademarks are not always designated with a ® symbol in this document.



IP1369038 22.04.2013

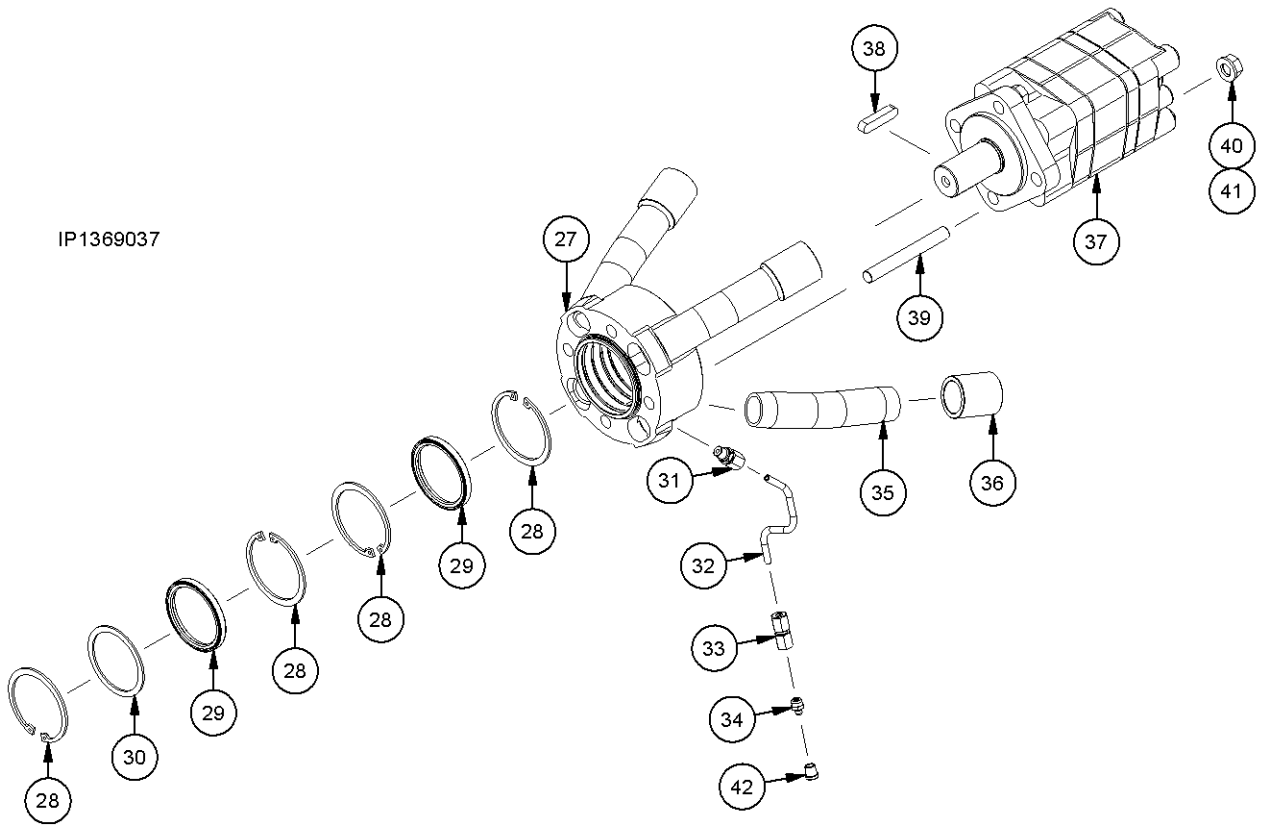
ECL40-40

Pos.	Part number	Description	Dimension	Notes		Qty
1	TDE.701.N1	Cover				1
2	GRS.083	Sleeve packing				1
3	TFL.715	Cutting ring		Large openings (Standard)		2
	TFL.716	Cutting ring		Small openings		
	TFL.717	Cutting ring		Extra large openings		
High spreading capacity – 90°						
4-10	GER0001	Rotor	90°	High spreading capacity		(1)
4	TMS0002	Blade ring	90°			2
5	TMH0003	Blade holder	90°			2
6	NIR.023	Inner ring	JR 55 x 60 x 35			1
7	TRO.708	Rotor	90°	High spreading capacity		1
8	DFD.116	Ring gasket; foam PU		Grease impregnated		1
9	TFL.677	Channel		Long		2
10	TFL.676	Channel		Short		2
Low spreading capacity – 45°						
4-10	GER0004	Rotor	45°	Low spreading capacity		(1)
4	TMS0004	Blade ring	45°			2
5	TMH0006	Blade holder	45°			2
6	NIR.023	Inner ring	JR 55 x 60 x 35			1
7	TRO.711	Rotor	45°	Low spreading capacity		1
8	DFD.116	Foam-PU ring gasket		Grease impregnated		1
9/10	TFL.677	Channel		Long		4
11	TEV.005.N1.T1	Eccentric adjuster	75 %			4
	TEV.005.N1.T4	Eccentric adjuster	50 %			
	TEV.005.N1.T3	Eccentric adjuster	130 %			
	TEV.005.N1	Eccentric adjuster	100 %			
	TEV.005.N1.T2	Eccentric adjuster	100 %	1.4571		
14	DFD.115	Gasket ABIL	60 x 8 x 1,5	Oil impregnated		1
15	NUS.001	Washer	8.5 x 60 x 6			1
16	DKR.009	Copper ring	A 14 x 8 x 1			1
17	NSK.060.EE	Hexagon head screw	M8 x 65			1
18	TRS.011	Bushing		Rotor		1
19	DOR.021	O-Ring	24 x 3	NBR		1
20	NUS.067	Shim	10 x 31 x 0.2			Option
23	DFD.356	Gasket maintenance port				2
24	TFL.504.N1	Maintenance port				2
25	NGS.031	Stud	M12 x 30			4
26	NMK.002	Hexagon nut	M12	Self-locking		4




Continuation see next page

Detail A

IP1369037



Pos.	Part number	Description	Dimension	Notes	Qty
	TAS.015	Adaptor for hydraulic motor; complete			1
27	TRS0016	Adaptor for hydraulic motor			(1)
28	NSR.025	Retaining ring	72 x 2.5		(4)
29	DWD.050	Radial shaft seal ring	60 x 72 x 7		(2)
30	NUS.060	Washer	71.8 x 65 x 2		(1)
31	NGE.094	Screw connection	AL6; M10 x 1		(1)
32	NKS.012	Grease pipe			1
33	NGE.093	Screw connection	GAIL; M10 x 1		1
34	NKS.001	Grease pipe			1
35	TEE.110	Pipe nipple	1" x 150		2
36	HRS.163	Tube coupling	1"	Inside thread	2
37	AOM.018	Hydraulic motor	OMS 250		1
	DDS.003	Sealing set for hydraulic motor	OMS; NBR	Included in AOM.018	(1)
38	NPF.053	Fitting key	A 10 x 8 x 45	Included in AOM.018	(1)
39	NGS.049	Stud	M12 x 90	DIN 938	4
40	NUS.005	Washer	A 13 x 24 x 2.5		4
41	NMS.004	Hexagon nut	M12		4
42	BKA.001	Grease nipple cap			1

Pos.	Part number	Description	Dimension	Notes	Qty
43	TFD.021	Foam rubber	15 x 4 mm		1.1 m
44	TEG.701.N1	Housing			1
	TEG0006	Housing		Inlet on the top	
45	NSZ.005	Cylinder pin	8 x 18	DIN 7	2
46	NGS.032	Stud	M10 x 25	DIN 938	13
47	NMK.020	Ring nut	M10		13
48	NMK.001	Hexagon nut	M10	DIN 985	12
	VAU.133	Sticker			1
	VAU.014	Sticker			2
	VAU.013.EN	Sticker			2

VOGELSANG



Hugo Vogelsang Maschinenbau GmbH

Holthöge 10-14
49632 Essen/Oldb.

Phone: +49 (0) 54 34 83 0
Fax: +49 (0) 54 34 83 10

vogelsang-gmbh.com
info@vogelsang-gmbh.com

ENGINEERED TO WORK

Australien
Vogelsang Pty. Ltd.
vogelsang.com.au

Indien
Vogelsang India Private Limited
vogelsangindia.com

Russland
Vogelsang Russland
vogelsang.ru

Brasilien
Vogelsang Brasil Ltda.
vogelsang.com.br

Irland
Vogelsang Irland
vogelsang.ie

Schweden
Vogelsang Sverige AB
vogelsang.se

China
Vogelsang Mechanical Engineering (Shanghai) Co., Ltd.
vogelsang.com.cn

Italien
Vogelsang Italy Srl
vogelsang-srl.it

Spanien
Vogelsang S.L.
vogelsang.es

Dänemark
Vogelsang A/S
vogelsang-as.dk

Malaysia
Vogelsang Malaysia
vogelsang.info

Südkorea
Vogelsang Korea Co., Ltd.
vogelsang.co.kr

Deutschland - Niederlassung Ost
Vogelsang Lutherstadt Eisleben
vogelsang-gmbh.com

Mexico
Vogelsang De México S.de R.L. de CV
vogelsang.mx

Tschechische Republik
Vogelsang CZ s.r.o.
vogelsang-czech.cz

Finnland
Vogelsang Oy
vogelsang.fi

Polen
Vogelsang Poland Sp. z o.o.
vogelsang.pl

USA
Vogelsang USA Ltd.
vogelsangusa.com

Frankreich
Vogelsang France S.A.R.L.
vogelsang.fr

Österreich
Vogelsang Austria GmbH
vogelsang-austria.at

Großbritannien
Vogelsang Ltd.
vogelsang.co.uk

Rumänien
Vogelsang Romania SRL
vogelsang.ro