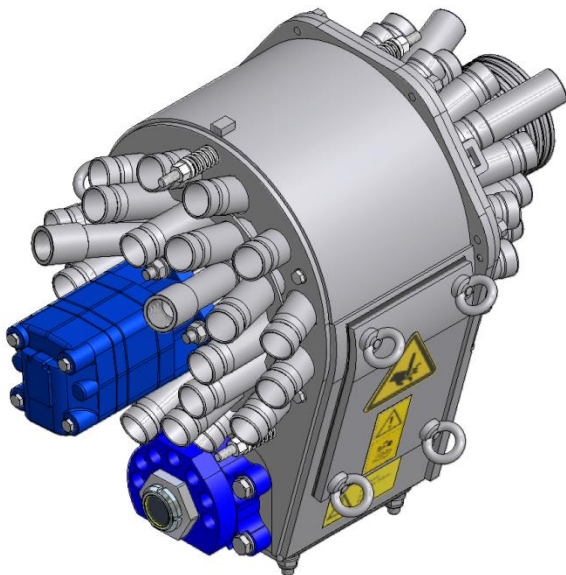




# Spare parts list

ExaCut  
ECV48-40

ENGINEERED TO WORK



### **Issuer**

Hugo Vogelsang Maschinenbau GmbH  
Holthöge 10-14  
49632 Essen/Oldb.

Phone: +49 54 34 83 0  
Fax: +49 54 34 83 10

vogelsang-gmbh.com  
info@vogelsang-gmbh.com

In the absence of express, written authorisation from the issuer, the reproduction or partial reproduction of this document in any form is prohibited.

We reserve the right to make technical modifications to the diagrams and information presented in this document in the event that such modifications become necessary for the enhancement of the machine.

© 2013 Hugo Vogelsang Maschinenbau GmbH

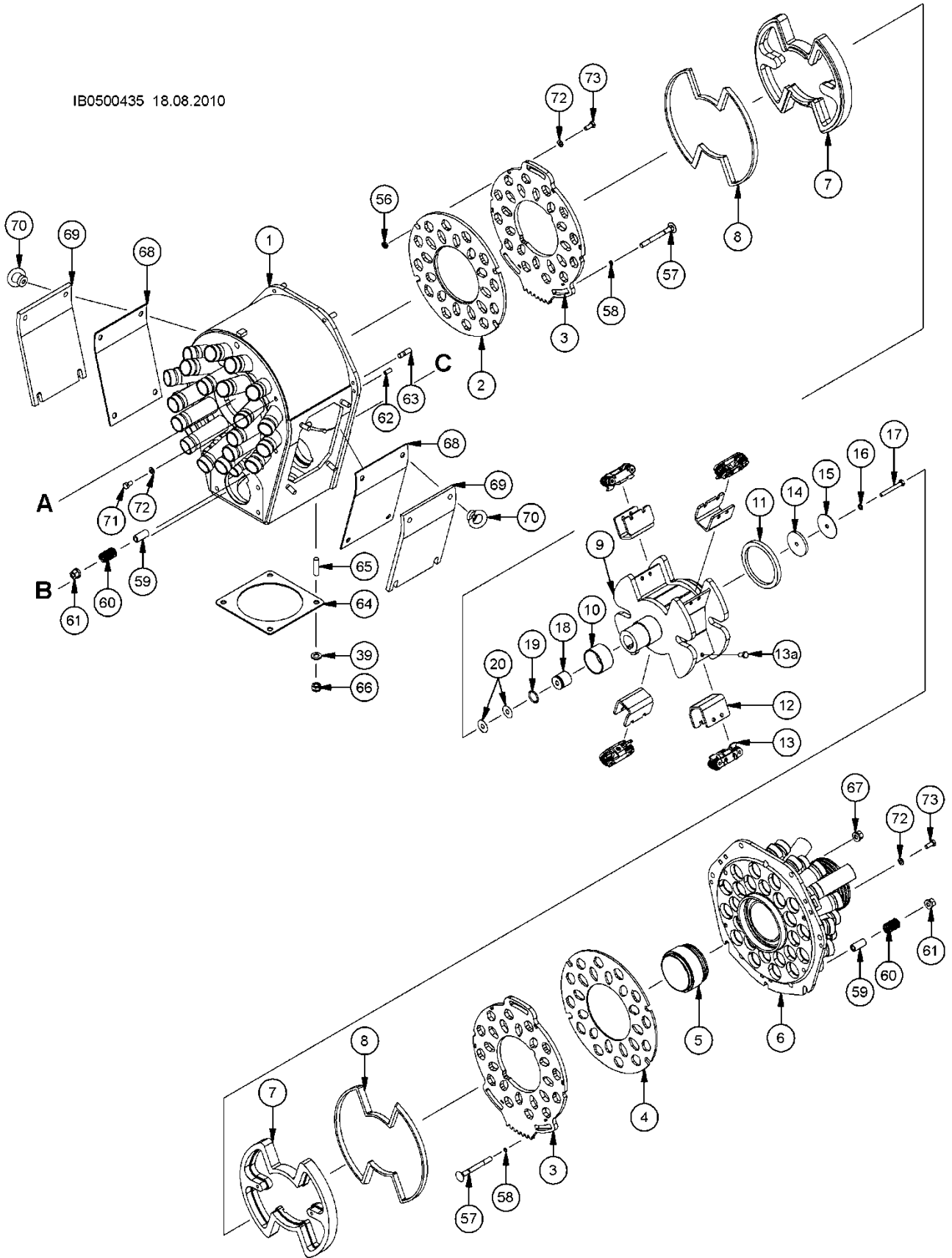
### **Registered trademarks of Vogelsang**

Vogelsang, Vogelsang Logo, RotaCut, HiFlo, ACC, CFC, BioCrack, XTill and EnergyJet are registered trademarks of Hugo Vogelsang Maschinenbau GmbH.

The registered trademarks are not always designated with a ® symbol in this document.

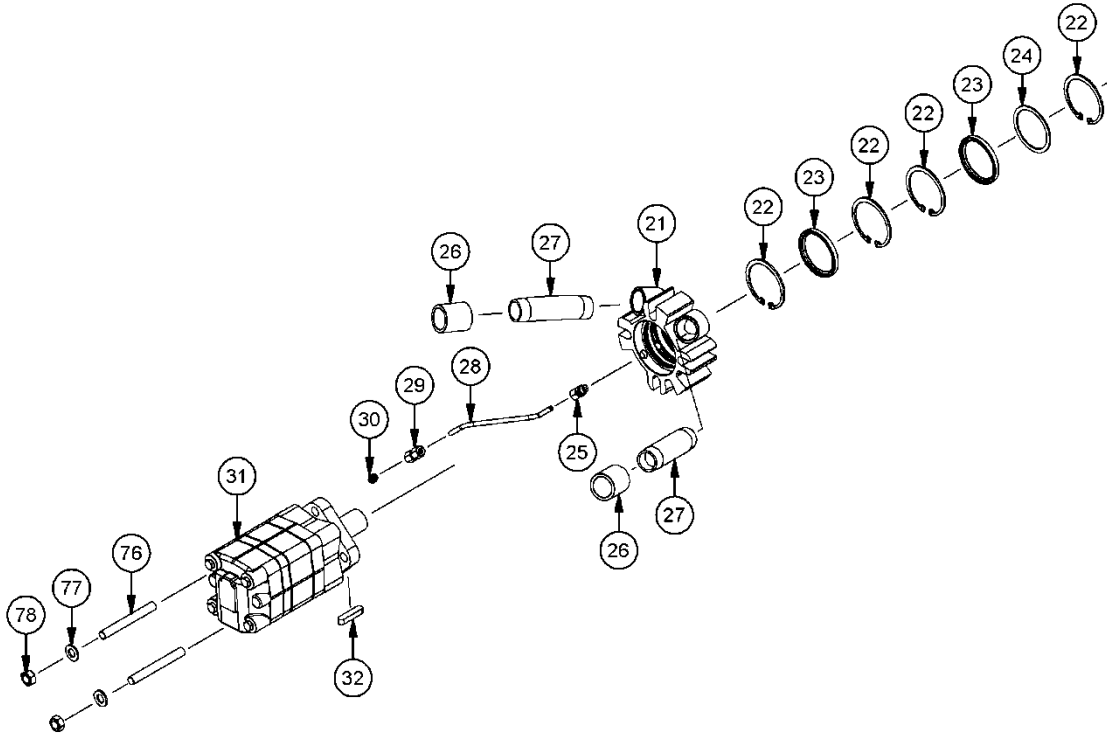
Exploded view

IB0500435 18.08.2010



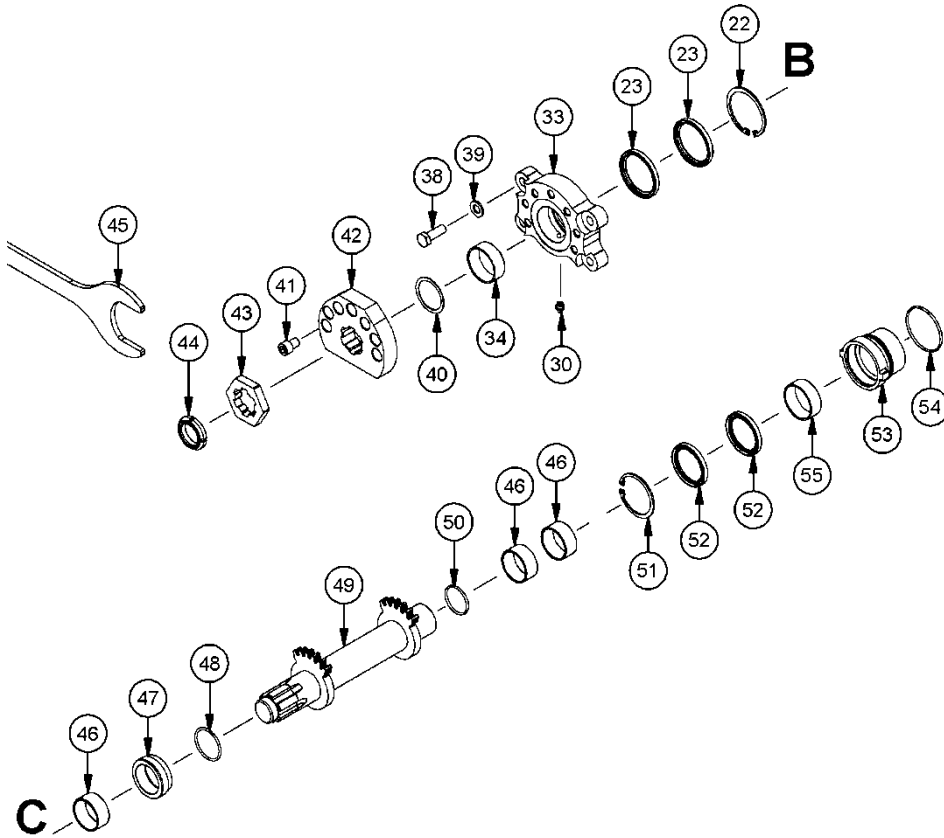
| Pos.                           | Part number   | Description                  | Dimension       | Notes               |  | Qty     |
|--------------------------------|---------------|------------------------------|-----------------|---------------------|--|---------|
| 1                              | TEG.901       | Housing                      |                 |                     |  | 1       |
| 2                              | TFM.034       | Intermediate ring            |                 | Plastic 5 mm        |  | 1       |
| 3                              | TFL.917       | Cutting ring                 |                 |                     |  | 2       |
| 4                              | TFM.033       | Intermediate ring            |                 | Plastic 8 mm        |  | 1       |
| 5                              | GRS.118       | Sleeve packing               |                 |                     |  | 1       |
| 6                              | TDE.901       | Housing cover                |                 |                     |  | 1       |
| <b>Low spreading capacity</b>  |               |                              |                 |                     |  |         |
|                                | GER0004       | Rotor complete               | 45°             | Including Pos. 7-12 |  | (1)     |
| 7                              | TMH0006       | Blade holder                 | 45°             |                     |  | 2       |
| 8                              | TMS0004       | Blade ring                   | 45°             |                     |  | 2       |
| 9                              | TRO.711       | Rotor                        | 45°             |                     |  | 1       |
| <b>High spreading capacity</b> |               |                              |                 |                     |  |         |
|                                | GER0001       | Rotor complete               | 90°             | Including Pos. 7-12 |  | (1)     |
| 7                              | TMH0003       | Blade holder                 | 90°             |                     |  | 2       |
| 8                              | TMS0002       | Blade ring                   | 90°             |                     |  | 2       |
| 9                              | TRO.708       | Rotor                        | 90°             |                     |  | 1       |
| 10                             | NIR.023       | Inner ring                   | JR 55 x 60 x 35 | Nitrided            |  | 1       |
| 11                             | DFD.116       | Ring gasket, foam PU         |                 | Grease impregnated  |  | 1       |
| 12                             | TFL.677       | Channel, long                |                 |                     |  | 4       |
|                                | TFL.676       | Channel, short               |                 |                     |  | -       |
| 13                             | TEV.005.N1.T1 | Eccentric adjuster, complete |                 |                     |  | 4       |
| 13a                            | NSK.208       | Hex head screw               | M8 x 18         | Included in pos. 13 |  | (4 x 2) |
|                                | NUS.003.E     | Washer                       | 8.4 x 16 x 1.5  | Included in pos. 13 |  | (4 x 2) |
| 14                             | NUS.001       | Washer                       | ø8.5 x ø60 x 6  |                     |  | 1       |
| 15                             | DFD.115       | Gasket                       | 60 x 8 x 1.5    |                     |  | 1       |
| 16                             | DKR.009       | Copper ring                  | A 14 x 8 x 1    |                     |  | 1       |
| 17                             | NSK.118       | Hex head screw               | M8 x 65; 8.8    | DIN 933             |  | 1       |
| 18                             | TRS.029       | Bushing for rotor            |                 |                     |  | 1       |
| 19                             | DOR.021       | O-Ring                       | 24 x 3          | NBR 70              |  | 1       |
| 20                             | NUS.067       | Shim                         | 10 x 31 x 0.2   | DIN 522A            |  | Option  |

**A – Hydraulikmotor and adaptor for hydraulik motor**






| Pos. | Part number | Description                           | Dimension     | Notes                | Qty |
|------|-------------|---------------------------------------|---------------|----------------------|-----|
|      | TAS.014     | Adapter for hydraulic motor, complete |               | Including Pos. 21-25 | (1) |
| 21   | TRS.081     | Adapter for hydraulic motor           |               |                      | 1   |
| 22   | NSR.025     | Retaining ring                        | 72 x 2.5      | DIN 472              | 4   |
| 23   | DWD.050     | Lip seal                              | 60 x 72 x 7   | NBR 70               | 2   |
| 24   | NUS.060     | Washer                                | 71.8 x 65 x 2 | DIN 6930; V2A        | 1   |
| 25   | NGE.094     | Screw connection                      | AL6 M10 x 1   |                      | 1   |
| 26   | HRS.163     | Socket                                | 1"            |                      | 2   |
| 27   | TEE.110     | Pipe nipple                           | 1" x 120      |                      | 2   |
| 28   | NKS.012     | Lubricating pipe                      |               |                      | 1   |
| 29   | NGE.093     | Screw connection                      | GAIL6 M10 x 1 |                      | 1   |
| 30   | NSK.001     | Lubricating nipple                    | M10 x 1       | DIN 71415-A          | 1   |
| 31   | AOM.018     | Hydraulic motor                       | OMS 250 M ø32 |                      | 1   |
|      | DDS.003     | Sealing set                           | OMS ø32; NBR  | Included in AOM.018  | (1) |
| 32   | NPF.053     | Key                                   | A 10 x 8 x 45 | Included in AOM.018  | (1) |

**B - Bearing cover and slew shaft**



| Pos. | Part number | Description                  | Dimension       | Notes                 | Qty |
|------|-------------|------------------------------|-----------------|-----------------------|-----|
|      | TEE.005     | Bearing cover, fixed bearing |                 | Including pos. 33-37  | 1   |
| 33   | TRS.037     | Shaft bearing                |                 | Drive side            | (1) |
| 34   | NLG.041     | Side bearing                 | GSM-5055-20     |                       | (2) |
| 35   | NKS.001     | Lubricating nipple           | M10 x 1         |                       | (1) |
| 36   | DWD.050     | Lip seal                     | 60 x 72 x 7     | SSS WAY60             | (2) |
| 37   | NSR.025     | Retaining ring               | 72 x 2,5        | DIN 472               | (1) |
| 38   | NSK.029     | Hex head screw               | M12 x 35        | DIN 933               | 4   |
| 39   | NUS.005     | Washer                       | A 13 x 24 x 2,5 | DIN 125               | 4   |
|      | TEE.008     | Device for capacity control  |                 | Including pos. 40-45  | 1   |
| 40   | NUS.057     | Shim                         | 45 x 44 x 1     | DIN 988               | (1) |
| 41   | NSI.014     | Hex socket head screw        | M12 x 16        | DIN 912               | (1) |
| 42   | TFL.925     | Adjusting plate              |                 |                       | (1) |
| 43   | TFL.926     | Nut                          |                 | Width across flate 67 | (1) |
| 44   | NMN.006     | Lock nut                     | GUK M35 x 1,5   | Self-locking          | (1) |
| 45   | GMS.003     | Open-end wrench              |                 | Width across flate 67 | (1) |

| Pos. | Part number | Description                      | Dimension  | Notes  | Qty   |
|------|-------------|----------------------------------|--|--|-------|
| 46   | NIR.025     | Inner ring                       | JR 45 x 50 x 22  |  | 3     |
| 47   | TRS.120     | Housing for O-ring               |  |  | 1     |
| 48   | DOR.072     | O-ring                           | 45 x 3   | NBR  | 1     |
| 49   | TEE.001     | Slew shaft                       |  |  | 1     |
| 50   | DOR.139     | O-ring                           | 39 x 3   | NBR  | 1     |
|      | TEE.004     | Bearing cover, floating bearing  |  | Including pos. 51-55                           | 1     |
| 51   | NSR.015     | Retaining ring                   |  | DIN 472  | (1)   |
| 52   | DWD.054     | Lip seal                         | 50 x 65 x 7  |  | (2)   |
| 53   | TRS.034     | Shaft bearing                    |  | Inlet side                                     | (1)   |
| 54   | DOR.140     | O-Ring                           | 64 x 3   | NBR  | (1)   |
| 55   | NLG.041     | Slide bearing                    | GSM 5055-20  |  | (2)   |
| 56   | NMS.031     | Hex nut                          | M8   | DIN 439  | 8     |
|      | TEE.006     | Tensioning assembly ExaCut Vario |  | One assembly included pos. 57-61 ever one time | 6     |
| 57   | TRS.112     | Mushroom head bolt               | M10 x 100  | DIN 603; V2A                                   | (6x1) |
| 58   | DOR.128     | O-ring                           | 7,5 x 1,5  | NBR  | (6x1) |
| 59   | TRS.111     | Sleeve for tensioning assembly   |  |  | (6x1) |
| 60   | NFE.016     | Compression spring               |  |  | (6x1) |
| 61   | NMK.018.EE  | Hex nut                          | M10  | DIN 6331; V4A                                  | (6x1) |
| 62   | NSZ.005     | Dowel pin                        | 8 x 18   | DIN 7  | 2     |
| 63   | NGS.032     | Thread screw                     | M10 x 35   | DIN 938  | 15    |
| 64   | DFD.018     | Flange gasket                    | 6"   | One side self adhesive                         | 1     |
| 65   | NGS.031     | Stud                             | M12 x 30; 5.8  | DIN 938  | 4     |
| 66   | NMK.002     | Hex nut                          | M12  | DIN 985; self-locking                          | 4     |
| 67   | NMK.056     | Hex nut                          | M10  | DIN 6331                                       | 7     |
| 68   | DFD.356     | Gasket maintenance port          |  |  | 2     |
| 69   | TFL.504.N1  | Maintenance port                 |  |  | 2     |
| 70   | NMK.020     | Eye nut                          | M10  | DIN 582  | 8     |
| 71   | NSK.167     | Hex head screw                   | M8 x 16  | DIN 933  | 4     |
| 72   | NUS.003     | Washer                           | A 8.4 x 16 x 1.6   | DIN 125  | 8     |
| 73   | NSK.018     | Hex head screw                   | M8 x 20  | DIN 933  | 4     |
| 76   | NGS.049     | Stud                             | M12 x 90; 8.8  | DIN 938  | 4     |
| 77   | NUS.005     | Washer                           | A 13 x 24 x 2.5  | DIN 125  | 4     |
| 78   | NMS.004     | Hex nut                          | M12  | DIN 934  | 4     |
|      | VAU.133     | Sticker                          |  |  | 1     |
|      | VAU.014     | Sticker                          |   |  | 2     |
|      | VAU.013.EN  | Sticker                          |  |  | 2     |



**Hugo Vogelsang Maschinenbau GmbH**  
Holthöge 10-14  
49632 Essen/Oldb.

Phone: +49 (0) 54 34 83 0  
Fax: +49 (0) 54 34 83 10

vogelsang-gmbh.com  
info@vogelsang-gmbh.com

ENGINEERED TO WORK

**USA**  
**Vogelsang USA Ltd.**  
vogelsangusa.com

**Spanien**  
**Vogelsang S.L.**  
vogelsang.es

**Schweden**  
**Vogelsang Sverige AB**  
vogelsang.se

**Großbritannien**  
**Vogelsang Ltd.**  
vogelsang.co.uk

**Australien**  
**Vogelsang Pty. Ltd.**  
vogelsang.com.au

**Malaysia**  
**Vogelsang Malaysia**  
vogelsang.info

**Frankreich**  
**Vogelsang France S.A.R.L.**  
vogelsang.fr

**Indien**  
**Vogelsang India Private Limited**  
vogelsangindia.com

**Finnland**  
**Vogelsang Oy**  
vogelsang.fi

**Italien**  
**Vogelsang Italy Srl**  
vogelsang-srl.it

**Tschechische Republik**  
**Vogelsang CZ s.r.o.**  
vogelsang-czech.cz

**Irland**  
**Vogelsang Irland**  
vogelsang.ie

**Polen**  
**Vogelsang Poland Sp. z o.o.**  
vogelsang.pl

**Dänemark**  
**Vogelsang A/S**  
vogelsang-as.dk

**Deutschland - Niederlassung Ost**  
**Vogelsang Lutherstadt Eisleben**  
vogelsang-gmbh.com

**Rumänien**  
**Vogelsang Romania SRL**  
vogelsang.ro

**Brasilien**  
**Vogelsang Brasil Ltda.**  
vogelsang.com.br

**China**  
**Vogelsang Mechanical Engineering (Shanghai) Co., Ltd.**  
vogelsang.com.cn

**Mexico**  
**Vogelsang De México S.de R.L. de CV**  
vogelsang.mx