



Spare Parts List

Serial Number

ExaCut ETX30-40

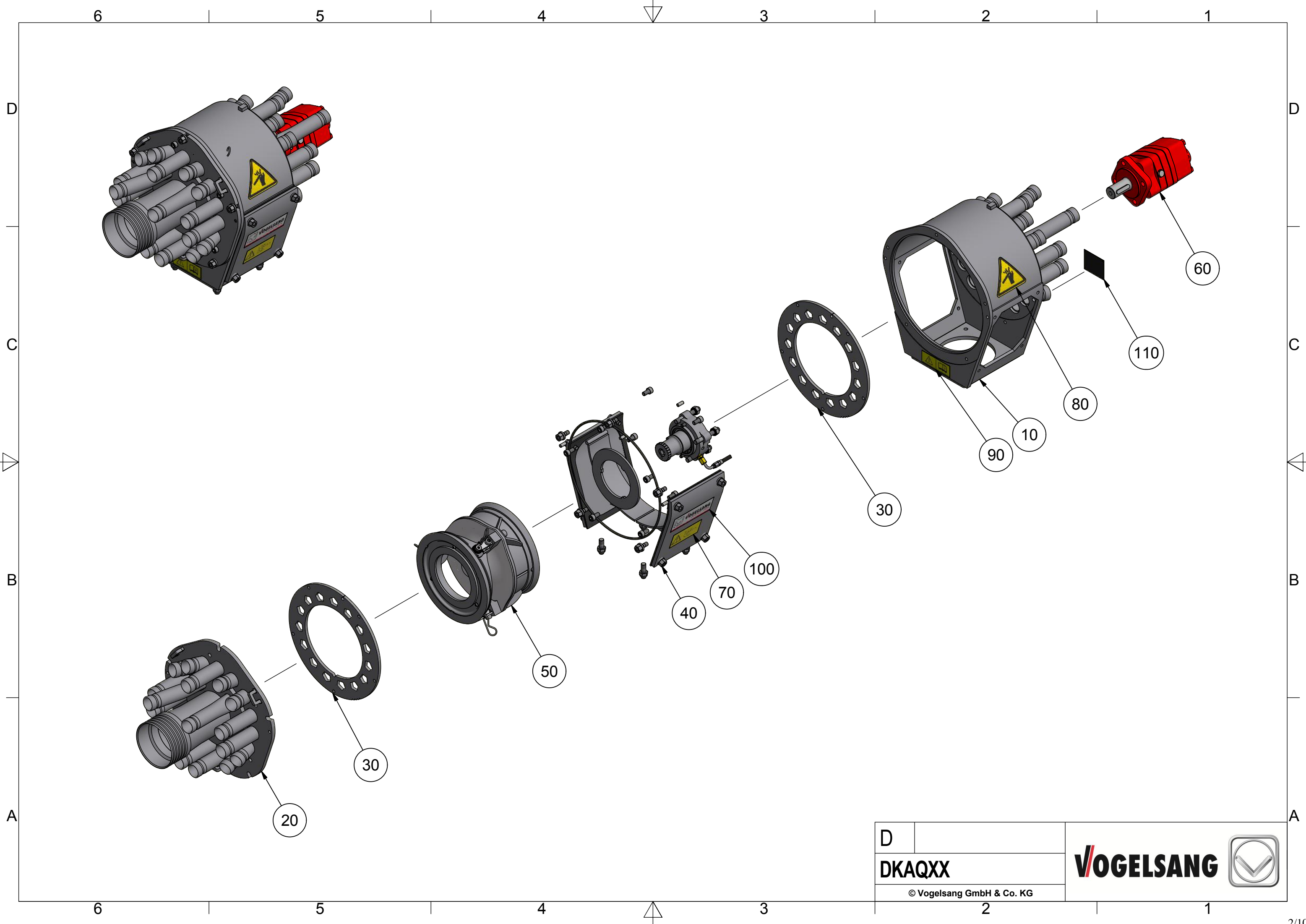
Machine Type

DPK0000515

Part Number

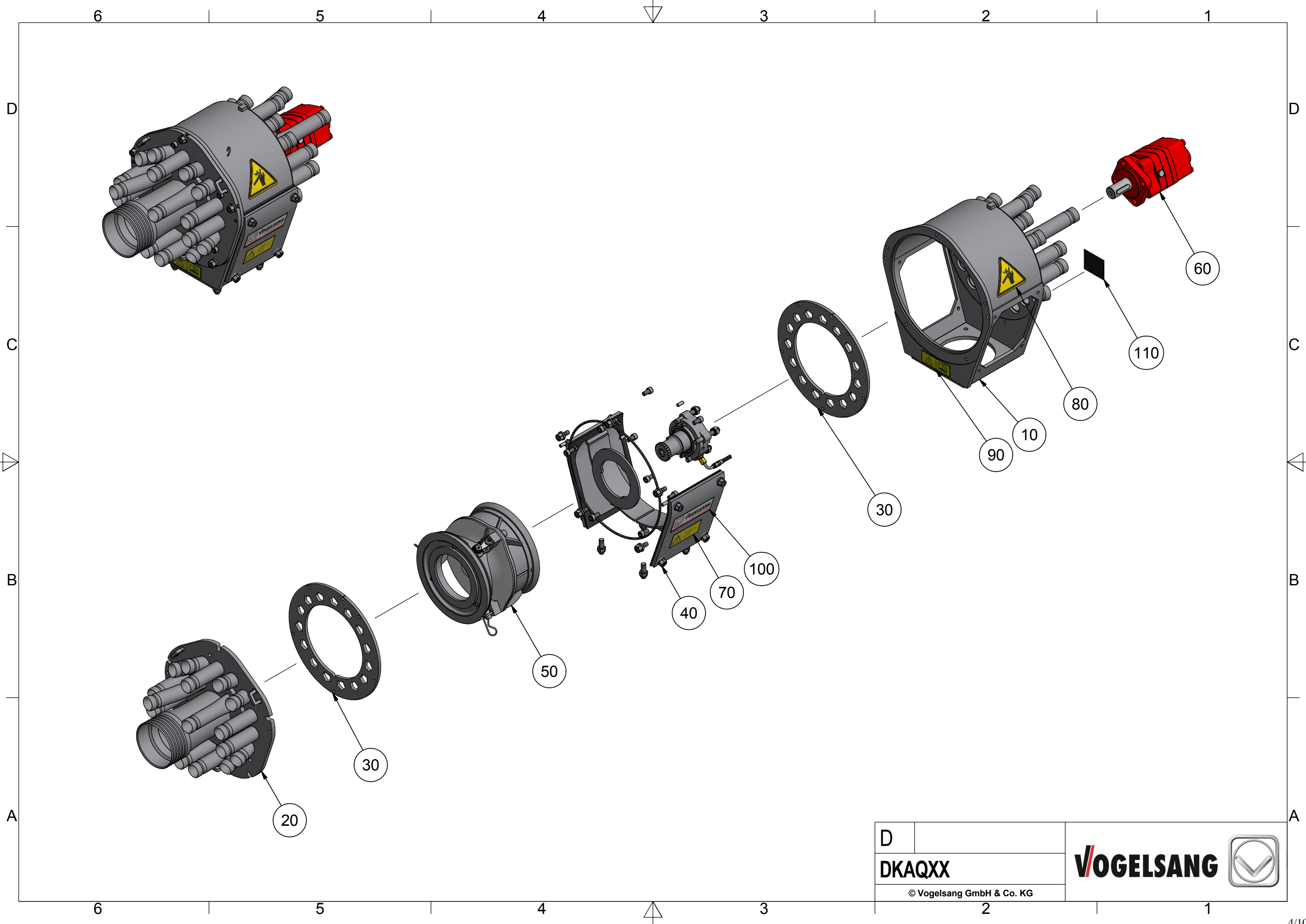
Customer

Order Number

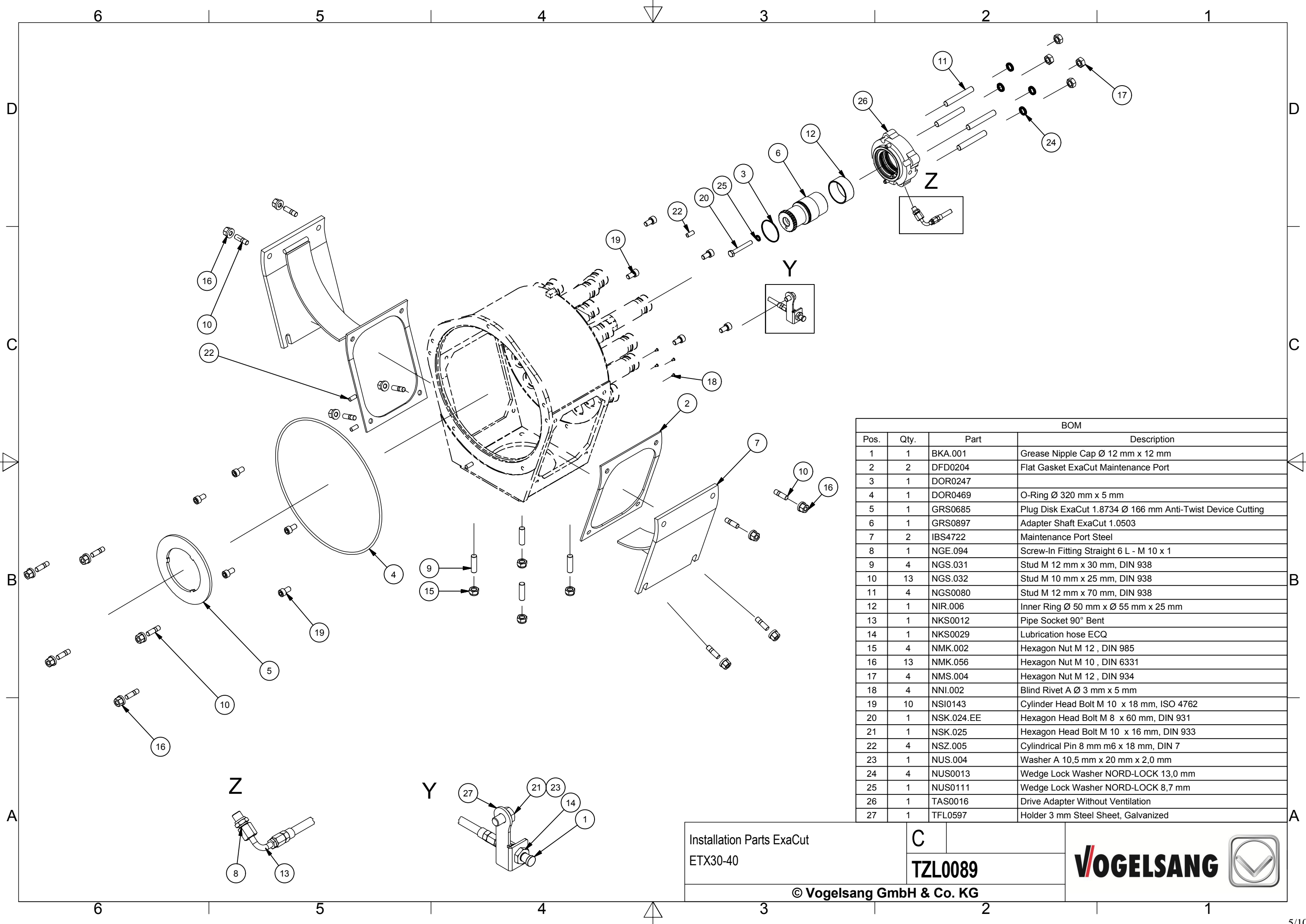


D		
DKAQXX		VOGELSANG 
	© Vogelsang GmbH & Co. KG	

Pos.	Denomination	Quantity	Part	Page
0	ExaCut ETX30-40		DPK0000515	4
10	Housing, Machined ExaCut ETX30-40	1 St	TEG0048	
20	Cover, Machined ExaCut ETX30-40	1 St	TDE0059	
30	Cutting Ring ExaCut ETX30-40	2 St	TFL1282	
40	Installation Parts ExaCut ETX30-40	1 St	TZL0089	5
40.26000	Drive Adapter Without Ventilation	1 St	TAS0016	6
50	Preassembled Oscillator ExaCut ETX	1 St	GER0033	7
50.2000	Preassembled Oscillator ExaCut ETX	1 St	GER0034	8
50.2000.26000	Eccentric Adjuster ETX 75%	3 St	TEV0012	9
60	Hydraulic Motor 125 cm ³ /U, 32,0 mm	1 St	AOM0069.TF	
70	Label Turn off Drive	2 St	VAU.013.00	
80	Label Caution: Risk of Hand Injuries , , 100 mm x 113 mm,	2 St	VAU.014	
90	Label Operating Instructions ,	1 St	VAU.133	
100	Label Vogelsang Logo ,	2 St	VAU0046	
110	Name Plate 70 x 60 x 0,8 mm General	1 St	VAU0120	

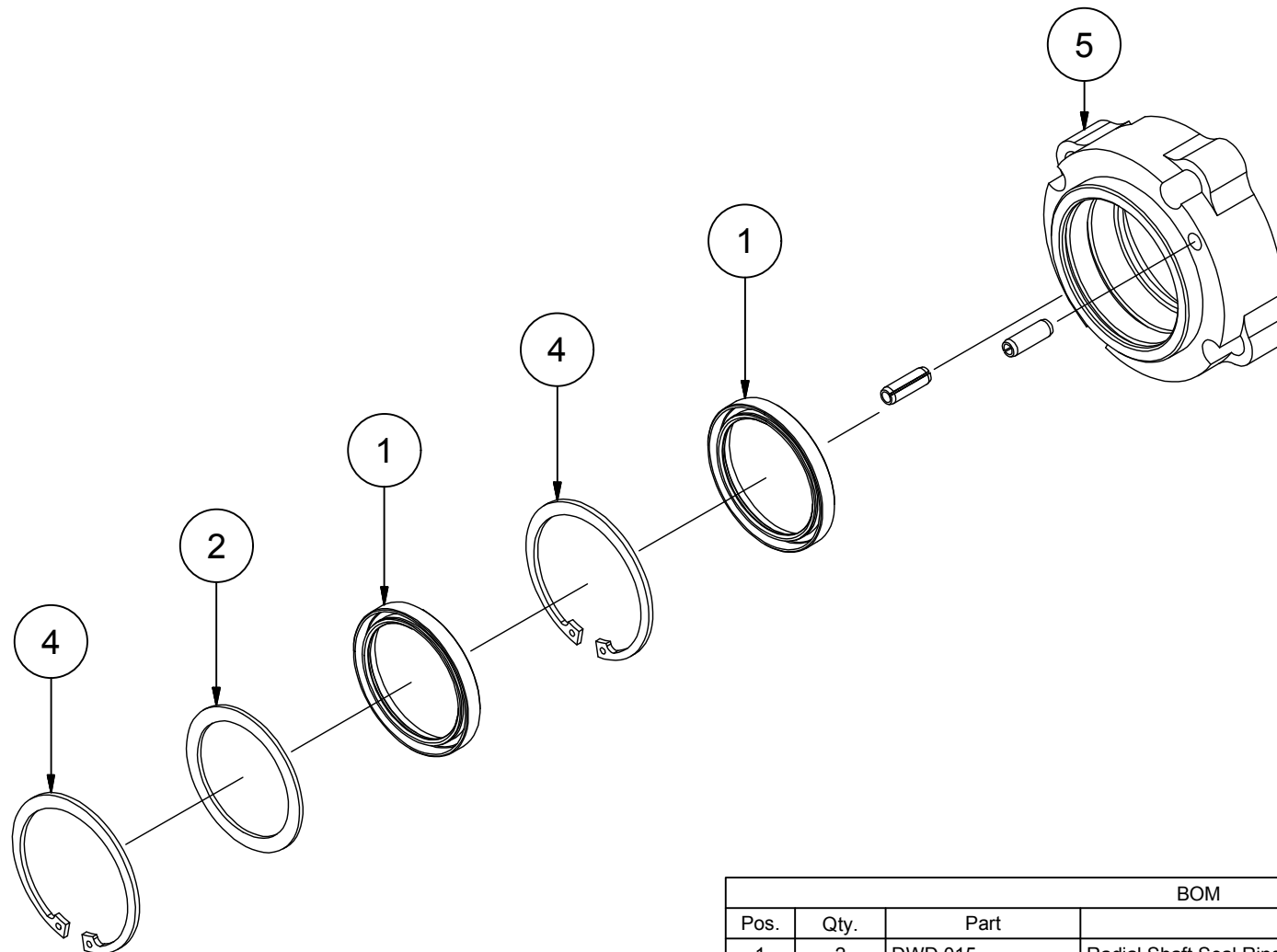


D		
DKAQXX		VOGELSANG 
© Vogelsang GmbH & Co. KG		



BOM			
Pos.	Qty.	Part	Description
1	1	BKA.001	Grease Nipple Cap Ø 12 mm x 12 mm
2	2	DFD0204	Flat Gasket ExaCut Maintenance Port
3	1	DOR0247	
4	1	DOR0469	O-Ring Ø 320 mm x 5 mm
5	1	GRS0685	Plug Disk ExaCut 1.8734 Ø 166 mm Anti-Twist Device Cutting
6	1	GRS0897	Adapter Shaft ExaCut 1.0503
7	2	IBS4722	Maintenance Port Steel
8	1	NGE.094	Screw-In Fitting Straight 6 L - M 10 x 1
9	4	NGS.031	Stud M 12 mm x 30 mm, DIN 938
10	13	NGS.032	Stud M 10 mm x 25 mm, DIN 938
11	4	NGS0080	Stud M 12 mm x 70 mm, DIN 938
12	1	NIR.006	Inner Ring Ø 50 mm x Ø 55 mm x 25 mm
13	1	NKS0012	Pipe Socket 90° Bent
14	1	NKS0029	Lubrication hose ECQ
15	4	NMK.002	Hexagon Nut M 12 , DIN 985
16	13	NMK.056	Hexagon Nut M 10 , DIN 6331
17	4	NMS.004	Hexagon Nut M 12 , DIN 934
18	4	NNI.002	Blind Rivet A Ø 3 mm x 5 mm
19	10	NSI0143	Cylinder Head Bolt M 10 x 18 mm, ISO 4762
20	1	NSK.024.EE	Hexagon Head Bolt M 8 x 60 mm, DIN 931
21	1	NSK.025	Hexagon Head Bolt M 10 x 16 mm, DIN 933
22	4	NSZ.005	Cylindrical Pin 8 mm m6 x 18 mm, DIN 7
23	1	NUS.004	Washer A 10,5 mm x 20 mm x 2,0 mm
24	4	NUS0013	Wedge Lock Washer NORD-LOCK 13,0 mm
25	1	NUS0111	Wedge Lock Washer NORD-LOCK 8,7 mm
26	1	TAS0016	Drive Adapter Without Ventilation
27	1	TFL0597	Holder 3 mm Steel Sheet, Galvanized

Installation Parts ExaCut ETX30-40	C	
	TZL0089	
© Vogelsang GmbH & Co. KG		



BOM			
Pos.	Qty.	Part	Description
1	2	DWD.015	Radial Shaft Seal Ring AS 55 mm x 70 mm x 8 mm DIN 3760
2	1	LFL1586	Laser-Cut Part Material Thickness 2 mm
3	2	NSP.025	Spring Pin 8 mm x 24 mm, ISO 8752
4	2	NSR.025	Retaining Ring Ø 72 mm x 2,5 mm
5	1	TFL0963	Drive Adapter Ø 130 mm, 44,2 mm

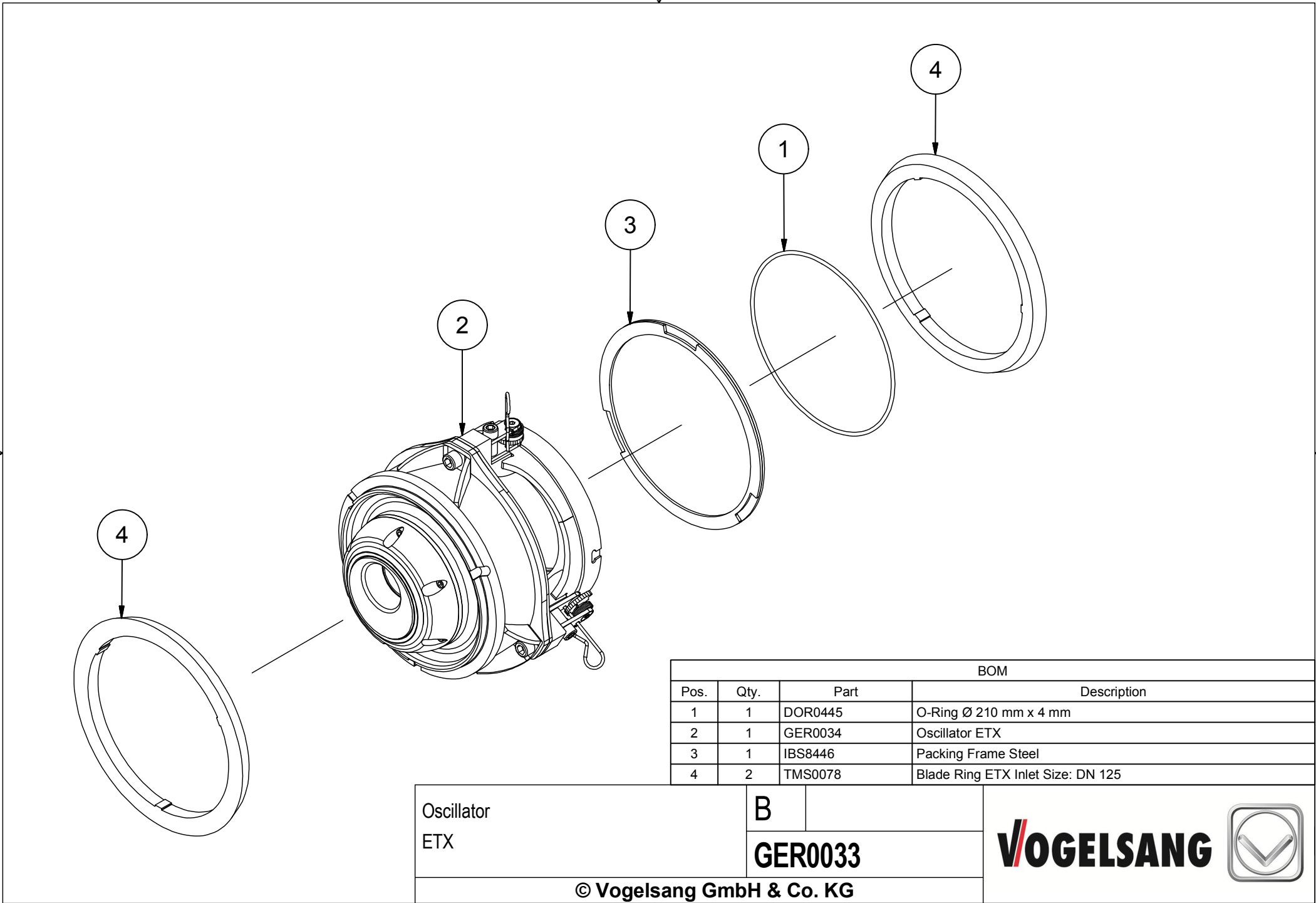
Drive Adapter
Without Ventilation

D
TAS0016

© Vogelsang GmbH & Co. KG

VOGELSANG

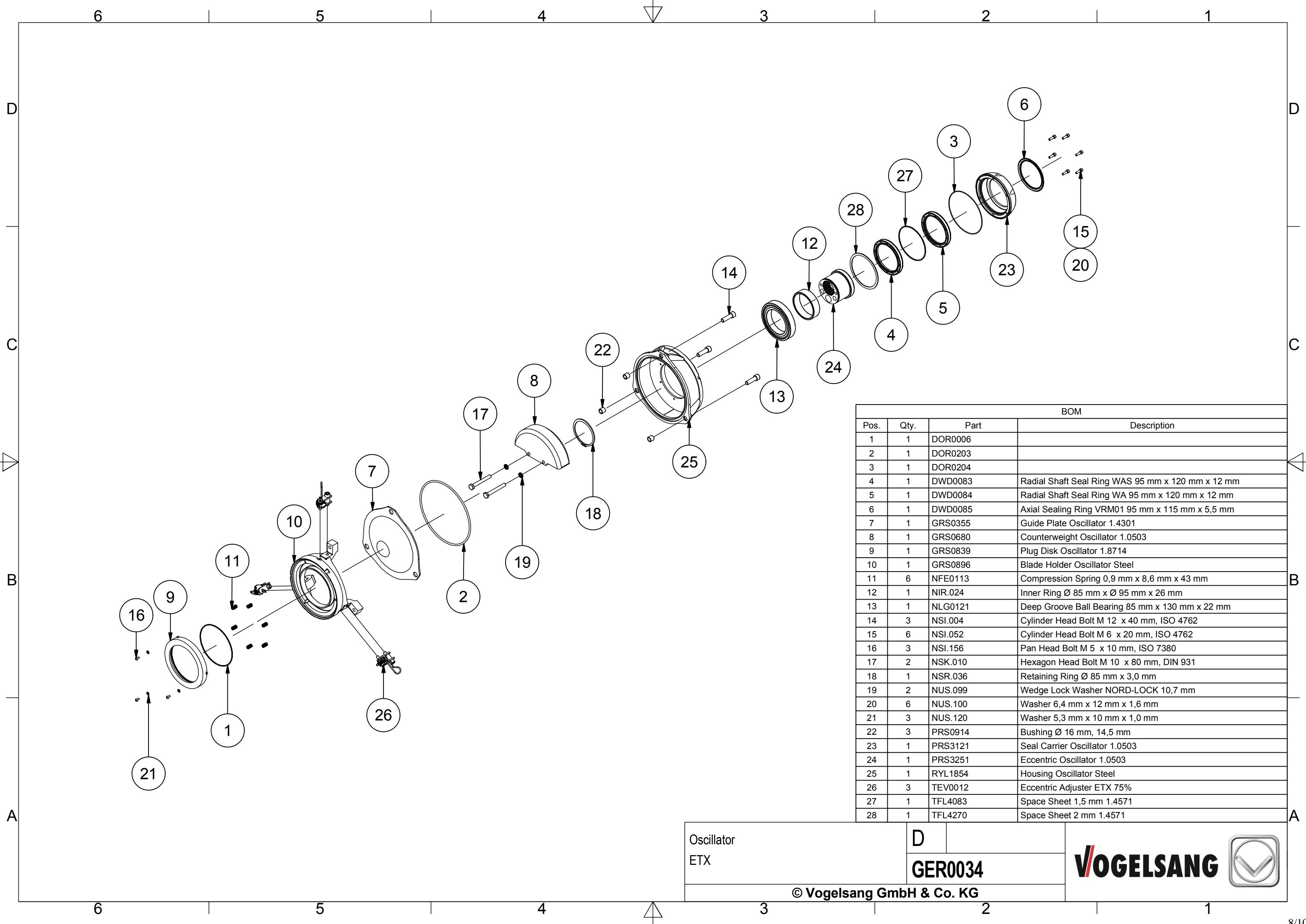





BOM			
Pos.	Qty.	Part	Description
1	1	DOR0445	O-Ring Ø 210 mm x 4 mm
2	1	GER0034	Oscillator ETX
3	1	IBS8446	Packing Frame Steel
4	2	TMS0078	Blade Ring ETX Inlet Size: DN 125

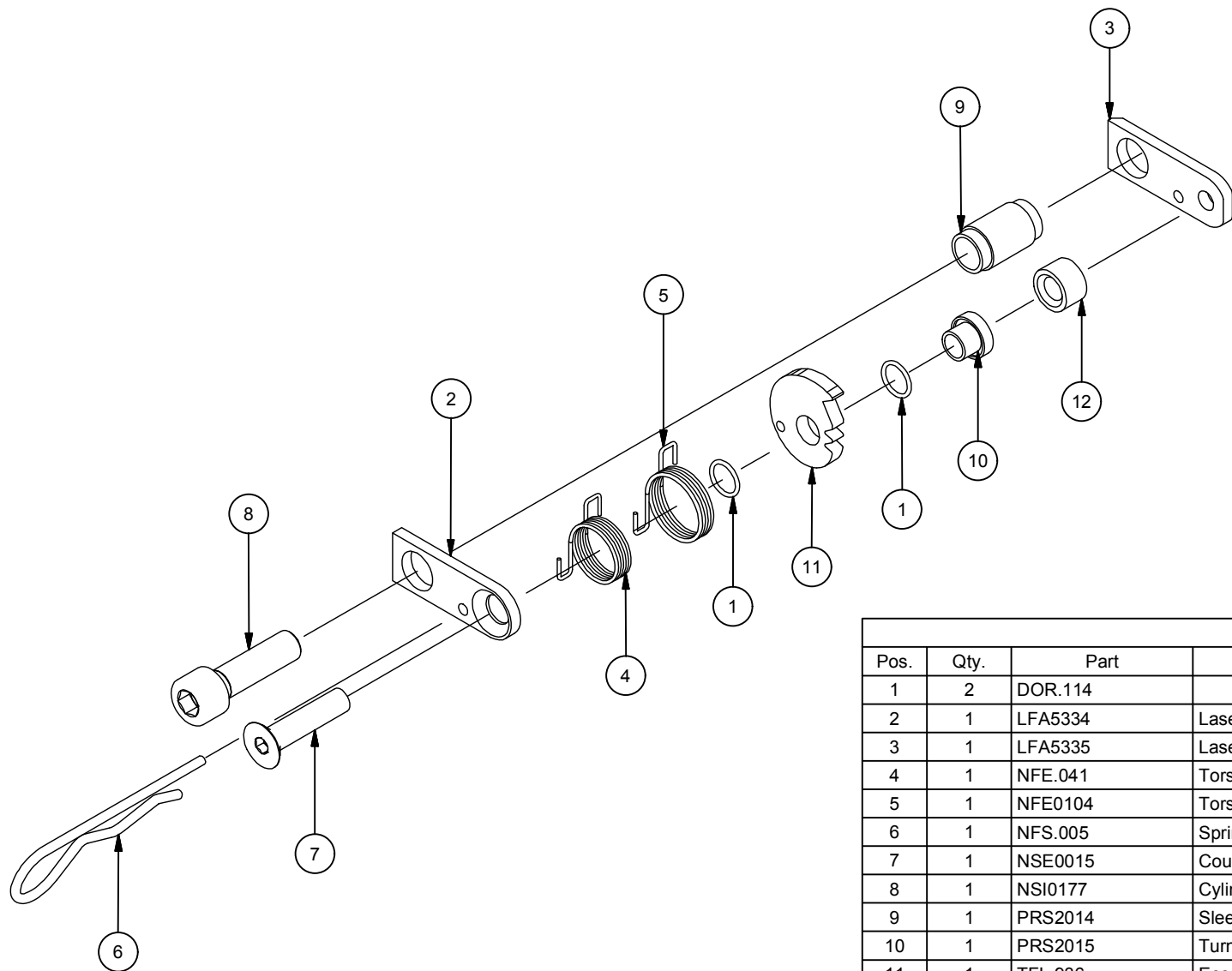
Oscillator ETX	B
	GER0033
© Vogelsang GmbH & Co. KG	





BOM			
Pos.	Qty.	Part	Description
1	1	DOR0006	
2	1	DOR0203	
3	1	DOR0204	
4	1	DWD0083	Radial Shaft Seal Ring WAS 95 mm x 120 mm x 12 mm
5	1	DWD0084	Radial Shaft Seal Ring WA 95 mm x 120 mm x 12 mm
6	1	DWD0085	Axial Sealing Ring VRM01 95 mm x 115 mm x 5,5 mm
7	1	GRS0355	Guide Plate Oscillator 1.4301
8	1	GRS0680	Counterweight Oscillator 1.0503
9	1	GRS0839	Plug Disk Oscillator 1.8714
10	1	GRS0896	Blade Holder Oscillator Steel
11	6	NFE0113	Compression Spring 0,9 mm x 8,6 mm x 43 mm
12	1	NIR.024	Inner Ring Ø 85 mm x Ø 95 mm x 26 mm
13	1	NLG0121	Deep Groove Ball Bearing 85 mm x 130 mm x 22 mm
14	3	NSI.004	Cylinder Head Bolt M 12 x 40 mm, ISO 4762
15	6	NSI.052	Cylinder Head Bolt M 6 x 20 mm, ISO 4762
16	3	NSI.156	Pan Head Bolt M 5 x 10 mm, ISO 7380
17	2	NSK.010	Hexagon Head Bolt M 10 x 80 mm, DIN 931
18	1	NSR.036	Retaining Ring Ø 85 mm x 3,0 mm
19	2	NUS.099	Wedge Lock Washer NORD-LOCK 10,7 mm
20	6	NUS.100	Washer 6,4 mm x 12 mm x 1,6 mm
21	3	NUS.120	Washer 5,3 mm x 10 mm x 1,0 mm
22	3	PRS0914	Bushing Ø 16 mm, 14,5 mm
23	1	PRS3121	Seal Carrier Oscillator 1.0503
24	1	PRS3251	Eccentric Oscillator 1.0503
25	1	RYL1854	Housing Oscillator Steel
26	3	TEV0012	Eccentric Adjuster ETX 75%
27	1	TFL4083	Space Sheet 1,5 mm 1.4571
28	1	TFL4270	Space Sheet 2 mm 1.4571

Oscillator ETX	D	
GER0034		
© Vogelsang GmbH & Co. KG		



BOM			
Pos.	Qty.	Part	Description
1	2	DOR.114	
2	1	LFA5334	Laser-Cut Part Material Thickness 4 mm
3	1	LFA5335	Laser-Cut Part Material Thickness 4 mm
4	1	NFE.041	Torsion Spring 1,1 mm x 18,4 mm
5	1	NFE0104	Torsion Spring 1,2 mm x 21,5 mm
6	1	NFS.005	Spring Cotter Pin 3 mm Single Bent
7	1	NSE0015	Countersunk Bolt M 8 x 35 mm, ISO 10642
8	1	NSI0177	Cylinder Head Bolt M 10 x 1 x 35 mm, ISO 4762
9	1	PRS2014	Sleeve Ø 15 mm, 26,5 mm
10	1	PRS2015	Turned Part Ø 14,4 mm, 10,1 mm
11	1	TFL.936	Eccentric for Adjuster 4,75 mm 1.4034
12	1	TRS.025.N1	Turned Part, Raw Part Ø 14,4 mm x 8,9 mm

Eccentric Adjuster ETX

75%

B

TEV0012

© Vogelsang GmbH & Co. KG

VOGELSANG



**Vogelsang GmbH & Co. KG**

Holthöge 10-14, 49632 Essen/Oldb., GERMANY

Phone: +49 (0) 5434 83 83 83
+49 (0) 5434 83 99 99

Fax: +49 (0) 5434 83 10

service@vogelsang.info

www.vogelsang.info

Vogelsang Lutherstadt Eisleben

Gewerbegebiet Rothenschirmbach Nr. 8, 06295 Lutherstadt Eisleben, GERMANY

Phone: +49 (0) 34776 91 92 14

Fax: +49 (0) 34776 91 92 60

ENGINEERED TO WORK**Australia****Vogelsang Pty. Ltd.**

vogelsang.com.au

Denmark**Vogelsang A/S**

vogelsang-as.dk

Italy**Vogelsang Italy Srl**

vogelsang-srl.it

Russia**Vogelsang Russland**

vogelsang.ru

USA**Vogelsang USA Ltd.**

vogelsangusa.com

Austria**Vogelsang Austria GmbH**

vogelsang-austria.at

Finland**Vogelsang Oy**

vogelsang.fi

Malaysia**Vogelsang Malaysia**

vogelsang.info

South Korea**Vogelsang Korea Co., Ltd.**

vogelsang.co.kr

Brasil**Vogelsang Brasil Ltda.**

vogelsang.com.br

France**Vogelsang France S.A.R.L.**

vogelsang.fr

Mexico**Vogelsang De México****S.de R.L. de CV**

vogelsang.mx

Spain**Vogelsang S.L.**

vogelsang.es

China**Vogelsang Mechanical
Engineering (Shanghai) Co., Ltd.**

vogelsang.com.cn

India**Vogelsang India Private Limited**

vogelsangindia.com

Poland**Vogelsang Poland Sp. z o.o.**

vogelsang.pl

Sweden**Vogelsang Sverige AB**

vogelsang.se

Czech Republic**Vogelsang CZ s.r.o.**

vogelsang-czech.cz

Ireland**Vogelsang Irland**

vogelsang.ie

Romania**Vogelsang Romania SRL**

vogelsang.ro

United Kingdom**Vogelsang Ltd.**

vogelsang.co.uk

We reserve the right to make technical modifications to the diagrams and information presented in this document in the event that such modifications become necessary for the enhancement of the machine.

© 2017 Vogelsang GmbH & Co. KG