



Spare Parts List

Serial Number

Compax2 15 m

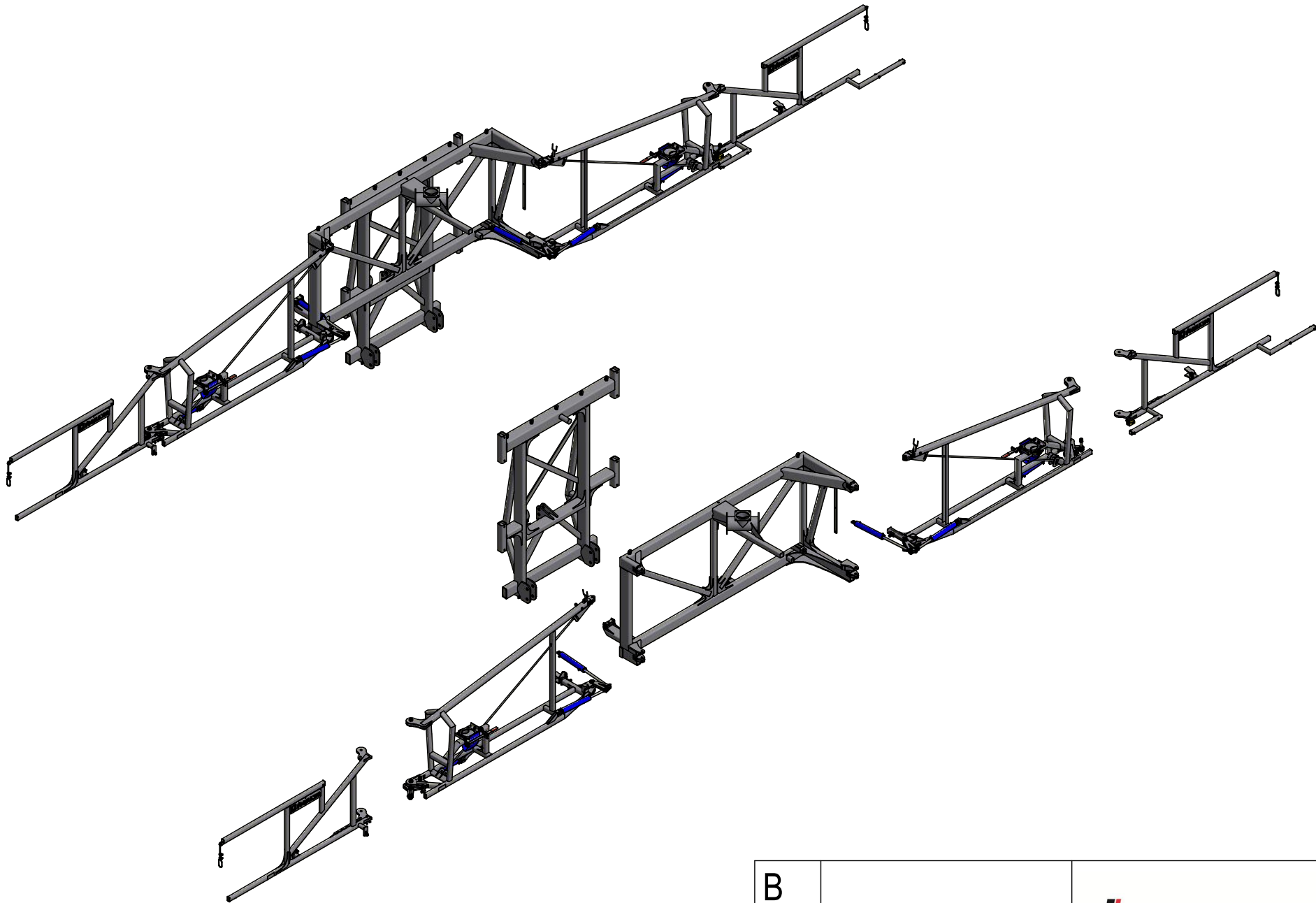
Machine Type

SSG0000112

Part Number

Customer

Order Number



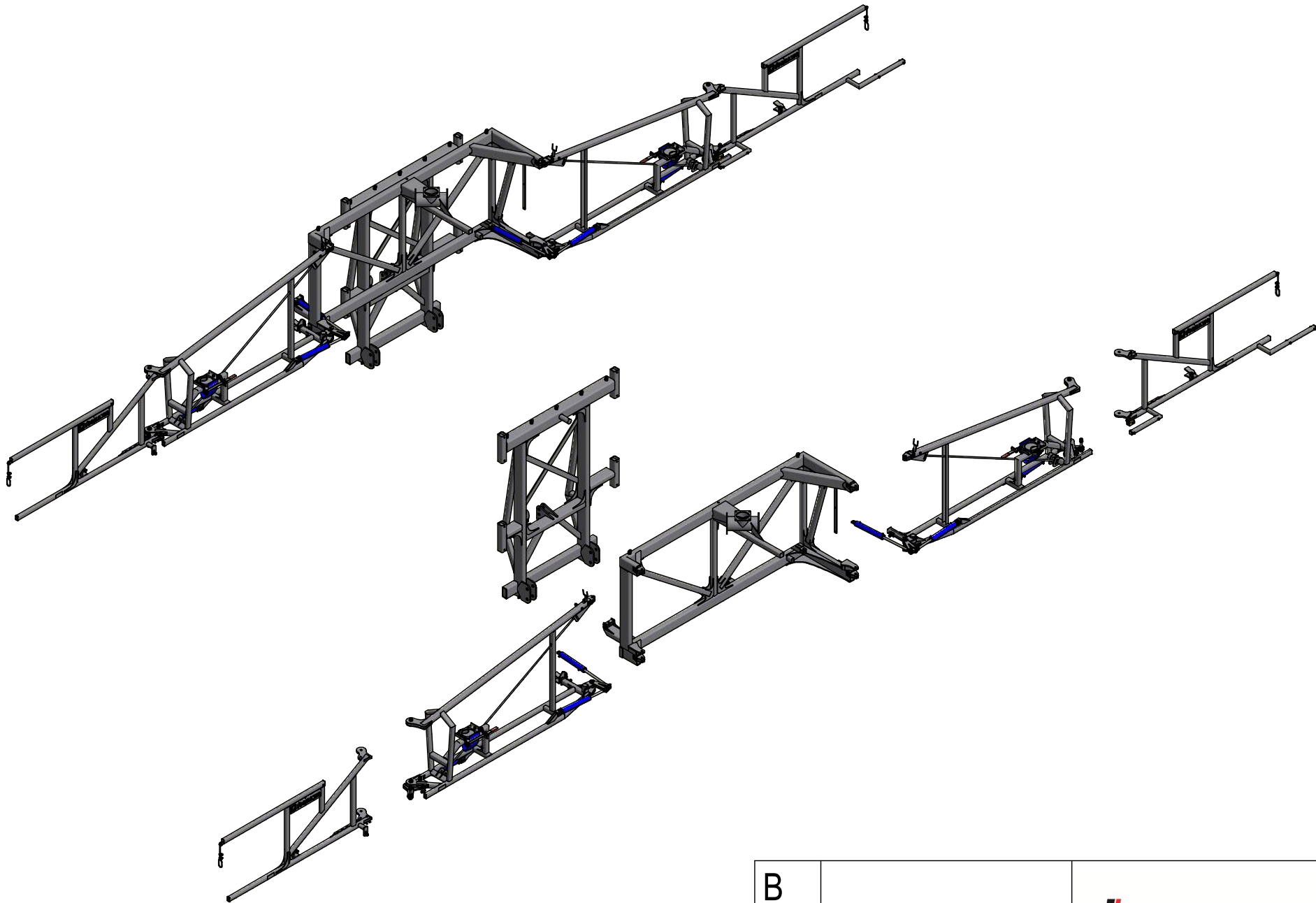
B	
SKDDX	
© Vogelsang GmbH & Co. KG	



Pos.	Denomination	Quantity	Part	Page
0	Compax2 15 m		SSG0000112	6
10	Supporting Frame Compax2 Three-Point Linkage Hot-Dip	1 St	SSB0384	7
20	Supporting Frame Holder Compax2	1 St	SSB0385	8
30	Boom Compax2 15 m	1 St	TSB0057	9
30.20000	Holding and Security Device Steel	1 St	SSB0122	10
30.23000	Distributor Holder ECL/ETX	1 St	THM0007	11
30.24000	180° Folding Compax2	1 St	TSM0175	12
30.25000	180° Folding Compax2	1 St	TSM0176	13
30.26000	Set of Pins Ø 20 mm x 63 mm	2 St	TSZ.500	14
40	Boom Compax2 15 m	1 St	TSB0058	15
40.20000	Distributor Holder ECL/ETX	1 St	THM0007	11
40.21000	180° Folding Compax2	1 St	TSM0175	12
40.22000	180° Folding Compax2	1 St	TSM0438	16
40.23000	Set of Pins Ø 20 mm x 63 mm	2 St	TSZ.500	14
50	End Arm Compax2 15 m	1 St	TSB0059	17
50.15000	Holding and Security Device Steel	1 St	SSB0135	18
60	End Arm Compax2 15 m	1 St	TSB0060	19
60.16000	Holding and Security Device Steel	1 St	SSB0122	10
70	Feed Line, Distributor Compax2, 9 m/12 m/15 m	2 St	TSZ0066	20
70.3000	Bolt Set	4 St	IBA.030.T8	21
80	ExaCut ECL24 DN50	2 St	DPK0000164	22
80.10	Housing, Parts Kit ECL24-50	1 St	GEC.006	23
80.10.3000	ExaCut, Installation Parts ECL/ECLEO24-50	1 St	TZL.802	24
80.10.3000.1000	Drive Adapter Double Ventilation 90°	1 St	TAS.015	25
80.10.3000.1000.10	Seal Kit ExaCut Shaft Diameter Ø 32 mm	1 St	DDS0016	26
80.20	Cutting Ring ECL24-50	2 St	TFL.815	
80.30	ExaCut Rotor DN 125	1 St	GER0001	27
80.30.1000	ExaCut Rotor DN 125	1 St	GER0017	28
80.40	Hydraulic Motor Painted 250 cm ³ /U, 32,0 mm	1 St	AOM.018.TF	
80.50	Eccentric Adjuster ECL/ECV 75%	4 St	TEV.005.N1.T1	29

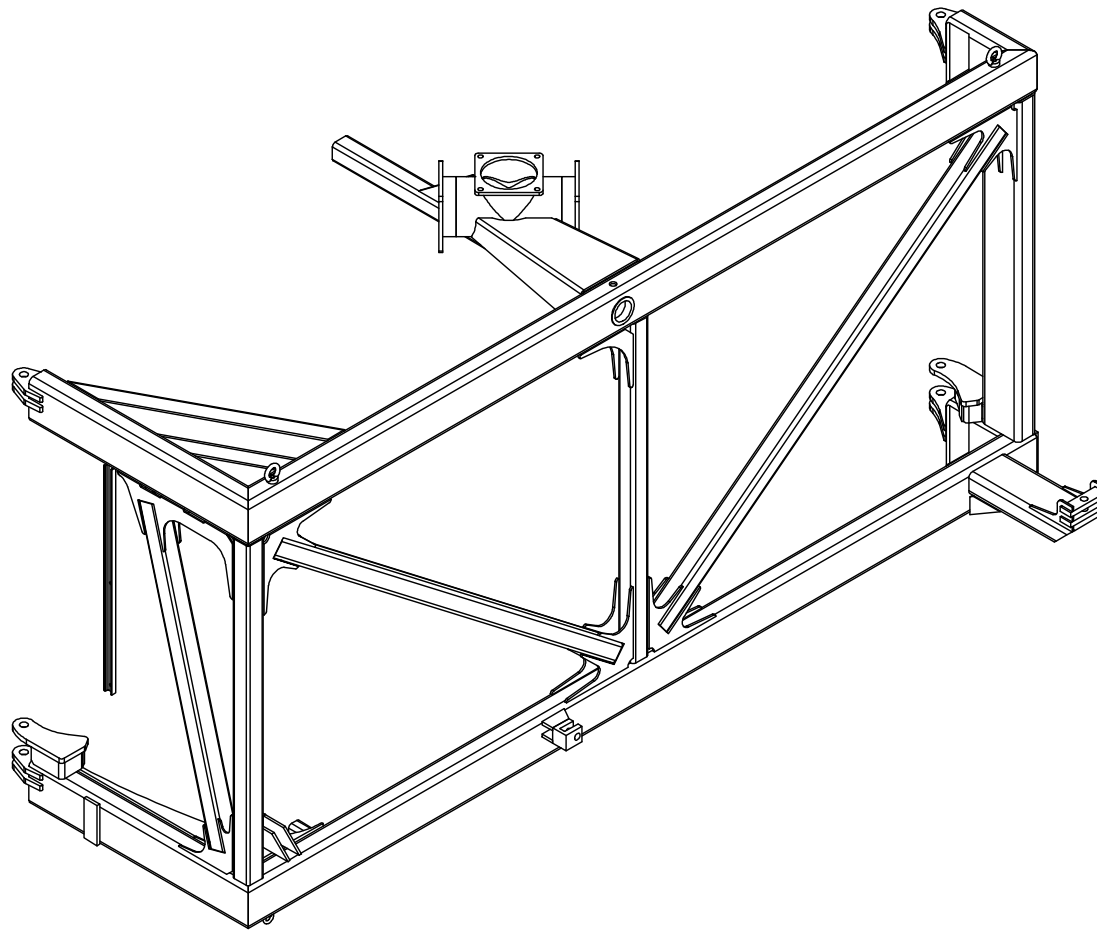
Pos.	Denomination	Quantity	Part	Page
80.50.2000	Torsion Spring Set Double Torsion Spring with Torsion	1 St	NFE0085	30
80.60	Label Turn off Drive	2 St	VAU.013.00	
80.70	Label Caution: Risk of Hand Injuries 100 mm x 113 mm	2 St	VAU.014	
80.80	Label Operating Instructions	1 St	VAU.133	
80.90	Label Vogelsang Logo	2 St	VAU0046	
80.100		1 St	VAU0120	
90	TeleShift Left/ Right Head or Rear	2 St	STS0011	31
100	Hose Retainer, DropStop Pipe DN 50, Left	1 St	TSZ0081	32
110	Hose Retainer, DropStop Pipe DN 50, Right	1 St	TSZ0080	33
120	Hose Retainer, DropStop Pipe DN 50, On Both Sides	4 St	TSZ0079	34
130	Hose Retainer, DropStop Pipe DN 50, Left	3 St	TSZ.254.T1.TL	35
140	Hose Retainer, DropStop Pipe DN 50, Right	3 St	TSZ.254.T1.TR	36
150	Hose Retainer, DropStop Pipe DN 50, On Both Sides	22 St	TSZ.253.T1	37
160	Hose Retainer, DropStop Pipe DN 50, On Both Sides	10 St	TSZ0068	38
170	Hose Retainer, DropStop Pipe DN 50, On Both Sides	4 St	TSZ.329.T1	39
180	Slide Valve with Actuation 6 inch Pneumatic	1 St	TSZ0063	40
180.3000	Bolt Set	8 St	IBA.030.T8	21
190	Comfort Flow Control Number of Switch Off: Number of CFC per	1 St	TDP0041	41
190.9000	CFC Quick Vent Valve Elbow	8 St	TPV0001	42
200	Assembly Kit DropStop Connection Partial Width/	1 St	ELE0006	43
210	Spiral Hose Ø 50 mm x 4 mm, PVC, 5 bar Transparent Green	155 m	HSC.030	
220	Spiral Hose Ø 40 mm x 3,7 mm, PVC, 6 bar Transparent-Red	16 m	HSC0036	
230	Spiral Hose Ø 50 mm x 4 mm, 1000 mm	48 St	HSC0085	
240	Hose Guide Flat, DN 50	2 St	TSE0068	44
250	Hose Guide Flat, DN 50	2 St	TSE0069	45
260	Hose Guide Flat, DN 50	3 St	TSE0070	46
270	Hose Guide Flat, DN 50	2 St	TSE0071	47
280	Lashing Strap 25 mm x 2000 mm	18 St	TSE.119	
290	Assembly Kit Supporting Frame - Tank	1 St	TSM0056	48
300	Supporting Frame, Installation Parts Compax2	1 St	TSM0071	49

Pos.	Denomination	Quantity	Part	Page
300.8000	Holding and Security Device Steel	1 St	SSB0135	18
300.9000	Mounting Foot Compax2	1 St	TAF.061.TL	50
300.10000	Mounting Foot Compax2	1 St	TAF.061.TR	51
300.11000	Holding and Security Device Boom Compax2	1 St	TAV0011	52
300.13000	Slope Compensation Cylinder \varnothing 50 mm \varnothing 25 mm, 250 mm	1 St	TSE.092.N2	53
300.14000	Oscillation Limiter, Complete Compax2	1 St	TSM0050	54
300.15000	Lower Link Adapter Compax2 , Category 3	2 St	TSM0057	55
300.16000	Assembly Kit Spring	2 St	TSM0181	56
300.18000	Set of Pins \varnothing 20 mm x 63 mm	4 St	TSZ.500	14
300.19000	Set of Pins M 24 x 130 mm	2 St	TSZ0008	57
300.20000	Set of Pins M 24 x 240 mm	2 St	TSZ0110	58
310	Hydraulic Parts Complete Compax2 -15 m	1 St	TEH0170	59
310.13000	Hydraulic Parts Compax2 - 15 m	1 St	TEH0061	60
310.14000	Hydraulic Parts Compax2	1 St	TEH0062	61
310.15000	Hydraulic Parts Compax2	1 St	TEH0063	62
310.16000	Hydraulic Parts Compax2	1 St	TEH0066	63
310.17000	Hydraulic Parts Compax2 - 15 m	1 St	TEH0166	64
310.18000	Hydraulic Parts Compax2	1 St	TEH0167	65
320		1 St	VAU.102	
330	Parts Kit, Stickers SwingUp2/3, SwingUp Farmer ,	1 St	TSZ0020	66
340	Warning Sign Kit with Holder 423 x 423 mm Distance between	1 St	TSE.149	67
350	Cable 6 x 0,75 mm ² , 3,5 m	1 St	EKK0035	
360	Hydraulic Oil Barrel	,44 l	BSS.014	
370	CFC Compressed-Air Supply Compressed Air Supply by	1 St	DVK.001	68
370.1000	Combination Pressure Reducer Hose Tail \varnothing 6 mm, 2083 NI/min	1 St	APV.013	69
380		1 St	SAN2447	



B	
SKDDX	
© Vogelsang GmbH & Co. KG	





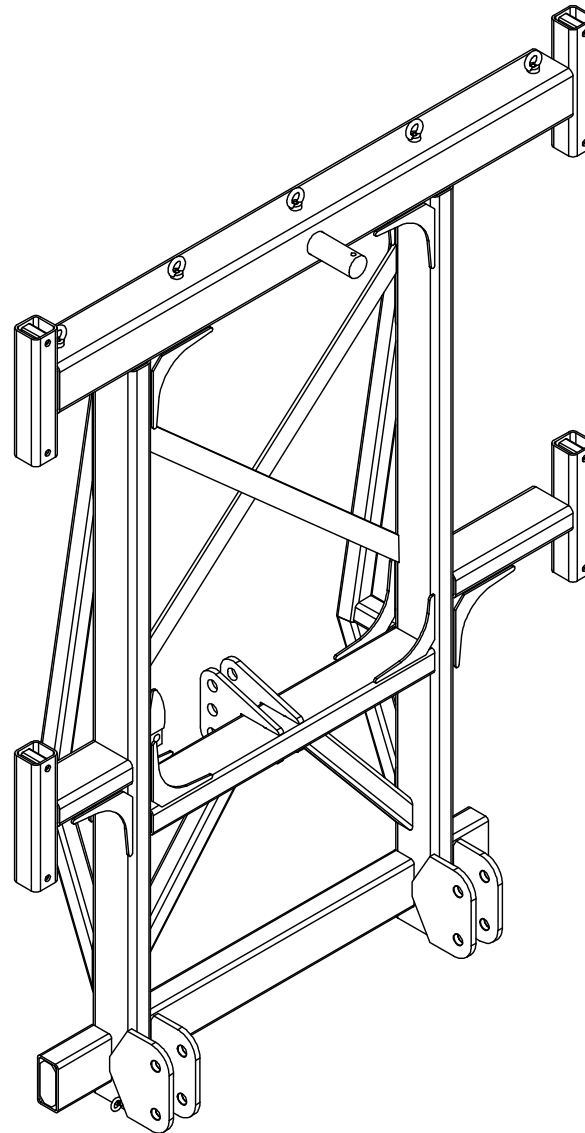
Supporting Frame Compax2
Three-Point Linkage Hot-Dip

B

SSE0384

VOGELSSANG





Supporting Frame Holder
Compax2

B

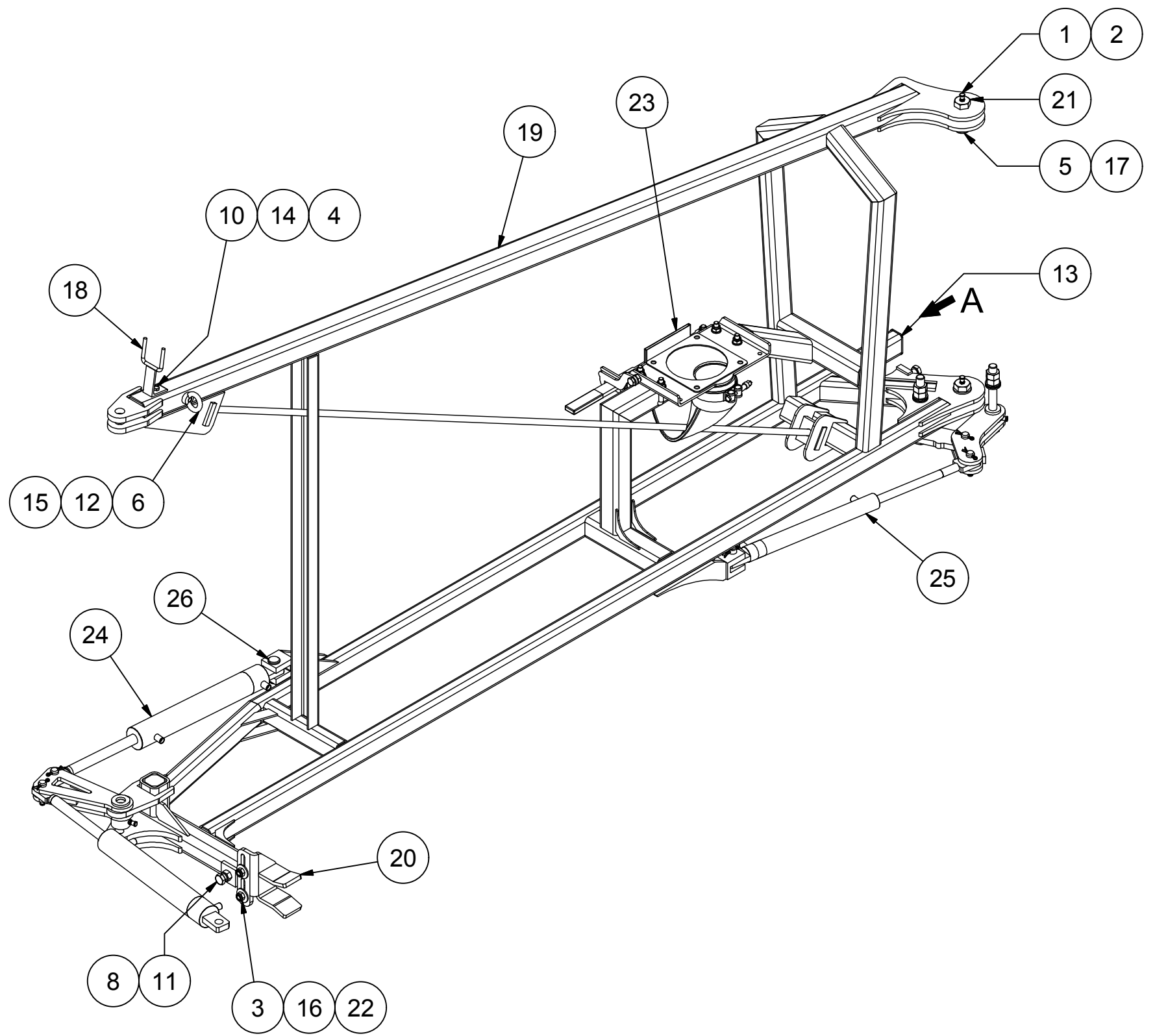
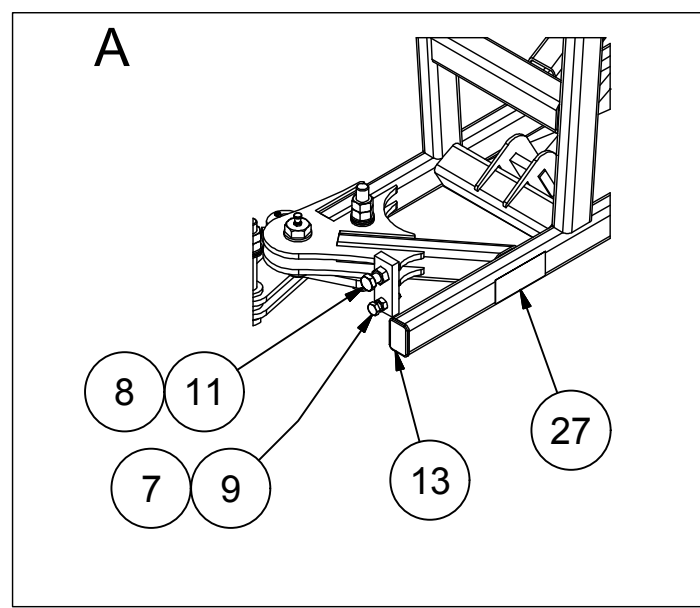
SSE0385

VOGELANG



6 5 4 3 2 1

D D



C C

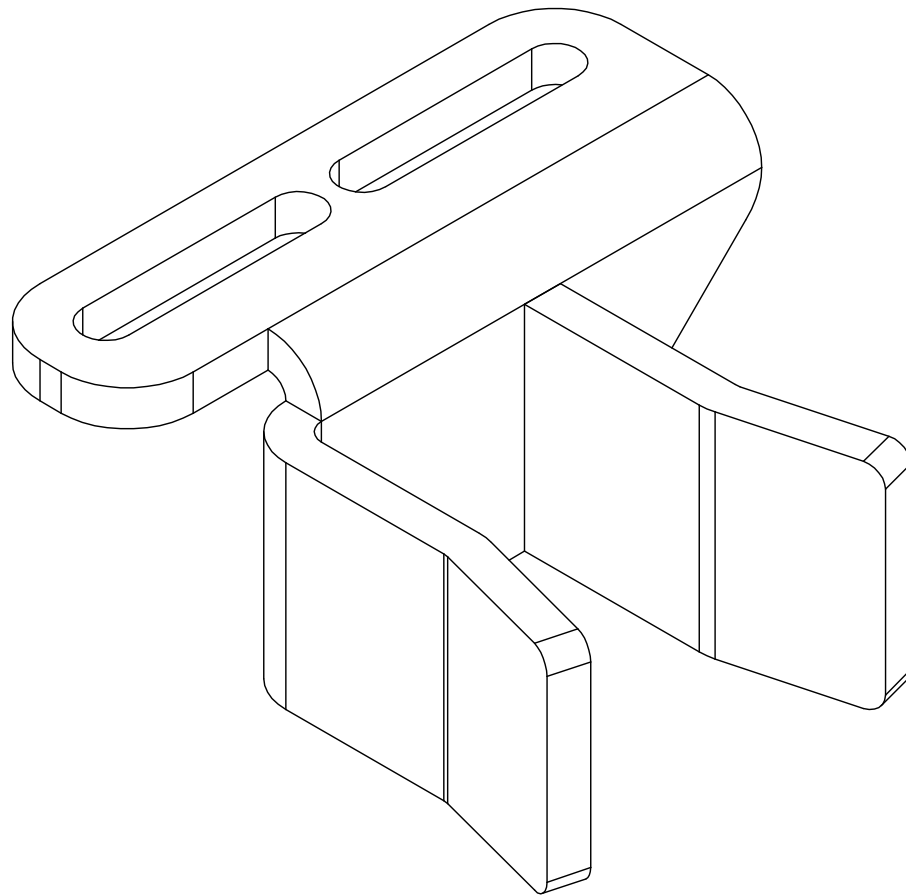
BOM			
Pos.	Qty.	Part	Description
1	2	BKA.001	Grease Nipple Cap Ø 12 mm x 12 mm
2	2	NKS.001	Grease Nipple H1 M 10 x 1 mm
3	2	NMK.002	Hexagon Nut M 12, DIN 985
4	1	NMK.004	Hexagon Nut M 8, DIN 985
5	2	NMK.006	Hexagon Nut M 24, DIN 985
6	1	NMK.009	Ring Nut M 12, DIN 582
7	2	NMS.004	Hexagon Nut M 12, DIN 934
8	3	NMS.006	Hexagon Nut M 16, DIN 934
9	1	NSK.047	Hexagon Head Bolt M 12 x 50 mm, DIN 933
10	1	NSK.062	Hexagon Head Bolt M 8 x 80 mm, DIN 931
11	2	NSK.077	Hexagon Head Bolt M 16 x 60 mm, DIN 933 Steel 8.8
12	1	NSK.176	Hexagon Head Bolt M 12 x 75 mm, DIN 931
13	1	NST.005	Rectangular Plug 60 mm x 40 mm x 14 mm
14	1	NUS.003	Washer A 8,4 mm x 16 mm x 1,6 mm
15	1	NUS.005	Washer A 13,0 mm x 24 mm x 2,5 mm
16	2	NUS.015	Washer A 13,0 mm x 37 mm x 3,0 mm
17	3	NUS.028	Washer A 25,0 mm x 44 mm x 4,0 mm
18	1	SSB0031	Hose Retainer Steel
19	1	SSB0098	Main Boom Compax2 12 m / 15 m
20	1	SSB0122	Holding and Security Device Steel
21	2	TBO0006	Hexagon Head Bolt M 24 x 100 mm, 73 mm
22	1	THA.032	Rectangular Bracket M 12 60 mm x 85 mm, 30 mm
23	1	THM0007	Distributor Holder ECL/ETX
24	1	TSM0175	180° Folding Compax2
25	1	TSM0176	180° Folding Compax2
26	2	TSZ.500	Set of Pins Ø 20 mm x 63 mm
27	1	VAU0007	Label Crushing Hazard and Danger of Impact 112 mm x 46

B B

A A

Boom Compax2 15 m	C	
	TSE0057	
© Vogelsang GmbH & Co. KG		

6 5 4 3 2 1



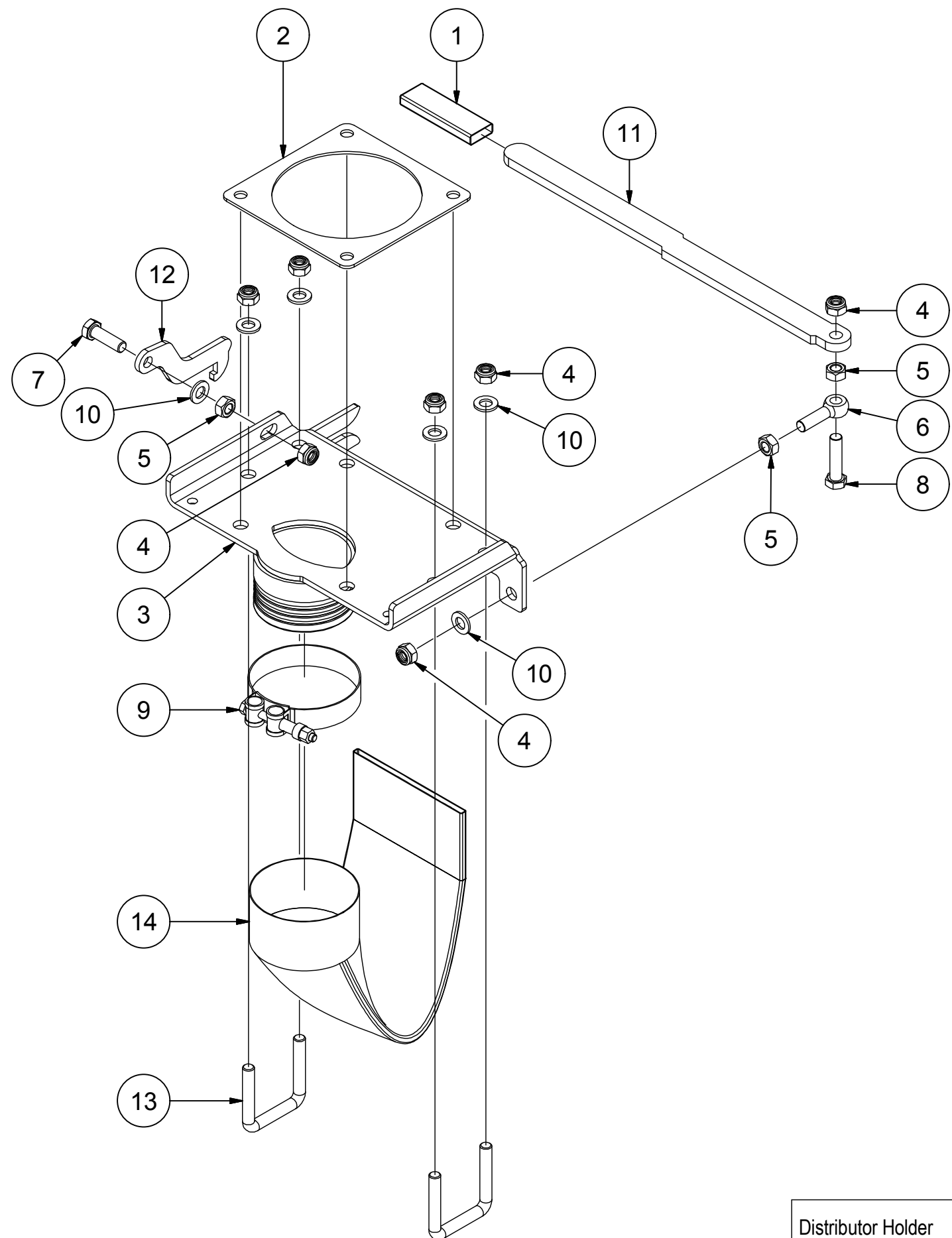
Holding and Security Device
Steel

A

SSB0122

VOGELSANG





BOM			
Pos.	Qty.	Part	Description
1	1	BHA.004	Handhold 30 mm x 8 mm, 100 mm
2	1	DFD.018	Flat Gasket Square Flange
3	1	IBS4311	Holder Steel
4	7	NMK.002	Hexagon Nut M 12, DIN 985
5	3	NMS.004	Hexagon Nut M 12, DIN 934
6	1	NSH.014	Eye Bolt M 12 x 50 mm, DIN 444 Form B
7	1	NSK.030	Hexagon Head Bolt M 12 x 40 mm, DIN 933
8	1	NSK.047	Hexagon Head Bolt M 12 x 50 mm, DIN 933
9	1	NSS.004	Clamping Jaws Maximum Clamping Range: 112 mm
10	6	NUS.005	Washer A 13,0 mm x 24 mm x 2,5 mm
11	1	RFL.1181	Lever Handle 10 mm, 1.0038
12	1	RFL.697	Catch Hook 6 mm 1.0038
13	2	THA.028	Rectangular Bracket M 12 60 mm x 70 mm, 30 mm
14	1	ZHSC001.0600	

Distributor Holder
ECL/ETX

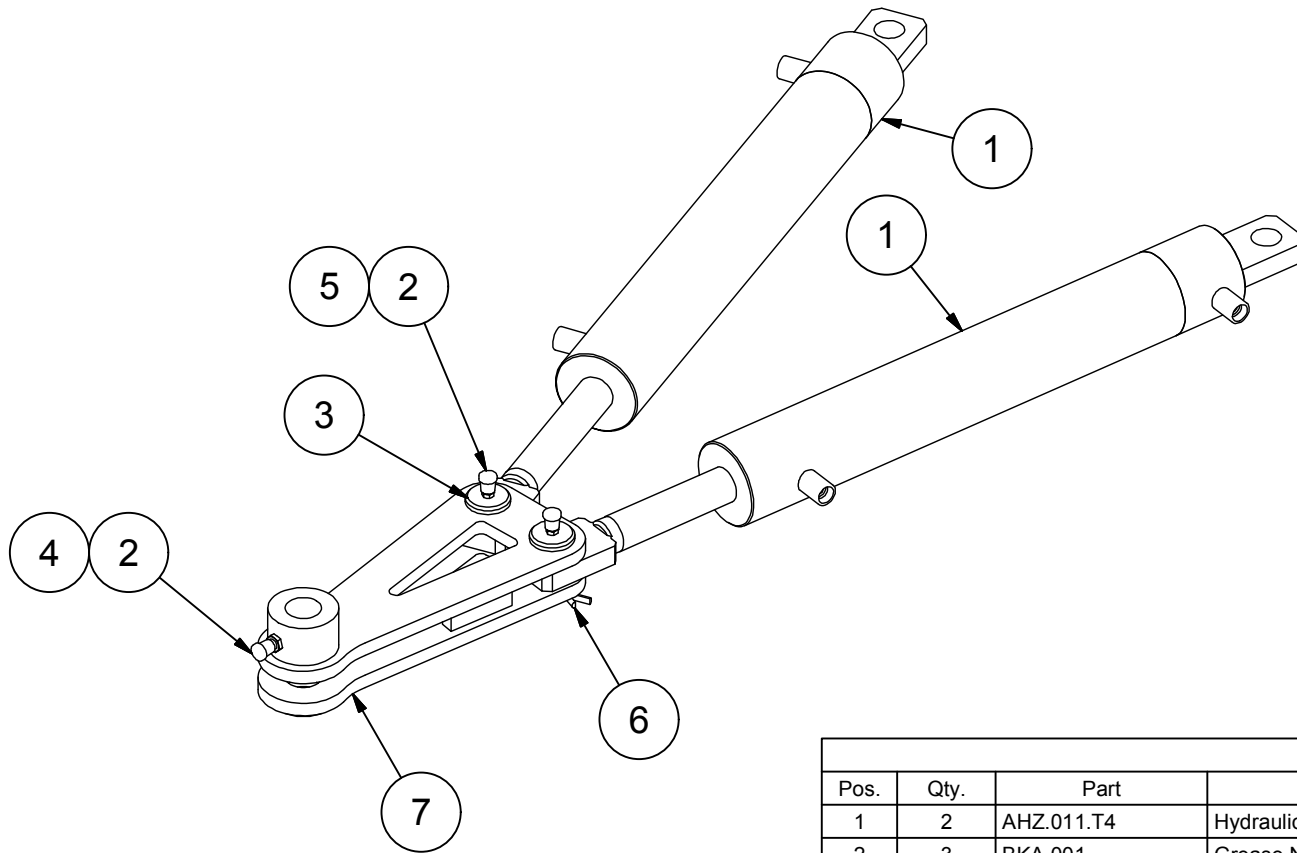
A

THM007

© Hugo Vogelsang Maschinenbau GmbH.

VOGELANG





BOM			
Pos.	Qty.	Part	Description
1	2	AHZ.011.T4	Hydraulic Cylinder Ø 50 mm Ø 25 mm, 300 mm
2	3	BKA.001	Grease Nipple Cap Ø 12 mm x 12 mm
3	2	NBO.006.T1	Spring Cotter Bolt Ø 20 mm x 39 mm
4	1	NKS.001	Grease Nipple H1 M 10 x 1 mm
5	2	NKS.008	Grease Nipple H1 M 6 x 1 mm
6	2	NSP.012	Split Pin Ø 5,0 mm x 40 mm
7	1	SSB0103	Coupling Joint Compax2

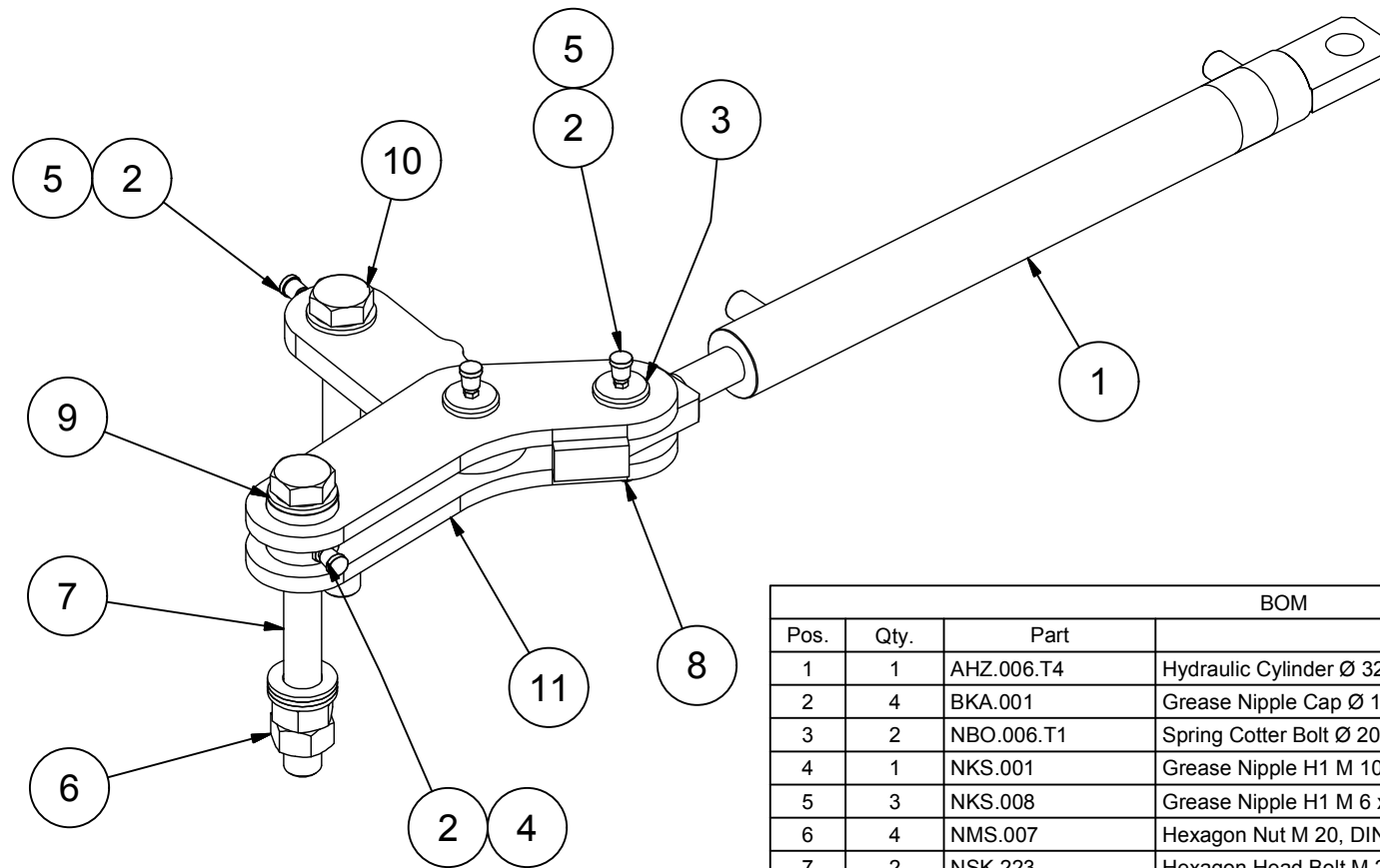
180° Folding
Compax2

B

TSM0175

VOGELSANG





BOM			
Pos.	Qty.	Part	Description
1	1	AHZ.006.T4	Hydraulic Cylinder Ø 32 mm Ø 20 mm, 300 mm
2	4	BKA.001	Grease Nipple Cap Ø 12 mm x 12 mm
3	2	NBO.006.T1	Spring Cotter Bolt Ø 20 mm x 39 mm
4	1	NKS.001	Grease Nipple H1 M 10 x 1 mm
5	3	NKS.008	Grease Nipple H1 M 6 x 1 mm
6	4	NMS.007	Hexagon Nut M 20, DIN 934
7	2	NSK.223	Hexagon Head Bolt M 20 x 180 mm, DIN 931
8	2	NSP.012	Split Pin Ø 5,0 mm x 40 mm
9	8	NUS.008	Washer A 21,0 mm x 37 mm x 3,0 mm
10	1	RFL1784	Joint 15 mm 1.0038
11	1	SSB0131	Joint Steel

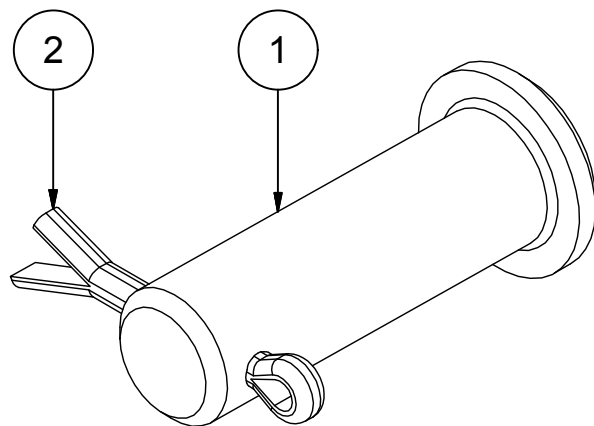
180° Folding
Compax2

C

TSM0176

VOGELSANG





BOM			
Pos.	Qty.	Part	Description
1	1	NBO.008	Spring Cotter Bolt Ø 20 mm x 55 mm
2	1	NSP.012	Split Pin Ø 5,0 mm x 40 mm

Set of Pins
 Ø 20 mm x 63 mm

B

TSZ500

VOGELSANG

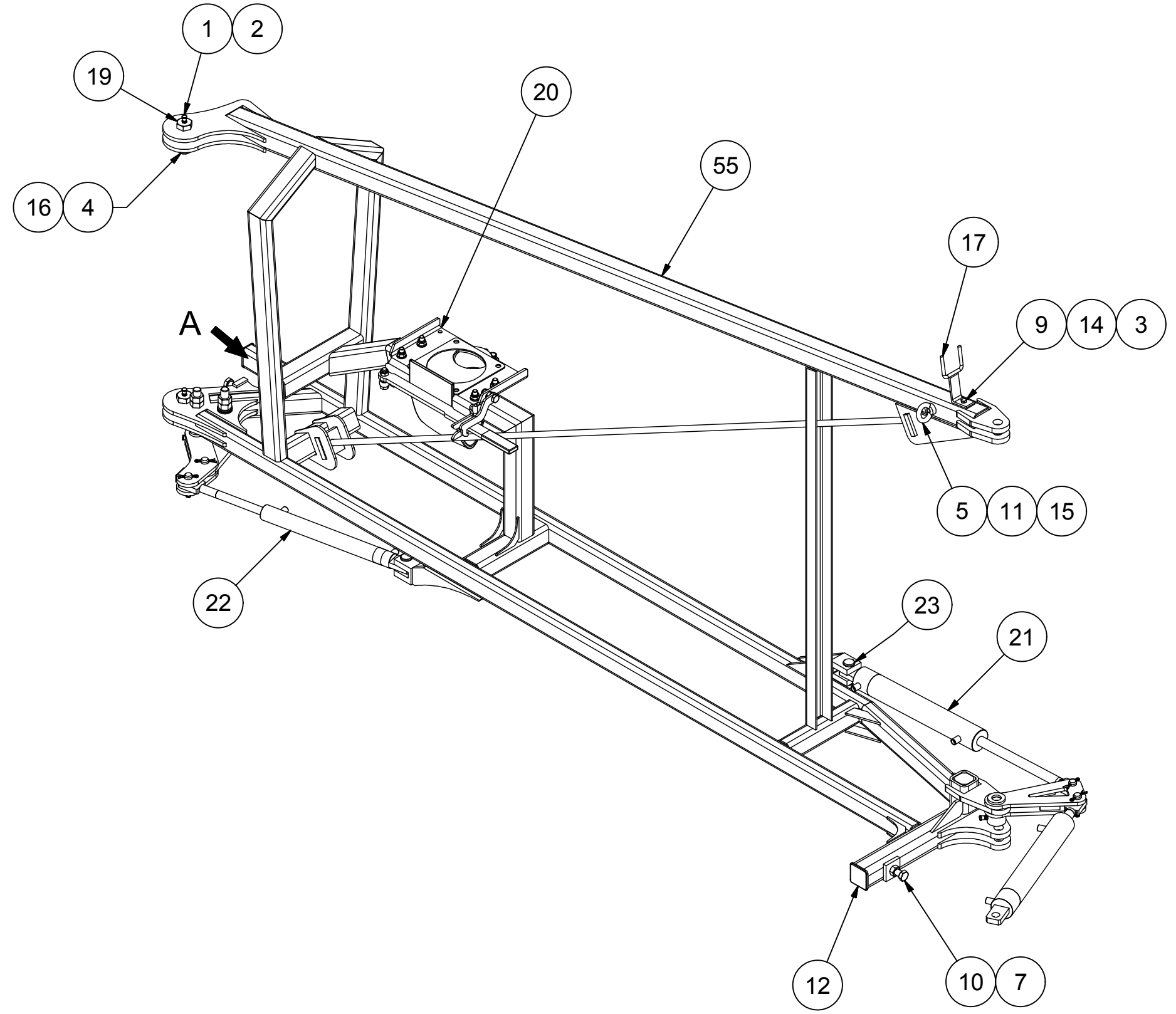
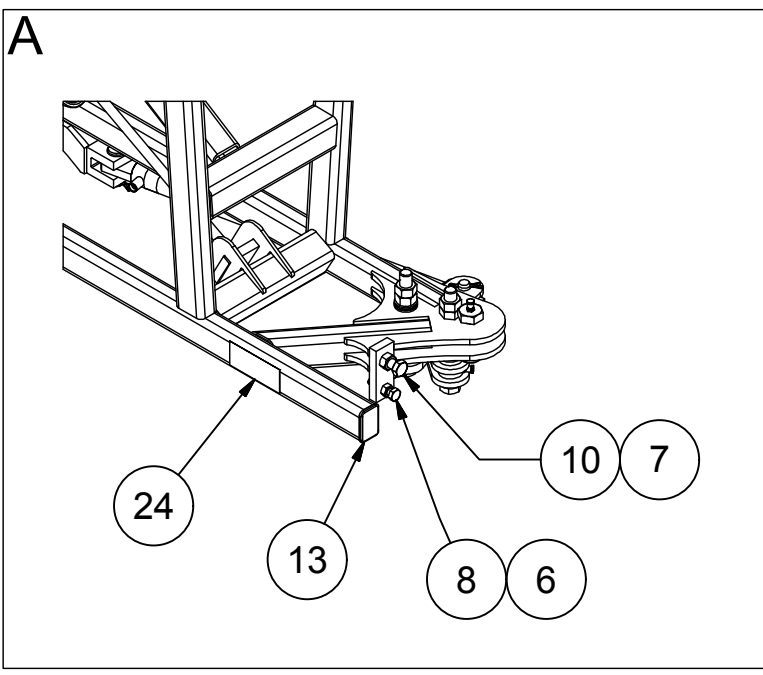


© Hugo Vogelsang Maschinenbau GmbH.

6 5 4 3 2 1

D

D



C

C

B

B

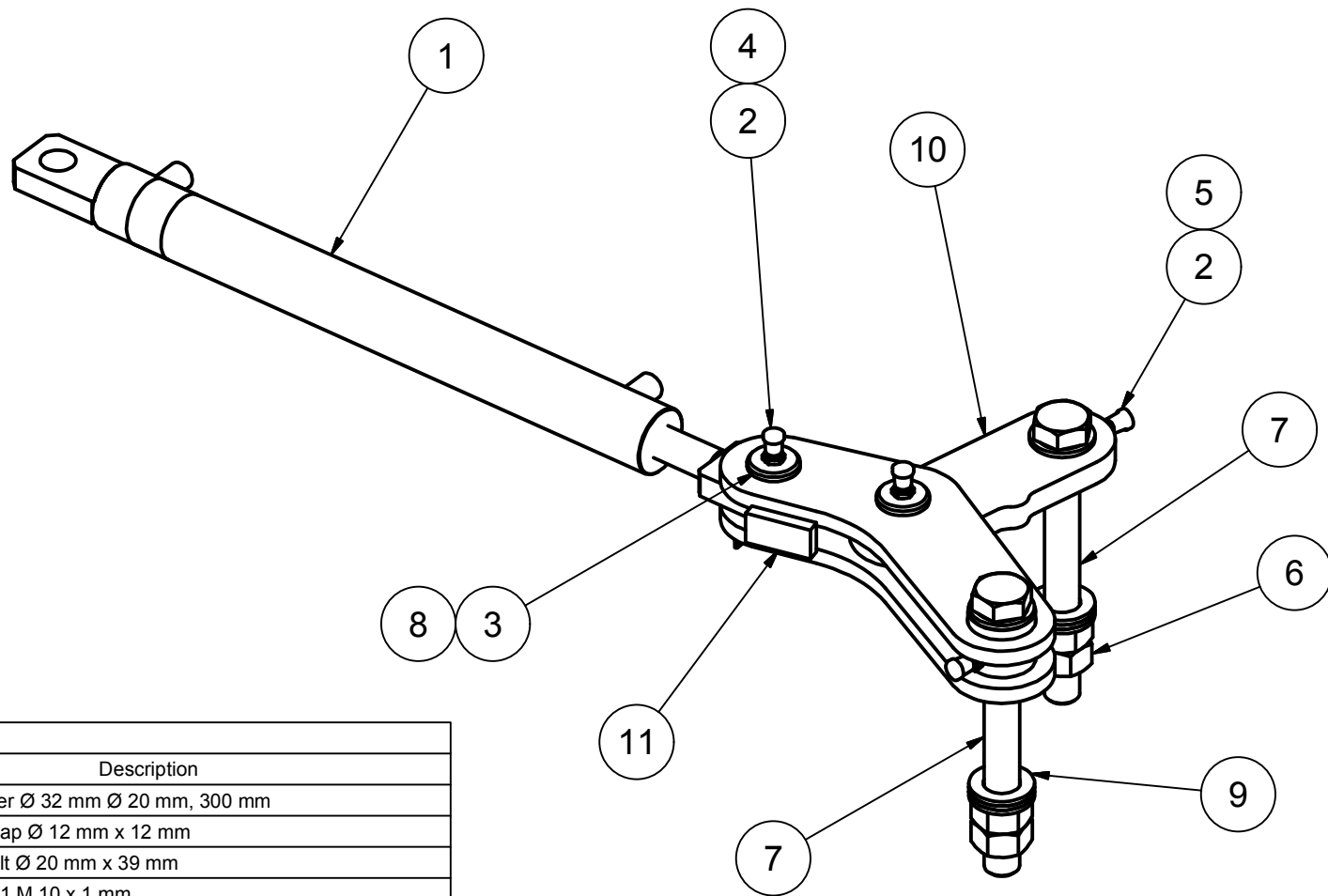
A

A

BOM			
Pos.	Qty.	Part	Description
1	2	BKA.001	Grease Nipple Cap Ø 12 mm x 12 mm
2	2	NKS.001	Grease Nipple H1 M 10 x 1 mm
3	1	NMK.004	Hexagon Nut M 8, DIN 985
4	2	NMK.006	Hexagon Nut M 24, DIN 985
5	1	NMK.009	Ring Nut M 12, DIN 582
6	2	NMS.004	Hexagon Nut M 12, DIN 934
7	3	NMS.006	Hexagon Nut M 16, DIN 934
8	1	NSK.047	Hexagon Head Bolt M 12 x 50 mm, DIN 933
9	1	NSK.062	Hexagon Head Bolt M 8 x 80 mm, DIN 931
10	2	NSK.077	Hexagon Head Bolt M 16 x 60 mm, DIN 933 Steel 8.8
11	1	NSK.176	Hexagon Head Bolt M 12 x 75 mm, DIN 931
12	1	NST.004	Square Plug 60 mm x 60 mm x 14 mm
13	1	NST.005	Rectangular Plug 60 mm x 40 mm x 14 mm
14	1	NUS.003	Washer A 8,4 mm x 16 mm x 1,6 mm
15	1	NUS.005	Washer A 13,0 mm x 24 mm x 2,5 mm
16	2	NUS.028	Washer A 25,0 mm x 44 mm x 4,0 mm
17	1	SSB0031	Hose Retainer Steel
19	2	TBO0006	Hexagon Head Bolt M 24 x 100 mm, 73 mm
20	1	THM0007	Distributor Holder ECL/ETX
21	1	TSM0175	180° Folding Compax2
22	1	TSM0438	180° Folding Compax2
23	2	TSZ.500	Set of Pins Ø 20 mm x 63 mm
24	1	VAU0007	Label Crushing Hazard and Danger of Impact 112 mm x 46
55	1	SSB0099	Main Boom Compax2 12 m / 15 m

Boom Compax2 15 m	C	
	TSE0058	
© Vogelsang GmbH & Co. KG		

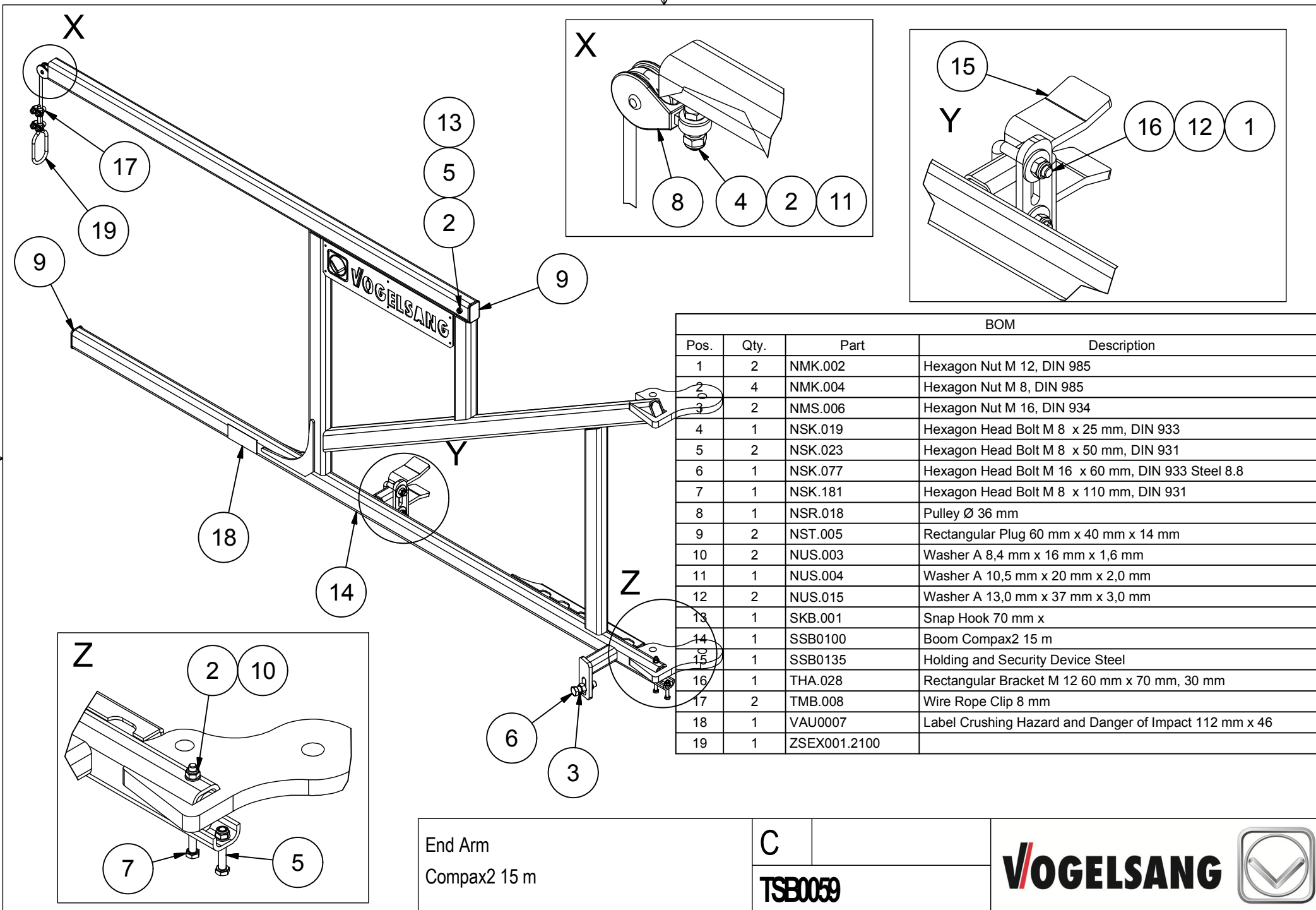
6 5 4 3 2 1



BOM

Pos.	Qty.	Part	Description
1	1	AHZ.006.T4	Hydraulic Cylinder Ø 32 mm Ø 20 mm, 300 mm
2	4	BKA.001	Grease Nipple Cap Ø 12 mm x 12 mm
3	2	NBO.006.T1	Spring Cotter Bolt Ø 20 mm x 39 mm
4	3	NKS.001	Grease Nipple H1 M 10 x 1 mm
5	1	NKS.008	Grease Nipple H1 M 6 x 1 mm
6	4	NMS.007	Hexagon Nut M 20, DIN 934
7	2	NSK.223	Hexagon Head Bolt M 20 x 180 mm, DIN 931
8	2	NSP.012	Split Pin Ø 5,0 mm x 40 mm
9	8	NUS.008	Washer A 21,0 mm x 37 mm x 3,0 mm
10	1	RFL1784	Joint 15 mm 1.0038
11	1	SSB0131	Joint Steel

180° Folding Compax2	A	
	TSM0438	



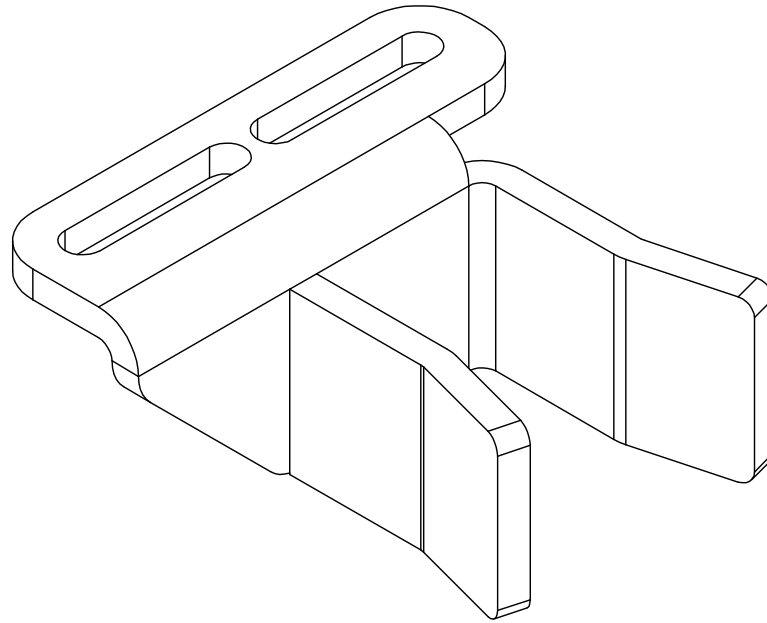
BOM			
Pos.	Qty.	Part	Description
1	2	NMK.002	Hexagon Nut M 12, DIN 985
2	4	NMK.004	Hexagon Nut M 8, DIN 985
3	2	NMS.006	Hexagon Nut M 16, DIN 934
4	1	NSK.019	Hexagon Head Bolt M 8 x 25 mm, DIN 933
5	2	NSK.023	Hexagon Head Bolt M 8 x 50 mm, DIN 931
6	1	NSK.077	Hexagon Head Bolt M 16 x 60 mm, DIN 933 Steel 8.8
7	1	NSK.181	Hexagon Head Bolt M 8 x 110 mm, DIN 931
8	1	NSR.018	Pulley Ø 36 mm
9	2	NST.005	Rectangular Plug 60 mm x 40 mm x 14 mm
10	2	NUS.003	Washer A 8,4 mm x 16 mm x 1,6 mm
11	1	NUS.004	Washer A 10,5 mm x 20 mm x 2,0 mm
12	2	NUS.015	Washer A 13,0 mm x 37 mm x 3,0 mm
13	1	SKB.001	Snap Hook 70 mm x
14	1	SSB0100	Boom Compax2 15 m
15	1	SSB0135	Holding and Security Device Steel
16	1	THA.028	Rectangular Bracket M 12 60 mm x 70 mm, 30 mm
17	2	TMB.008	Wire Rope Clip 8 mm
18	1	VAU0007	Label Crushing Hazard and Danger of Impact 112 mm x 46
19	1	ZSEX001.2100	

End Arm
Compax2 15 m

C

TSB0059





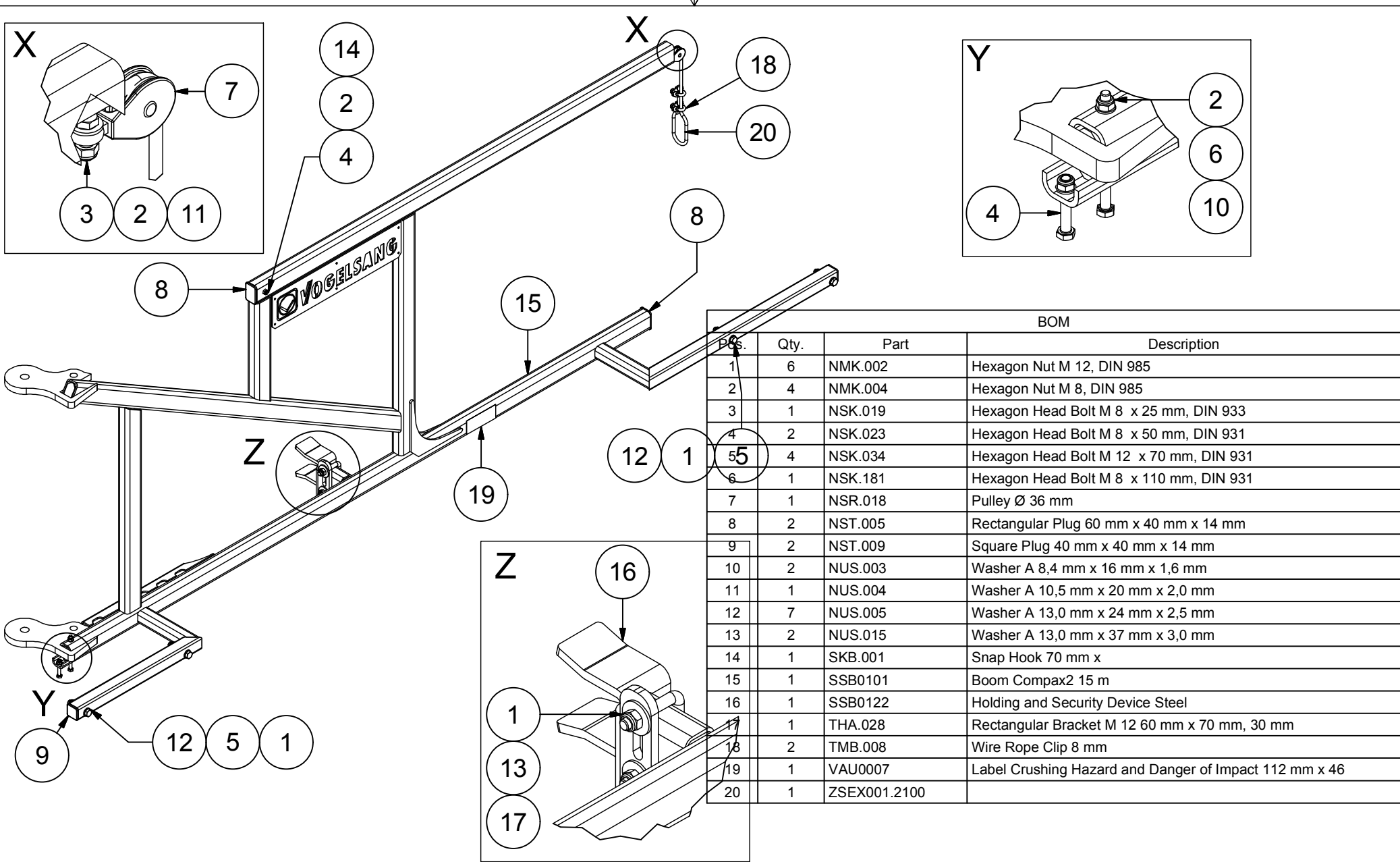
Holding and Security Device
Steel

A

SSE0135

VOGELSANG





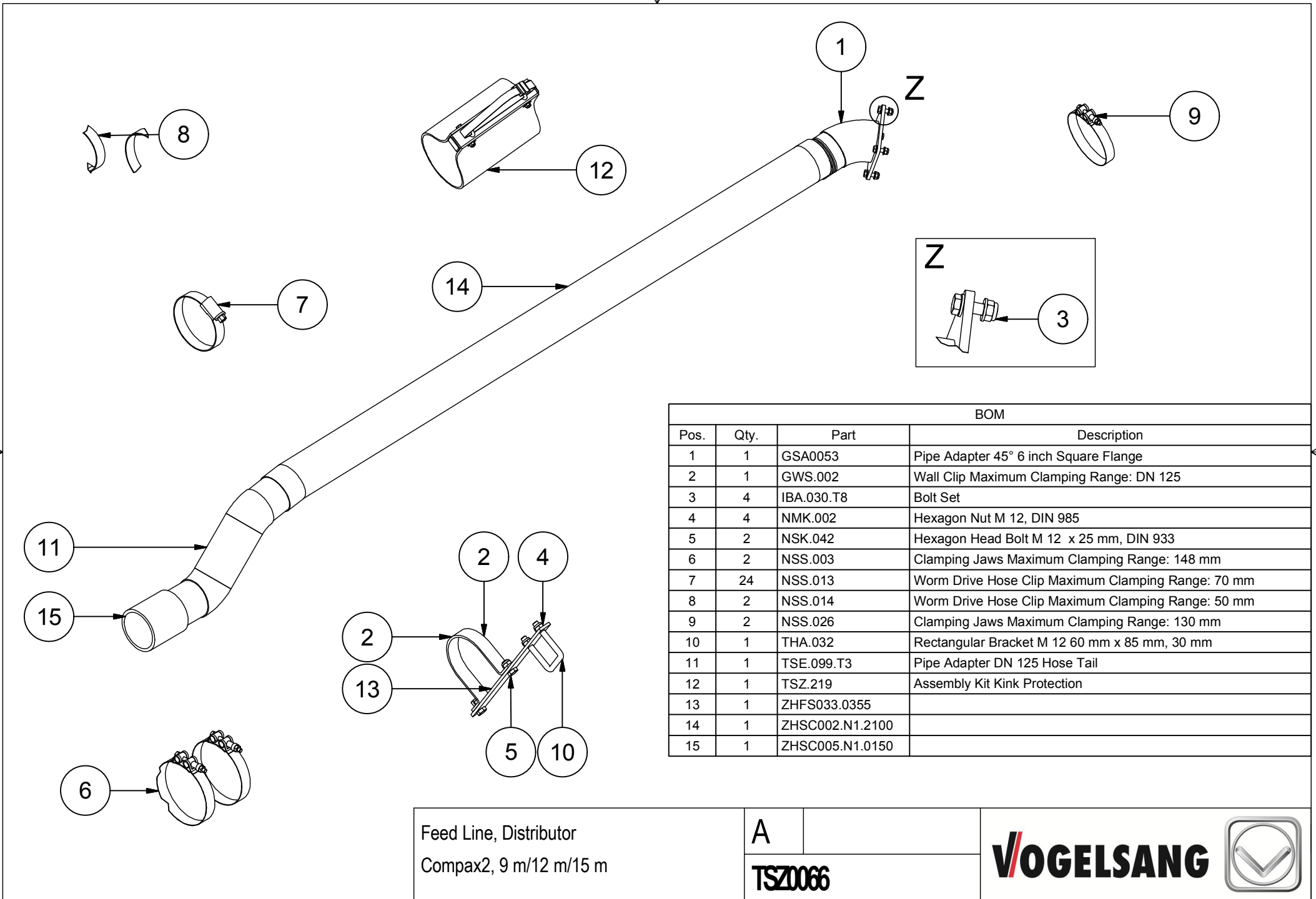
BOM			
Pcs.	Qty.	Part	Description
1	6	NMK.002	Hexagon Nut M 12, DIN 985
2	4	NMK.004	Hexagon Nut M 8, DIN 985
3	1	NSK.019	Hexagon Head Bolt M 8 x 25 mm, DIN 933
4	2	NSK.023	Hexagon Head Bolt M 8 x 50 mm, DIN 931
5	4	NSK.034	Hexagon Head Bolt M 12 x 70 mm, DIN 931
6	1	NSK.181	Hexagon Head Bolt M 8 x 110 mm, DIN 931
7	1	NSR.018	Pulley Ø 36 mm
8	2	NST.005	Rectangular Plug 60 mm x 40 mm x 14 mm
9	2	NST.009	Square Plug 40 mm x 40 mm x 14 mm
10	2	NUS.003	Washer A 8,4 mm x 16 mm x 1,6 mm
11	1	NUS.004	Washer A 10,5 mm x 20 mm x 2,0 mm
12	7	NUS.005	Washer A 13,0 mm x 24 mm x 2,5 mm
13	2	NUS.015	Washer A 13,0 mm x 37 mm x 3,0 mm
14	1	SKB.001	Snap Hook 70 mm x
15	1	SSB0101	Boom Compax2 15 m
16	1	SSB0122	Holding and Security Device Steel
17	1	THA.028	Rectangular Bracket M 12 60 mm x 70 mm, 30 mm
18	2	TMB.008	Wire Rope Clip 8 mm
19	1	VAU0007	Label Crushing Hazard and Danger of Impact 112 mm x 46
20	1	ZSEX001.2100	

End Arm
Compax2 15 m

B

TSB0060

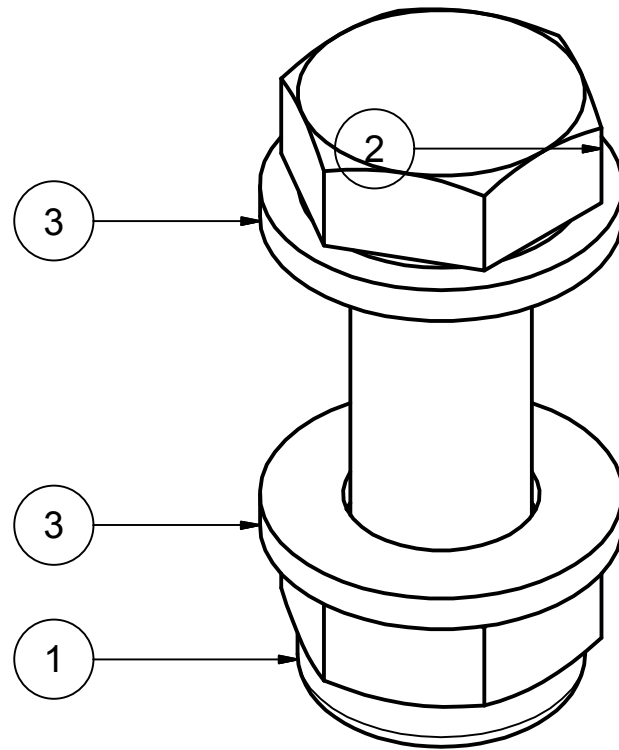




Feed Line, Distributor
Compax2, 9 m/12 m/15 m

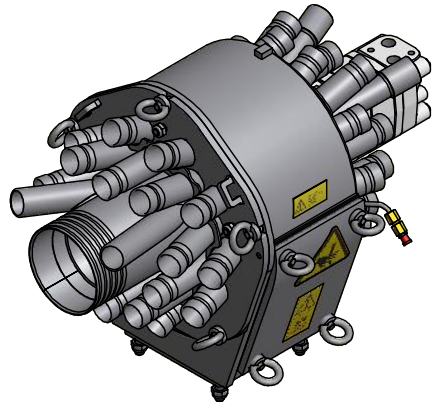
A
TSZ0066





BOM			
Pos.	Qty.	Part	Description
1	1	NMK.002	Hexagon Nut M 12, DIN 985
2	1	NSK.030	Hexagon Head Bolt M 12 x 40 mm, DIN 933
3	2	NUS.005	Washer A 13,0 mm x 24 mm x 2,5 mm

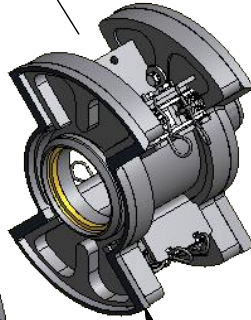
Bolt Set	A	
	IBA030.T8	



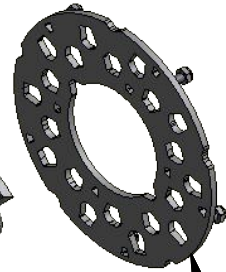
50



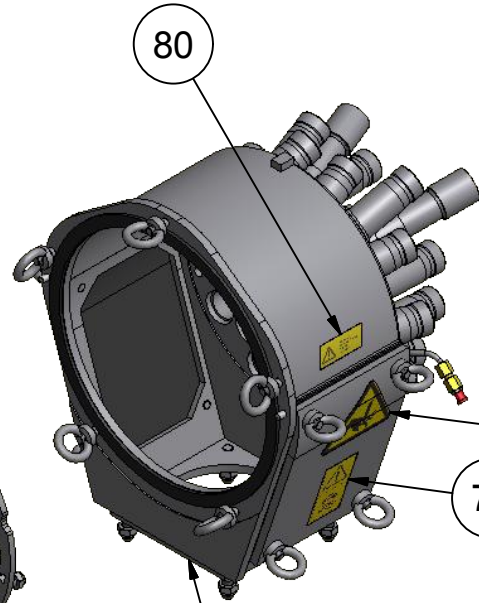
20



30

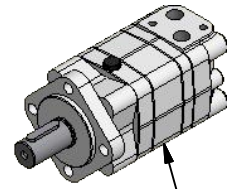


20



80

10



40

60

70

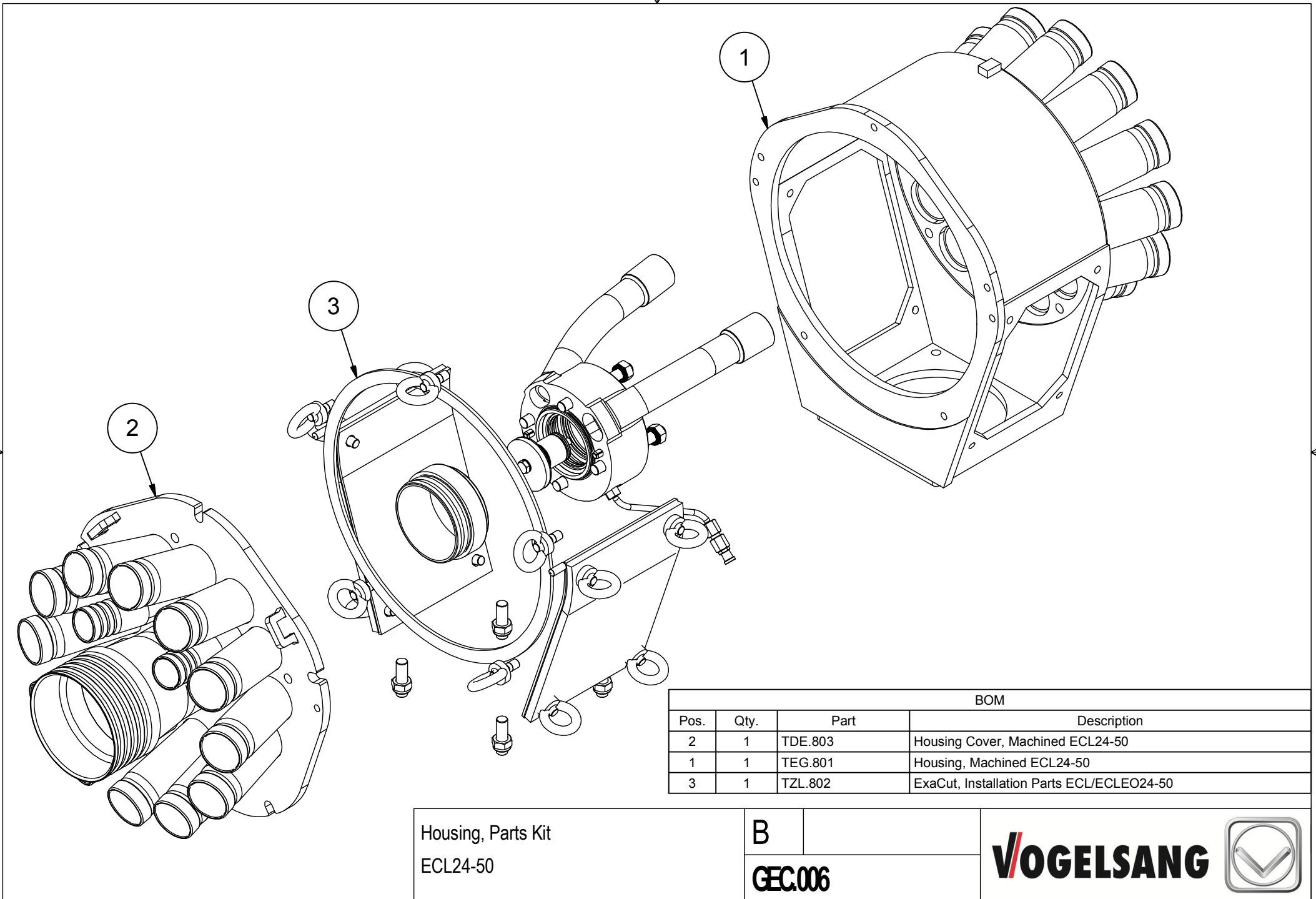
10

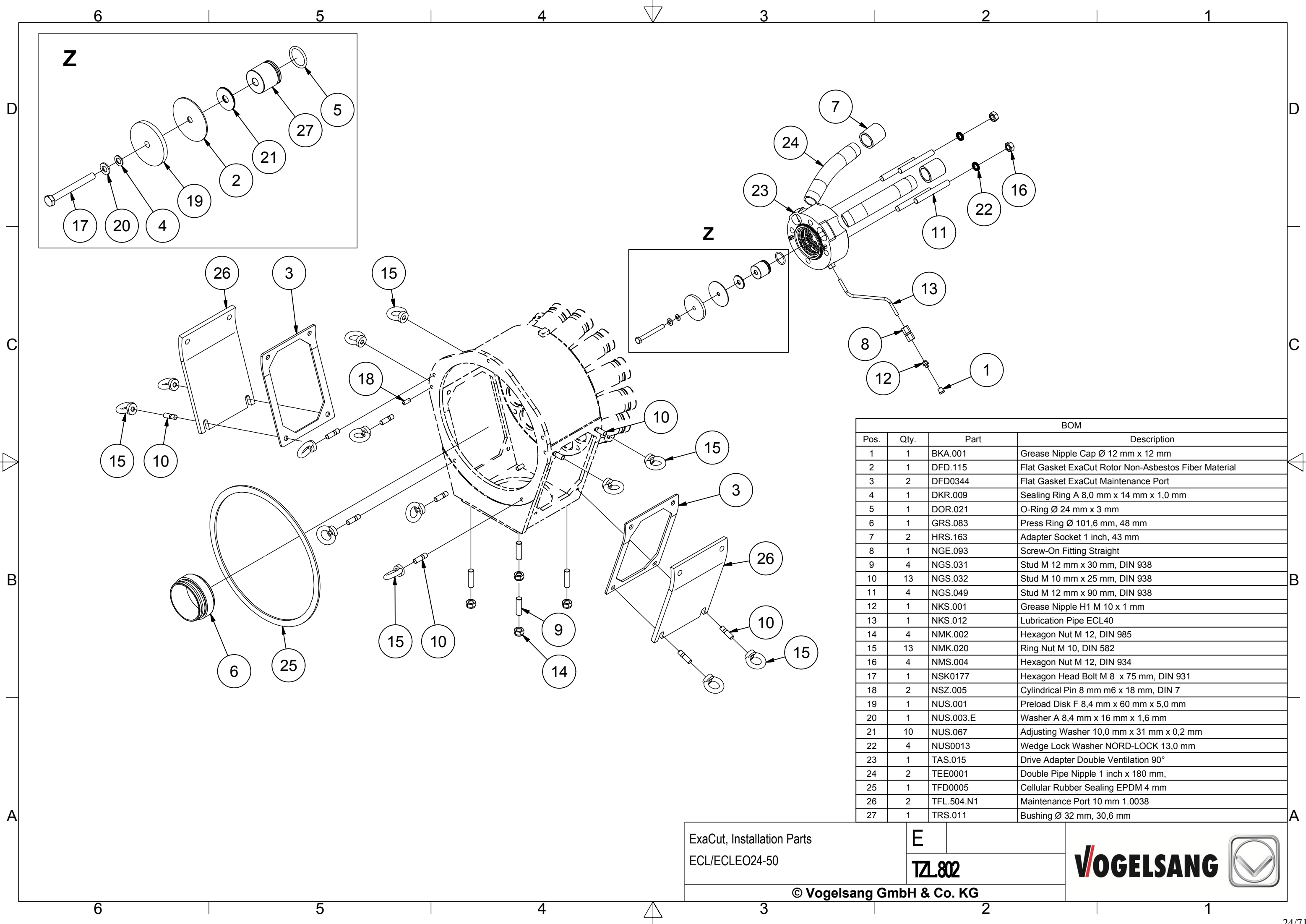
ExaCut ECL40-40
für ETL

A



VOGELSSANG

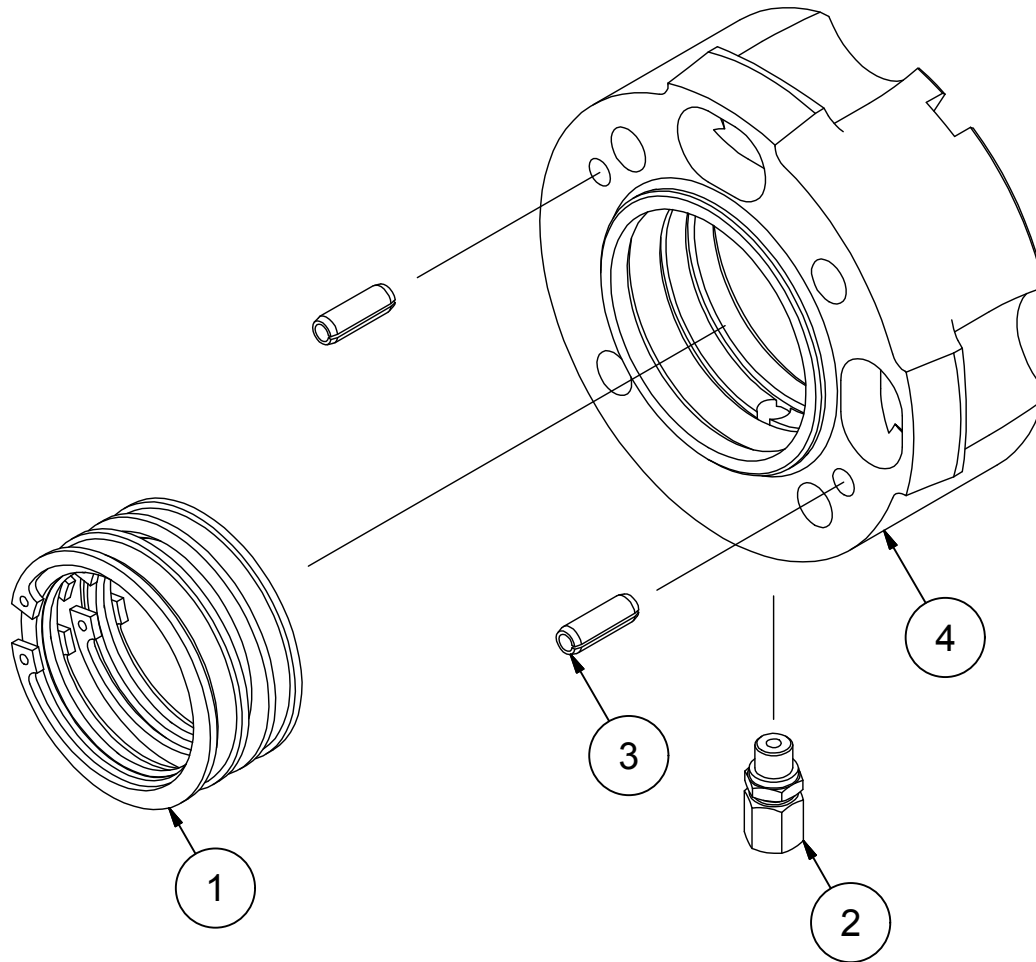






BOM			
Pos.	Qty.	Part	Description
1	1	BKA.001	Grease Nipple Cap Ø 12 mm x 12 mm
2	1	DFD.115	Flat Gasket ExaCut Rotor Non-Asbestos Fiber Material
3	2	DFD0344	Flat Gasket ExaCut Maintenance Port
4	1	DKR.009	Sealing Ring A 8,0 mm x 14 mm x 1,0 mm
5	1	DOR.021	O-Ring Ø 24 mm x 3 mm
6	1	GRS.083	Press Ring Ø 101,6 mm, 48 mm
7	2	HRS.163	Adapter Socket 1 inch, 43 mm
8	1	NGE.093	Screw-On Fitting Straight
9	4	NGS.031	Stud M 12 mm x 30 mm, DIN 938
10	13	NGS.032	Stud M 10 mm x 25 mm, DIN 938
11	4	NGS.049	Stud M 12 mm x 90 mm, DIN 938
12	1	NKS.001	Grease Nipple H1 M 10 x 1 mm
13	1	NKS.012	Lubrication Pipe ECL40
14	4	NMK.002	Hexagon Nut M 12, DIN 985
15	13	NMK.020	Ring Nut M 10, DIN 582
16	4	NMS.004	Hexagon Nut M 12, DIN 934
17	1	NSK0177	Hexagon Head Bolt M 8 x 75 mm, DIN 931
18	2	NSZ.005	Cylindrical Pin 8 mm m6 x 18 mm, DIN 7
19	1	NUS.001	Preload Disk F 8,4 mm x 60 mm x 5,0 mm
20	1	NUS.003.E	Washer A 8,4 mm x 16 mm x 1,6 mm
21	10	NUS.067	Adjusting Washer 10,0 mm x 31 mm x 0,2 mm
22	4	NUS0013	Wedge Lock Washer NORD-LOCK 13,0 mm
23	1	TAS.015	Drive Adapter Double Ventilation 90°
24	2	TEE0001	Double Pipe Nipple 1 inch x 180 mm,
25	1	TFD0005	Cellular Rubber Sealing EPDM 4 mm
26	2	TFL.504.N1	Maintenance Port 10 mm 1.0038
27	1	TRS.011	Bushing Ø 32 mm, 30,6 mm

ExaCut, Installation Parts ECL/ECLEO24-50	E	 
	TZL802	
© Vogelsang GmbH & Co. KG		



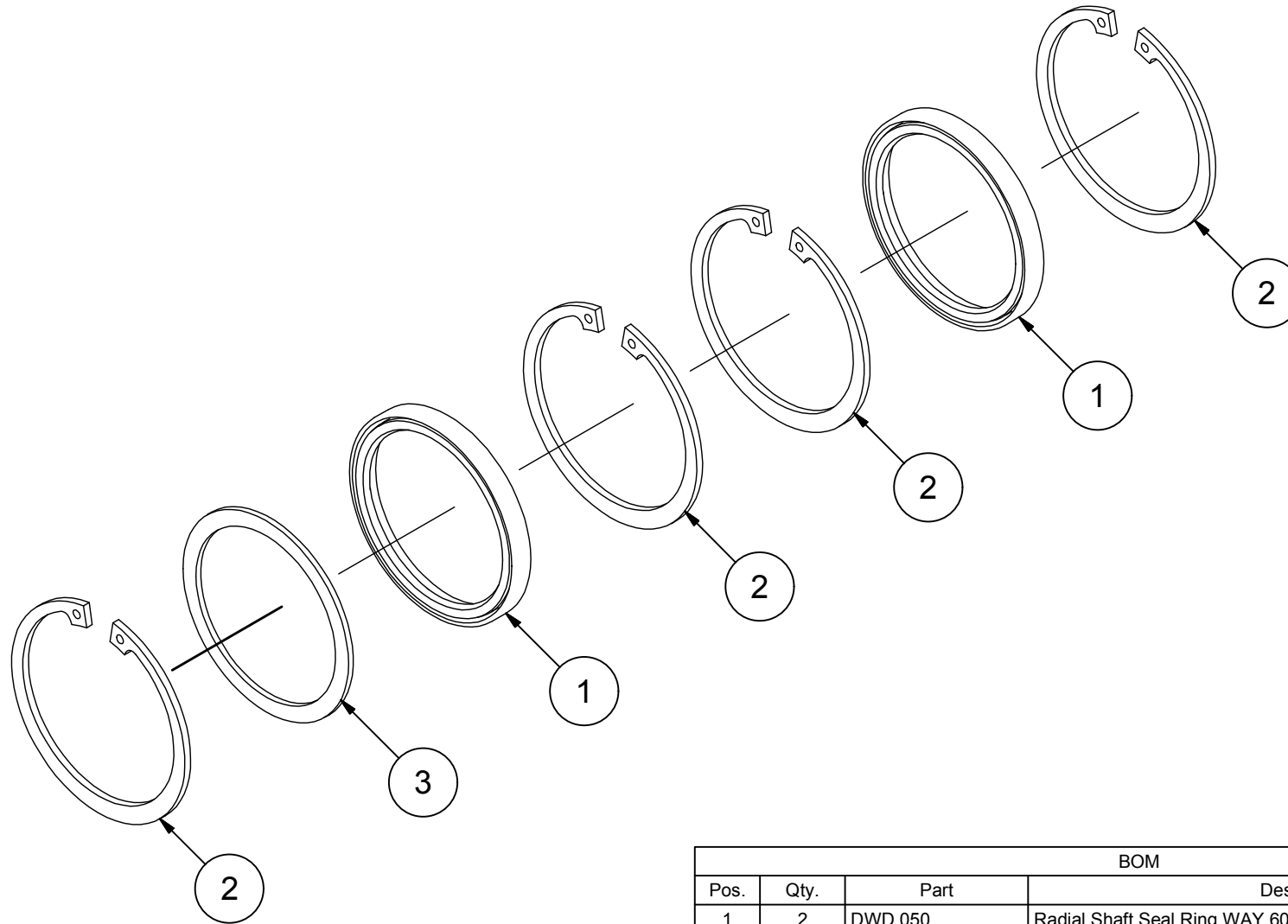
BOM			
Pos.	Qty.	Part	Description
1	1	DDS0016	Seal Kit ExaCut Shaft Diameter Ø 32 mm
2	1	NGE.094	Screw-In Fitting Straight 6 L - M 10 x 1
3	2	NSP.025	Spring Pin 8 mm x 24 mm, ISO 8752
4	1	TRS0016	Drive Adapter Ø 149 mm, 62 mm

Drive Adapter
Double Ventilation 90°

C
TAS015

VOGELSANG





BOM			
Pos.	Qty.	Part	Description
1	2	DWD.050	Radial Shaft Seal Ring WAY 60 mm x 72 mm x 7 mm
2	4	NSR.025	Retaining Ring Ø 72 mm x 2,5 mm
3	1	NUS.060	Washer 60,0 mm x 71,8 mm x 2,0 mm

Seal Kit ExaCut
Shaft Diameter Ø 32 mm

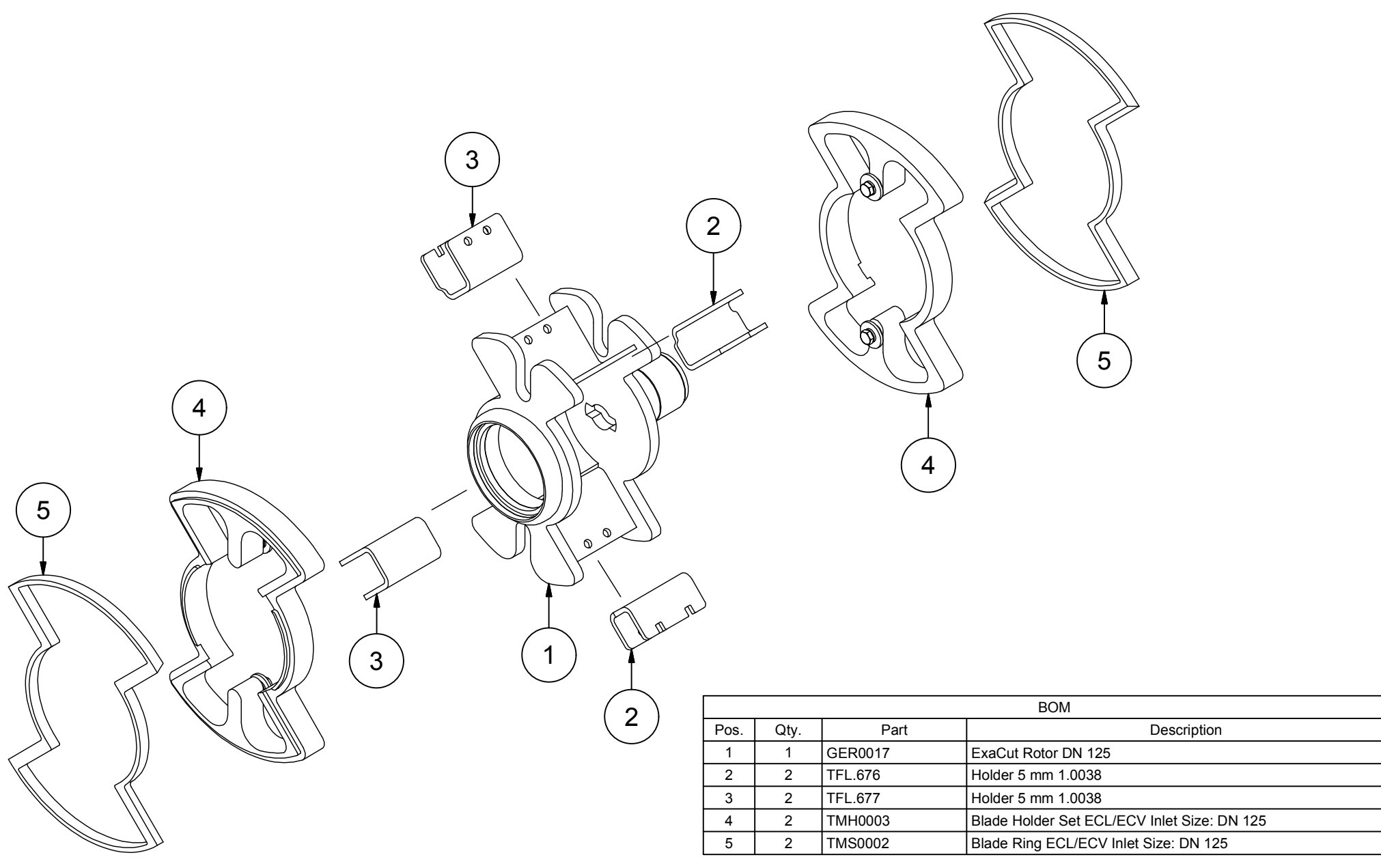
A

DDS0016

VOGELSANG



© Hugo Vogelsang Maschinenbau GmbH.



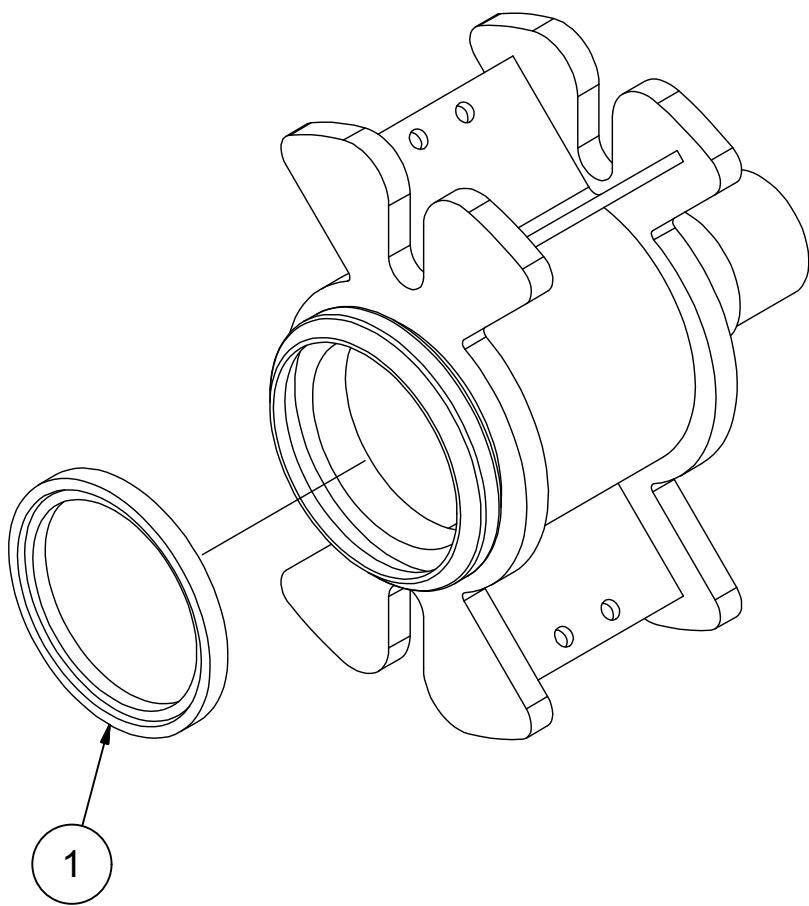
BOM			
Pos.	Qty.	Part	Description
1	1	GER0017	ExaCut Rotor DN 125
2	2	TFL.676	Holder 5 mm 1.0038
3	2	TFL.677	Holder 5 mm 1.0038
4	2	TMH0003	Blade Holder Set ECL/ECV Inlet Size: DN 125
5	2	TMS0002	Blade Ring ECL/ECV Inlet Size: DN 125

ExaCut Rotor
DN 125

A
GER001

VOGELSANG





1

ExaCut Rotor
DN 125

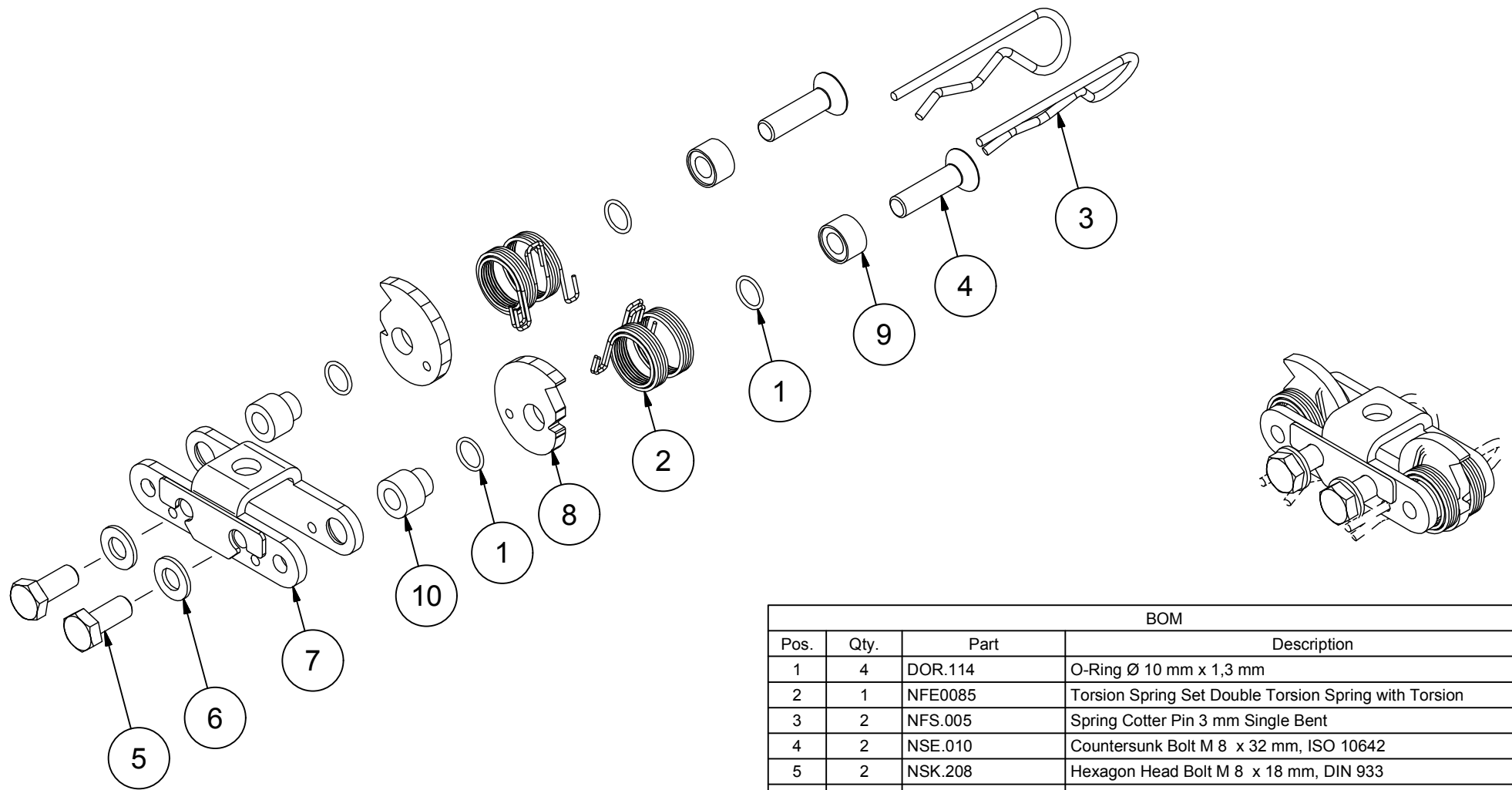
BOM			
Pos.	Qty.	Part	Description
1	1	DFD.116	Sealing Ring ECL/ ECV MH24-45 Lubricated under Vacuum
2	1	NIR.023	Inner Ring Ø 55 mm x Ø 60 mm x 35 mm
3	1	TR0.708	Rotor, Machined ECL, Inlet Size DN 125

GER0017

VOGELSANG



© Hugo Vogelsang Maschinenbau GmbH.



BOM			
Pos.	Qty.	Part	Description
1	4	DOR.114	O-Ring Ø 10 mm x 1,3 mm
2	1	NFE0085	Torsion Spring Set Double Torsion Spring with Torsion
3	2	NFS.005	Spring Cotter Pin 3 mm Single Bent
4	2	NSE.010	Countersunk Bolt M 8 x 32 mm, ISO 10642
5	2	NSK.208	Hexagon Head Bolt M 8 x 18 mm, DIN 933
6	2	NUS.003.E	Washer A 8,4 mm x 16 mm x 1,6 mm
7	1	TEA.012	Support Bracket 1.4301
8	2	TFL.566.N2	Eccentric for Adjuster 4,75 mm 1.4034
9	2	TRS.025.N1	Turned Part, Raw Part Ø 14,4 mm x 8,9 mm
10	2	TRS.026.N1	Turned Part, Raw Part Ø 14,4 mm x 15,1 mm

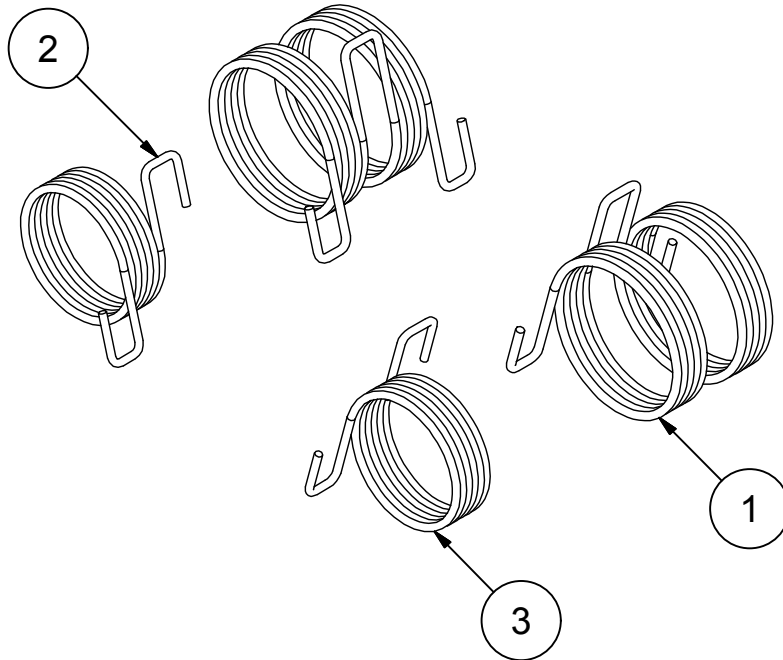
Eccentric Adjuster ECL/ECV
75%

C

TEV.005.N1.T1

VOGELSANG





BOM			
Pos.	Qty.	Part	Description
1	2	NFE.042	Double Torsion Spring 1,2 mm x 21,5 mm
2	1	NFE.040	Torsion Spring 1,1 mm x 18,4 mm
3	1	NFE.041	Torsion Spring 1,1 mm x 18,4 mm

Torsion Spring Set Double
Torsion Spring with Torsion

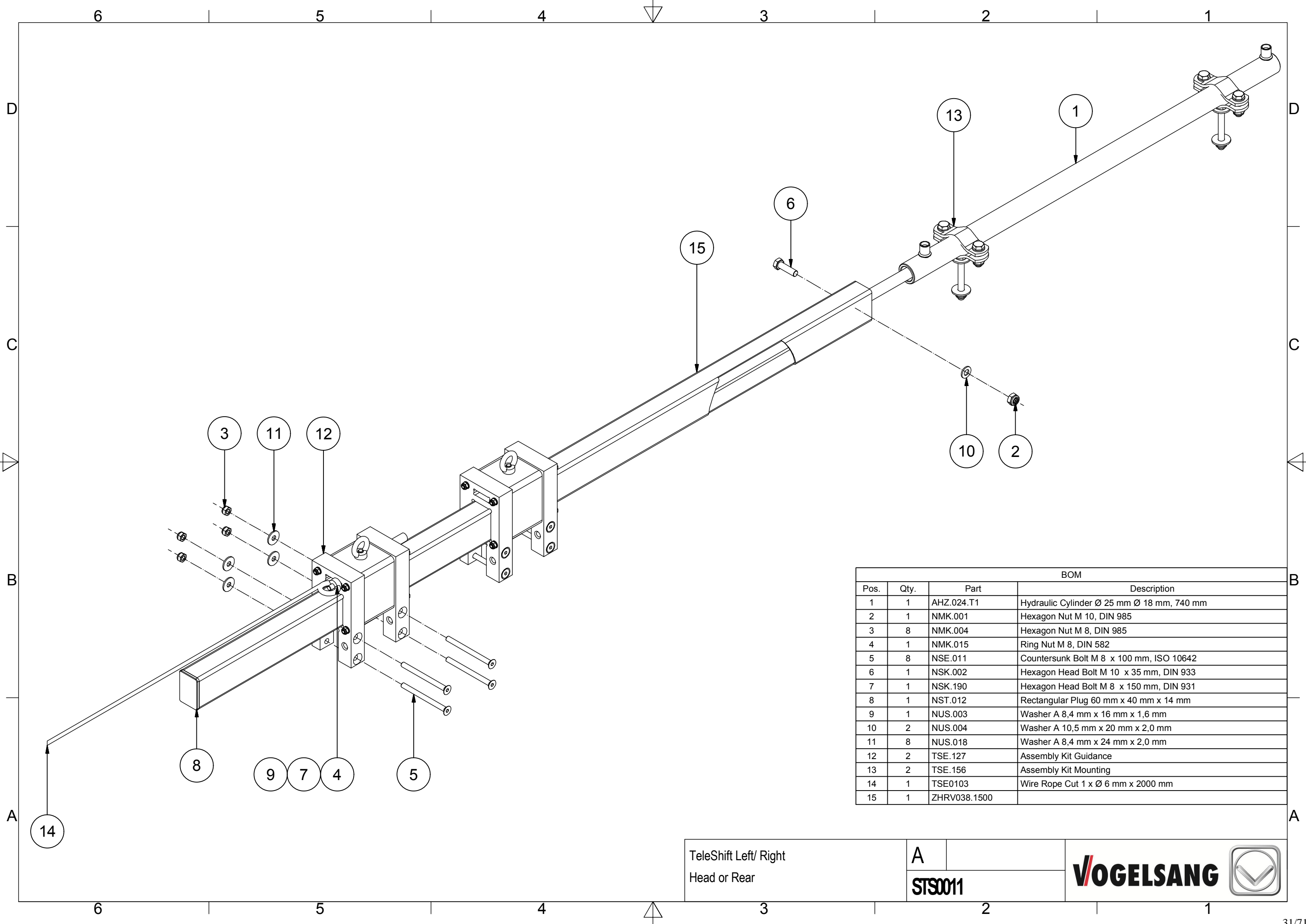
A

NFE0085

VOGELSANG



© Hugo Vogelsang Maschinenbau GmbH.

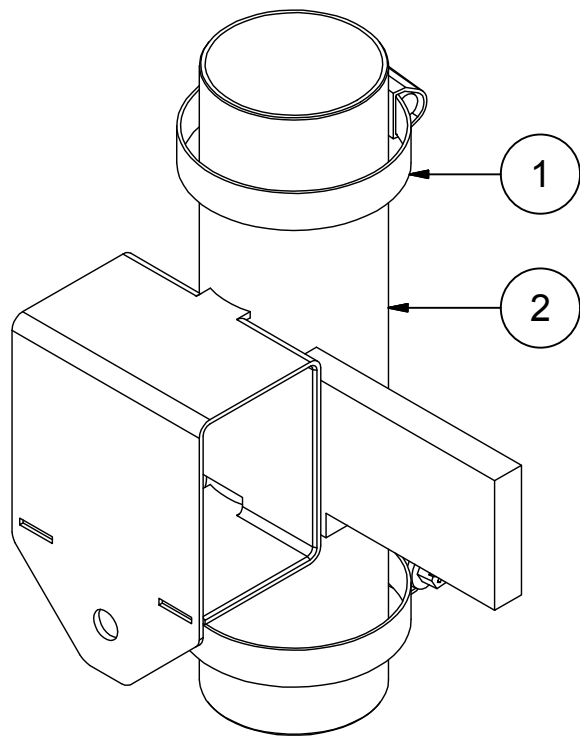


BOM			
Pos.	Qty.	Part	Description
1	1	AHZ.024.T1	Hydraulic Cylinder Ø 25 mm Ø 18 mm, 740 mm
2	1	NMK.001	Hexagon Nut M 10, DIN 985
3	8	NMK.004	Hexagon Nut M 8, DIN 985
4	1	NMK.015	Ring Nut M 8, DIN 582
5	8	NSE.011	Countersunk Bolt M 8 x 100 mm, ISO 10642
6	1	NSK.002	Hexagon Head Bolt M 10 x 35 mm, DIN 933
7	1	NSK.190	Hexagon Head Bolt M 8 x 150 mm, DIN 931
8	1	NST.012	Rectangular Plug 60 mm x 40 mm x 14 mm
9	1	NUS.003	Washer A 8,4 mm x 16 mm x 1,6 mm
10	2	NUS.004	Washer A 10,5 mm x 20 mm x 2,0 mm
11	8	NUS.018	Washer A 8,4 mm x 24 mm x 2,0 mm
12	2	TSE.127	Assembly Kit Guidance
13	2	TSE.156	Assembly Kit Mounting
14	1	TSE0103	Wire Rope Cut 1 x Ø 6 mm x 2000 mm
15	1	ZHRV038.1500	

TeleShift Left/ Right
Head or Rear

A
STS0011





BOM			
Pos.	Qty.	Part	Description
1	2	NSS.072	Worm Drive Hose Clip Maximum Clamping Range: 60 mm
2	1	TSE0065	Hose Retainer, DropStop Pipe Type 5, Straight

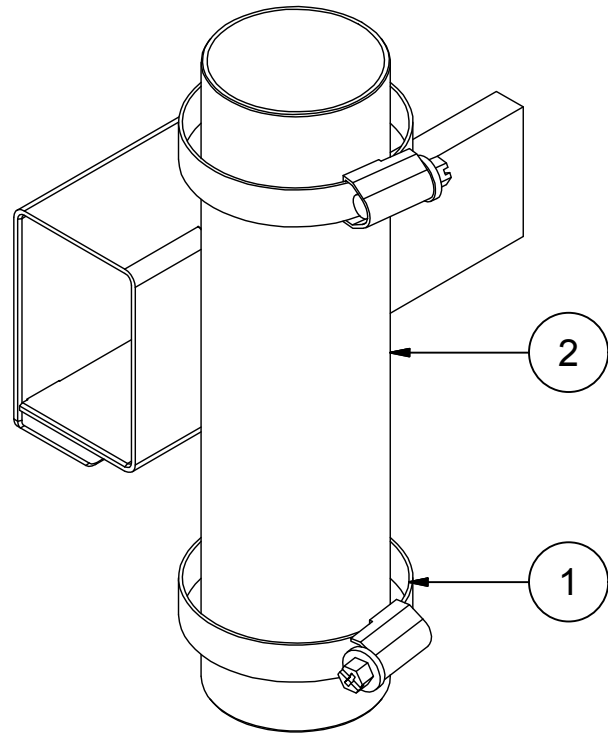
Hose Retainer, DropStop
Pipe
DN 50, Left

B

TSZ0081

VOGELSANG





BOM			
Pos.	Qty.	Part	Description
1	2	NSS.072	Worm Drive Hose Clip Maximum Clamping Range: 60 mm
2	1	TSE0064	Hose Retainer, DropStop Pipe Type 5, Straight

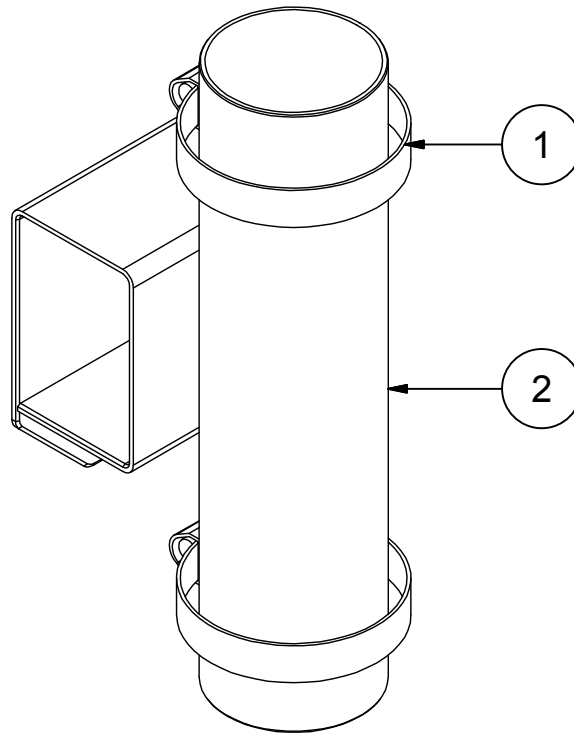
Hose Retainer, DropStop Pipe
DN 50, Right

A

TSZ0080

VOGELSANG





BOM			
Pos.	Qty.	Part	Description
1	2	NSS.072	Worm Drive Hose Clip Maximum Clamping Range: 60 mm
2	1	TSE0063	Hose Retainer, DropStop Pipe Type 5, Straight

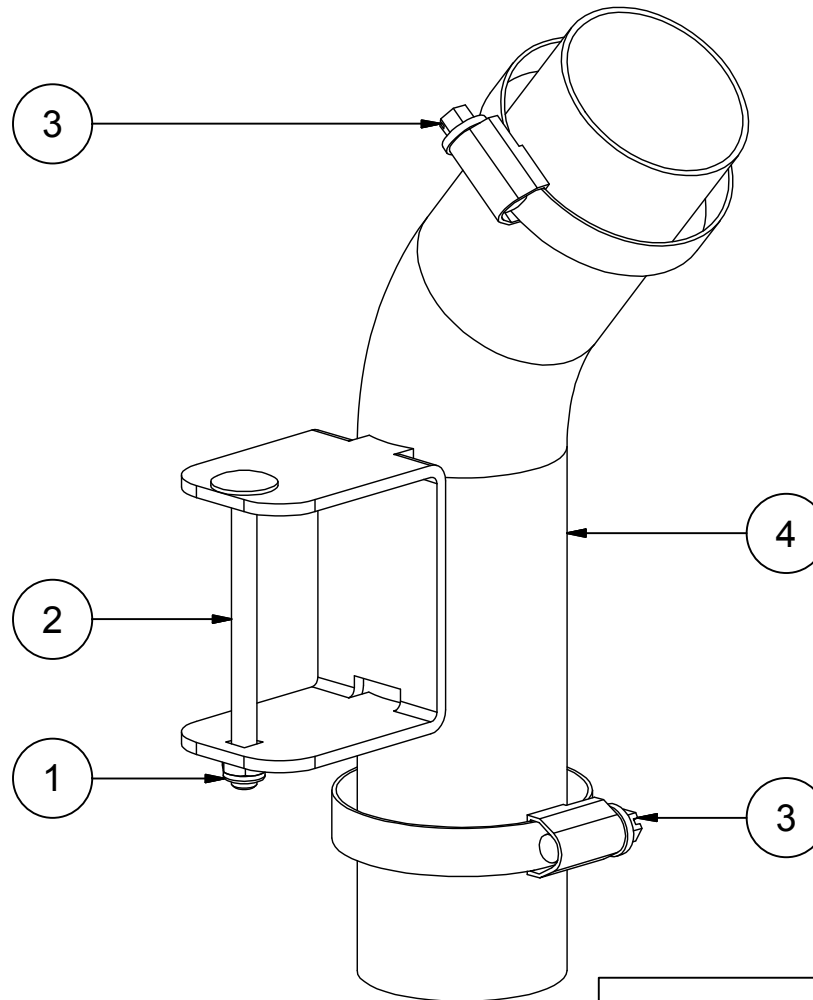
Hose Retainer, DropStop Pipe
 DN 50, On Both
 Sides

A

TSZ0079

VOGELSANG





BOM			
Pos.	Qty.	Part	Description
1	1	NMK.003.EE	Hexagon Nut M 6, DIN 985
2	1	NSC.034.E	Mushroom Head Bolt M 6 x 75 mm, DIN 603 A2 Thread
3	2	NSS.072	Worm Drive Hose Clip Maximum Clamping Range: 60 mm
4	1	TSE.148.T2.TL	Hose Retainer, DropStop Pipe Type 1, Bent

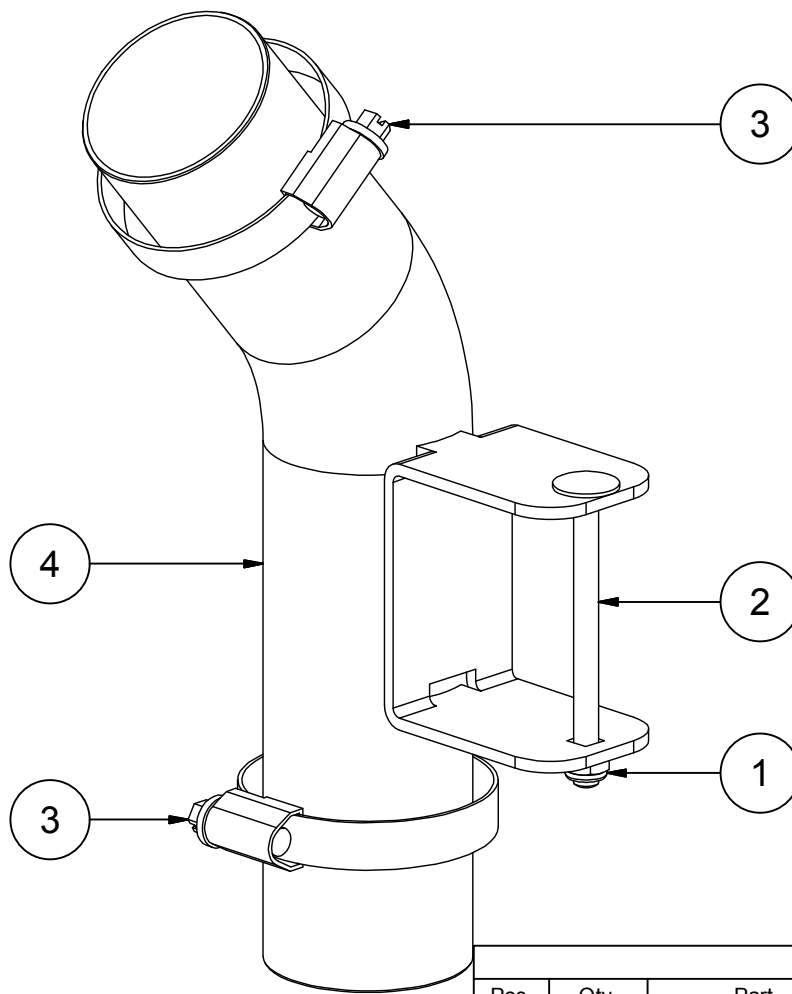
Hose Retainer,
DropStop Pipe
DN 50, Left

B

TSZ254.T1.TL

VOGELSANG





BOM			
Pos.	Qty.	Part	Description
1	1	NMK.003.EE	Hexagon Nut M 6, DIN 985
2	1	NSC.034.E	Mushroom Head Bolt M 6 x 75 mm, DIN 603 A2 Thread
3	2	NSS.072	Worm Drive Hose Clip Maximum Clamping Range: 60 mm
4	1	TSE.148.T2.TR	Hose Retainer, DropStop Pipe Type 1, Bent

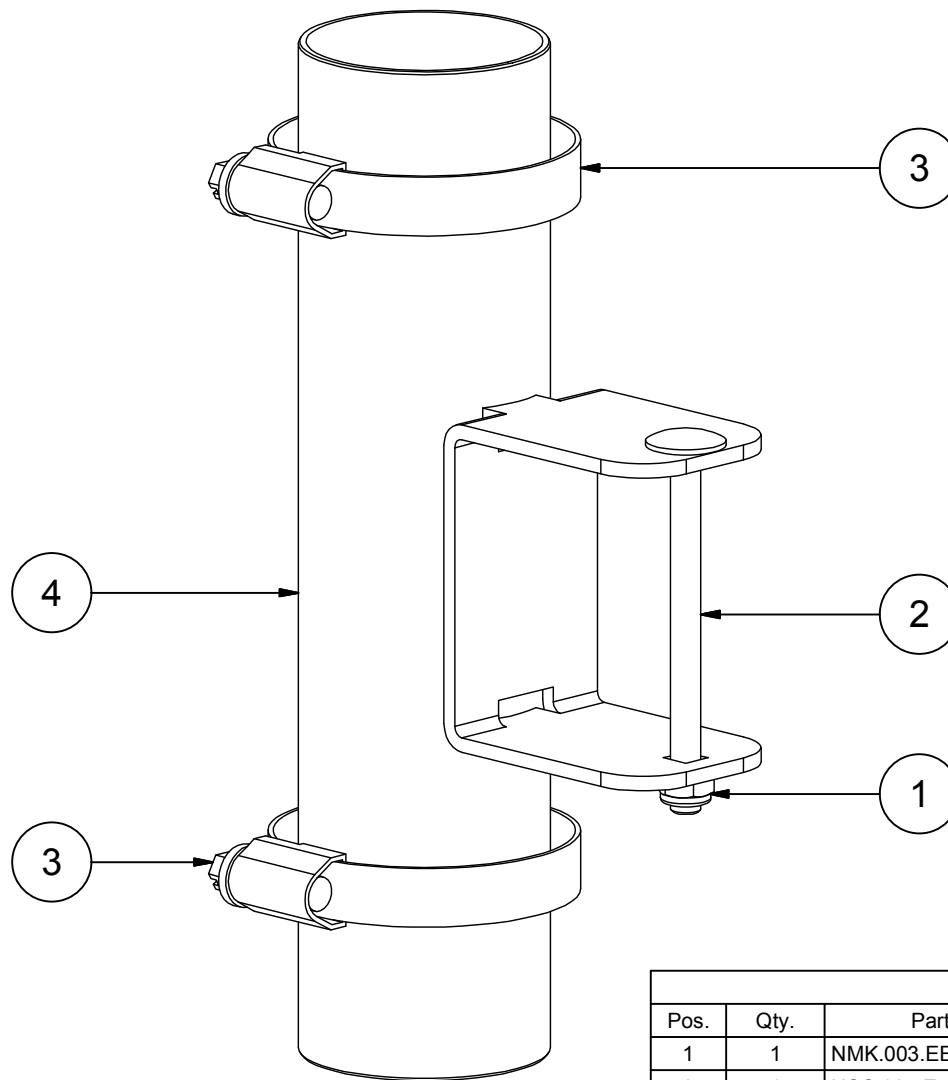
Hose Retainer,
DropStop Pipe
DN 50, Right

B

TSZ254.T1.TR

VOGELSANG





BOM			
Pos.	Qty.	Part	Description
1	1	NMK.003.EE	Hexagon Nut M 6, DIN 985
2	1	NSC.034.E	Mushroom Head Bolt M 6 x 75 mm, DIN 603 A2 Thread
3	2	NSS.072	Worm Drive Hose Clip Maximum Clamping Range: 60 mm
4	1	TSE.147.T3	Hose Retainer, DropStop Pipe Type 1, Straight

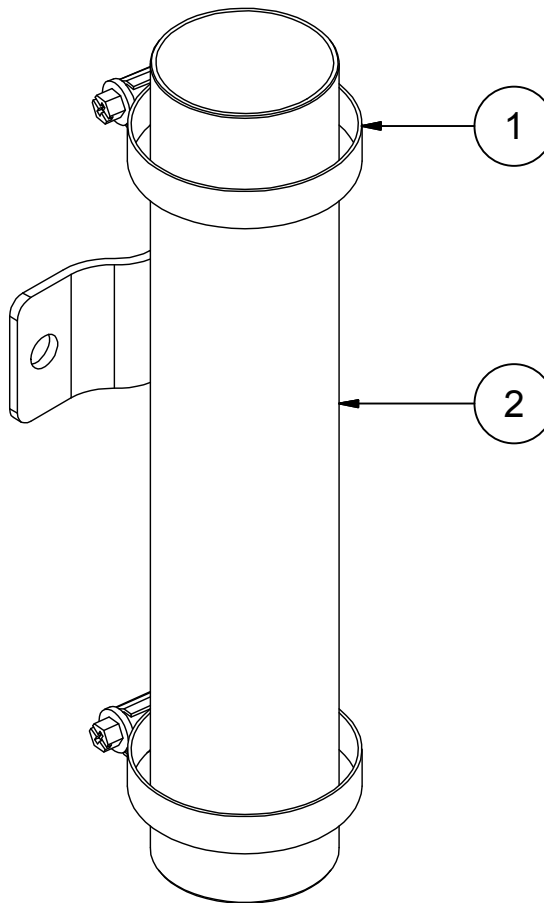
Hose Retainer,
DropStop Pipe
DN 50, On Both Sides

B

TSZ253.T1

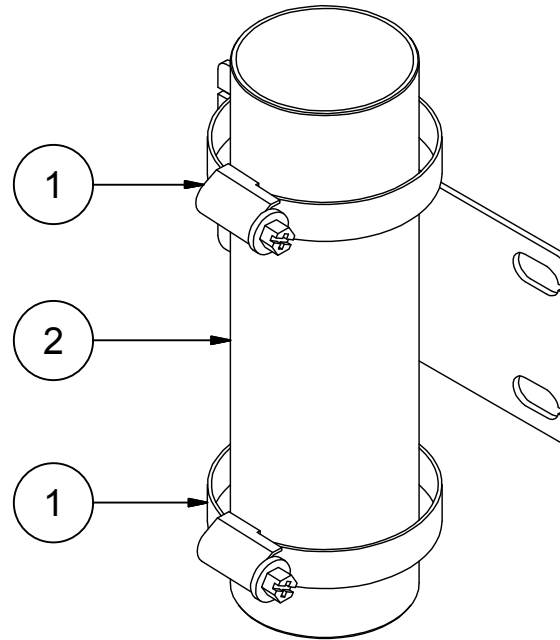
VOGELSANG






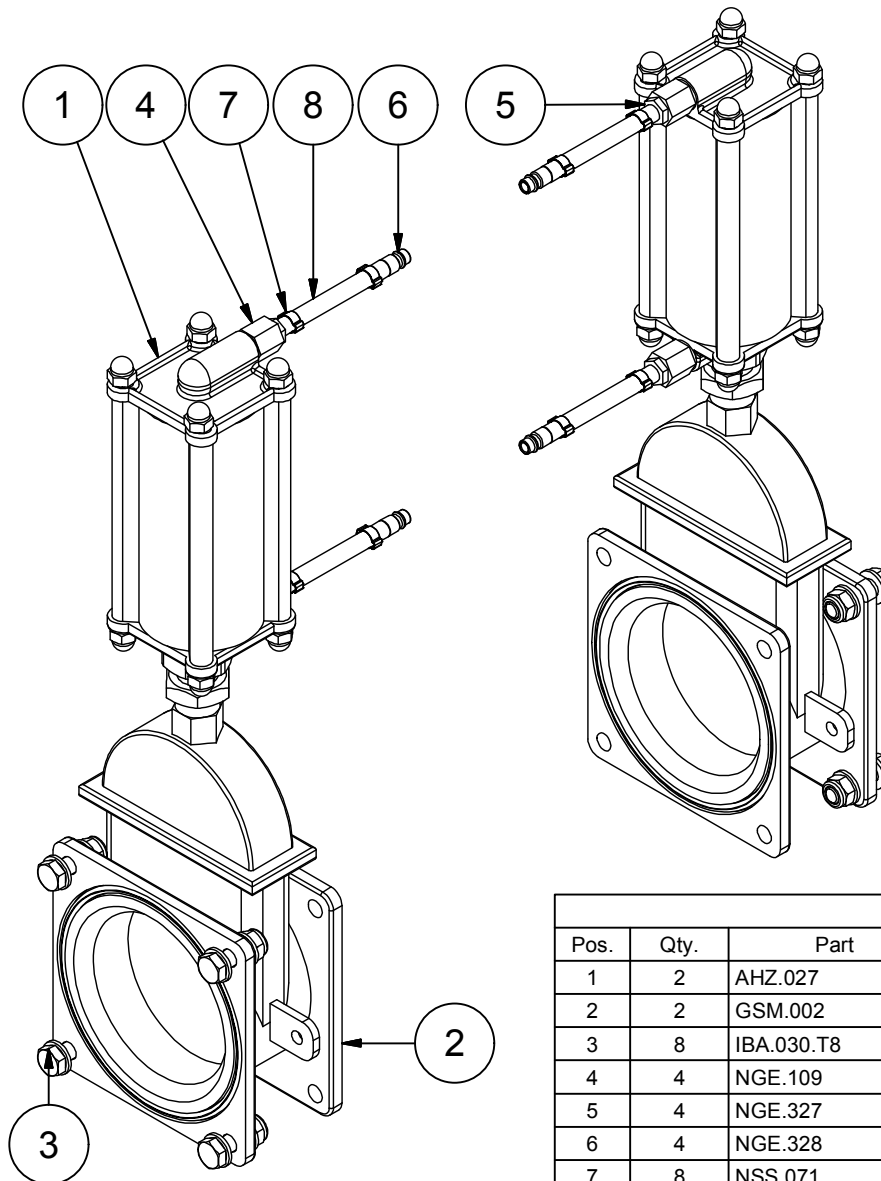
BOM			
Pos.	Qty.	Part	Description
1	2	NSS.072	Worm Drive Hose Clip Maximum Clamping Range: 60 mm
2	1	TSE.138.T1	Hose Retainer, DropStop Pipe Type 6, Straight

Hose Retainer, DropStop Pipe DN 50, On Both Sides	A	
	TSZ0068	



BOM			
Pos.	Qty.	Part	Description
1	2	NSS.072	Worm Drive Hose Clip Maximum Clamping Range: 60 mm
2	1	TSE.108.T3	Hose Retainer, DropStop Pipe Type 4, Straight

Hose Retainer, DropStop Pipe DN 50, On Both Sides	A	
	TSZ329.T1	



BOM			
Pos.	Qty.	Part	Description
1	2	AHZ.027	Pneumatic Cylinder 6 inch Flange Gate Valve
2	2	GSM.002	Flanged Gate Valve MZ 6 inch Maximum Pressure 2,5 bar
3	8	IBA.030.T8	Bolt Set
4	4	NGE.109	Reducing Fitting 3/8 inch MT - 1/4 inch FT
5	4	NGE.327	Hose Tail MT 1/4 inch x Ø 6 mm
6	4	NGE.328	Plug Nipple NW 7,2 With Hose Tail Ø 6 mm
7	8	NSS.071	2-Ear-Clamp Maximum Clamping Range: 13 mm
8	4	ZHSC077.3000	

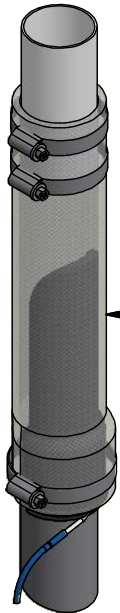
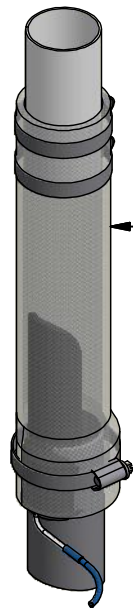
Slide Valve with Actuation
6 inch Pneumatic

B

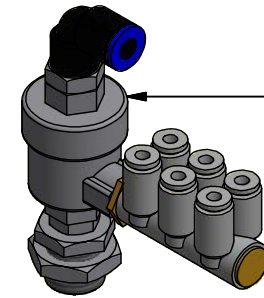
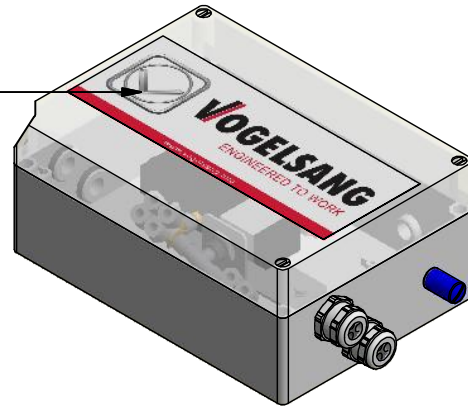
TSZ0063

VOGELSANG



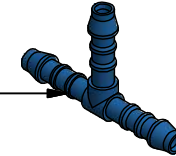


1



7

3



4

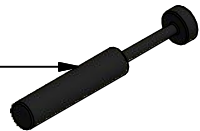


9

5



2



BOM			
Pos.	Qty.	Part	Description
1	1	EPV0002	Solenoid Valve Box, Preassembled 1 Circuit(s), 8
2	2	NGE.316	Sealing Connector Ø 4 mm
3	2	NGE.354	T-Shaped Hose Tail Ø 6 mm x Ø 6 mm
4	2	NGE.369	Y-Shaped Connector 3 x Ø 4 mm
5	4	NGE0011	Sealing Connector Ø 6 mm
6	3	NSS.071	2-Ear-Clamp Maximum Clamping Range: 13 mm
7	8	TPV0001	CFC Quick Vent Valve Elbow
8	24	TSM.018.TL	Comfort Flow Control Inlet DN 50, Outlet DN 50
9	24	TSM.018.TR	Comfort Flow Control Inlet DN 50, Outlet DN 50
10	1	ZHSC078.40000	
11	1	ZHSC077.8000	

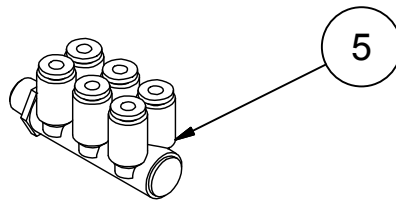
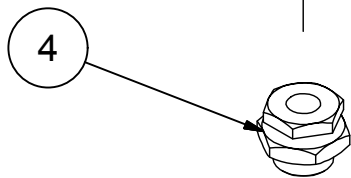
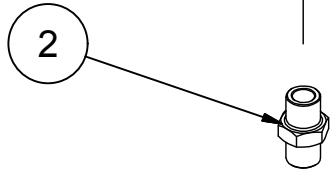
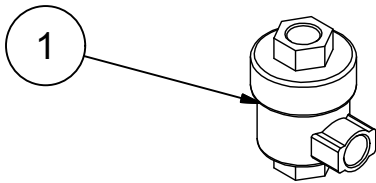
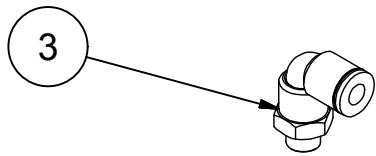
Comfort Flow Control Number of
Switch Off: Number of CFC per

A

TDP0041

VOGELSANG





BOM			
Pos.	Qty.	Part	Description
1	1	NGE.356	Quick Vent Valve 1/8 inch, 6 bar,
2	1	NGE.357	Double Nipple MT R 1/8 inch MT R 1/8 inch
3	1	NGE.358	Screw-In Push-In Fitting Angle, 1 x Ø 6 mm
4	1	NGE.360	Socket - Partition FT G 1/8 inch MT M 16 x 1,5
5	1	NGE0008	Screw-In Push-In Fitting Angle, 6 x Ø 4 mm

CFC Quick Vent Valve
Elbow

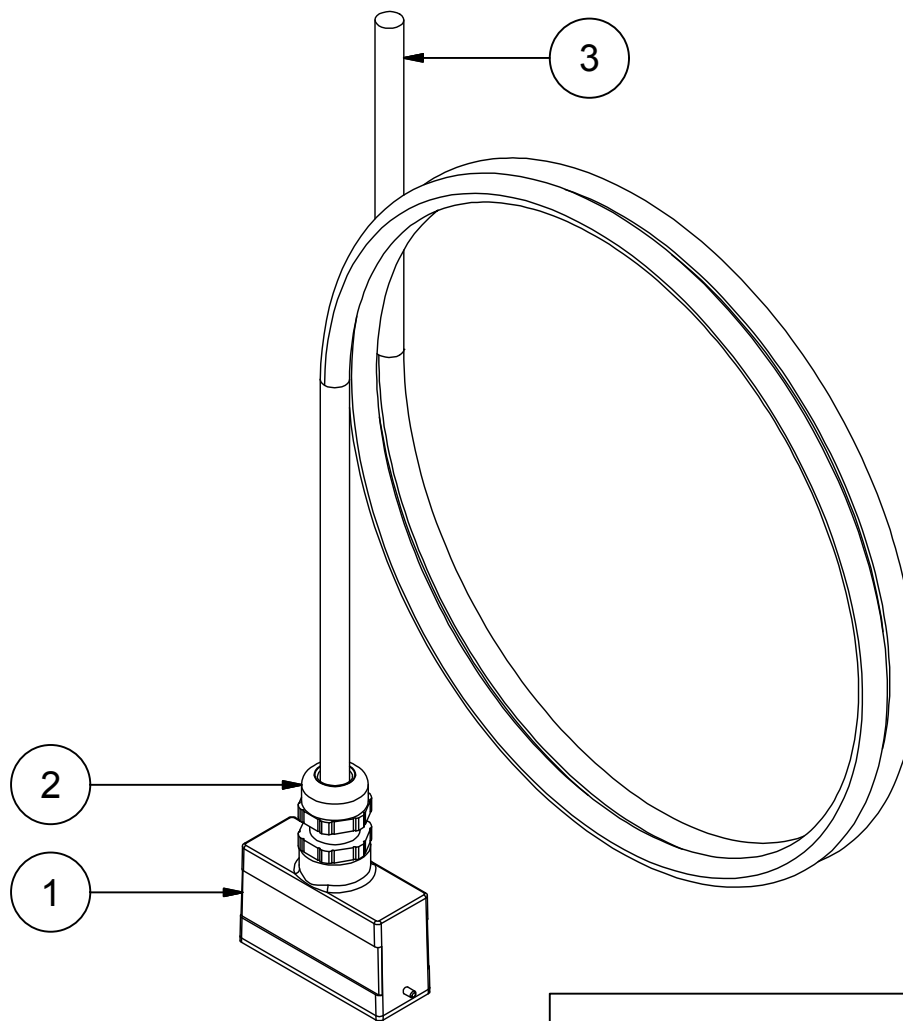
A

TPV0001

© Hugo Vogelsang Maschinenbau GmbH.

VOGELSANG





BOM			
Pos.	Qty.	Part	Description
1	1	EST.010	Plug 20-Pole 16 A 230 V
2	1	NGE.341	Wire Terminal Pg16
3	1	ZEKK.006.5000	

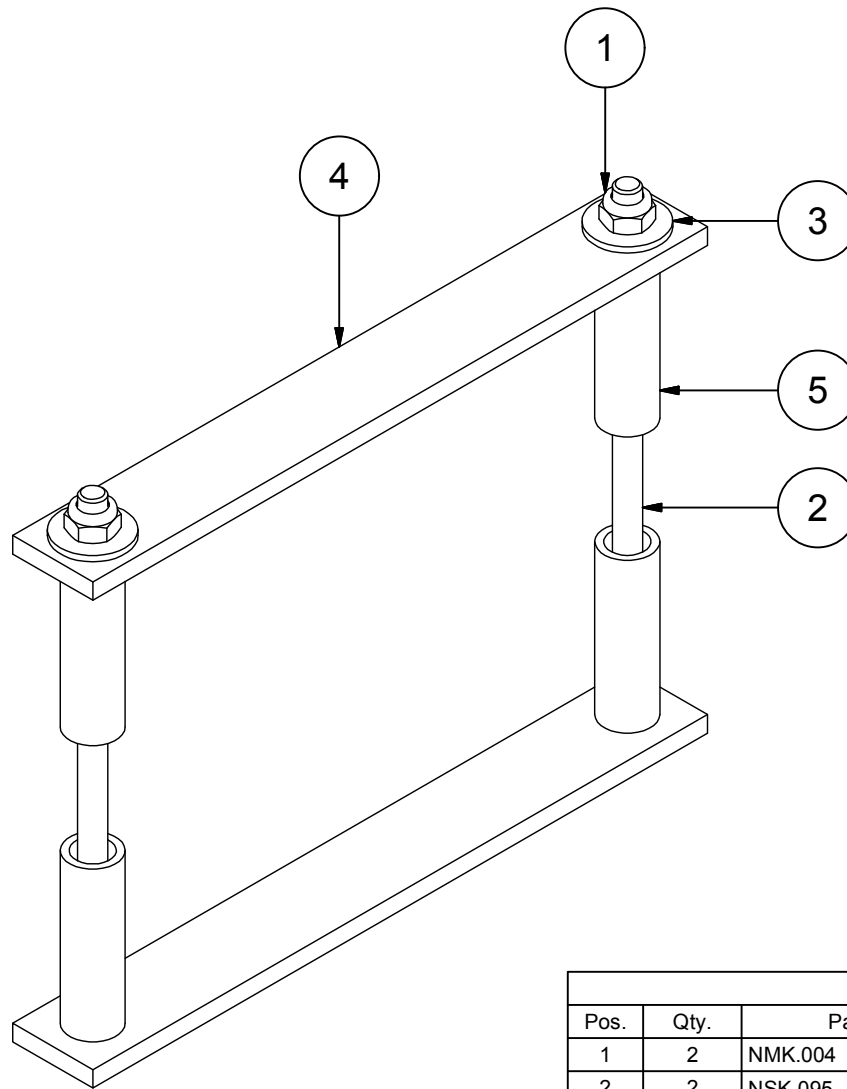
Assembly Kit DropStop
 Connection Partial Width/

A

ELE0006

VOGELSANG





BOM			
Pos.	Qty.	Part	Description
1	2	NMK.004	Hexagon Nut M 8, DIN 985
2	2	NSK.095	Hexagon Head Bolt M 8 x 180 mm, DIN 931
3	4	NUS.018	Washer A 8,4 mm x 24 mm x 2,0 mm
4	2	ZHFS033.0230	
5	4	ZHRS0217.0056	

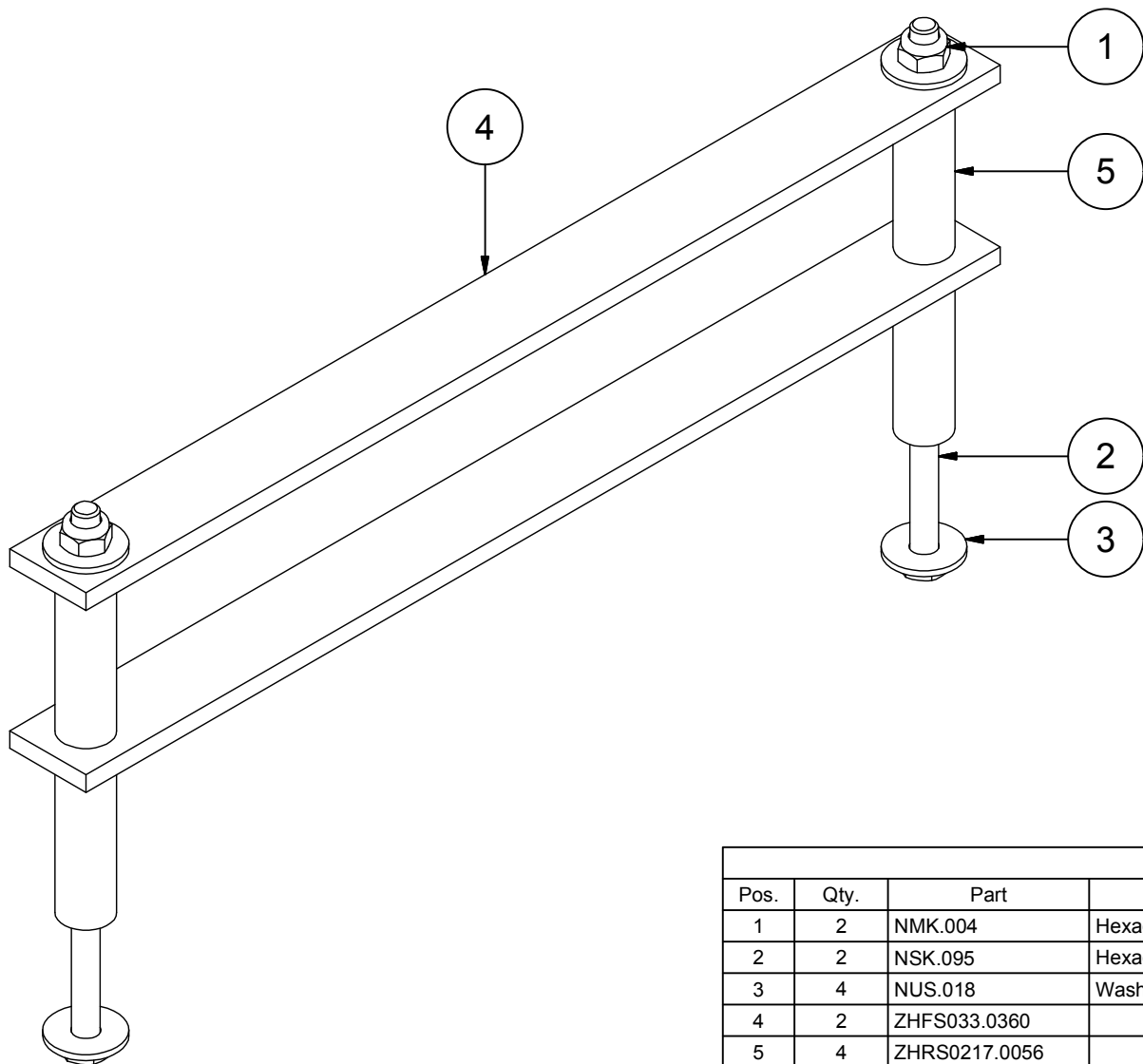
Hose Guide
Flat, DN 50

A



TSE0068

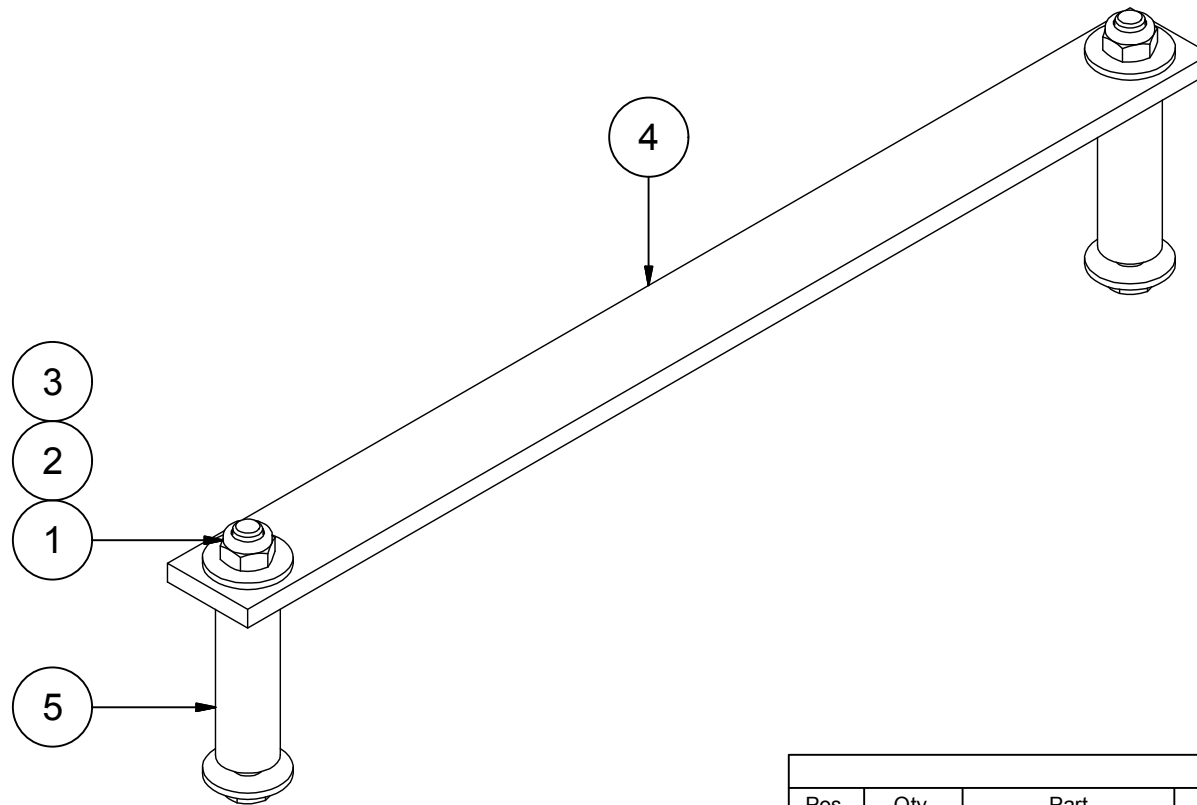
VOGELSANG






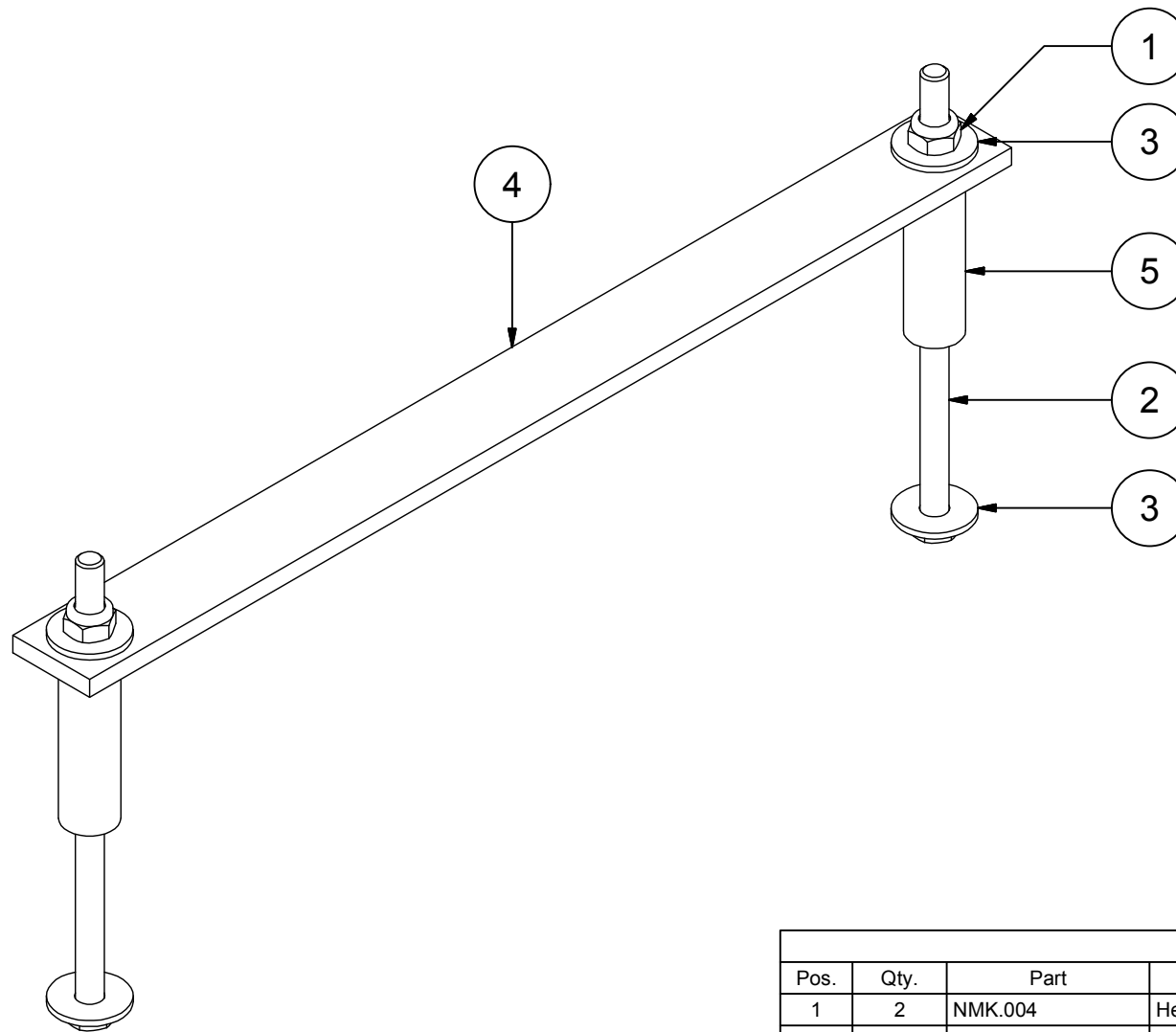
BOM			
Pos.	Qty.	Part	Description
1	2	NMK.004	Hexagon Nut M 8, DIN 985
2	2	NSK.095	Hexagon Head Bolt M 8 x 180 mm, DIN 931
3	4	NUS.018	Washer A 8,4 mm x 24 mm x 2,0 mm
4	2	ZHFS033.0360	
5	4	ZHRS0217.0056	

Hose Guide Flat, DN 50	A	 
	TSE0069	



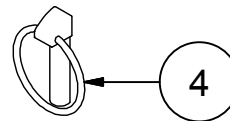
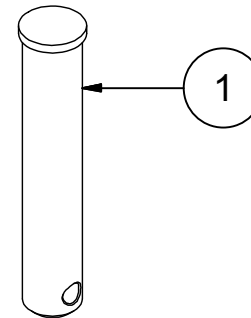
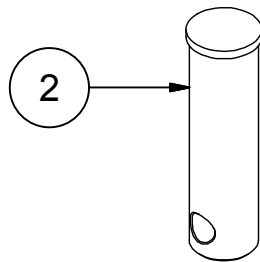
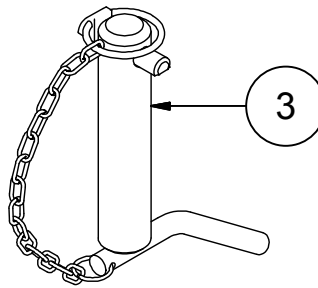
BOM			
Pos.	Qty.	Part	Description
1	2	NMK.004	Hexagon Nut M 8, DIN 985
2	2	NSK.062	Hexagon Head Bolt M 8 x 80 mm, DIN 931
3	4	NUS.018	Washer A 8,4 mm x 24 mm x 2,0 mm
4	1	ZHFS033.0360	
5	2	ZHRS0217.0056	

Hose Guide Flat, DN 50	A	
	TSE0070	



BOM			
Pos.	Qty.	Part	Description
1	2	NMK.004	Hexagon Nut M 8, DIN 985
2	2	NSK.190	Hexagon Head Bolt M 8 x 150 mm, DIN 931
3	4	NUS.018	Washer A 8,4 mm x 24 mm x 2,0 mm
4	1	ZHFS033.0360	
5	2	ZHRS0217.0056	

Hose Guide Flat, DN 50	A	
	TSE0071	



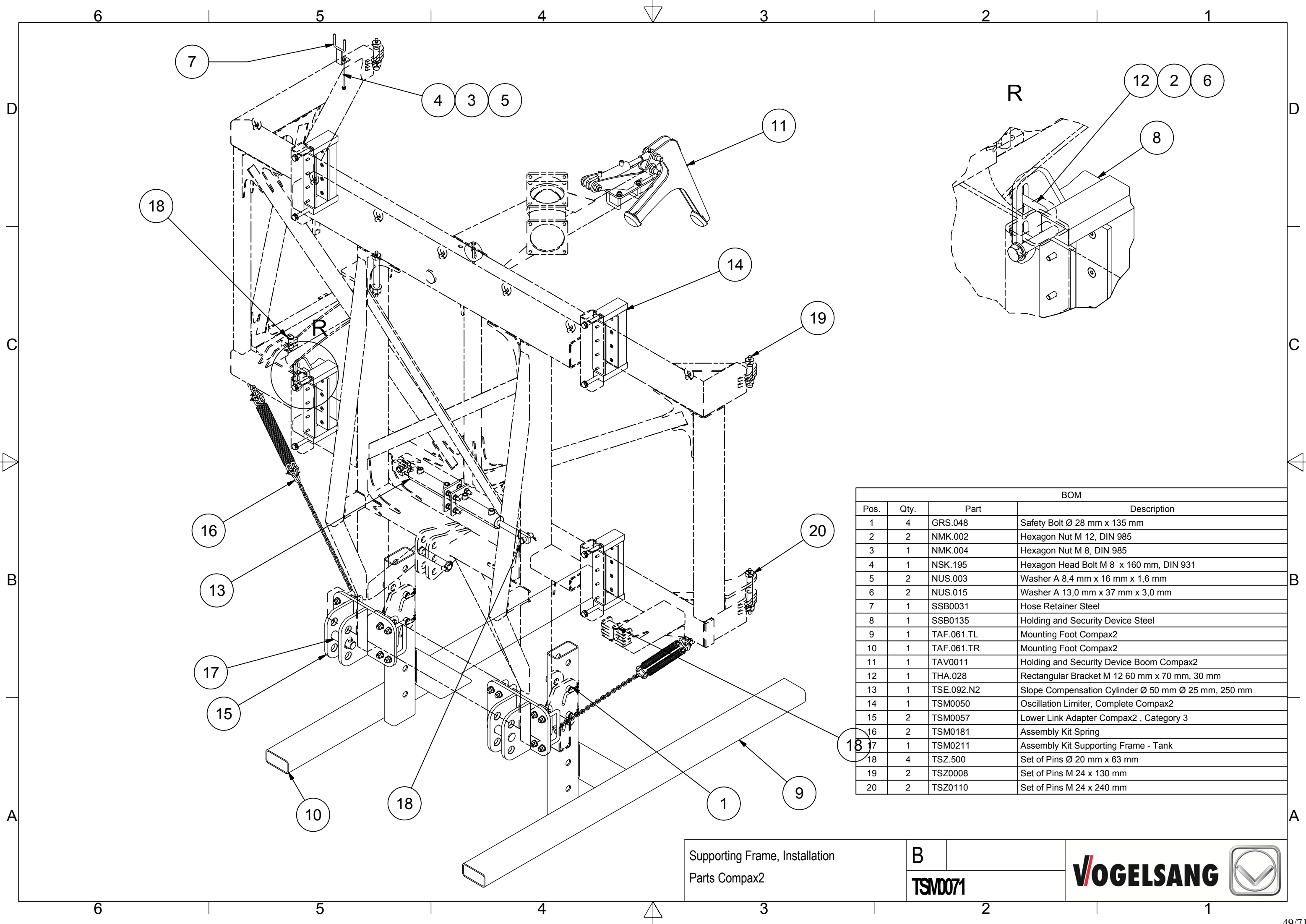
BOM			
Pos.	Qty.	Part	Description
1	1	GRS.014	Spring Cotter Bolt Ø 31,7 mm x 161 mm
2	2	GRS.015	Spring Cotter Bolt Ø 36,6 mm x 115 mm
3	4	GRS.048	Safety Bolt Ø 28 mm x 135 mm
4	7	NKL.002	Clip Pin Ø 11 mm x 45 mm

Assembly Kit
Supporting Frame - Tank

A
TSM0056

VOGELSANG



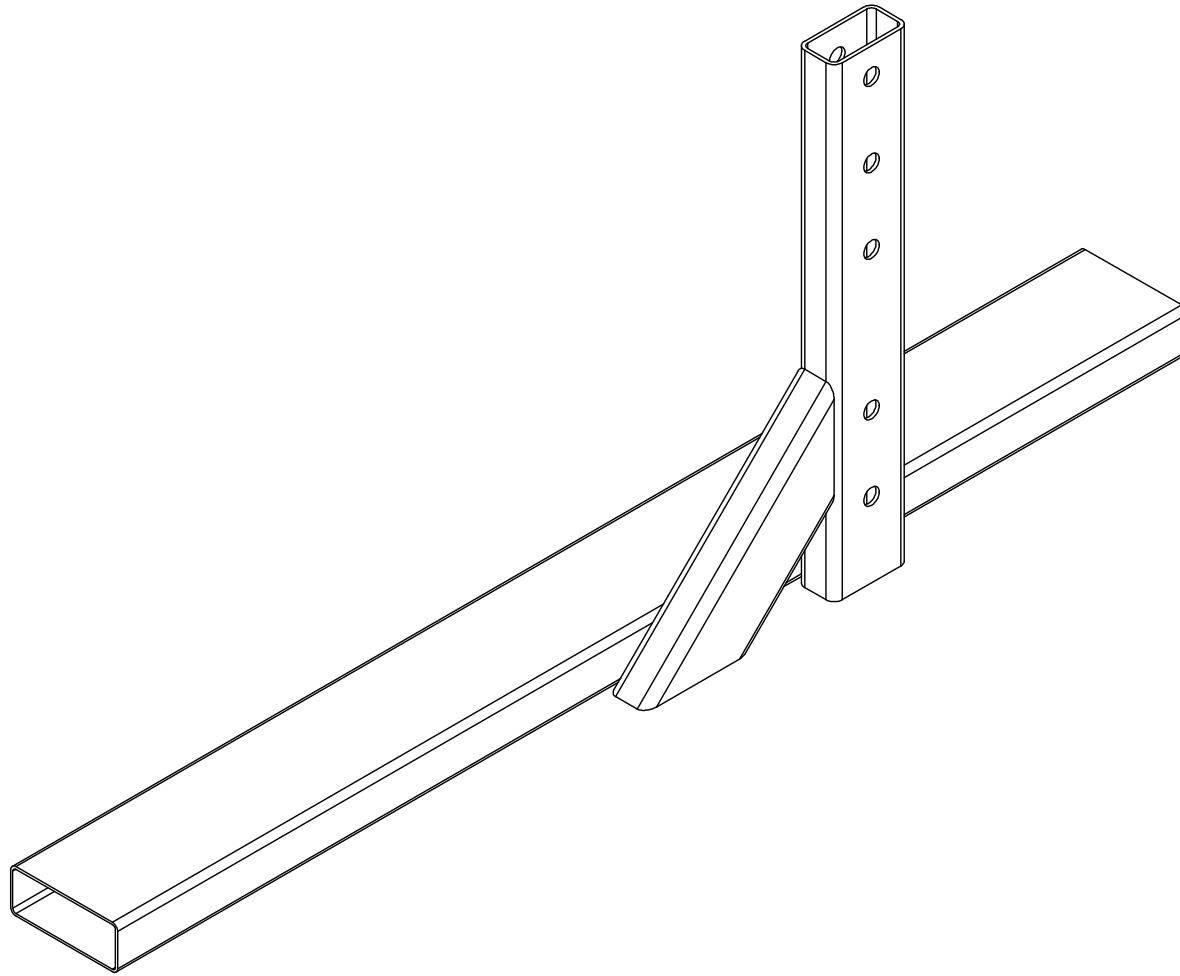


BOM			
Pos.	Qty.	Part	Description
1	4	GRS.048	Safety Bolt Ø 28 mm x 135 mm
2	2	NMK.002	Hexagon Nut M 12, DIN 985
3	1	NMK.004	Hexagon Nut M 8, DIN 985
4	1	NSK.195	Hexagon Head Bolt M 8 x 160 mm, DIN 931
5	2	NUS.003	Washer A 8,4 mm x 16 mm x 1,6 mm
6	2	NUS.015	Washer A 13,0 mm x 37 mm x 3,0 mm
7	1	SSB0031	Hose Retainer Steel
8	1	SSB0135	Holding and Security Device Steel
9	1	TAF.061.TL	Mounting Foot Compax2
10	1	TAF.061.TR	Mounting Foot Compax2
11	1	TAV0011	Holding and Security Device Boom Compax2
12	1	THA.028	Rectangular Bracket M 12 60 mm x 70 mm, 30 mm
13	1	TSE.092.N2	Slope Compensation Cylinder Ø 50 mm Ø 25 mm, 250 mm
14	1	TSM0050	Oscillation Limiter, Complete Compax2
15	2	TSM0057	Lower Link Adapter Compax2 , Category 3
16	2	TSM0181	Assembly Kit Spring
17	1	TSM0211	Assembly Kit Supporting Frame - Tank
18	4	TSZ.500	Set of Pins Ø 20 mm x 63 mm
19	2	TSZ0008	Set of Pins M 24 x 130 mm
20	2	TSZ0110	Set of Pins M 24 x 240 mm

Supporting Frame, Installation
Parts Compax2

B
TSM071



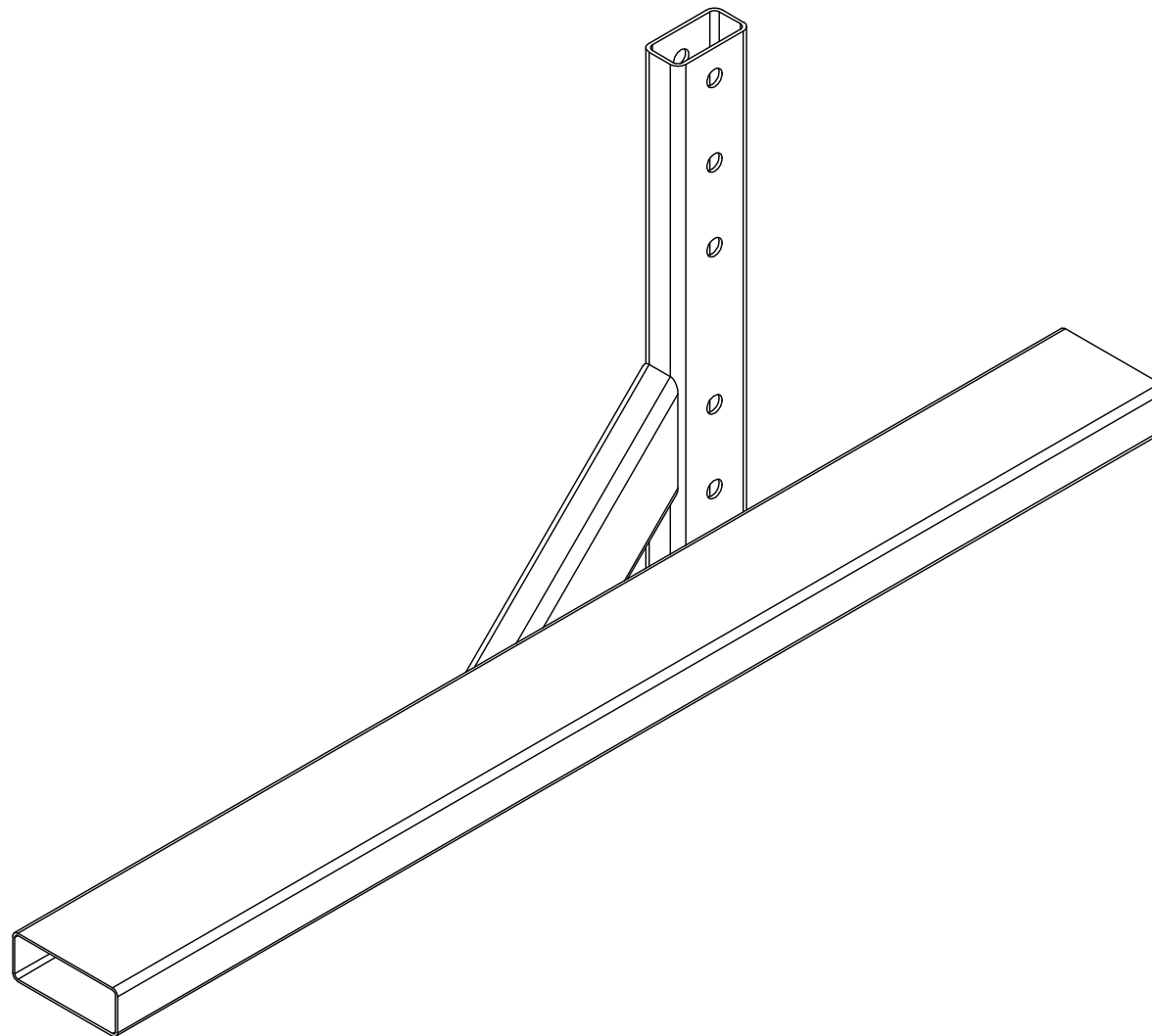


Mounting Foot
Compax2

B
TAF.061.TL

VOGELSANG





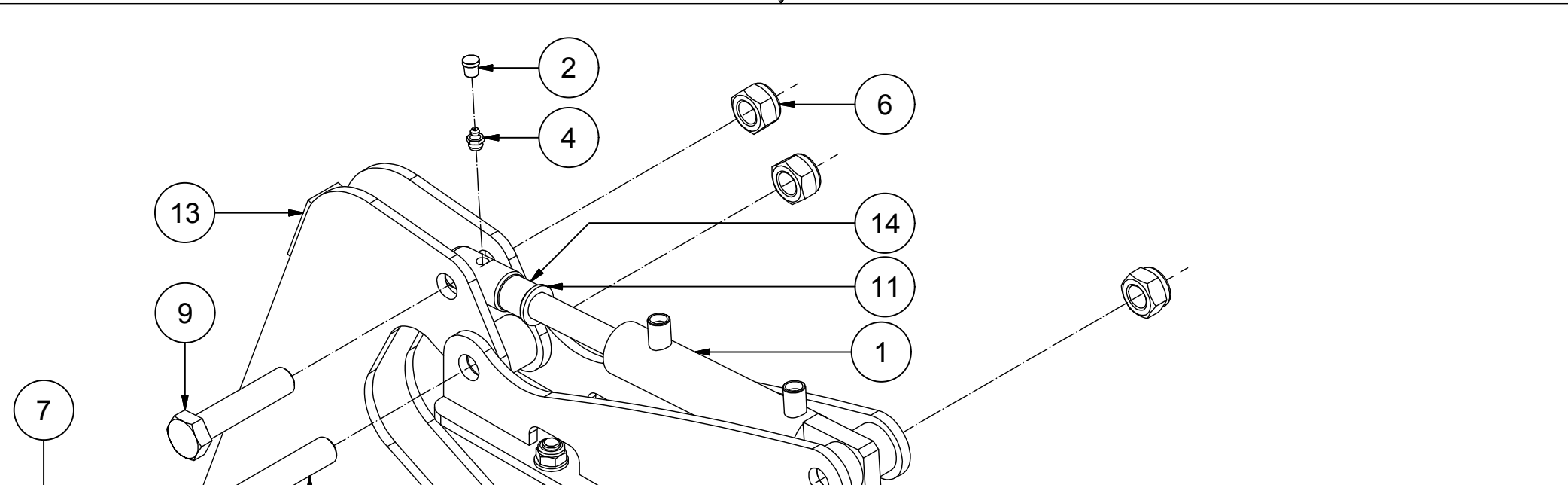
Mounting Foot
Compax2

B

TAF.061.TR

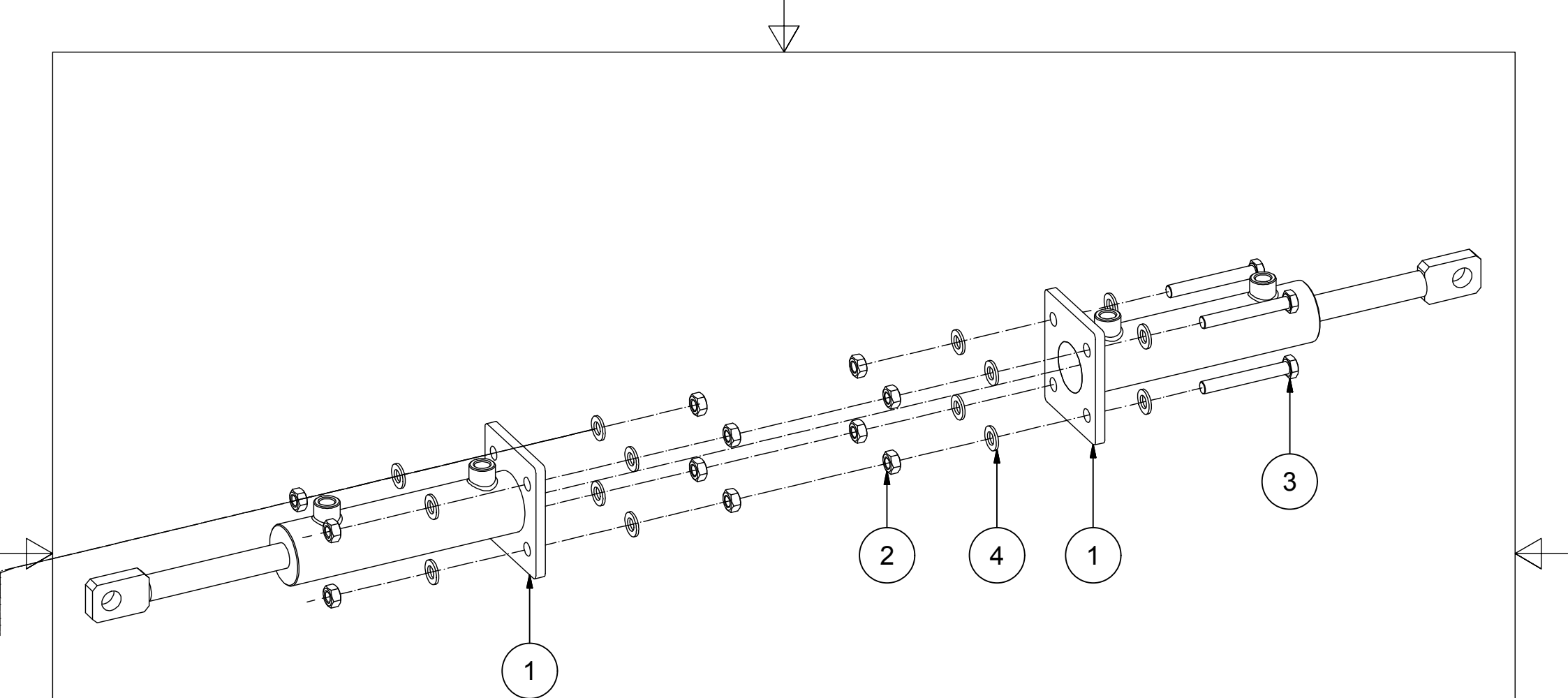
VOGELSSANG





BOM			
Pos.	Qty.	Part	Description
1	1	AHZ.047.T4	Hydraulic Cylinder Ø 32 mm Ø 20 mm, 100 mm
2	2	BKA.001	Grease Nipple Cap Ø 12 mm x 12 mm
3	2	NAP.001	Rubber Buffer Ø 90 mm x 30 mm
4	2	NKS.001	Grease Nipple H1 M 10 x 1 mm
5	4	NMK.002	Hexagon Nut M 12, DIN 985
6	3	NMK.005	Hexagon Nut M 20, DIN 985
7	2	NMK.007	Hexagon Nut M 16, DIN 985
8	1	NSK.093	Hexagon Head Bolt M 20 x 110 mm, DIN 931
9	2	NSK.098	Hexagon Head Bolt M 20 x 90 mm, DIN 931
10	4	NUS.005	Washer A 13,0 mm x 24 mm x 2,5 mm
11	1	NUS.007	Washer A 17,0 mm x 30 mm x 3,0 mm
12	1	SSB0120	Holder Steel
13	1	SSB0121	Catch Hook Steel
14	1	TGA.009	Clevis Head Counterpiece Ø 21 mm x 64 mm, B=30 mm, M 16
15	2	THA.032	Rectangular Bracket M 12 60 mm x 85 mm, 30 mm

Holding and Security Device Boom Compax2	A	 
	TAV0011	



BOM			
Pos.	Qty.	Part	Description
1	2	AHZ.045	Hydraulic Cylinder Ø 50 mm Ø 25 mm, 125 mm
2	12	NMS.004	Hexagon Nut M 12, DIN 934
3	4	NSK.133	Hexagon Head Bolt M 12 x 90 mm, DIN 933
4	16	NUS.005	Washer A 13,0 mm x 24 mm x 2,5 mm

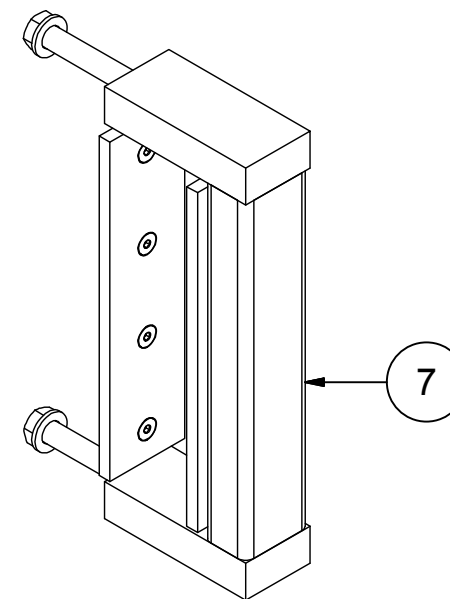
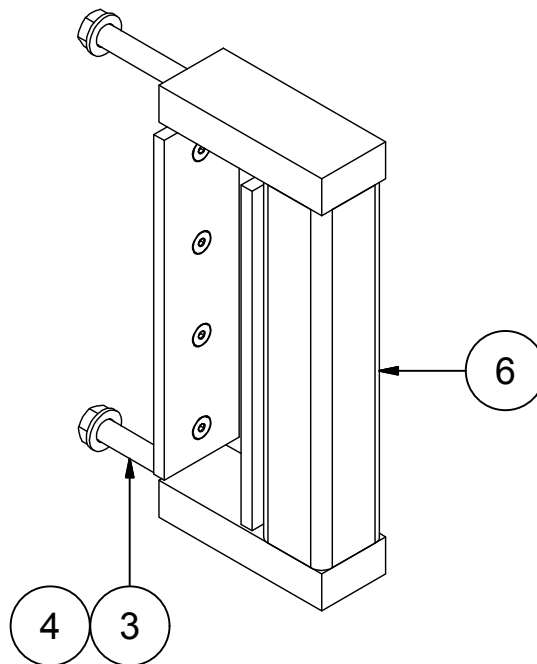
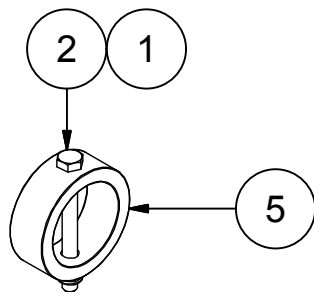
Slope Compensation Cylinder
 Ø 50 mm Ø 25 mm, 250 mm

B

TSE092N2

VOGELSANG





BOM			
Pos.	Qty.	Part	Description
1	1	NMK.001	Hexagon Nut M 10, DIN 985
2	1	NSK.012	Hexagon Head Bolt M 10 x 100 mm, DIN 931
3	8	NSK0054	Hexagon Head Bolt M 16 x 110 mm, DIN 931
4	8	NUS.007	Washer A 17,0 mm x 30 mm x 3,0 mm
5	1	TSE.063	Adjusting Ring Ø 61,5 mm x 30 mm
6	3	TSE.417.T2	Oscillation Limiter 290 mm x 72 mm
7	1	TSE0178	Oscillation Limiter 290 mm x 72 mm

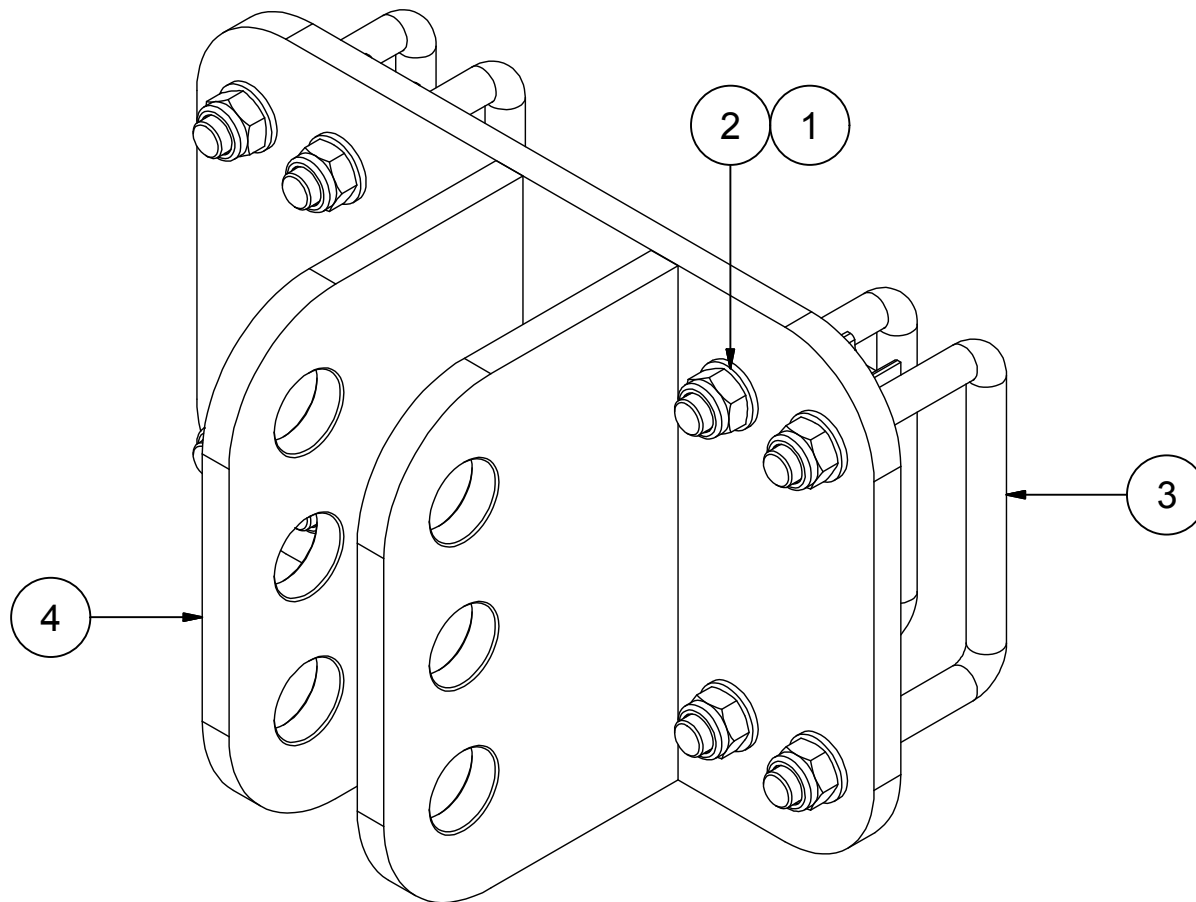
Oscillation Limiter, Complete
Compax2

B

TSM0050

VOGELSANG





BOM			
Pos.	Qty.	Part	Description
1	8	NMK.007	Hexagon Nut M 16, DIN 985
2	8	NUS.007	Washer A 17,0 mm x 30 mm x 3,0 mm
3	4	THA.039	Rectangular Bracket M 16 140 mm x 110 mm, 30 mm
4	1	TSE.335.T1	Lower Link Receptacle Compax2, Category 3

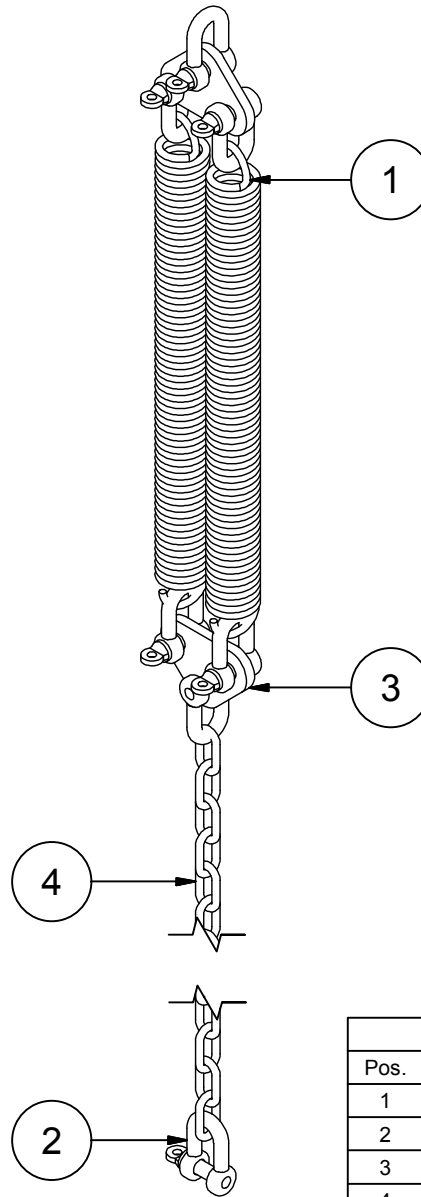
Lower Link Adapter
Compax2 , Category 3

A

TSM0057

VOGELSANG





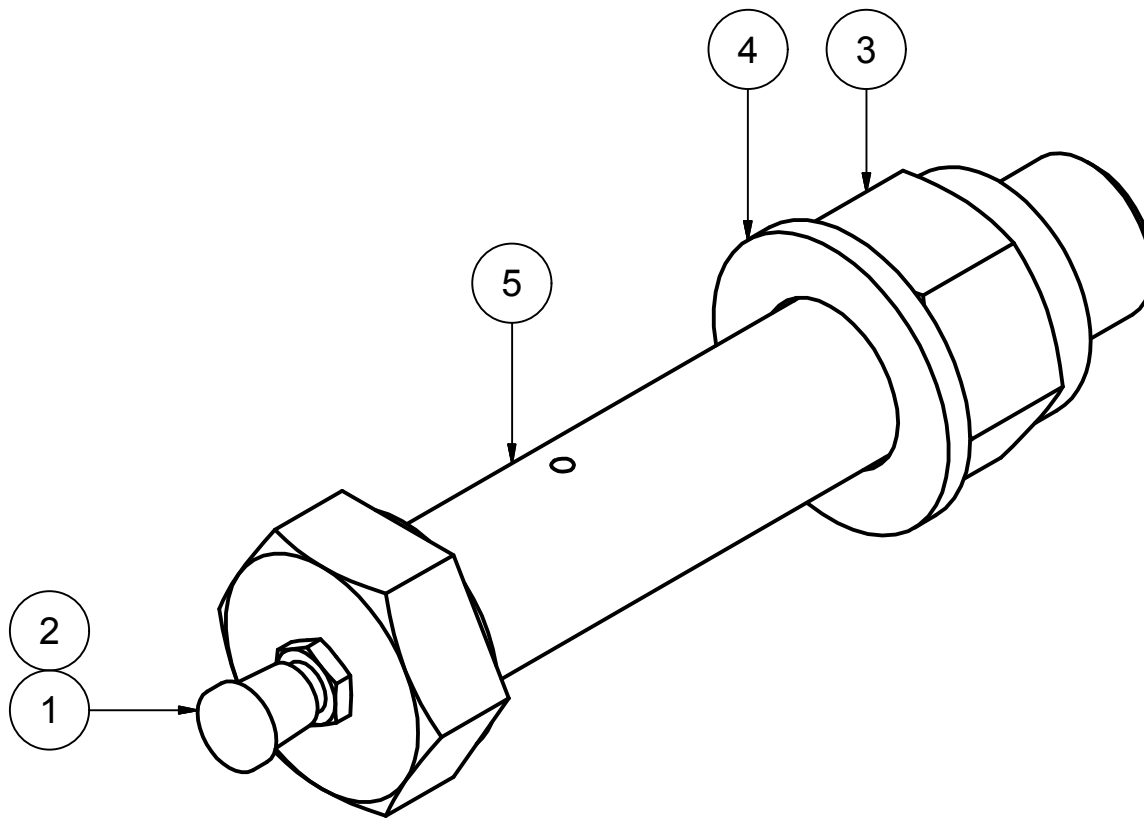
BOM			
Pos.	Qty.	Part	Description
1	2	NFE.007	Tension Spring 4 mm x 29 mm x 285 mm
2	7	NSC.032	Clevis Nominal Size 0,25-DIN 82101 A
3	2	RFL2417	Flame-Cut Part Material Thickness 6 mm
4	1	ZNKE005.0660	

Assembly Kit
Spring

A

TSM181





BOM			
Pos.	Qty.	Part	Description
1	1	BKA.001	Grease Nipple Cap Ø 12 mm x 12 mm
2	1	NKS.001	Grease Nipple H1 M 10 x 1 mm
3	1	NMK.006	Hexagon Nut M 24, DIN 985
4	1	NUS.028	Washer A 25,0 mm x 44 mm x 4,0 mm
5	1	TBO.003	Hexagon Head Bolt M 24 x 130 mm,

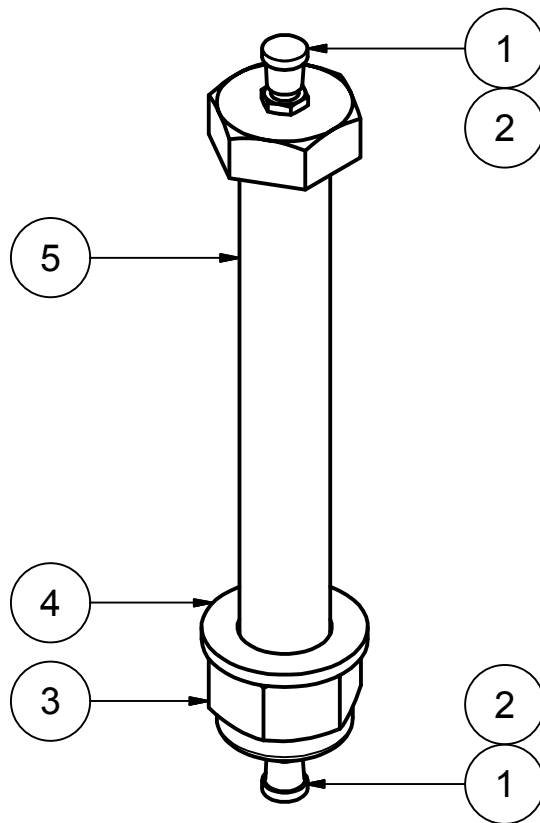
Set of Pins
M 24 x 130 mm

A

TSZ008

VOGELSANG





BOM			
Pos.	Qty.	Part	Description
1	2	BKA.001	Grease Nipple Cap Ø 12 mm x 12 mm
2	2	NKS.001	Grease Nipple H1 M 10 x 1 mm
3	1	NMK.006	Hexagon Nut M 24, DIN 985
4	1	NUS.028	Washer A 25,0 mm x 44 mm x 4,0 mm
5	1	TBO0014	Hexagon Head Bolt M 24 x 240 mm, 190 mm

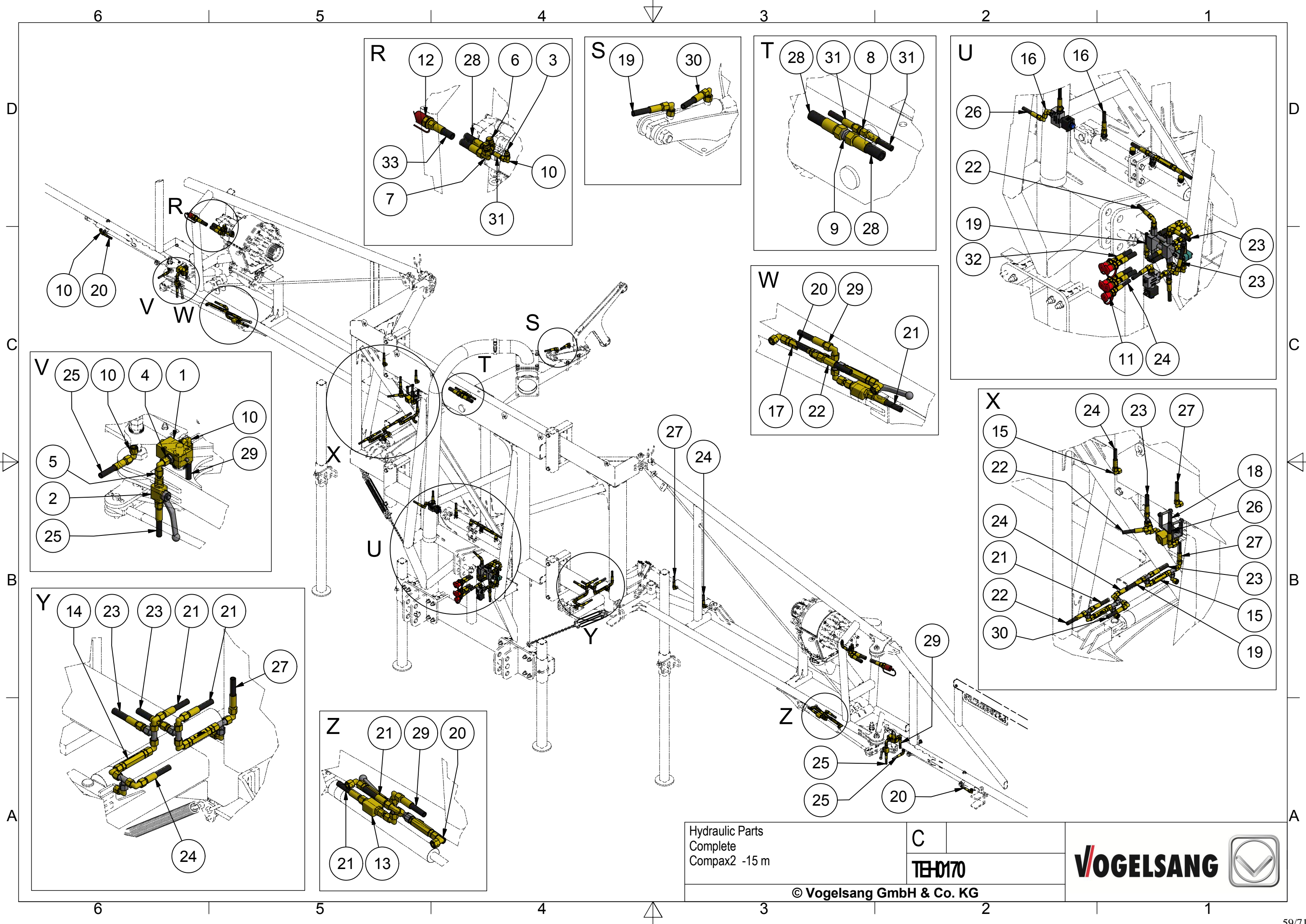
Set of Pins
M 24 x 240 mm

A

TSZ0110

VOGELSANG





Hydraulic Parts
 Complete
 Compax2 -15 m

C
 TEH070



© Vogelsang GmbH & Co. KG

BOM				BOM			
Pos.	Qty.	Part	Description	Pos.	Qty.	Part	Description
1	2	AHV.033	2/2-Way Valve G 3/8 inch, 45 l/min	17	1	TEH0166	Hydraulic Parts Compax2 - 15 m
2	2	GHN.031	2-Ways Stop-Cock DN 8, 10 L	18	1	TEH0167	Hydraulic Parts Compax2
3	2	NGE.003	Screw-In Fitting Straight 10 L - 1/4 inch	19	2	THZ.013	Hydraulic Hose 2 SN DN 6 x 2300 mm
4	4	NGE.005	Screw-In Fitting Straight 10 L - 3/8 inch	20	2	THZ.019	Hydraulic Hose 2 SN DN 6 x 1800 mm
5	2	NGE.008	Connection Fitting Straight	21	3	THZ.024	Hydraulic Hose 2 SN DN 6 x 3200 mm
6	4	NGE.010	Screw-In Fitting Straight 18 L - 1/2 inch	22	2	THZ.065	Hydraulic Hose 2 SN DN 6 x 2000 mm
7	4	NGE.019	Connection Fitting Angle	23	3	THZ.094	Hydraulic Hose 2 SN DN 6 x 1300 mm
8	1	NGE.043	Connection Fitting Straight	24	3	THZ.099	Hydraulic Hose 2 SN DN 6 x 1500 mm
9	1	NGE.046	Connection Fitting Straight	25	2	THZ.105	Hydraulic Hose 2 SN DN 6 x 350 mm
10	12	NWE.003	Connection Fitting Angle	26	1	THZ.106	Hydraulic Hose 2 SN DN 6 x 2800 mm
11	5	SST.021	Plug Coupling Plug BGR 3	27	2	THZ.114	Hydraulic Hose 2 SN DN 6 x 850 mm
12	2	SST.049	Plug Coupling Plug BGR 6	28	2	THZ.123	Hydraulic Hose 2 SN DN 16 x 5000 mm
13	1	TEH0061	Hydraulic Parts Compax2 - 15 m	29	2	THZ.131	Hydraulic Hose 2 SN DN 6 x 1100 mm
14	1	TEH0062	Hydraulic Parts Compax2	30	1	THZ.133	Hydraulic Hose 2 SN DN 6 x 4000 mm
15	1	TEH0063	Hydraulic Parts Compax2	31	2	THZ.138	Hydraulic Hose 2 SN DN 6 x 5000 mm
16	1	TEH0066	Hydraulic Parts Compax2	32	4	THZ.140	Hydraulic Hose 2 SN DN 10 x 1500 mm
				33	2	THZ.143	Hydraulic Hose 2 SN DN 16 x 8000 mm

Hydraulic Parts
Complete
Compax2 -15 m

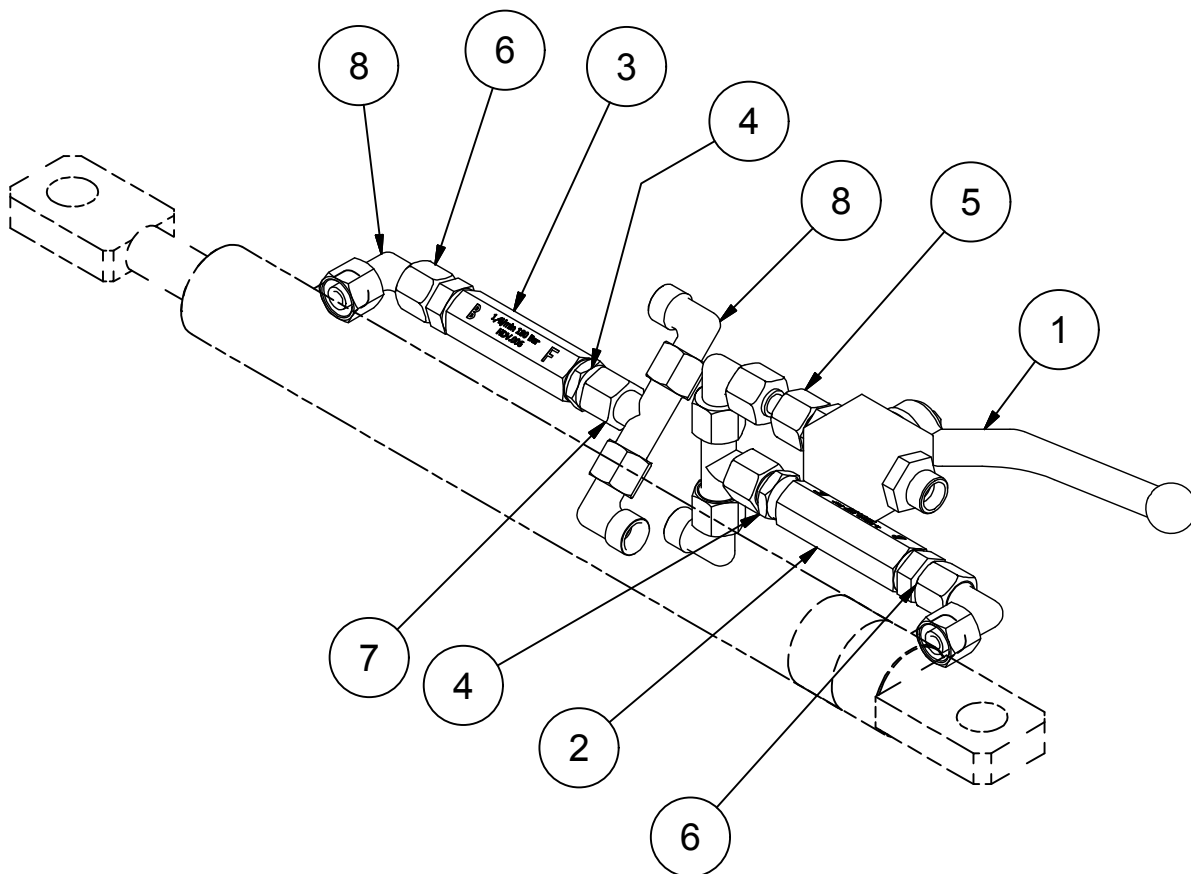
C

TEH0170

© Vogelsang GmbH & Co. KG

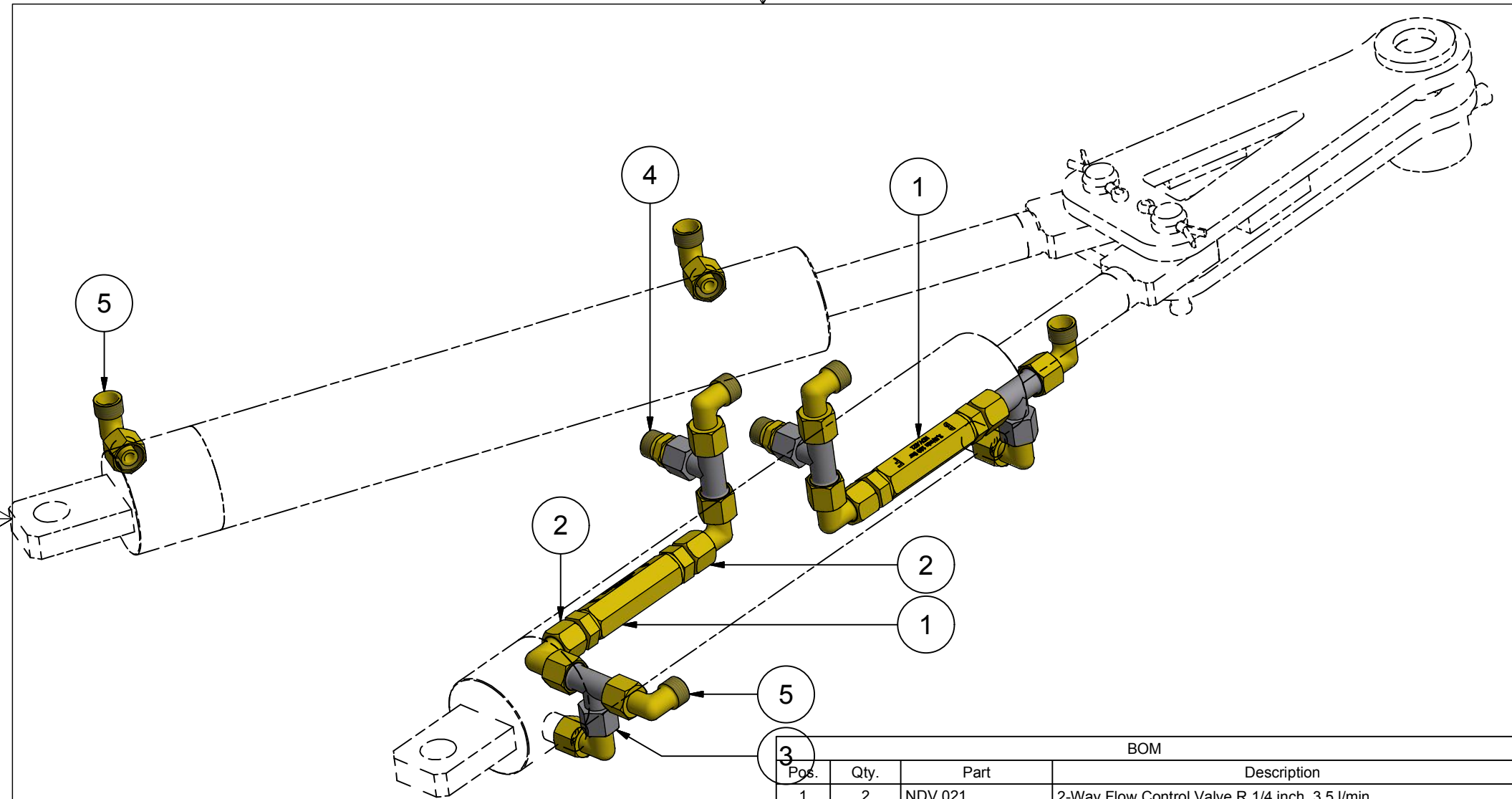
VOGELSANG







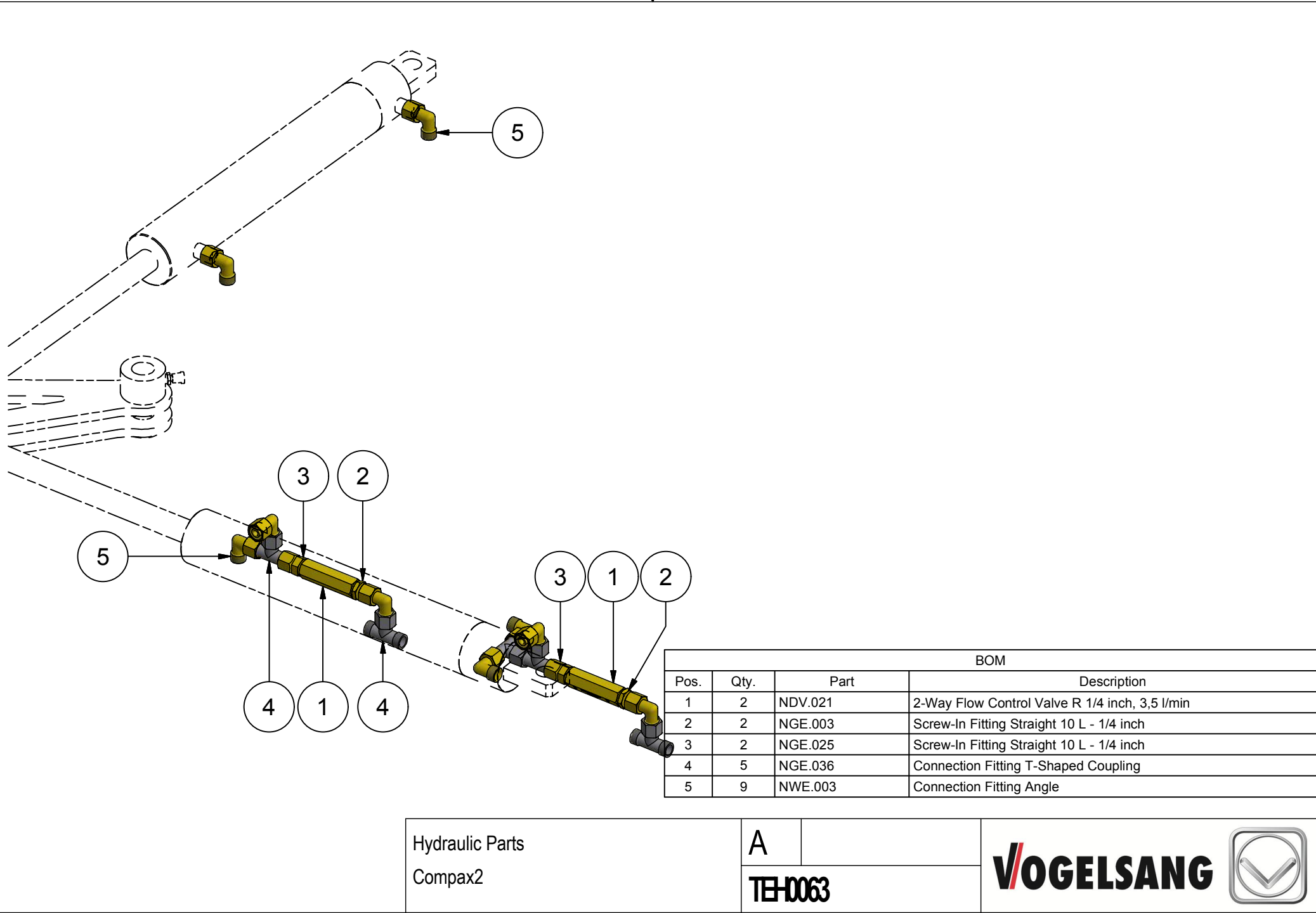
BOM			
Pos.	Qty.	Part	Description
1	1	GHN.031	2-Ways Stop-Cock DN 8, 10 L
2	1	NDV.003	2-Way Flow Control Valve R 1/4 inch, 2,3 l/min
3	1	NDV.006	2-Way Flow Control Valve R 1/4 inch, 1,4 l/min
4	2	NGE.003	Screw-In Fitting Straight 10 L - 1/4 inch
5	1	NGE.008	Connection Fitting Straight
6	2	NGE.025	Screw-In Fitting Straight 10 L - 1/4 inch
7	2	NGE.036	Connection Fitting T-Shaped Coupling
8	6	NWE.003	Connection Fitting Angle

Hydraulic Parts Compax2 - 15 m	B	
	TEH-0061	



BOM			
Pos.	Qty.	Part	Description
1	2	NDV.021	2-Way Flow Control Valve R 1/4 inch, 3,5 l/min
2	4	NGE.025	Screw-In Fitting Straight 10 L - 1/4 inch
3	4	NGE.036	Connection Fitting T-Shaped Coupling
4	2	NGE.043	Connection Fitting Straight
5	11	NWE.003	Connection Fitting Angle

Hydraulic Parts Compax2	A	 
	TEH0062	

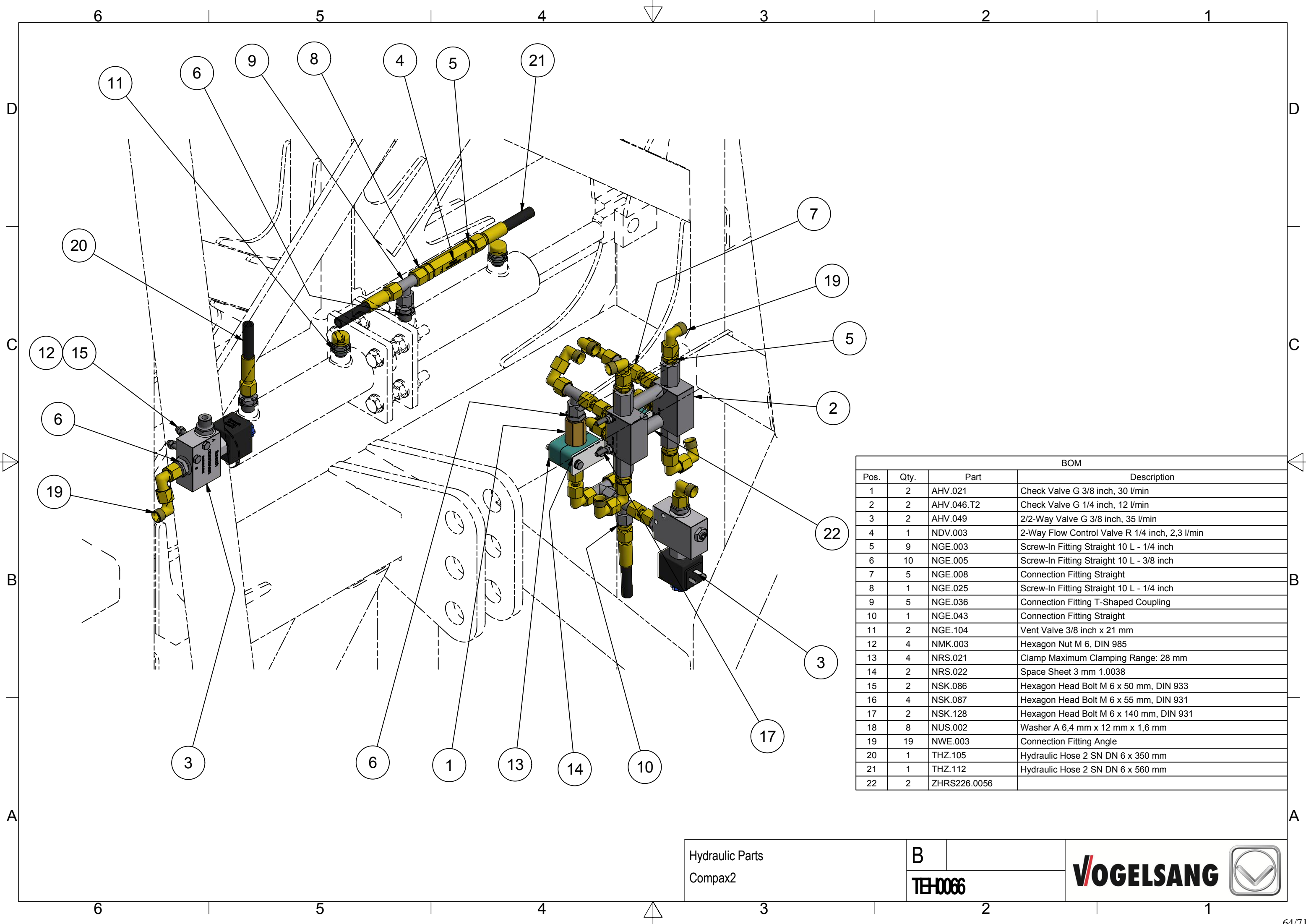


Hydraulic Parts
Compax2


A
TEH0063

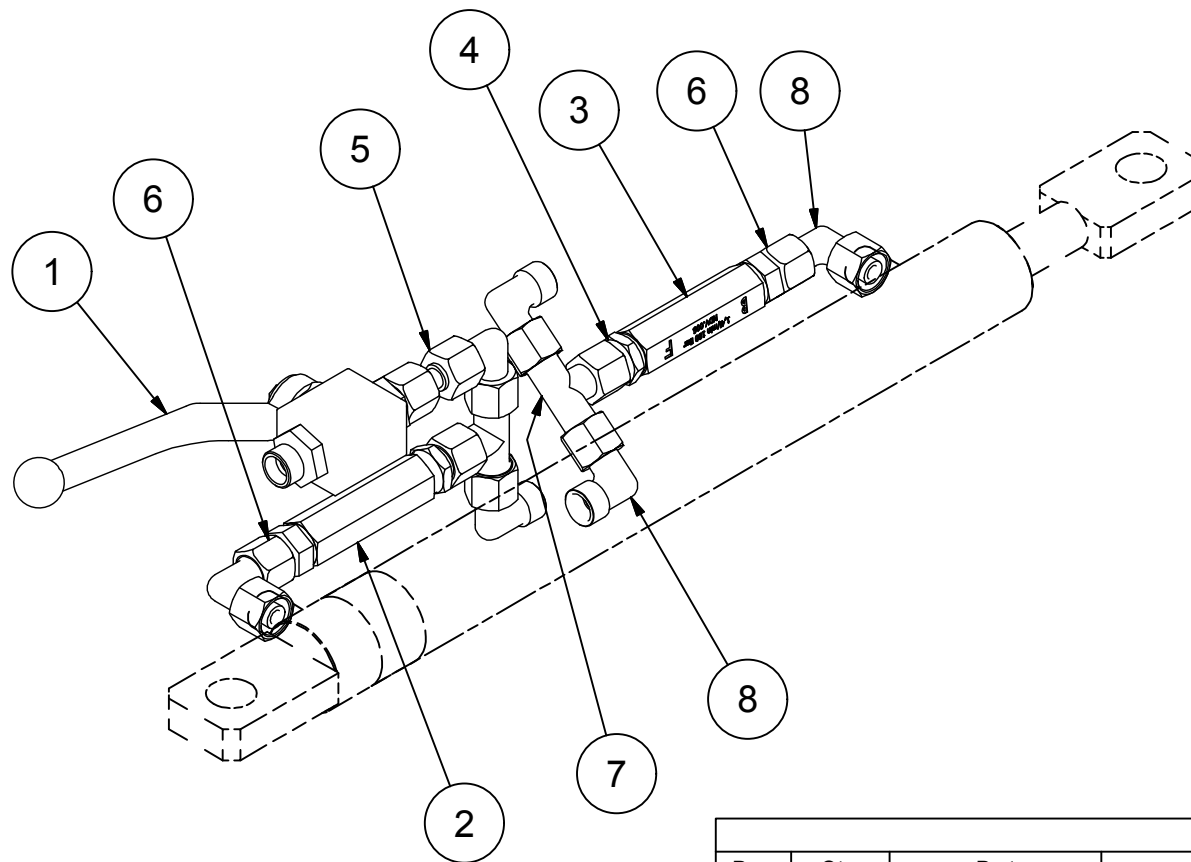
VOGELSANG





BOM			
Pos.	Qty.	Part	Description
1	2	AHV.021	Check Valve G 3/8 inch, 30 l/min
2	2	AHV.046.T2	Check Valve G 1/4 inch, 12 l/min
3	2	AHV.049	2/2-Way Valve G 3/8 inch, 35 l/min
4	1	NDV.003	2-Way Flow Control Valve R 1/4 inch, 2,3 l/min
5	9	NGE.003	Screw-In Fitting Straight 10 L - 1/4 inch
6	10	NGE.005	Screw-In Fitting Straight 10 L - 3/8 inch
7	5	NGE.008	Connection Fitting Straight
8	1	NGE.025	Screw-In Fitting Straight 10 L - 1/4 inch
9	5	NGE.036	Connection Fitting T-Shaped Coupling
10	1	NGE.043	Connection Fitting Straight
11	2	NGE.104	Vent Valve 3/8 inch x 21 mm
12	4	NMK.003	Hexagon Nut M 6, DIN 985
13	4	NRS.021	Clamp Maximum Clamping Range: 28 mm
14	2	NRS.022	Space Sheet 3 mm 1.0038
15	2	NSK.086	Hexagon Head Bolt M 6 x 50 mm, DIN 933
16	4	NSK.087	Hexagon Head Bolt M 6 x 55 mm, DIN 931
17	2	NSK.128	Hexagon Head Bolt M 6 x 140 mm, DIN 931
18	8	NUS.002	Washer A 6,4 mm x 12 mm x 1,6 mm
19	19	NWE.003	Connection Fitting Angle
20	1	THZ.105	Hydraulic Hose 2 SN DN 6 x 350 mm
21	1	THZ.112	Hydraulic Hose 2 SN DN 6 x 560 mm
22	2	ZHRS226.0056	

Hydraulic Parts Compax2	B	
	TEH-0066	



BOM			
Pos.	Qty.	Part	Description
1	1	GHN.031	2-Ways Stop-Cock DN 8, 10 L
2	1	NDV.003	2-Way Flow Control Valve R 1/4 inch, 2,3 l/min
3	1	NDV.006	2-Way Flow Control Valve R 1/4 inch, 1,4 l/min
4	2	NGE.003	Screw-In Fitting Straight 10 L - 1/4 inch
5	1	NGE.008	Connection Fitting Straight
6	2	NGE.025	Screw-In Fitting Straight 10 L - 1/4 inch
7	2	NGE.036	Connection Fitting T-Shaped Coupling
8	6	NWE.003	Connection Fitting Angle

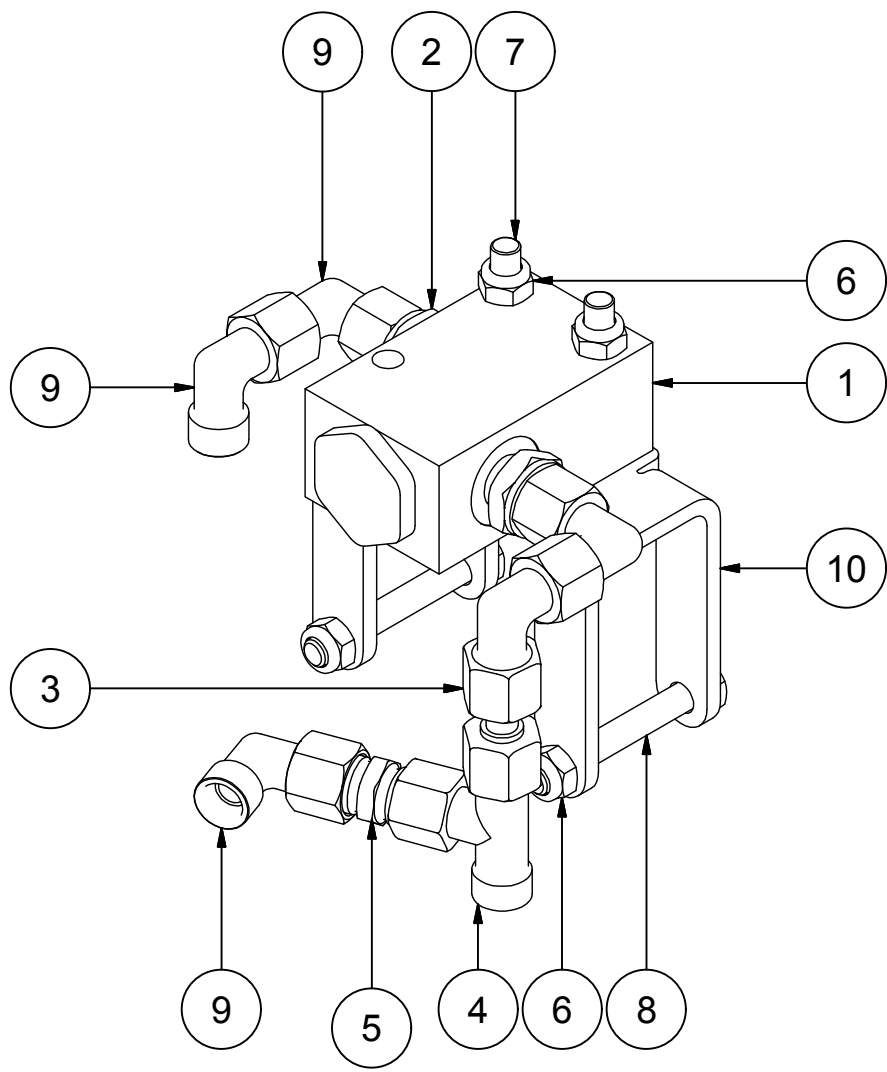
Hydraulic Parts
Compax2 - 15 m

A


TE-0166

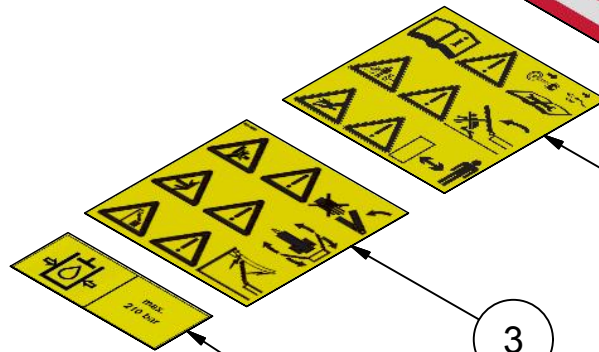
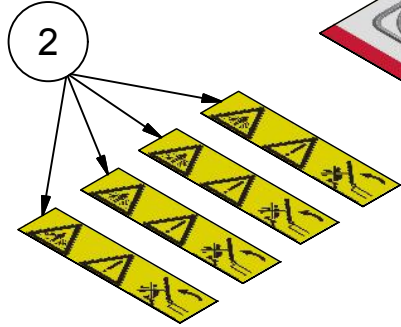
VOGELSANG





BOM			
Pos.	Qty.	Part	Description
1	1	AHV.033	2/2-Way Valve G 3/8 inch, 45 l/min
2	2	NGE.005	Screw-In Fitting Straight 10 L - 3/8 inch
3	1	NGE.008	Connection Fitting Straight
4	1	NGE.036	Connection Fitting T-Shaped Coupling
5	1	NGE.043	Connection Fitting Straight
6	4	NMK.004	Hexagon Nut M 8, DIN 985
7	2	NSE0001	Countersunk Bolt M 8 x 55 mm, ISO 10642
8	2	NSK.024	Hexagon Head Bolt M 8 x 60 mm, DIN 931
9	5	NWE.003	Connection Fitting Angle
10	1	TFL1008	Holder 5 mm 1.0038

Hydraulic Parts Compax2	B	
	TE-0167	



BOM			
Pos.	Qty.	Part	Description
1	1	VAU0002	Label Operating Instructions / Crushing Hazard / Clearance
2	4	VAU0003	Label Crushing Hazard and Danger of Impact 112 mm x 26
3	1	VAU0042	Label Crushing Hazard/ Danger of Electric Shock 112 mm x 112
4	2	VAU0045	Label Vogelsang Logo
5	1	VAU0071.00	Label Maximum Admissible Hydraulic Pressure 210 bar

Parts Kit, Stickers
 SwingUp2/3, SwingUp Farmer ,

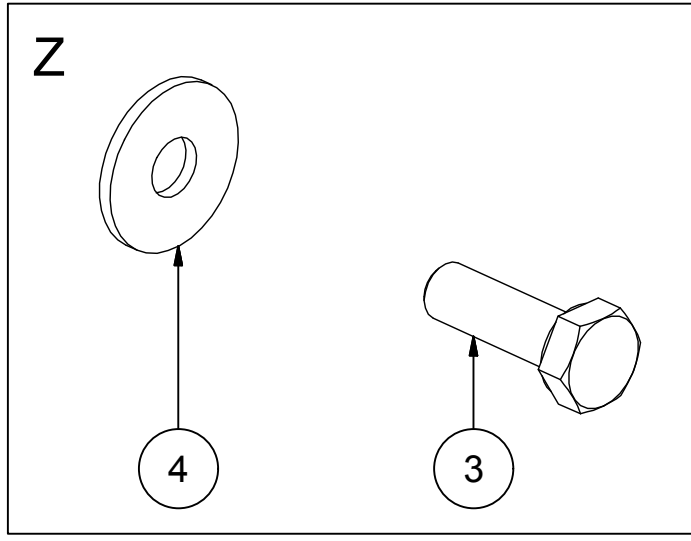
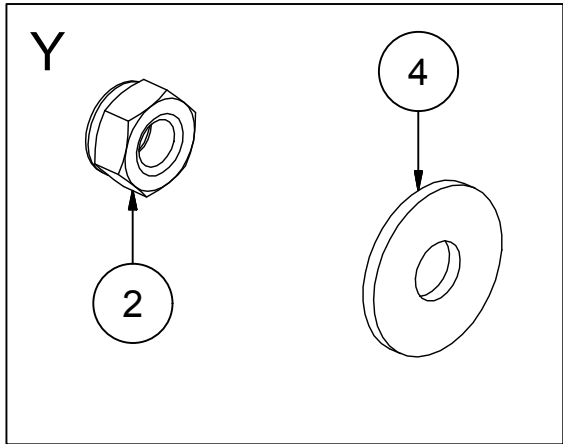
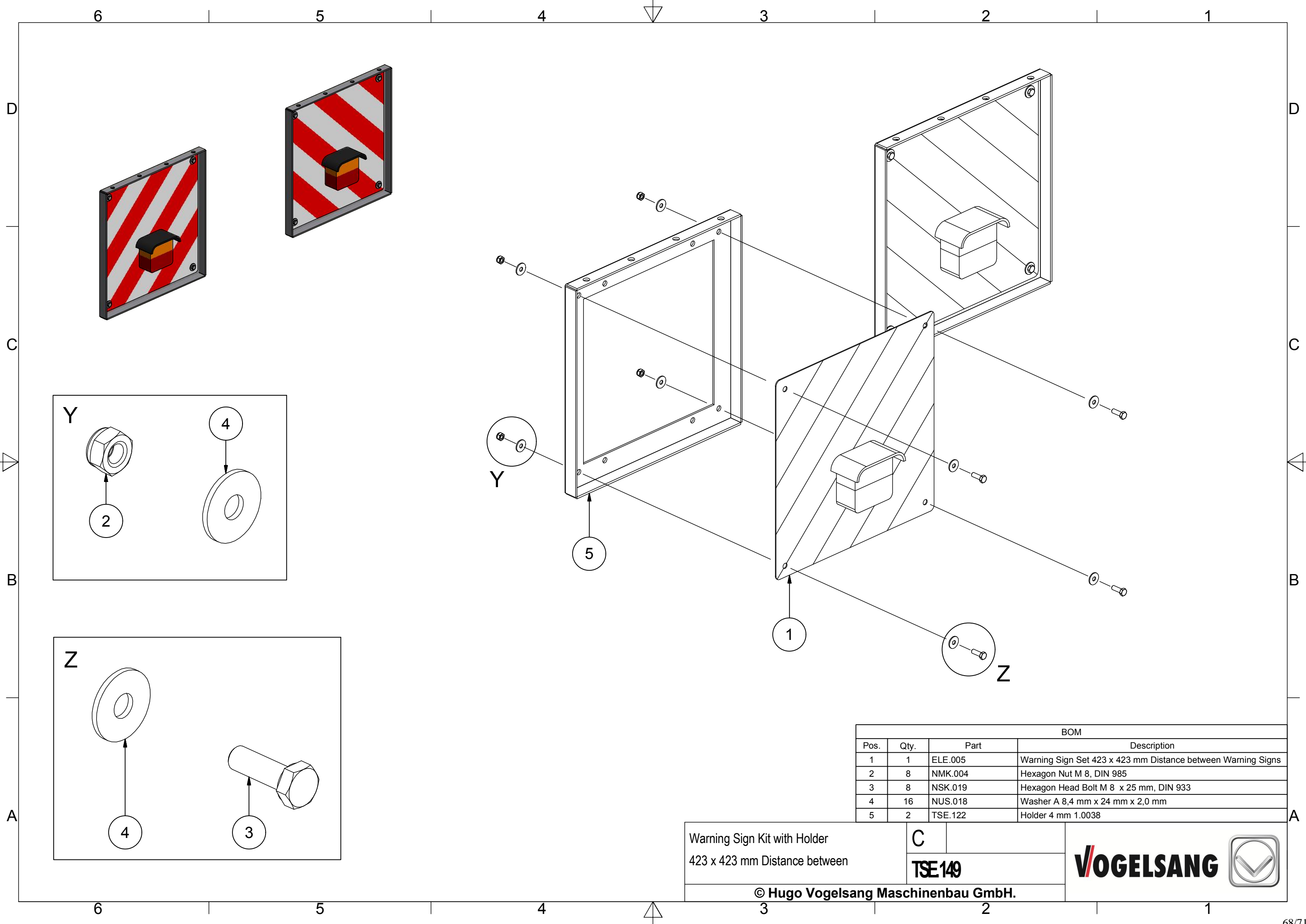
D

TSZ0020

VOGELSANG



© Vogelsang GmbH & Co. KG



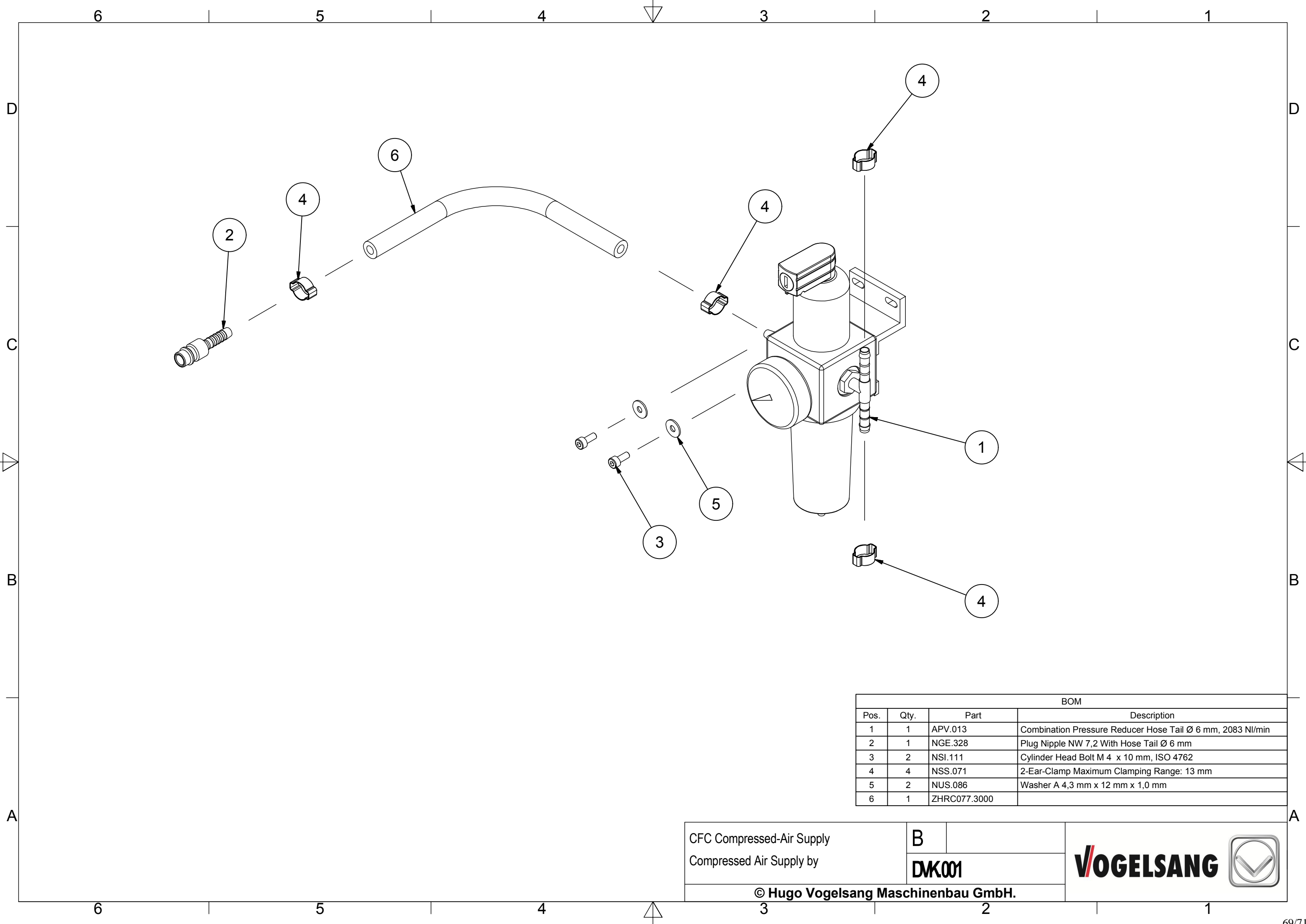
BOM			
Pos.	Qty.	Part	Description
1	1	ELE.005	Warning Sign Set 423 x 423 mm Distance between Warning Signs
2	8	NMK.004	Hexagon Nut M 8, DIN 985
3	8	NSK.019	Hexagon Head Bolt M 8 x 25 mm, DIN 933
4	16	NUS.018	Washer A 8,4 mm x 24 mm x 2,0 mm
5	2	TSE.122	Holder 4 mm 1.0038

Warning Sign Kit with Holder
423 x 423 mm Distance between


C
TSE149

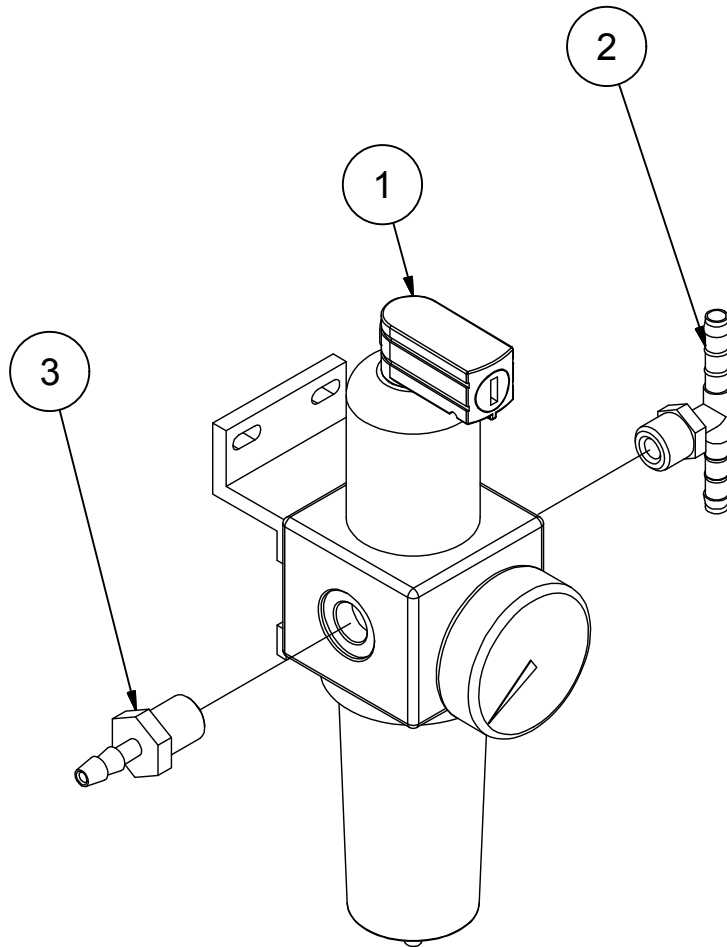
VOGELANG

© Hugo Vogelsang Maschinenbau GmbH.



BOM			
Pos.	Qty.	Part	Description
1	1	APV.013	Combination Pressure Reducer Hose Tail Ø 6 mm, 2083 NI/min
2	1	NGE.328	Plug Nipple NW 7,2 With Hose Tail Ø 6 mm
3	2	NSI.111	Cylinder Head Bolt M 4 x 10 mm, ISO 4762
4	4	NSS.071	2-Ear-Clamp Maximum Clamping Range: 13 mm
5	2	NUS.086	Washer A 4,3 mm x 12 mm x 1,0 mm
6	1	ZHRC077.3000	

CFC Compressed-Air Supply Compressed Air Supply by	B	
	DKK001	
© Hugo Vogelsang Maschinenbau GmbH.		



BOM			
Pos.	Qty.	Part	Description
1	1	APV0069	Combination Pressure Reducer FT 1/4 inch, 2083 NI/min
2	1	NGE.323	T-Shaped Hose Tail MT 1/4 inch x Ø 6 mm
3	1	NGE.327	Hose Tail MT 1/4 inch x Ø 6 mm

Combination Pressure Reducer
Hose Tail Ø 6 mm, 2083 NI/min

A

APV.013

© Hugo Vogelsang Maschinenbau GmbH.

VOGELSANG



**Vogelsang GmbH & Co. KG**

Holthöhe 10-14, 49632 Essen/Oldb., GERMANY

Phone: +49 (0) 5434 83 83 83
+49 (0) 5434 83 99 99

Fax: +49 (0) 5434 83 10

service@vogelsang.info

www.vogelsang.info

Vogelsang Lutherstadt Eisleben

Gewerbegebiet Rothenschirmbach Nr. 8, 06295 Lutherstadt Eisleben, GERMANY

Phone: +49 (0) 34776 91 92 14

Fax: +49 (0) 34776 91 92 60

ENGINEERED TO WORK**Australia**
Vogelsang Pty. Ltd.
vogelsang.com.au**Denmark**
Vogelsang A/S
vogelsang-as.dk**Italy**
Vogelsang Italy Srl
vogelsang-srl.it**Russia**
Vogelsang Russland
vogelsang.ru**USA**
Vogelsang USA Ltd.
vogelsangusa.com**Austria**
Vogelsang Austria GmbH
vogelsang-austria.at**Finland**
Vogelsang Oy
vogelsang.fi**Malaysia**
Vogelsang Malaysia
vogelsang.info**South Korea**
Vogelsang Korea Co., Ltd.
vogelsang.co.kr**Brasil**
Vogelsang Brasil Ltda.
vogelsang.com.br**France**
Vogelsang France S.A.R.L.
vogelsang.fr**Mexico**
Vogelsang De México
S.de R.L. de CV
vogelsang.mx**Spain**
Vogelsang S.L.
vogelsang.es**China**
Vogelsang Mechanical
Engineering (Shanghai) Co., Ltd.
vogelsang.com.cn**India**
Vogelsang India Private Limited
vogelsangindia.com**Poland**
Vogelsang Poland Sp. z o.o.
vogelsang.pl**Sweden**
Vogelsang Sverige AB
vogelsang.se**Czech Republic**
Vogelsang CZ s.r.o.
vogelsang-czech.cz**Ireland**
Vogelsang Irland
vogelsang.ie**Romania**
Vogelsang Romania SRL
vogelsang.ro**United Kingdom**
Vogelsang Ltd.
vogelsang.co.uk

We reserve the right to make technical modifications to the diagrams and information presented in this document in the event that such modifications become necessary for the enhancement of the machine.