



Spare Parts List

Serial Number

Dribble Bar Linkage DoubleSwing 36 m

Machine Type

SSG1055

Part Number

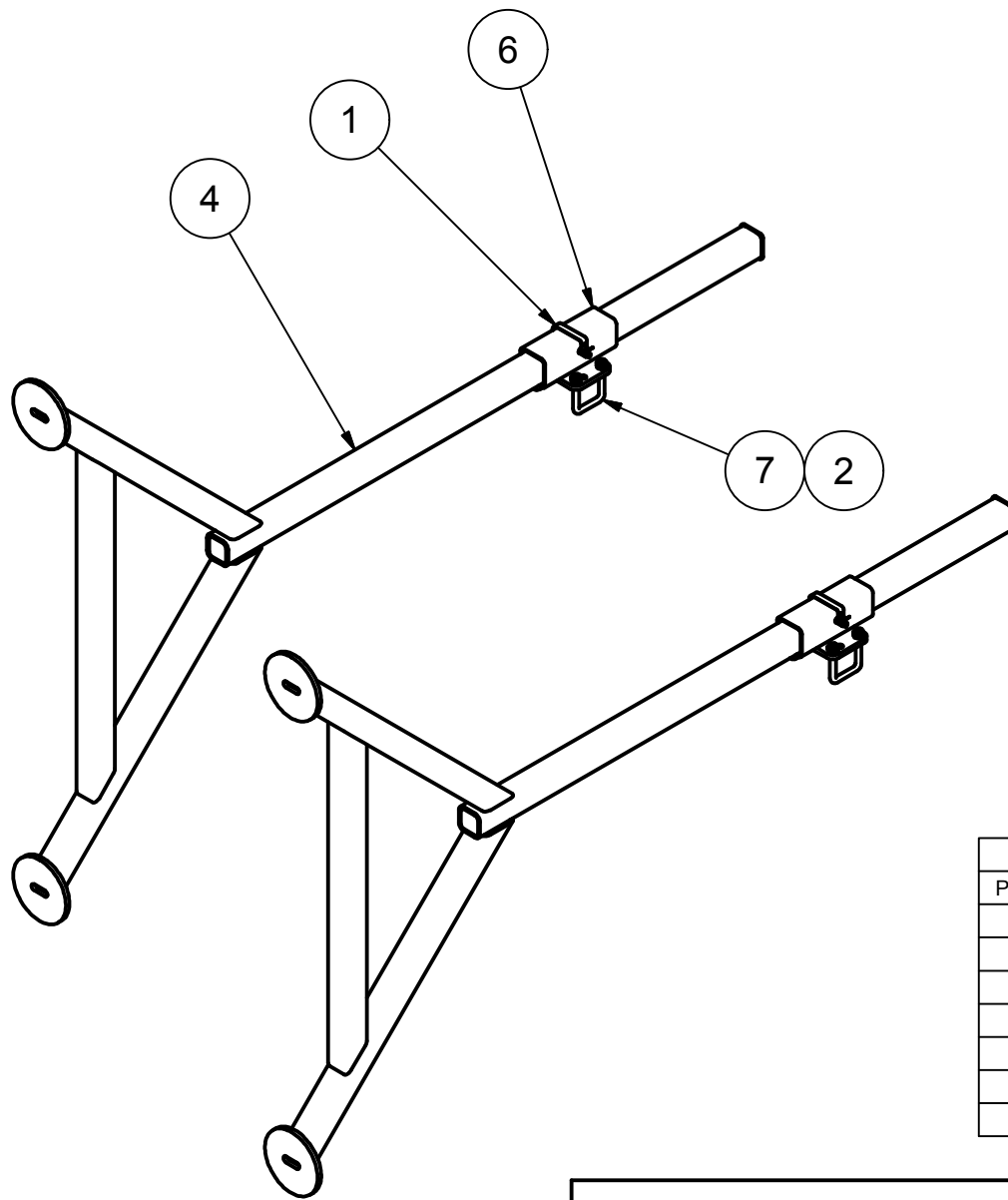
Customer

Order Number

Pos.	Denomination	Quantity	Part	Page
1000	Supporting Frame, Installation Parts DoubleSwing 36 m	1 St	THB0007	
1000.21000	Mounting Foot, Parts Kit DoubleSwing	1 St	TAF.063.T1	5
1000.27000	Slope Compensation Cylinder Ø 50 mm Ø 25 mm, 250 mm	1 St	TSE.092.N2	6
1000.28000	Warning Sign Kit with Holder 423 x 423 mm Distance between	1 St	TSE.149	7
1000.30000	Oscillation Limiter 290 mm x 62 mm	2 St	TSE0029	8
1000.31000	Set of Pins Ø 20 mm x 63 mm	1 St	TSM.122	9
1000.31000.1000	Set of Pins Ø 20 mm x 63 mm	2 St	TSZ.500	10
1000.32000	Assembly Kit Pulley	1 St	TSM.130	11
1000.33000	Assembly Kit Extender Rope	1 St	TSM0027	12
1000.34000	Assembly Kit Extender Rope	1 St	TSM0027	12
1000.35000	Assembly Kit Supporting Frame - Tank	1 St	TSM0047	13
2000	Supporting Frame Holder DoubleSwing 36 m	1 St	SSB0123	
3000	Supporting Frame DoubleSwing 36 m Four-Point Mounting	1 St	SSB0124	
4000	DropStop Pipe, Complete DoubleSwing 36 m Boom	1 St	TDB0053	
4000.12000.14000	Hose Retainer, DropStop Pipe DN 40, Right	1 St	TSZ.328.TR	14
4000.15000	Distance Flap 5 mm, 85 mm	1 St	TSE.202	15
4000.16000	Hose Retainer, DropStop Pipe DN 40, On Both Sides	12 St	TSZ.253	16
4000.17000	Hose Retainer, DropStop Pipe DN 40, Left	8 St	TSZ.254.TL	17
4000.18000	Hose Retainer, DropStop Pipe DN 40, Right	4 St	TSZ.254.TR	18
4000.19000	Hose Retainer, DropStop Pipe DN 40, Right	4 St	TSZ.307.TR	19
4000.20000	Hose Retainer, DropStop Pipe DN 40, On Both Sides	1 St	TSZ.329	20
5000	DropStop Pipe, Complete DoubleSwing 36 m Boom	1 St	TDB0054	
5000.16000.13000	Hose Retainer, DropStop Pipe DN 40, Left	1 St	TSZ.328.TL	21
5000.21000	Hose Retainer, DropStop Pipe DN 40, On Both Sides	12 St	TSZ.253	16
5000.22000	Hose Retainer, DropStop Pipe DN 40, Left	4 St	TSZ.254.TL	17
5000.23000	Hose Retainer, DropStop Pipe DN 40, Right	8 St	TSZ.254.TR	18
5000.24000	Hose Retainer, DropStop Pipe DN 40, Left	4 St	TSZ.307.TL	22
5000.25000	Hose Retainer, DropStop Pipe DN 40, On Both Sides	1 St	TSZ.329	20
6000	Security Boom DoubleSwing 36 m	1 St	TSB0031	
6000.30000	Set of Pins M 24 x 130 mm	1 St	TSZ0008	23

Pos.	Denomination	Quantity	Part	Page
7000	Security Boom DoubleSwing 36 m	1 St	TSB0032	
7000.30000	Set of Pins M 24 x 130 mm	1 St	TSZ0008	23
8000	Main Boom DoubleSwing 36 m	1 St	TSB0021	
9000	Main Boom DoubleSwing 36 m	1 St	TSB0022	
10000	Boom DoubleSwing 36 m	1 St	TSB0023	
10000.20000.13000	DropStop Actuation Cable Pull, Short	1 St	TES.401	24
10000.20000.17000	Assembly Kit Rope Length Adjustment	4 St	TSE.424	25
10000.20000.18000	Assembly Kit Mounting	4 St	TSM.135	26
10000.20000.20000	Assembly Kit Cord Reel	4 St	TSZ.503	27
11000	Boom DoubleSwing 36 m	1 St	TSB0024	
11000.26000.13000	DropStop Actuation Cable Pull, Short	1 St	TES.401	24
11000.26000.17000	Assembly Kit Rope Length Adjustment	4 St	TSE.424	25
11000.26000.18000	Assembly Kit Mounting	4 St	TSM.135	26
11000.26000.20000	Assembly Kit Cord Reel	4 St	TSZ.503	27
12000		2 St	TSZ0033	
12000.9000	Distributor Holder ECL	1 St	THM.126.N1	28
13000	Assembly Kit Security Boom Holder	1 St	TSM0030	
14000	Assembly Kit Security Boom Holder	1 St	TSM0152	
15000	T-Fitting, Supporting Frame DoubleSwing 36 m	1 St	TSM0423	
16000	Assembly Kit Lift Limiter	1 St	TSE.113	29
17000	Spiral Hose Ø 40 mm x 3,7 mm, PVC, 3 bar Transparent Green	300 m	HSC.016	
18000	Hose Section Ø 40 mm x 3,7 mm, 600 mm PVC, Transparent	60 St	HSC.043	
20000	ExaCut ECL30 DN40	2 St	DPK0734	30
20000.10	Housing, Parts Kit ECL30-40	1 St	GEC.002	31
20000.10.3000	ExaCut, Installation Parts ECL/ECLEO30-40	1 St	TZL.602	32
20000.10.3000.100	Drive Adapter Single Ventilation	1 St	TAS.013	33
20000.10.3000.100	Seal Kit ExaCut Shaft Diameter Ø 32 mm	1 St	DDS0016	34
20000.20	Cutting Ring ECL30-40	2 St	TFL.615.N3	
20000.30	ExaCut Rotor DN 100 / 125	1 St	GER0009	35
20000.40	Hydraulic Motor 250 cm ³ /U, 32,0 mm	1 St	AOM.018	

Pos.	Denomination	Quantity	Part	Page
20000.50	Eccentric Adjuster ECL/ECV 100%	2 St	TEV.005.N1	36
20000.50.2000	Torsion Spring Set Double Torsion Spring with Torsion	1 St	NFE0084	37
20000.60	Label Turn off Drive	2 St	VAU.013	
20000.70	Label Caution: Risk of Hand Injuries 100 mm x 113 mm	2 St	VAU.014	
20000.80	Label Operating Instructions	1 St	VAU.133	
20000.90	Label Vogelsang Logo	2 St	VAU0046	
20000.100	Name Plate 50 x 60 General	1 St	VAU0001	
21000	Hydraulic Parts SwingMax3	1 St	TEH0071	38
22000	Hydraulic Parts DoubleSwing 36 m	1 St	TEH0153	
23000	Hydraulic Hose 2 SN DN 6 x 2800 mm	2 St	THZ.106	
24000	Comfort Flow Control Number of Switch Off:4 Sections No. of	1 St	CPK0008	
24000.10	CFC Compressed-Air Supply Compressed Air Supply by	1 St	DVK.001	39
24000.10.1000	Combination Pressure Reducer Hose Tail Ø 6 mm, 2083 NI/min	1 St	APV.013	40
24000.20	Terminal Box Equipped Comfort Flow Control	1 St	ELE0057	41
24000.30	CFC-Actuation (Valve) Electrical Operation 12 V	1 St	EPV.004	42
24000.30.3000	CFC Quick Vent Valve Elbow	4 St	TPV0001	43
24000.40.14000	CFC Quick Vent Valve Elbow	4 St	TPV0001	43
24000.50	5 CFC pro Gruppe mit Zubehör Version: DN40 Anschluß auf	8 St	TSZ.421	44
25000		1 St	ELE0001	
26000	Comfort Flow Control Inlet DN 40, Outlet DN 40	5 St	TSM.016.TL	
27000	Comfort Flow Control Inlet DN 40, Outlet DN 40	5 St	TSM.016.TR	



BOM			
Pos.	Qty.	Part	Description
1	4	NBO.007	Spring Cotter Pin Ø 12 mm x 80 mm
2	8	NMK.002	Hexagon Nut M 12, DIN 985
3	4	NST.004	Square Plug 60 mm x 60 mm x 14 mm
4	2	SSB0441	Mounting Foot SwingMax4
5	2	TAF.056.N1	Mounting Foot SwingMax3
6	2	TAF.057	Holder Steel
7	4	THA.032	Rectangular Bracket M 12 60 mm x 85 mm, 25 mm

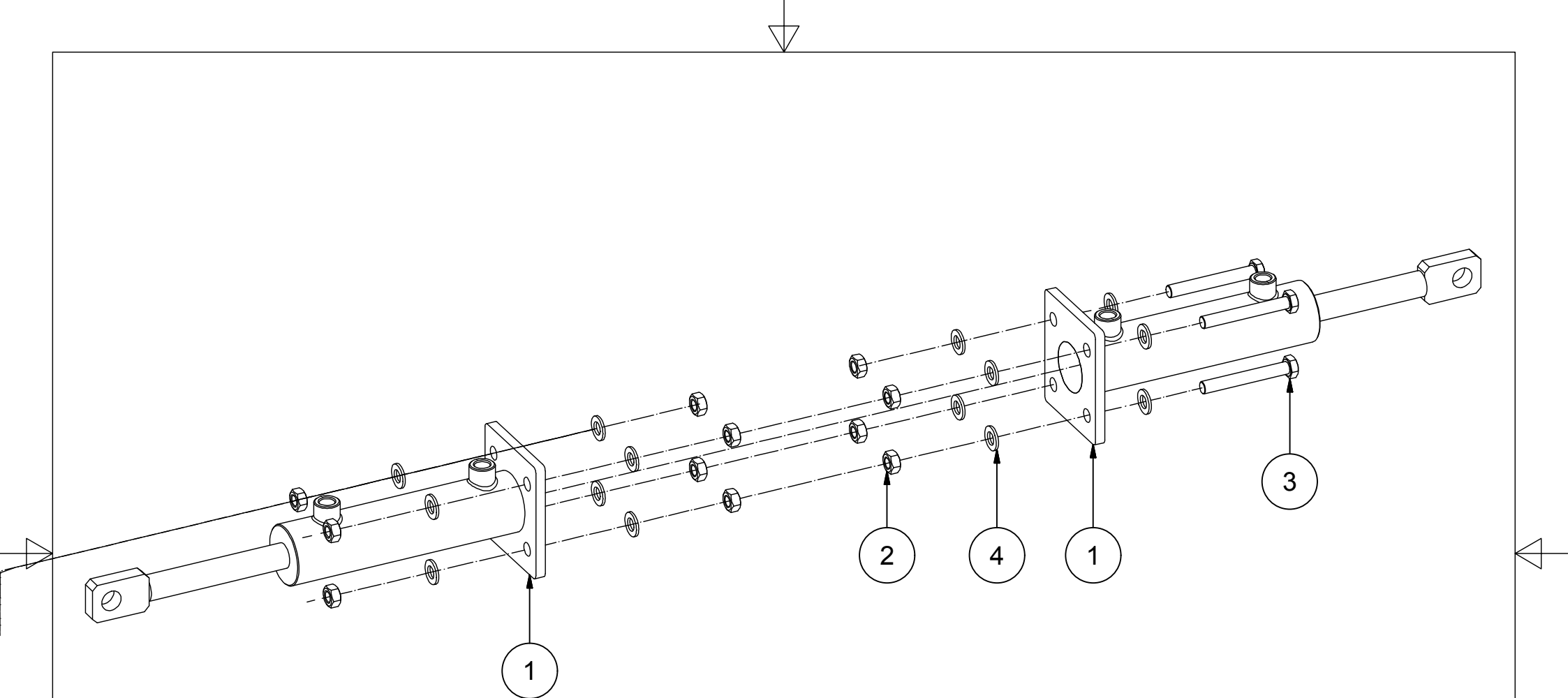
Mounting Foot, Parts Kit
DoubleSwing

A

TAF.063.T1

VOGELSANG





BOM			
Pos.	Qty.	Part	Description
1	2	AHZ.045	Hydraulic Cylinder Ø 50 mm Ø 25 mm, 125 mm
2	12	NMS.004	Hexagon Nut M 12, DIN 934
3	4	NSK.133	Hexagon Head Bolt M 12 x 90 mm, DIN 933
4	16	NUS.005	Washer A 13,0 mm x 24 mm x 2,5 mm

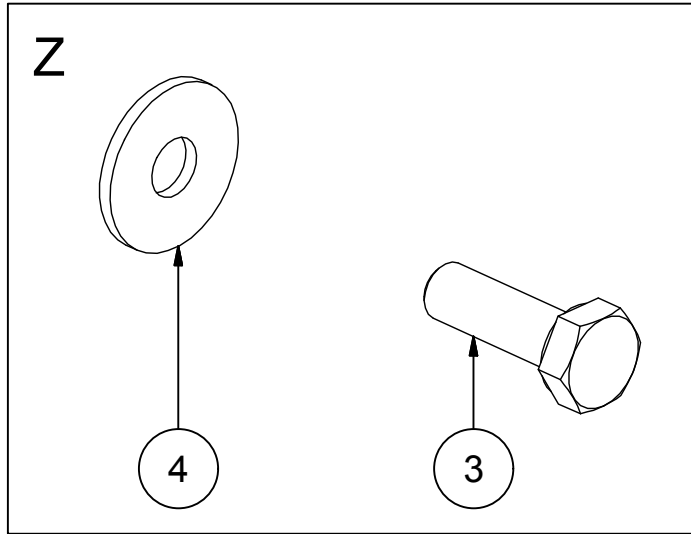
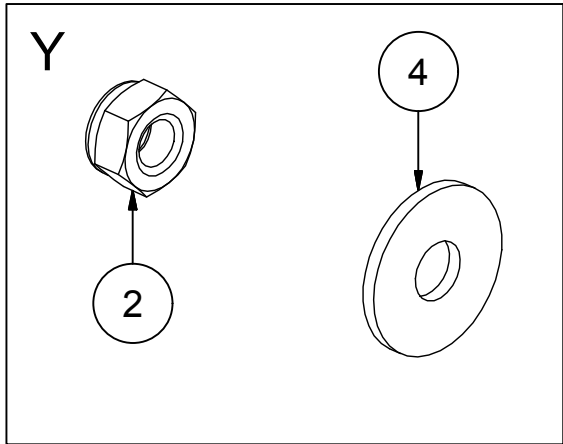
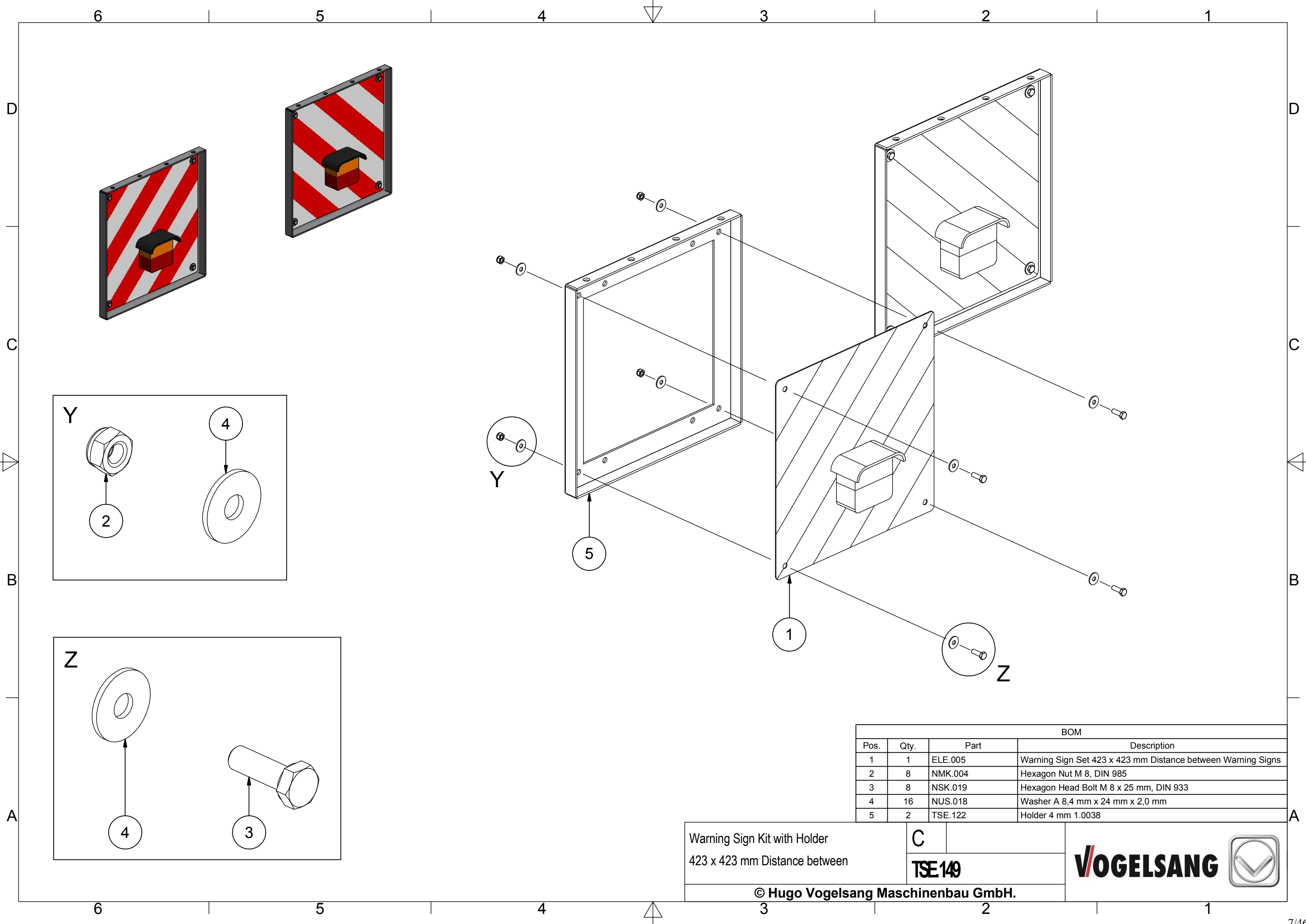
Slope Compensation Cylinder
 Ø 50 mm Ø 25 mm, 250 mm

B

TSE092N2

VOGELSANG





BOM			
Pos.	Qty.	Part	Description
1	1	ELE.005	Warning Sign Set 423 x 423 mm Distance between Warning Signs
2	8	NMK.004	Hexagon Nut M 8, DIN 985
3	8	NSK.019	Hexagon Head Bolt M 8 x 25 mm, DIN 933
4	16	NUS.018	Washer A 8,4 mm x 24 mm x 2,0 mm
5	2	TSE.122	Holder 4 mm 1.0038

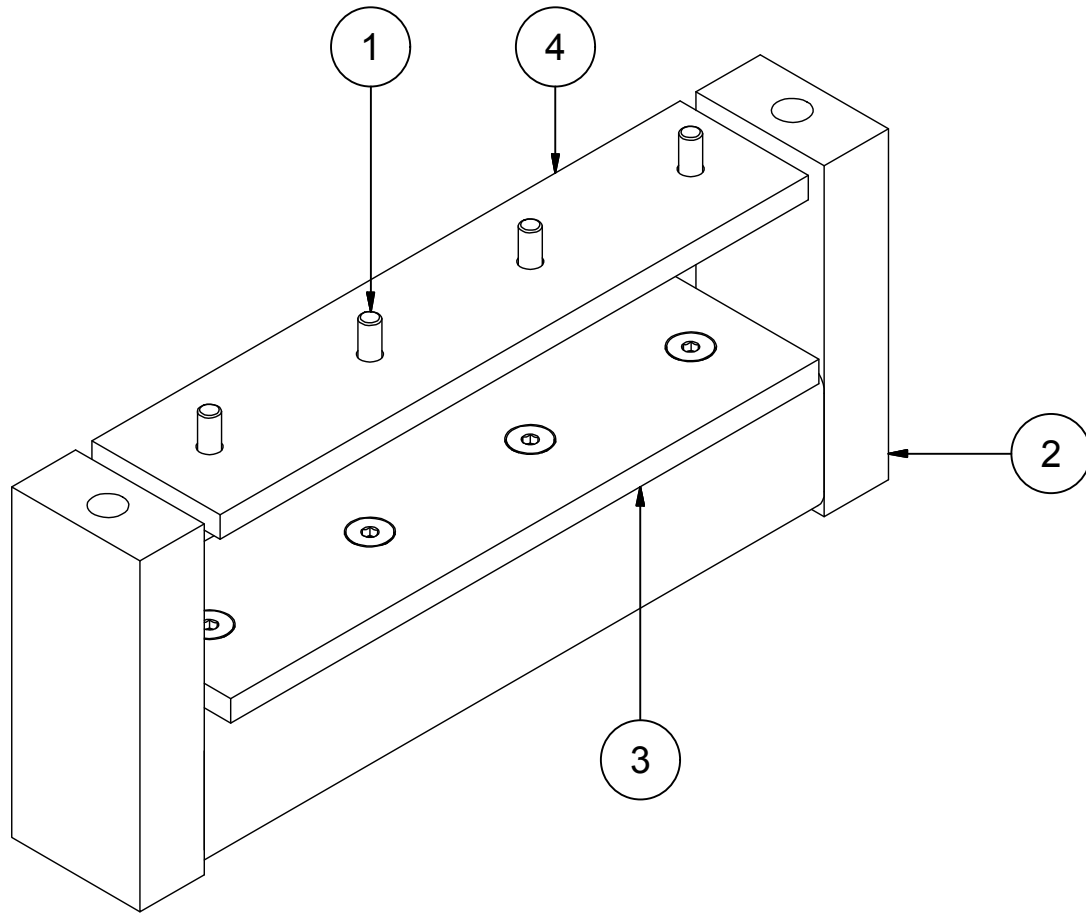
Warning Sign Kit with Holder
423 x 423 mm Distance between

C

TSE149

VOGELANG

© Hugo Vogelsang Maschinenbau GmbH.



BOM			
Pos.	Qty.	Part	Description
1	8	NSI.079	Countersunk Bolt M 8 x 25 mm, ISO 10642
2	1	TSE.121	Oscillation Limiter, Welded Part 290 mm x 82 mm Steel
3	1	TSE.418	Spacer 70 mm x 10 mm x 275 mm
4	1	TSE0033	Spacer 60 mm x 10 mm x 275 mm

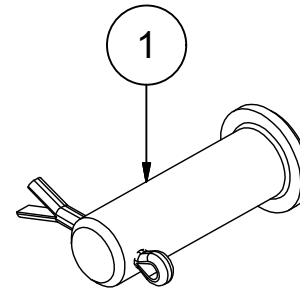
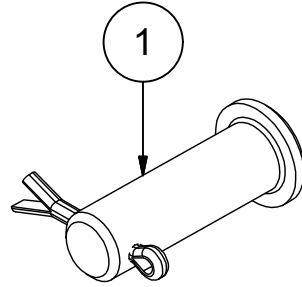
Oscillation Limiter
290 mm x 62 mm

A

TSE0029

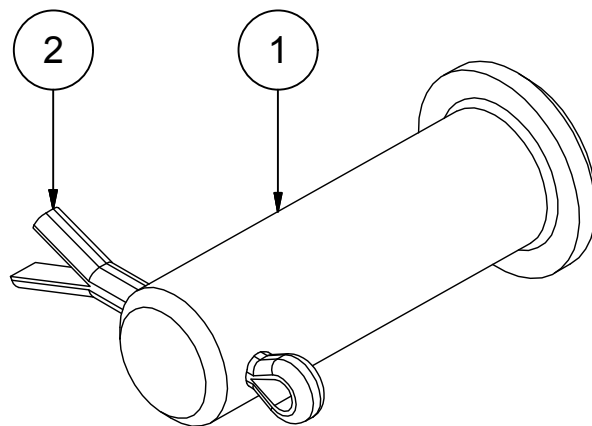
VOGELSANG





BOM			
Pos.	Qty.	Part	Description
1	2	TSZ.500	Set of Pins Ø 20 mm x 63 mm

Set of Pins Ø 20 mm x 63 mm	A	
	TSM122	



BOM			
Pos.	Qty.	Part	Description
1	1	NBO.008	Spring Cotter Bolt Ø 20 mm x 55 mm
2	1	NSP.012	Split Pin Ø 5,0 mm x 40 mm

Set of Pins
 Ø 20 mm x 63 mm

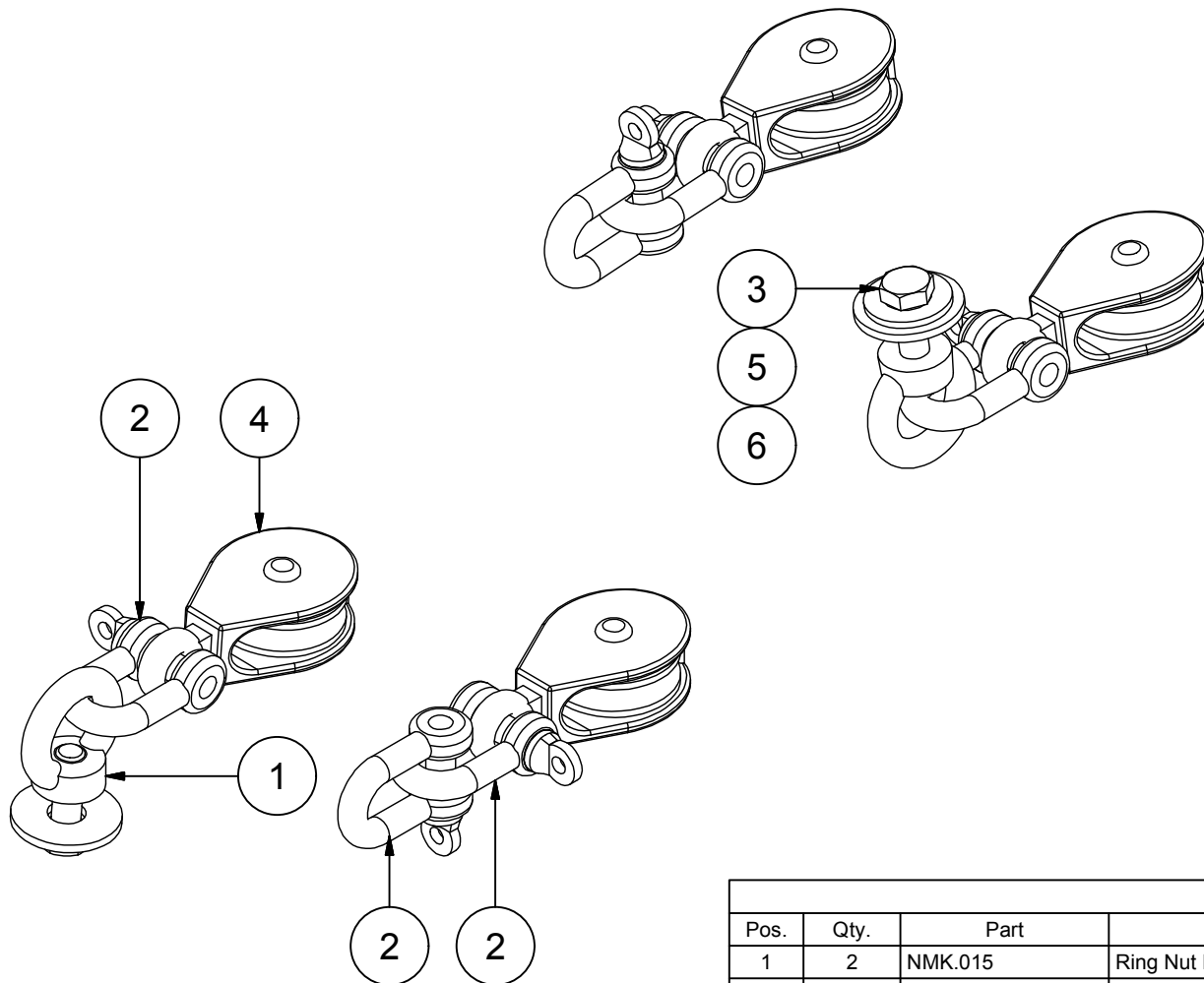
B

TSZ500



VOGELSANG

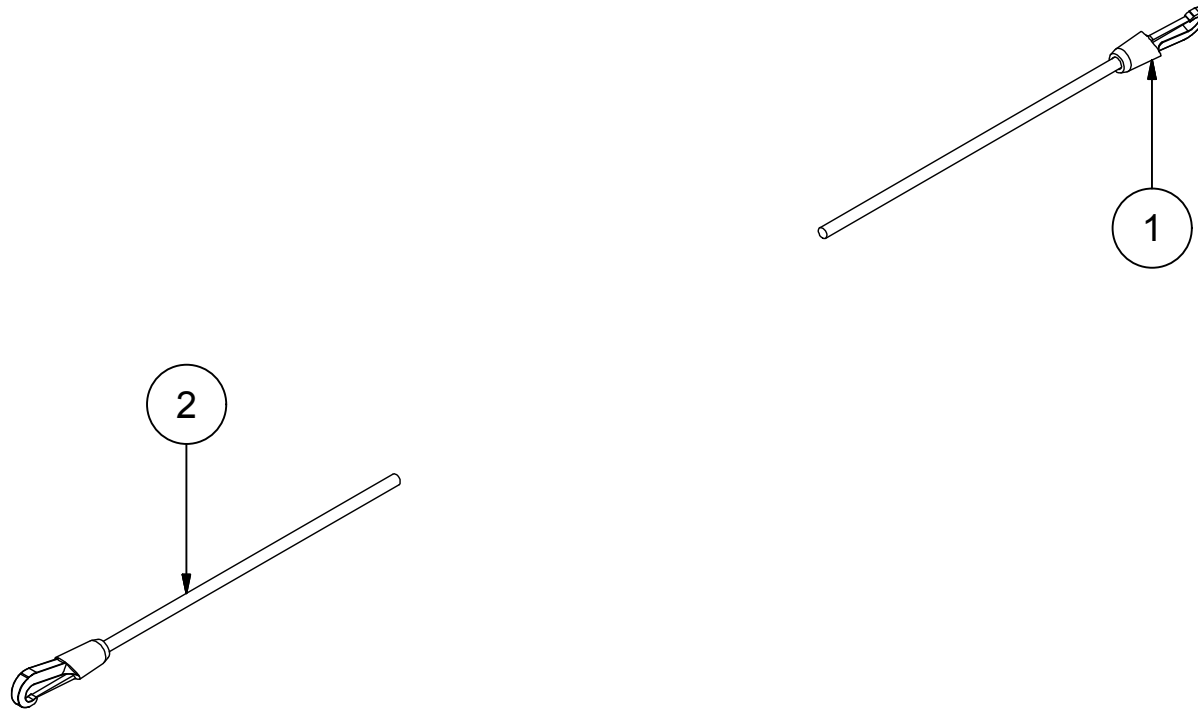


© Hugo Vogelsang Maschinenbau GmbH.



BOM			
Pos.	Qty.	Part	Description
1	2	NMK.015	Ring Nut M 8, DIN 582
2	6	NSC.032	Clevis Nominal Size 0,25-DIN 82101 A
3	2	NSK.019	Hexagon Head Bolt M 8 x 25 mm, DIN 933
4	4	NSR.018	Pulley Ø 36 mm
5	2	NUS.018	Washer A 8,4 mm x 24 mm x 2,0 mm
6	2	NUS.026	Washer A 10,5 mm x 30 mm x 2,5 mm

Assembly Kit Pulley	A	 
	TSM130	



BOM			
Pos.	Qty.	Part	Description
1	2	SKB.001	Snap Hook 70 mm x
2	1	ZSEX001.1500	

Assembly Kit
Extender Rope

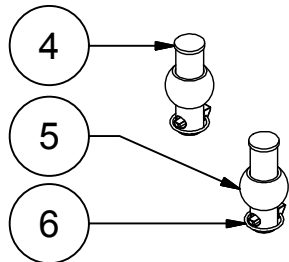
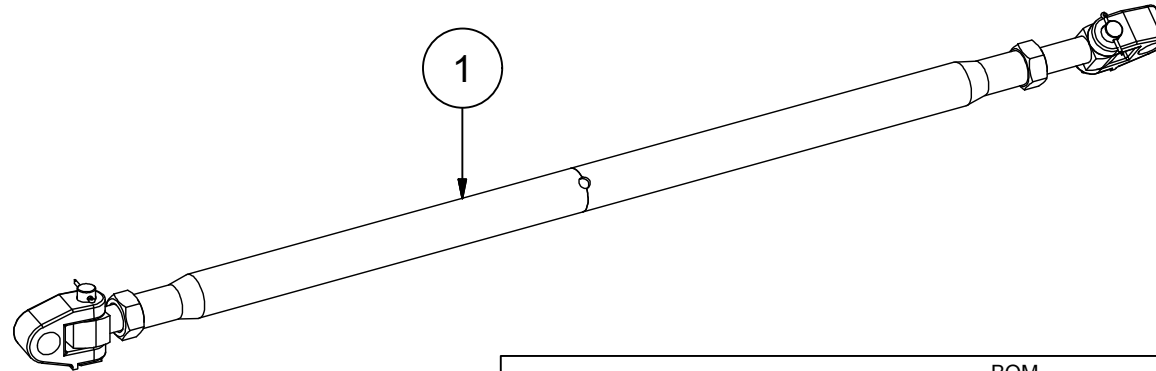
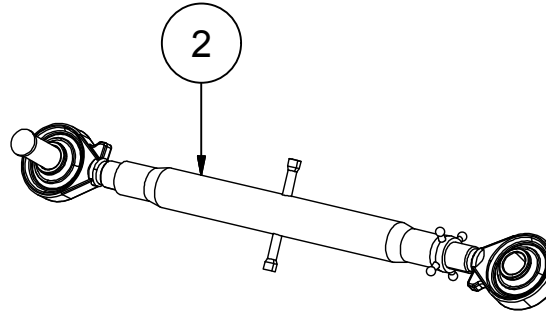
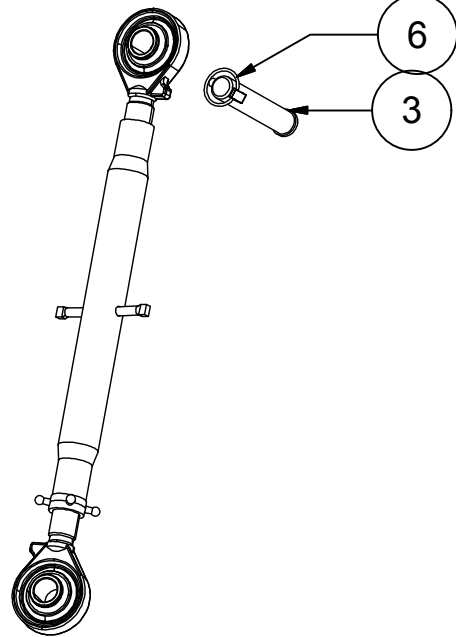
A

TSM0027

VOGELSANG



© Hugo Vogelsang Maschinenbau GmbH.



BOM			
Pos.	Qty.	Part	Description
1	1	GOL.003	Mechanical Top Link Category 3
2	2	GOL.004	Mechanical Top Link Category 3
3	2	GRS.014	Spring Cotter Bolt Ø 31,7 mm x 161 mm
4	2	GRS.015	Spring Cotter Bolt Ø 36,6 mm x 115 mm
5	2	GUL.002	Lower Link, Ball Ø 37 mm, Category 3
6	4	NKL.002	Clip Pin Ø 11 mm x 45 mm

Assembly Kit
Supporting Frame - Tank

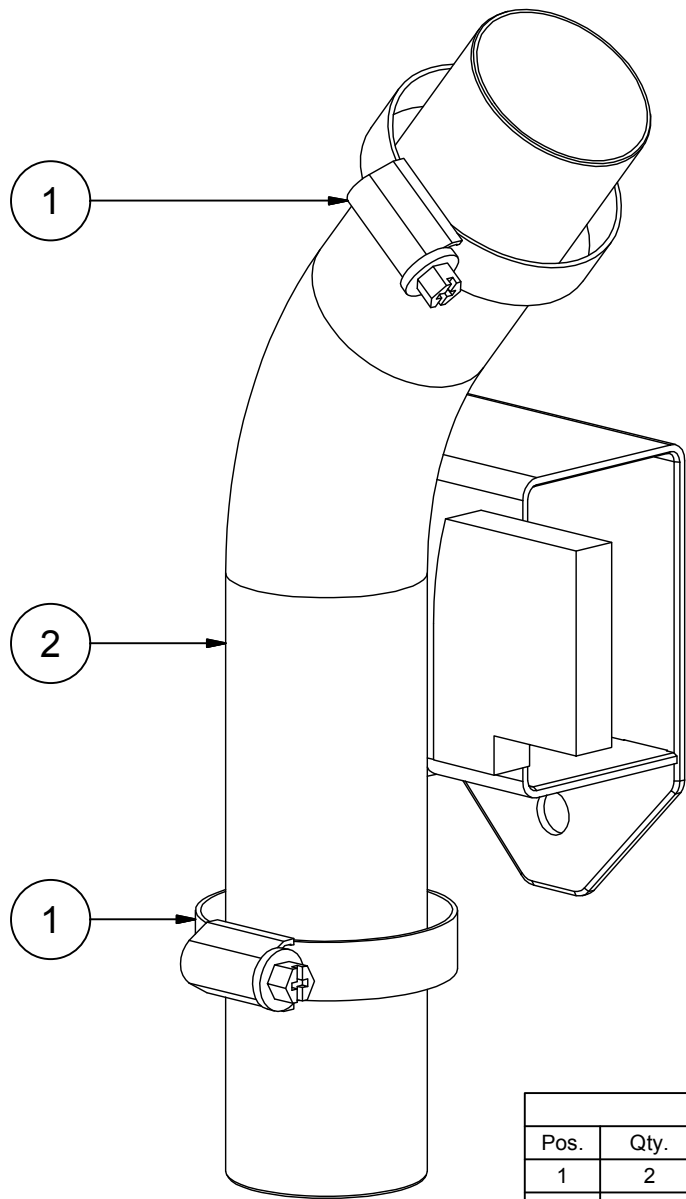
B

TSM0047

VOGELSANG



© Hugo Vogelsang Maschinenbau GmbH.

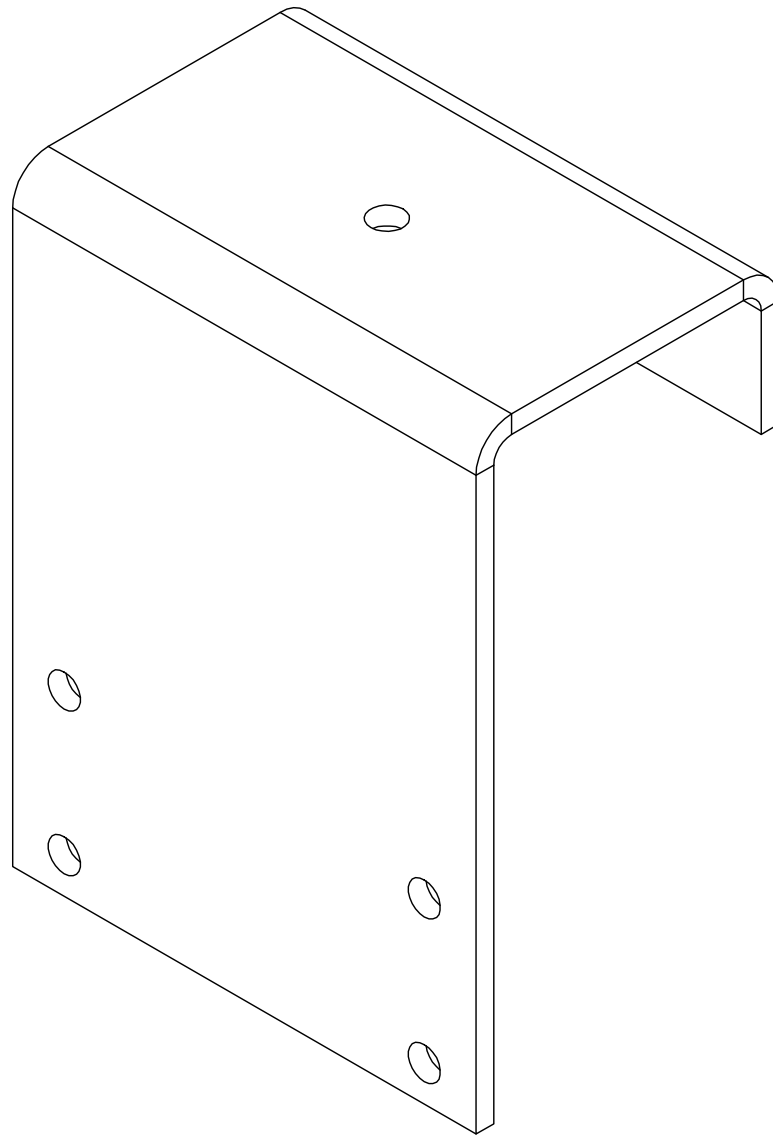


BOM			
Pos.	Qty.	Part	Description
1	2	NSS.014	Worm Drive Hose Clip Maximum Clamping Range: 50 mm
2	1	TSE.109.TR	Hose Retainer, DropStop Pipe Type 5, Bent

Hose Retainer, DropStop Pipe
DN 40, Right

B
TSZ328.TR





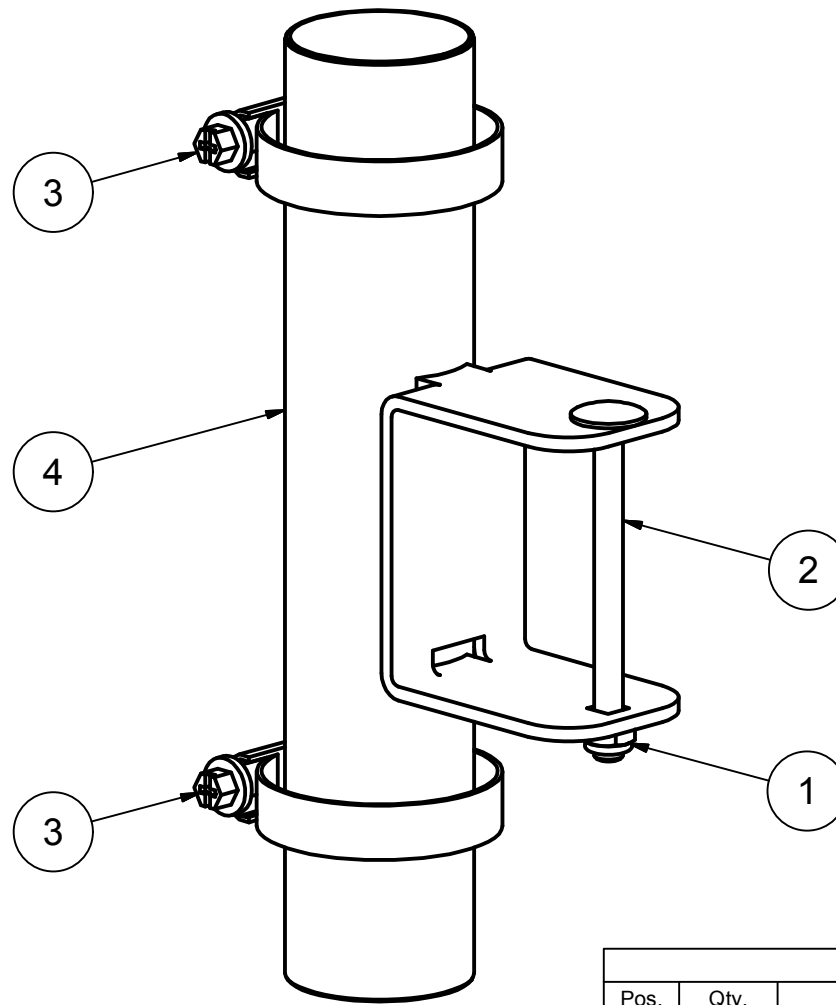
Distance Flap
5 mm, 85 mm

E

TSE202

V/OGELSANG





BOM			
Pos.	Qty.	Part	Description
1	1	NMK.003.EE	Hexagon Nut M 6, DIN 985
2	1	NSC.034.E	Mushroom Head Bolt M 6 x 75 mm, DIN 603 A2 Thread
3	2	NSS.014	Worm Drive Hose Clip Maximum Clamping Range: 50 mm
4	1	TSE.147	Hose Retainer, DropStop Pipe Type 1, Straight

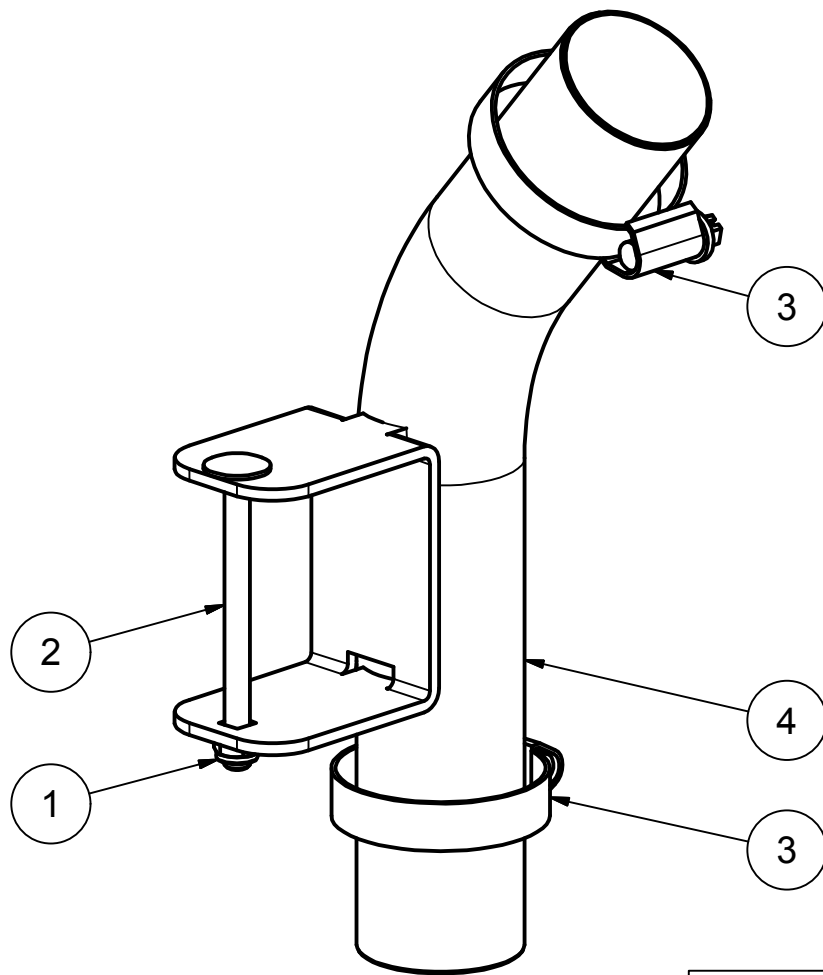
Hose Retainer,
DropStop Pipe
DN 40, On Both Sides

B

TSZ253

VOGELSANG





BOM			
Pos.	Qty.	Part	Description
1	1	NMK.003.EE	Hexagon Nut M 6, DIN 985
2	1	NSC.034.E	Mushroom Head Bolt M 6 x 75 mm, DIN 603 A2 Thread
3	2	NSS.014	Worm Drive Hose Clip Maximum Clamping Range: 50 mm
4	1	TSE.148.TL	Hose Retainer, DropStop Pipe Type 1, Bent

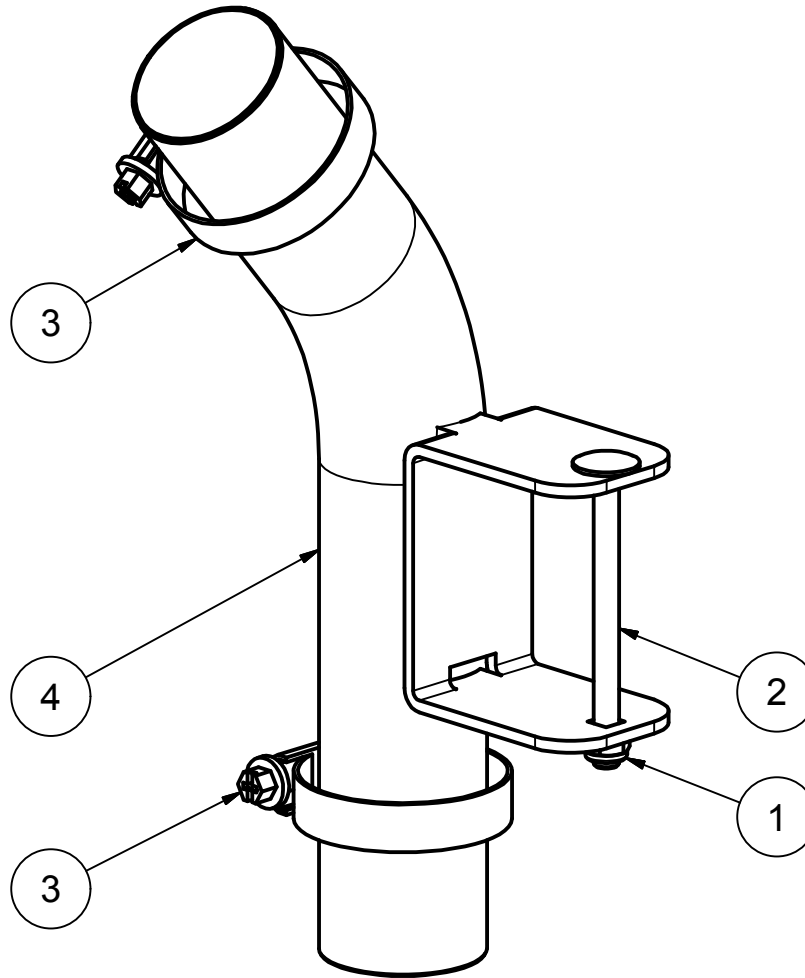
Hose Retainer,
DropStop Pipe
DN 40, Left

B

TSZ254TL

VOGELSANG





BOM			
Pos.	Qty.	Part	Description
1	1	NMK.003.EE	Hexagon Nut M 6, DIN 985
2	1	NSC.034.E	Mushroom Head Bolt M 6 x 75 mm, DIN 603 A2 Thread
3	2	NSS.014	Worm Drive Hose Clip Maximum Clamping Range: 50 mm
4	1	TSE.148.TR	Hose Retainer, DropStop Pipe Type 1, Bent

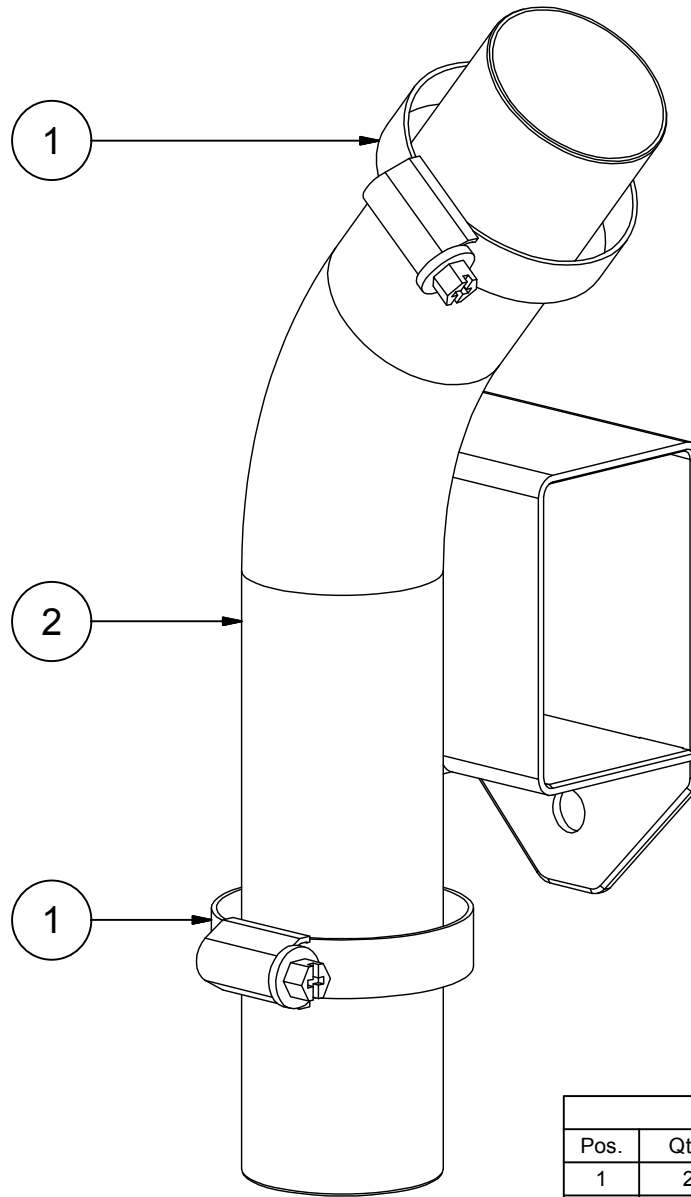
Hose Retainer,
DropStop Pipe
DN 40, Right

B

TSZ254TR

VOGELSANG





BOM			
Pos.	Qty.	Part	Description
1	2	NSS.014	Worm Drive Hose Clip Maximum Clamping Range: 50 mm
2	1	TSE.080.TR	Hose Retainer, DropStop Pipe Type 5, Bent

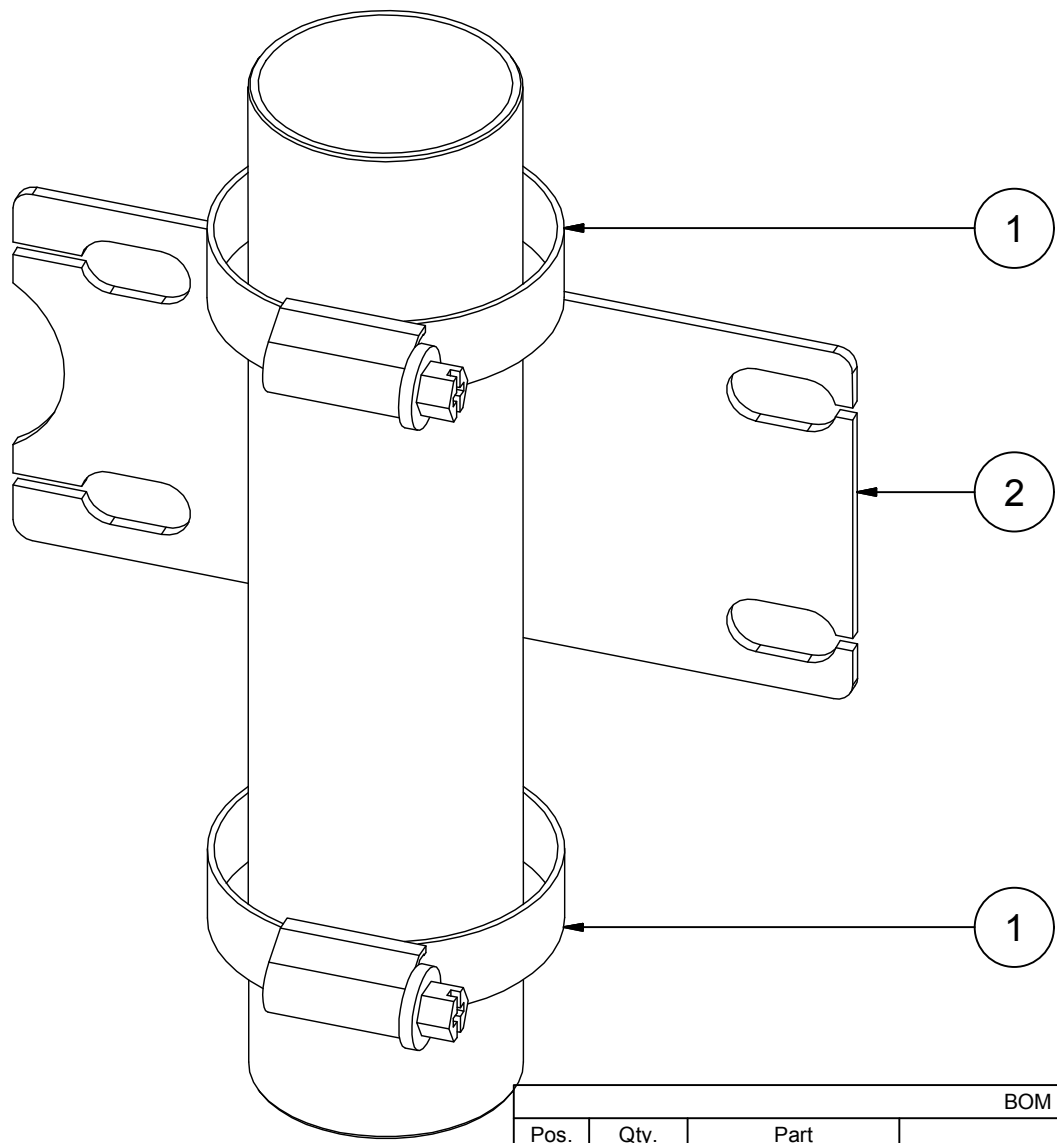
Hose Retainer,
DropStop Pipe
DN 40, Right

B

TSZ307.TR

VOGELSANG



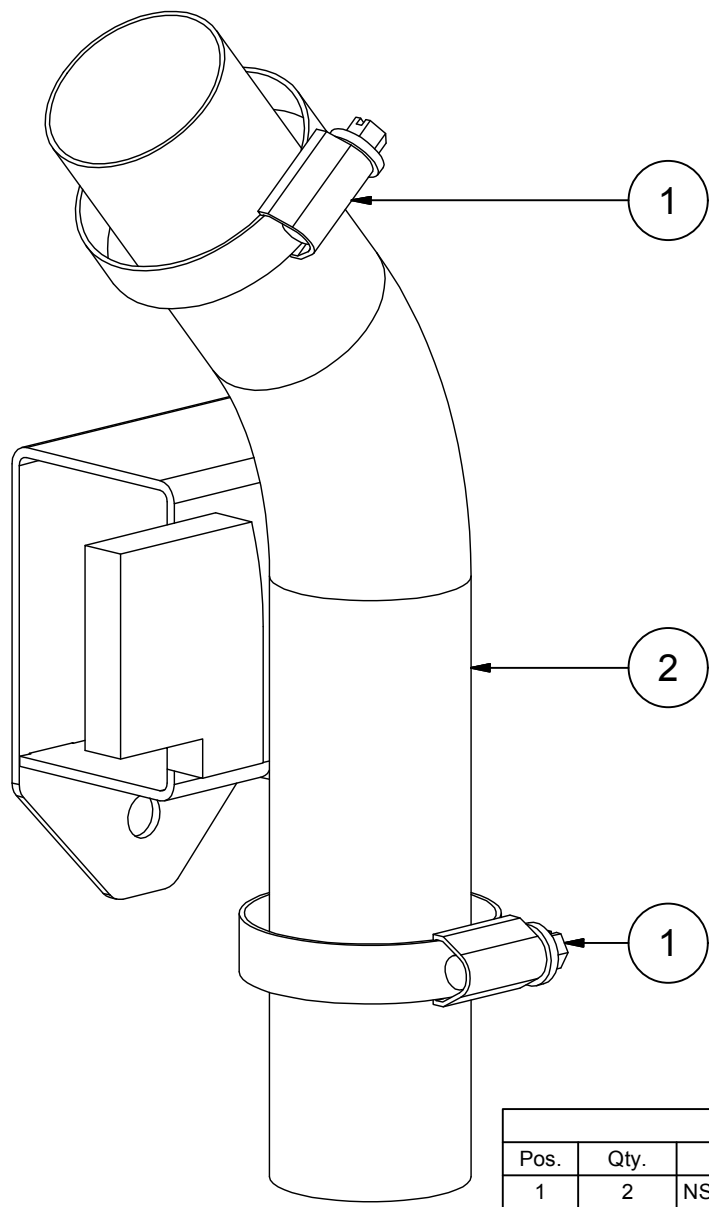


BOM			
Pos.	Qty.	Part	Description
1	2	NSS.014	Worm Drive Hose Clip Maximum Clamping Range: 50 mm
2	1	TSE.108	Hose Retainer, DropStop Pipe Type 4, Straight


Hose Retainer,
DropStop Pipe
DN 40, On Both
Sides

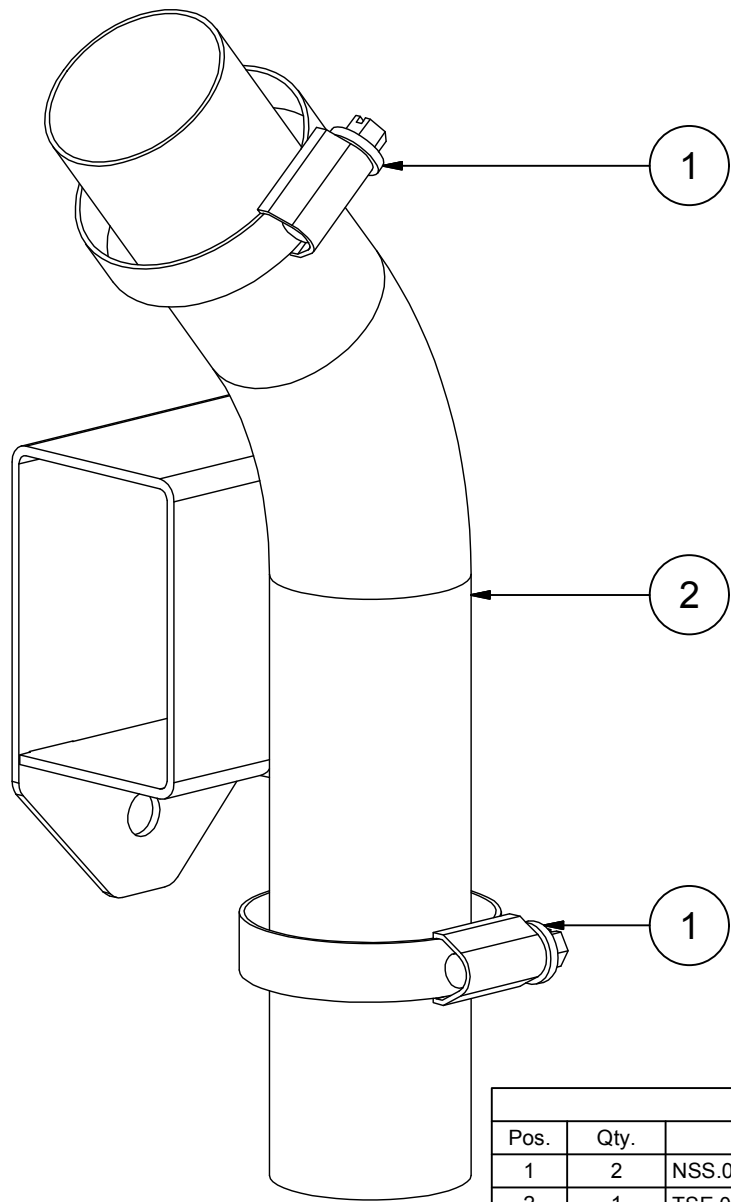
B
TSZ329





BOM			
Pos.	Qty.	Part	Description
1	2	NSS.014	Worm Drive Hose Clip Maximum Clamping Range: 50 mm
2	1	TSE.109.TL	Hose Retainer, DropStop Pipe Type 5, Bent

Hose Retainer, DropStop Pipe DN 40, Left	B	
	TSZ328.TL	

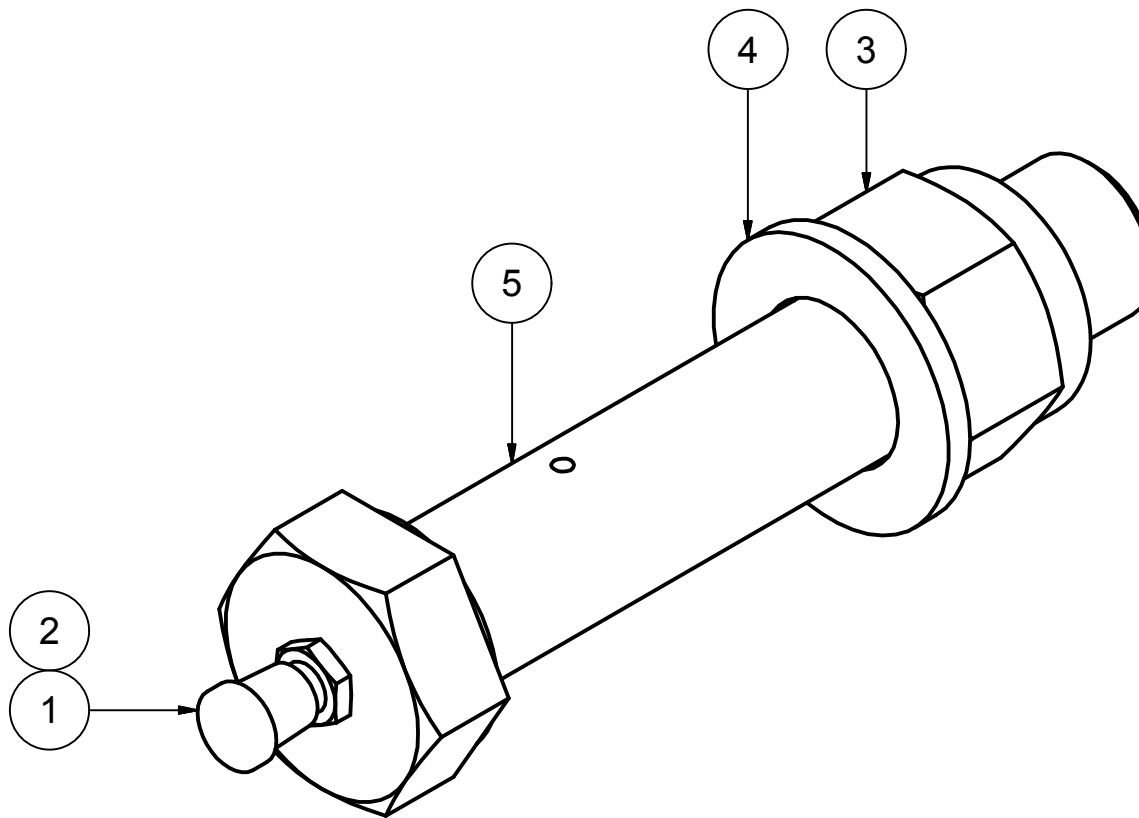


BOM			
Pos.	Qty.	Part	Description
1	2	NSS.014	Worm Drive Hose Clip Maximum Clamping Range: 50 mm
2	1	TSE.080.TL	Hose Retainer, DropStop Pipe Type 5, Bent

Hose Retainer,
DropStop Pipe
DN 40, Left

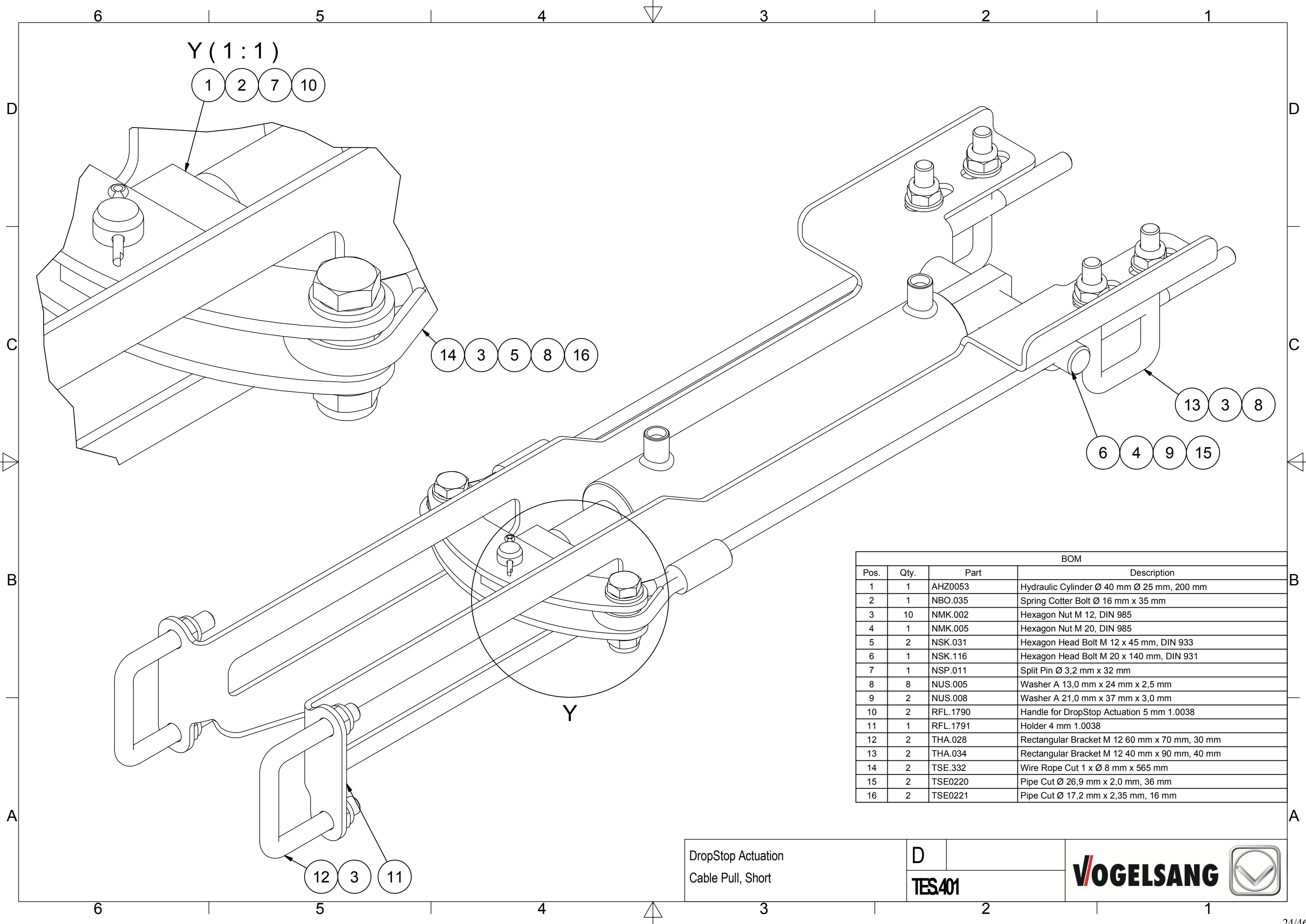
B
TSZ307.TL





BOM			
Pos.	Qty.	Part	Description
1	1	BKA.001	Grease Nipple Cap Ø 12 mm x 12 mm
2	1	NKS.001	Grease Nipple H1 M 10 x 1 mm
3	1	NMK.006	Hexagon Nut M 24, DIN 985
4	1	NUS.028	Washer A 25,0 mm x 44 mm x 4,0 mm
5	1	TBO.003	Hexagon Head Bolt M 24 x 130 mm,

Set of Pins M 24 x 130 mm	A	
	TSZ008	

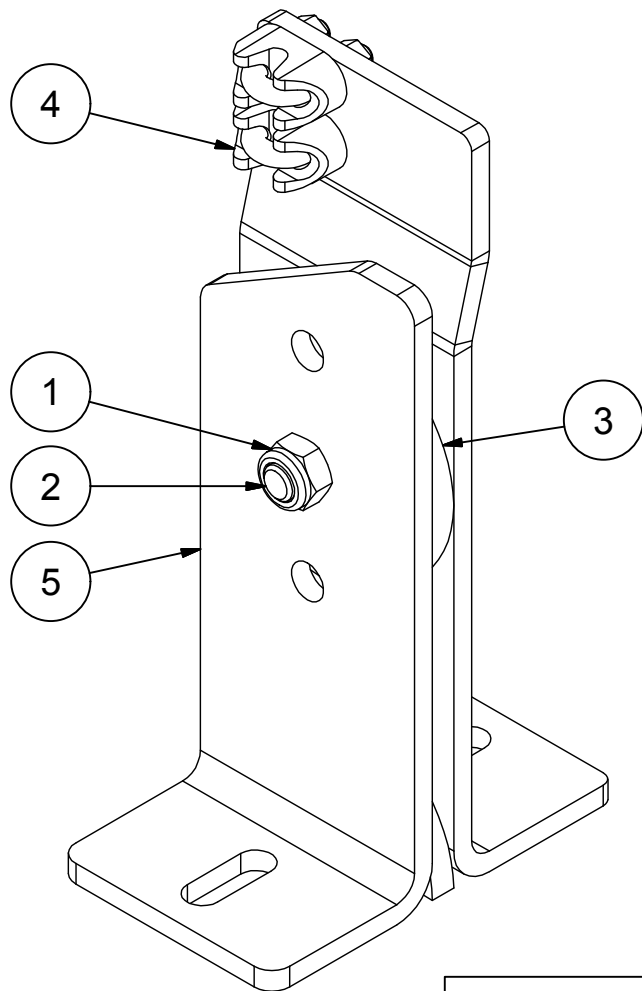


BOM			
Pos.	Qty.	Part	Description
1	1	AHZ0053	Hydraulic Cylinder Ø 40 mm Ø 25 mm, 200 mm
2	1	NBO.035	Spring Cotter Bolt Ø 16 mm x 35 mm
3	10	NMK.002	Hexagon Nut M 12, DIN 985
4	1	NMK.005	Hexagon Nut M 20, DIN 985
5	2	NSK.031	Hexagon Head Bolt M 12 x 45 mm, DIN 933
6	1	NSK.116	Hexagon Head Bolt M 20 x 140 mm, DIN 931
7	1	NSP.011	Split Pin Ø 3,2 mm x 32 mm
8	8	NUS.005	Washer A 13,0 mm x 24 mm x 2,5 mm
9	2	NUS.008	Washer A 21,0 mm x 37 mm x 3,0 mm
10	2	RFL.1790	Handle for DropStop Actuation 5 mm 1.0038
11	1	RFL.1791	Holder 4 mm 1.0038
12	2	THA.028	Rectangular Bracket M 12 60 mm x 70 mm, 30 mm
13	2	THA.034	Rectangular Bracket M 12 40 mm x 90 mm, 40 mm
14	2	TSE.332	Wire Rope Cut 1 x Ø 8 mm x 565 mm
15	2	TSE0220	Pipe Cut Ø 26,9 mm x 2,0 mm, 36 mm
16	2	TSE0221	Pipe Cut Ø 17,2 mm x 2,35 mm, 16 mm

DropStop Actuation
Cable Pull, Short

D
TES401





BOM			
Pos.	Qty.	Part	Description
1	1	NMK.004	Hexagon Nut M 8, DIN 985
2	1	NSK.019	Hexagon Head Bolt M 8 x 25 mm, DIN 933
3	1	NUS0112	Distance Washer 9,0 mm x 60 mm x 6,0 mm
4	2	TMB.015	Wire Rope Clip 5 mm
5	1	TSE.011	Cable Pulley Holder Steel

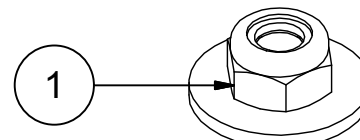
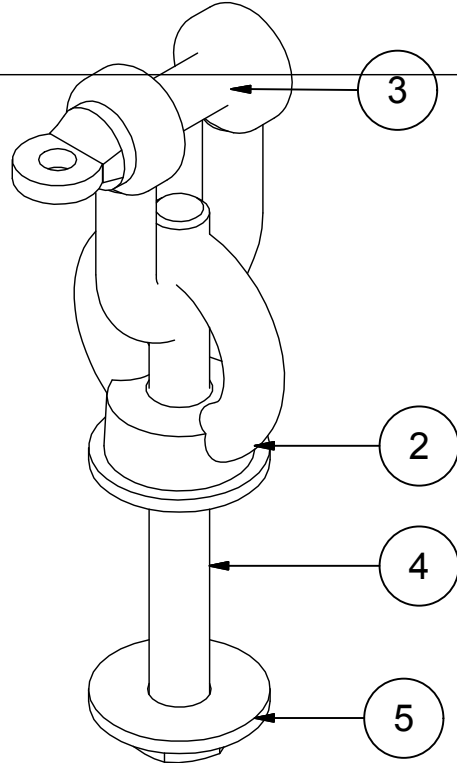
Assembly Kit
Rope Length Adjustment

E

TSE424

VOGELSANG



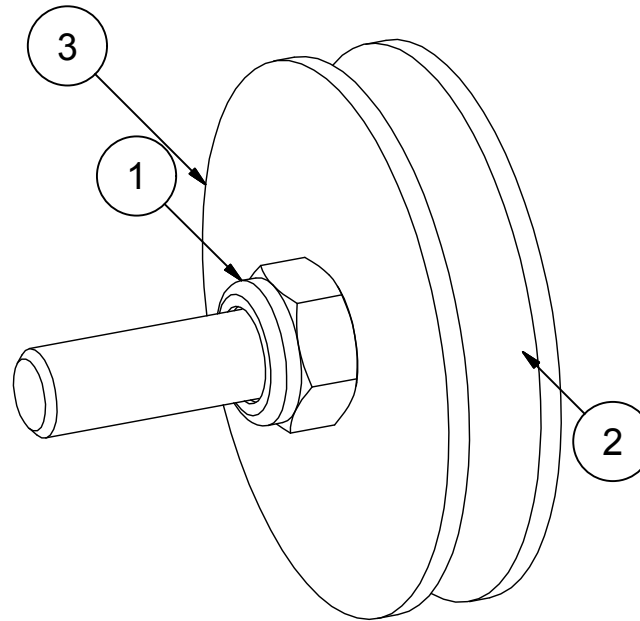


BOM			
Pos.	Qty.	Part	Description
1	1	NMK.004	Hexagon Nut M 8, DIN 985
2	1	NMK.015	Ring Nut M 8, DIN 582
3	1	NSC.032	Clevis Nominal Size 0,25-DIN 82101 A
4	2	NSK.062	Hexagon Head Bolt M 8 x 80 mm, DIN 931
5	4	NUS.018	Washer A 8,4 mm x 24 mm x 2,0 mm

Assembly Kit
Mounting

TSM135





BOM			
Pos.	Qty.	Part	Description
1	1	NMK.004	Hexagon Nut M 8, DIN 985
2	1	NSK.022	Hexagon Head Bolt M 8 x 40 mm, DIN 931
3	1	NSR.030	Cord Reel Ø 50 mm

Assembly Kit

Cord Reel

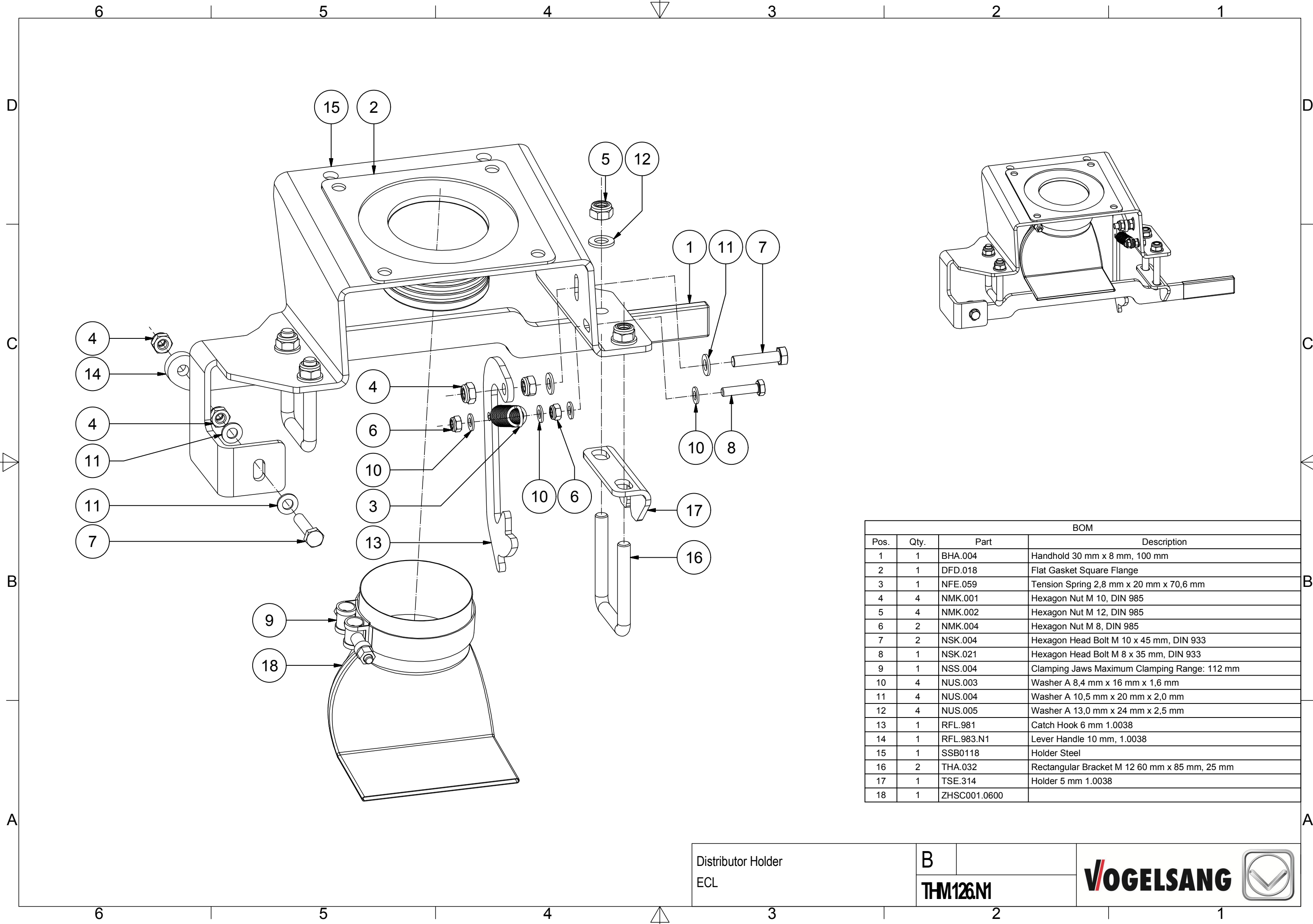
A

TSZ503

VOGELSANG

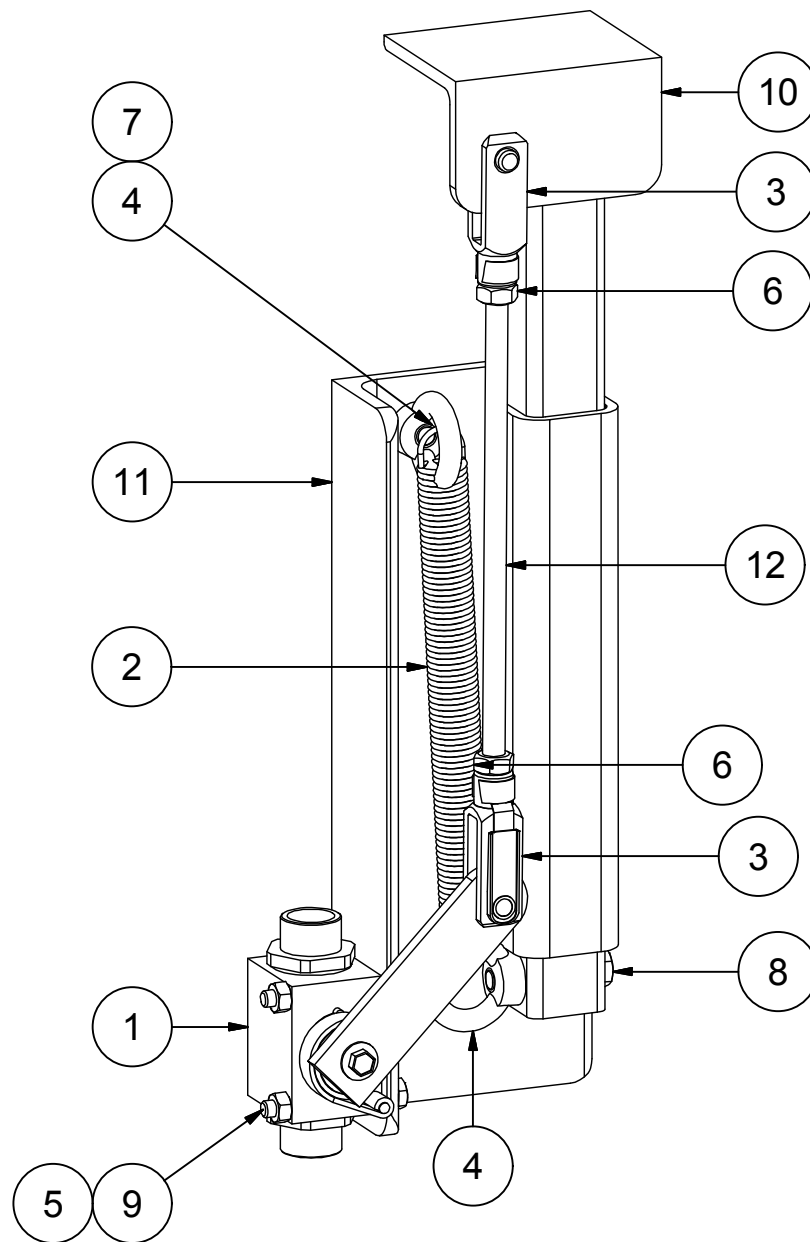


© Hugo Vogelsang Maschinenbau GmbH.



BOM			
Pos.	Qty.	Part	Description
1	1	BHA.004	Handhold 30 mm x 8 mm, 100 mm
2	1	DFD.018	Flat Gasket Square Flange
3	1	NFE.059	Tension Spring 2,8 mm x 20 mm x 70,6 mm
4	4	NMK.001	Hexagon Nut M 10, DIN 985
5	4	NMK.002	Hexagon Nut M 12, DIN 985
6	2	NMK.004	Hexagon Nut M 8, DIN 985
7	2	NSK.004	Hexagon Head Bolt M 10 x 45 mm, DIN 933
8	1	NSK.021	Hexagon Head Bolt M 8 x 35 mm, DIN 933
9	1	NSS.004	Clamping Jaws Maximum Clamping Range: 112 mm
10	4	NUS.003	Washer A 8,4 mm x 16 mm x 1,6 mm
11	4	NUS.004	Washer A 10,5 mm x 20 mm x 2,0 mm
12	4	NUS.005	Washer A 13,0 mm x 24 mm x 2,5 mm
13	1	RFL.981	Catch Hook 6 mm 1.0038
14	1	RFL.983.N1	Lever Handle 10 mm, 1.0038
15	1	SSB0118	Holder Steel
16	2	THA.032	Rectangular Bracket M 12 60 mm x 85 mm, 25 mm
17	1	TSE.314	Holder 5 mm 1.0038
18	1	ZHSC001.0600	

Distributor Holder ECL	B	
	THM126N1	



BOM			
Pos.	Qty.	Part	Description
1	1	AHV.045	2-Ways Lift Limiter DN 13, 15 L
2	1	NFE.005	Tension Spring 2 mm x 18 mm x 144,2 mm
3	2	NGK.004	Clevis Head Female Thread Ø 8 mm x 32 mm, B=8 mm, M 8
4	2	NMK.015	Ring Nut M 8, DIN 582
5	2	NMS.001	Hexagon Nut M 6, DIN 934
6	2	NMS.002	Hexagon Nut M 8, DIN 934
7	1	NSK.017	Hexagon Head Bolt M 8 x 16 mm, DIN 933
8	1	NSK.022	Hexagon Head Bolt M 8 x 40 mm, DIN 931
9	2	NSK.086	Hexagon Head Bolt M 6 x 50 mm, DIN 933
10	1	TSE.112	Slide Rod Steel
11	1	TSE.227	Guidance Steel
12	1	ZNGS010.0220	

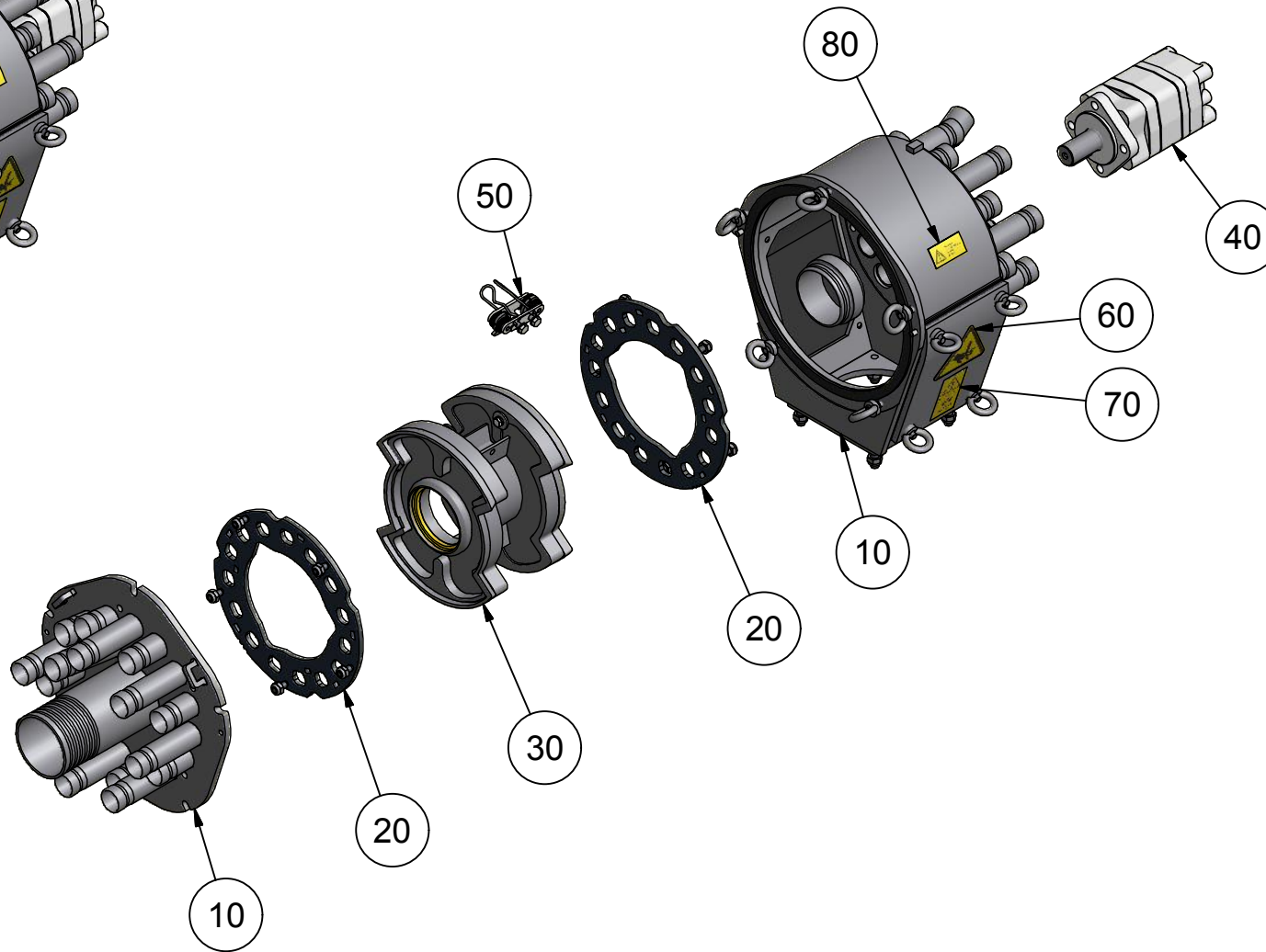
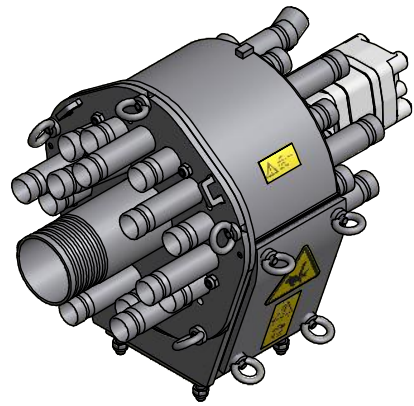
Assembly Kit
Lift Limiter

B

TSE113

VOGELSANG





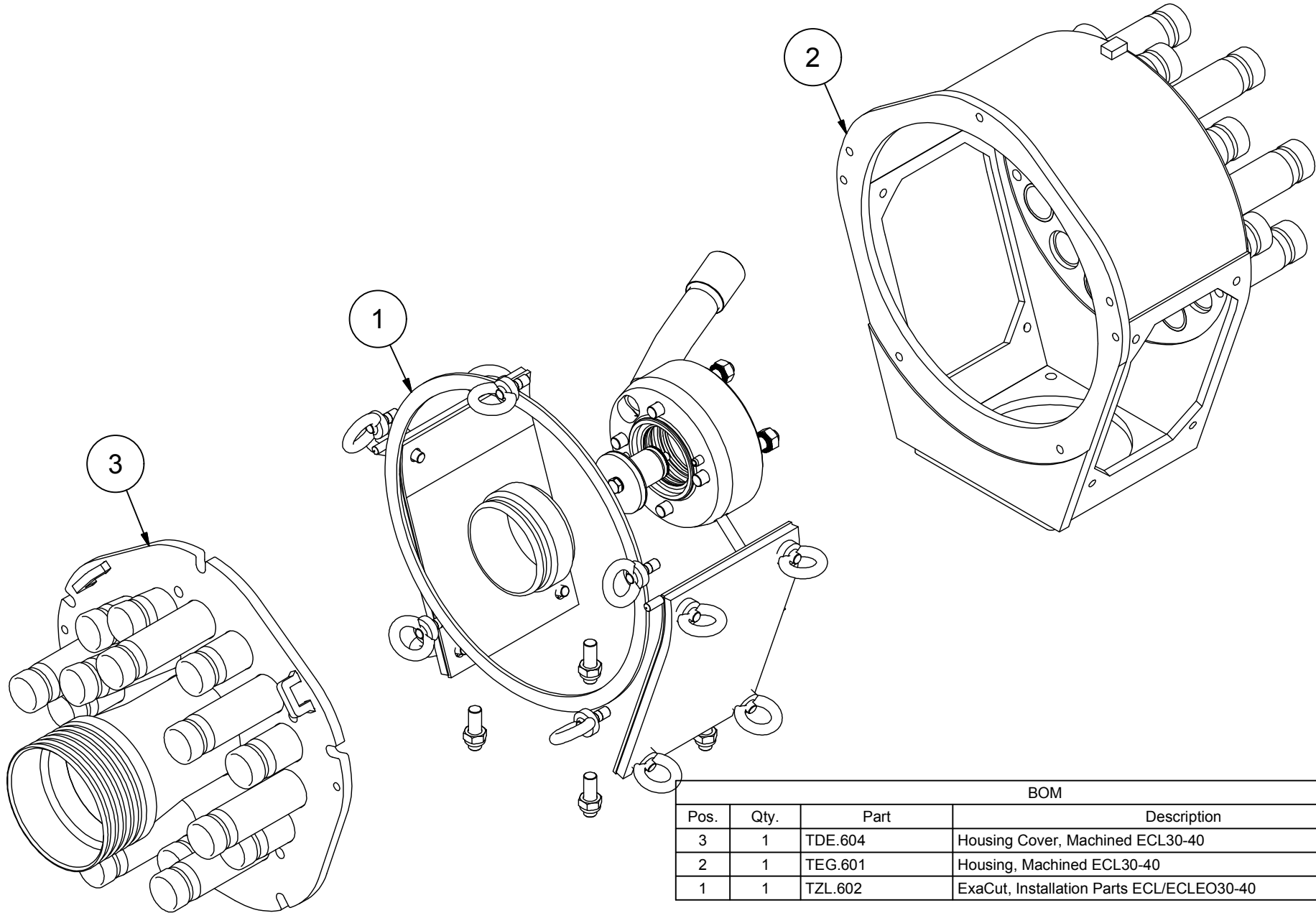
ExaCut
Rotor 2

A

DKADXX

VOGELSANG





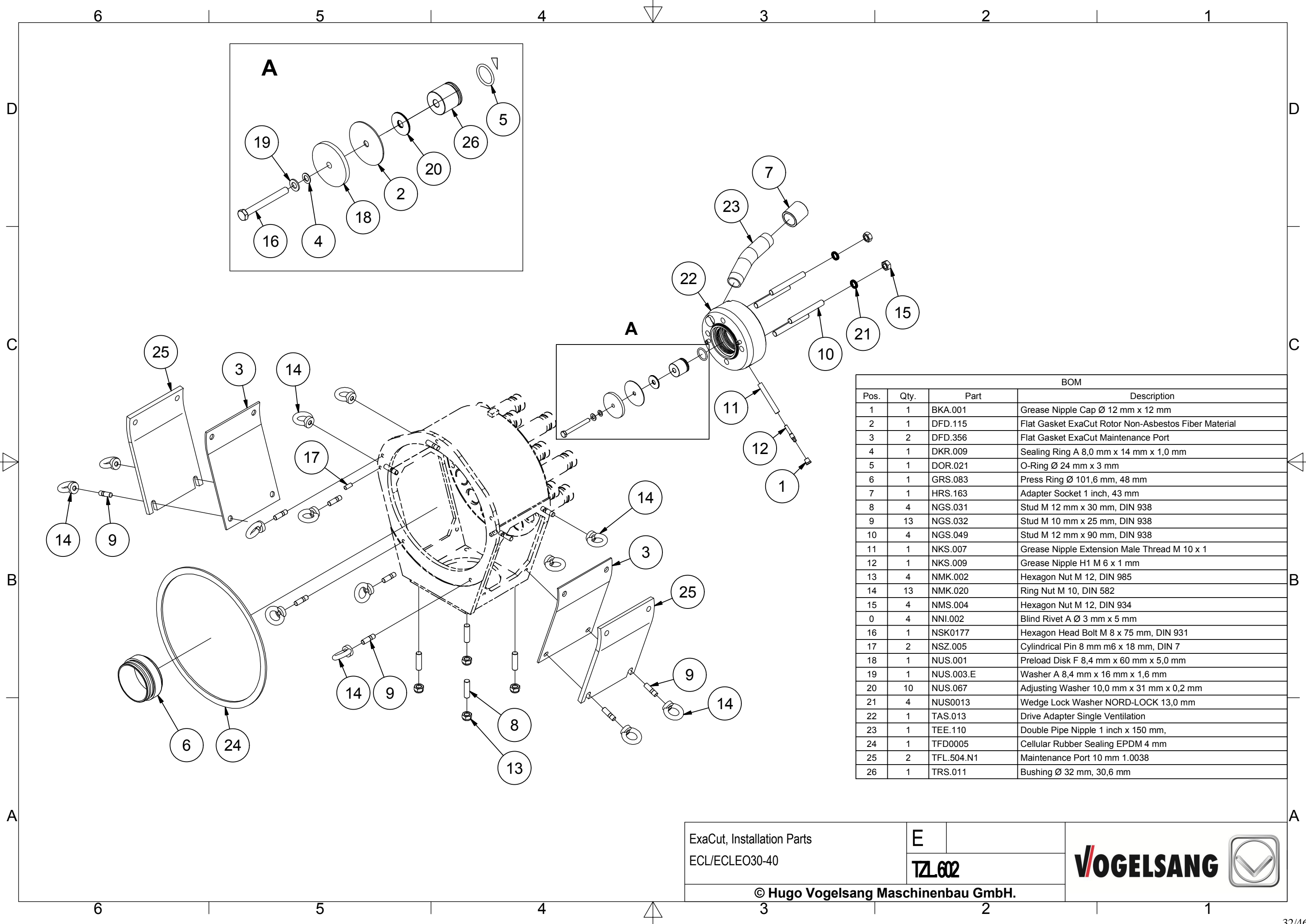
BOM			
Pos.	Qty.	Part	Description
3	1	TDE.604	Housing Cover, Machined ECL30-40
2	1	TEG.601	Housing, Machined ECL30-40
1	1	TZL.602	ExaCut, Installation Parts ECL/ECLEO30-40

Housing, Parts Kit
ECL30-40


A

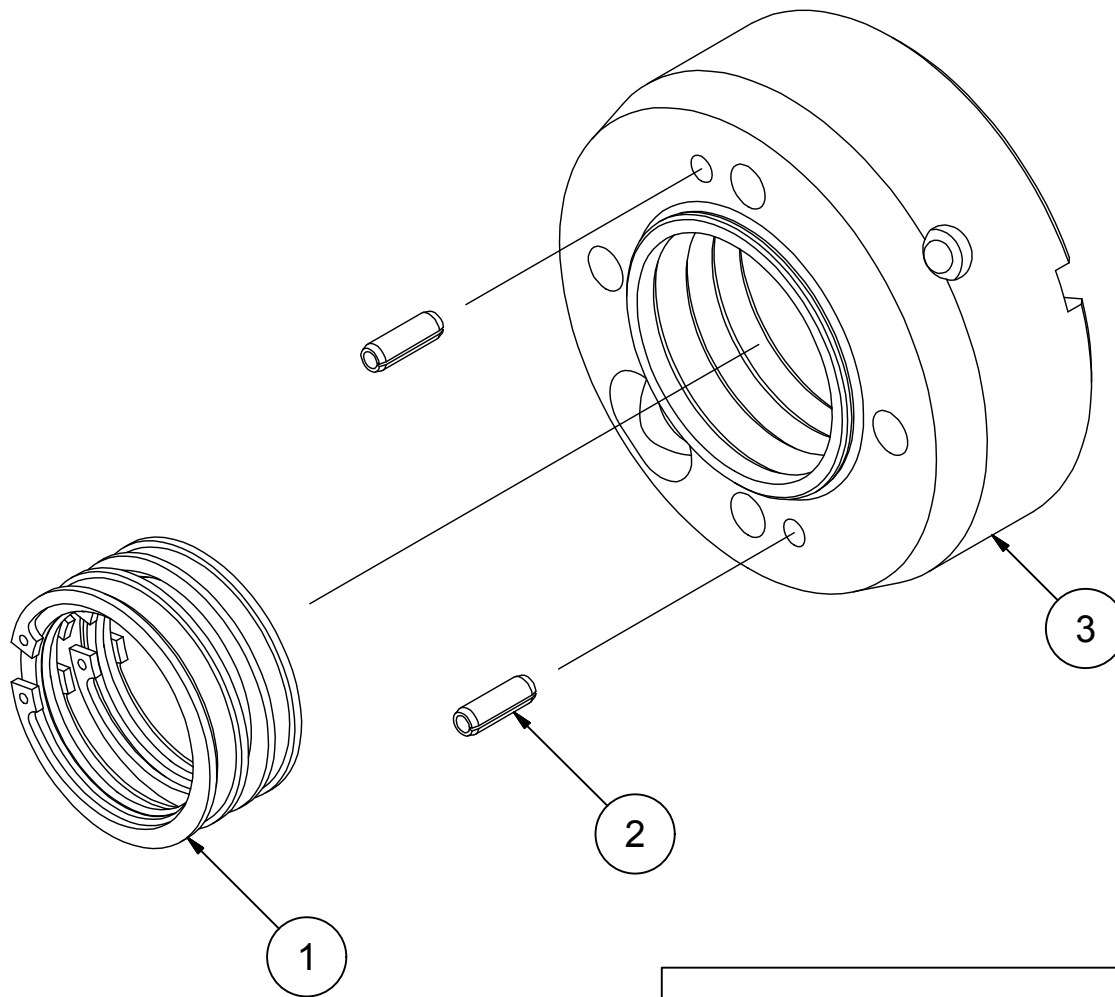
GEC.002





BOM			
Pos.	Qty.	Part	Description
1	1	BKA.001	Grease Nipple Cap Ø 12 mm x 12 mm
2	1	DFD.115	Flat Gasket ExaCut Rotor Non-Asbestos Fiber Material
3	2	DFD.356	Flat Gasket ExaCut Maintenance Port
4	1	DKR.009	Sealing Ring A 8,0 mm x 14 mm x 1,0 mm
5	1	DOR.021	O-Ring Ø 24 mm x 3 mm
6	1	GRS.083	Press Ring Ø 101,6 mm, 48 mm
7	1	HRS.163	Adapter Socket 1 inch, 43 mm
8	4	NGS.031	Stud M 12 mm x 30 mm, DIN 938
9	13	NGS.032	Stud M 10 mm x 25 mm, DIN 938
10	4	NGS.049	Stud M 12 mm x 90 mm, DIN 938
11	1	NKS.007	Grease Nipple Extension Male Thread M 10 x 1
12	1	NKS.009	Grease Nipple H1 M 6 x 1 mm
13	4	NMK.002	Hexagon Nut M 12, DIN 985
14	13	NMK.020	Ring Nut M 10, DIN 582
15	4	NMS.004	Hexagon Nut M 12, DIN 934
0	4	NNI.002	Blind Rivet A Ø 3 mm x 5 mm
16	1	NSK0177	Hexagon Head Bolt M 8 x 75 mm, DIN 931
17	2	NSZ.005	Cylindrical Pin 8 mm m6 x 18 mm, DIN 7
18	1	NUS.001	Preload Disk F 8,4 mm x 60 mm x 5,0 mm
19	1	NUS.003.E	Washer A 8,4 mm x 16 mm x 1,6 mm
20	10	NUS.067	Adjusting Washer 10,0 mm x 31 mm x 0,2 mm
21	4	NUS0013	Wedge Lock Washer NORD-LOCK 13,0 mm
22	1	TAS.013	Drive Adapter Single Ventilation
23	1	TEE.110	Double Pipe Nipple 1 inch x 150 mm,
24	1	TFD0005	Cellular Rubber Sealing EPDM 4 mm
25	2	TFL.504.N1	Maintenance Port 10 mm 1.0038
26	1	TRS.011	Bushing Ø 32 mm, 30,6 mm

ExaCut, Installation Parts ECL/ECLEO30-40	E	
	TZL602	
© Hugo Vogelsang Maschinenbau GmbH.		



BOM			
Pos.	Qty.	Part	Description
1	1	DDS0016	Seal Kit ExaCut Shaft Diameter Ø 32 mm
2	2	NSP.025	Spring Pin 8 mm x 24 mm, ISO 8752
3	1	TRS0015	Drive Adapter Ø 149 mm, 62 mm

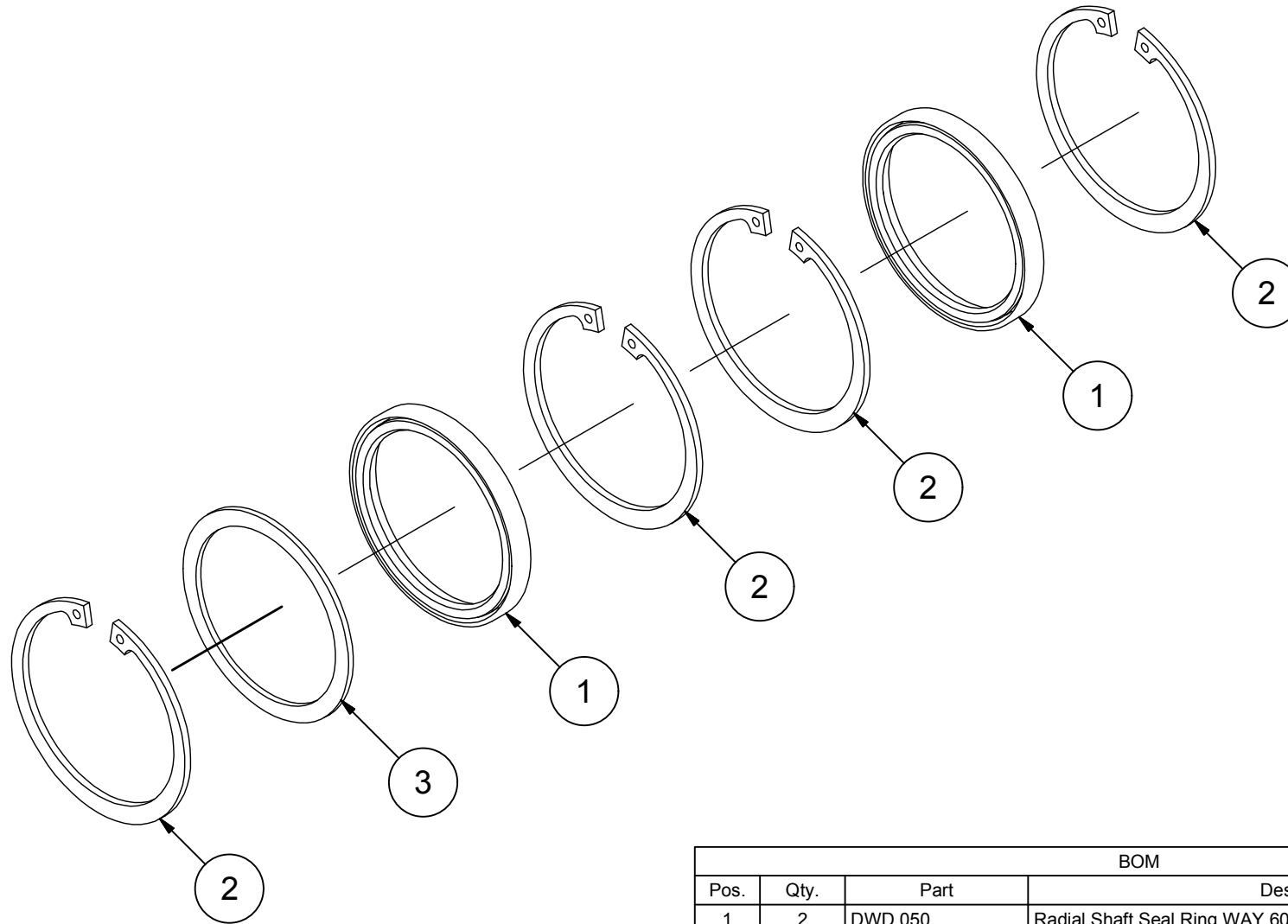
Drive Adapter
Single Ventilation

C

TAS013

VOGELSANG





BOM			
Pos.	Qty.	Part	Description
1	2	DWD.050	Radial Shaft Seal Ring WAY 60 mm x 72 mm x 7 mm
2	4	NSR.025	Retaining Ring Ø 72 mm x 2,5 mm
3	1	NUS.060	Washer 60,0 mm x 71,8 mm x 2,0 mm

Seal Kit ExaCut
Shaft Diameter Ø 32 mm

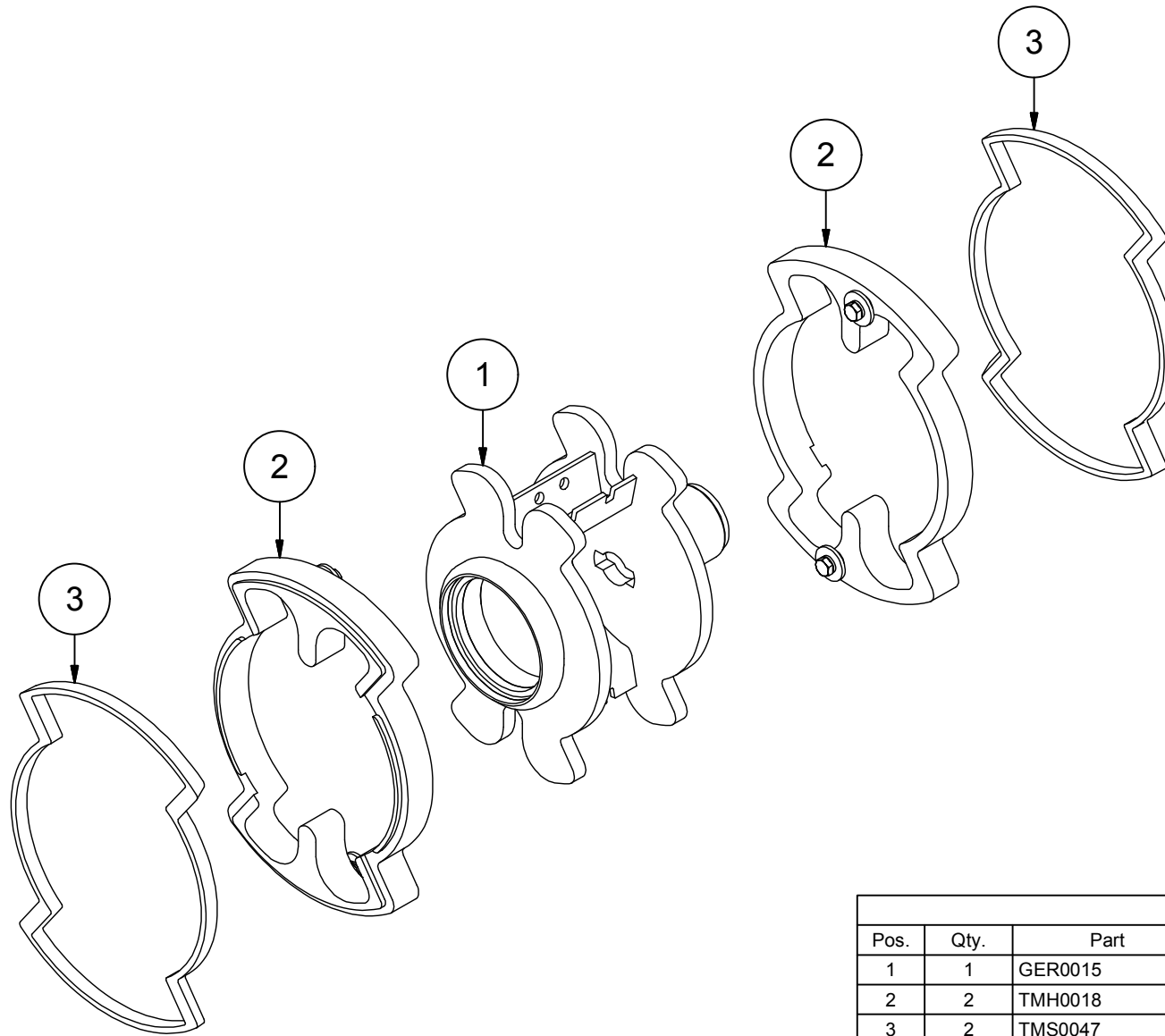
A

DDS0016

VOGELSANG



© Hugo Vogelsang Maschinenbau GmbH.



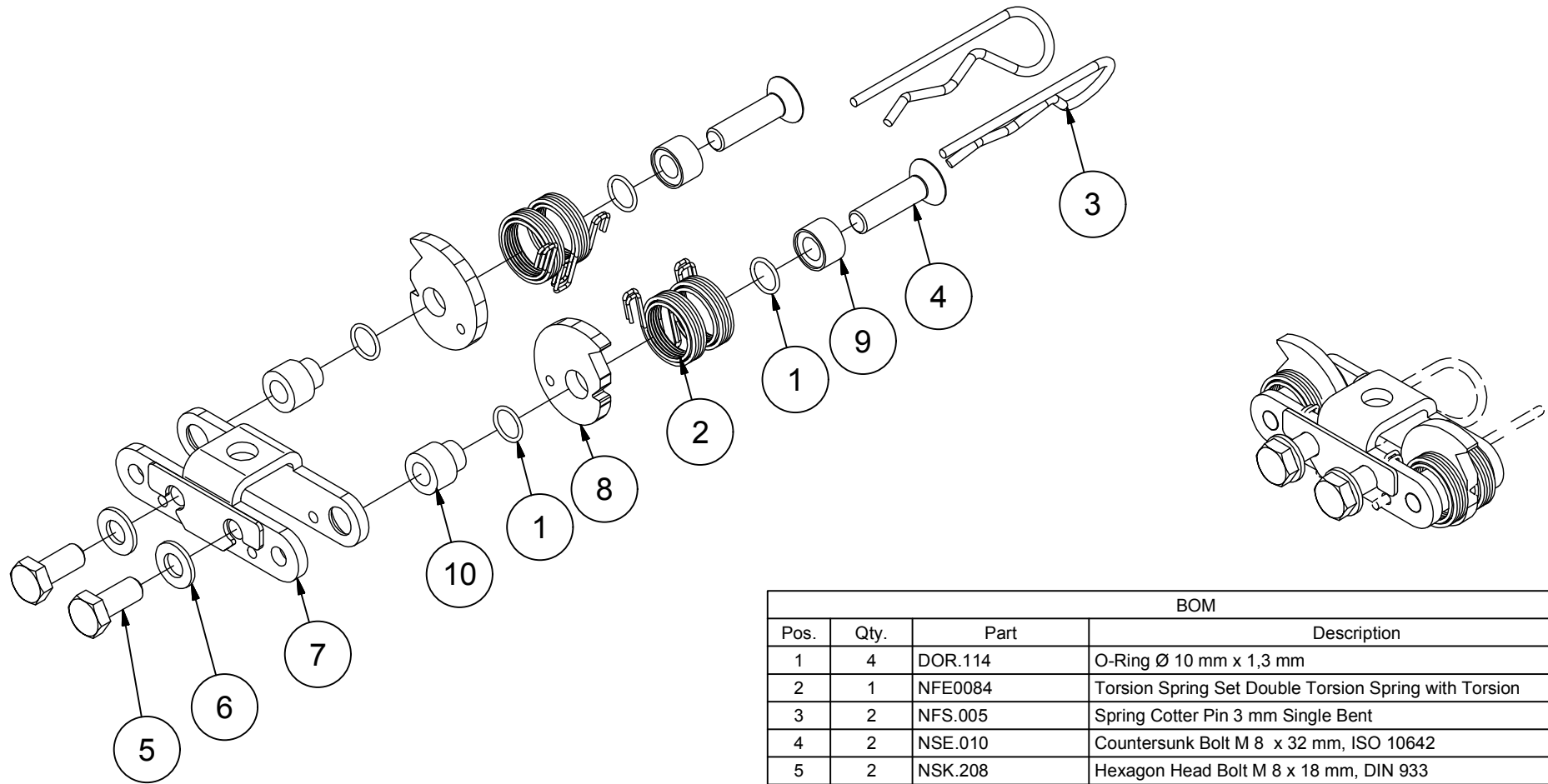
BOM			
Pos.	Qty.	Part	Description
1	1	GER0015	ExaCut Rotor DN 100 / 125
2	2	TMH0018	Blade Holder Set ECL/ECV Inlet Size: DN 100 / 125
3	2	TMS0047	Blade Ring ECL/ECV Inlet Size: DN 100 / 125

ExaCut Rotor
DN 100 / 125

A
GER009

VOGELSANG





BOM			
Pos.	Qty.	Part	Description
1	4	DOR.114	O-Ring Ø 10 mm x 1,3 mm
2	1	NFE0084	Torsion Spring Set Double Torsion Spring with Torsion
3	2	NFS.005	Spring Cotter Pin 3 mm Single Bent
4	2	NSE.010	Countersunk Bolt M 8 x 32 mm, ISO 10642
5	2	NSK.208	Hexagon Head Bolt M 8 x 18 mm, DIN 933
6	2	NUS.003.E	Washer A 8,4 mm x 16 mm x 1,6 mm
7	1	TEA.012	Support Bracket 1.4301
8	2	TFL.566.N2	Eccentric for Adjuster 4,75 mm 1.4034
9	2	TRS.025.N1	Turned Part, Raw Part Ø 14,4 mm x 8,9 mm
10	2	TRS.026.N1	Turned Part, Raw Part Ø 14,4 mm x 15,1 mm

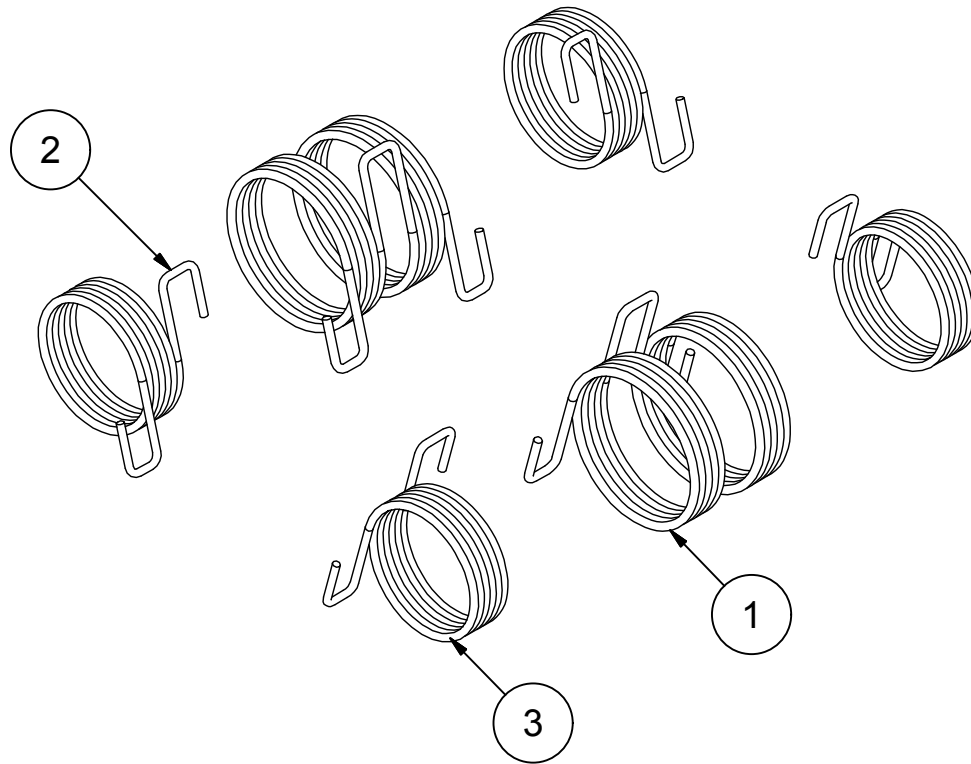
Eccentric Adjuster ECL/ECV
100%

C

TEV.005.N1

VOGELSANG





BOM			
Pos.	Qty.	Part	Description
1	2	NFE.042	Double Torsion Spring 1,2 mm x 21,5 mm
2	2	NFE.040	Torsion Spring 1,1 mm x 18,4 mm
3	2	NFE.041	Torsion Spring 1,1 mm x 18,4 mm

Torsion Spring Set Double
Torsion Spring with Torsion

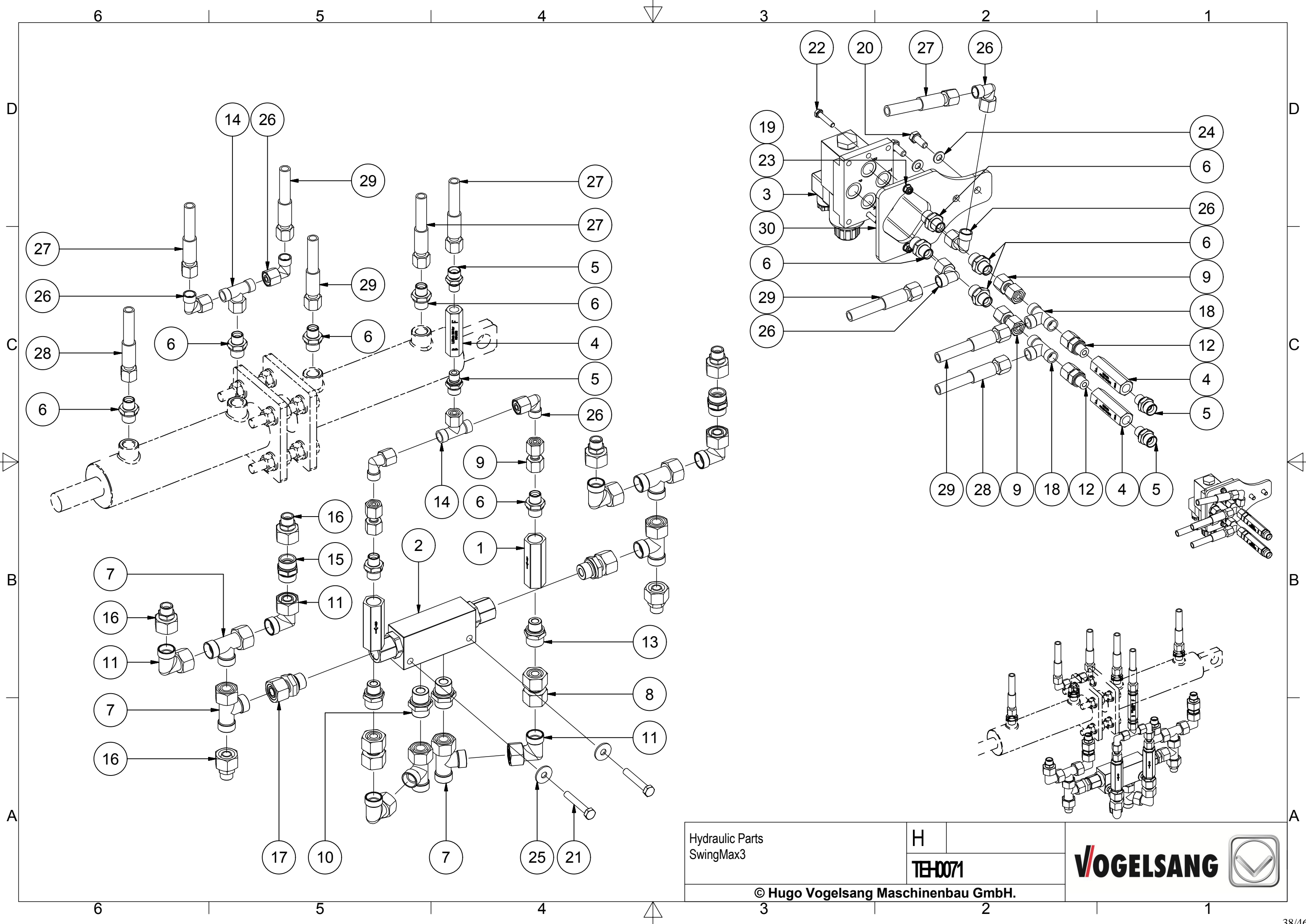
A

NFE0084

VOGELSANG



© Hugo Vogelsang Maschinenbau GmbH.



Hydraulic Parts SwingMax3	H	
	TEH0071	
© Hugo Vogelsang Maschinenbau GmbH.		

BOM			
Pos.	Qty.	Part	Description
1	2	AHV.021	Check Valve G 3/8 inch, 30 l/min
2	1	AHV.046.T1	Check Valve G 1/2 inch, 45 l/min
3	1	AHV0001.TF	4/2-Way Valve NG 6, 80 l/min
4	3	NDV.003	2-Way Flow Control Valve R 1/4 inch, 2,3 l/min
5	4	NGE.003	Screw-In Fitting Straight 10 L - 1/4 inch
6	10	NGE.005	Screw-In Fitting Straight 10 L - 3/8 inch
7	6	NGE.006	Connection Fitting L-Shaped Coupling
8	2	NGE.007	Connection Fitting Straight
9	4	NGE.008	Connection Fitting Straight
10	2	NGE.009	Screw-In Fitting Straight 15 L - 1/2 inch
11	6	NGE.018	Connection Fitting Angle
12	2	NGE.025	Screw-In Fitting Straight 10 L - 1/4 inch
13	2	NGE.026	Screw-In Fitting Straight 15 L - 3/8 inch
14	2	NGE.036	Connection Fitting T-Shaped Coupling
15	2	NGE.045	Connection Fitting Straight
16	6	NGE.049	Reducing Fitting Straight
17	2	NGE.056	Screw-In Fitting Straight 15 L - 1/2 inch
18	2	NGE0126	Connection Fitting T-Shaped Coupling
19	2	NMK.003	Hexagon Nut M 6, DIN 985
20	2	NSK.018	Hexagon Head Bolt M 8 x 20 mm, DIN 933
21	2	NSK.023	Hexagon Head Bolt M 8 x 50 mm, DIN 931
22	2	NSK.045	Hexagon Head Bolt M 6 x 30 mm, DIN 933
23	2	NUS.002	Washer A 6,4 mm x 12 mm x 1,6 mm
24	2	NUS.003	Washer A 8,4 mm x 16 mm x 1,6 mm
25	2	NUS.018	Washer A 8,4 mm x 24 mm x 2,0 mm
26	7	NWE.003	Connection Fitting Angle
27	2	THZ.112	Hydraulic Hose 2 SN DN 6 x 560 mm
28	1	THZ.114	Hydraulic Hose 2 SN DN 6 x 850 mm
29	2	THZ.117	Hydraulic Hose 2 SN DN 6 x 650 mm
30	1	TSE0100	Holder 6 mm 1.0038

Hydraulic Parts
SwingMax3

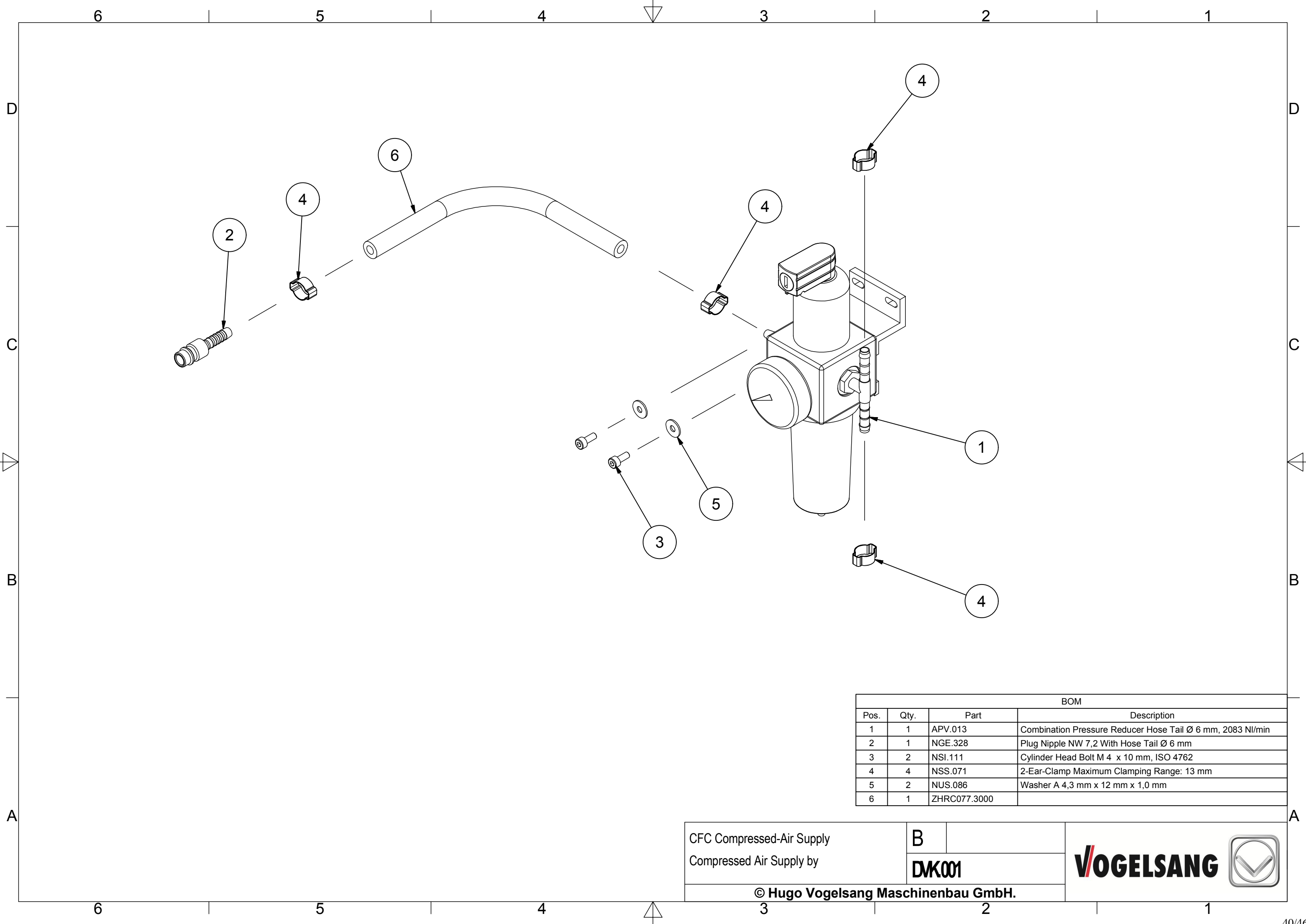
H

TE-0071

© Hugo Vogelsang Maschinenbau GmbH.

VOGELSANG





BOM			
Pos.	Qty.	Part	Description
1	1	APV.013	Combination Pressure Reducer Hose Tail Ø 6 mm, 2083 NI/min
2	1	NGE.328	Plug Nipple NW 7,2 With Hose Tail Ø 6 mm
3	2	NSI.111	Cylinder Head Bolt M 4 x 10 mm, ISO 4762
4	4	NSS.071	2-Ear-Clamp Maximum Clamping Range: 13 mm
5	2	NUS.086	Washer A 4,3 mm x 12 mm x 1,0 mm
6	1	ZHRC077.3000	

CFC Compressed-Air Supply
Compressed Air Supply by

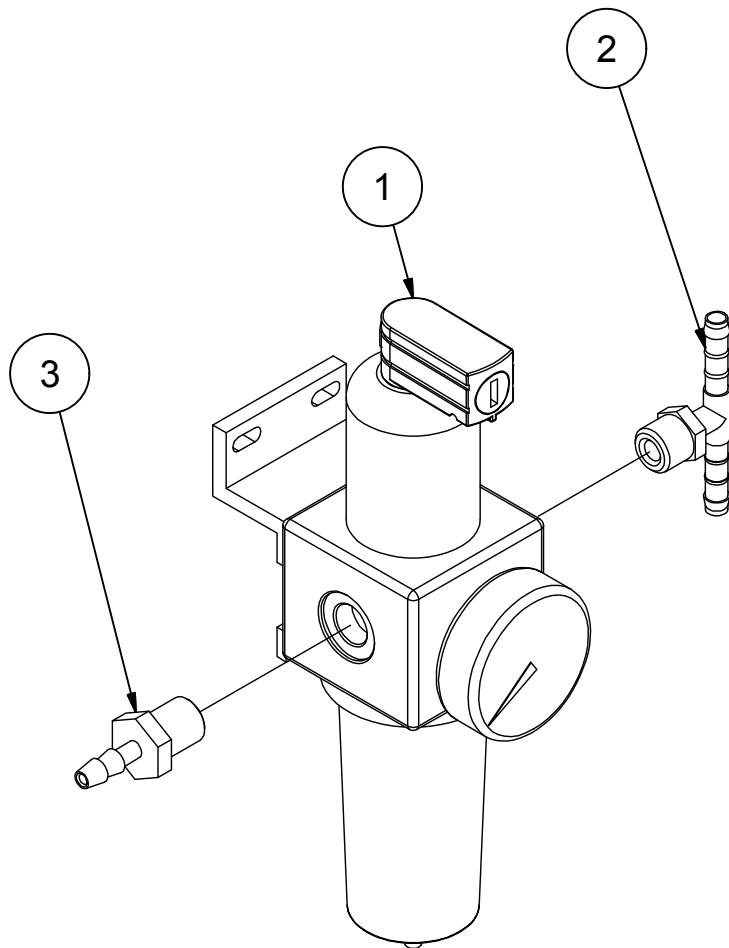
B

DKK001

VOGELANG



© Hugo Vogelsang Maschinenbau GmbH.



BOM			
Pos.	Qty.	Part	Description
1	1	APV0069	Combination Pressure Reducer FT 1/4 inch, 2083 NI/min
2	1	NGE.323	T-Shaped Hose Tail MT 1/4 inch x Ø 6 mm
3	1	NGE.327	Hose Tail MT 1/4 inch x Ø 6 mm

Combination Pressure Reducer
Hose Tail Ø 6 mm, 2083 NI/min

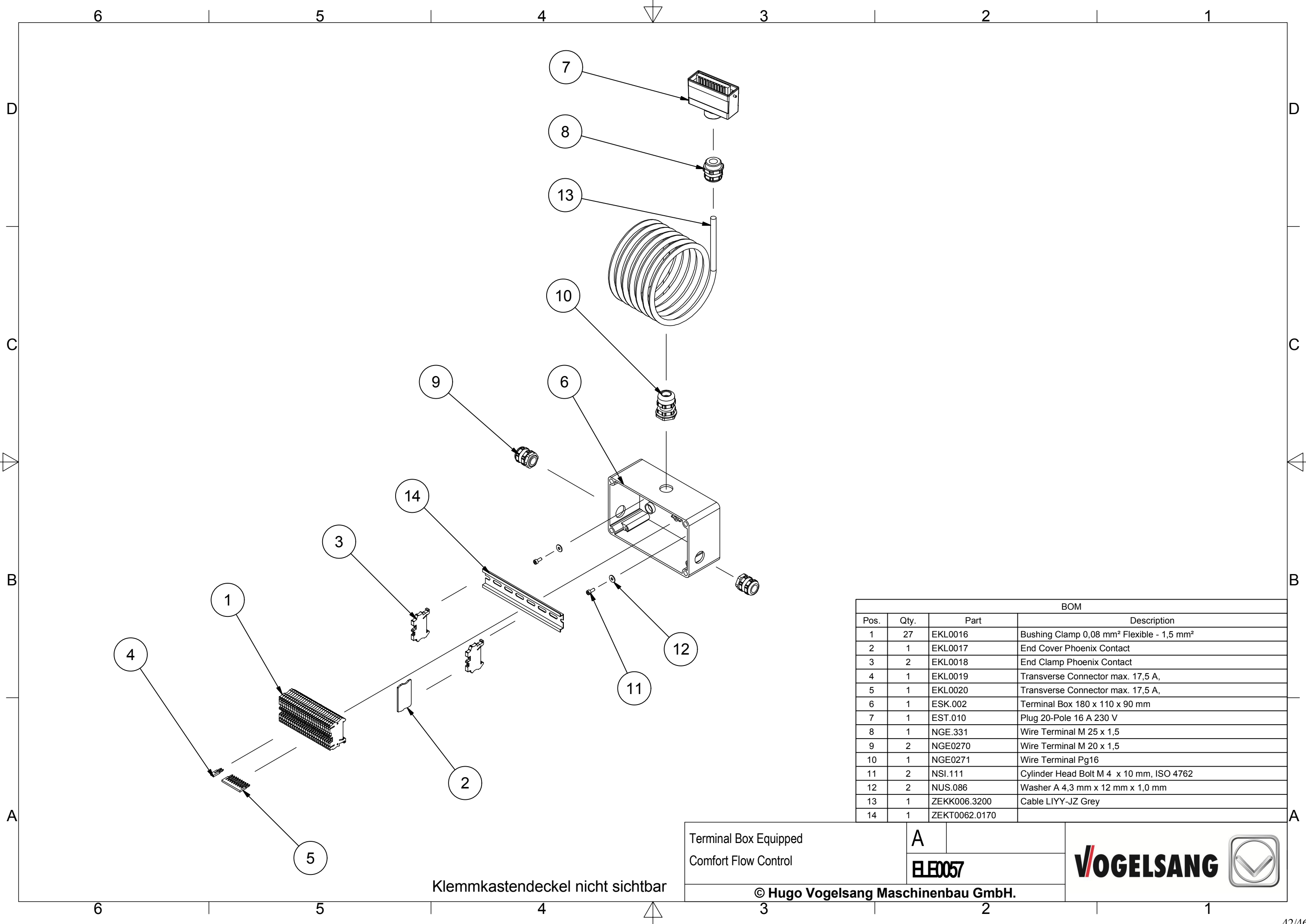
A

APV.013

VOGELSANG



© Hugo Vogelsang Maschinenbau GmbH.



BOM			
Pos.	Qty.	Part	Description
1	27	EKL0016	Bushing Clamp 0,08 mm ² Flexible - 1,5 mm ²
2	1	EKL0017	End Cover Phoenix Contact
3	2	EKL0018	End Clamp Phoenix Contact
4	1	EKL0019	Transverse Connector max. 17,5 A,
5	1	EKL0020	Transverse Connector max. 17,5 A,
6	1	ESK.002	Terminal Box 180 x 110 x 90 mm
7	1	EST.010	Plug 20-Pole 16 A 230 V
8	1	NGE.331	Wire Terminal M 25 x 1,5
9	2	NGE0270	Wire Terminal M 20 x 1,5
10	1	NGE0271	Wire Terminal Pg16
11	2	NSI.111	Cylinder Head Bolt M 4 x 10 mm, ISO 4762
12	2	NUS.086	Washer A 4,3 mm x 12 mm x 1,0 mm
13	1	ZEKK006.3200	Cable LIYY-JZ Grey
14	1	ZEKT0062.0170	

Terminal Box Equipped
Comfort Flow Control

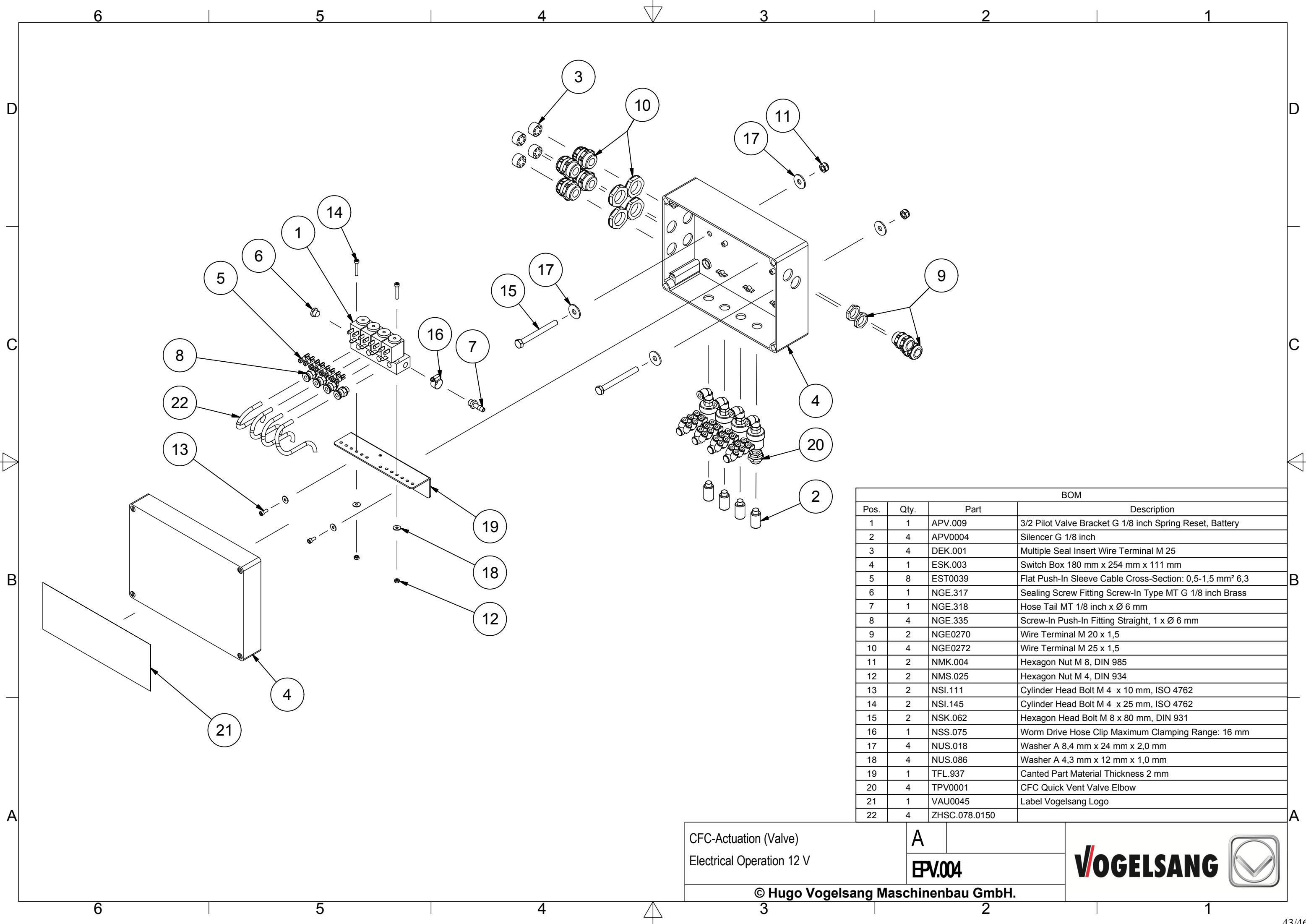
A

ELE0057




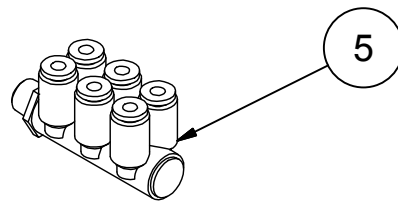
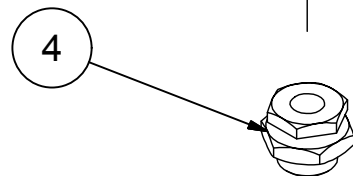
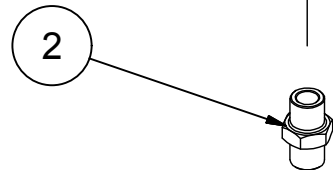
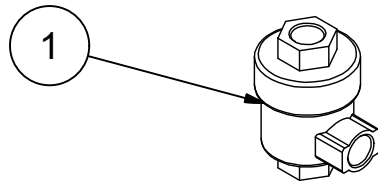
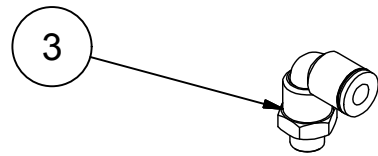
© Hugo Vogelsang Maschinenbau GmbH.

Klemmkastendeckel nicht sichtbar



BOM			
Pos.	Qty.	Part	Description
1	1	APV.009	3/2 Pilot Valve Bracket G 1/8 inch Spring Reset, Battery
2	4	APV0004	Silencer G 1/8 inch
3	4	DEK.001	Multiple Seal Insert Wire Terminal M 25
4	1	ESK.003	Switch Box 180 mm x 254 mm x 111 mm
5	8	EST0039	Flat Push-In Sleeve Cable Cross-Section: 0,5-1,5 mm ² 6,3
6	1	NGE.317	Sealing Screw Fitting Screw-In Type MT G 1/8 inch Brass
7	1	NGE.318	Hose Tail MT 1/8 inch x Ø 6 mm
8	4	NGE.335	Screw-In Push-In Fitting Straight, 1 x Ø 6 mm
9	2	NGE0270	Wire Terminal M 20 x 1,5
10	4	NGE0272	Wire Terminal M 25 x 1,5
11	2	NMK.004	Hexagon Nut M 8, DIN 985
12	2	NMS.025	Hexagon Nut M 4, DIN 934
13	2	NSI.111	Cylinder Head Bolt M 4 x 10 mm, ISO 4762
14	2	NSI.145	Cylinder Head Bolt M 4 x 25 mm, ISO 4762
15	2	NSK.062	Hexagon Head Bolt M 8 x 80 mm, DIN 931
16	1	NSS.075	Worm Drive Hose Clip Maximum Clamping Range: 16 mm
17	4	NUS.018	Washer A 8,4 mm x 24 mm x 2,0 mm
18	4	NUS.086	Washer A 4,3 mm x 12 mm x 1,0 mm
19	1	TFL.937	Canted Part Material Thickness 2 mm
20	4	TPV0001	CFC Quick Vent Valve Elbow
21	1	VAU0045	Label Vogelsang Logo
22	4	ZHSC.078.0150	

CFC-Actuation (Valve) Electrical Operation 12 V	A	
	EPV.004	
© Hugo Vogelsang Maschinenbau GmbH.		



BOM			
Pos.	Qty.	Part	Description
1	1	NGE.356	Quick Vent Valve 1/8 inch, 6 bar,
2	1	NGE.357	Double Nipple MT R 1/8 inch MT R 1/8 inch
3	1	NGE.358	Screw-In Push-In Fitting Angle, 1 x Ø 6 mm
4	1	NGE.360	Socket - Partition FT G 1/8 inch MT M 16 x 1,5
5	1	NGE0008	Screw-In Push-In Fitting Angle, 6 x Ø 4 mm

CFC Quick Vent Valve

Elbow

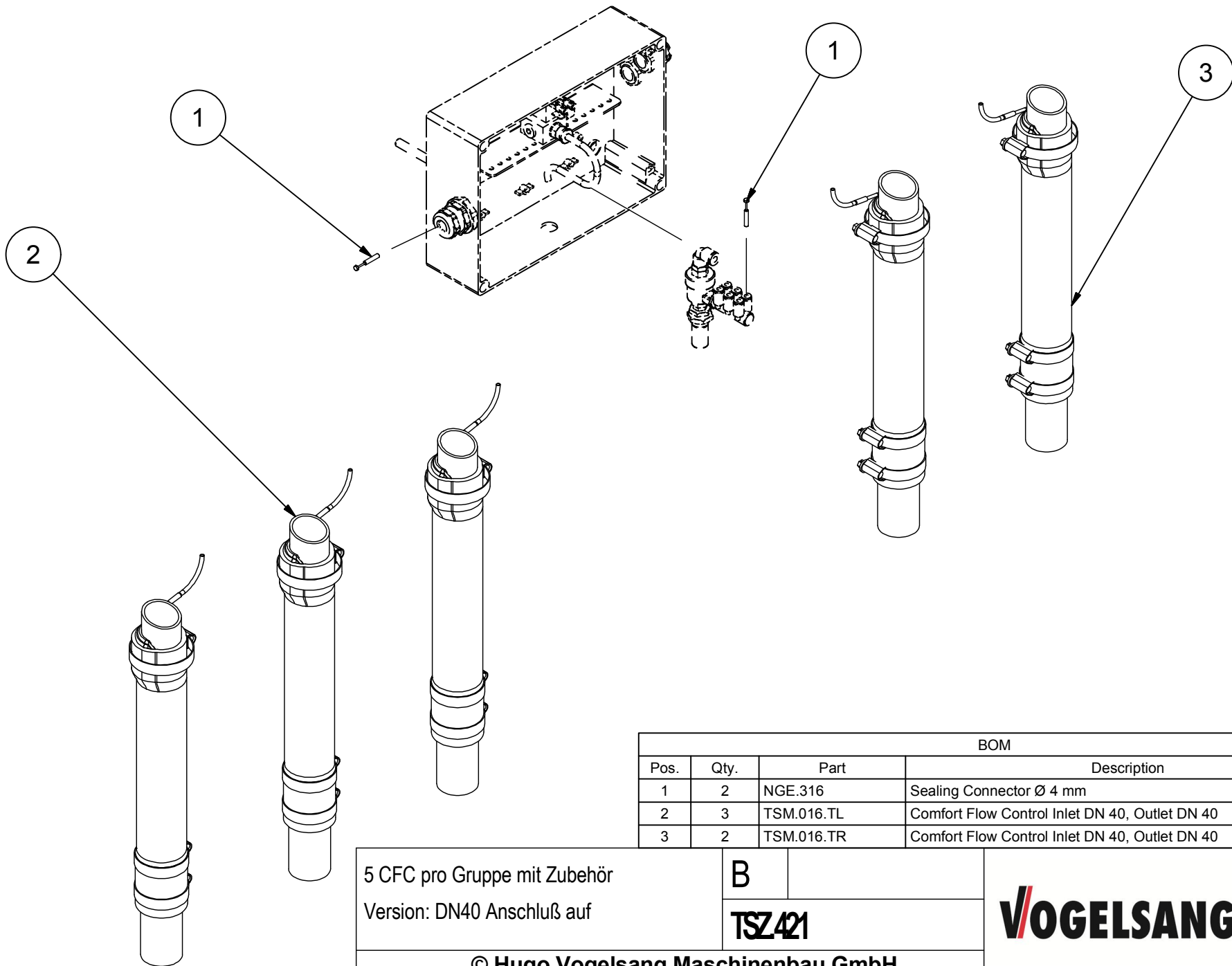
A

TPV0001

VOGELSANG



© Hugo Vogelsang Maschinenbau GmbH.



BOM			
Pos.	Qty.	Part	Description
1	2	NGE.316	Sealing Connector Ø 4 mm
2	3	TSM.016.TL	Comfort Flow Control Inlet DN 40, Outlet DN 40
3	2	TSM.016.TR	Comfort Flow Control Inlet DN 40, Outlet DN 40

5 CFC pro Gruppe mit Zubehör
 Version: DN40 Anschluß auf

B

TSZ421

VOGELSANG



© Hugo Vogelsang Maschinenbau GmbH.

**Hugo Vogelsang Maschinenbau GmbH**

Holthöge 10-14, D-49632 Essen/Oldb.

Phone: +49 (0) 5434 83 83 83
+49 (0) 5434 83 99 99

Fax: +49 (0) 5434 83 10

service@vogelsang-gmbh.com

vogelsang-gmbh.com

Vogelsang Lutherstadt Eisleben

Gewerbegebiet Rothenschirmbach Nr. 8, D-06295 Lutherstadt Eisleben

Phone: +49 (0) 34776 91 92 14

Fax: +49 (0) 34776 91 92 60

ENGINEERED TO WORK**Australia****Vogelsang Pty. Ltd.**

vogelsang.com.au

Denmark**Vogelsang A/S**

vogelsang-as.dk

Italy**Vogelsang Italy Srl**

vogelsang-srl.it

Russia**Vogelsang Russland**

vogelsang.ru

USA**Vogelsang USA Ltd.**

vogelsangusa.com

Austria**Vogelsang Austria GmbH**

vogelsang-austria.at

Finland**Vogelsang Oy**

vogelsang.fi

Malaysia**Vogelsang Malaysia**

vogelsang.info

South Korea**Vogelsang Korea Co., Ltd.**

vogelsang.co.kr

Brasil**Vogelsang Brasil Ltda.**

vogelsang.com.br

France**Vogelsang France S.A.R.L.**

vogelsang.fr

Mexico**Vogelsang De México****S.de R.L. de CV**

vogelsang.mx

Spain**Vogelsang S.L.**

vogelsang.es

China**Vogelsang Mechanical
Engineering (Shanghai) Co., Ltd.**

vogelsang.com.cn

India**Vogelsang India Private Limited**

vogelsangindia.com

Poland**Vogelsang Poland Sp. z o.o.**

vogelsang.pl

Sweden**Vogelsang Sverige AB**

vogelsang.se

Czech Republic**Vogelsang CZ s.r.o.**

vogelsang-czech.cz

Ireland**Vogelsang Irland**

vogelsang.ie

Romania**Vogelsang Romania SRL**

vogelsang.ro

United Kingdom**Vogelsang Ltd.**

vogelsang.co.uk

We reserve the right to make technical modifications to the diagrams and information presented in this document in the event that such modifications become necessary for the enhancement of the machine.