



# Spare Parts List

Serial Number

**SwingMax3 24 mS**

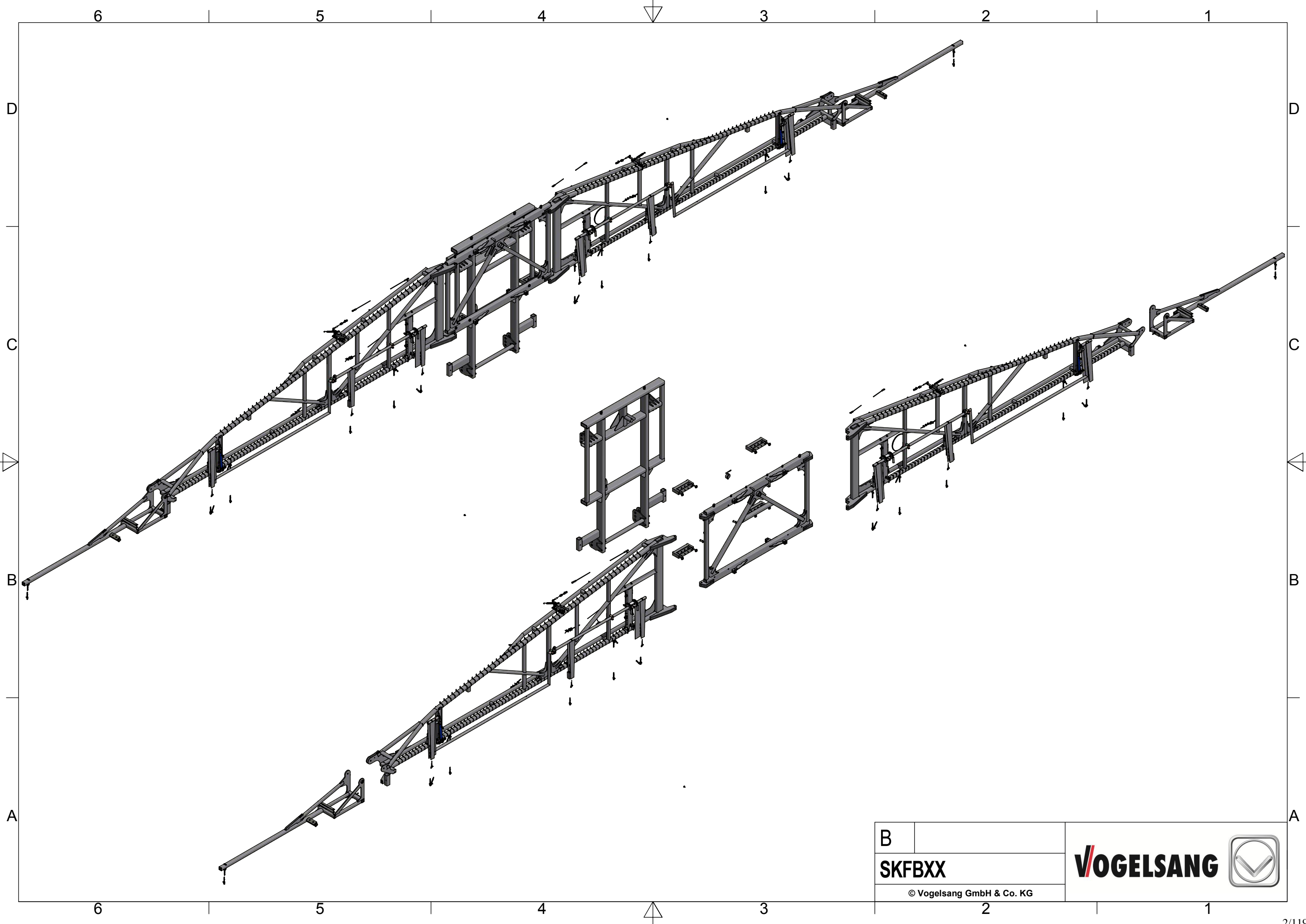
Machine Type

**SPK0000615**

Part Number

Customer

Order Number



B	
<b>SKFBXX</b>	
© Vogelsang GmbH & Co. KG	

**VOGELSANG**



Pos.	Denomination	Quantity	Part	Page
0	SwingMax3 24 mS		SPK0000615	9
10	Supporting Frame, Subassembly Set Four-Point Mounting (Reinf	1 St	TSM0692	
10.10	Supporting Frame SwingMax3 Four-Point Mounting	1 St	THR.125.N1.T1	10
10.20	Supporting Frame Holder SwingMax3 Four-Point Mounting	1 St	THM.327.T1	11
10.30	Oscillation Limiter, Complete SwingMax3	1 St	TSM0075	12
10.40	Slide Valve with Actuation 6 inch Hydraulic	1 St	TSZ0061	13
10.40.3000	Bolt Set	8 St	IBA.030.T8	14
10.50	Mounting Foot, Parts Kit SwingMax3	1 St	TAF.063	15
10.60	Assembly Kit Lift Limiter	1 St	TSE.113	16
10.70	T-Fitting, Supporting Frame SwingMax3	1 St	TSM0051	17
10.70.5000	Bolt Set	20 St	IBA.030.T8	14
10.70.13000	Splash Plate Ø 55 mm Nozzle	1 St	TSK0024	18
10.80	Hose Guide Supporting Frame	1 St	IBA1601	19
10.90	Gate Valve Operating Mechanism 5/6 inch, Manuel Actuation	1 St	TSZ0054	20
10.100	Assembly Kit Support	1 St	TSM0430	21
10.110	Assembly Kit Supporting Frame - Tank	1 St	TSM0047	22
10.120	Supporting Frame, Installation Parts SwingMax3	1 St	TSM0052	23
10.120.6000	Assembly Kit Pulley	1 St	TSM.130	24
10.130	Slope Compensation Cylinder Ø 50 mm Ø 25 mm, 250 mm	1 St	TSE.092.N2	25
10.140	Hydraulic Parts SwingMax3 Supporting Frame Four-Point	1 St	TEH0041	26
10.150	Hydraulic Parts SwingMax3	1 St	TEH0069	27
10.190	Hydraulic Line, Parts Kit SwingMax3	1 St	TEH0045	28
10.200	Hydraulic Line, Parts Kit SwingMax3	2 St	TEH0022	29
10.210	Hydraulic Line, Parts Kit SwingMax3 Supporting Frame /	1 St	TEH0034	30
10.240	Parts Kit, Stickers , SwingMax,	1 St	TSZ0103	31
10.250	Warning Sign Kit with Holder 423 x 423 mm Distance between	1 St	TSE.149	32
10.270	CFC Compressed-Air Supply Compressed Air Supply by	1 St	DVK.001	33
10.270.1000	Combination Pressure Reducer Hose Tail Ø 6 mm, 2083 NI/min	1 St	APV.013	34
10.280	Terminal Box Equipped Comfort Flow Control	1 St	ELE0057	35
20	Boom SwingMax3 24 mS	1 St	TSB0053	36

# Table of Contents

20.09.2017

Pos.	Denomination	Quantity	Part	Page
20.6000	Holding and Security Device DropStop Shaft SwingMax3	1 St	TAV.012.N1.TL	37
20.7000	DropStop Shaft SwingMax3 24 m S	1 St	TDP0037	38
20.7000.5000	DropStop Shaft SwingMax3 24 m S	1 St	TDW.012.TL	39
20.7000.6000	DropStop Actuation Cable Pull,	1 St	TES.400	40
20.7000.11000	Assembly Kit Mounting	3 St	TSM.135	41
20.7000.12000	Assembly Kit Bearing DropStop Shaft SwingMax3 18 m bis 33 m	1 St	TSM0675	42
20.7000.13000	Assembly Kit Cord Reel	3 St	TSZ.503	43
20.11000	Assembly Kit Rope Length Adjustment	3 St	TSE.424	44
20.13000	Assembly Kit Retraction Check Rope	1 St	TSM0086	45
20.15000	Set of Pins $\varnothing$ 20 mm x 63 mm	1 St	TSZ.500	46
30	Boom SwingMax3 24 mS	1 St	TSB0054	47
30.6000	Holding and Security Device DropStop Shaft SwingMax3	1 St	TAV.012.N1.TR	48
30.7000	DropStop Shaft SwingMax3 24 m S	1 St	TDP0038	49
30.7000.5000	DropStop Shaft SwingMax3 24 m S	1 St	TDW.012.TR	50
30.7000.6000	DropStop Actuation Cable Pull,	1 St	TES.400	40
30.7000.11000	Assembly Kit Mounting	3 St	TSM.135	41
30.7000.12000	Assembly Kit Bearing DropStop Shaft SwingMax3 18 m bis 33 m	1 St	TSM0675	42
30.7000.13000	Assembly Kit Cord Reel	3 St	TSZ.503	43
30.11000	Assembly Kit Rope Length Adjustment	3 St	TSE.424	44
30.13000	Assembly Kit Retraction Check Rope	1 St	TSM0086	45
30.15000	Set of Pins $\varnothing$ 20 mm x 63 mm	1 St	TSZ.500	46
40	Feed Line, Distributor SwingMax3, 24 m/24 mS	2 St	TSZ0078	51
50	TopSwing Boom SwingMax3 18 m - 27 m	1 St	TSB0140	
50.26000	Hose Retainer 10 x DN 40, 60 x 60 mm	1 St	THS0001	52
60	TopSwing Boom SwingMax3 18 m - 27 m	1 St	TSB0141	
60.26000	Hose Retainer 10 x DN 40, 60 x 60 mm	1 St	THS0001	52
70	Assembly Kit Stop	2 St	TSM0099	53
80	180° Folding SwingMax3	2 St	TSM.138	54
90	ExaCut ECL40 DN40	2 St	DPK0000008	55
90.10	Housing, Parts Kit ECL40-40	1 St	GEC.003	56

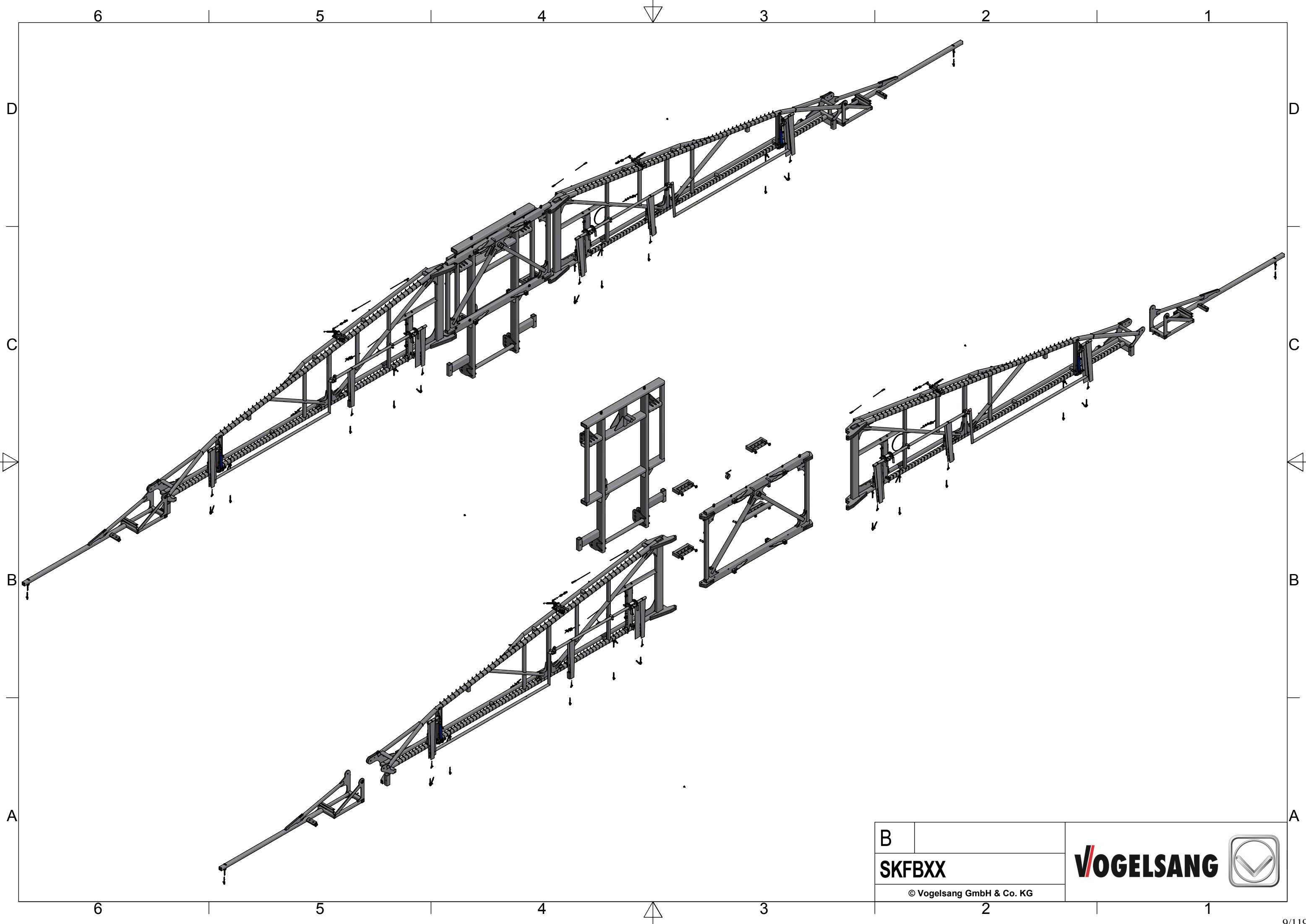
Pos.	Denomination	Quantity	Part	Page
90.10.3000	ExaCut, Installation Parts	1 St	TZL.702	57
90.10.3000.1000	Drive Adapter Double Ventilation 90°	1 St	TAS.015	58
90.10.3000.1000.10	Seal Kit ExaCut Shaft Diameter $\varnothing$ 32 mm	1 St	DDS0016	59
90.20	Cutting Ring ECL40-40	2 St	TFL.715	
90.30	ExaCut Rotor DN 125	1 St	GER0001	60
90.30.1000	ExaCut Rotor DN 125	1 St	GER0017	61
90.40	Hydraulic Motor Painted 250 cm <sup>3</sup> /U, 32,0 mm	1 St	AOM.018.TF	
90.50	Eccentric Adjuster ECL/ECV 75%	4 St	TEV.005.N1.T1	62
90.50.2000	Torsion Spring Set Double Torsion Spring with Torsion	1 St	NFE0085	63
90.60	Label Turn off Drive	2 St	VAU.013.00	
90.70	Label Caution: Risk of Hand Injuries 100 mm x 113 mm	2 St	VAU.014	
90.80	Label Operating Instructions	1 St	VAU.133	
90.90	Label Vogelsang Logo	2 St	VAU0046	
90.100		1 St	VAU0120	
100	Distributor Holder ECL/ETX	2 St	THM.126.N1	64
110	Rectangular Plug 60 mm x 40 mm x 14 mm	4 St	NST.012	
120	Hydraulic Parts	1 St	TSZ0064	65
130	Hose Guide Kit SwingMax3 24 mS	2 St	TSE.429.T8	66
140	Hose Guide Canted, DN 40	2 St	TSE.427	67
150	Hose Guide Canted, DN 40	2 St	TSE.428	68
160	Hose Guide Canted, DN 40	2 St	TSE.180.N1	69
170	Hose Guide Flat, DN 40	4 St	TSE.114	70
180	Hydraulic Parts SwingMax3	2 St	TEH0130	71
190	Hydraulic Parts	1 St	TEH0016	72
200	Hydraulic Parts SwingMax3	1 St	TSM0222	73
200.9000	Hydraulic Parts SwingMax3	1 St	TEH0110	74
210	Hydraulic Parts SwingMax3	1 St	TSM0221	75
210.9000	Hydraulic Parts SwingMax3	1 St	TEH0110	74
220	Hydraulic Parts SwingMax3	2 St	TEH0109	76
230	Hydraulic Hose 2 SN DN 16 x 3000 mm	1 St	THZ.056	

Pos.	Denomination	Quantity	Part	Page
240	CFC-Actuation (Valve) Electrical Operation 12 V	1 St	EPV.004	77
240.3000	CFC Quick Vent Valve Elbow	4 St	TPV0001	78
250	CFC-Actuation (Valve) Electrical Operation 12 V	1 St	EPV0014	
250.14000	CFC Quick Vent Valve Elbow	4 St	TPV0001	78
260	5 CFC pro Gruppe mit Zubehör Version: DN40 Anschluß auf	6 St	TSZ.421	79
270	3 CFC pro Gruppe mit Zubehör Version: DN40 Anschluß auf	2 St	TSZ.433	
280	Cable YSLY-JZ Grey	18 m	EKK.005	
300	Complete Cable-Operated Mechanism SwingMax3 Stroke =	1 St	TSE.329.TL	80
300.8000	Cable-Control Guide Stroke = 300 mm, Left	1 St	TSE.320.TL	81
300.9000	Cable Pulley Holder Cable-Operated Mechanism,	1 St	TSE.324.TL	82
300.10000	Rope Pretensioning Cable-Operated Mechanism	1 St	TSE.326	83
300.11000	Rope Pretensioning Cable-Operated Mechanism Left	1 St	TSE.327.TL	84
300.12000	Spacer Tube Cable-Operated Mechanism	2 St	TSE.328	85
300.13000	Hose Retainer Steel	1 St	TSE.338	86
310	Complete Cable-Operated Mechanism SwingMax3 Stroke =	1 St	TSE.329.TR	87
310.8000	Cable-Control Guide Stroke = 300 mm, Right	1 St	TSE.320.TR	88
310.9000	Cable Pulley Holder Cable-Operated Mechanism,	1 St	TSE.324.TR	89
310.10000	Rope Pretensioning Cable-Operated Mechanism	1 St	TSE.326	83
310.11000	Rope Pretensioning Cable-Operated Mechanism Right	1 St	TSE.327.TR	90
310.12000	Spacer Tube Cable-Operated Mechanism	2 St	TSE.328	85
310.13000	Hose Retainer Steel	1 St	TSE.338	86
320	DropStop Square Tube 2870 mm DoubleFold	1 St	STS.001.TL	91
330	DropStop Square Tube 2870 mm DoubleFold	1 St	STS.001.TR	92
340	Square Tube 60 mm x 40 mm x 2 mm	5,2 m	HRV.038	
350	Square Tube 60 mm x 40 mm x 2 mm	5,2 m	HRV.038	
360	TeleShift Left Head or Rear	1 St	TSE0043	93
360.14000	Assembly Kit Tackle Guide	1 St	TSM0192	94
370	TeleShift Right Head or Rear	1 St	TSE0044	95
370.14000	Assembly Kit Tackle Guide	1 St	TSM0192	94
380	Spacer 70 mm x 10 mm x 165 mm	1 St	TSE0093	96

Pos.	Denomination	Quantity	Part	Page
390	Spacer 70 mm x 10 mm x 165 mm	1 St	TSE0094	97
400	TeleShift Left Head or Rear	1 St	TSE0043	93
400.14000	Assembly Kit Tackle Guide	1 St	TSM0192	94
410	TeleShift Right Head or Rear	1 St	TSE0044	95
410.14000	Assembly Kit Tackle Guide	1 St	TSM0192	94
420	Hose Retainer, DropStop Pipe DN 40, Left	10 St	TSZ.307.TL	98
430	Hose Retainer, DropStop Pipe DN 40, Left	2 St	TSZ.328.T3.TL	
440	Hose Retainer, DropStop Pipe DN 40, Right	10 St	TSZ.307.TR	99
450	Hose Retainer, DropStop Pipe DN 40, Right	2 St	TSZ.328.T3.TR	100
460	Hose Retainer, DropStop Pipe DN 40, On Both Sides	4 St	TSZ.329	101
470	Hose Retainer, DropStop Pipe DN 40, Left	26 St	TSZ.254.TL	102
480	Hose Retainer, DropStop Pipe DN 40, Right	20 St	TSZ.254.TR	103
490	Hose Retainer, DropStop Pipe DN 40, On Both Sides	2 St	TSZ.330	104
500	Hose Retainer, DropStop Pipe DN 40, On Both Sides	4 St	TSZ.253	105
510	Assembly Kit Connecting Element	2 St	TSM0274	106
520	Spiral Hose Ø 40 mm x 3,7 mm, PVC, 3 bar Transparent Green	400 m	HSC.016	
530	Hose Section Ø 40 mm x 3,7 mm, 600 mm PVC, Transparent	52 St	HSC.043	
540	Hose Section Ø 40 mm x 3,7 mm, 670 mm	28 St	HSC.048	
550	Spiral Hose Ø 40 mm x 3,7 mm, PVC, 6 bar Transparent-Red	16 m	HSC0036	
560	Distance Flap 5 mm, 75 mm	4 St	TFL1977	
570	Assembly Kit Holder	2 St	TSM0409	107
580	Lashing Strap 25 mm x 2000 mm	44 St	TSE.119	
590	Hydraulic Parts	2 St	TEH0094	108
600	Hydraulic Parts SwingMax3 TeleShift Hydraulic Cylinder,	2 St	TEH0115	109
610	Assembly Kit Holder	1 St	TSM0269	110
620	Assembly Kit Holder	1 St	TSM0486	111
630	Assembly Kit Stop	2 St	TSM0198	112
640	Plug Coupling Plug BGR 6	3 St	SST.049	
650	Hydraulic Hose 2 SN DN 6 x 350 mm	4 St	THZ.105	
660	Hydraulic Line, Parts Kit SwingMax3	2 St	TEH0021	113

Pos.	Denomination	Quantity	Part	Page
670	Hydraulic Line, Parts Kit SwingMax3 24 m/ 24 mS	2 St	TEH0018	114
680	Hydraulic Hose 2 SN DN 6 x 6000 mm	2 St	THZ0055	
690	Hydraulic Line, Parts Kit SwingMax3 18 m/ 21 m/ 24 mS	2 St	TEH0104	115
700	Hydraulic Line, Parts Kit SwingMax3 24 mS	2 St	TEH0011	116
710	Hydraulic Hose 2 SN DN 6 x 1100 mm	4 St	THZ.131	
720	Hydraulic Hose 2 SN DN 6 x 2300 mm	2 St	THZ.013	
730	Hydraulic Line, Parts Kit SwingMax3 24 mS	2 St	TEH0065	117
740	Parts Kit, Stickers , SwingMax,	2 St	TSZ0136	118
750	Hydraulic Oil Barrel	14,49 l	BSS.014	

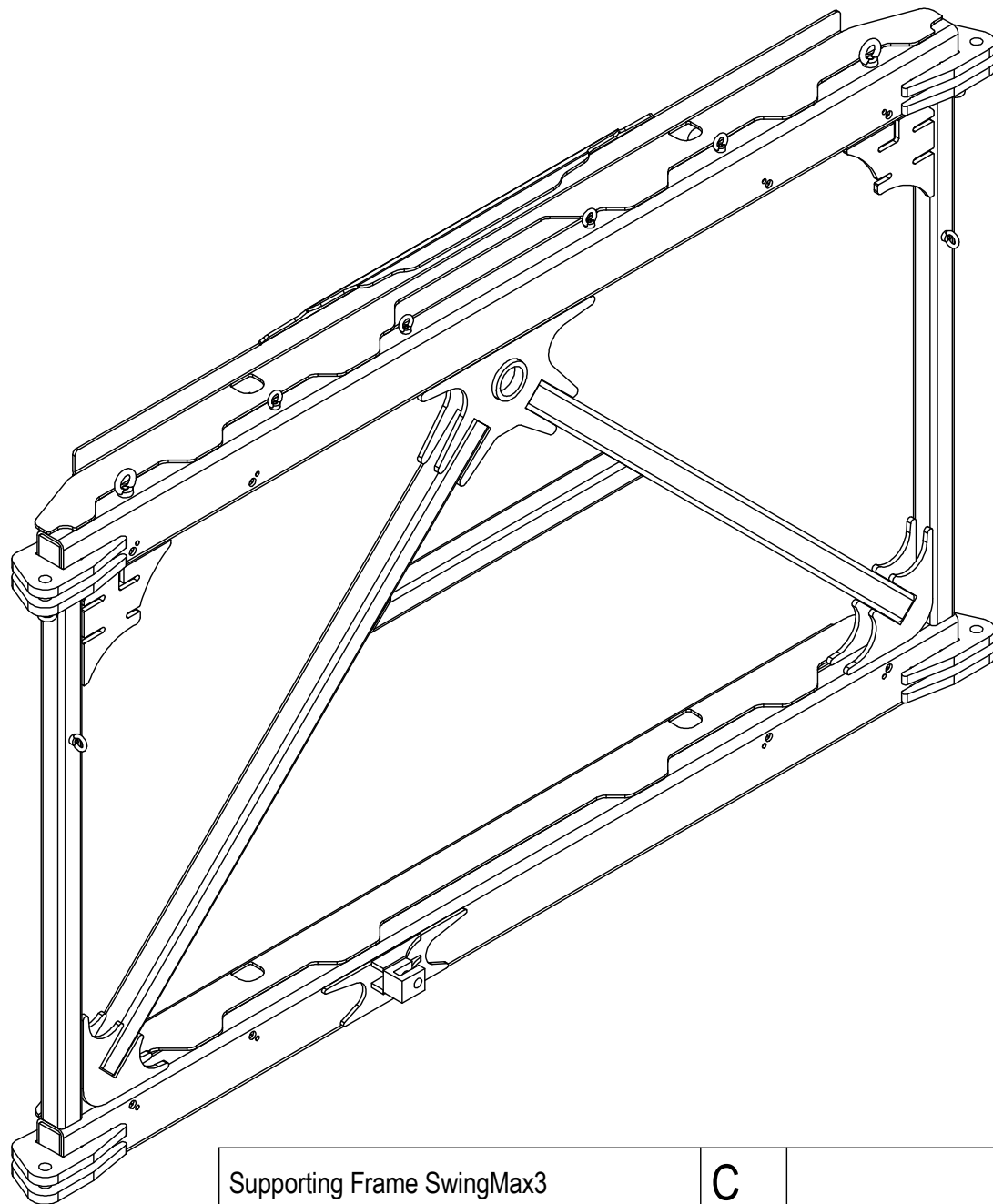




B	
<b>SKFBXX</b>	
© Vogelsang GmbH & Co. KG	

**VOGELSANG**





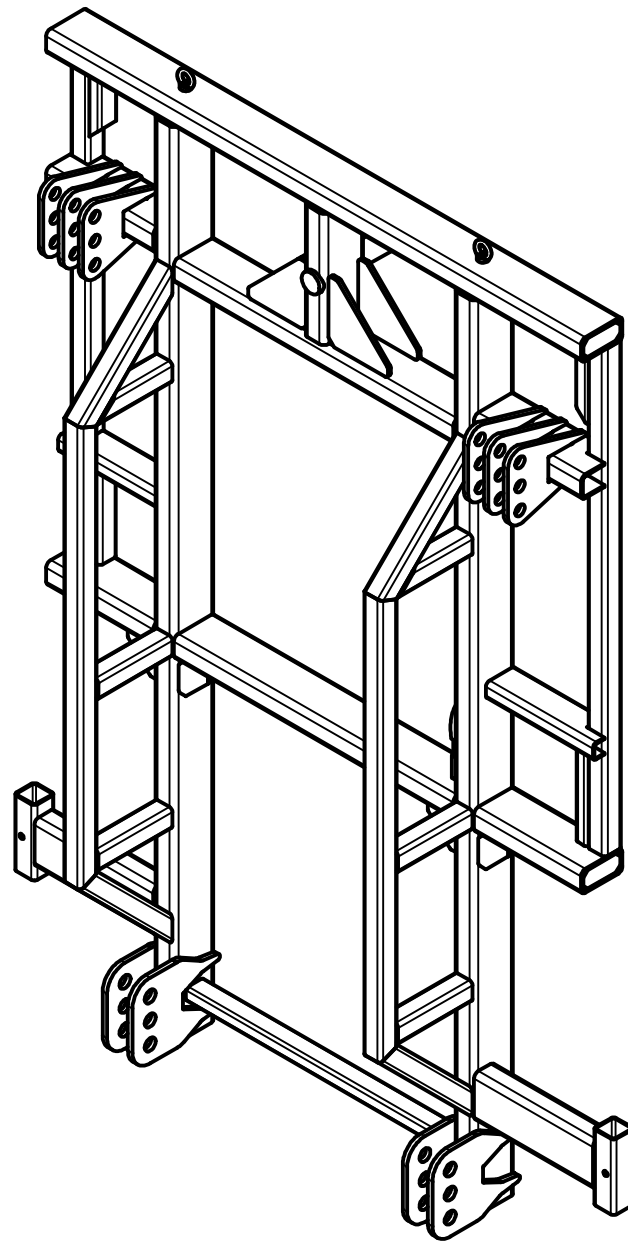
Supporting Frame SwingMax3  
Four-Point Mounting

C

THR125.N1.T1

**VOGELSANG**





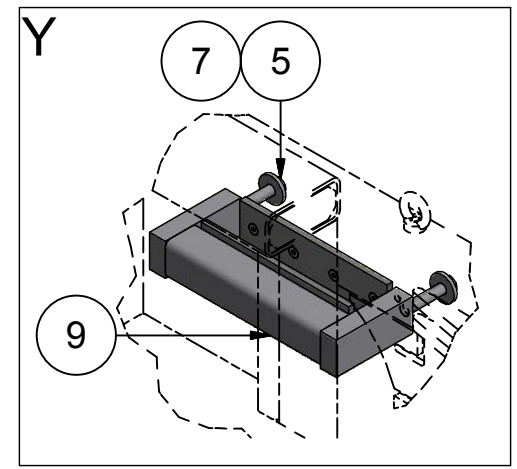
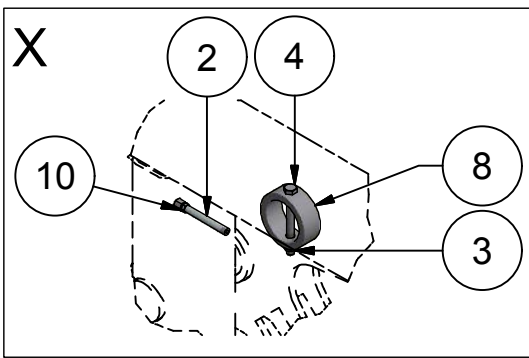
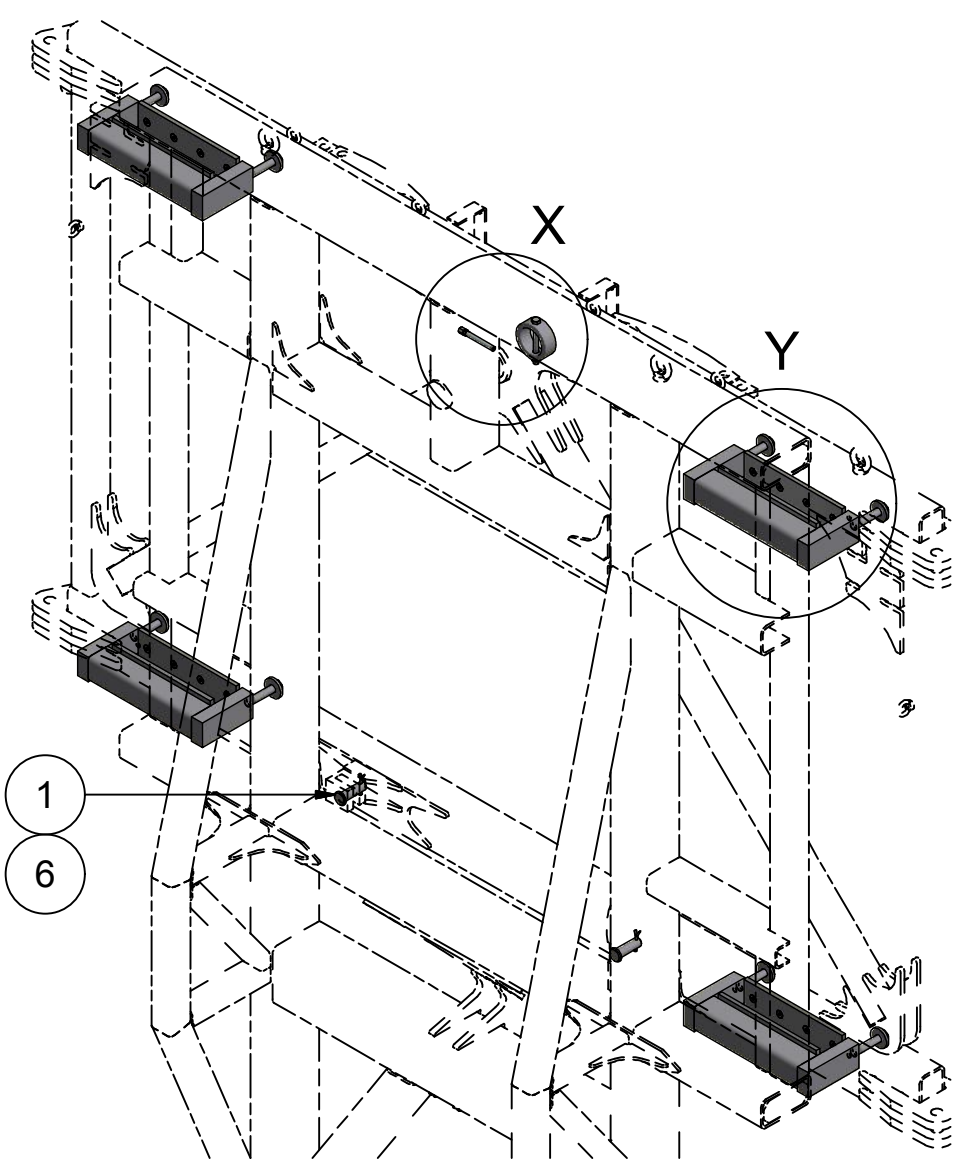
Supporting Frame Holder  
SwingMax3 Four-Point  
Mounting

C

THM327.T1

**VOGELSANG**





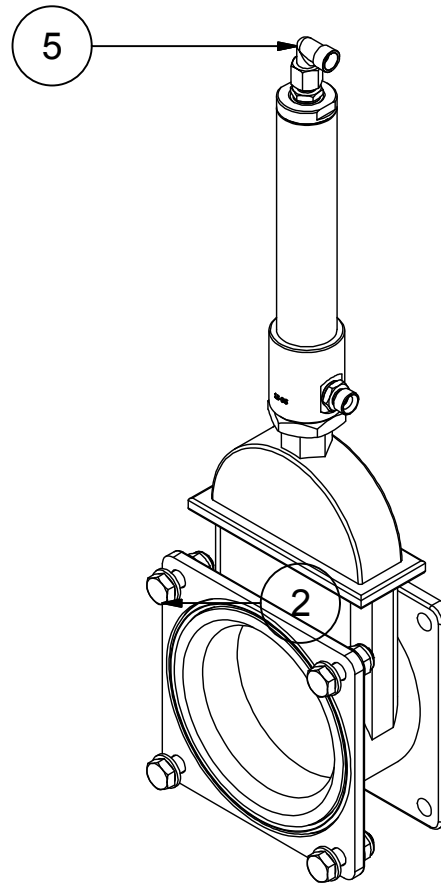
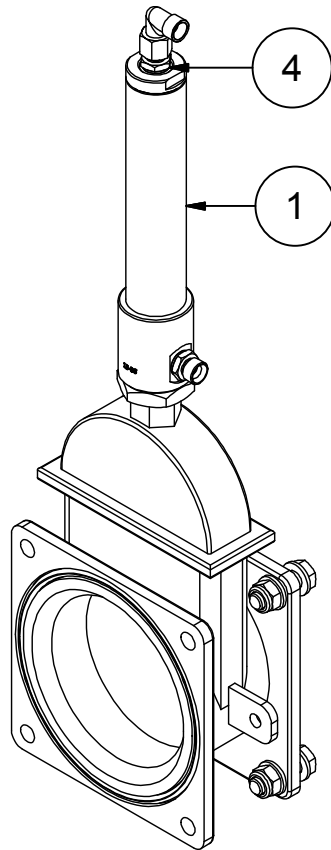
BOM			
Pos.	Qty.	Part	Description
1	2	NBO.008	Spring Cotter Bolt Ø 20 mm x 55 mm
2	1	NKS.007	Grease Nipple Extension Male Thread M 10 x 1
3	1	NMK.001	Hexagon Nut M 10, DIN 985
4	1	NSK.012	Hexagon Head Bolt M 10 x 100 mm, DIN 931
5	8	NSK0042	Hexagon Head Bolt M 16 x 100 mm, DIN 931
6	2	NSP.012	Split Pin Ø 5,0 mm x 40 mm
7	8	NUS0081	Washer 17,0 mm x 45 mm x 6,0 mm
8	1	TSE.063	Adjusting Ring Ø 61,5 mm x 30 mm
9	4	TSE.417	Oscillation Limiter 290 mm x 62 mm
10	1	NGE0213	Screw-In Fitting Straight 6 LL - M 6 x 1k

Oscillation Limiter, Complete  
SwingMax3

D  
TSM0075

**VOGELSANG**





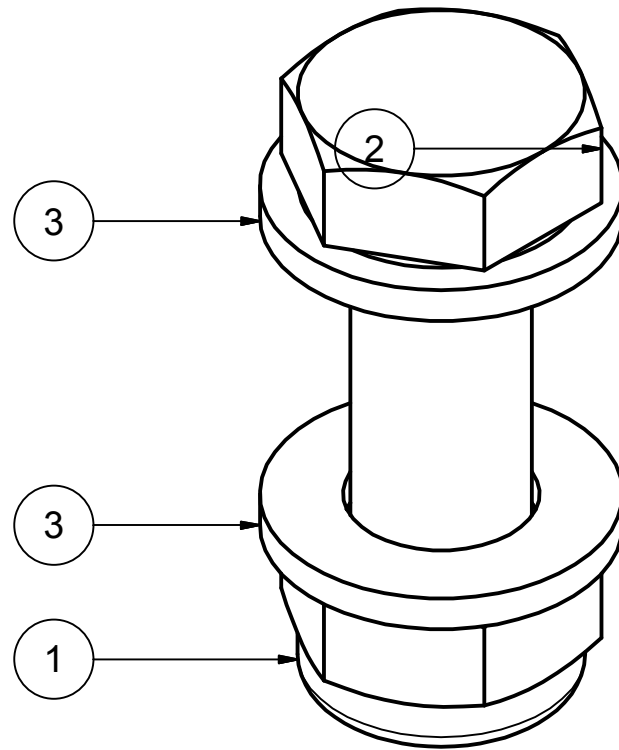
BOM			
Pos.	Qty.	Part	Description
1	2	AHZ.034	Hydraulic Cylinder 4 to 6 inch Flange Gate Valve
2	2	GSM.002	Flanged Gate Valve MZ 6 inch Maximum Pressure 2,5 bar
4	4	NGE.003	Screw-In Fitting Straight 10 L - 1/4 inch
5	2	NWE.003	Connection Fitting Angle
9	16	NUS.005	Washer A 13,0 mm x 24 mm x 2,5 mm
10	8	NMK.002	Hexagon Nut M 12, DIN 985
11	8	NSK.030	Hexagon Head Bolt M 12 x 40 mm, DIN 933

Slide Valve with Actuation  
6 inch Hydraulic

C  
TSZ0061

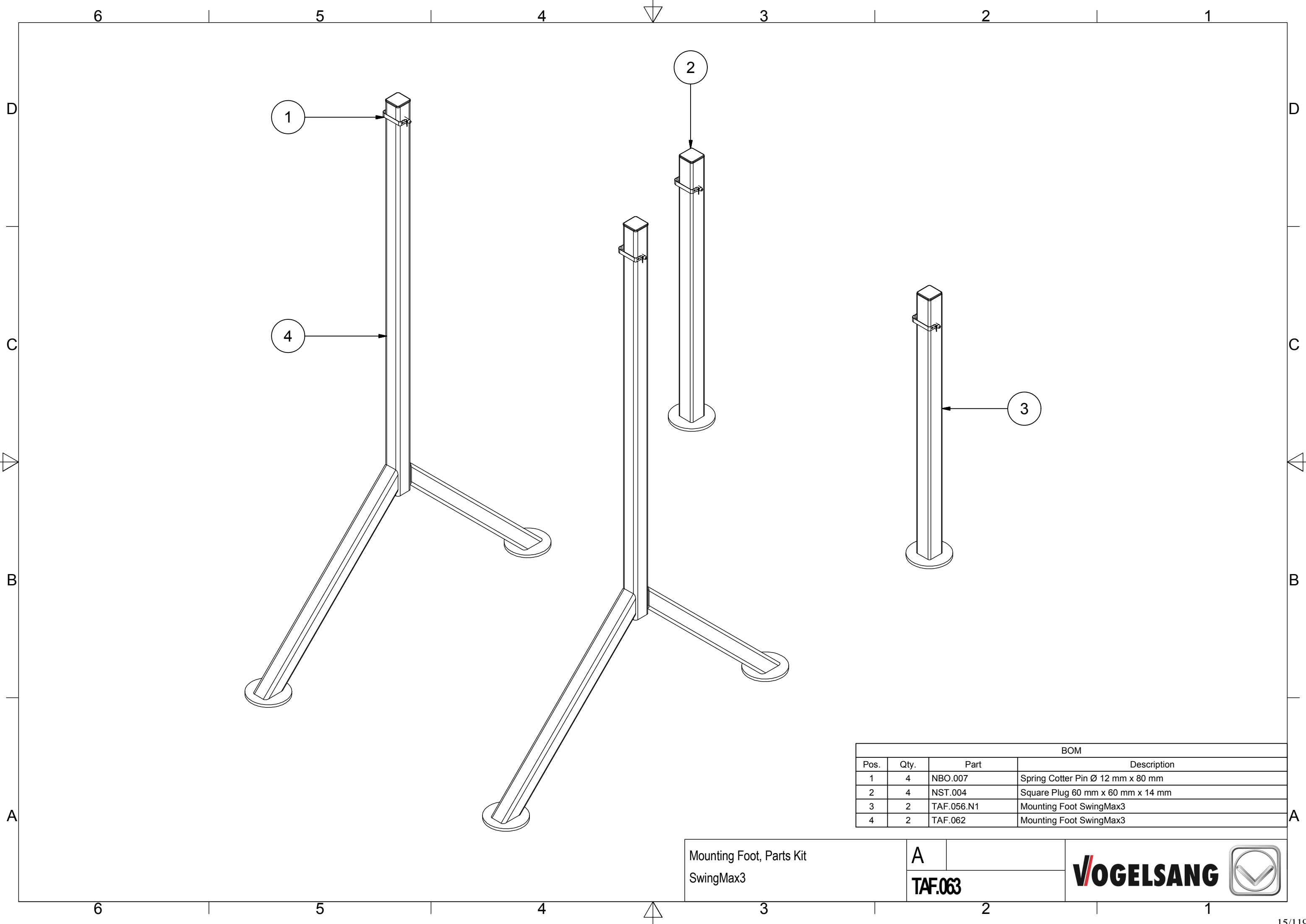
**VOGELSANG**





BOM			
Pos.	Qty.	Part	Description
1	1	NMK.002	Hexagon Nut M 12, DIN 985
2	1	NSK.030	Hexagon Head Bolt M 12 x 40 mm, DIN 933
3	2	NUS.005	Washer A 13,0 mm x 24 mm x 2,5 mm

Bolt Set	A	
	IBA030.T8	



BOM			
Pos.	Qty.	Part	Description
1	4	NBO.007	Spring Cotter Pin Ø 12 mm x 80 mm
2	4	NST.004	Square Plug 60 mm x 60 mm x 14 mm
3	2	TAF.056.N1	Mounting Foot SwingMax3
4	2	TAF.062	Mounting Foot SwingMax3

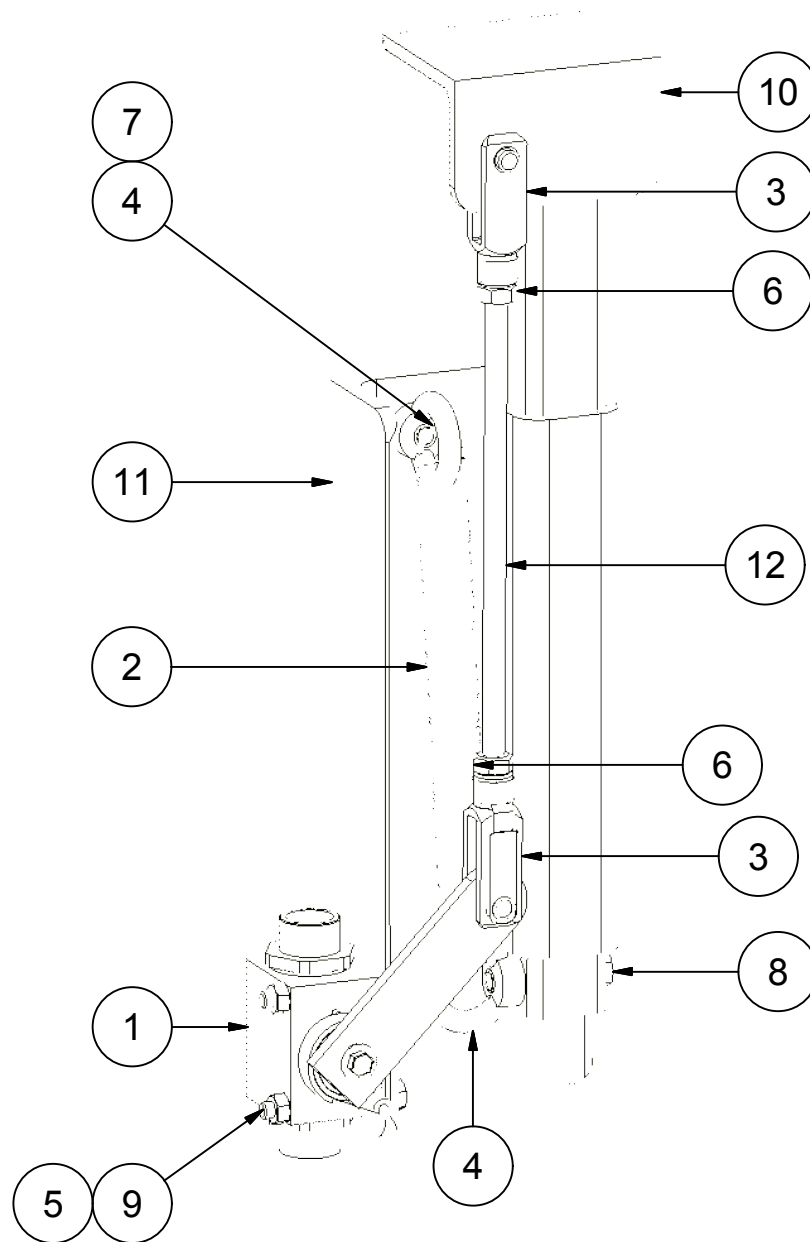
Mounting Foot, Parts Kit  
SwingMax3

A

TAF.063

**VOGELSANG**





BOM			
Pos.	Qty.	Part	Description
1	1	AHV.045	2-Ways Lift Limiter DN 13, 15 L
2	1	NFE.005	Tension Spring 2 mm x 18 mm x 144,2 mm
3	2	NGK.004	Clevis Head Female Thread Ø 8 mm x 32 mm, B=8 mm, M 8
4	2	NMK.015	Ring Nut M 8, DIN 582
5	2	NMS.001	Hexagon Nut M 6, DIN 934
6	2	NMS.002	Hexagon Nut M 8, DIN 934
7	1	NSK.017	Hexagon Head Bolt M 8 x 16 mm, DIN 933
8	1	NSK.022	Hexagon Head Bolt M 8 x 40 mm, DIN 931
9	2	NSK.086	Hexagon Head Bolt M 6 x 50 mm, DIN 933
10	1	TSE.112	Slide Rod Steel
11	1	TSE.227	Guidance Steel
12	1	ZNGS010.0220	

Assembly Kit  
Lift Limiter

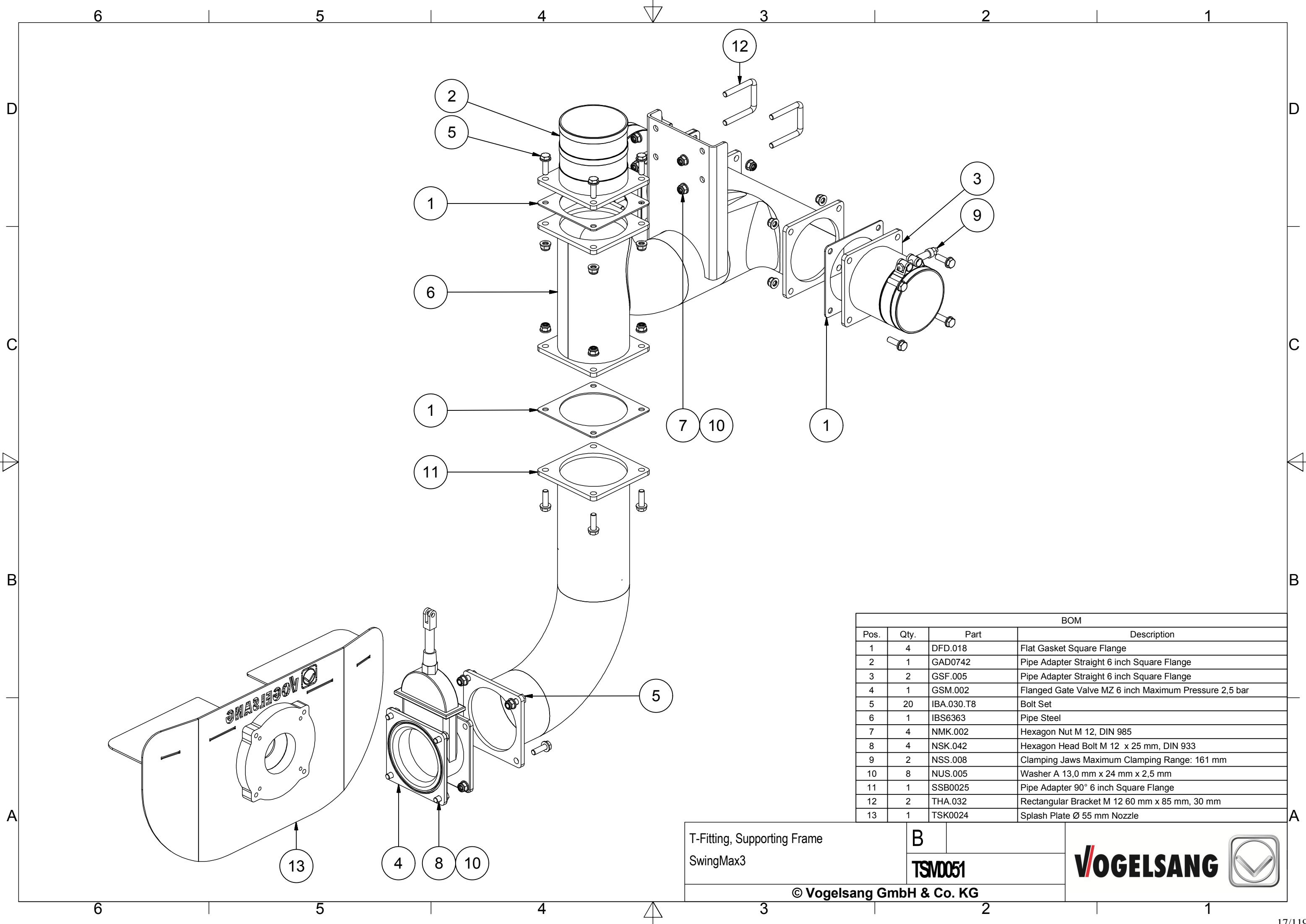
B

TSE113

**VOGELSANG**

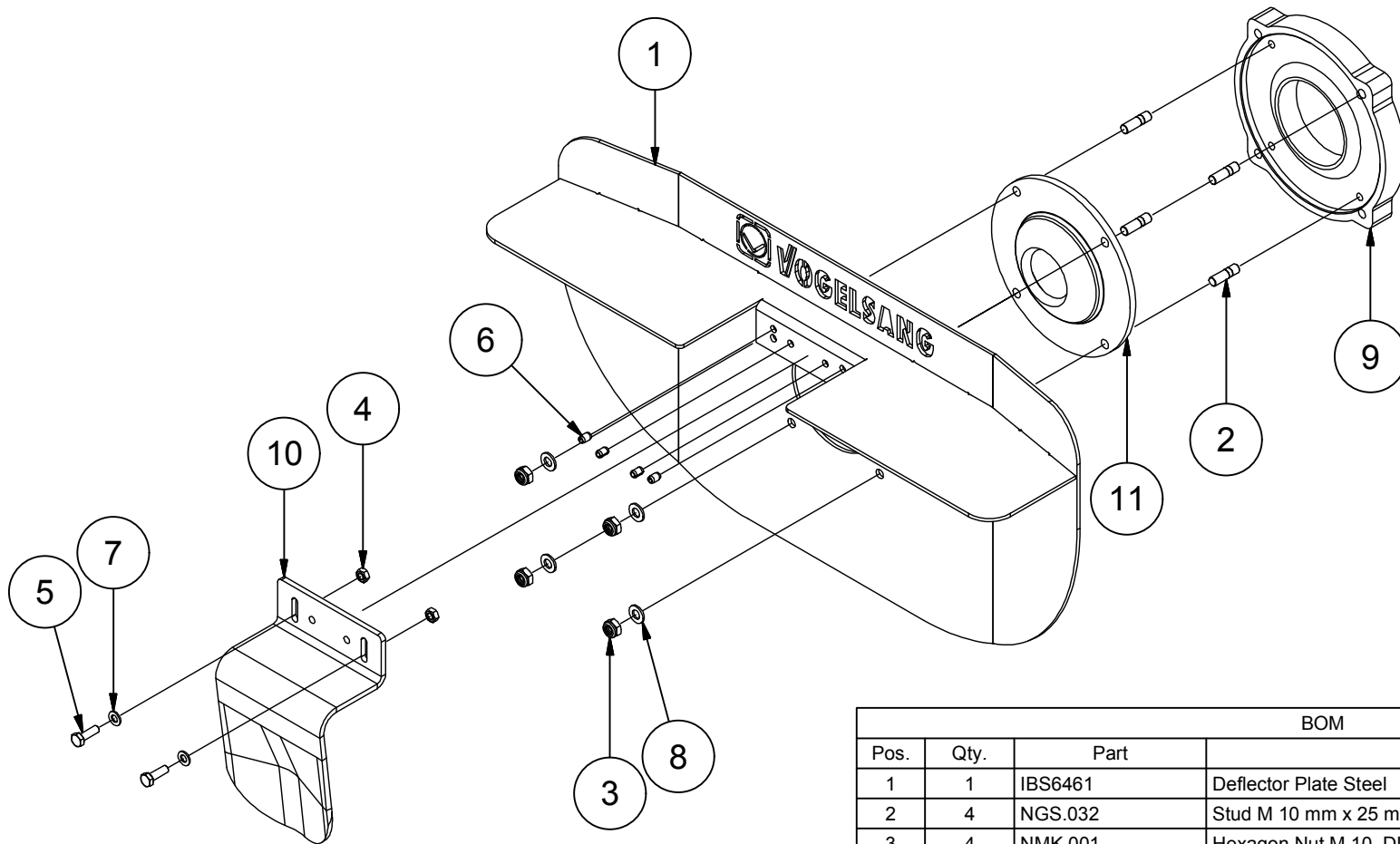






BOM			
Pos.	Qty.	Part	Description
1	4	DFD.018	Flat Gasket Square Flange
2	1	GAD0742	Pipe Adapter Straight 6 inch Square Flange
3	2	GSF.005	Pipe Adapter Straight 6 inch Square Flange
4	1	GSM.002	Flanged Gate Valve MZ 6 inch Maximum Pressure 2,5 bar
5	20	IBA.030.T8	Bolt Set
6	1	IBS6363	Pipe Steel
7	4	NMK.002	Hexagon Nut M 12, DIN 985
8	4	NSK.042	Hexagon Head Bolt M 12 x 25 mm, DIN 933
9	2	NSS.008	Clamping Jaws Maximum Clamping Range: 161 mm
10	8	NUS.005	Washer A 13,0 mm x 24 mm x 2,5 mm
11	1	SSB0025	Pipe Adapter 90° 6 inch Square Flange
12	2	THA.032	Rectangular Bracket M 12 60 mm x 85 mm, 30 mm
13	1	TSK0024	Splash Plate Ø 55 mm Nozzle

T-Fitting, Supporting Frame SwingMax3	B	
	TSM051	
© Vogelsang GmbH & Co. KG		



BOM			
Pos.	Qty.	Part	Description
1	1	IBS6461	Deflector Plate Steel
2	4	NGS.032	Stud M 10 mm x 25 mm, DIN 938
3	4	NMK.001	Hexagon Nut M 10, DIN 985
4	2	NMS.002	Hexagon Nut M 8, DIN 934
5	2	NSK.019	Hexagon Head Bolt M 8 x 25 mm, DIN 933
6	4	NSP0017	Spring Pin 8 mm x 12 mm, ISO 8752
7	2	NUS.003	Washer A 8,4 mm x 16 mm x 1,6 mm
8	4	NUS.004	Washer A 10,5 mm x 20 mm x 2,0 mm
9	1	TAA0002	Flange 28 mm 1.0570
10	1	TFL0256	Deflector Plate 6 mm 1.0038
11	1	TGD.002	Rubber Orifice Ø 55 mm x Ø 200 mm

Splash Plate  
 Ø 55 mm Nozzle

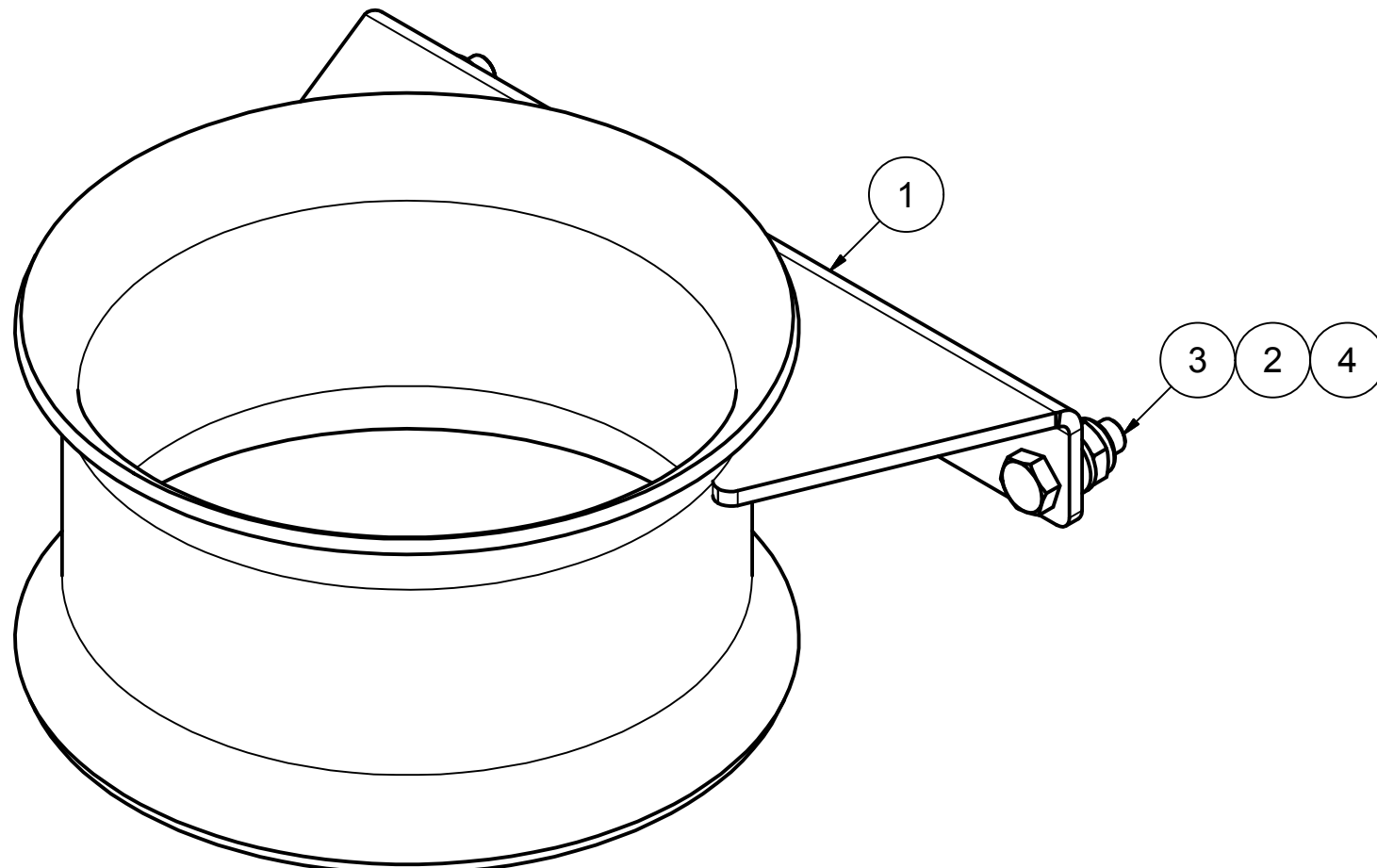
A

TSK0024

© Hugo Vogelsang Maschinenbau GmbH.

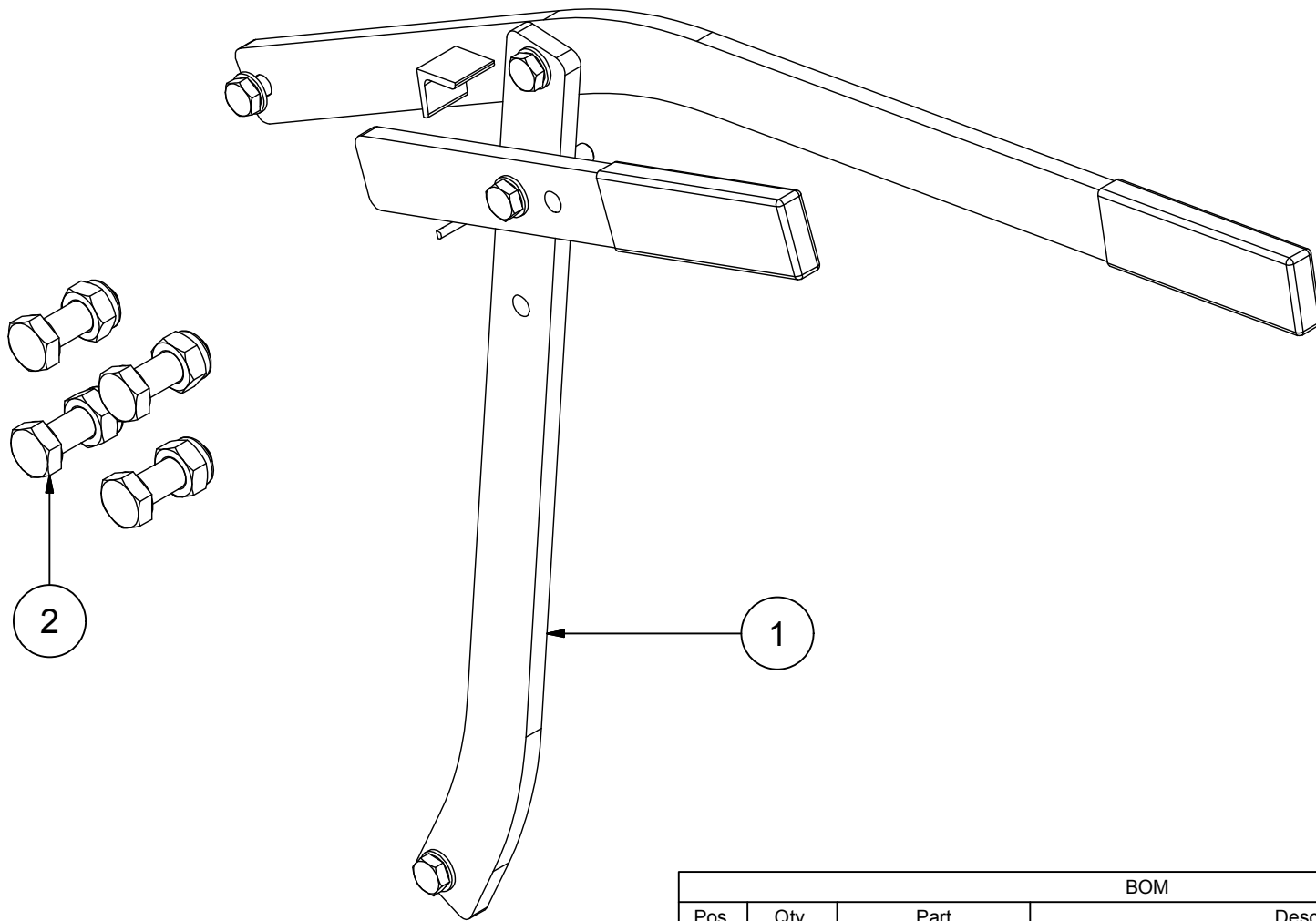
**VOGELSANG**





BOM			
Pos.	Qty.	Part	Description
1	1	IBS4713	Hose Guide DN 175
2	2	NMK.001	Hexagon Nut M 10, DIN 985
3	2	NSK.001	Hexagon Head Bolt M 10 x 30 mm, DIN 933
4	2	NUS.004	Washer A 10,5 mm x 20 mm x 2,0 mm

Hose Guide Supporting Frame	A	
	IBA1601	
© Hugo Vogelsang Maschinenbau GmbH.		



BOM			
Pos.	Qty.	Part	Description
1	1	GSG.005	Hand Lever for Flange Gate Valve 4 inch - 6 inch Standard
2	1	TSM.147	Bolt Set

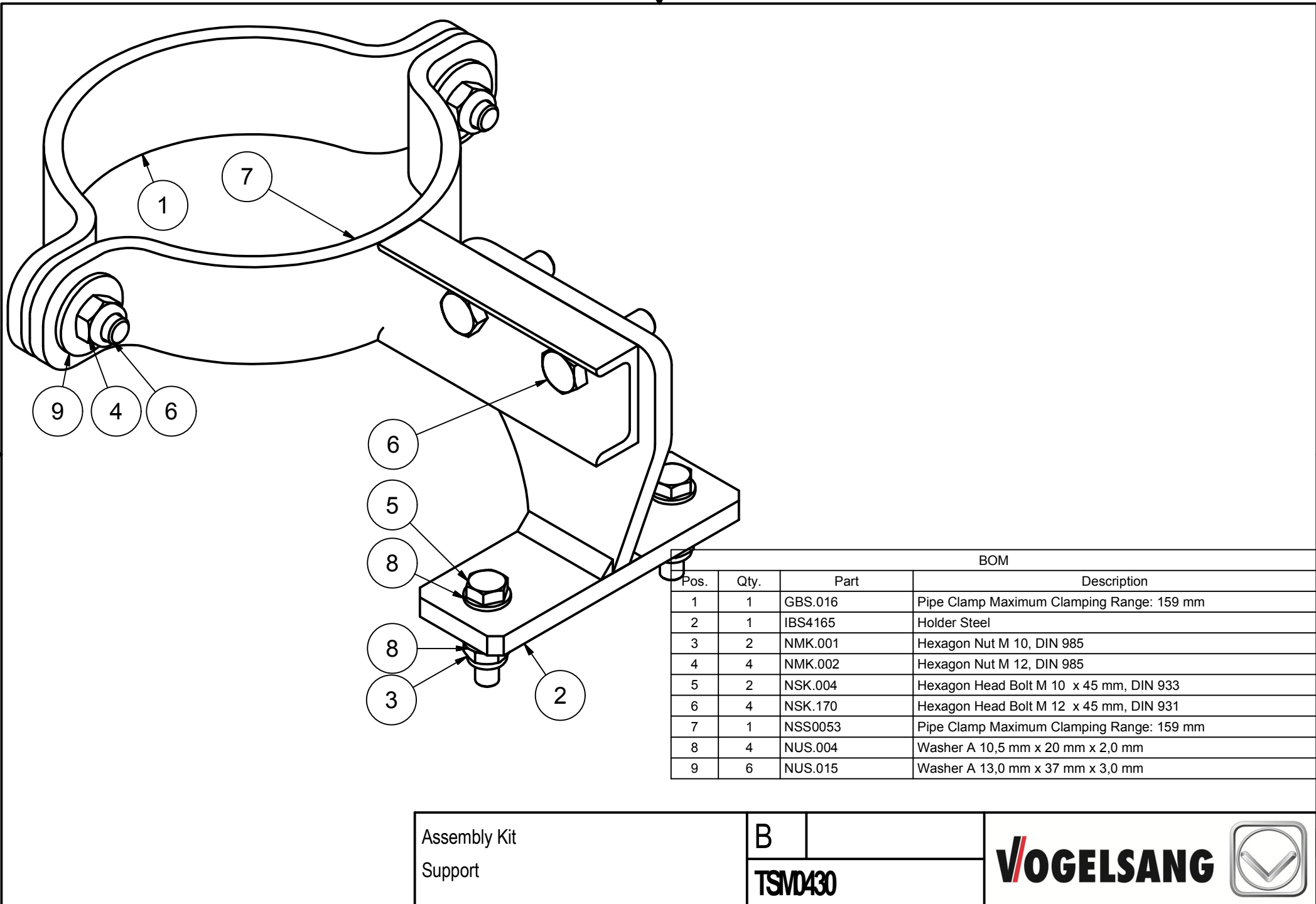
Gate Valve Operating Mechanism  
5/6 inch, Manuel Actuation

B

TSZ0054

**VOGELSANG**





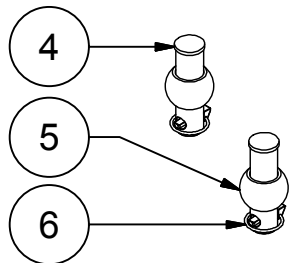
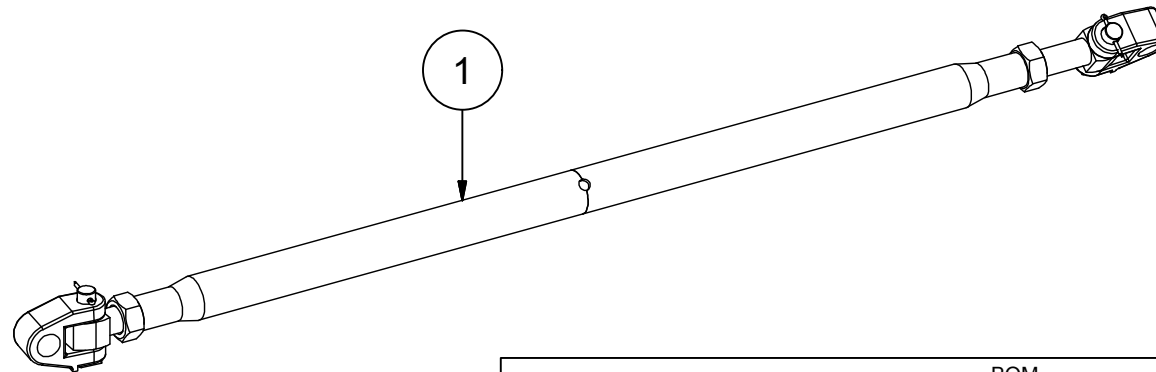
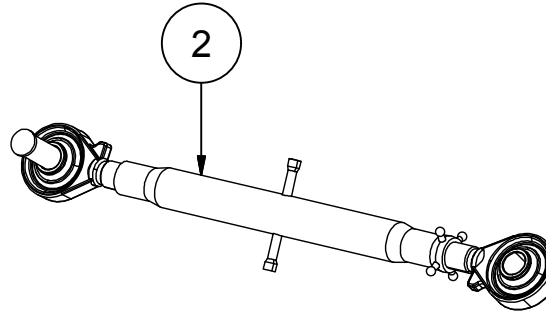
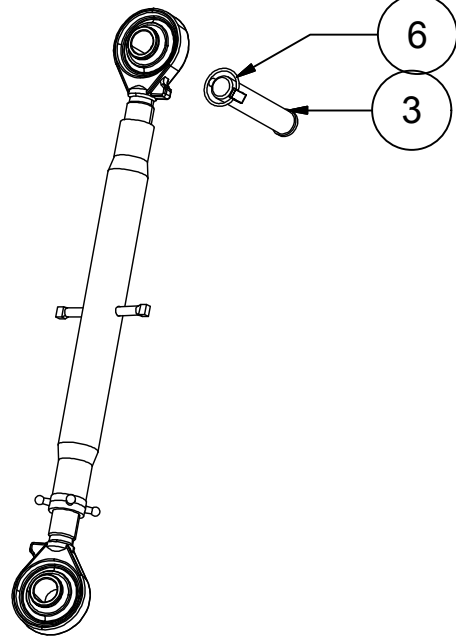
BOM			
Pos.	Qty.	Part	Description
1	1	GBS.016	Pipe Clamp Maximum Clamping Range: 159 mm
2	1	IBS4165	Holder Steel
3	2	NMK.001	Hexagon Nut M 10, DIN 985
4	4	NMK.002	Hexagon Nut M 12, DIN 985
5	2	NSK.004	Hexagon Head Bolt M 10 x 45 mm, DIN 933
6	4	NSK.170	Hexagon Head Bolt M 12 x 45 mm, DIN 931
7	1	NSS0053	Pipe Clamp Maximum Clamping Range: 159 mm
8	4	NUS.004	Washer A 10,5 mm x 20 mm x 2,0 mm
9	6	NUS.015	Washer A 13,0 mm x 37 mm x 3,0 mm

Assembly Kit  
Support

B

TSMV430





BOM			
Pos.	Qty.	Part	Description
1	1	GOL.003	Mechanical Top Link Category 3
2	2	GOL.004	Mechanical Top Link Category 3
3	2	GRS.014	Spring Cotter Bolt Ø 31,7 mm x 161 mm
4	2	GRS.015	Spring Cotter Bolt Ø 36,6 mm x 115 mm
5	2	GUL.002	Lower Link, Ball Ø 37 mm, Category 3
6	4	NKL.002	Clip Pin Ø 11 mm x 45 mm

Assembly Kit  
Supporting Frame - Tank

B

TSM0047

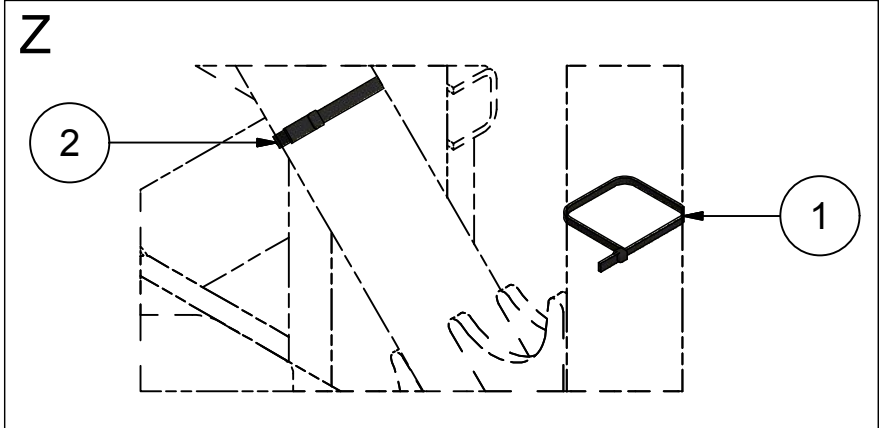
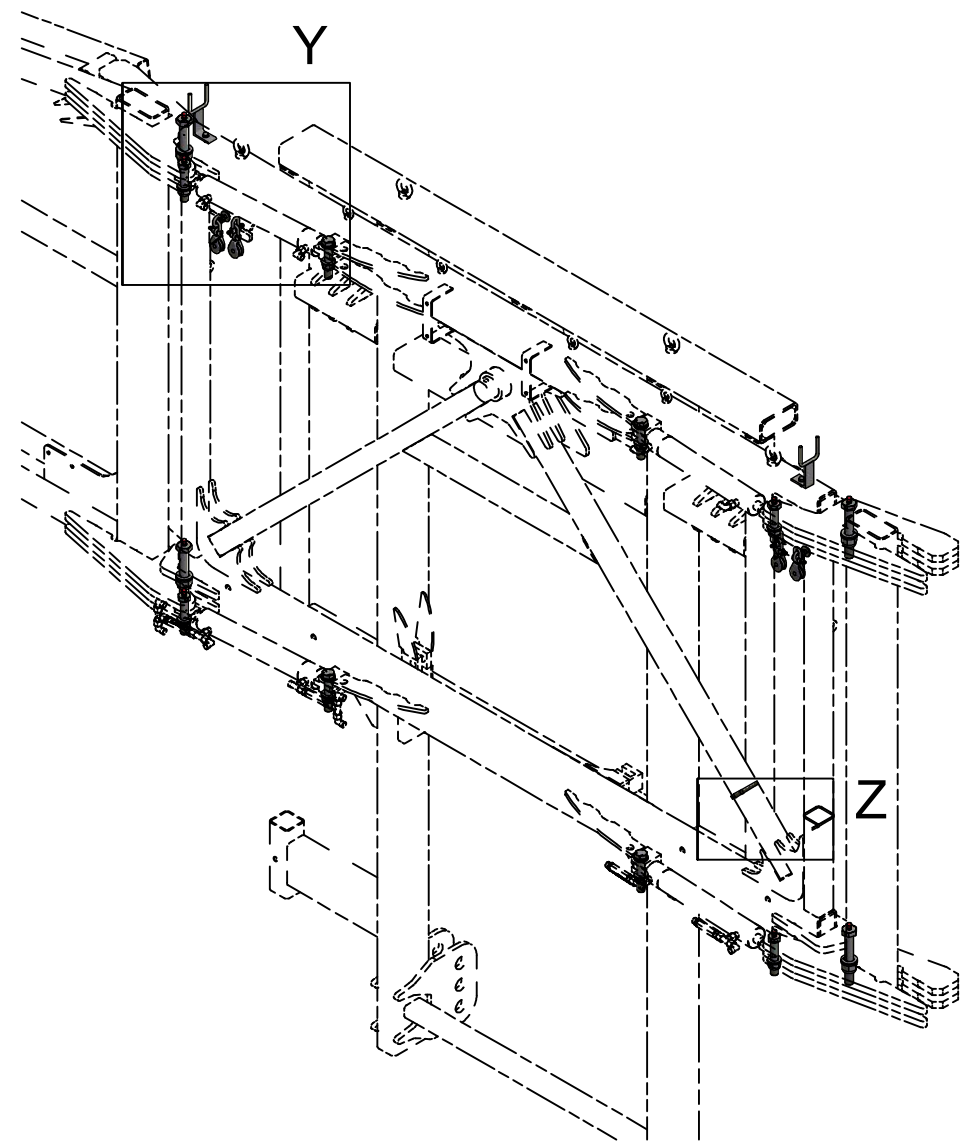
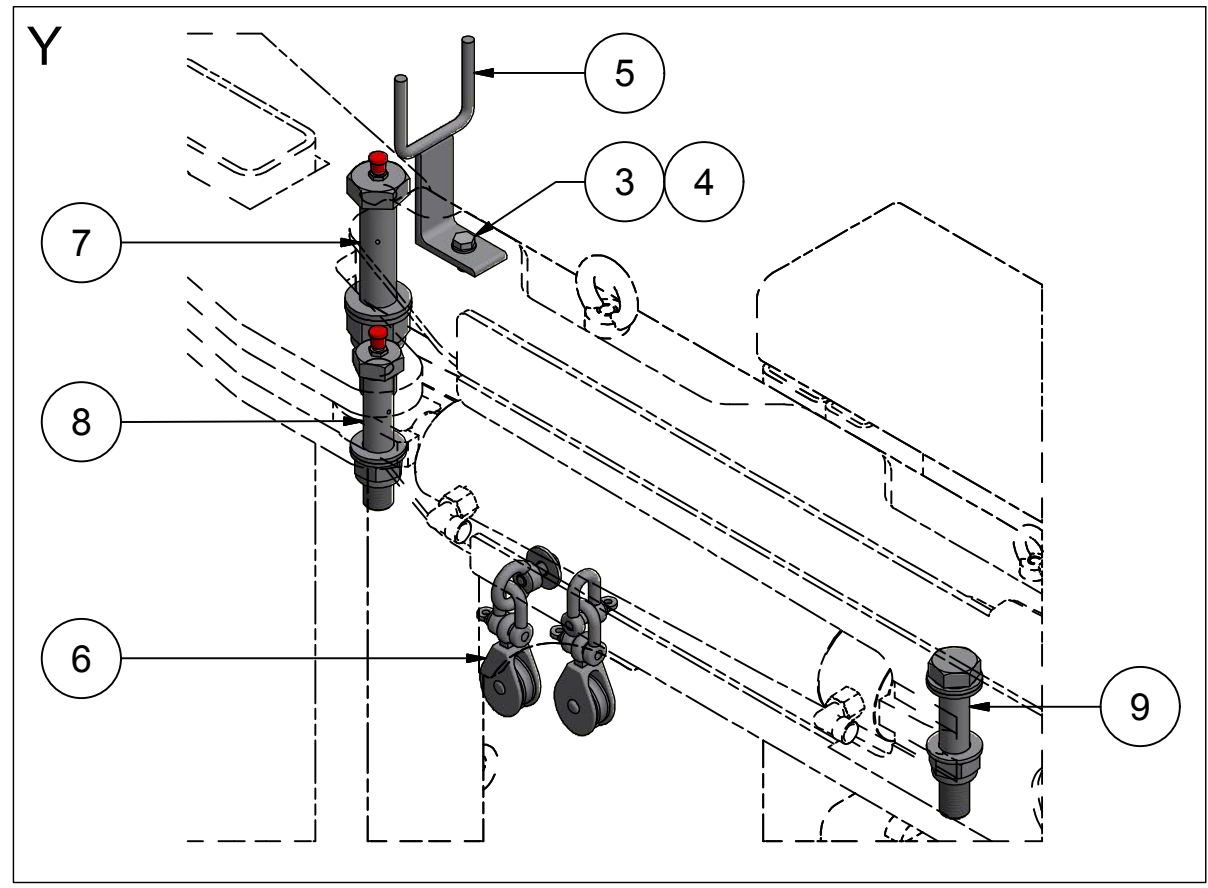
**VOGELSANG**



© Hugo Vogelsang Maschinenbau GmbH.

6 5 4 3 2 1

D



BOM			
Pos.	Qty.	Part	Description
1	60	NKB.001	Cable Tie 4,8 mm x 300 mm
2	80	NKB.008	Cable Tie 9 mm x 530 mm
3	2	NSK.018	Hexagon Head Bolt M 8 x 20 mm, DIN 933
4	2	NUS.003	Washer A 8,4 mm x 16 mm x 1,6 mm
5	2	SSB0031	Hose Retainer Steel
6	1	TSM.130	Assembly Kit Pulley
7	4	TSZ.502	Set of Pins M 24 x 160 mm
8	4	TSZ0013	Set of Pins M 20 x 110 mm
9	4	TSZ0135	Set of Pins Ø 20 mm x 110 mm

C

B

Supporting Frame, Installation  
Parts SwingMax3

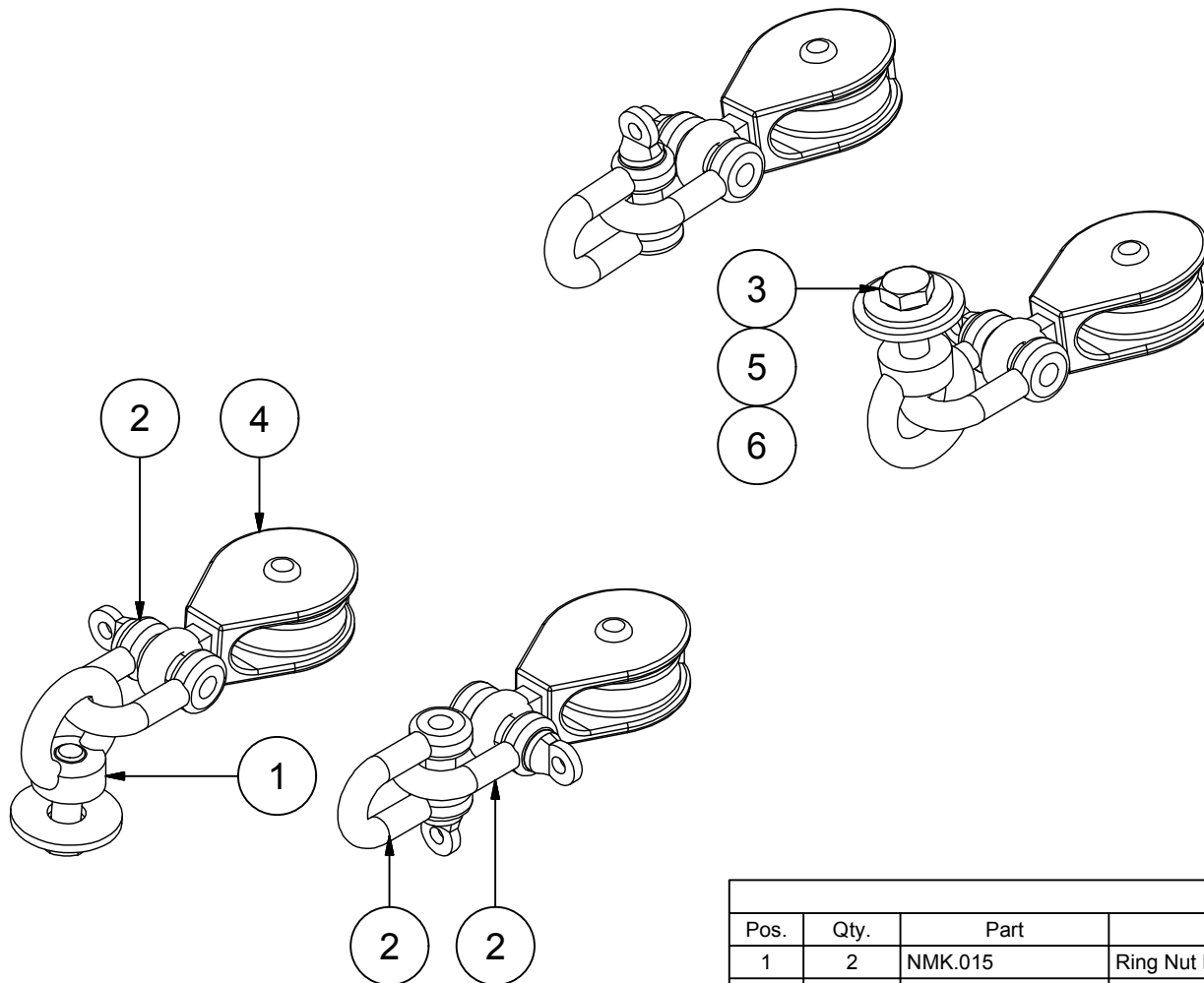
K  
TSM0052

© Vogelsang GmbH & Co. KG

**VOGELANG**

A

6 5 4 3 2 1



BOM			
Pos.	Qty.	Part	Description
1	2	NMK.015	Ring Nut M 8, DIN 582
2	6	NSC.032	Clevis Nominal Size 0,25-DIN 82101 A
3	2	NSK.019	Hexagon Head Bolt M 8 x 25 mm, DIN 933
4	4	NSR.018	Pulley Ø 36 mm
5	2	NUS.018	Washer A 8,4 mm x 24 mm x 2,0 mm
6	2	NUS.026	Washer A 10,5 mm x 30 mm x 2,5 mm

Assembly Kit  
Pulley

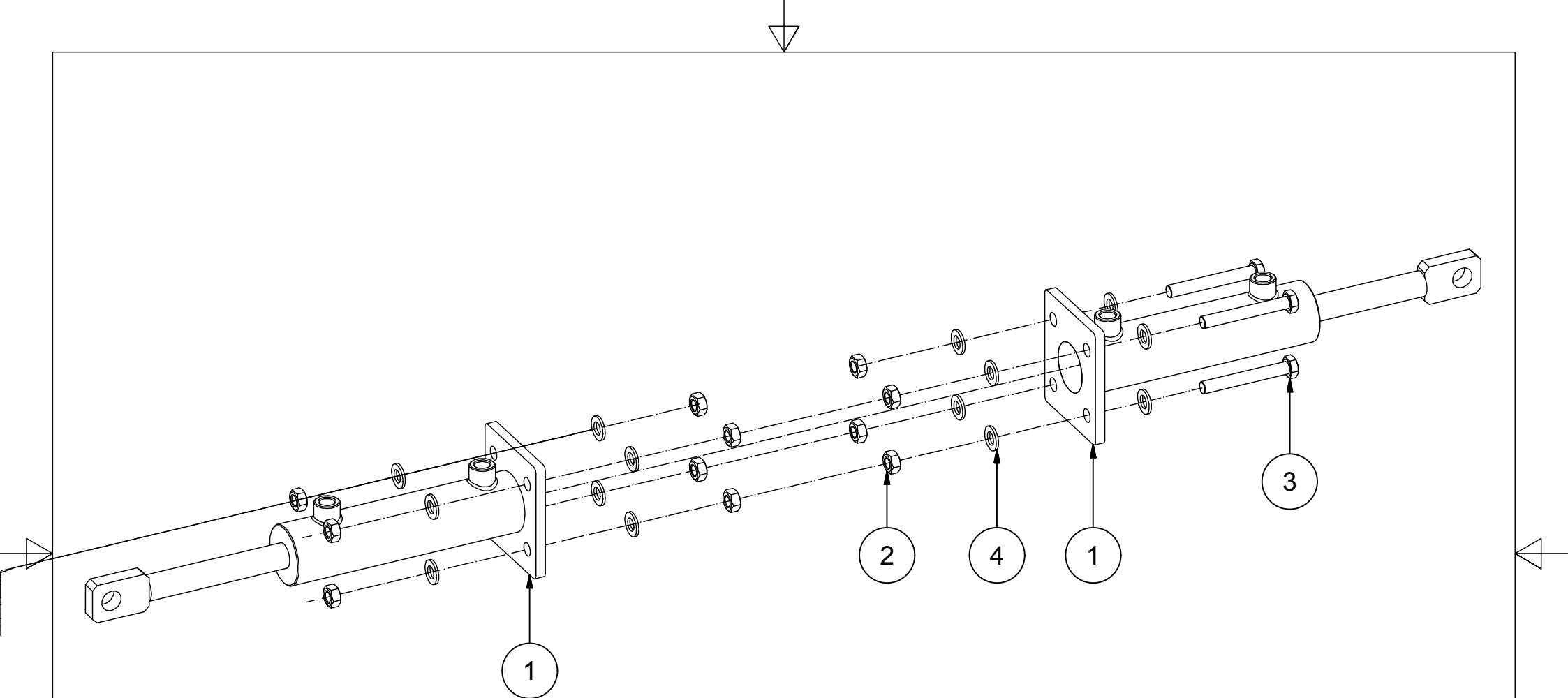
A

TSM130

**VOGELSANG**







BOM			
Pos.	Qty.	Part	Description
1	2	AHZ.045	Hydraulic Cylinder Ø 50 mm Ø 25 mm, 125 mm
2	12	NMS.004	Hexagon Nut M 12, DIN 934
3	4	NSK.133	Hexagon Head Bolt M 12 x 90 mm, DIN 933
4	16	NUS.005	Washer A 13,0 mm x 24 mm x 2,5 mm

Slope Compensation Cylinder  
 Ø 50 mm Ø 25 mm, 250 mm

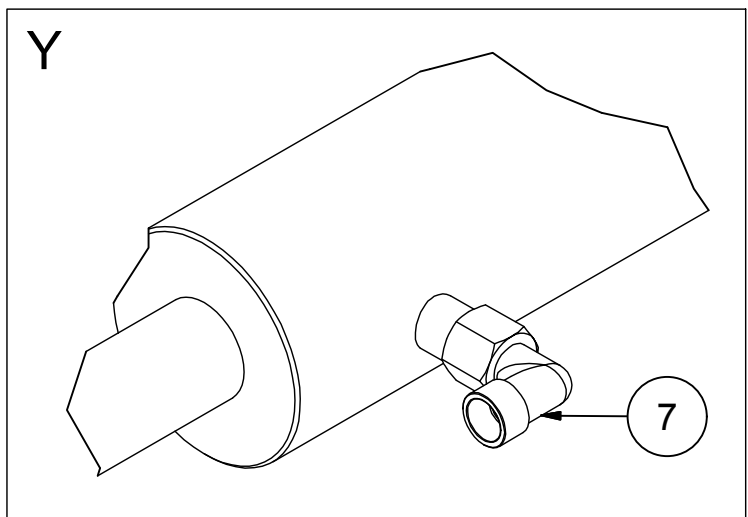
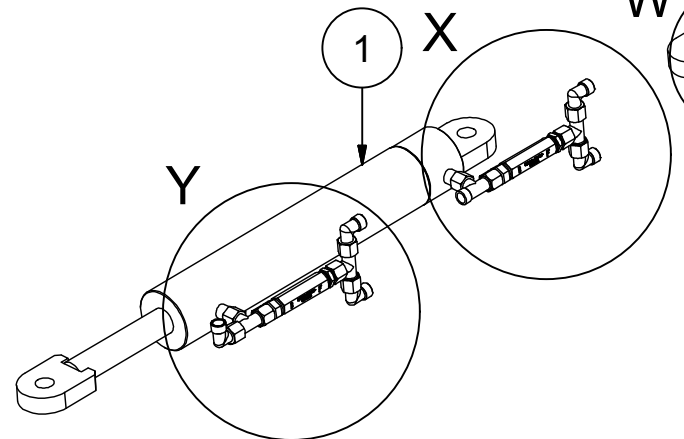
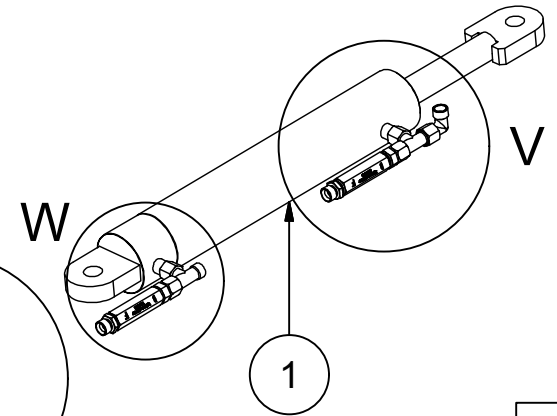
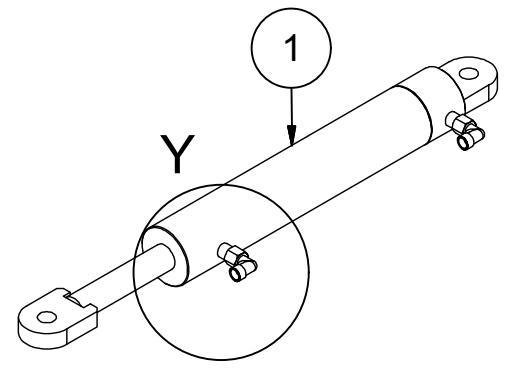
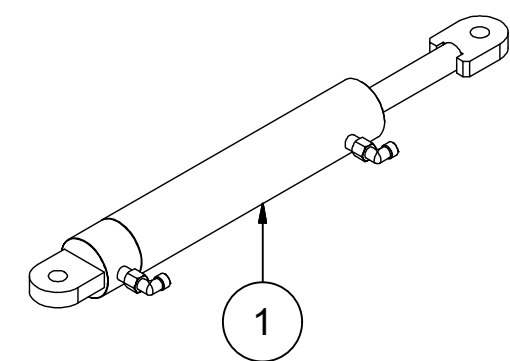
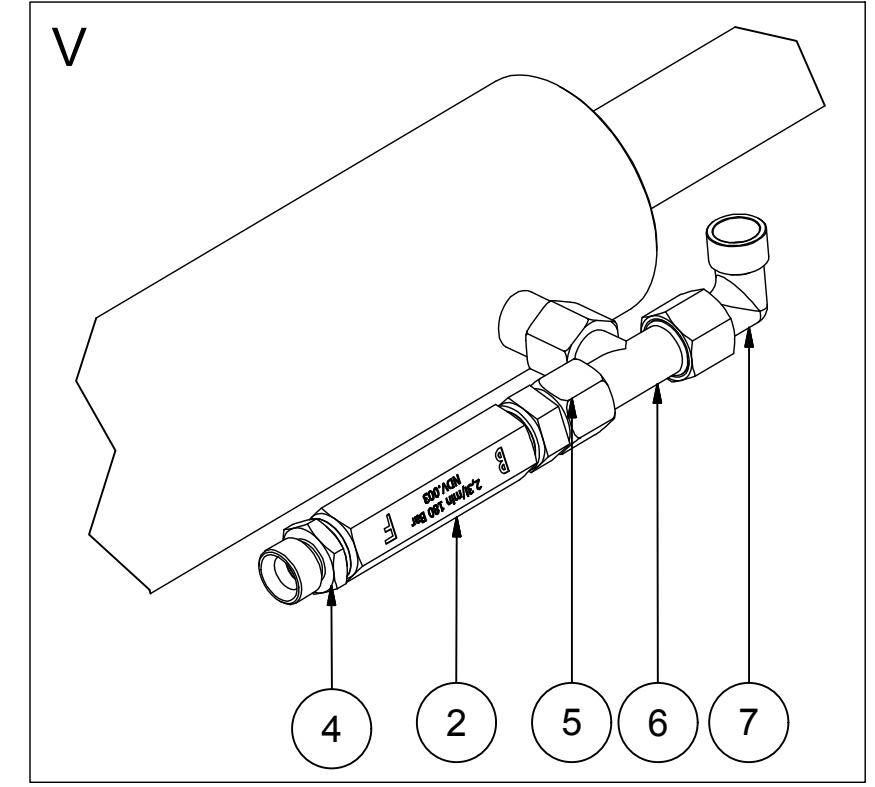
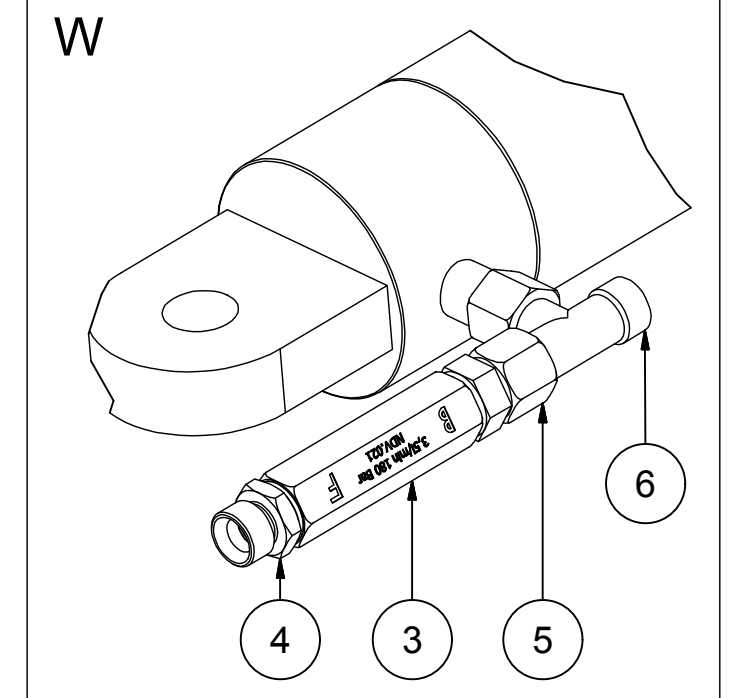
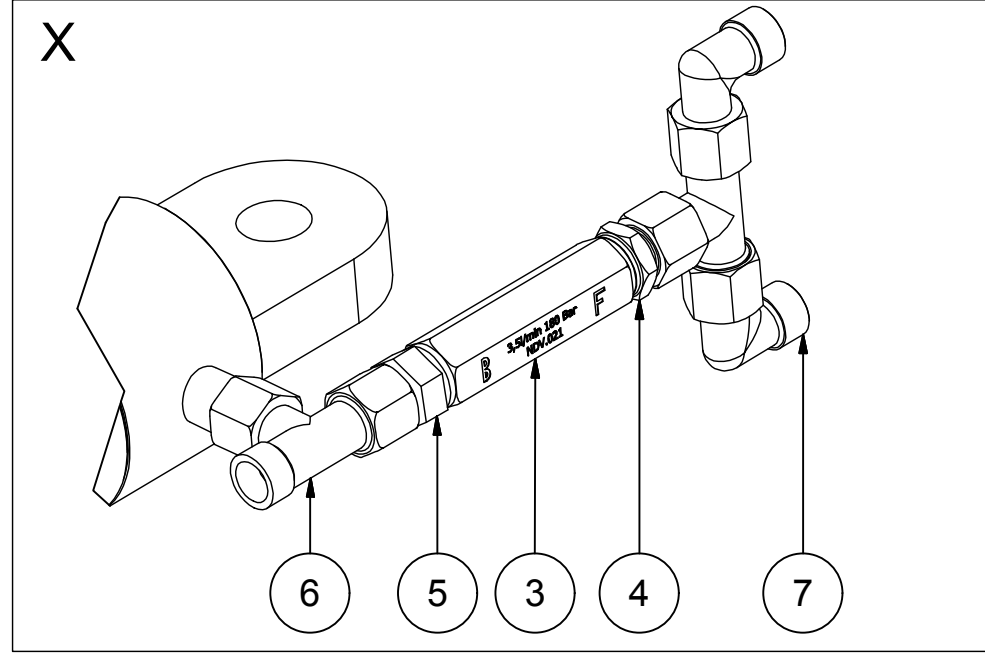
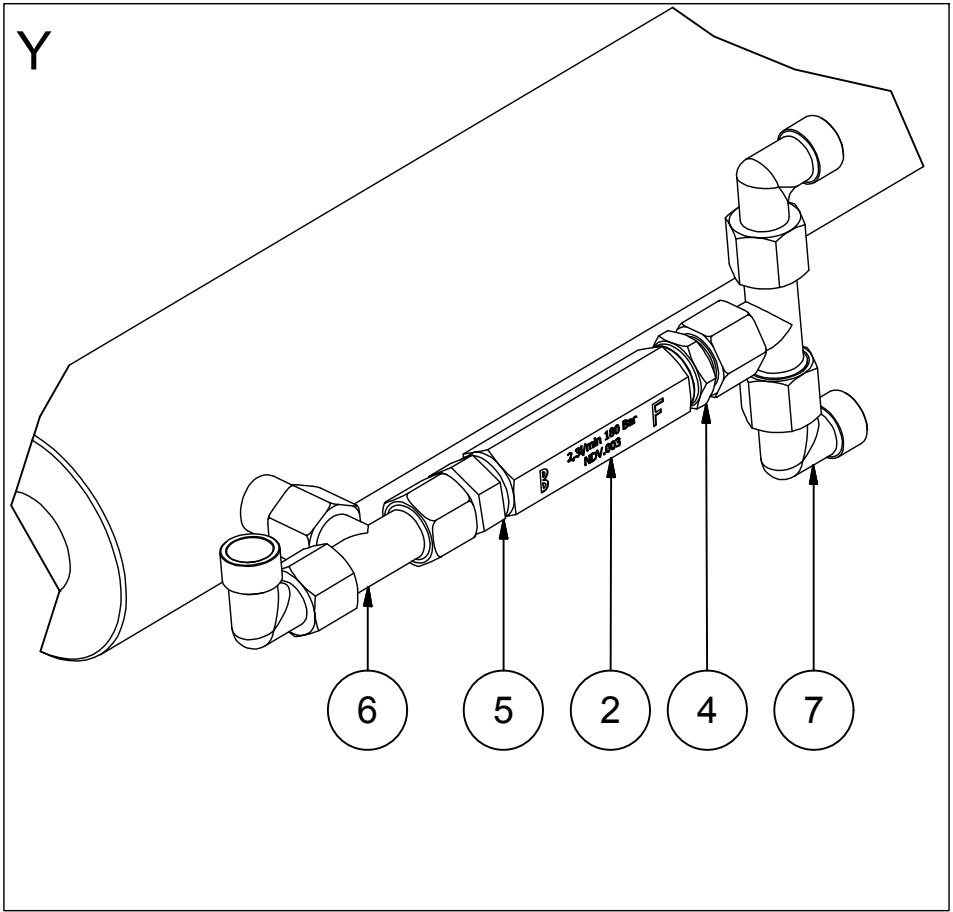
B

TSE092N2

**VOGELSANG**



6 5 4 3 2 1



B

B

A

A

6 5 4 3 2 1

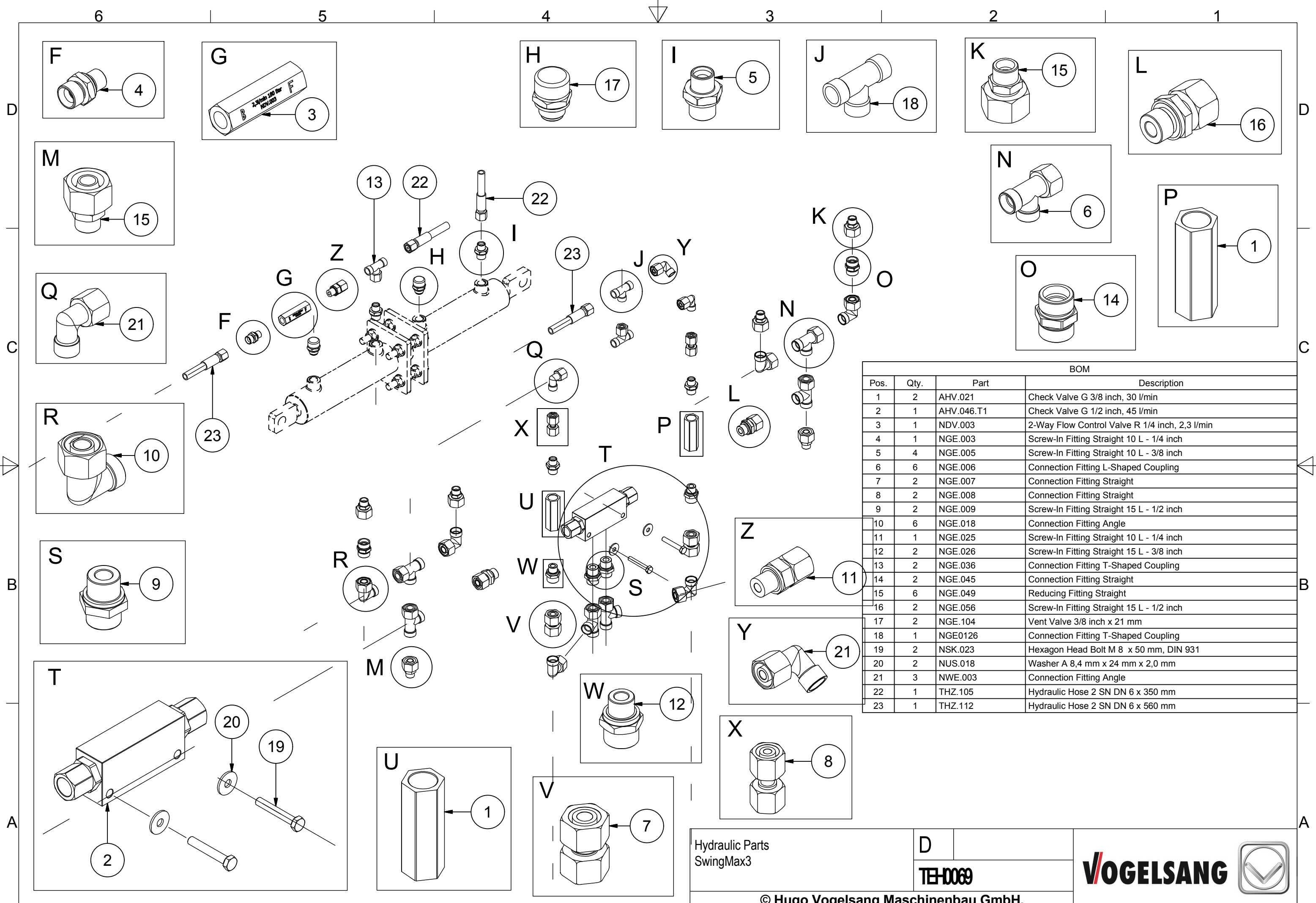
BOM			
Pos.	Qty.	Part	Description
1	4	AHZ.036.T4	Hydraulic Cylinder Ø 60 mm Ø 30 mm, 300 mm
2	2	NDV.003	2-Way Flow Control Valve R 1/4 inch, 2,3 l/min
3	2	NDV.021	2-Way Flow Control Valve R 1/4 inch, 3,5 l/min
4	4	NGE.003	Screw-In Fitting Straight 10 L - 1/4 inch
5	4	NGE.025	Screw-In Fitting Straight 10 L - 1/4 inch
6	6	NGE.036	Connection Fitting T-Shaped Coupling
7	10	NWE.003	Connection Fitting Angle

Hydraulic Parts SwingMax3  
Supporting Frame Four-Point


C  
TEH0041

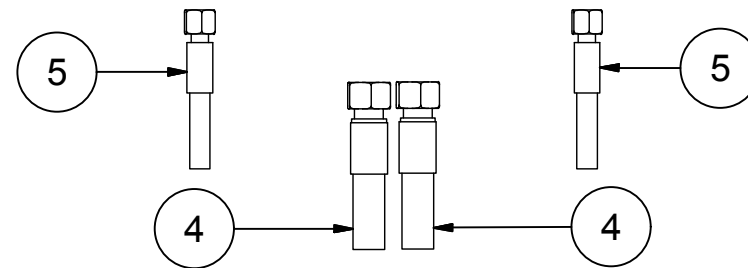
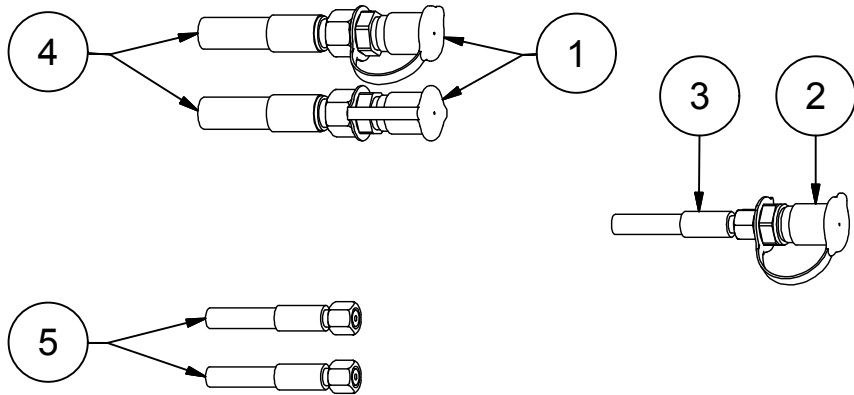


© Hugo Vogelsang Maschinenbau GmbH.



BOM			
Pos.	Qty.	Part	Description
1	2	AHV.021	Check Valve G 3/8 inch, 30 l/min
2	1	AHV.046.T1	Check Valve G 1/2 inch, 45 l/min
3	1	NDV.003	2-Way Flow Control Valve R 1/4 inch, 2,3 l/min
4	1	NGE.003	Screw-In Fitting Straight 10 L - 1/4 inch
5	4	NGE.005	Screw-In Fitting Straight 10 L - 3/8 inch
6	6	NGE.006	Connection Fitting L-Shaped Coupling
7	2	NGE.007	Connection Fitting Straight
8	2	NGE.008	Connection Fitting Straight
9	2	NGE.009	Screw-In Fitting Straight 15 L - 1/2 inch
10	6	NGE.018	Connection Fitting Angle
11	1	NGE.025	Screw-In Fitting Straight 10 L - 1/4 inch
12	2	NGE.026	Screw-In Fitting Straight 15 L - 3/8 inch
13	2	NGE.036	Connection Fitting T-Shaped Coupling
14	2	NGE.045	Connection Fitting Straight
15	6	NGE.049	Reducing Fitting Straight
16	2	NGE.056	Screw-In Fitting Straight 15 L - 1/2 inch
17	2	NGE.104	Vent Valve 3/8 inch x 21 mm
18	1	NGE0126	Connection Fitting T-Shaped Coupling
19	2	NSK.023	Hexagon Head Bolt M 8 x 50 mm, DIN 931
20	2	NUS.018	Washer A 8,4 mm x 24 mm x 2,0 mm
21	3	NWE.003	Connection Fitting Angle
22	1	THZ.105	Hydraulic Hose 2 SN DN 6 x 350 mm
23	1	THZ.112	Hydraulic Hose 2 SN DN 6 x 560 mm

Hydraulic Parts SwingMax3	D	
	TEH-0069	
© Hugo Vogelsang Maschinenbau GmbH.		



BOM			
Pos.	Qty.	Part	Description
1	2	SST.016	Plug Coupling Plug BGR 3
2	1	SST.021	Plug Coupling Plug BGR 3
3	1	THZ.013	Hydraulic Hose 2 SN DN 6 x 2300 mm
4	2	THZ.082	Hydraulic Hose 2 SN DN 12 x 2130 mm
5	2	THZ.131	Hydraulic Hose 2 SN DN 6 x 1100 mm

Hydraulic Line, Parts Kit  
SwingMax3

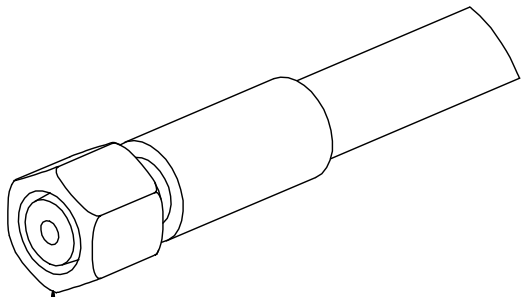
**B**

**TE-0045**

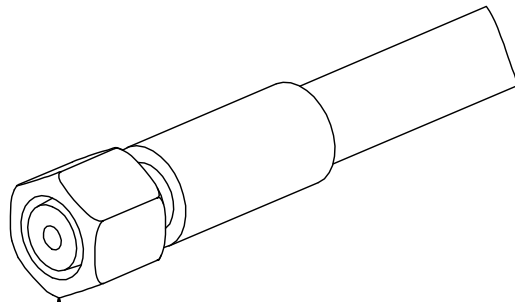
**VOGELSANG**



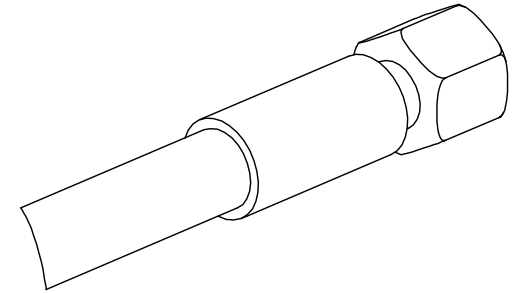
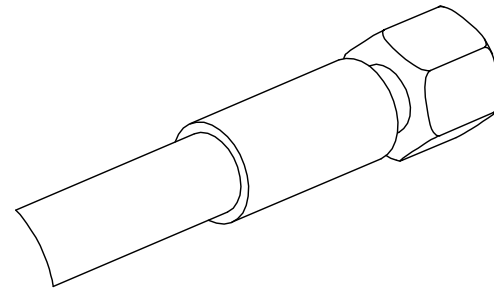
© Hugo Vogelsang Maschinenbau GmbH.



1



2



BOM			
Pos.	Qty.	Part	Description
1	1	THZ.040	Hydraulic Hose 2 SN DN 6 x 5200 mm
2	1	THZ.138	Hydraulic Hose 2 SN DN 6 x 5000 mm

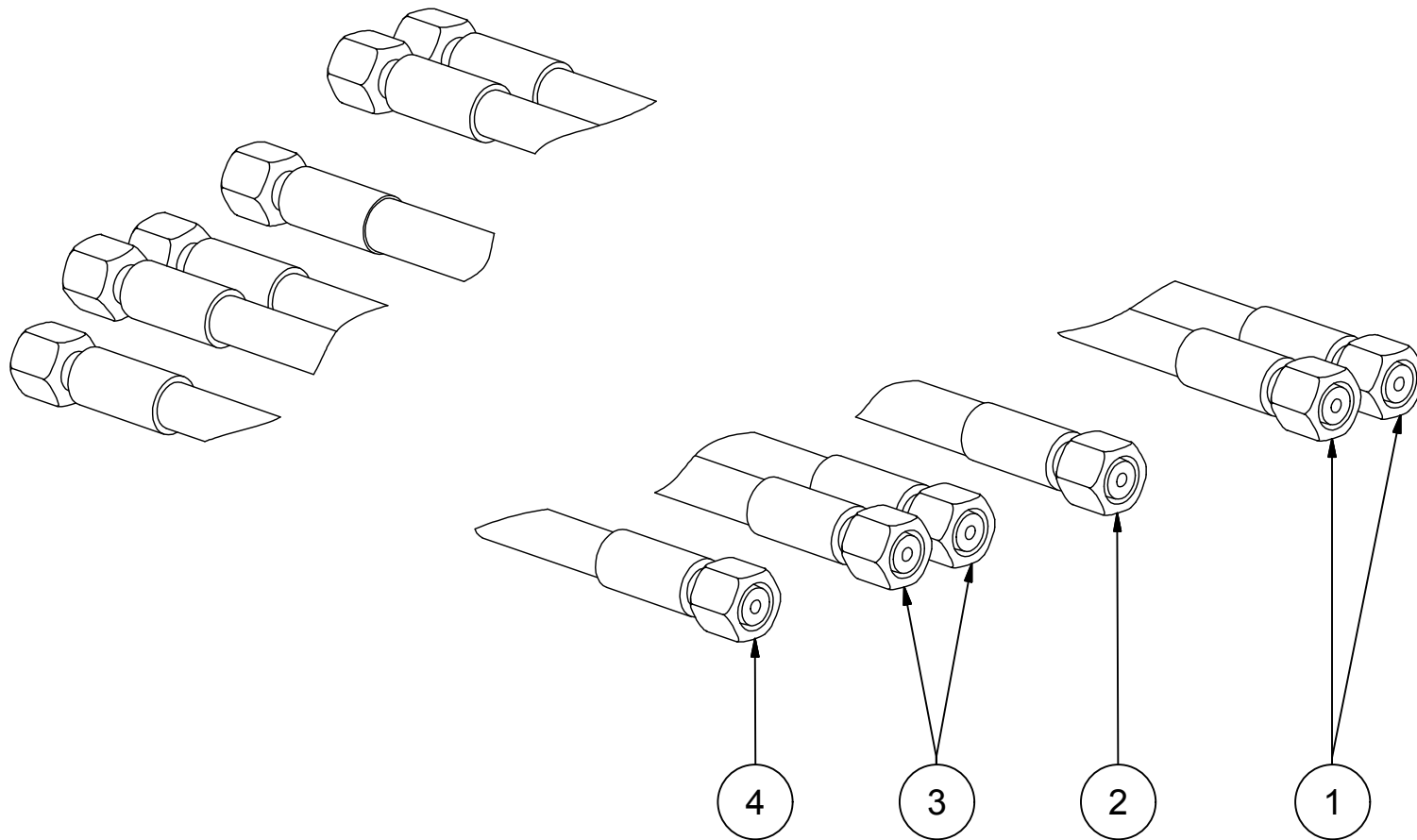
Hydraulic Line, Parts Kit  
SwingMax3

A

TE-0022

**VOGELSANG**





BOM			
Pos.	Qty.	Part	Description
1	2	THZ.013	Hydraulic Hose 2 SN DN 6 x 2300 mm
2	1	THZ.019	Hydraulic Hose 2 SN DN 6 x 1800 mm
3	2	THZ.115	Hydraulic Hose 2 SN DN 6 x 1700 mm
4	1	THZ.131	Hydraulic Hose 2 SN DN 6 x 1100 mm

Hydraulic Line, Parts Kit  
 SwingMax3 Supporting Frame /

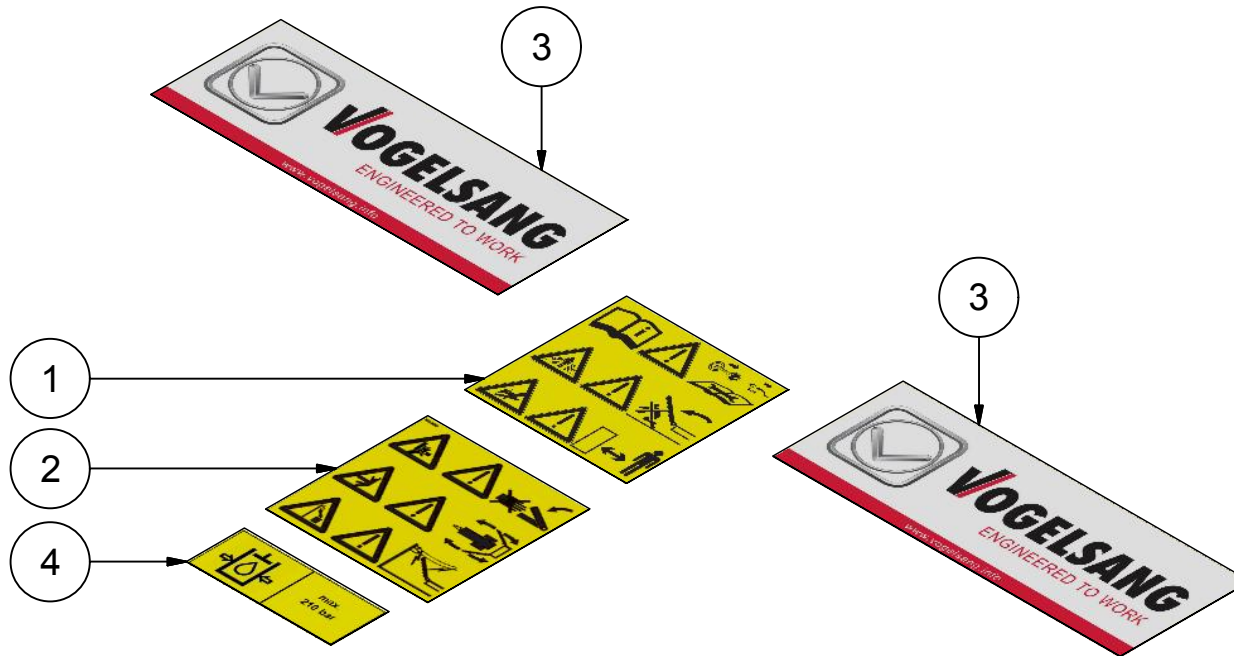
**B**

**TE-0034**


**VOGELSANG**

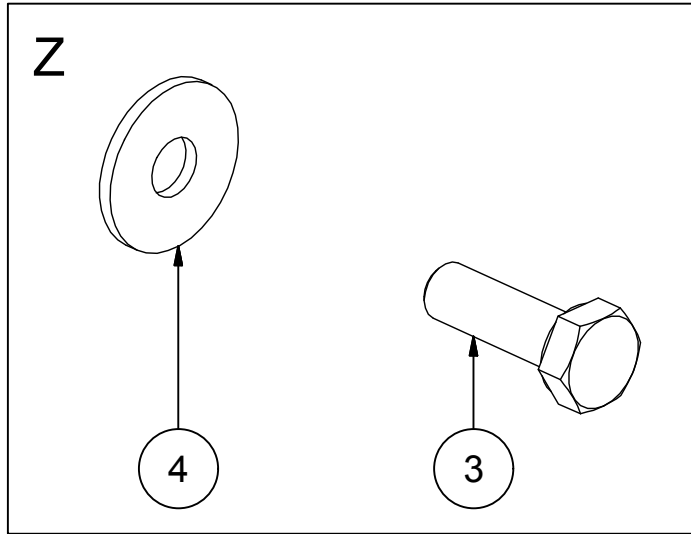
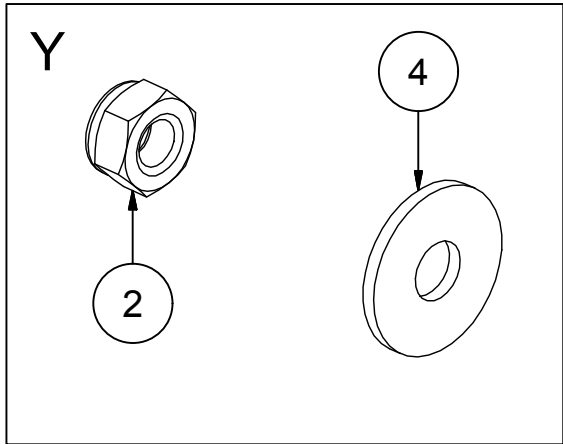
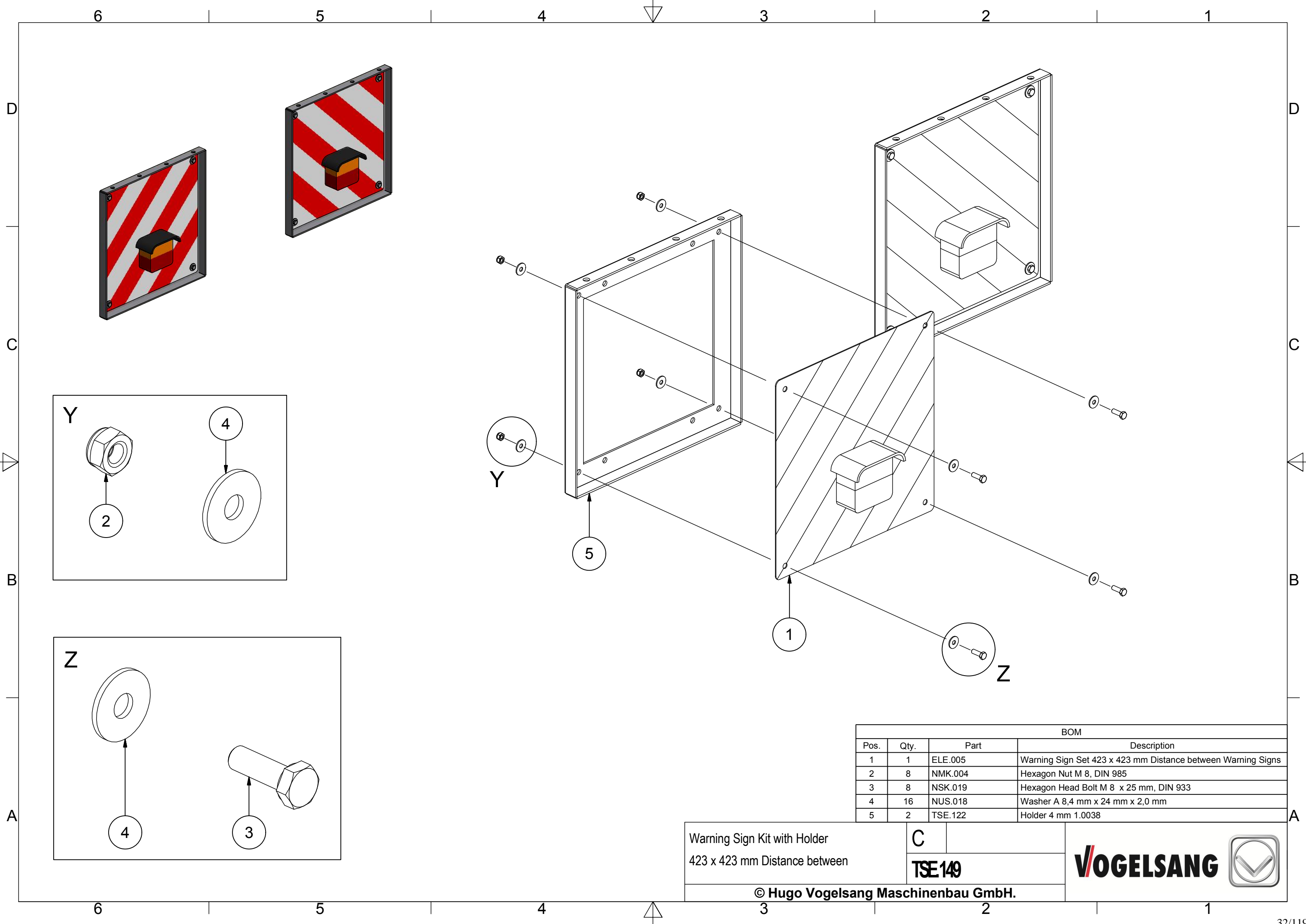


© Hugo Vogelsang Maschinenbau GmbH.



BOM			
Pos.	Qty.	Part	Description
1	1	VAU0002	Label Operating Instructions / Crushing Hazard / Clearance
2	1	VAU0042	Label Crushing Hazard/ Danger of Electric Shock 112 mm x 112
3	2	VAU0045	Label Vogelsang Logo
4	1	VAU0071.00	Label Maximum Admissible Hydraulic Pressure 210 bar

Parts Kit, Stickers , SwingMax,	C	
	<b>TSZ0103</b>	
© Hugo Vogelsang Maschinenbau GmbH.		



BOM			
Pos.	Qty.	Part	Description
1	1	ELE.005	Warning Sign Set 423 x 423 mm Distance between Warning Signs
2	8	NMK.004	Hexagon Nut M 8, DIN 985
3	8	NSK.019	Hexagon Head Bolt M 8 x 25 mm, DIN 933
4	16	NUS.018	Washer A 8,4 mm x 24 mm x 2,0 mm
5	2	TSE.122	Holder 4 mm 1.0038

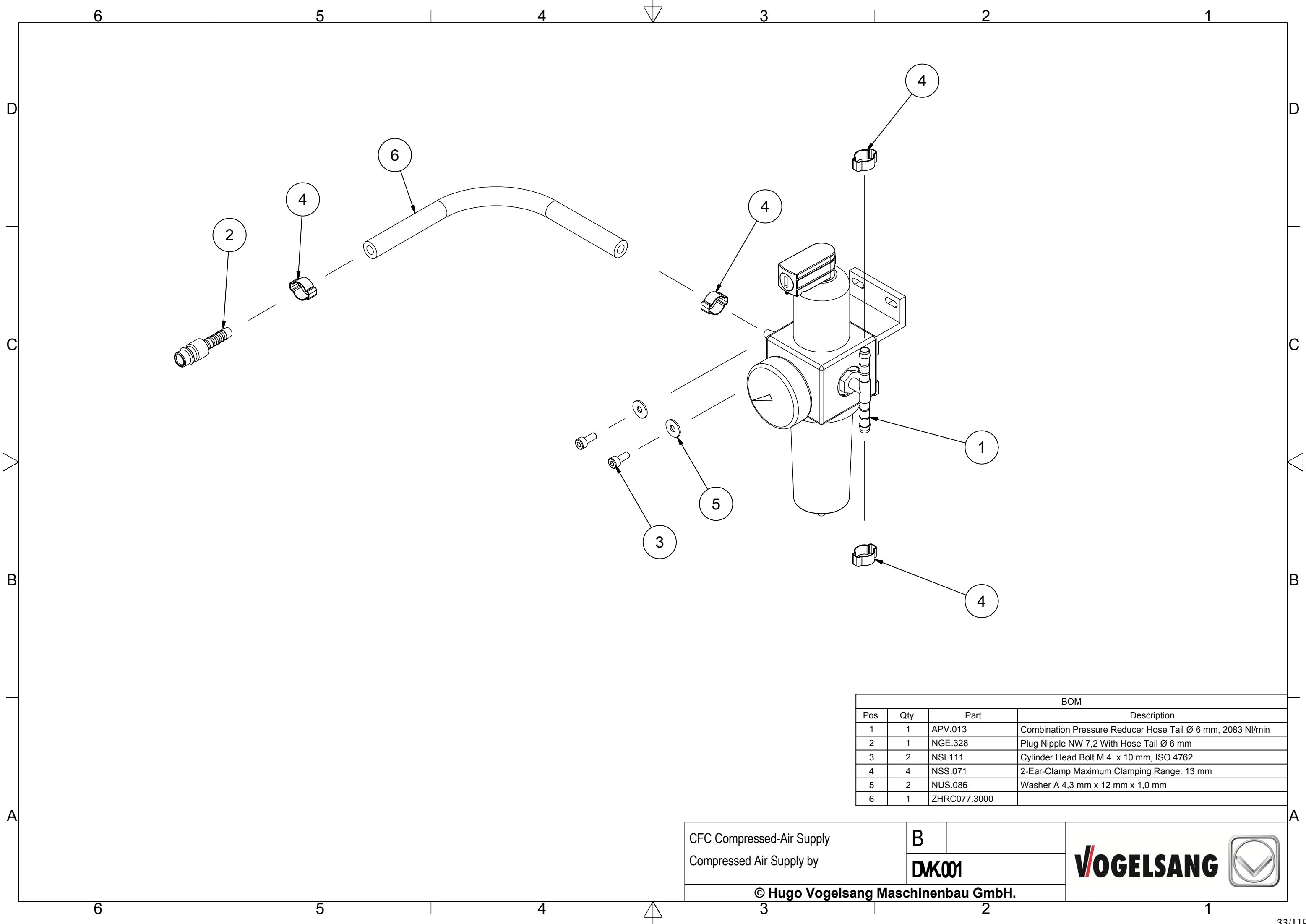
Warning Sign Kit with Holder  
423 x 423 mm Distance between

**TSE149**

**VOGELANG**

© Hugo Vogelsang Maschinenbau GmbH.





BOM			
Pos.	Qty.	Part	Description
1	1	APV.013	Combination Pressure Reducer Hose Tail Ø 6 mm, 2083 NI/min
2	1	NGE.328	Plug Nipple NW 7,2 With Hose Tail Ø 6 mm
3	2	NSI.111	Cylinder Head Bolt M 4 x 10 mm, ISO 4762
4	4	NSS.071	2-Ear-Clamp Maximum Clamping Range: 13 mm
5	2	NUS.086	Washer A 4,3 mm x 12 mm x 1,0 mm
6	1	ZHRC077.3000	

CFC Compressed-Air Supply  
Compressed Air Supply by

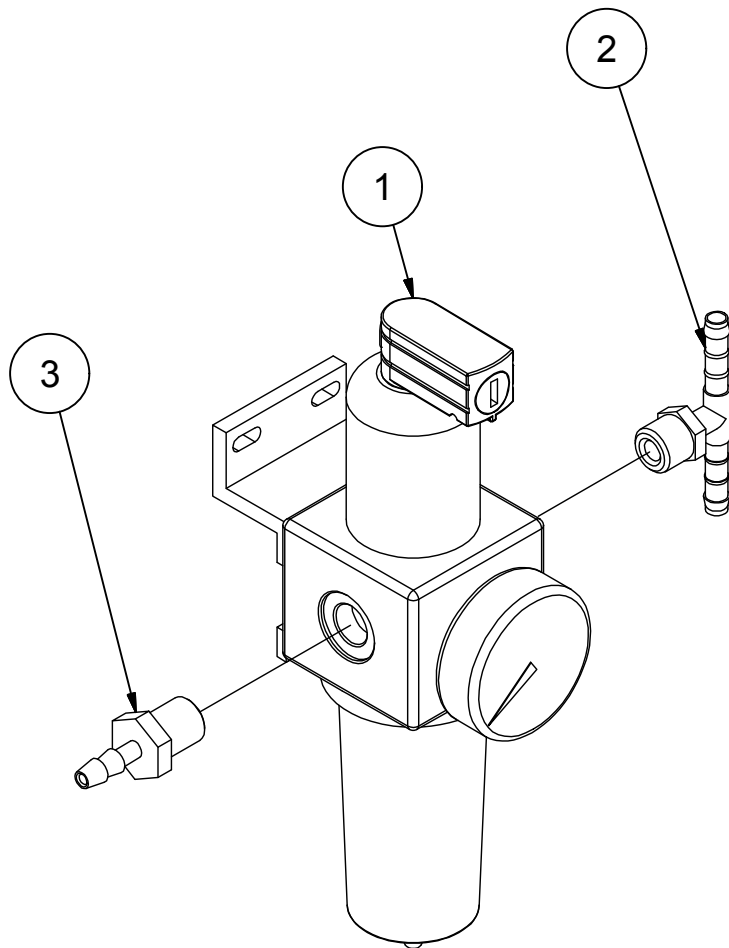
B

DKK001

**VOGELANG**



© Hugo Vogelsang Maschinenbau GmbH.



BOM			
Pos.	Qty.	Part	Description
1	1	APV0069	Combination Pressure Reducer FT 1/4 inch, 2083 NI/min
2	1	NGE.323	T-Shaped Hose Tail MT 1/4 inch x Ø 6 mm
3	1	NGE.327	Hose Tail MT 1/4 inch x Ø 6 mm

Combination Pressure Reducer  
Hose Tail Ø 6 mm, 2083 NI/min

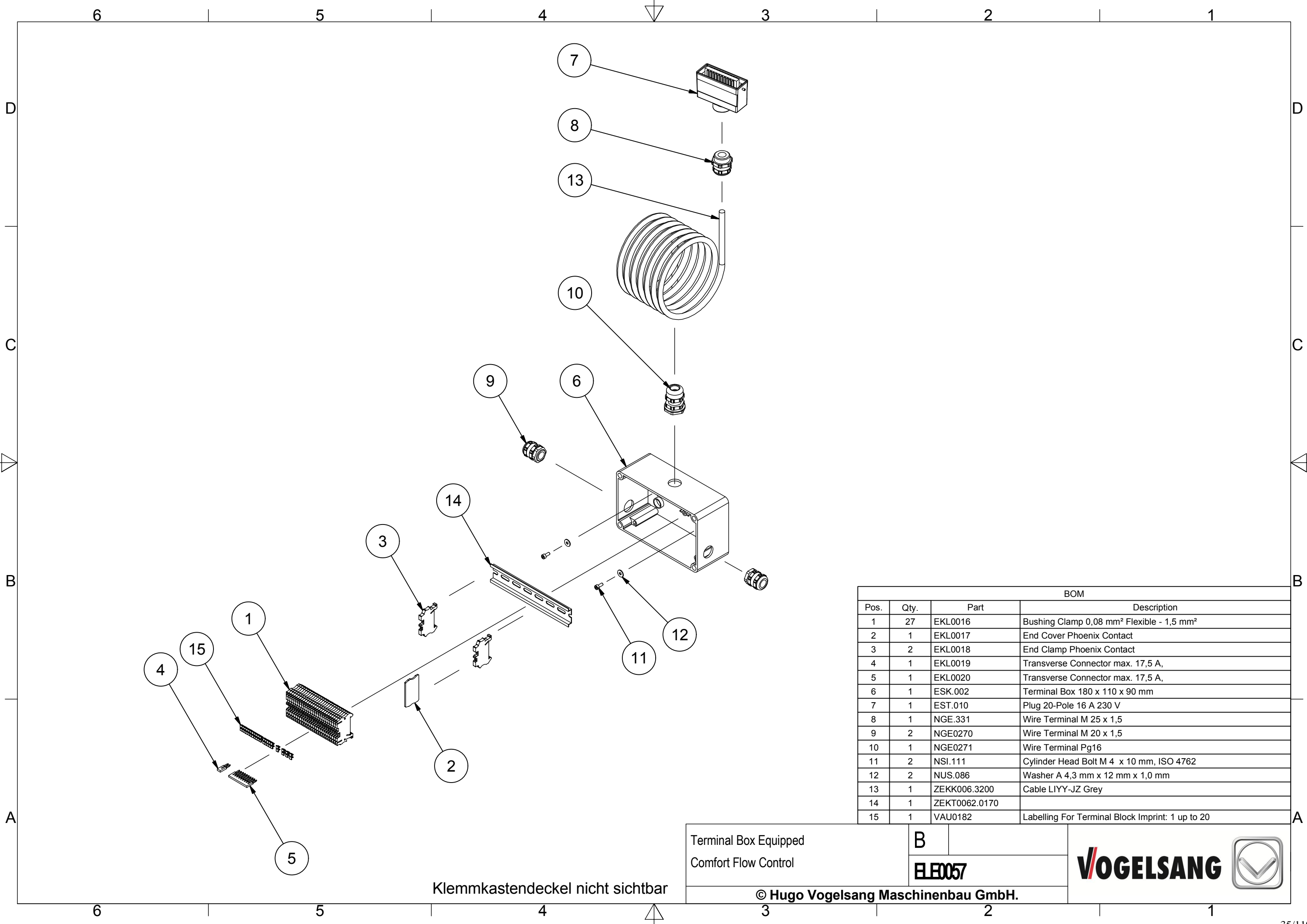
A

**APV.013**

© Hugo Vogelsang Maschinenbau GmbH.

**VOGELSANG**





BOM			
Pos.	Qty.	Part	Description
1	27	EKL0016	Bushing Clamp 0,08 mm² Flexible - 1,5 mm²
2	1	EKL0017	End Cover Phoenix Contact
3	2	EKL0018	End Clamp Phoenix Contact
4	1	EKL0019	Transverse Connector max. 17,5 A,
5	1	EKL0020	Transverse Connector max. 17,5 A,
6	1	ESK.002	Terminal Box 180 x 110 x 90 mm
7	1	EST.010	Plug 20-Pole 16 A 230 V
8	1	NGE.331	Wire Terminal M 25 x 1,5
9	2	NGE0270	Wire Terminal M 20 x 1,5
10	1	NGE0271	Wire Terminal Pg16
11	2	NSI.111	Cylinder Head Bolt M 4 x 10 mm, ISO 4762
12	2	NUS.086	Washer A 4,3 mm x 12 mm x 1,0 mm
13	1	ZEKK006.3200	Cable LIYY-JZ Grey
14	1	ZEKT0062.0170	
15	1	VAU0182	Labelling For Terminal Block Imprint: 1 up to 20

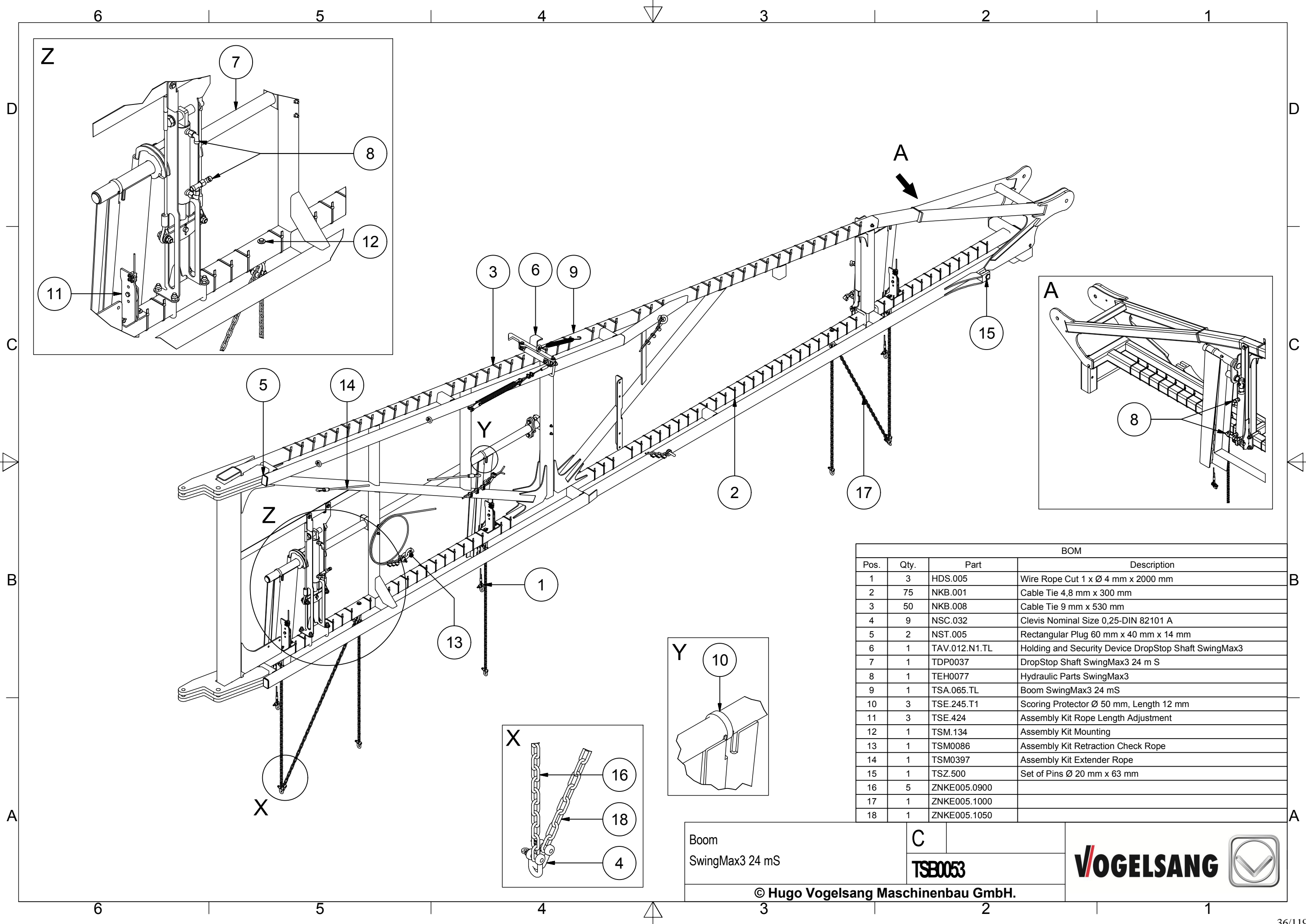
Terminal Box Equipped  
Comfort Flow Control

**B**  
**ELE0057**

**VOGELANG**

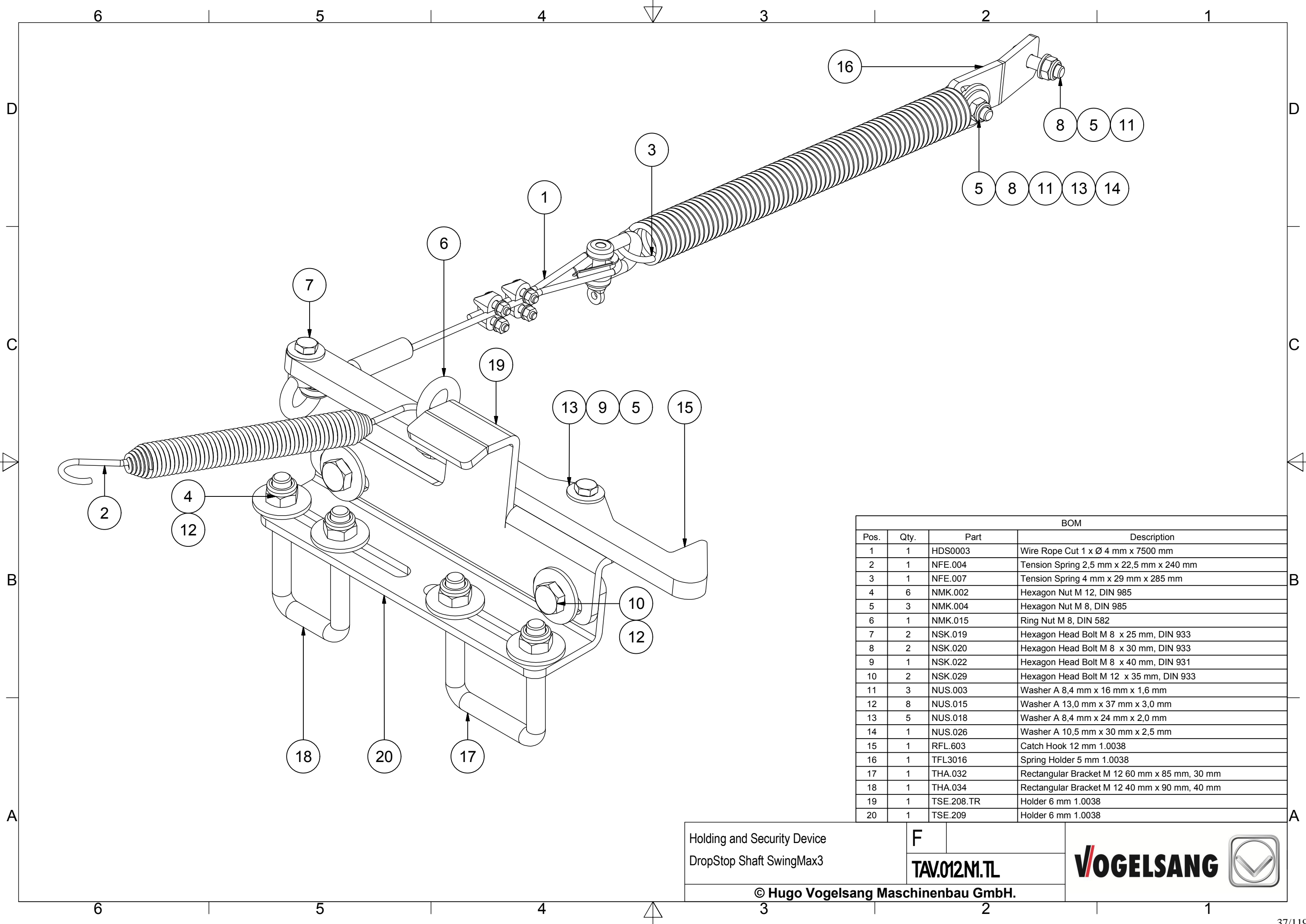
© Hugo Vogelsang Maschinenbau GmbH.

Klemmkastendeckel nicht sichtbar



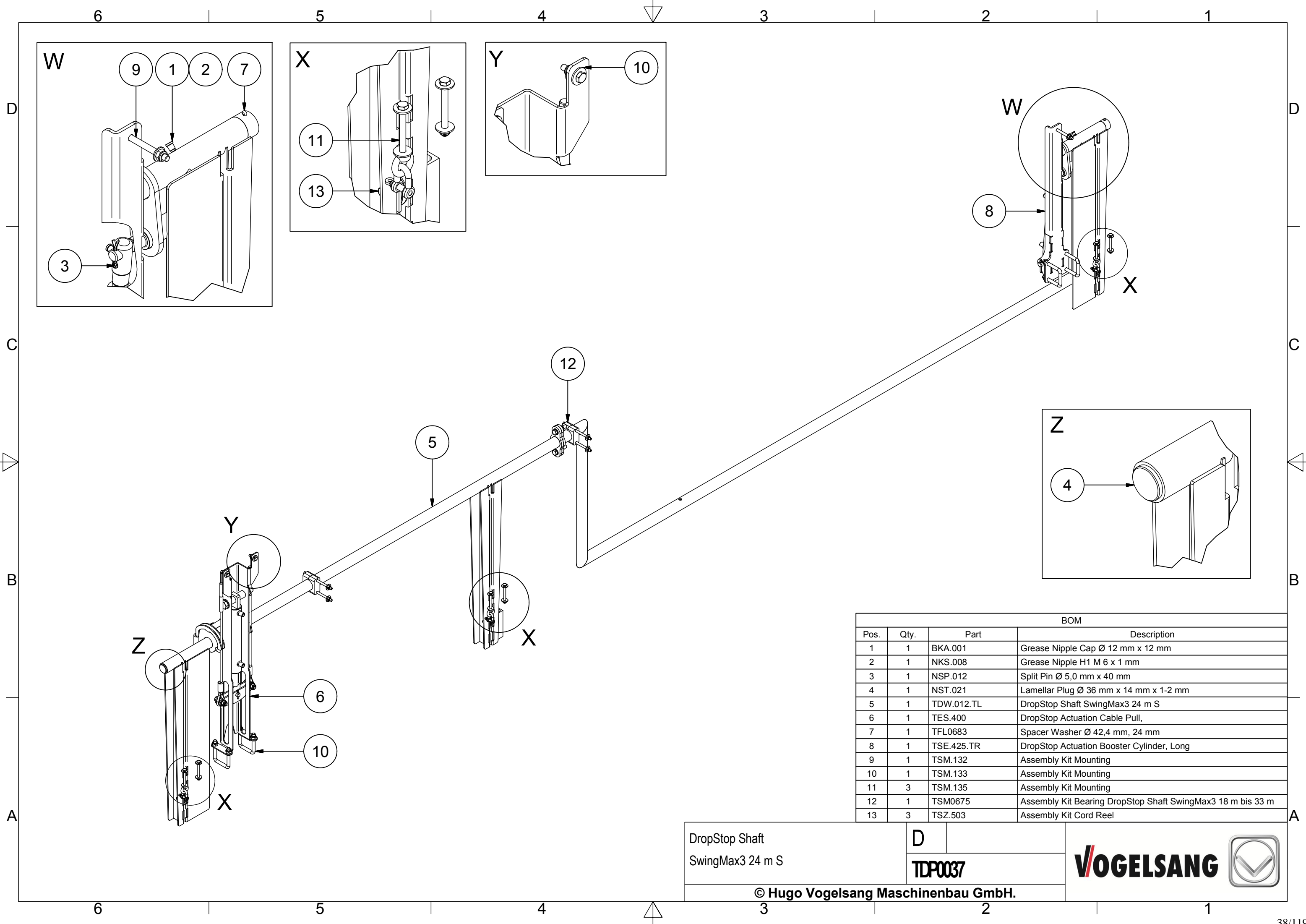
BOM			
Pos.	Qty.	Part	Description
1	3	HDS.005	Wire Rope Cut 1 x Ø 4 mm x 2000 mm
2	75	NKB.001	Cable Tie 4,8 mm x 300 mm
3	50	NKB.008	Cable Tie 9 mm x 530 mm
4	9	NSC.032	Clevis Nominal Size 0,25-DIN 82101 A
5	2	NST.005	Rectangular Plug 60 mm x 40 mm x 14 mm
6	1	TAV.012.N1.TL	Holding and Security Device DropStop Shaft SwingMax3
7	1	TDP0037	DropStop Shaft SwingMax3 24 m S
8	1	TEH0077	Hydraulic Parts SwingMax3
9	1	TSA.065.TL	Boom SwingMax3 24 mS
10	3	TSE.245.T1	Scoring Protector Ø 50 mm, Length 12 mm
11	3	TSE.424	Assembly Kit Rope Length Adjustment
12	1	TSM.134	Assembly Kit Mounting
13	1	TSM0086	Assembly Kit Retraction Check Rope
14	1	TSM0397	Assembly Kit Extender Rope
15	1	TSZ.500	Set of Pins Ø 20 mm x 63 mm
16	5	ZNKE005.0900	
17	1	ZNKE005.1000	
18	1	ZNKE005.1050	

Boom	C	
SwingMax3 24 mS		
© Hugo Vogelsang Maschinenbau GmbH.		



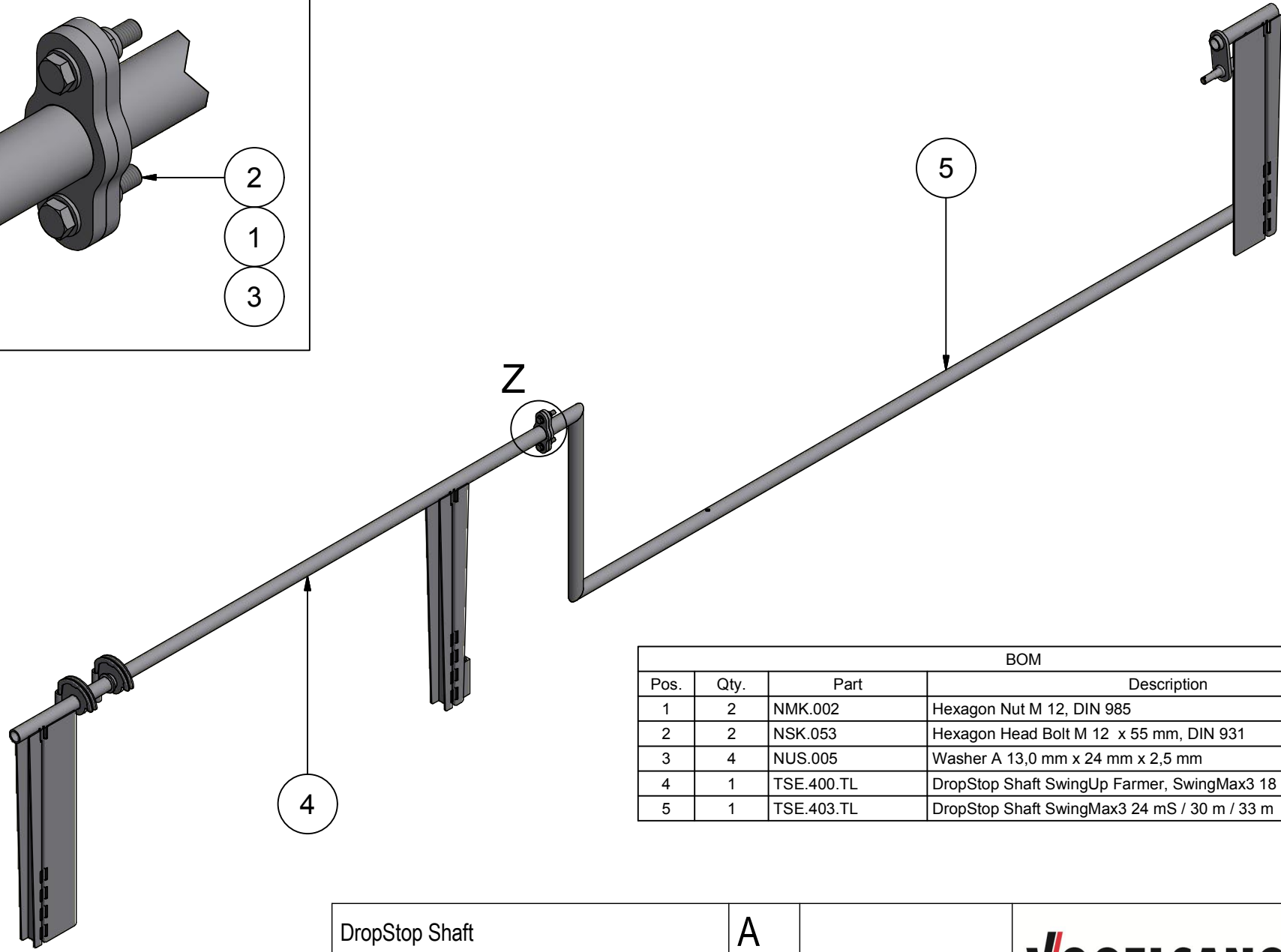
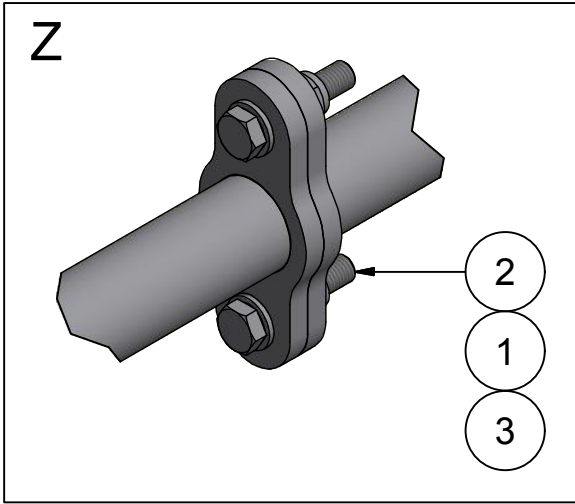
BOM			
Pos.	Qty.	Part	Description
1	1	HDS0003	Wire Rope Cut 1 x Ø 4 mm x 7500 mm
2	1	NFE.004	Tension Spring 2,5 mm x 22,5 mm x 240 mm
3	1	NFE.007	Tension Spring 4 mm x 29 mm x 285 mm
4	6	NMK.002	Hexagon Nut M 12, DIN 985
5	3	NMK.004	Hexagon Nut M 8, DIN 985
6	1	NMK.015	Ring Nut M 8, DIN 582
7	2	NSK.019	Hexagon Head Bolt M 8 x 25 mm, DIN 933
8	2	NSK.020	Hexagon Head Bolt M 8 x 30 mm, DIN 933
9	1	NSK.022	Hexagon Head Bolt M 8 x 40 mm, DIN 931
10	2	NSK.029	Hexagon Head Bolt M 12 x 35 mm, DIN 933
11	3	NUS.003	Washer A 8,4 mm x 16 mm x 1,6 mm
12	8	NUS.015	Washer A 13,0 mm x 37 mm x 3,0 mm
13	5	NUS.018	Washer A 8,4 mm x 24 mm x 2,0 mm
14	1	NUS.026	Washer A 10,5 mm x 30 mm x 2,5 mm
15	1	RFL.603	Catch Hook 12 mm 1.0038
16	1	TFL3016	Spring Holder 5 mm 1.0038
17	1	THA.032	Rectangular Bracket M 12 60 mm x 85 mm, 30 mm
18	1	THA.034	Rectangular Bracket M 12 40 mm x 90 mm, 40 mm
19	1	TSE.208.TR	Holder 6 mm 1.0038
20	1	TSE.209	Holder 6 mm 1.0038

Holding and Security Device DropStop Shaft SwingMax3	F	
	TAV.012N1.TL	
© Hugo Vogelsang Maschinenbau GmbH.		



BOM			
Pos.	Qty.	Part	Description
1	1	BKA.001	Grease Nipple Cap Ø 12 mm x 12 mm
2	1	NKS.008	Grease Nipple H1 M 6 x 1 mm
3	1	NSP.012	Split Pin Ø 5,0 mm x 40 mm
4	1	NST.021	Lamellar Plug Ø 36 mm x 14 mm x 1-2 mm
5	1	TDW.012.TL	DropStop Shaft SwingMax3 24 m S
6	1	TES.400	DropStop Actuation Cable Pull,
7	1	TFL0683	Spacer Washer Ø 42,4 mm, 24 mm
8	1	TSE.425.TR	DropStop Actuation Booster Cylinder, Long
9	1	TSM.132	Assembly Kit Mounting
10	1	TSM.133	Assembly Kit Mounting
11	3	TSM.135	Assembly Kit Mounting
12	1	TSM0675	Assembly Kit Bearing DropStop Shaft SwingMax3 18 m bis 33 m
13	3	TSZ.503	Assembly Kit Cord Reel

DropStop Shaft SwingMax3 24 m S	D	
	TDP0037	
© Hugo Vogelsang Maschinenbau GmbH.		



BOM			
Pos.	Qty.	Part	Description
1	2	NMK.002	Hexagon Nut M 12, DIN 985
2	2	NSK.053	Hexagon Head Bolt M 12 x 55 mm, DIN 931
3	4	NUS.005	Washer A 13,0 mm x 24 mm x 2,5 mm
4	1	TSE.400.TL	DropStop Shaft SwingUp Farmer, SwingMax3 18 m / 21 m / 24 mS
5	1	TSE.403.TL	DropStop Shaft SwingMax3 24 mS / 30 m / 33 m

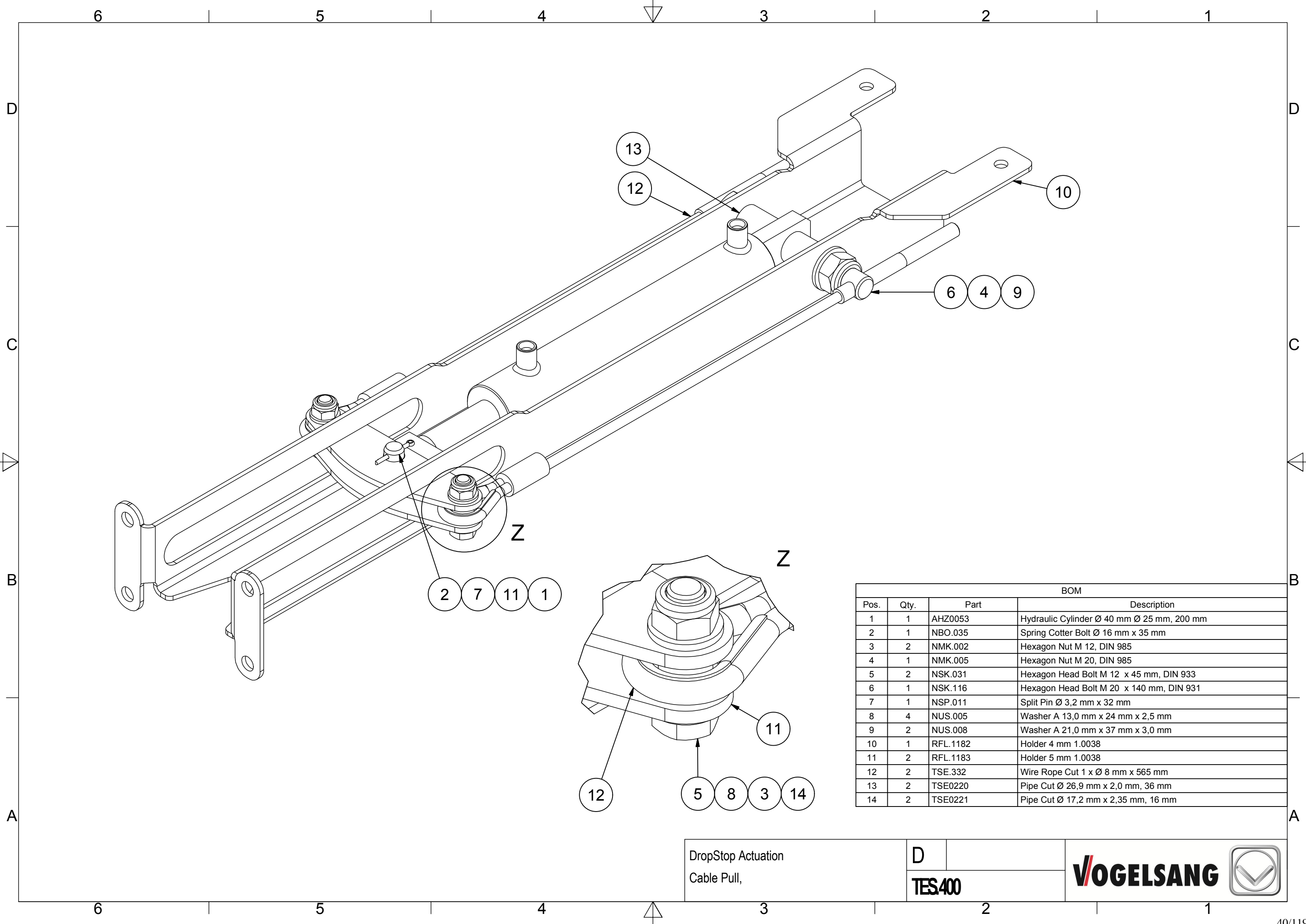
DropStop Shaft  
SwingMax3 24 m S

A

TDW012TL

**VOGELSANG**





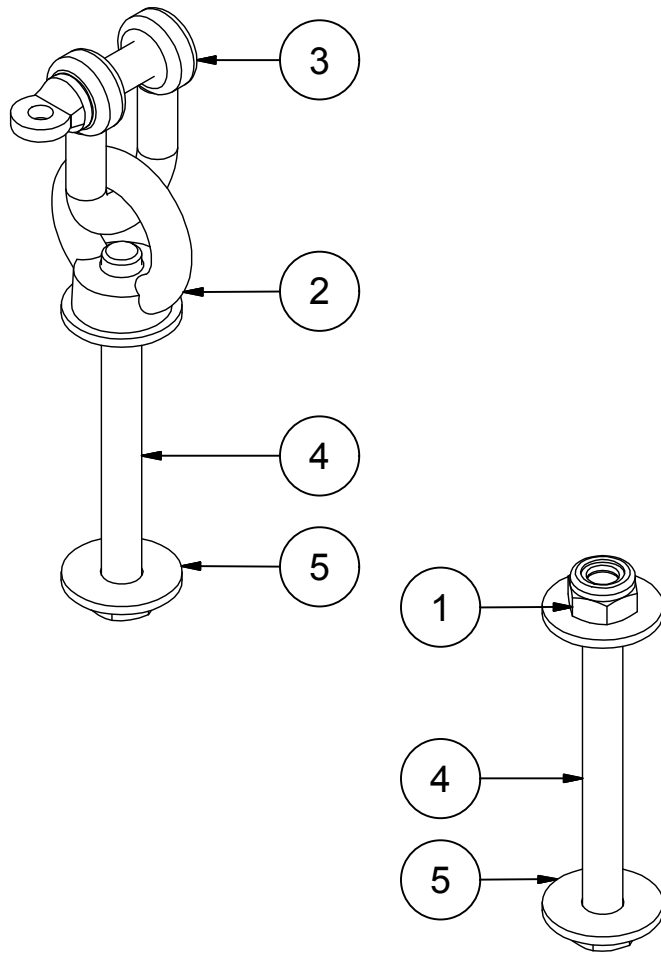
BOM			
Pos.	Qty.	Part	Description
1	1	AHZ0053	Hydraulic Cylinder Ø 40 mm Ø 25 mm, 200 mm
2	1	NBO.035	Spring Cotter Bolt Ø 16 mm x 35 mm
3	2	NMK.002	Hexagon Nut M 12, DIN 985
4	1	NMK.005	Hexagon Nut M 20, DIN 985
5	2	NSK.031	Hexagon Head Bolt M 12 x 45 mm, DIN 933
6	1	NSK.116	Hexagon Head Bolt M 20 x 140 mm, DIN 931
7	1	NSP.011	Split Pin Ø 3,2 mm x 32 mm
8	4	NUS.005	Washer A 13,0 mm x 24 mm x 2,5 mm
9	2	NUS.008	Washer A 21,0 mm x 37 mm x 3,0 mm
10	1	RFL.1182	Holder 4 mm 1.0038
11	2	RFL.1183	Holder 5 mm 1.0038
12	2	TSE.332	Wire Rope Cut 1 x Ø 8 mm x 565 mm
13	2	TSE0220	Pipe Cut Ø 26,9 mm x 2,0 mm, 36 mm
14	2	TSE0221	Pipe Cut Ø 17,2 mm x 2,35 mm, 16 mm

DropStop Actuation  
Cable Pull,

D  
TES400







BOM			
Pos.	Qty.	Part	Description
1	1	NMK.004	Hexagon Nut M 8, DIN 985
2	1	NMK.015	Ring Nut M 8, DIN 582
3	1	NSC.032	Clevis Nominal Size 0,25-DIN 82101 A
4	2	NSK.062	Hexagon Head Bolt M 8 x 80 mm, DIN 931
5	4	NUS.018	Washer A 8,4 mm x 24 mm x 2,0 mm

Assembly Kit  
Mounting

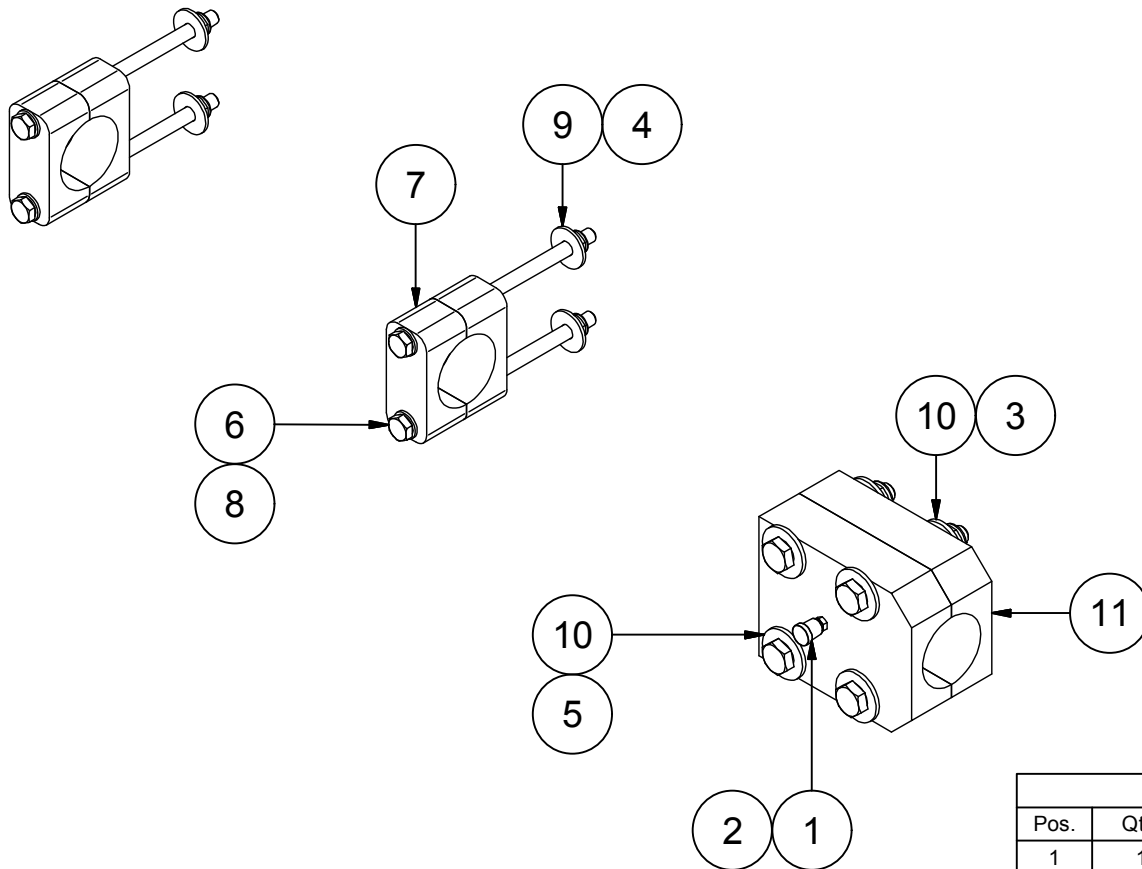
B

TSM135

**VOGELSANG**



© Vogelsang GmbH & Co. KG



BOM			
Pos.	Qty.	Part	Description
1	1	BKA.001	Grease Nipple Cap Ø 12 mm x 12 mm
2	1	NKS.008	Grease Nipple H1 M 6 x 1 mm
3	4	NMK.001	Hexagon Nut M 10, DIN 985
4	4	NMK.004	Hexagon Nut M 8, DIN 985
5	4	NSK.010	Hexagon Head Bolt M 10 x 80 mm, DIN 931
6	4	NSK.096	Hexagon Head Bolt M 8 x 140 mm, DIN 931
7	4	NSS0075	Clamp Maximum Clamping Range: 43 mm
8	4	NUS.003	Washer A 8,4 mm x 16 mm x 1,6 mm
9	4	NUS.018	Washer A 8,4 mm x 24 mm x 2,0 mm
10	8	NUS.026	Washer A 10,5 mm x 30 mm x 2,5 mm
11	2	TLA.005	Milled Part, Plastics Half Bearing

Assembly Kit Bearing DropStop  
 Shaft SwingMax3 18 m bis 33 m

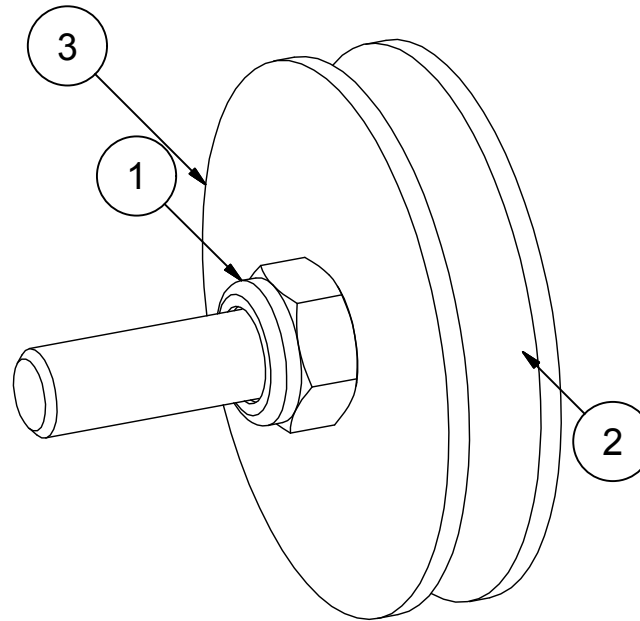
A

TSM0675

© Hugo Vogelsang Maschinenbau GmbH.

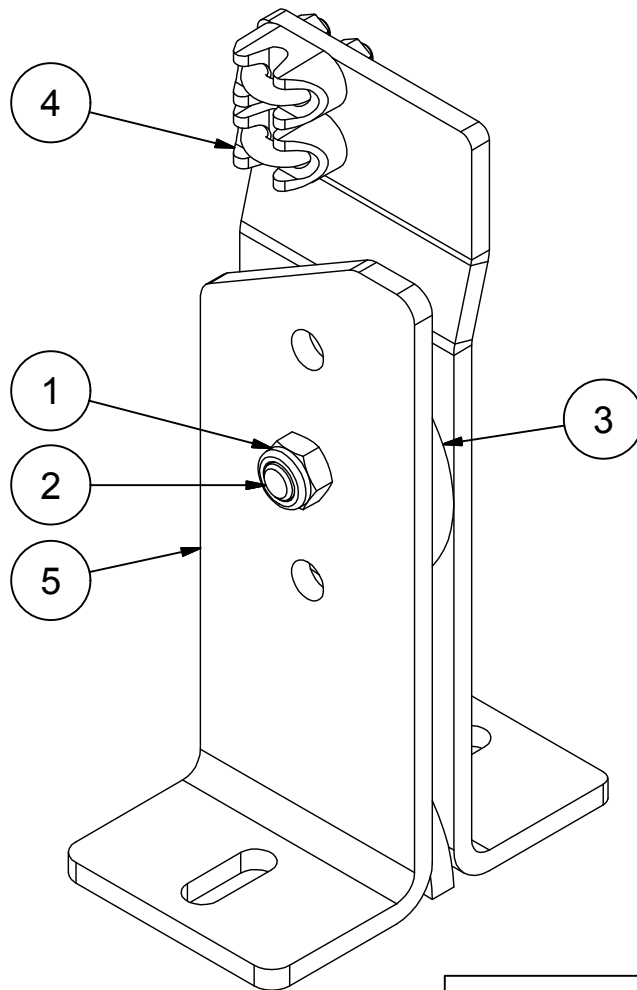
**VOGELSANG**





BOM			
Pos.	Qty.	Part	Description
1	1	NMK.004	Hexagon Nut M 8, DIN 985
2	1	NSK.022	Hexagon Head Bolt M 8 x 40 mm, DIN 931
3	1	NSR.030	Cord Reel Ø 50 mm

Assembly Kit Cord Reel	A	
	<b>TSZ503</b>	
© Hugo Vogelsang Maschinenbau GmbH.		



BOM			
Pos.	Qty.	Part	Description
1	1	NMK.004	Hexagon Nut M 8, DIN 985
2	1	NSK.019	Hexagon Head Bolt M 8 x 25 mm, DIN 933
3	1	NUS0112	Distance Washer 9,0 mm x 60 mm x 6,0 mm
4	2	TMB.015	Wire Rope Clip 5 mm
5	1	TSE.011	Cable Pulley Holder Steel

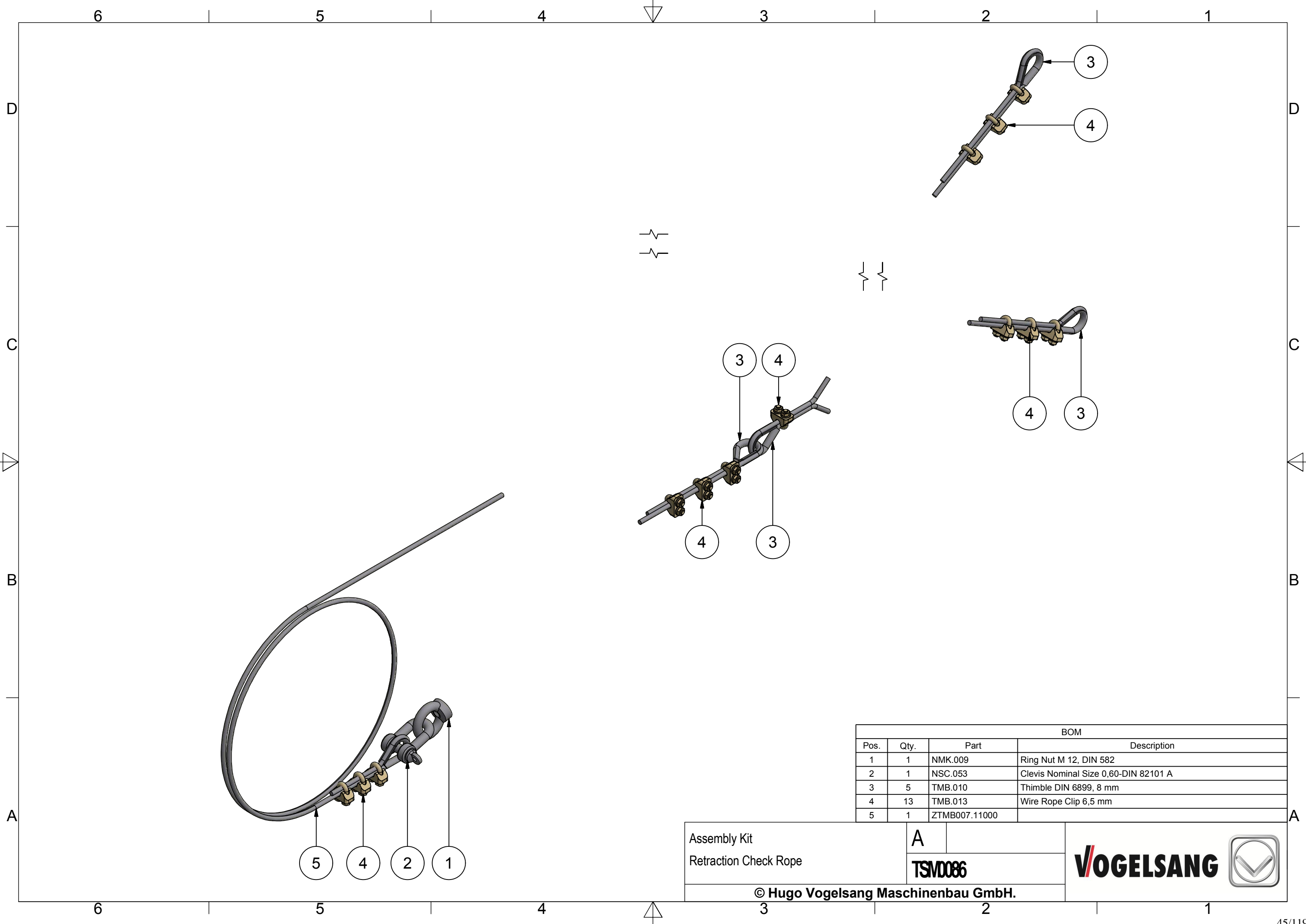
Assembly Kit  
Rope Length Adjustment

E



TSE424

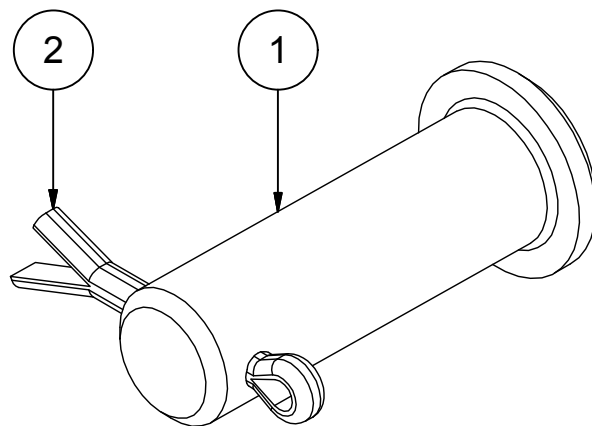
**VOGELSANG**





BOM			
Pos.	Qty.	Part	Description
1	1	NMK.009	Ring Nut M 12, DIN 582
2	1	NSC.053	Clevis Nominal Size 0,60-DIN 82101 A
3	5	TMB.010	Thimble DIN 6899, 8 mm
4	13	TMB.013	Wire Rope Clip 6,5 mm
5	1	ZTMB007.11000	

Assembly Kit Retraction Check Rope	A	 
	<b>TSM086</b>	
© Hugo Vogelsang Maschinenbau GmbH.		



BOM			
Pos.	Qty.	Part	Description
1	1	NBO.008	Spring Cotter Bolt Ø 20 mm x 55 mm
2	1	NSP.012	Split Pin Ø 5,0 mm x 40 mm

Set of Pins  
 Ø 20 mm x 63 mm

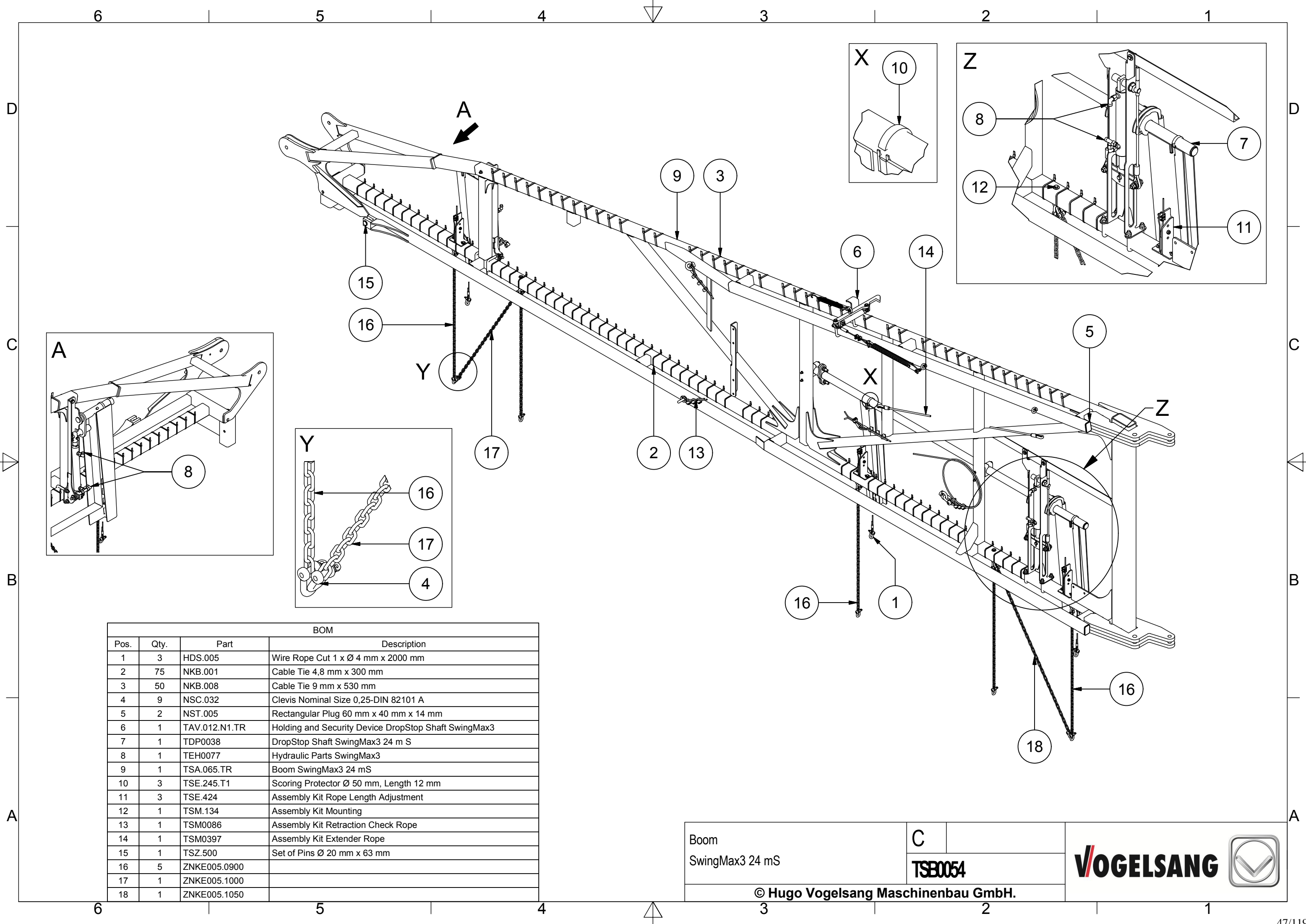
**B**

**TSZ500**

**VOGELSANG**

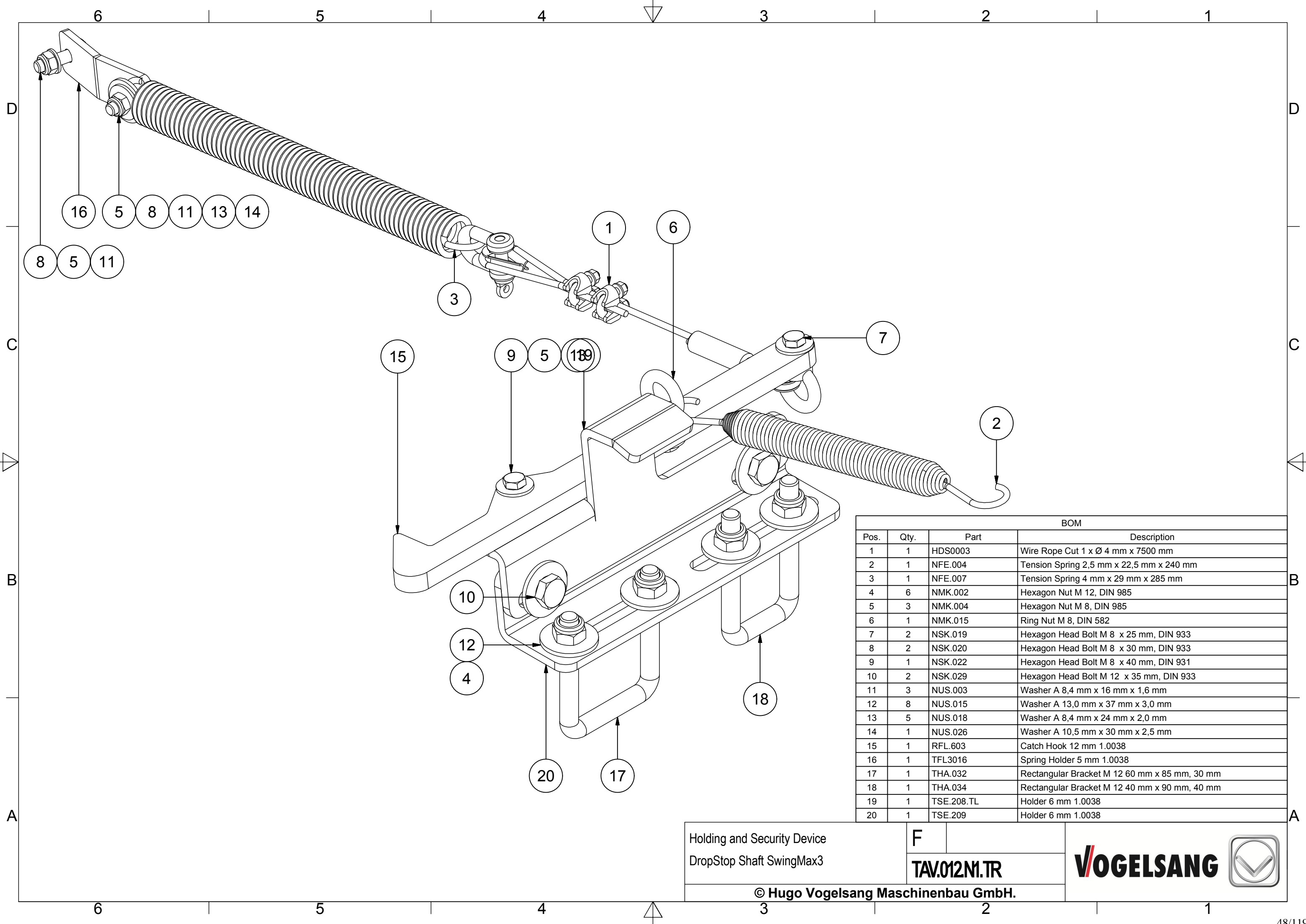


© Hugo Vogelsang Maschinenbau GmbH.



BOM			
Pos.	Qty.	Part	Description
1	3	HDS.005	Wire Rope Cut 1 x Ø 4 mm x 2000 mm
2	75	NKB.001	Cable Tie 4,8 mm x 300 mm
3	50	NKB.008	Cable Tie 9 mm x 530 mm
4	9	NSC.032	Clevis Nominal Size 0,25-DIN 82101 A
5	2	NST.005	Rectangular Plug 60 mm x 40 mm x 14 mm
6	1	TAV.012.N1.TR	Holding and Security Device DropStop Shaft SwingMax3
7	1	TDP0038	DropStop Shaft SwingMax3 24 m S
8	1	TEH0077	Hydraulic Parts SwingMax3
9	1	TSA.065.TR	Boom SwingMax3 24 mS
10	3	TSE.245.T1	Scoring Protector Ø 50 mm, Length 12 mm
11	3	TSE.424	Assembly Kit Rope Length Adjustment
12	1	TSM.134	Assembly Kit Mounting
13	1	TSM0086	Assembly Kit Retraction Check Rope
14	1	TSM0397	Assembly Kit Extender Rope
15	1	TSZ.500	Set of Pins Ø 20 mm x 63 mm
16	5	ZNKE005.0900	
17	1	ZNKE005.1000	
18	1	ZNKE005.1050	

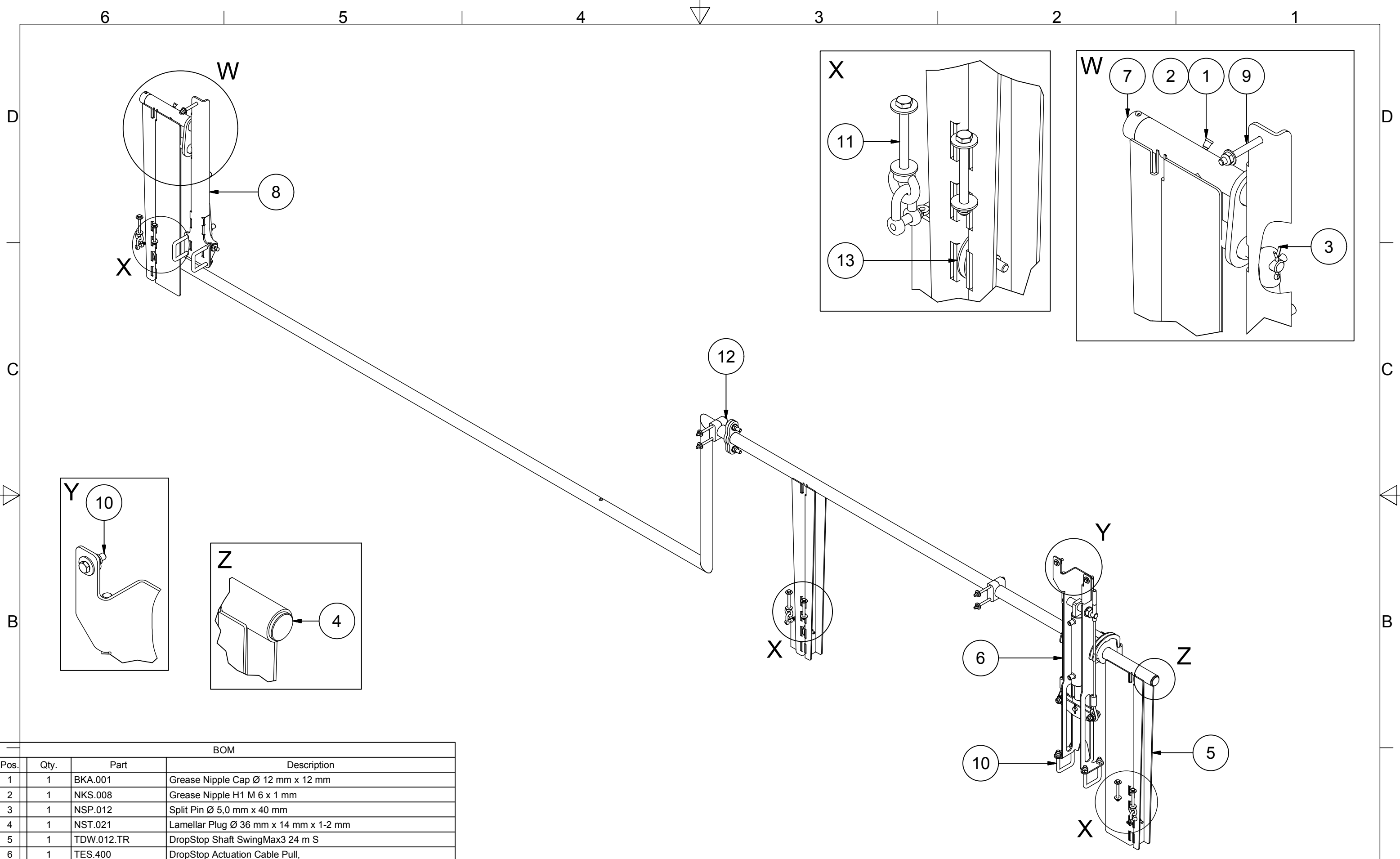
Boom	C	
SwingMax3 24 mS	TSE0054	
© Hugo Vogelsang Maschinenbau GmbH.		



BOM			
Pos.	Qty.	Part	Description
1	1	HDS0003	Wire Rope Cut 1 x Ø 4 mm x 7500 mm
2	1	NFE.004	Tension Spring 2,5 mm x 22,5 mm x 240 mm
3	1	NFE.007	Tension Spring 4 mm x 29 mm x 285 mm
4	6	NMK.002	Hexagon Nut M 12, DIN 985
5	3	NMK.004	Hexagon Nut M 8, DIN 985
6	1	NMK.015	Ring Nut M 8, DIN 582
7	2	NSK.019	Hexagon Head Bolt M 8 x 25 mm, DIN 933
8	2	NSK.020	Hexagon Head Bolt M 8 x 30 mm, DIN 933
9	1	NSK.022	Hexagon Head Bolt M 8 x 40 mm, DIN 931
10	2	NSK.029	Hexagon Head Bolt M 12 x 35 mm, DIN 933
11	3	NUS.003	Washer A 8,4 mm x 16 mm x 1,6 mm
12	8	NUS.015	Washer A 13,0 mm x 37 mm x 3,0 mm
13	5	NUS.018	Washer A 8,4 mm x 24 mm x 2,0 mm
14	1	NUS.026	Washer A 10,5 mm x 30 mm x 2,5 mm
15	1	RFL.603	Catch Hook 12 mm 1.0038
16	1	TFL3016	Spring Holder 5 mm 1.0038
17	1	THA.032	Rectangular Bracket M 12 60 mm x 85 mm, 30 mm
18	1	THA.034	Rectangular Bracket M 12 40 mm x 90 mm, 40 mm
19	1	TSE.208.TL	Holder 6 mm 1.0038
20	1	TSE.209	Holder 6 mm 1.0038

Holding and Security Device DropStop Shaft SwingMax3	F	
	TAV.012N1.TR	
© Hugo Vogelsang Maschinenbau GmbH.		

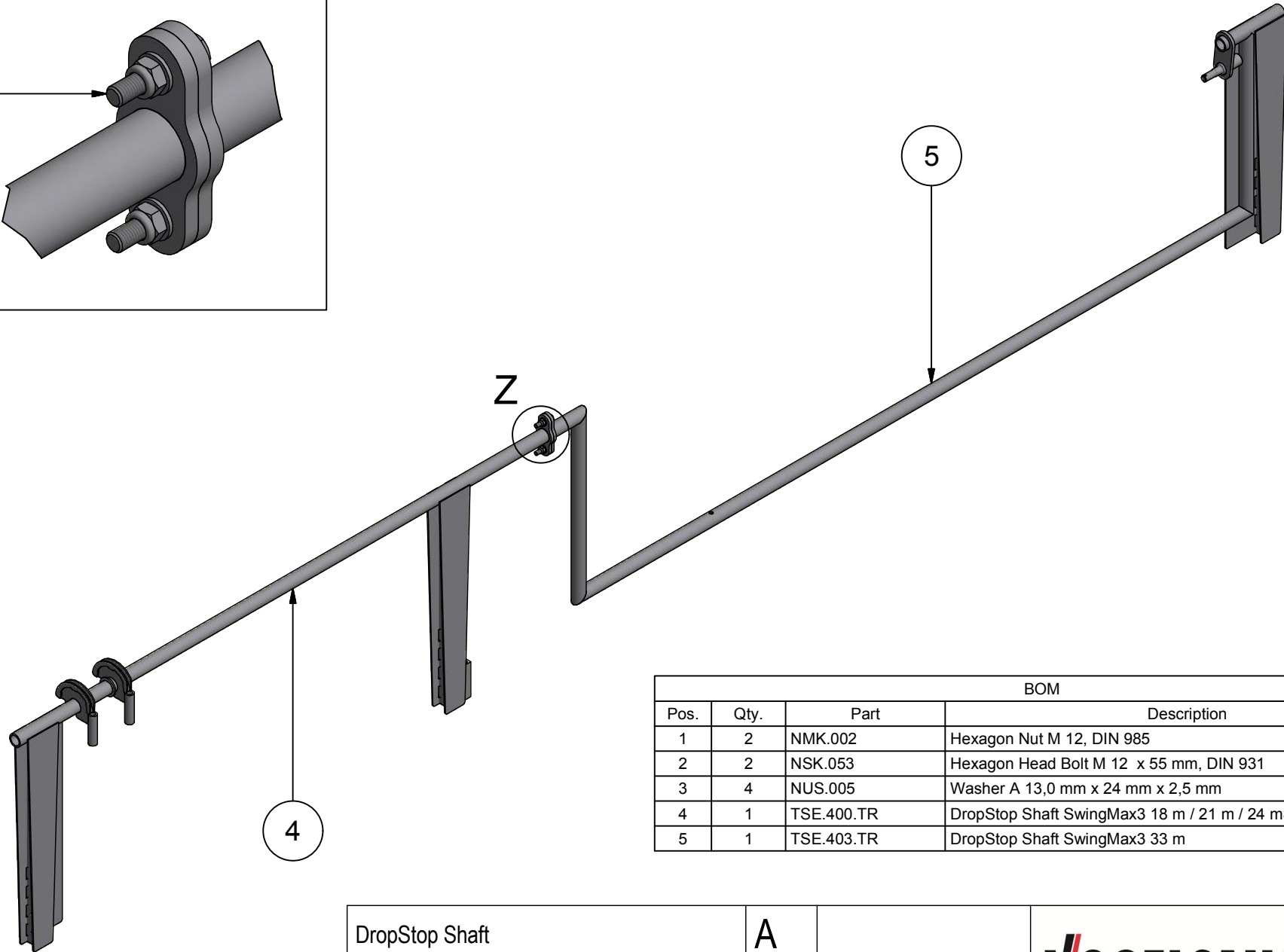
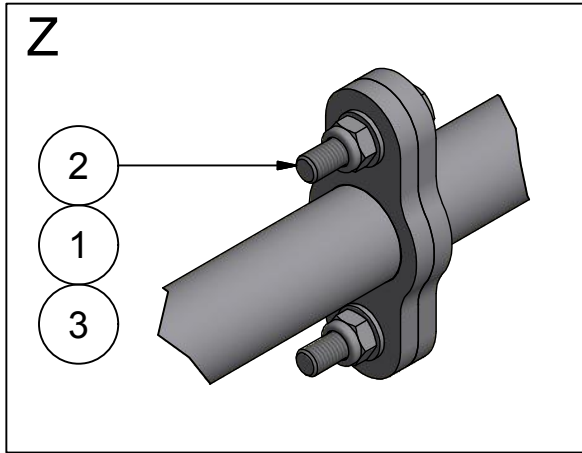




BOM

Pos.	Qty.	Part	Description
1	1	BKA.001	Grease Nipple Cap Ø 12 mm x 12 mm
2	1	NKS.008	Grease Nipple H1 M 6 x 1 mm
3	1	NSP.012	Split Pin Ø 5,0 mm x 40 mm
4	1	NST.021	Lamellar Plug Ø 36 mm x 14 mm x 1-2 mm
5	1	TDW.012.TR	DropStop Shaft SwingMax3 24 m S
6	1	TES.400	DropStop Actuation Cable Pull,
7	1	TFL0683	Spacer Washer Ø 42,4 mm, 24 mm
8	1	TSE.425.TL	DropStop Actuation Booster Cylinder, Long
9	1	TSM.132	Assembly Kit Mounting
10	1	TSM.133	Assembly Kit Mounting
11	3	TSM.135	Assembly Kit Mounting
12	1	TSM0675	Assembly Kit Bearing DropStop Shaft SwingMax3 18 m bis 33 m
13	3	TSZ.503	Assembly Kit Cord Reel

DropStop Shaft SwingMax3 24 m S	D	
	TDP0038	
© Hugo Vogelsang Maschinenbau GmbH.		



BOM			
Pos.	Qty.	Part	Description
1	2	NMK.002	Hexagon Nut M 12, DIN 985
2	2	NSK.053	Hexagon Head Bolt M 12 x 55 mm, DIN 931
3	4	NUS.005	Washer A 13,0 mm x 24 mm x 2,5 mm
4	1	TSE.400.TR	DropStop Shaft SwingMax3 18 m / 21 m / 24 mS
5	1	TSE.403.TR	DropStop Shaft SwingMax3 33 m

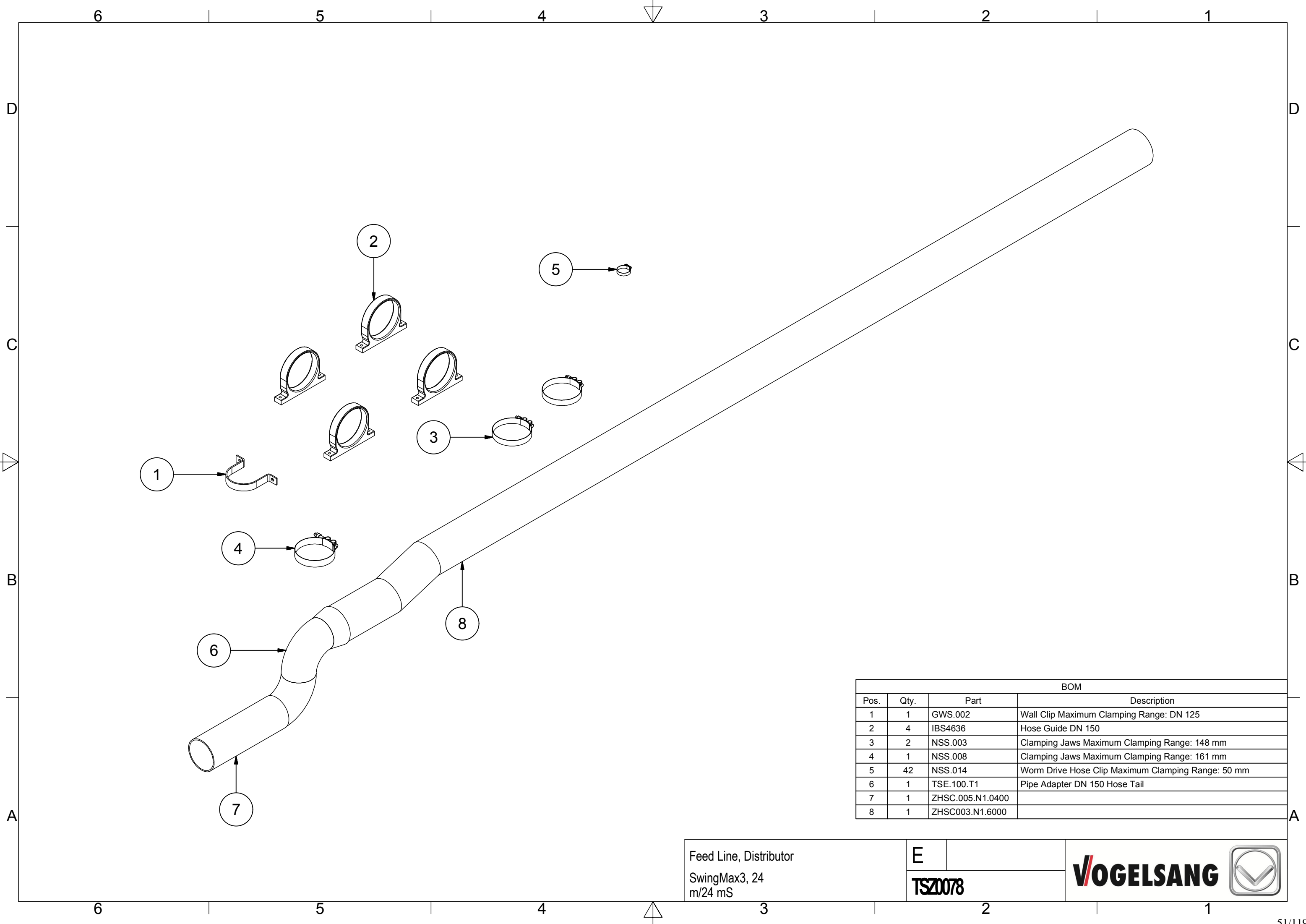
DropStop Shaft  
SwingMax3 24 m S

A

TDW012TR

**VOGELSANG**





BOM			
Pos.	Qty.	Part	Description
1	1	GWS.002	Wall Clip Maximum Clamping Range: DN 125
2	4	IBS4636	Hose Guide DN 150
3	2	NSS.003	Clamping Jaws Maximum Clamping Range: 148 mm
4	1	NSS.008	Clamping Jaws Maximum Clamping Range: 161 mm
5	42	NSS.014	Worm Drive Hose Clip Maximum Clamping Range: 50 mm
6	1	TSE.100.T1	Pipe Adapter DN 150 Hose Tail
7	1	ZHSC.005.N1.0400	
8	1	ZHSC003.N1.6000	

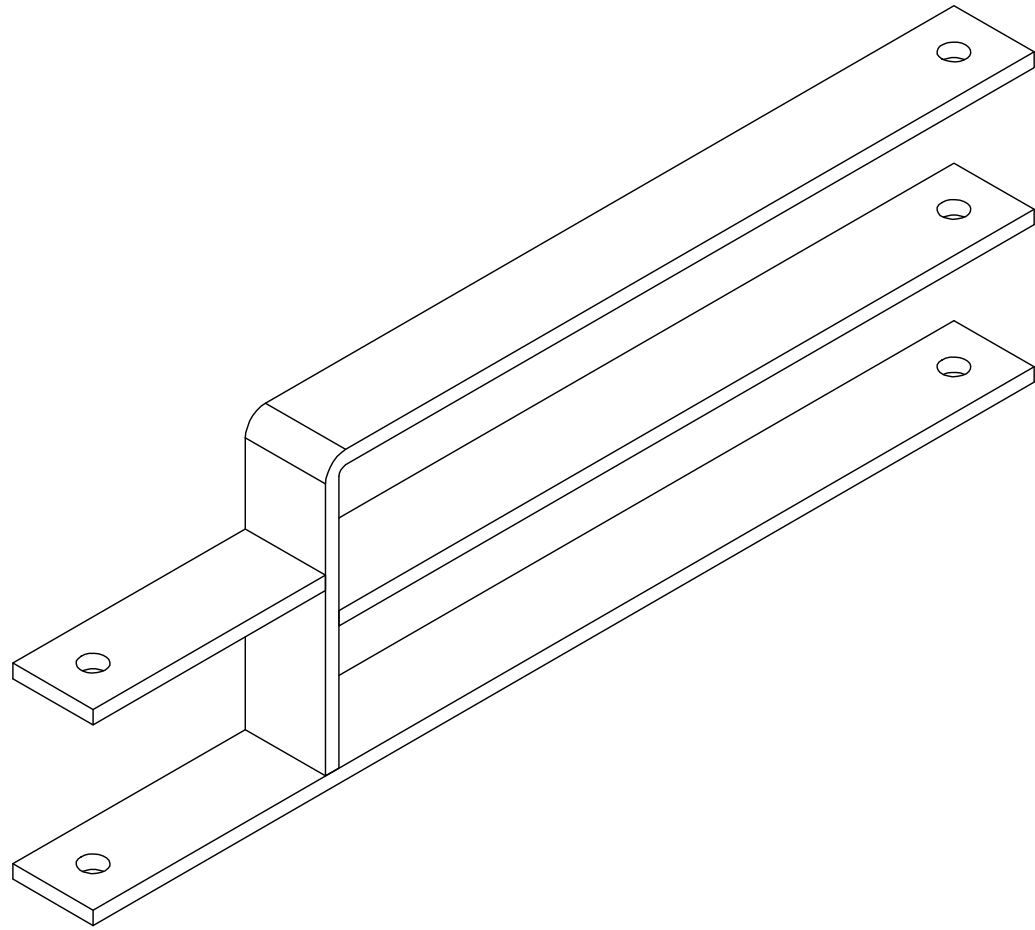
Feed Line, Distributor  
 SwingMax3, 24  
 m/24 mS

E

TSZ0078

**VOGELSANG**



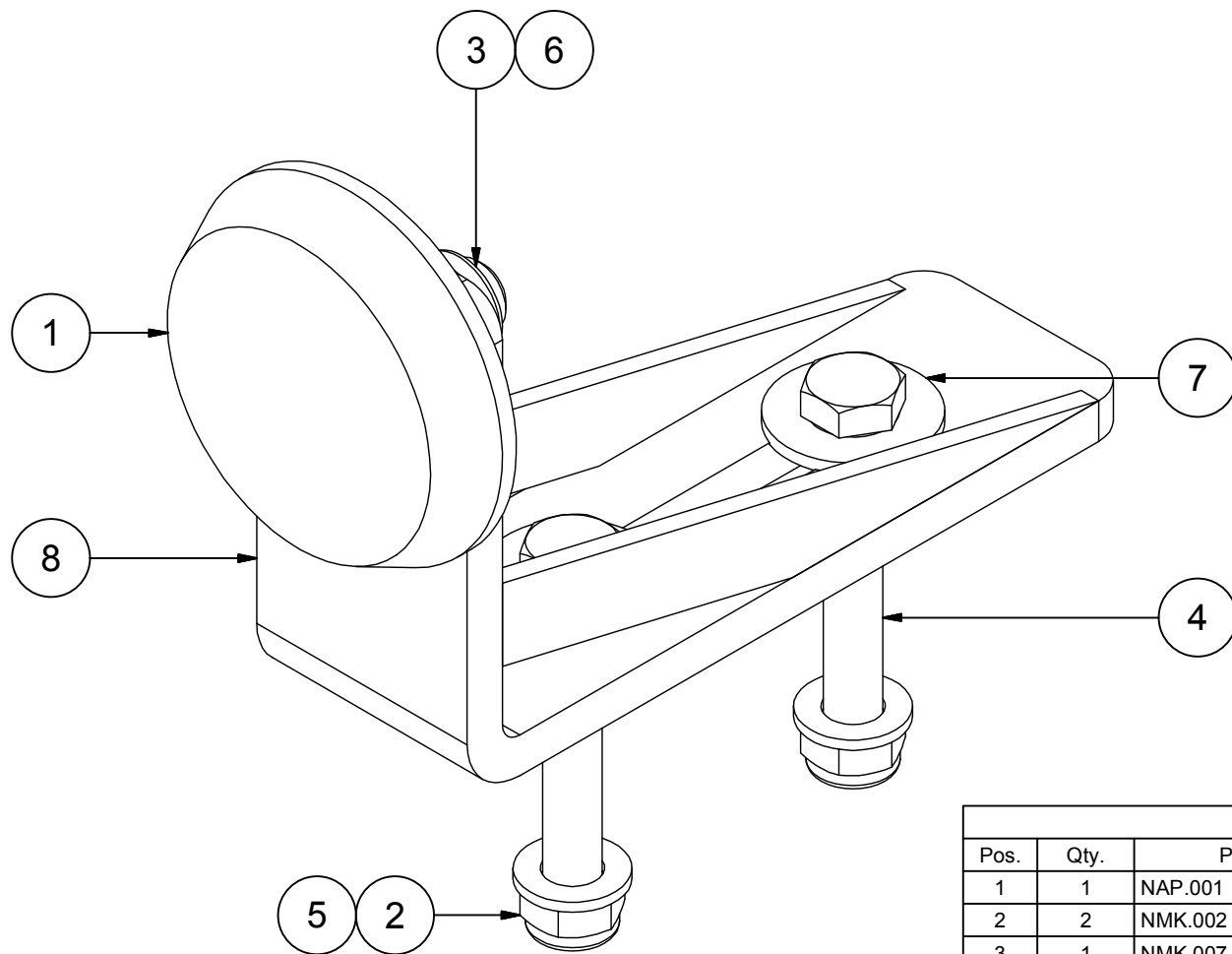


Hose Retainer  
10 x DN 40, 60 x 60 mm

A  
THS0001

**V/OGELSANG**





BOM			
Pos.	Qty.	Part	Description
1	1	NAP.001	Rubber Buffer Ø 90 mm x 30 mm
2	2	NMK.002	Hexagon Nut M 12, DIN 985
3	1	NMK.007	Hexagon Nut M 16, DIN 985
4	2	NSK.039	Hexagon Head Bolt M 12 x 90 mm, DIN 931
5	2	NUS.005	Washer A 13,0 mm x 24 mm x 2,5 mm
6	1	NUS.007	Washer A 17,0 mm x 30 mm x 3,0 mm
7	2	NUS.015	Washer A 13,0 mm x 37 mm x 3,0 mm
8	1	TSE.322	Stop Steel

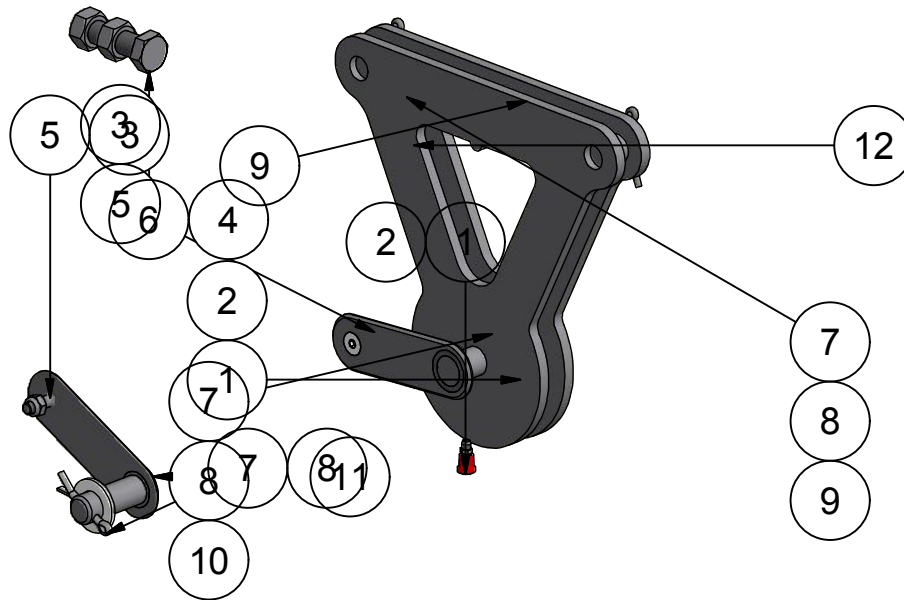
Assembly Kit  
Stop

A

TSM0099

**VOGELSANG**





BOM			
Pos.	Qty.	Part	Description
1	2	BKA.001	Grease Nipple Cap Ø 12 mm x 12 mm
2	2	NKS.008	Grease Nipple H1 M 6 x 1 mm
3	2	NMK.004	Hexagon Nut M 8, DIN 985
4	2	NMS.006	Hexagon Nut M 16, DIN 934
5	2	NSI.079	Countersunk Bolt M 8 x 25 mm, ISO 10642
6	1	NSK.077	Hexagon Head Bolt M 16 x 60 mm, DIN 933 Steel 8.8
7	4	NSP.012	Split Pin Ø 5,0 mm x 40 mm
8	4	NUS.008	Washer A 21,0 mm x 37 mm x 3,0 mm
9	1	TSE.196	Coupling Joint SwingMax3
10	1	TSE.203	Bolt With Bracket
11	1	TSE.203.T1	Bolt With Bracket
12	1	TSE.206	Coupling Joint SwingMax3

180° Folding  
SwingMax3

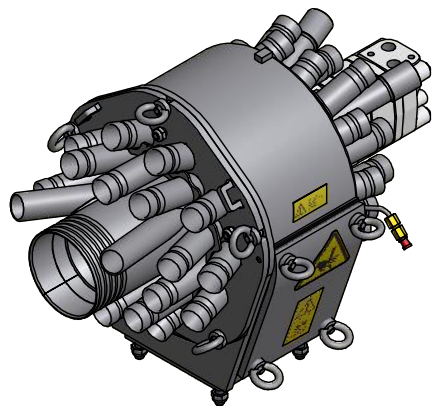
D

TSM138

© Hugo Vogelsang Maschinenbau GmbH.

**VOGELSANG**

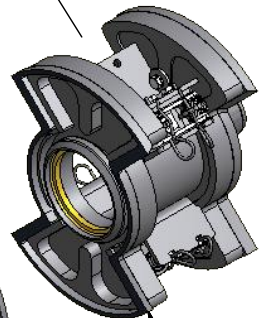




50



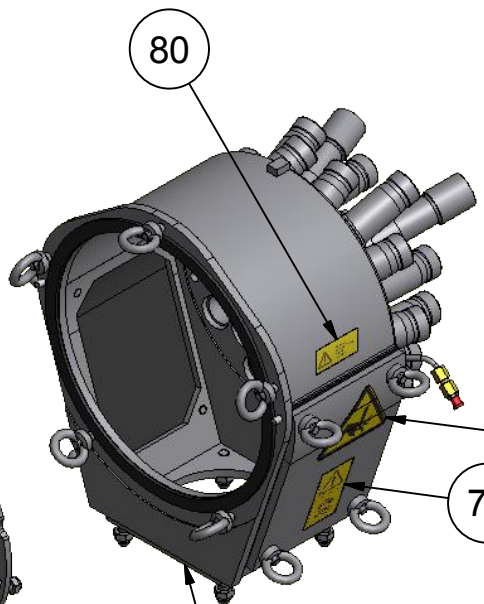
20



30

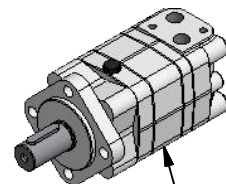


20



80

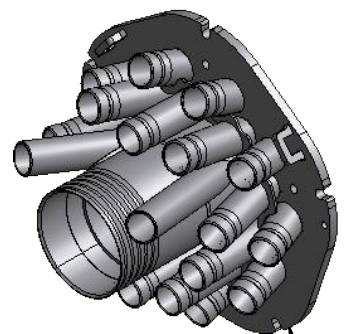
10



40

60

70



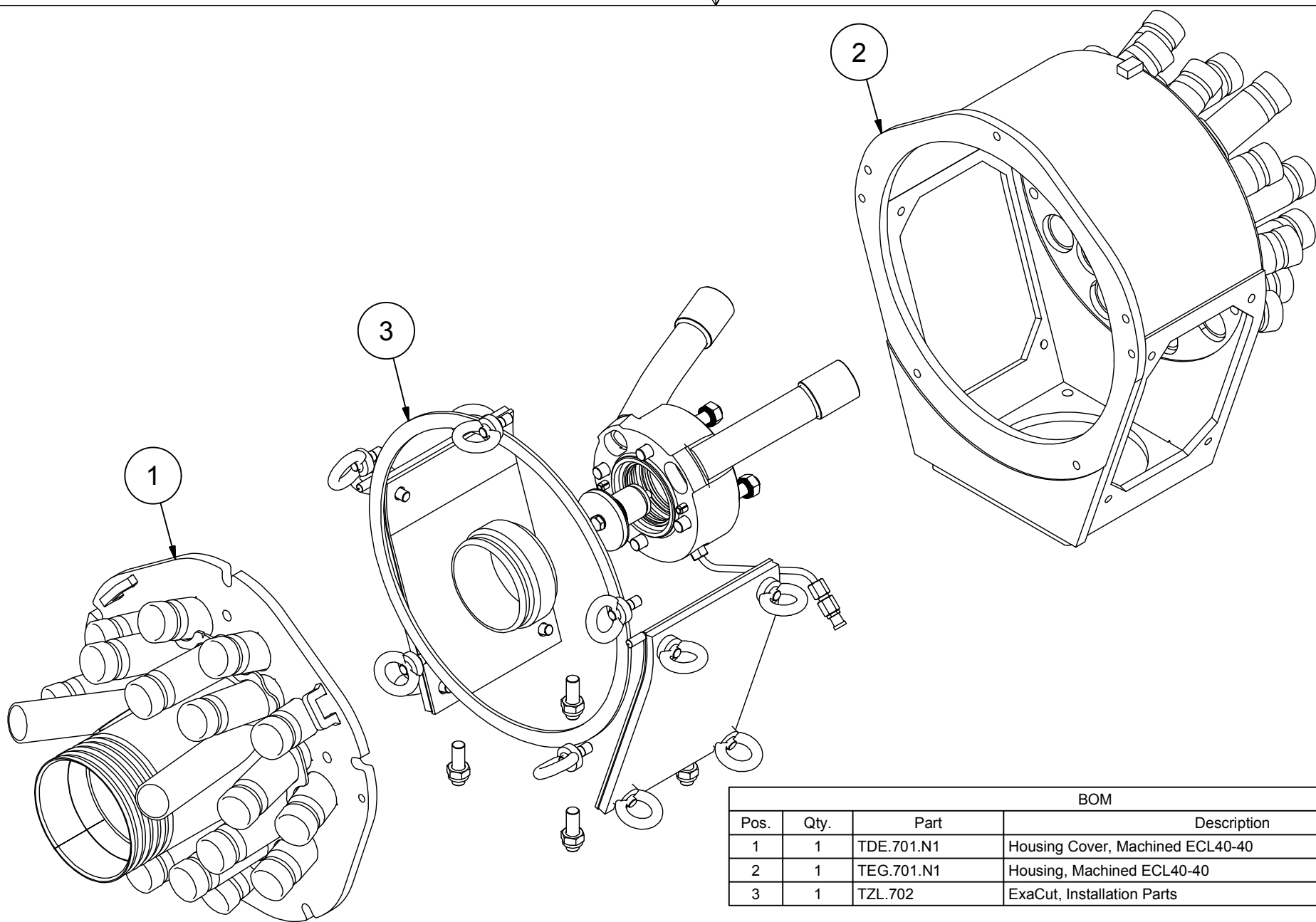
10

ExaCut ECL40-40  
für ETL

A

**VOGEL**SANG





BOM			
Pos.	Qty.	Part	Description
1	1	TDE.701.N1	Housing Cover, Machined ECL40-40
2	1	TEG.701.N1	Housing, Machined ECL40-40
3	1	TZL.702	ExaCut, Installation Parts

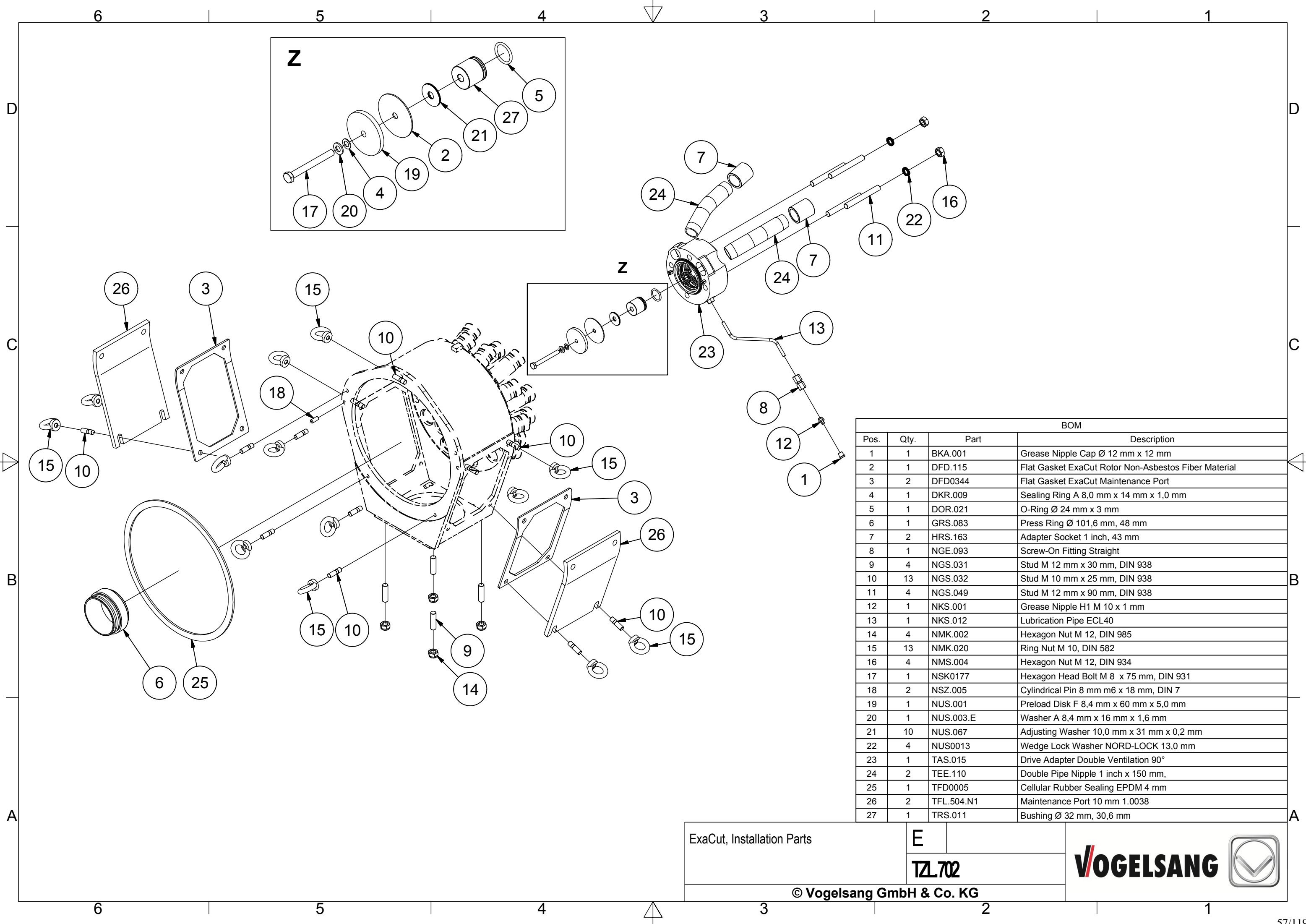
Housing, Parts Kit  
ECL40-40

A  
GEC.003

**VOGELSANG**

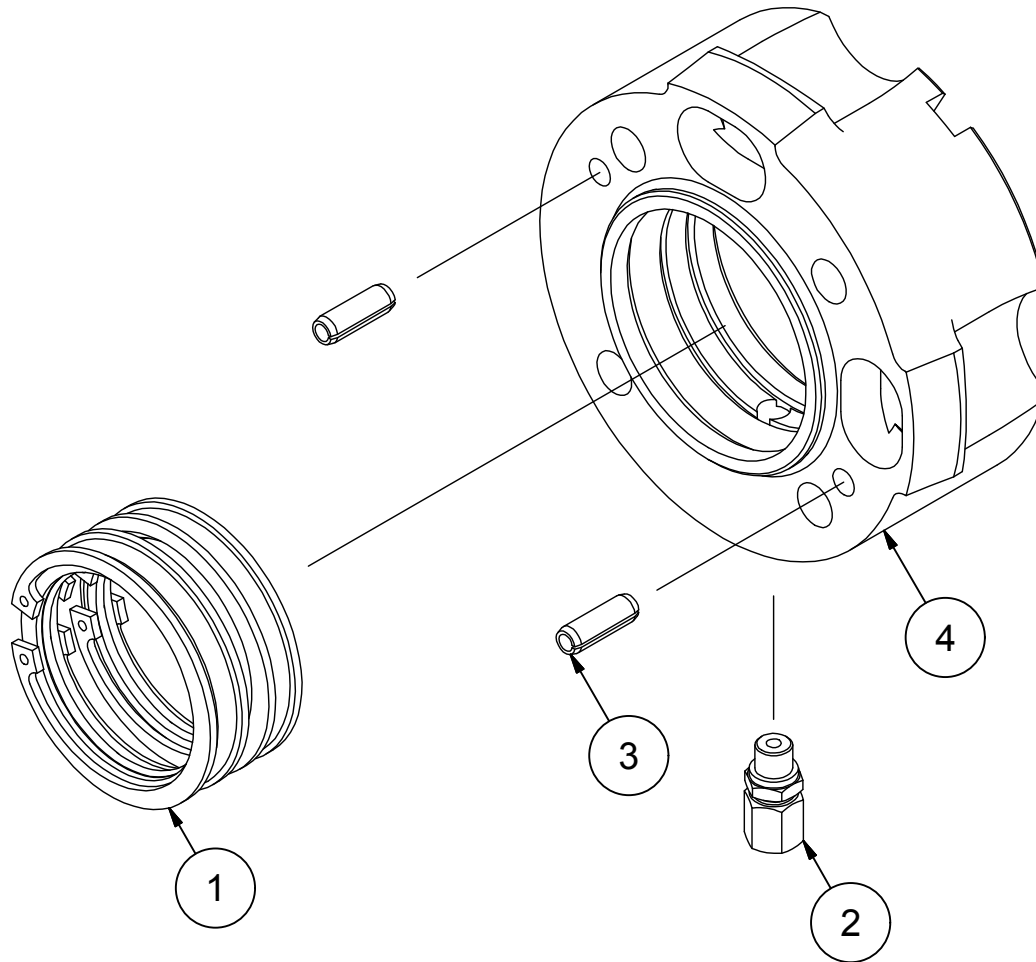






BOM			
Pos.	Qty.	Part	Description
1	1	BKA.001	Grease Nipple Cap Ø 12 mm x 12 mm
2	1	DFD.115	Flat Gasket ExaCut Rotor Non-Asbestos Fiber Material
3	2	DFD0344	Flat Gasket ExaCut Maintenance Port
4	1	DKR.009	Sealing Ring A 8,0 mm x 14 mm x 1,0 mm
5	1	DOR.021	O-Ring Ø 24 mm x 3 mm
6	1	GRS.083	Press Ring Ø 101,6 mm, 48 mm
7	2	HRS.163	Adapter Socket 1 inch, 43 mm
8	1	NGE.093	Screw-On Fitting Straight
9	4	NGS.031	Stud M 12 mm x 30 mm, DIN 938
10	13	NGS.032	Stud M 10 mm x 25 mm, DIN 938
11	4	NGS.049	Stud M 12 mm x 90 mm, DIN 938
12	1	NKS.001	Grease Nipple H1 M 10 x 1 mm
13	1	NKS.012	Lubrication Pipe ECL40
14	4	NMK.002	Hexagon Nut M 12, DIN 985
15	13	NMK.020	Ring Nut M 10, DIN 582
16	4	NMS.004	Hexagon Nut M 12, DIN 934
17	1	NSK0177	Hexagon Head Bolt M 8 x 75 mm, DIN 931
18	2	NSZ.005	Cylindrical Pin 8 mm m6 x 18 mm, DIN 7
19	1	NUS.001	Preload Disk F 8,4 mm x 60 mm x 5,0 mm
20	1	NUS.003.E	Washer A 8,4 mm x 16 mm x 1,6 mm
21	10	NUS.067	Adjusting Washer 10,0 mm x 31 mm x 0,2 mm
22	4	NUS0013	Wedge Lock Washer NORD-LOCK 13,0 mm
23	1	TAS.015	Drive Adapter Double Ventilation 90°
24	2	TEE.110	Double Pipe Nipple 1 inch x 150 mm,
25	1	TFD0005	Cellular Rubber Sealing EPDM 4 mm
26	2	TFL.504.N1	Maintenance Port 10 mm 1.0038
27	1	TRS.011	Bushing Ø 32 mm, 30,6 mm

ExaCut, Installation Parts	E	
	TZL702	
© Vogelsang GmbH & Co. KG		



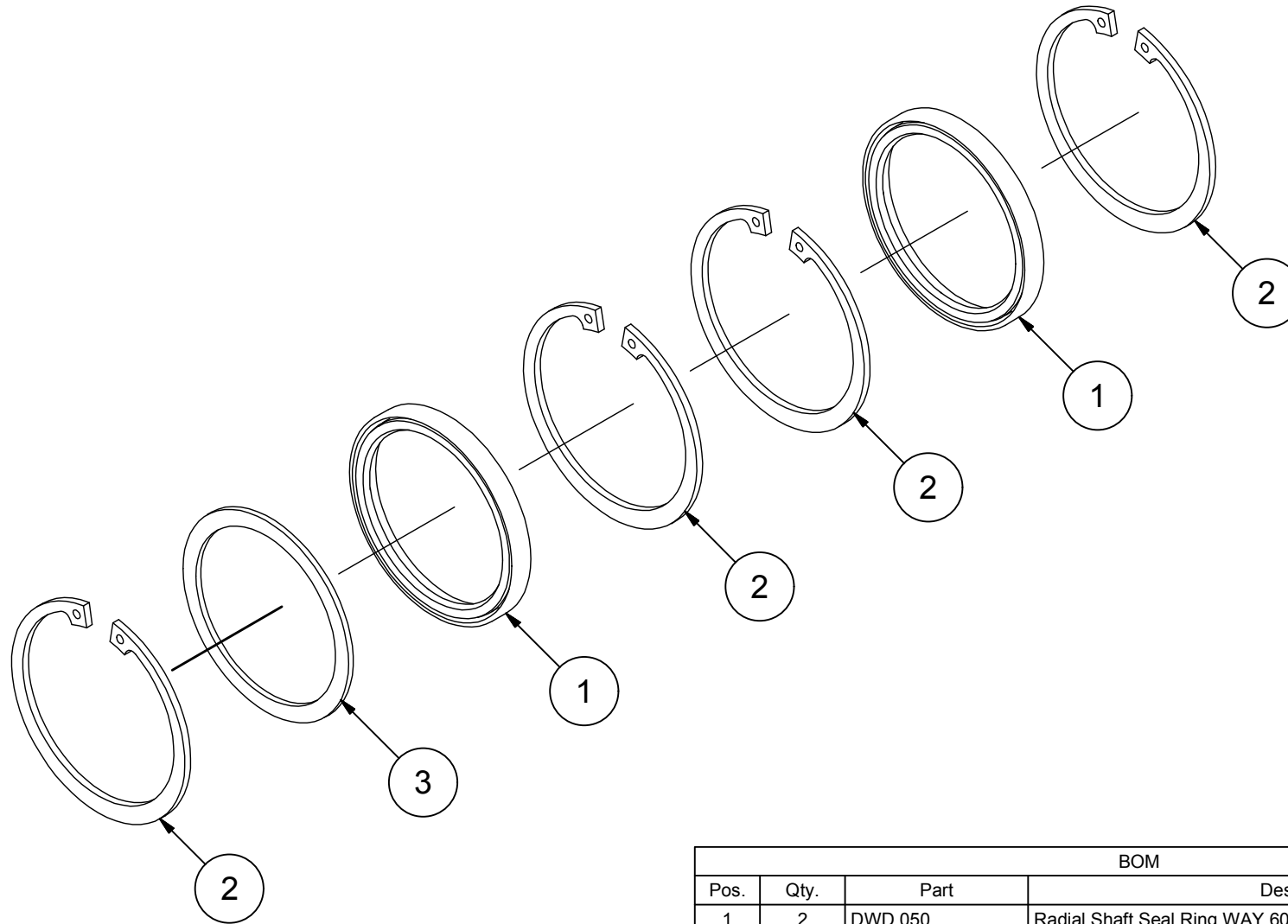
BOM			
Pos.	Qty.	Part	Description
1	1	DDS0016	Seal Kit ExaCut Shaft Diameter Ø 32 mm
2	1	NGE.094	Screw-In Fitting Straight 6 L - M 10 x 1
3	2	NSP.025	Spring Pin 8 mm x 24 mm, ISO 8752
4	1	TRS0016	Drive Adapter Ø 149 mm, 62 mm

Drive Adapter  
Double Ventilation 90°

C  
TAS015

**VOGELSANG**





BOM			
Pos.	Qty.	Part	Description
1	2	DWD.050	Radial Shaft Seal Ring WAY 60 mm x 72 mm x 7 mm
2	4	NSR.025	Retaining Ring Ø 72 mm x 2,5 mm
3	1	NUS.060	Washer 60,0 mm x 71,8 mm x 2,0 mm

Seal Kit ExaCut  
Shaft Diameter Ø 32 mm

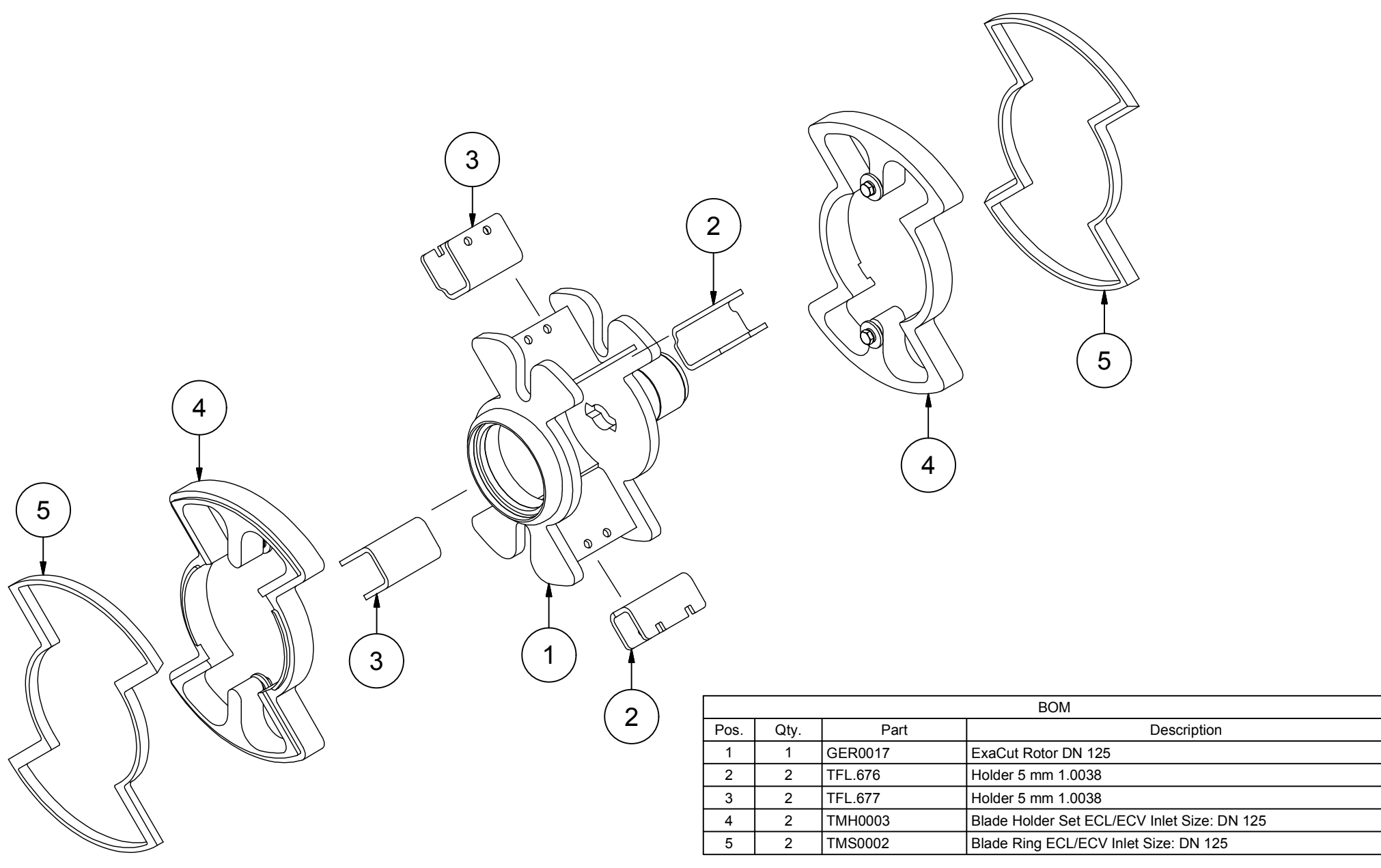
A

DDS0016

**VOGELSANG**



© Hugo Vogelsang Maschinenbau GmbH.



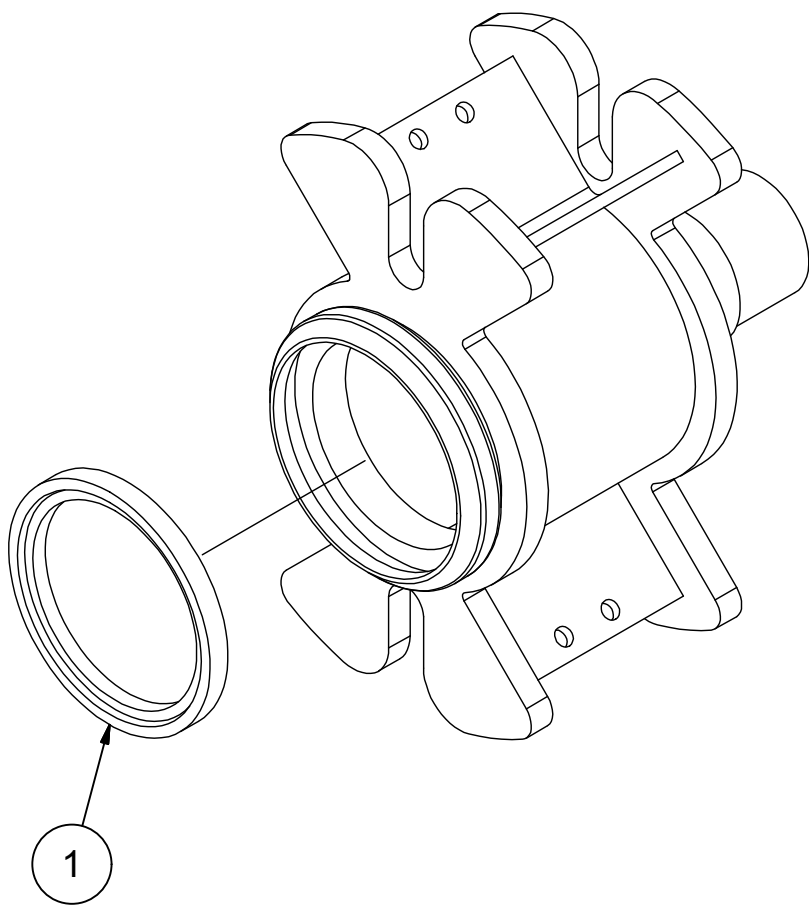
BOM			
Pos.	Qty.	Part	Description
1	1	GER0017	ExaCut Rotor DN 125
2	2	TFL.676	Holder 5 mm 1.0038
3	2	TFL.677	Holder 5 mm 1.0038
4	2	TMH0003	Blade Holder Set ECL/ECV Inlet Size: DN 125
5	2	TMS0002	Blade Ring ECL/ECV Inlet Size: DN 125

ExaCut Rotor  
DN 125

A  
GER001

**VOGELSANG**





1

ExaCut Rotor  
DN 125

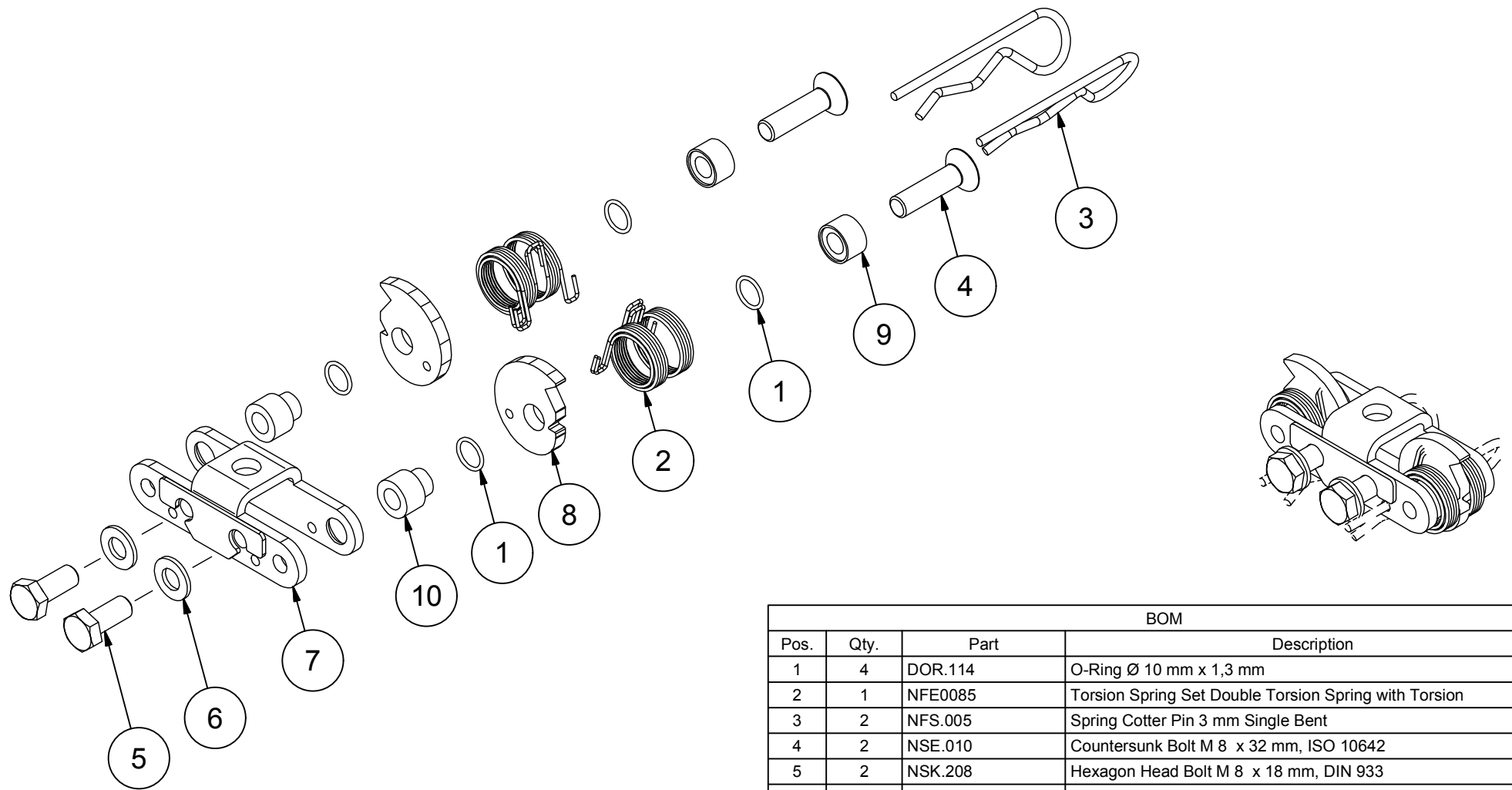
BOM			
Pos.	Qty.	Part	Description
1	1	DFD.116	Sealing Ring ECL/ ECV MH24-45 Lubricated under Vacuum
2	1	NIR.023	Inner Ring Ø 55 mm x Ø 60 mm x 35 mm
3	1	TRO.708	Rotor, Machined ECL, Inlet Size DN 125

**GER0017**

**VOGELSANG**



© Hugo Vogelsang Maschinenbau GmbH.



BOM			
Pos.	Qty.	Part	Description
1	4	DOR.114	O-Ring Ø 10 mm x 1,3 mm
2	1	NFE0085	Torsion Spring Set Double Torsion Spring with Torsion
3	2	NFS.005	Spring Cotter Pin 3 mm Single Bent
4	2	NSE.010	Countersunk Bolt M 8 x 32 mm, ISO 10642
5	2	NSK.208	Hexagon Head Bolt M 8 x 18 mm, DIN 933
6	2	NUS.003.E	Washer A 8,4 mm x 16 mm x 1,6 mm
7	1	TEA.012	Support Bracket 1.4301
8	2	TFL.566.N2	Eccentric for Adjuster 4,75 mm 1.4034
9	2	TRS.025.N1	Turned Part, Raw Part Ø 14,4 mm x 8,9 mm
10	2	TRS.026.N1	Turned Part, Raw Part Ø 14,4 mm x 15,1 mm

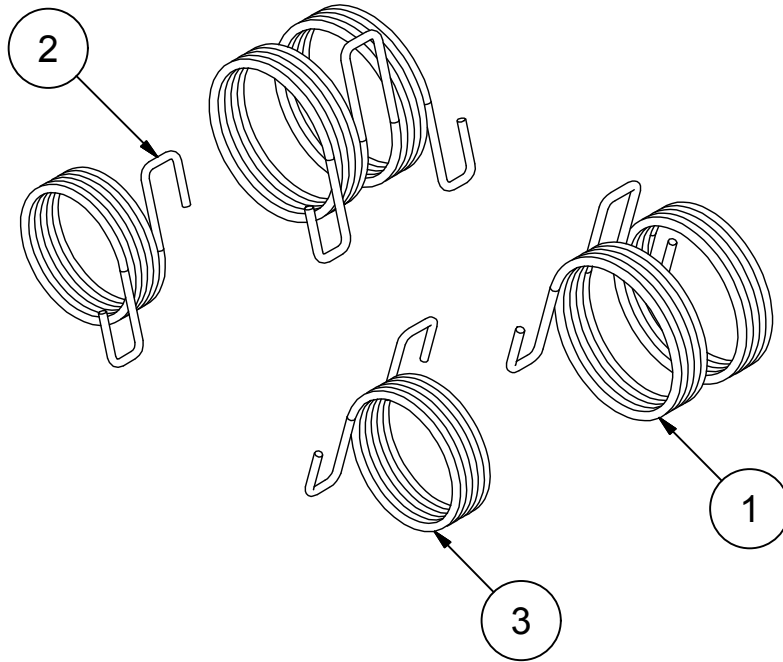
Eccentric Adjuster ECL/ECV  
75%

C

TEV.005.N1.T1

**VOGELSANG**





BOM			
Pos.	Qty.	Part	Description
1	2	NFE.042	Double Torsion Spring 1,2 mm x 21,5 mm
2	1	NFE.040	Torsion Spring 1,1 mm x 18,4 mm
3	1	NFE.041	Torsion Spring 1,1 mm x 18,4 mm

Torsion Spring Set Double  
Torsion Spring with Torsion

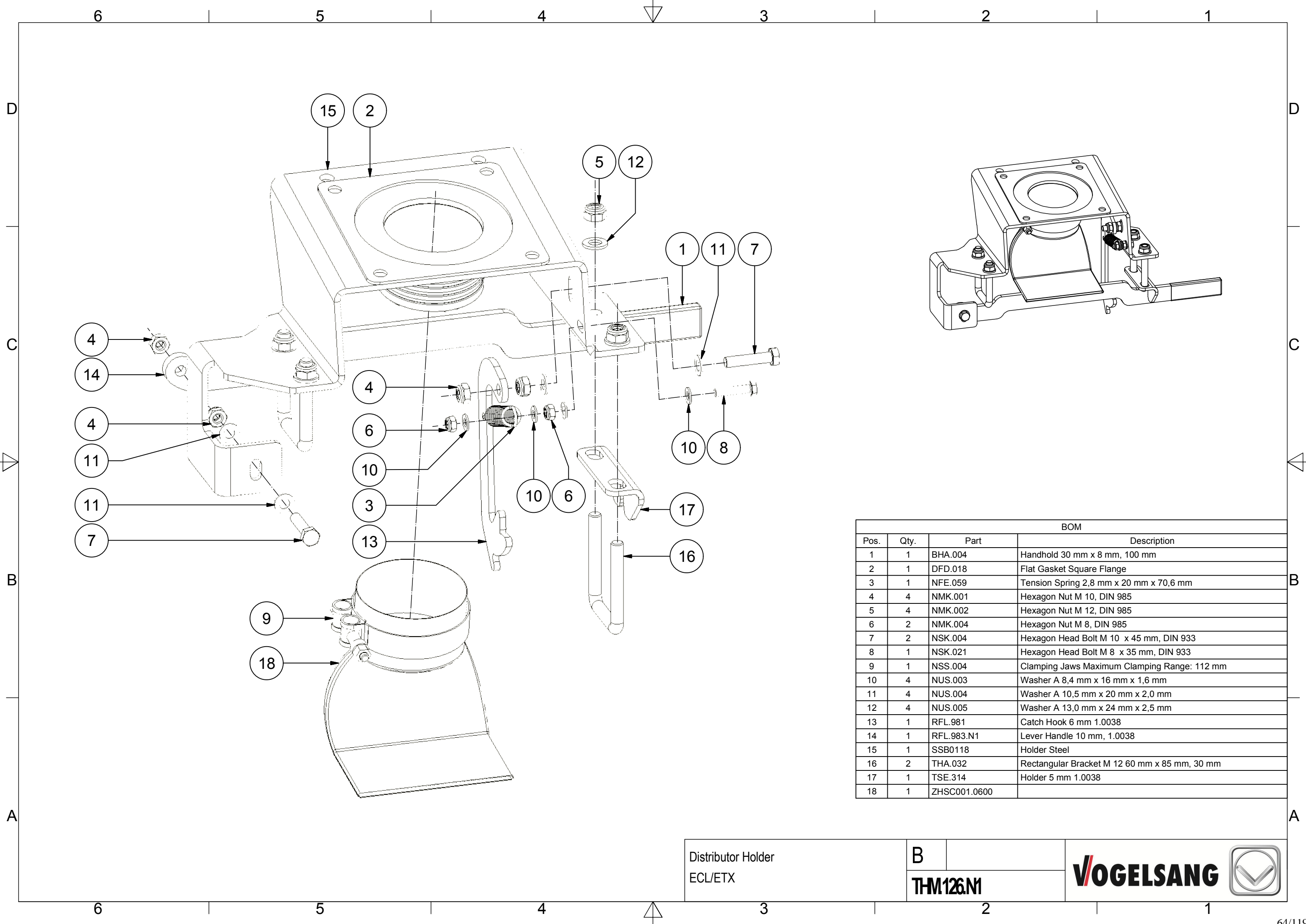
A

**NFE0085**

**VOGELSANG**



© Hugo Vogelsang Maschinenbau GmbH.



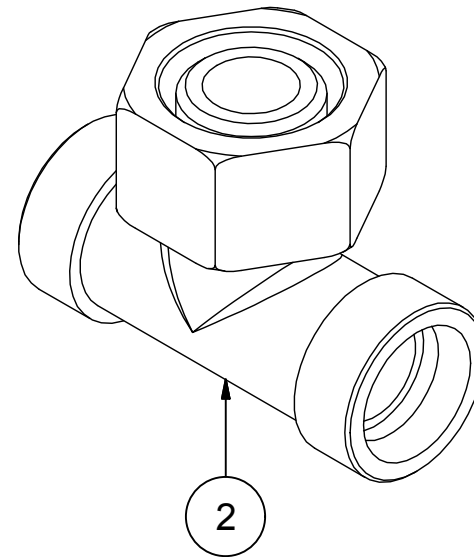
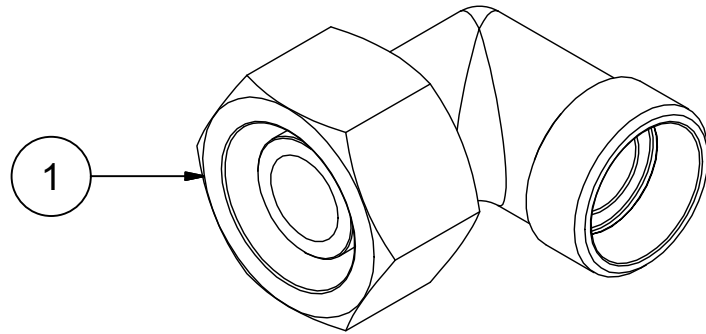
BOM			
Pos.	Qty.	Part	Description
1	1	BHA.004	Handhold 30 mm x 8 mm, 100 mm
2	1	DFD.018	Flat Gasket Square Flange
3	1	NFE.059	Tension Spring 2,8 mm x 20 mm x 70,6 mm
4	4	NMK.001	Hexagon Nut M 10, DIN 985
5	4	NMK.002	Hexagon Nut M 12, DIN 985
6	2	NMK.004	Hexagon Nut M 8, DIN 985
7	2	NSK.004	Hexagon Head Bolt M 10 x 45 mm, DIN 933
8	1	NSK.021	Hexagon Head Bolt M 8 x 35 mm, DIN 933
9	1	NSS.004	Clamping Jaws Maximum Clamping Range: 112 mm
10	4	NUS.003	Washer A 8,4 mm x 16 mm x 1,6 mm
11	4	NUS.004	Washer A 10,5 mm x 20 mm x 2,0 mm
12	4	NUS.005	Washer A 13,0 mm x 24 mm x 2,5 mm
13	1	RFL.981	Catch Hook 6 mm 1.0038
14	1	RFL.983.N1	Lever Handle 10 mm, 1.0038
15	1	SSB0118	Holder Steel
16	2	THA.032	Rectangular Bracket M 12 60 mm x 85 mm, 30 mm
17	1	TSE.314	Holder 5 mm 1.0038
18	1	ZHSC001.0600	

Distributor Holder  
ECL/ETX

B  
THM126M

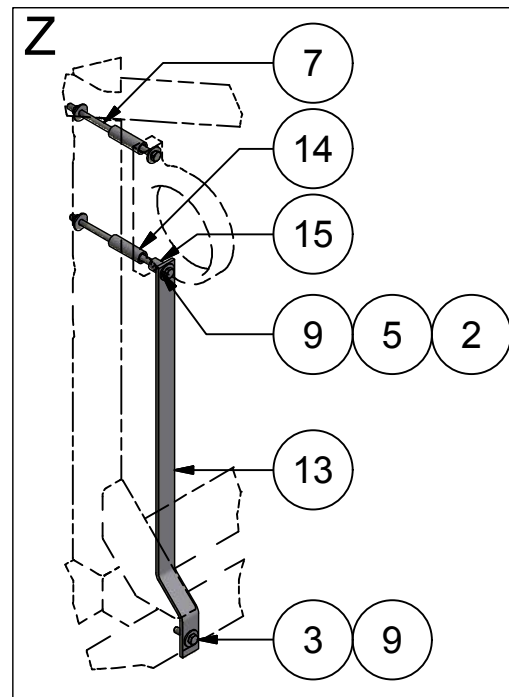
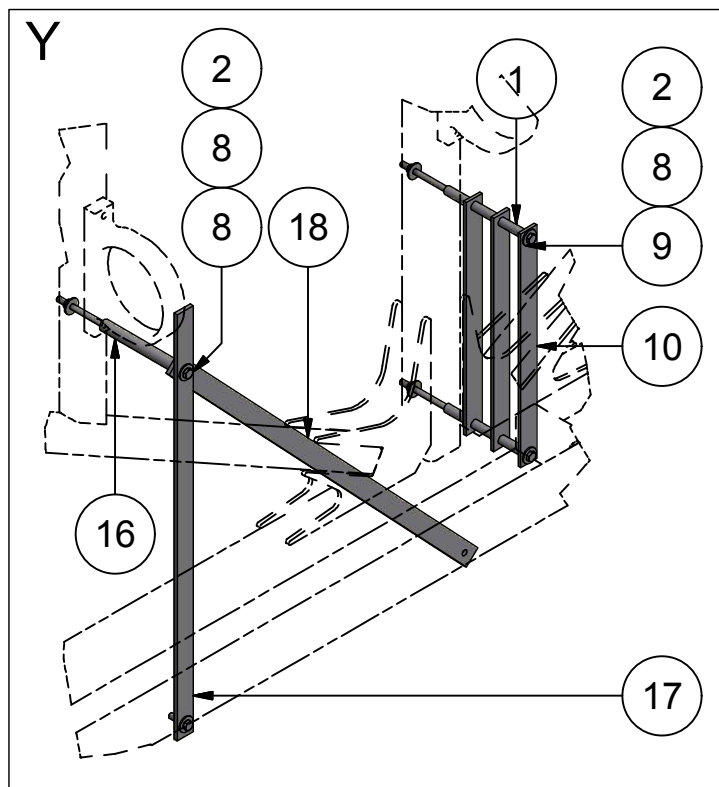
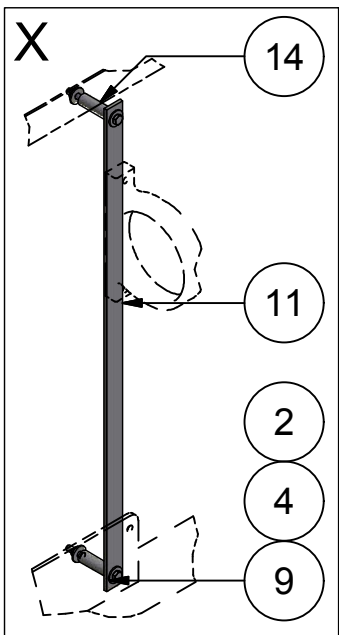
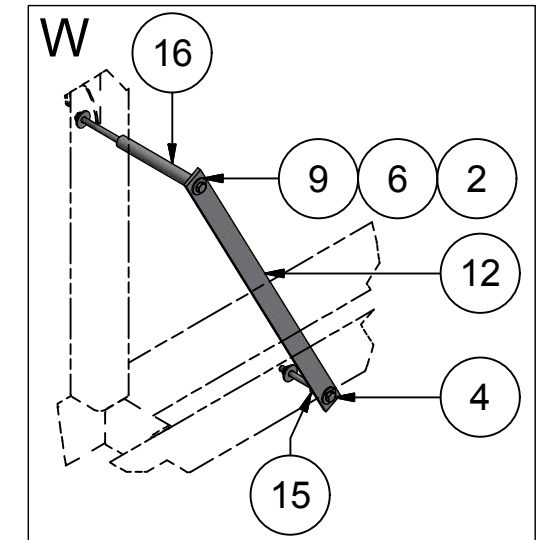
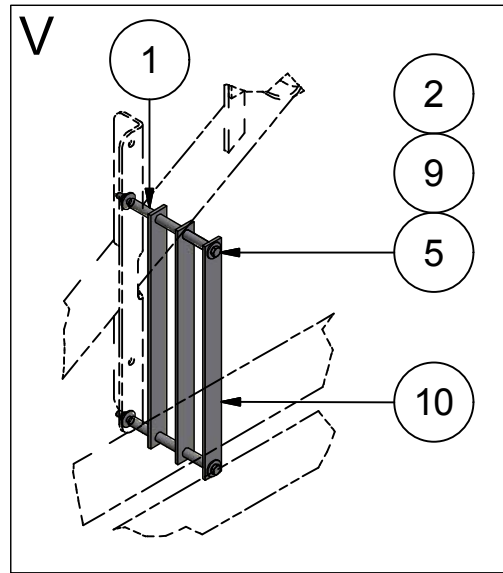
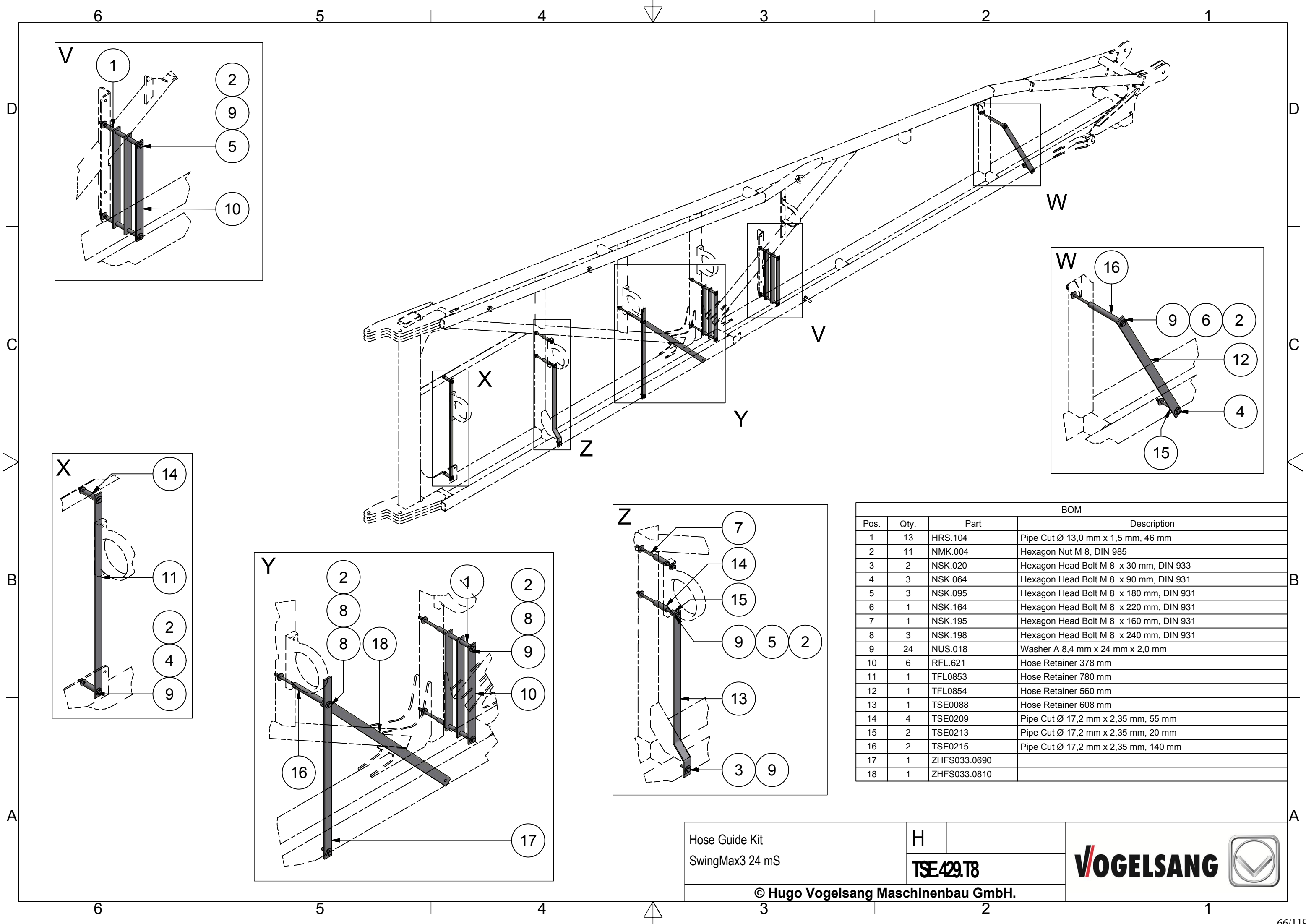






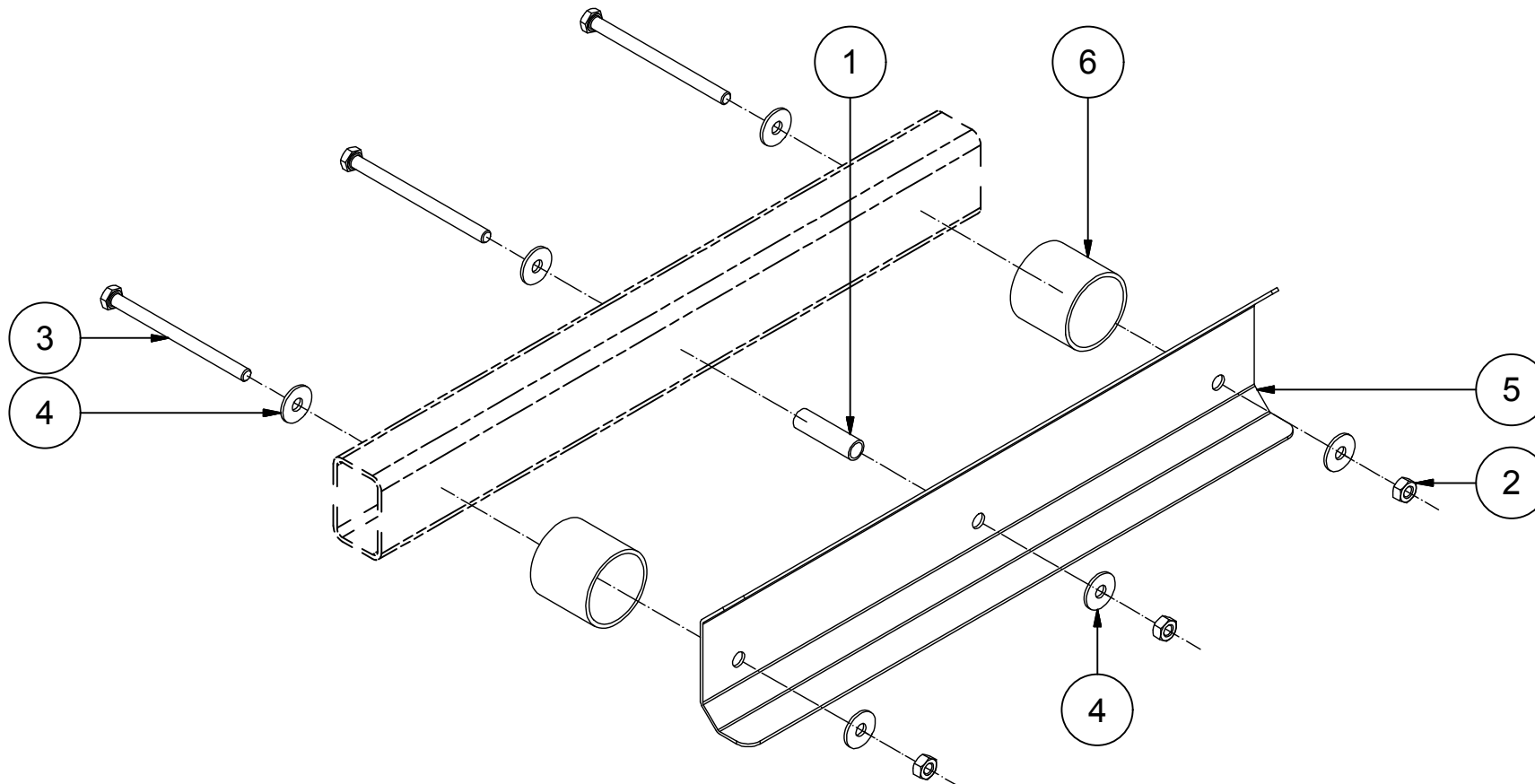
BOM			
Pos.	Qty.	Part	Description
1	1	NGE.019	Connection Fitting Angle
2	1	NGE.306	Connection Fitting T-Shaped Coupling

Hydraulic Parts	D	
	TSZ0064	



BOM			
Pos.	Qty.	Part	Description
1	13	HRS.104	Pipe Cut Ø 13,0 mm x 1,5 mm, 46 mm
2	11	NMK.004	Hexagon Nut M 8, DIN 985
3	2	NSK.020	Hexagon Head Bolt M 8 x 30 mm, DIN 933
4	3	NSK.064	Hexagon Head Bolt M 8 x 90 mm, DIN 931
5	3	NSK.095	Hexagon Head Bolt M 8 x 180 mm, DIN 931
6	1	NSK.164	Hexagon Head Bolt M 8 x 220 mm, DIN 931
7	1	NSK.195	Hexagon Head Bolt M 8 x 160 mm, DIN 931
8	3	NSK.198	Hexagon Head Bolt M 8 x 240 mm, DIN 931
9	24	NUS.018	Washer A 8,4 mm x 24 mm x 2,0 mm
10	6	RFL.621	Hose Retainer 378 mm
11	1	TFL0853	Hose Retainer 780 mm
12	1	TFL0854	Hose Retainer 560 mm
13	1	TSE0088	Hose Retainer 608 mm
14	4	TSE0209	Pipe Cut Ø 17,2 mm x 2,35 mm, 55 mm
15	2	TSE0213	Pipe Cut Ø 17,2 mm x 2,35 mm, 20 mm
16	2	TSE0215	Pipe Cut Ø 17,2 mm x 2,35 mm, 140 mm
17	1	ZHFS033.0690	
18	1	ZHFS033.0810	

Hose Guide Kit SwingMax3 24 mS	H	
	TSE429.T8	
© Hugo Vogelsang Maschinenbau GmbH.		



BOM			
Pos.	Qty.	Part	Description
1	1	HRS.104	Pipe Cut Ø 13,0 mm x 1,5 mm, 46 mm
2	3	NMS.002	Hexagon Nut M 8, DIN 934
3	3	NSK.181	Hexagon Head Bolt M 8 x 110 mm, DIN 931
4	6	NUS.018	Washer A 8,4 mm x 24 mm x 2,0 mm
5	1	TSE.184.N1	Hose Retainer 2 mm 1.0038
6	2	TSE0011	Pipe Cut Ø 51,0 mm x 2,6 mm, 46 mm

Hose Guide  
Canted, DN 40

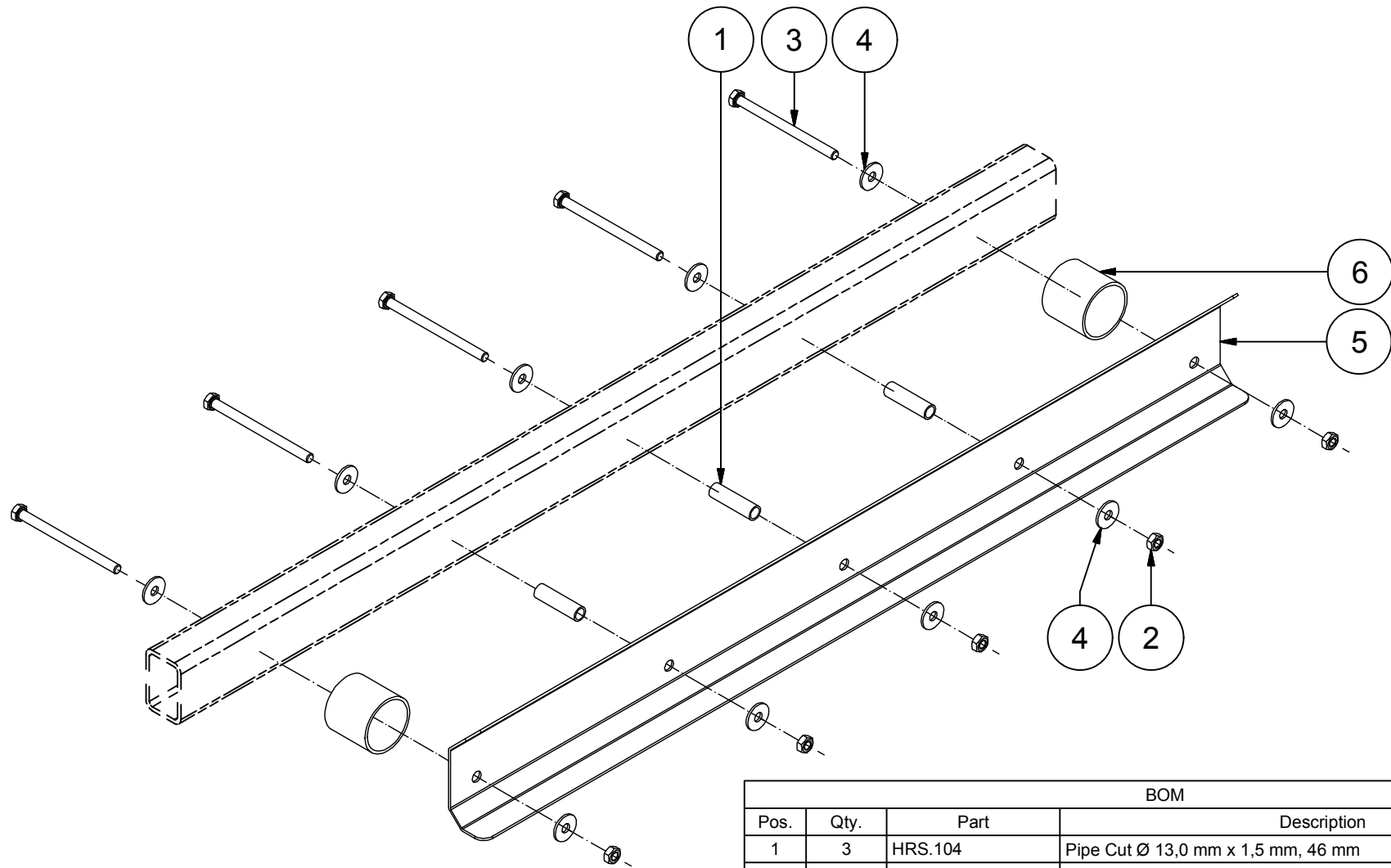
B

TSE427

**VOGELSANG**



© Hugo Vogelsang Maschinenbau GmbH.



BOM			
Pos.	Qty.	Part	Description
1	3	HRS.104	Pipe Cut Ø 13,0 mm x 1,5 mm, 46 mm
2	5	NMS.002	Hexagon Nut M 8, DIN 934
3	5	NSK.181	Hexagon Head Bolt M 8 x 110 mm, DIN 931
4	10	NUS.018	Washer A 8,4 mm x 24 mm x 2,0 mm
5	1	TSE.070.N1	Hose Retainer 2 mm 1.0038
6	2	TSE0011	Pipe Cut Ø 51,0 mm x 2,6 mm, 46 mm

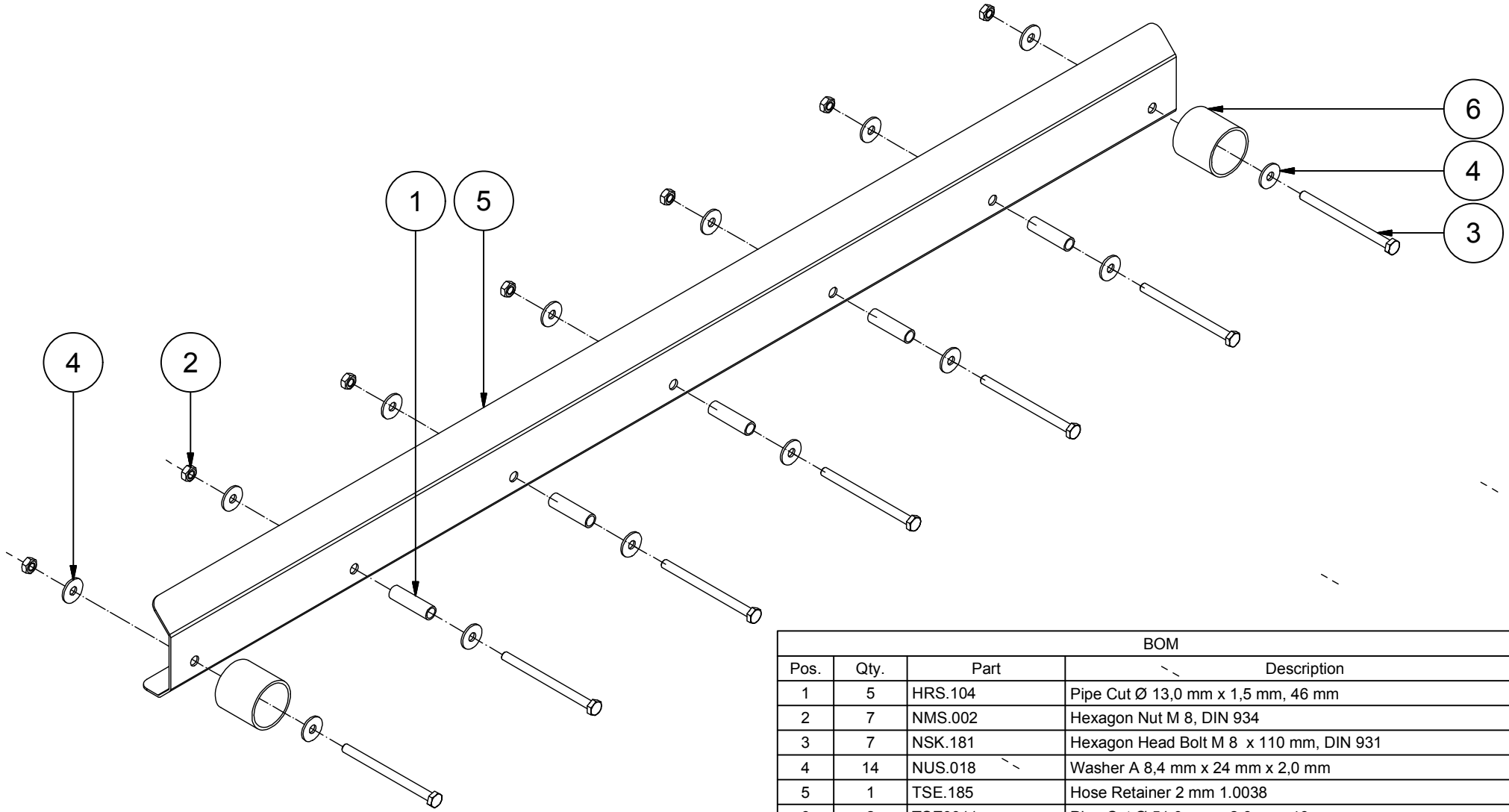
Hose Guide  
Canted, DN 40

A



TSE428

**VOGELSANG**





BOM			
Pos.	Qty.	Part	Description
1	5	HRS.104	Pipe Cut Ø 13,0 mm x 1,5 mm, 46 mm
2	7	NMS.002	Hexagon Nut M 8, DIN 934
3	7	NSK.181	Hexagon Head Bolt M 8 x 110 mm, DIN 931
4	14	NUS.018	Washer A 8,4 mm x 24 mm x 2,0 mm
5	1	TSE.185	Hose Retainer 2 mm 1.0038
6	2	TSE0011	Pipe Cut Ø 51,0 mm x 2,6 mm, 46 mm

Hose Guide Canted, DN 40	A	 
	TSE180.M	

2



1

4

BOM			
Pos.	Qty.	Part	Description
1	6	HRS.104	Pipe Cut Ø 13,0 mm x 1,5 mm, 46 mm
2	2	NMK.004	Hexagon Nut M 8, DIN 985
3	2	NSK.198	Hexagon Head Bolt M 8 x 240 mm, DIN 931
4	3	RFL.621	Hose Retainer 378 mm

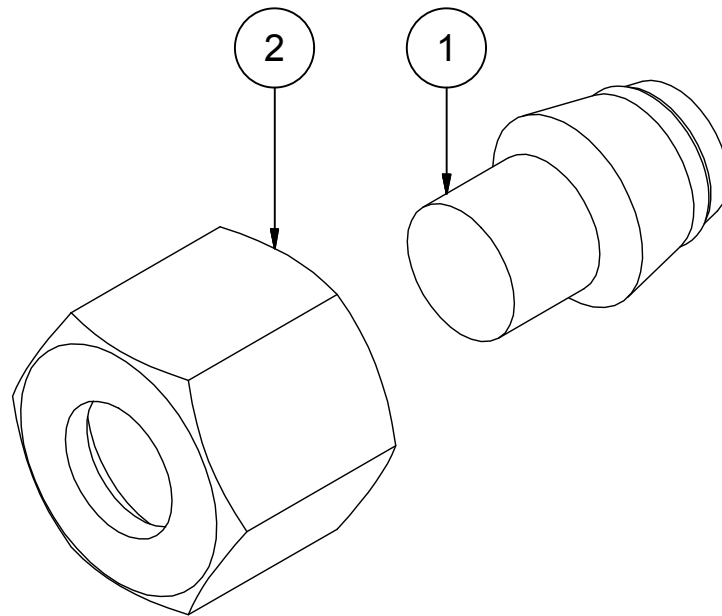
Hose Guide  
Flat, DN 40

B

TSE114

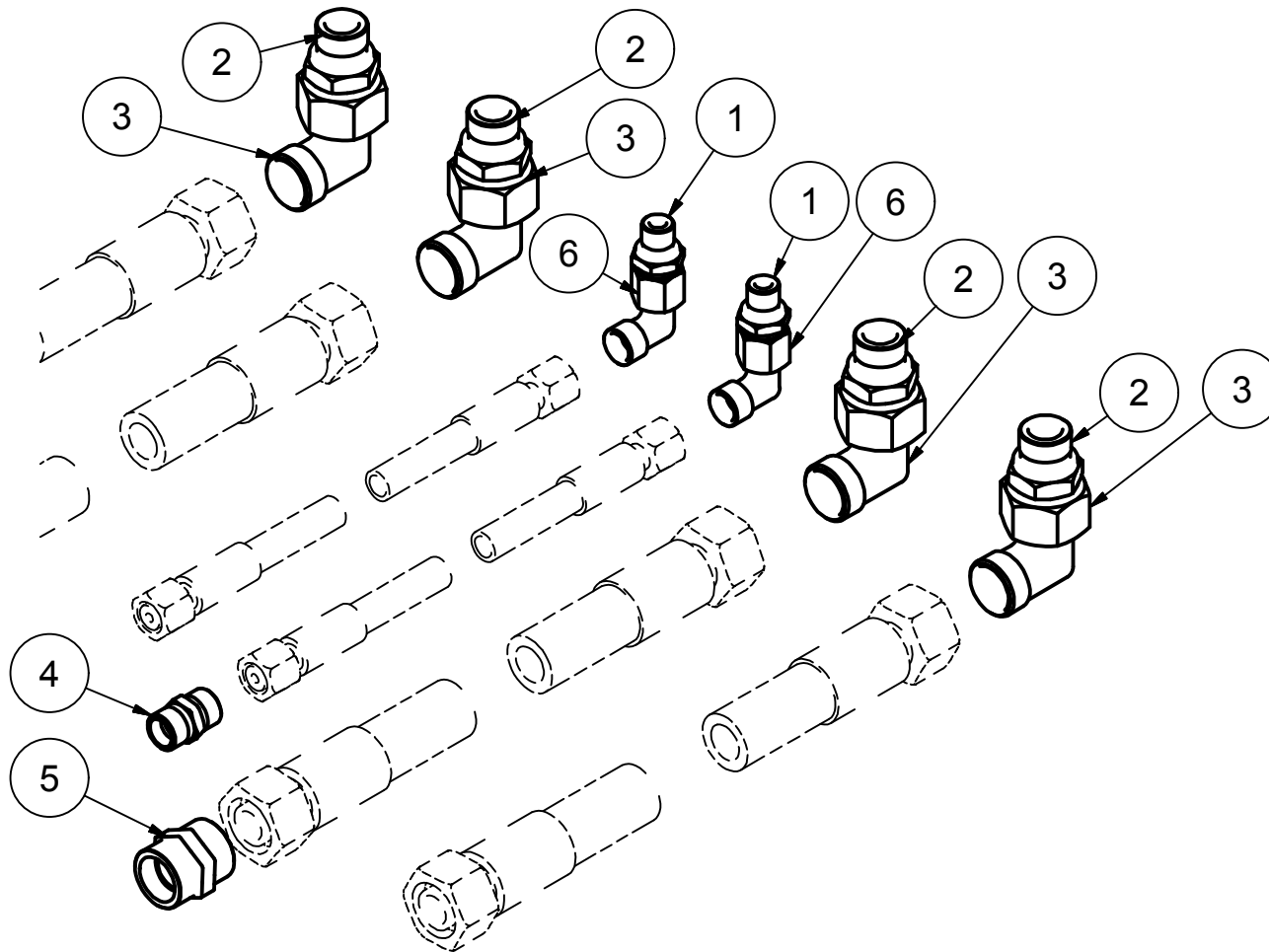
**VOGELSANG**





BOM			
Pos.	Qty.	Part	Description
1	1	NGE.081	Plug 10L/S
2	1	NGE.107	Lock Nut M 16 x 1,5 mm, DIN 3870

Hydraulic Parts SwingMax3	A	
	TE-0130	



BOM			
Pos.	Qty.	Part	Description
1	2	NGE.003	Screw-In Fitting Straight 10 L - 1/4 inch
2	4	NGE.010	Screw-In Fitting Straight 18 L - 1/2 inch
3	4	NGE.019	Connection Fitting Angle
4	1	NGE.043	Connection Fitting Straight
5	1	NGE.046	Connection Fitting Straight
6	2	NWE.003	Connection Fitting Angle

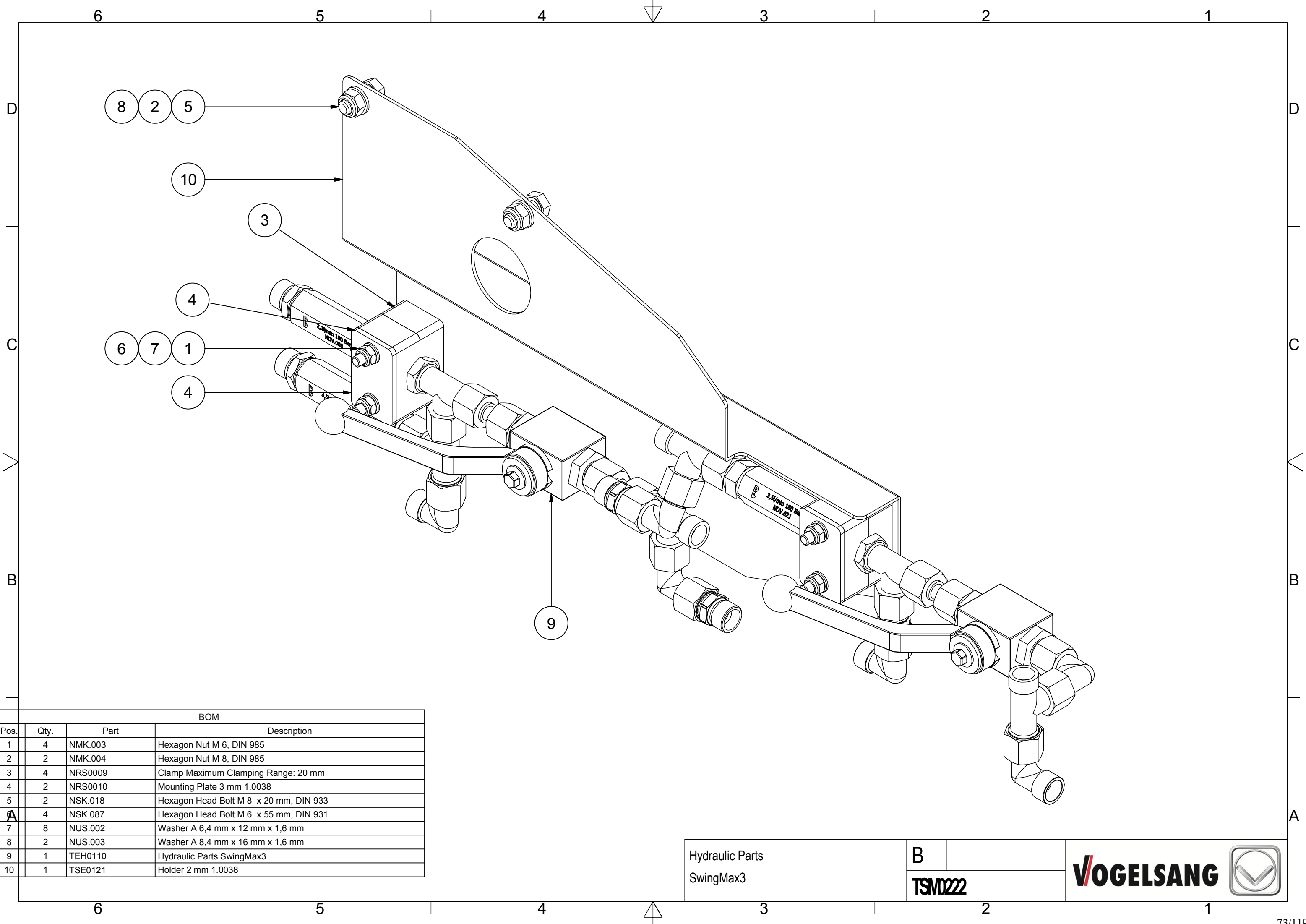
Laut HGB darf diese Zeichnung ohne unsere Genehmigung weder vervielfältigt noch dritten Personen oder gar Wettbewerbsfirmen zugänglich gemacht werden.

Hugo Vogelsang  
Maschinenbau GmbH

Hydraulic Parts	D	
	TEH-0016	







BOM

Pos.	Qty.	Part	Description
1	4	NMK.003	Hexagon Nut M 6, DIN 985
2	2	NMK.004	Hexagon Nut M 8, DIN 985
3	4	NRS0009	Clamp Maximum Clamping Range: 20 mm
4	2	NRS0010	Mounting Plate 3 mm 1.0038
5	2	NSK.018	Hexagon Head Bolt M 8 x 20 mm, DIN 933
6	4	NSK.087	Hexagon Head Bolt M 6 x 55 mm, DIN 931
7	8	NUS.002	Washer A 6,4 mm x 12 mm x 1,6 mm
8	2	NUS.003	Washer A 8,4 mm x 16 mm x 1,6 mm
9	1	TEH0110	Hydraulic Parts SwingMax3
10	1	TSE0121	Holder 2 mm 1.0038

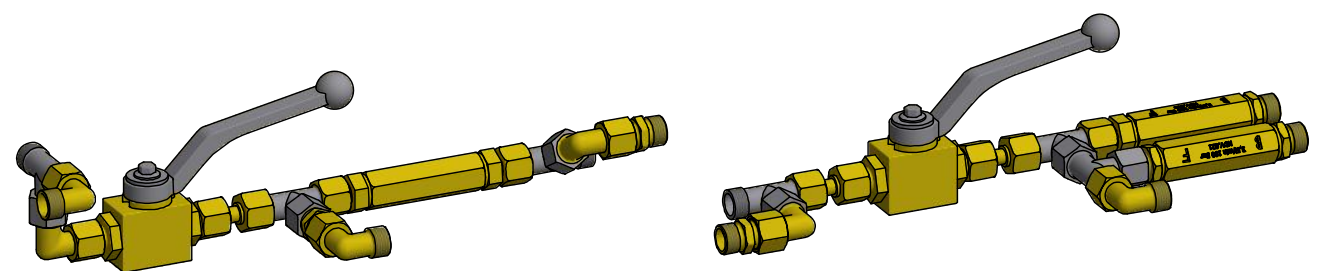
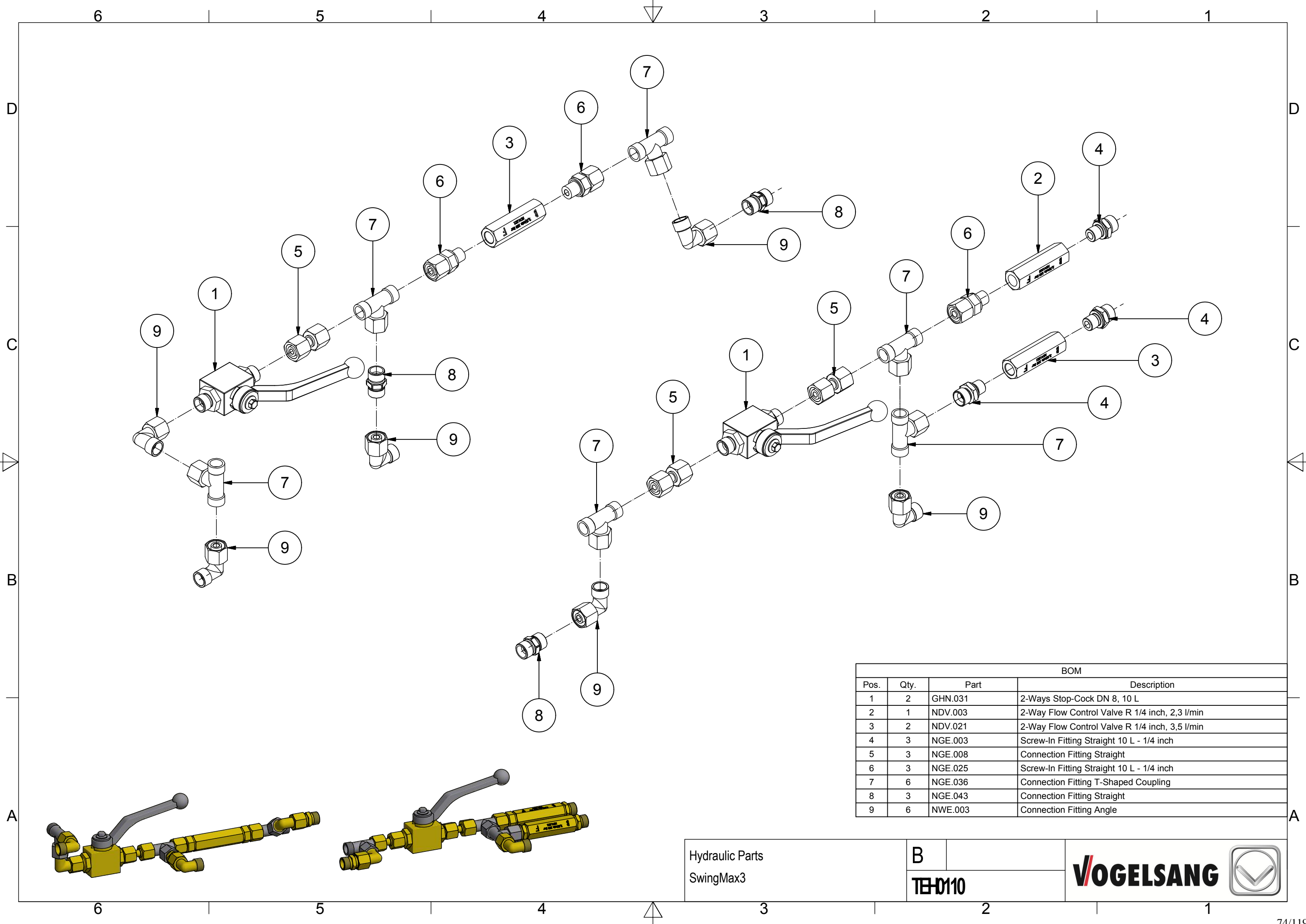
Hydraulic Parts  
SwingMax3

B

TSM0222

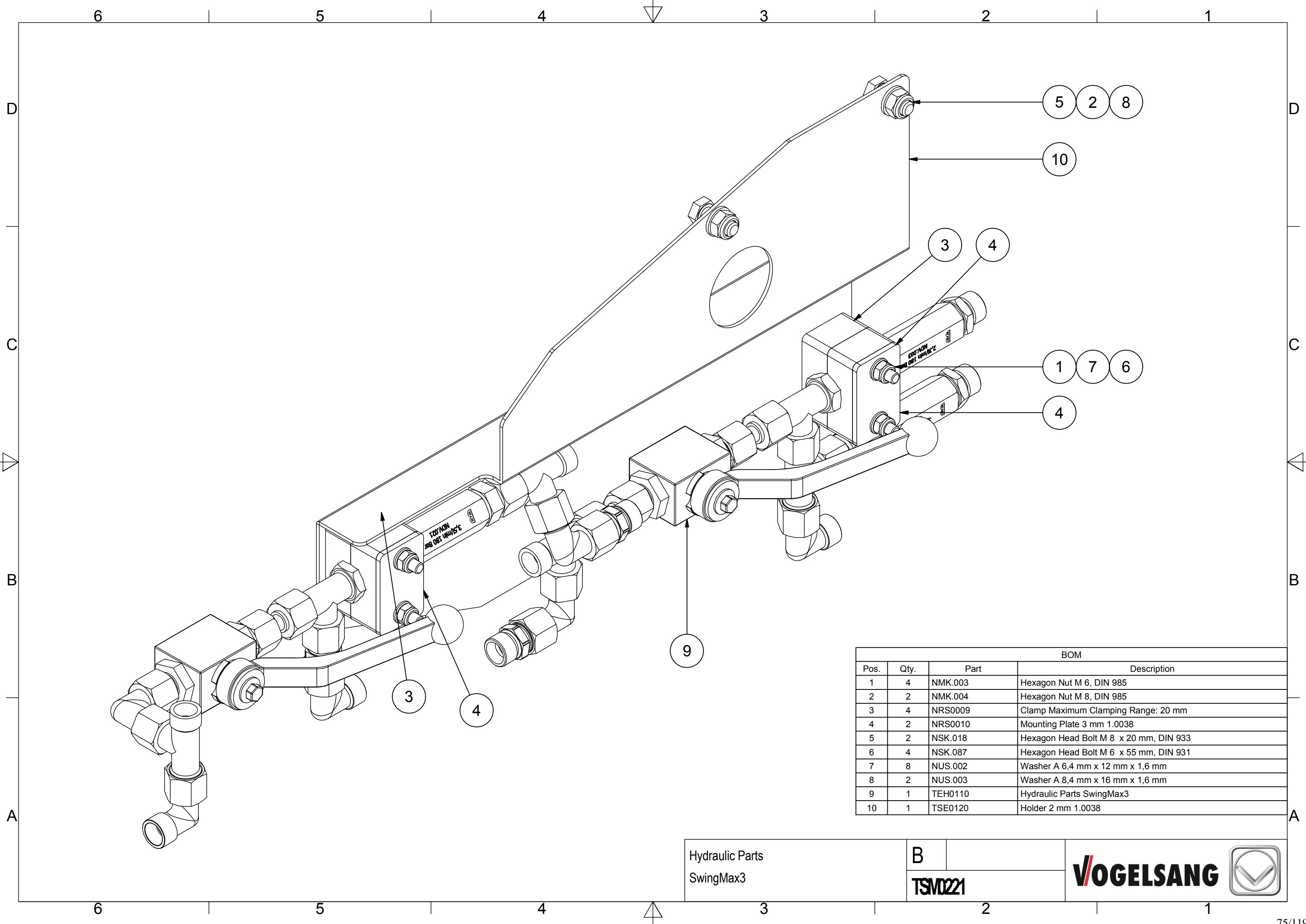
**VOGELSANG**





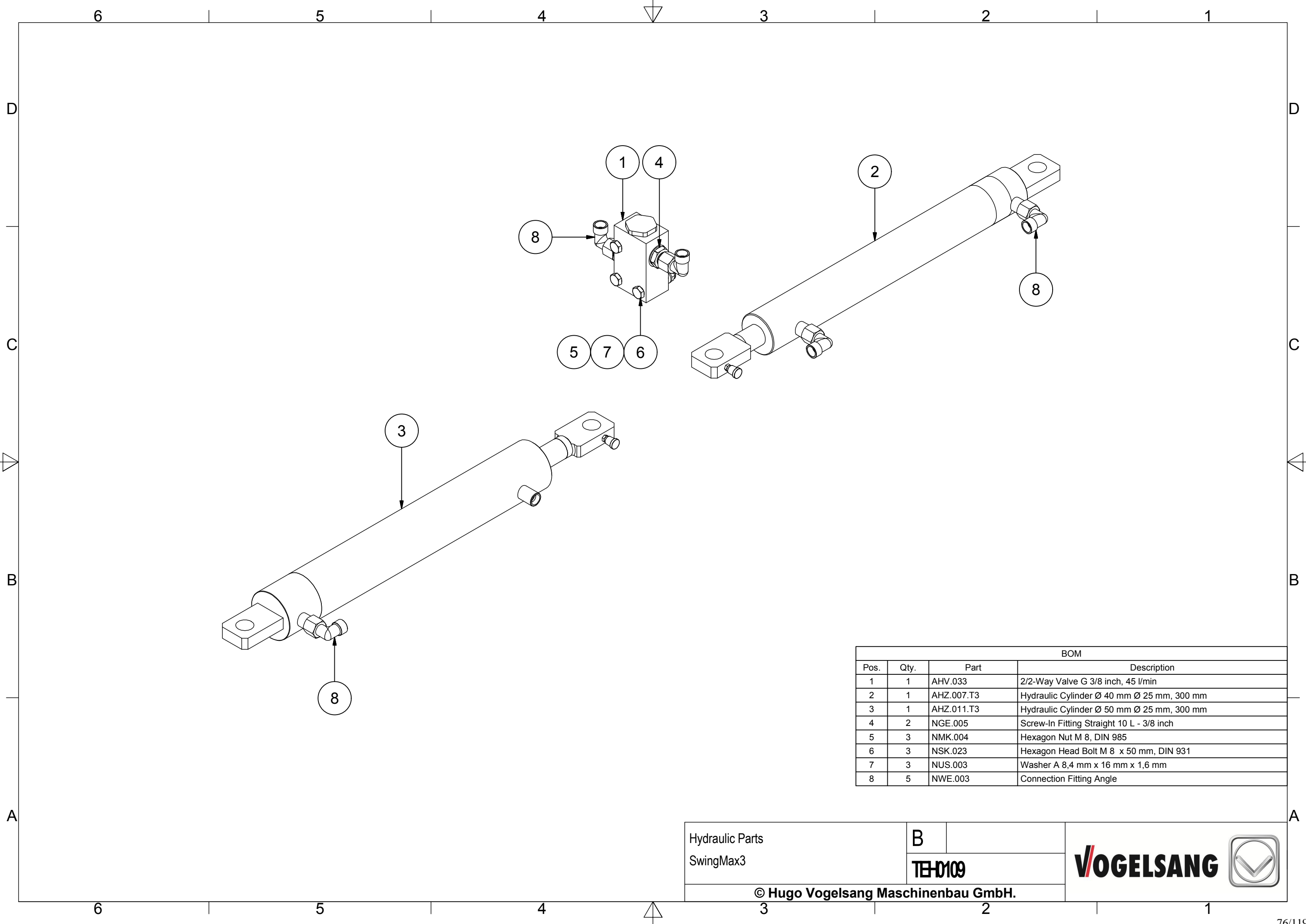
BOM			
Pos.	Qty.	Part	Description
1	2	GHN.031	2-Ways Stop-Cock DN 8, 10 L
2	1	NDV.003	2-Way Flow Control Valve R 1/4 inch, 2,3 l/min
3	2	NDV.021	2-Way Flow Control Valve R 1/4 inch, 3,5 l/min
4	3	NGE.003	Screw-In Fitting Straight 10 L - 1/4 inch
5	3	NGE.008	Connection Fitting Straight
6	3	NGE.025	Screw-In Fitting Straight 10 L - 1/4 inch
7	6	NGE.036	Connection Fitting T-Shaped Coupling
8	3	NGE.043	Connection Fitting Straight
9	6	NWE.003	Connection Fitting Angle

Hydraulic Parts SwingMax3	B	
	TEH010	




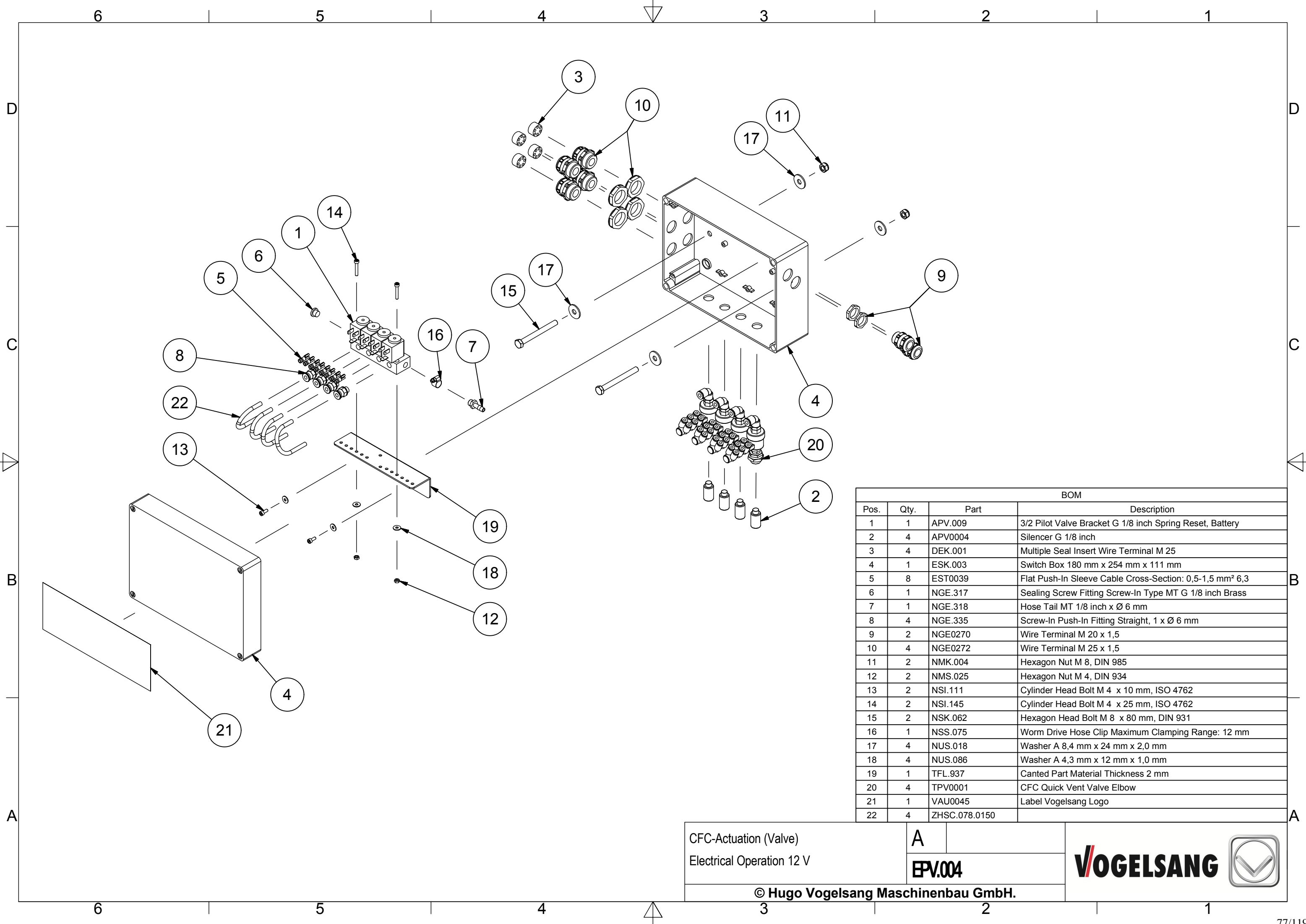
BOM			
Pos.	Qty.	Part	Description
1	4	NMK.003	Hexagon Nut M 6, DIN 985
2	2	NMK.004	Hexagon Nut M 8, DIN 985
3	4	NRS0009	Clamp Maximum Clamping Range: 20 mm
4	2	NRS0010	Mounting Plate 3 mm 1.0038
5	2	NSK.018	Hexagon Head Bolt M 8 x 20 mm, DIN 933
6	4	NSK.087	Hexagon Head Bolt M 6 x 55 mm, DIN 931
7	8	NUS.002	Washer A 6,4 mm x 12 mm x 1,6 mm
8	2	NUS.003	Washer A 8,4 mm x 16 mm x 1,6 mm
9	1	TEH0110	Hydraulic Parts SwingMax3
10	1	TSE0120	Holder 2 mm 1.0038

Hydraulic Parts SwingMax3	B	
	TSM0221	




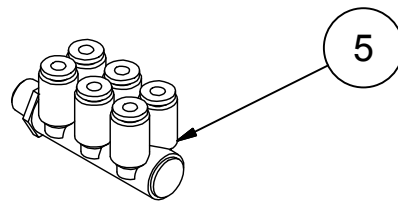
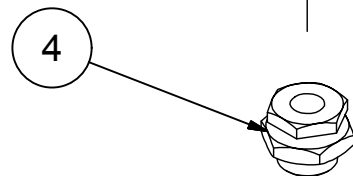
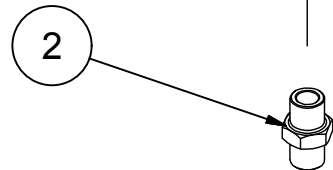
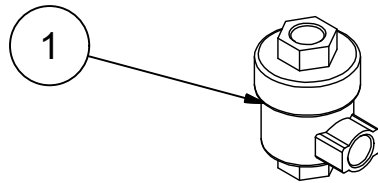
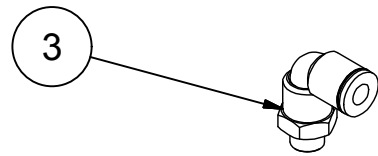
BOM			
Pos.	Qty.	Part	Description
1	1	AHV.033	2/2-Way Valve G 3/8 inch, 45 l/min
2	1	AHZ.007.T3	Hydraulic Cylinder Ø 40 mm Ø 25 mm, 300 mm
3	1	AHZ.011.T3	Hydraulic Cylinder Ø 50 mm Ø 25 mm, 300 mm
4	2	NGE.005	Screw-In Fitting Straight 10 L - 3/8 inch
5	3	NMK.004	Hexagon Nut M 8, DIN 985
6	3	NSK.023	Hexagon Head Bolt M 8 x 50 mm, DIN 931
7	3	NUS.003	Washer A 8,4 mm x 16 mm x 1,6 mm
8	5	NWE.003	Connection Fitting Angle

Hydraulic Parts SwingMax3	B	
	TEH109	
© Hugo Vogelsang Maschinenbau GmbH.		



BOM			
Pos.	Qty.	Part	Description
1	1	APV.009	3/2 Pilot Valve Bracket G 1/8 inch Spring Reset, Battery
2	4	APV0004	Silencer G 1/8 inch
3	4	DEK.001	Multiple Seal Insert Wire Terminal M 25
4	1	ESK.003	Switch Box 180 mm x 254 mm x 111 mm
5	8	EST0039	Flat Push-In Sleeve Cable Cross-Section: 0,5-1,5 mm <sup>2</sup> 6,3
6	1	NGE.317	Sealing Screw Fitting Screw-In Type MT G 1/8 inch Brass
7	1	NGE.318	Hose Tail MT 1/8 inch x Ø 6 mm
8	4	NGE.335	Screw-In Push-In Fitting Straight, 1 x Ø 6 mm
9	2	NGE0270	Wire Terminal M 20 x 1,5
10	4	NGE0272	Wire Terminal M 25 x 1,5
11	2	NMK.004	Hexagon Nut M 8, DIN 985
12	2	NMS.025	Hexagon Nut M 4, DIN 934
13	2	NSI.111	Cylinder Head Bolt M 4 x 10 mm, ISO 4762
14	2	NSI.145	Cylinder Head Bolt M 4 x 25 mm, ISO 4762
15	2	NSK.062	Hexagon Head Bolt M 8 x 80 mm, DIN 931
16	1	NSS.075	Worm Drive Hose Clip Maximum Clamping Range: 12 mm
17	4	NUS.018	Washer A 8,4 mm x 24 mm x 2,0 mm
18	4	NUS.086	Washer A 4,3 mm x 12 mm x 1,0 mm
19	1	TFL.937	Canted Part Material Thickness 2 mm
20	4	TPV0001	CFC Quick Vent Valve Elbow
21	1	VAU0045	Label Vogelsang Logo
22	4	ZHSC.078.0150	

CFC-Actuation (Valve) Electrical Operation 12 V	A	
	EPV.004	
© Hugo Vogelsang Maschinenbau GmbH.		



BOM			
Pos.	Qty.	Part	Description
1	1	NGE.356	Quick Vent Valve 1/8 inch, 6 bar,
2	1	NGE.357	Double Nipple MT R 1/8 inch MT R 1/8 inch
3	1	NGE.358	Screw-In Push-In Fitting Angle, 1 x Ø 6 mm
4	1	NGE.360	Socket - Partition FT G 1/8 inch MT M 16 x 1,5
5	1	NGE0008	Screw-In Push-In Fitting Angle, 6 x Ø 4 mm

CFC Quick Vent Valve  
Elbow

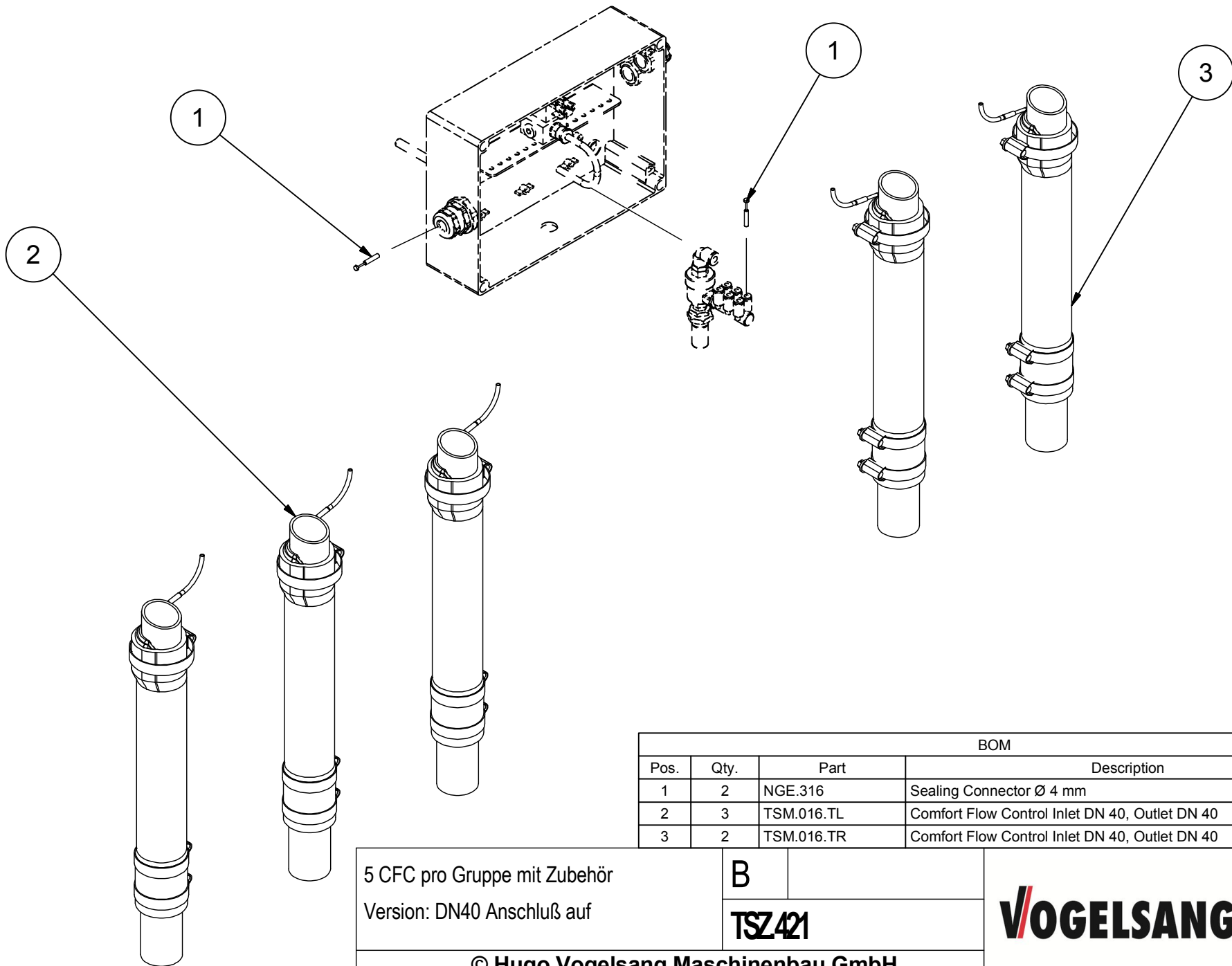
A

TPV0001

© Hugo Vogelsang Maschinenbau GmbH.

**VOGELSANG**





BOM			
Pos.	Qty.	Part	Description
1	2	NGE.316	Sealing Connector Ø 4 mm
2	3	TSM.016.TL	Comfort Flow Control Inlet DN 40, Outlet DN 40
3	2	TSM.016.TR	Comfort Flow Control Inlet DN 40, Outlet DN 40

5 CFC pro Gruppe mit Zubehör  
 Version: DN40 Anschluß auf

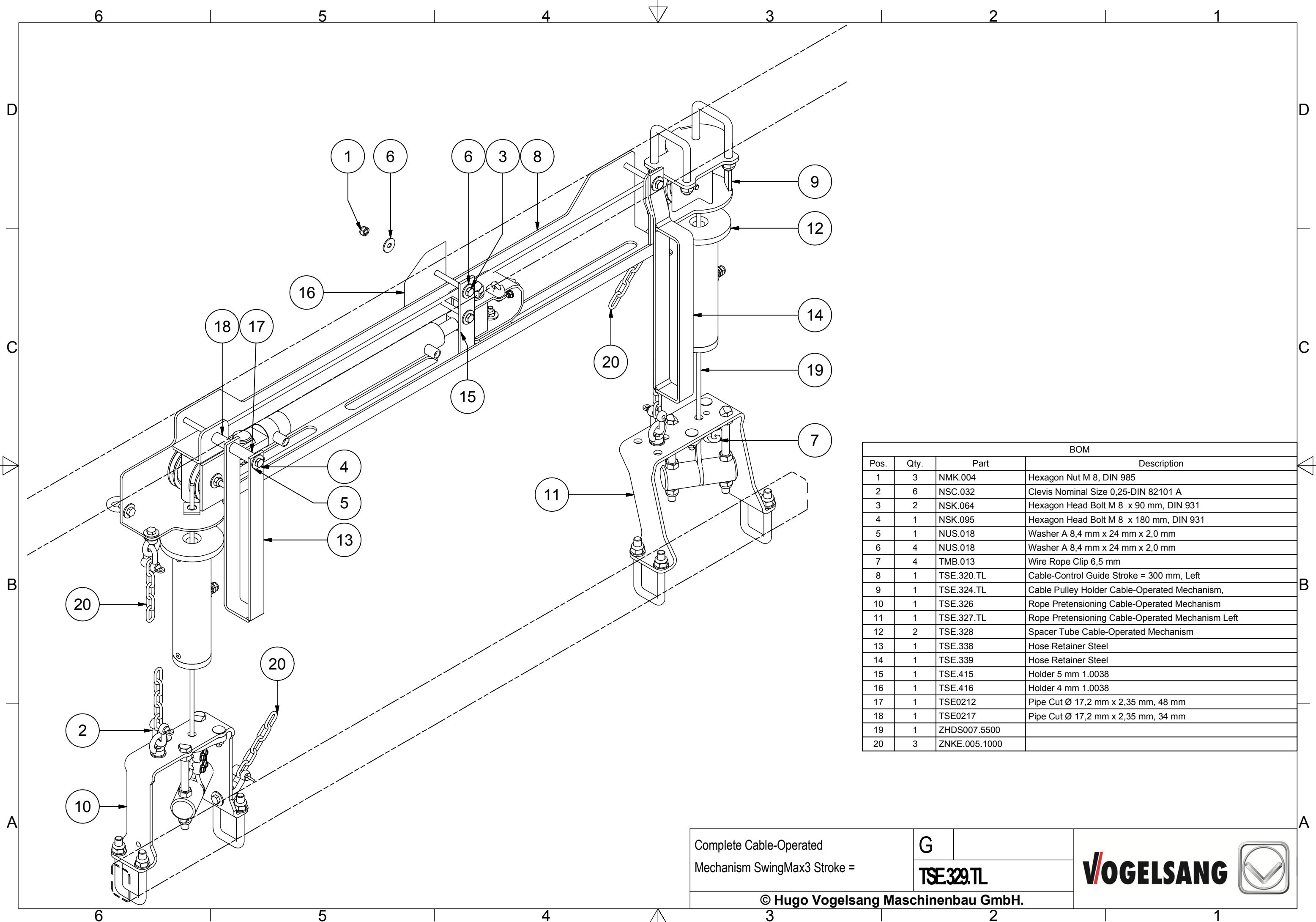
B

**TSZ421**

**VOGELSANG**



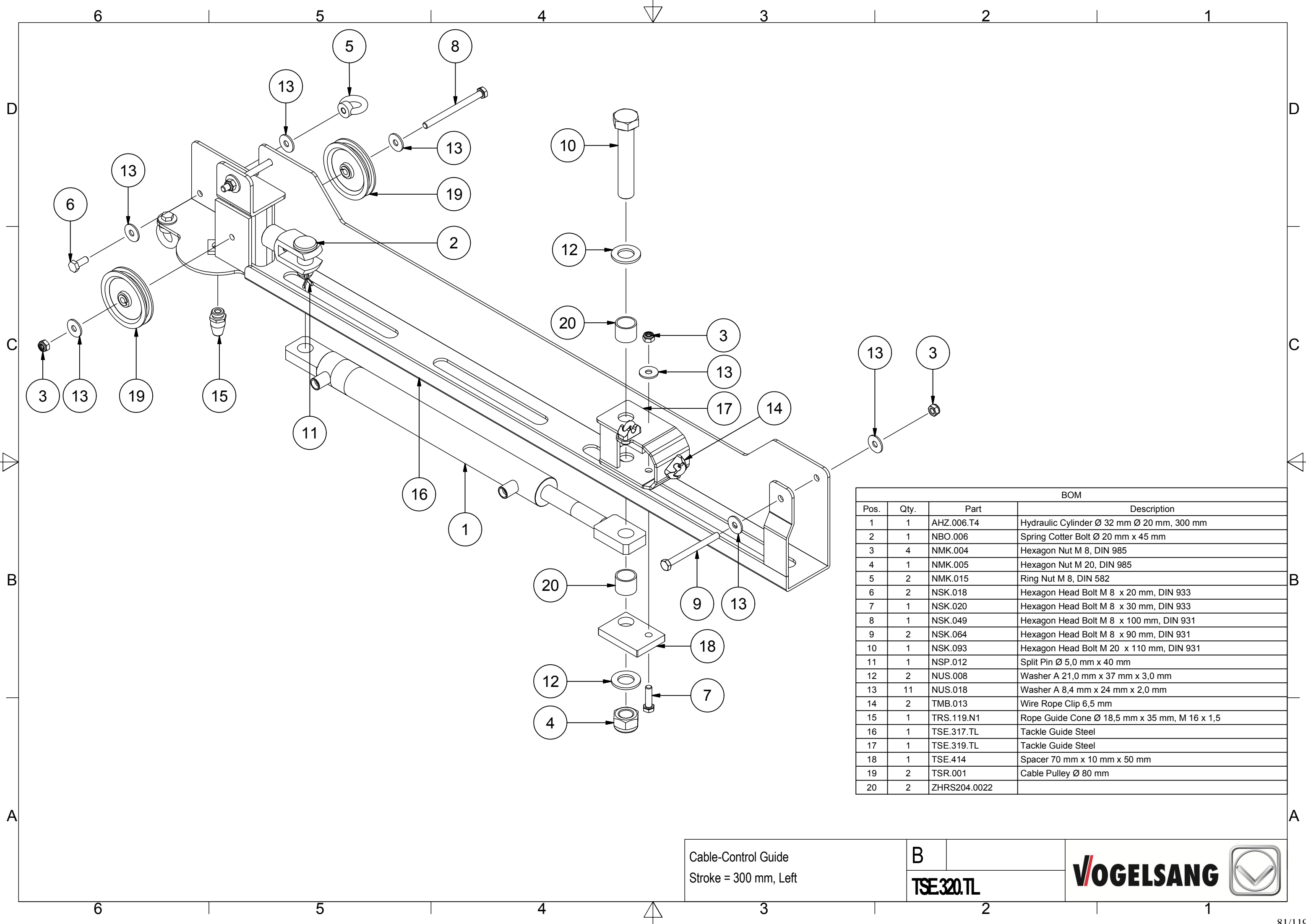
© Hugo Vogelsang Maschinenbau GmbH.



BOM			
Pos.	Qty.	Part	Description
1	3	NMK.004	Hexagon Nut M 8, DIN 985
2	6	NSC.032	Clevis Nominal Size 0,25-DIN 82101 A
3	2	NSK.064	Hexagon Head Bolt M 8 x 90 mm, DIN 931
4	1	NSK.095	Hexagon Head Bolt M 8 x 180 mm, DIN 931
5	1	NUS.018	Washer A 8,4 mm x 24 mm x 2,0 mm
6	4	NUS.018	Washer A 8,4 mm x 24 mm x 2,0 mm
7	4	TMB.013	Wire Rope Clip 6,5 mm
8	1	TSE.320.TL	Cable-Control Guide Stroke = 300 mm, Left
9	1	TSE.324.TL	Cable Pulley Holder Cable-Operated Mechanism,
10	1	TSE.326	Rope Pretensioning Cable-Operated Mechanism
11	1	TSE.327.TL	Rope Pretensioning Cable-Operated Mechanism Left
12	2	TSE.328	Spacer Tube Cable-Operated Mechanism
13	1	TSE.338	Hose Retainer Steel
14	1	TSE.339	Hose Retainer Steel
15	1	TSE.415	Holder 5 mm 1.0038
16	1	TSE.416	Holder 4 mm 1.0038
17	1	TSE0212	Pipe Cut Ø 17,2 mm x 2,35 mm, 48 mm
18	1	TSE0217	Pipe Cut Ø 17,2 mm x 2,35 mm, 34 mm
19	1	ZHDS007.5500	
20	3	ZNKE.005.1000	

Complete Cable-Operated Mechanism SwingMax3 Stroke =	G	
	TSE.329.TL	
© Hugo Vogelsang Maschinenbau GmbH.		



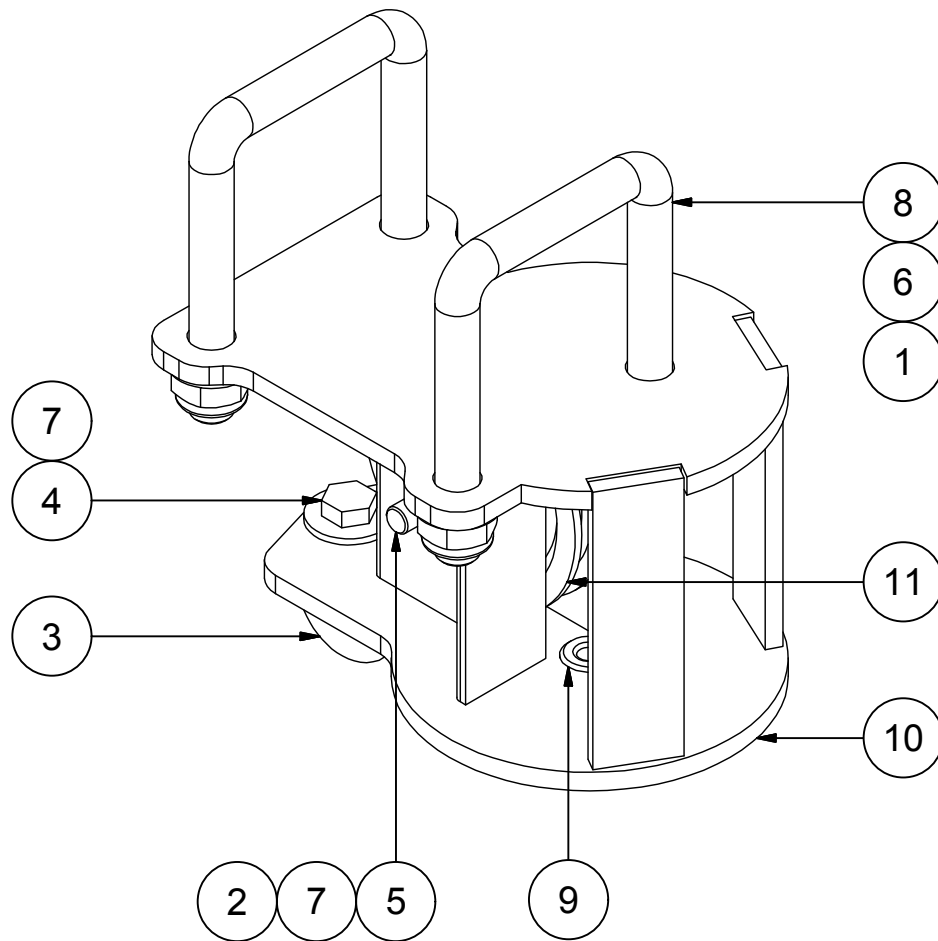


BOM			
Pos.	Qty.	Part	Description
1	1	AHZ.006.T4	Hydraulic Cylinder Ø 32 mm Ø 20 mm, 300 mm
2	1	NBO.006	Spring Cotter Bolt Ø 20 mm x 45 mm
3	4	NMK.004	Hexagon Nut M 8, DIN 985
4	1	NMK.005	Hexagon Nut M 20, DIN 985
5	2	NMK.015	Ring Nut M 8, DIN 582
6	2	NSK.018	Hexagon Head Bolt M 8 x 20 mm, DIN 933
7	1	NSK.020	Hexagon Head Bolt M 8 x 30 mm, DIN 933
8	1	NSK.049	Hexagon Head Bolt M 8 x 100 mm, DIN 931
9	2	NSK.064	Hexagon Head Bolt M 8 x 90 mm, DIN 931
10	1	NSK.093	Hexagon Head Bolt M 20 x 110 mm, DIN 931
11	1	NSP.012	Split Pin Ø 5,0 mm x 40 mm
12	2	NUS.008	Washer A 21,0 mm x 37 mm x 3,0 mm
13	11	NUS.018	Washer A 8,4 mm x 24 mm x 2,0 mm
14	2	TMB.013	Wire Rope Clip 6,5 mm
15	1	TRS.119.N1	Rope Guide Cone Ø 18,5 mm x 35 mm, M 16 x 1,5
16	1	TSE.317.TL	Tackle Guide Steel
17	1	TSE.319.TL	Tackle Guide Steel
18	1	TSE.414	Spacer 70 mm x 10 mm x 50 mm
19	2	TSR.001	Cable Pulley Ø 80 mm
20	2	ZHRS204.0022	

Cable-Control Guide  
Stroke = 300 mm, Left

B  
TSE320.TL





BOM			
Pos.	Qty.	Part	Description
1	4	NMK.002	Hexagon Nut M 12, DIN 985
2	1	NMK.004	Hexagon Nut M 8, DIN 985
3	1	NMK.015	Ring Nut M 8, DIN 582
4	1	NSK.018	Hexagon Head Bolt M 8 x 20 mm, DIN 933
5	1	NSK.023	Hexagon Head Bolt M 8 x 50 mm, DIN 931
6	4	NUS.005	Washer A 13,0 mm x 24 mm x 2,5 mm
7	4	NUS.018	Washer A 8,4 mm x 24 mm x 2,0 mm
8	2	THA.032	Rectangular Bracket M 12 60 mm x 85 mm, 30 mm
9	1	TRS.119.N1	Rope Guide Cone Ø 18,5 mm x 35 mm, M 16 x 1,5
10	1	TSE.318.TL	Cable Pulley Holder Steel
11	1	TSR.001	Cable Pulley Ø 80 mm

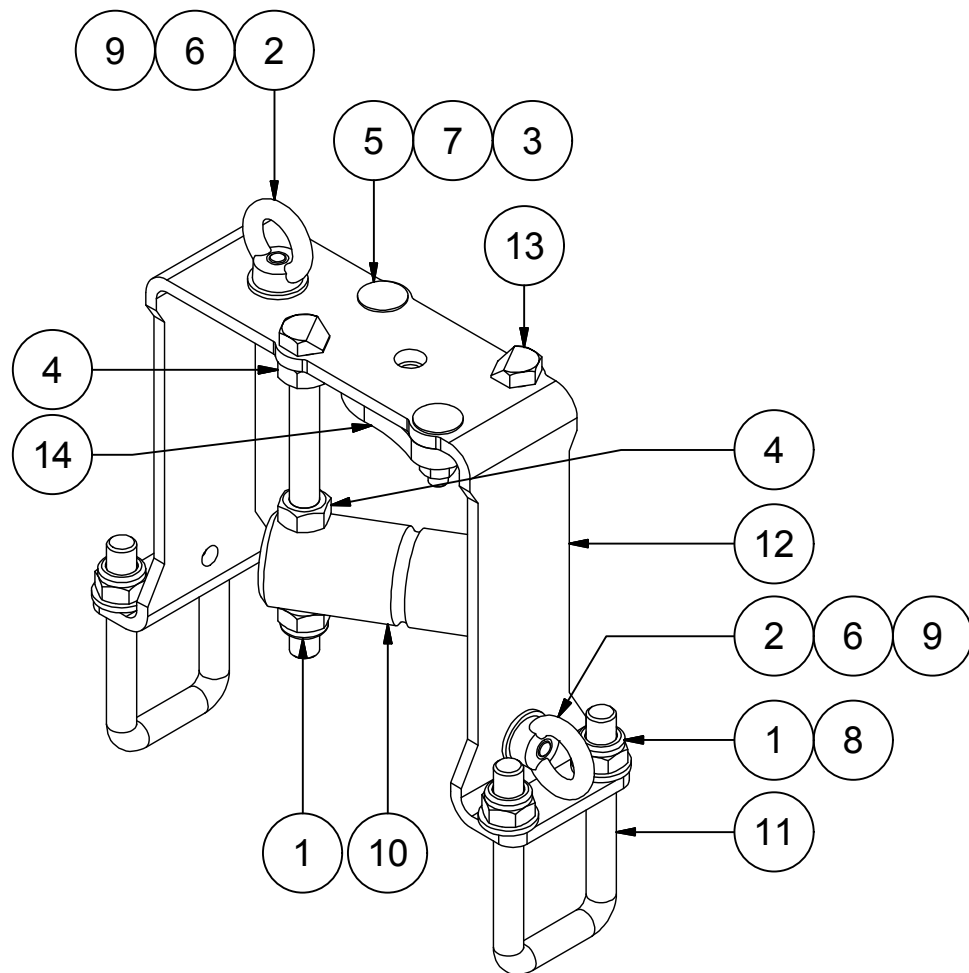
Cable Pulley Holder  
Cable-Operated Mechanism,

A

TSE324.TL

**VOGELSANG**





BOM			
Pos.	Qty.	Part	Description
1	6	NMK.002	Hexagon Nut M 12, DIN 985
2	2	NMK.015	Ring Nut M 8, DIN 582
3	2	NMS.002	Hexagon Nut M 8, DIN 934
4	4	NMS.004	Hexagon Nut M 12, DIN 934
5	2	NSC0006	Mushroom Head Bolt M 8 x 30 mm, DIN 603
6	2	NSK.018	Hexagon Head Bolt M 8 x 20 mm, DIN 933
7	2	NUS.003	Washer A 8,4 mm x 16 mm x 1,6 mm
8	4	NUS.005	Washer A 13,0 mm x 24 mm x 2,5 mm
9	4	NUS.018	Washer A 8,4 mm x 24 mm x 2,0 mm
10	1	PRS1903	Rope Guide Ø 40 mm, Length 116 mm
11	2	THA.034	Rectangular Bracket M 12 40 mm x 90 mm, 40 mm
12	1	TSE.204.N1	Holder 6 mm 1.0038
13	2	TSE.330	Hexagon Head Bolt M 12 x 150 mm,
14	1	TSE0415	Spacer 55 mm x 10 mm x 110 mm

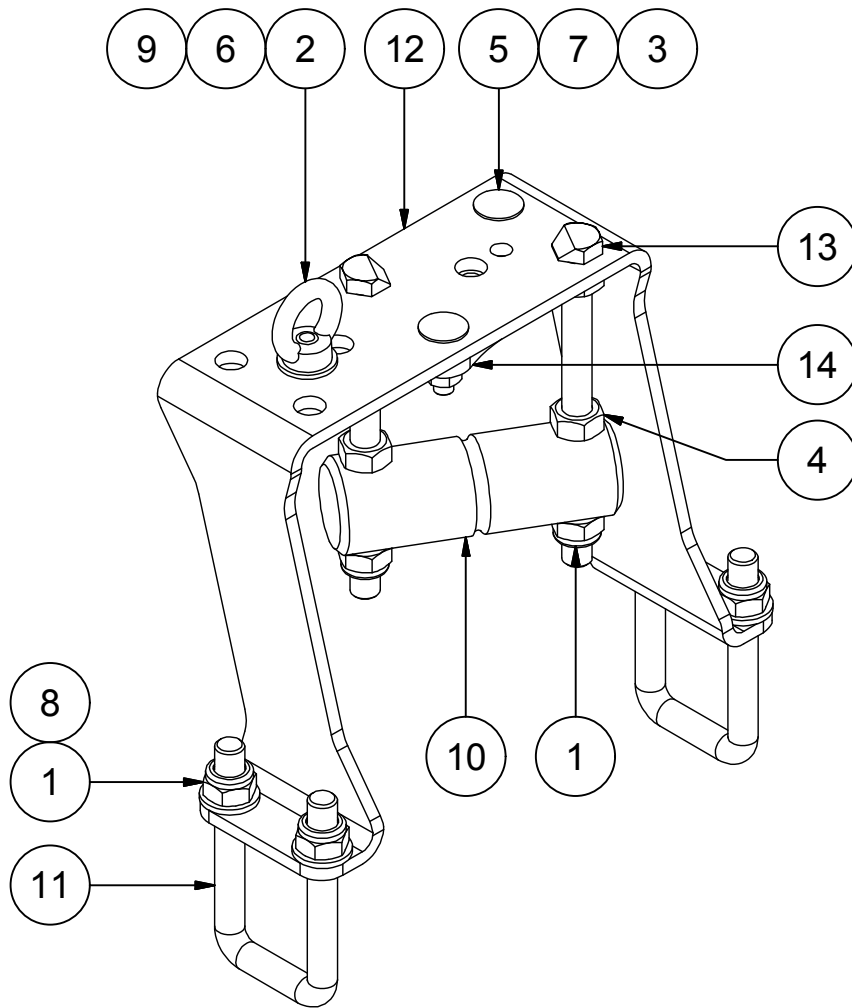
Rope Pretensioning  
Cable-Operated Mechanism

B

TSE326

**VOGELSANG**





BOM			
Pos.	Qty.	Part	Description
1	6	NMK.002	Hexagon Nut M 12, DIN 985
2	1	NMK.015	Ring Nut M 8, DIN 582
3	2	NMS.002	Hexagon Nut M 8, DIN 934
4	4	NMS.004	Hexagon Nut M 12, DIN 934
5	2	NSC0006	Mushroom Head Bolt M 8 x 30 mm, DIN 603
6	1	NSK.018	Hexagon Head Bolt M 8 x 20 mm, DIN 933
7	2	NUS.003	Washer A 8,4 mm x 16 mm x 1,6 mm
8	4	NUS.005	Washer A 13,0 mm x 24 mm x 2,5 mm
9	2	NUS.018	Washer A 8,4 mm x 24 mm x 2,0 mm
10	1	PRS1903	Rope Guide Ø 40 mm, Length 116 mm
11	2	THA.034	Rectangular Bracket M 12 40 mm x 90 mm, 40 mm
12	1	TSE.325	Holder 6 mm 1.0038
13	2	TSE.330	Hexagon Head Bolt M 12 x 150 mm,
14	1	TSE0415	Spacer 55 mm x 10 mm x 110 mm

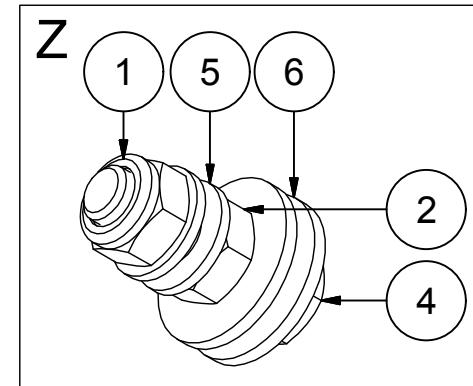
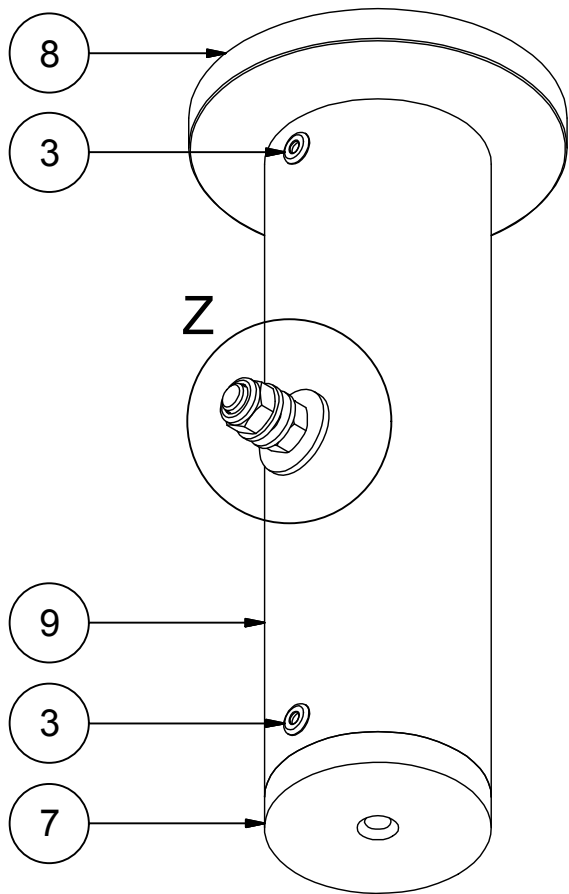
Rope Pretensioning  
Cable-Operated Mechanism Left

B



TSE327.TL

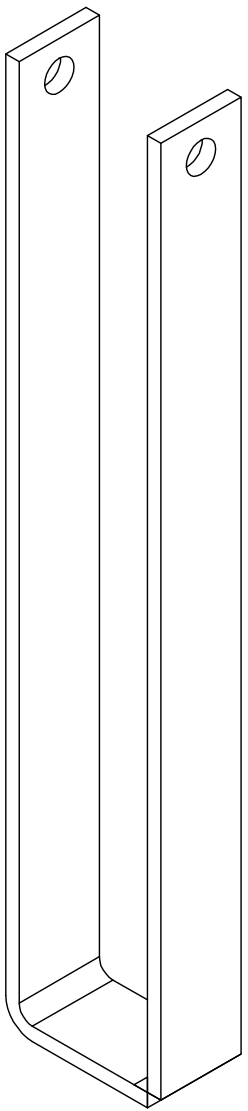
**VOGELSANG**




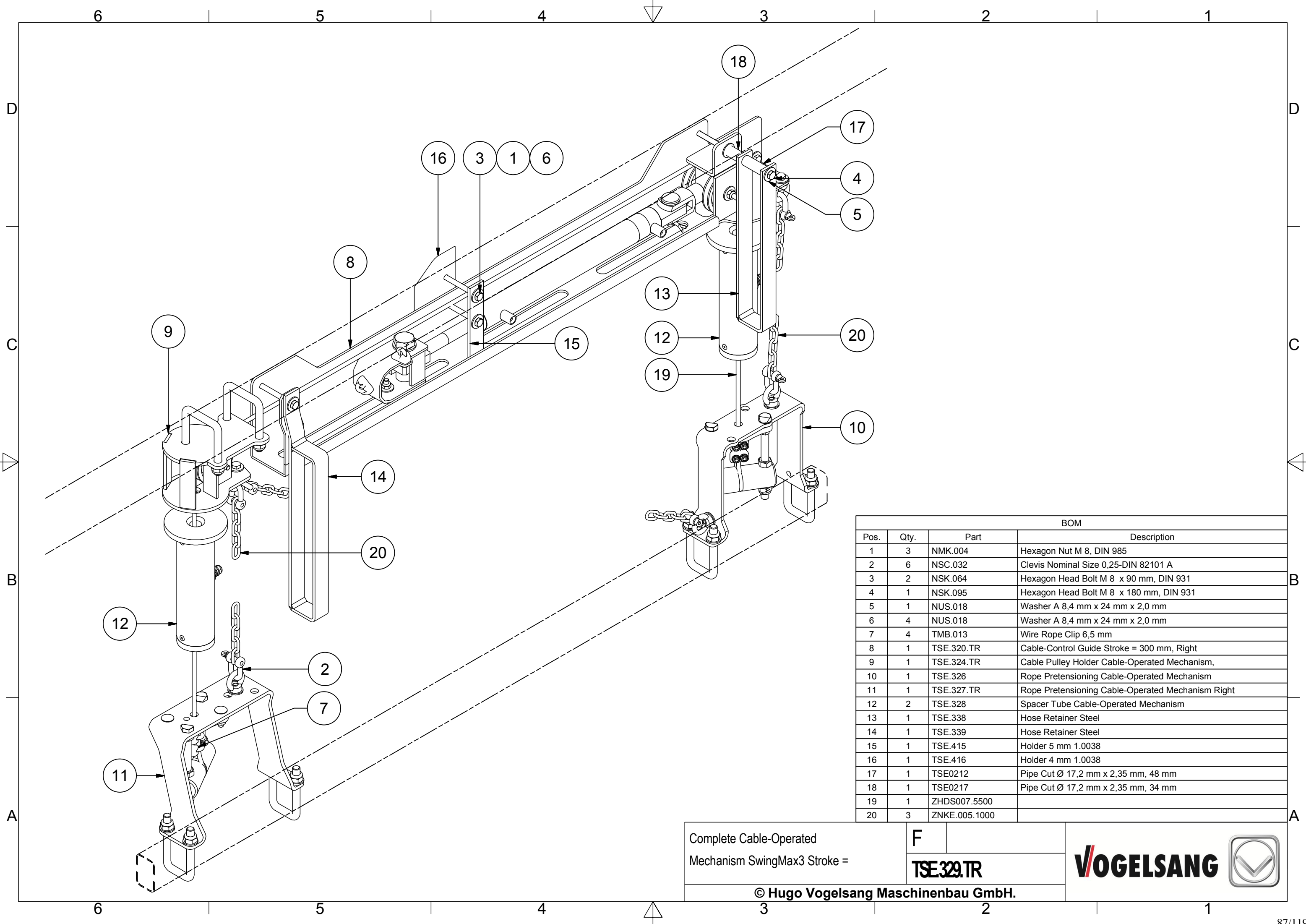


BOM			
Pos.	Qty.	Part	Description
1	1	NMK.004	Hexagon Nut M 8, DIN 985
2	1	NMS.002	Hexagon Nut M 8, DIN 934
3	4	NNI.008	Blind Rivet A Ø 5 mm x 10 mm
4	1	NSK.020	Hexagon Head Bolt M 8 x 30 mm, DIN 933
5	2	NUS.003	Washer A 8,4 mm x 16 mm x 1,6 mm
6	2	NUS.018	Washer A 8,4 mm x 24 mm x 2,0 mm
7	1	TRS.114.N1	Rope Guide Plug Ø 60 mm, Length 55 mm
8	1	TRS.114.T1.N1	Rope Guide Plug Ø 100 mm, Length 50 mm
9	1	ZHRS194.0205	

Spacer Tube Cable-Operated Mechanism	A	 
	TSE328	



Hose Retainer Steel	A	
	TSE338	<b>VOGELSANG</b> 



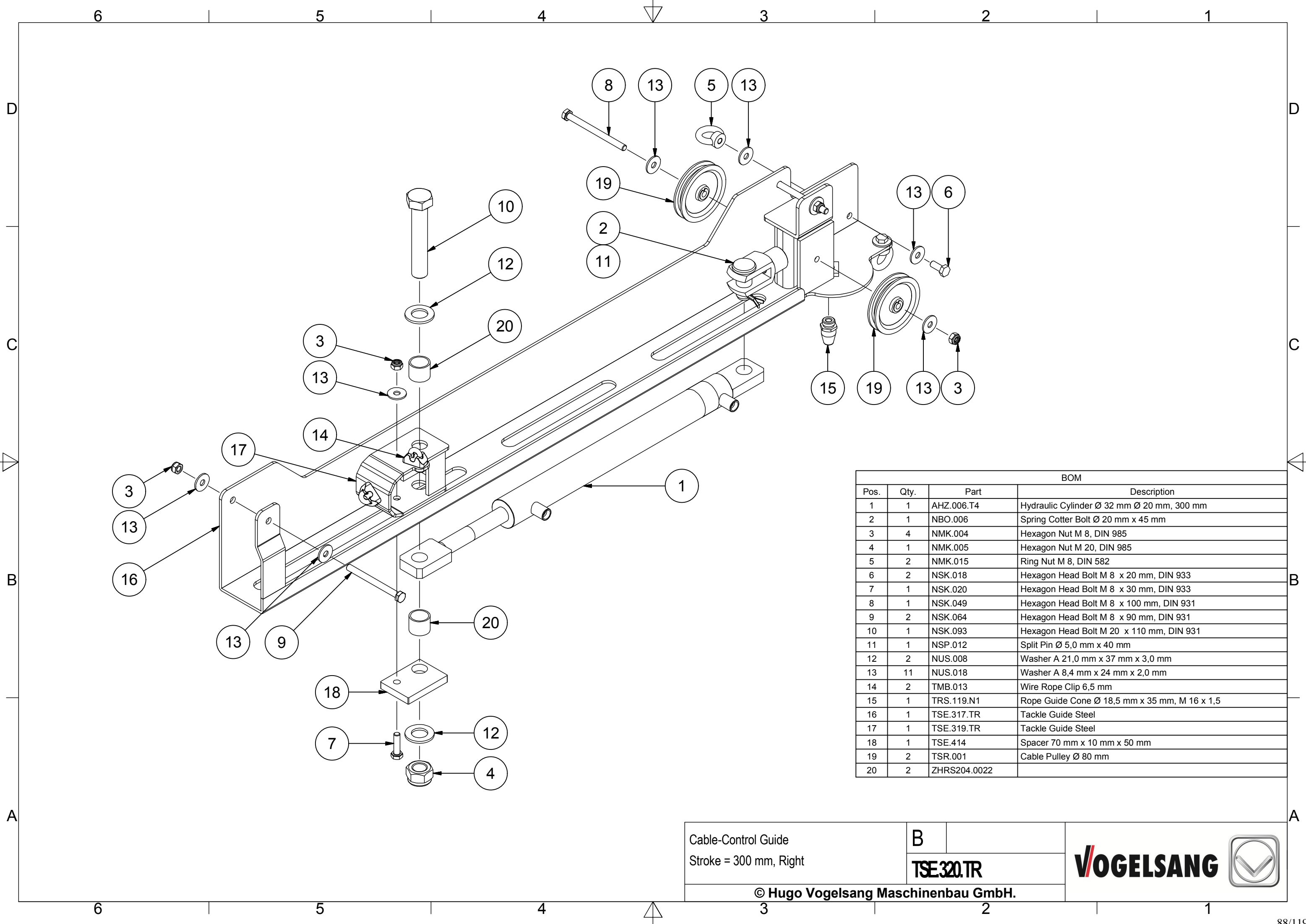
BOM			
Pos.	Qty.	Part	Description
1	3	NMK.004	Hexagon Nut M 8, DIN 985
2	6	NSC.032	Clevis Nominal Size 0,25-DIN 82101 A
3	2	NSK.064	Hexagon Head Bolt M 8 x 90 mm, DIN 931
4	1	NSK.095	Hexagon Head Bolt M 8 x 180 mm, DIN 931
5	1	NUS.018	Washer A 8,4 mm x 24 mm x 2,0 mm
6	4	NUS.018	Washer A 8,4 mm x 24 mm x 2,0 mm
7	4	TMB.013	Wire Rope Clip 6,5 mm
8	1	TSE.320.TR	Cable-Control Guide Stroke = 300 mm, Right
9	1	TSE.324.TR	Cable Pulley Holder Cable-Operated Mechanism,
10	1	TSE.326	Rope Pretensioning Cable-Operated Mechanism
11	1	TSE.327.TR	Rope Pretensioning Cable-Operated Mechanism Right
12	2	TSE.328	Spacer Tube Cable-Operated Mechanism
13	1	TSE.338	Hose Retainer Steel
14	1	TSE.339	Hose Retainer Steel
15	1	TSE.415	Holder 5 mm 1.0038
16	1	TSE.416	Holder 4 mm 1.0038
17	1	TSE0212	Pipe Cut Ø 17,2 mm x 2,35 mm, 48 mm
18	1	TSE0217	Pipe Cut Ø 17,2 mm x 2,35 mm, 34 mm
19	1	ZHDS007.5500	
20	3	ZNKE.005.1000	

Complete Cable-Operated  
Mechanism SwingMax3 Stroke =



**F**  
**TSE.329.TR**

**VOGELANG**

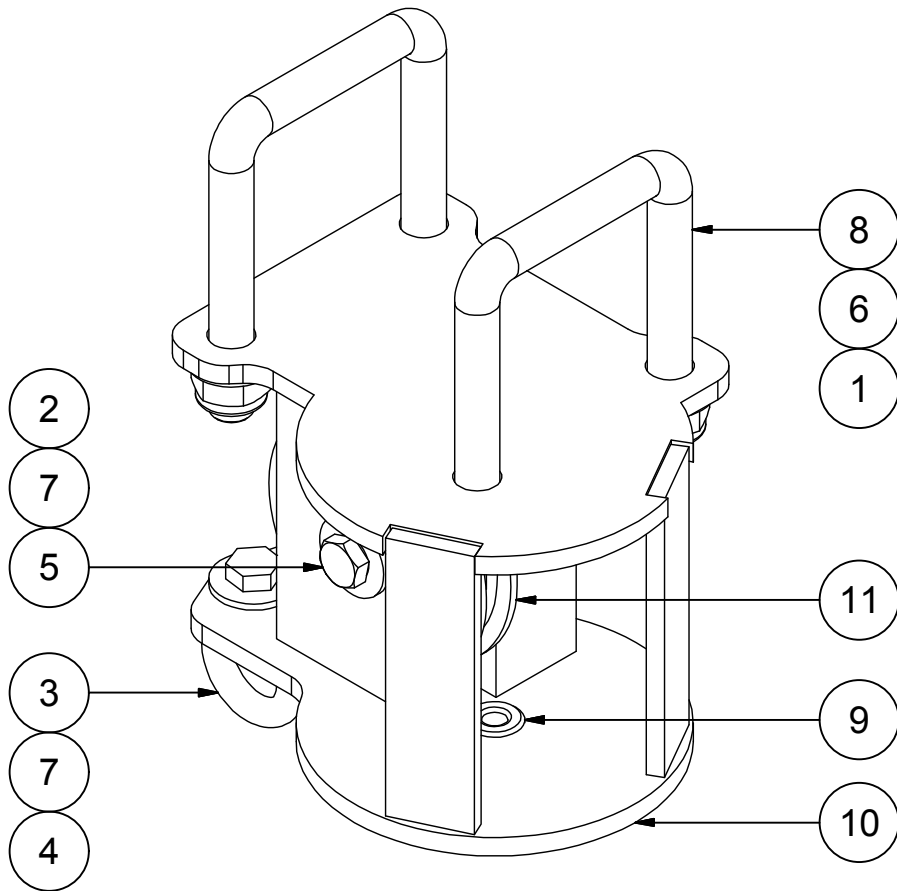
© Hugo Vogelsang Maschinenbau GmbH.



BOM			
Pos.	Qty.	Part	Description
1	1	AHZ.006.T4	Hydraulic Cylinder Ø 32 mm Ø 20 mm, 300 mm
2	1	NBO.006	Spring Cotter Bolt Ø 20 mm x 45 mm
3	4	NMK.004	Hexagon Nut M 8, DIN 985
4	1	NMK.005	Hexagon Nut M 20, DIN 985
5	2	NMK.015	Ring Nut M 8, DIN 582
6	2	NSK.018	Hexagon Head Bolt M 8 x 20 mm, DIN 933
7	1	NSK.020	Hexagon Head Bolt M 8 x 30 mm, DIN 933
8	1	NSK.049	Hexagon Head Bolt M 8 x 100 mm, DIN 931
9	2	NSK.064	Hexagon Head Bolt M 8 x 90 mm, DIN 931
10	1	NSK.093	Hexagon Head Bolt M 20 x 110 mm, DIN 931
11	1	NSP.012	Split Pin Ø 5,0 mm x 40 mm
12	2	NUS.008	Washer A 21,0 mm x 37 mm x 3,0 mm
13	11	NUS.018	Washer A 8,4 mm x 24 mm x 2,0 mm
14	2	TMB.013	Wire Rope Clip 6,5 mm
15	1	TRS.119.N1	Rope Guide Cone Ø 18,5 mm x 35 mm, M 16 x 1,5
16	1	TSE.317.TR	Tackle Guide Steel
17	1	TSE.319.TR	Tackle Guide Steel
18	1	TSE.414	Spacer 70 mm x 10 mm x 50 mm
19	2	TSR.001	Cable Pulley Ø 80 mm
20	2	ZHRS204.0022	

Cable-Control Guide Stroke = 300 mm, Right	B	 
	TSE.320.TR	
© Hugo Vogelsang Maschinenbau GmbH.		





BOM			
Pos.	Qty.	Part	Description
1	4	NMK.002	Hexagon Nut M 12, DIN 985
2	1	NMK.004	Hexagon Nut M 8, DIN 985
3	1	NMK.015	Ring Nut M 8, DIN 582
4	1	NSK.018	Hexagon Head Bolt M 8 x 20 mm, DIN 933
5	1	NSK.023	Hexagon Head Bolt M 8 x 50 mm, DIN 931
6	4	NUS.005	Washer A 13,0 mm x 24 mm x 2,5 mm
7	4	NUS.018	Washer A 8,4 mm x 24 mm x 2,0 mm
8	2	THA.032	Rectangular Bracket M 12 60 mm x 85 mm, 30 mm
9	1	TRS.119.N1	Rope Guide Cone Ø 18,5 mm x 35 mm, M 16 x 1,5
10	1	TSE.318.TR	Cable Pulley Holder Steel
11	1	TSR.001	Cable Pulley Ø 80 mm

Cable Pulley Holder  
Cable-Operated Mechanism,

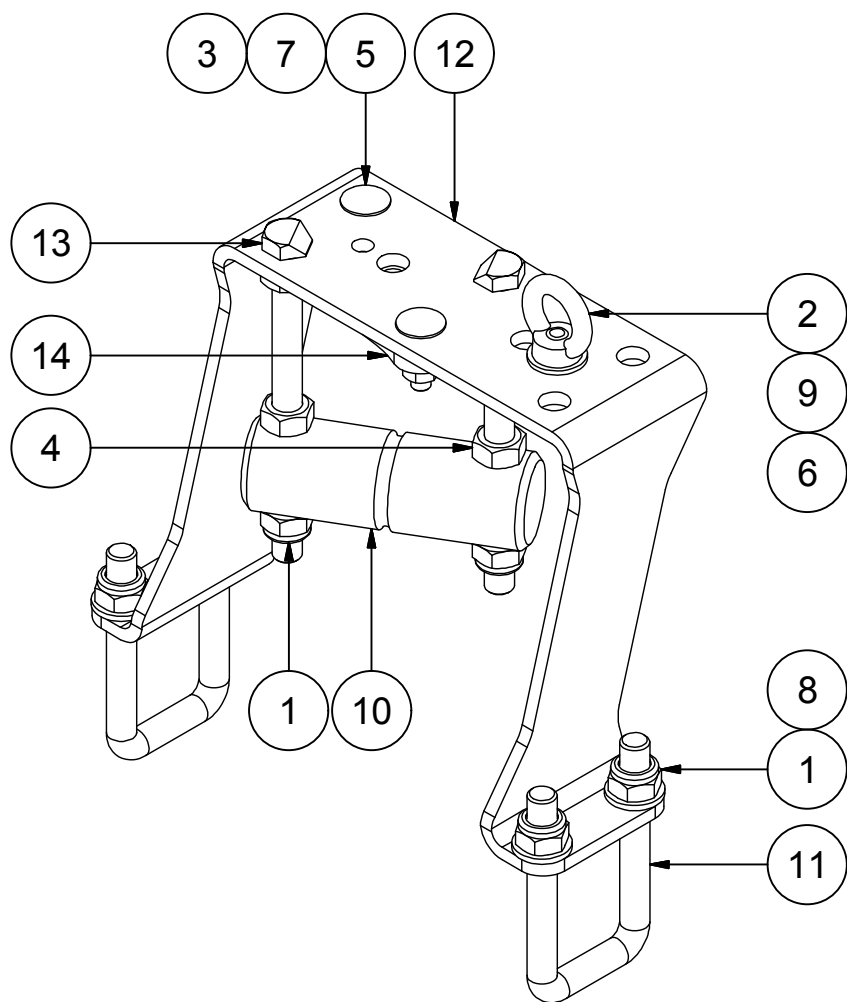
B

TSE.324.TR

© Hugo Vogelsang Maschinenbau GmbH.

**VOGELSANG**





BOM			
Pos.	Qty.	Part	Description
1	6	NMK.002	Hexagon Nut M 12, DIN 985
2	1	NMK.015	Ring Nut M 8, DIN 582
3	2	NMS.002	Hexagon Nut M 8, DIN 934
4	4	NMS.004	Hexagon Nut M 12, DIN 934
5	2	NSC0006	Mushroom Head Bolt M 8 x 30 mm, DIN 603
6	1	NSK.018	Hexagon Head Bolt M 8 x 20 mm, DIN 933
7	2	NUS.003	Washer A 8,4 mm x 16 mm x 1,6 mm
8	4	NUS.005	Washer A 13,0 mm x 24 mm x 2,5 mm
9	2	NUS.018	Washer A 8,4 mm x 24 mm x 2,0 mm
10	1	PRS1903	Rope Guide Ø 40 mm, Length 116 mm
11	2	THA.034	Rectangular Bracket M 12 40 mm x 90 mm, 40 mm
12	1	TSE.325	Holder 6 mm 1.0038
13	2	TSE.330	Hexagon Head Bolt M 12 x 150 mm,
14	1	TSE0415	Spacer 55 mm x 10 mm x 110 mm

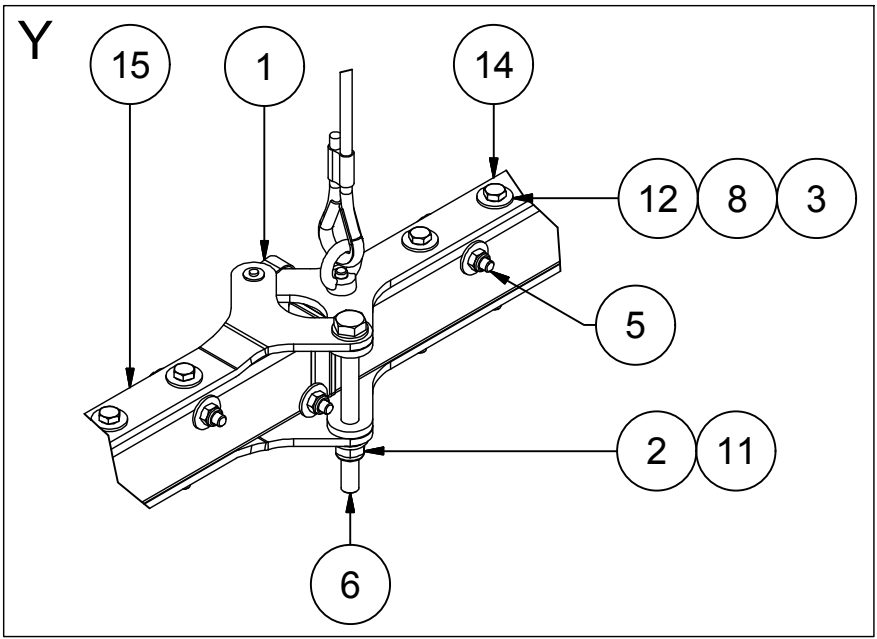
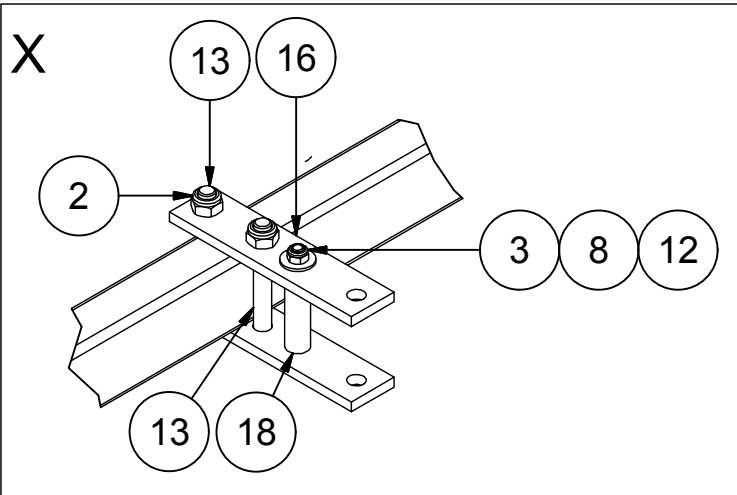
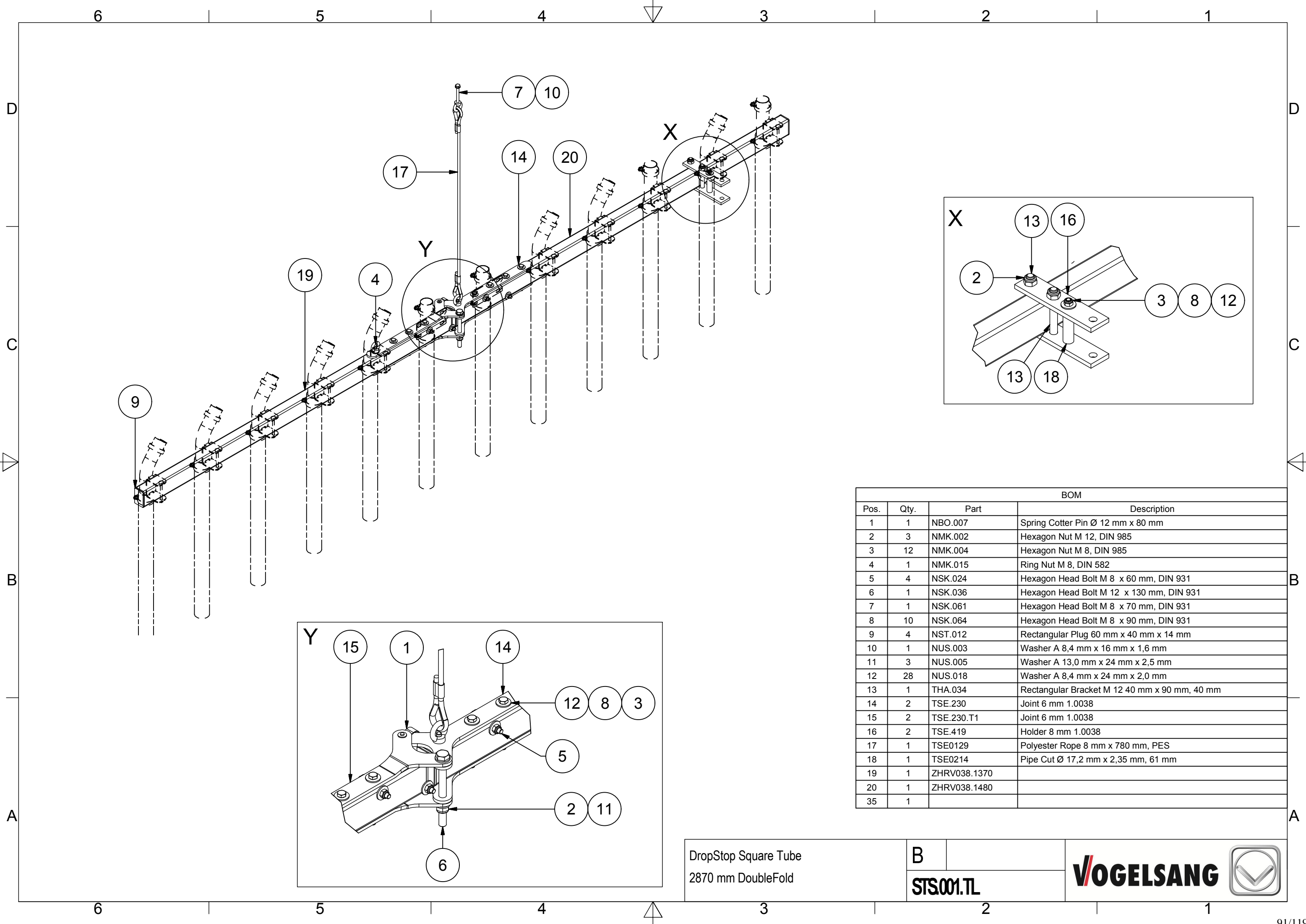
Rope Pretensioning  
Cable-Operated Mechanism Right

B

TSE327.TR

**VOGELSANG**





BOM			
Pos.	Qty.	Part	Description
1	1	NBO.007	Spring Cotter Pin Ø 12 mm x 80 mm
2	3	NMK.002	Hexagon Nut M 12, DIN 985
3	12	NMK.004	Hexagon Nut M 8, DIN 985
4	1	NMK.015	Ring Nut M 8, DIN 582
5	4	NSK.024	Hexagon Head Bolt M 8 x 60 mm, DIN 931
6	1	NSK.036	Hexagon Head Bolt M 12 x 130 mm, DIN 931
7	1	NSK.061	Hexagon Head Bolt M 8 x 70 mm, DIN 931
8	10	NSK.064	Hexagon Head Bolt M 8 x 90 mm, DIN 931
9	4	NST.012	Rectangular Plug 60 mm x 40 mm x 14 mm
10	1	NUS.003	Washer A 8,4 mm x 16 mm x 1,6 mm
11	3	NUS.005	Washer A 13,0 mm x 24 mm x 2,5 mm
12	28	NUS.018	Washer A 8,4 mm x 24 mm x 2,0 mm
13	1	THA.034	Rectangular Bracket M 12 40 mm x 90 mm, 40 mm
14	2	TSE.230	Joint 6 mm 1.0038
15	2	TSE.230.T1	Joint 6 mm 1.0038
16	2	TSE.419	Holder 8 mm 1.0038
17	1	TSE0129	Polyester Rope 8 mm x 780 mm, PES
18	1	TSE0214	Pipe Cut Ø 17,2 mm x 2,35 mm, 61 mm
19	1	ZHRV038.1370	
20	1	ZHRV038.1480	
35	1		

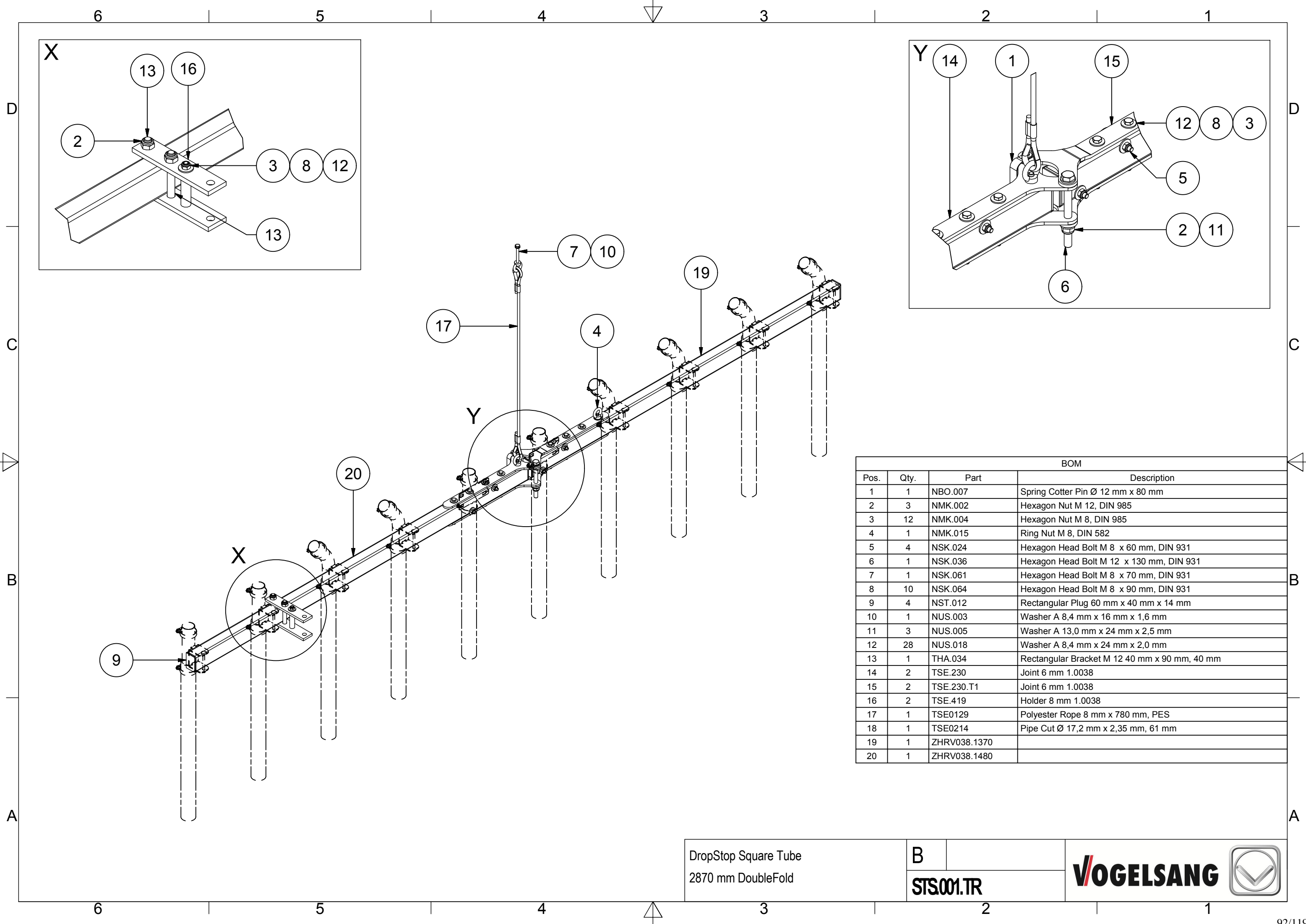
DropStop Square Tube  
2870 mm DoubleFold

B

STS001.TL

**VOGELSANG**



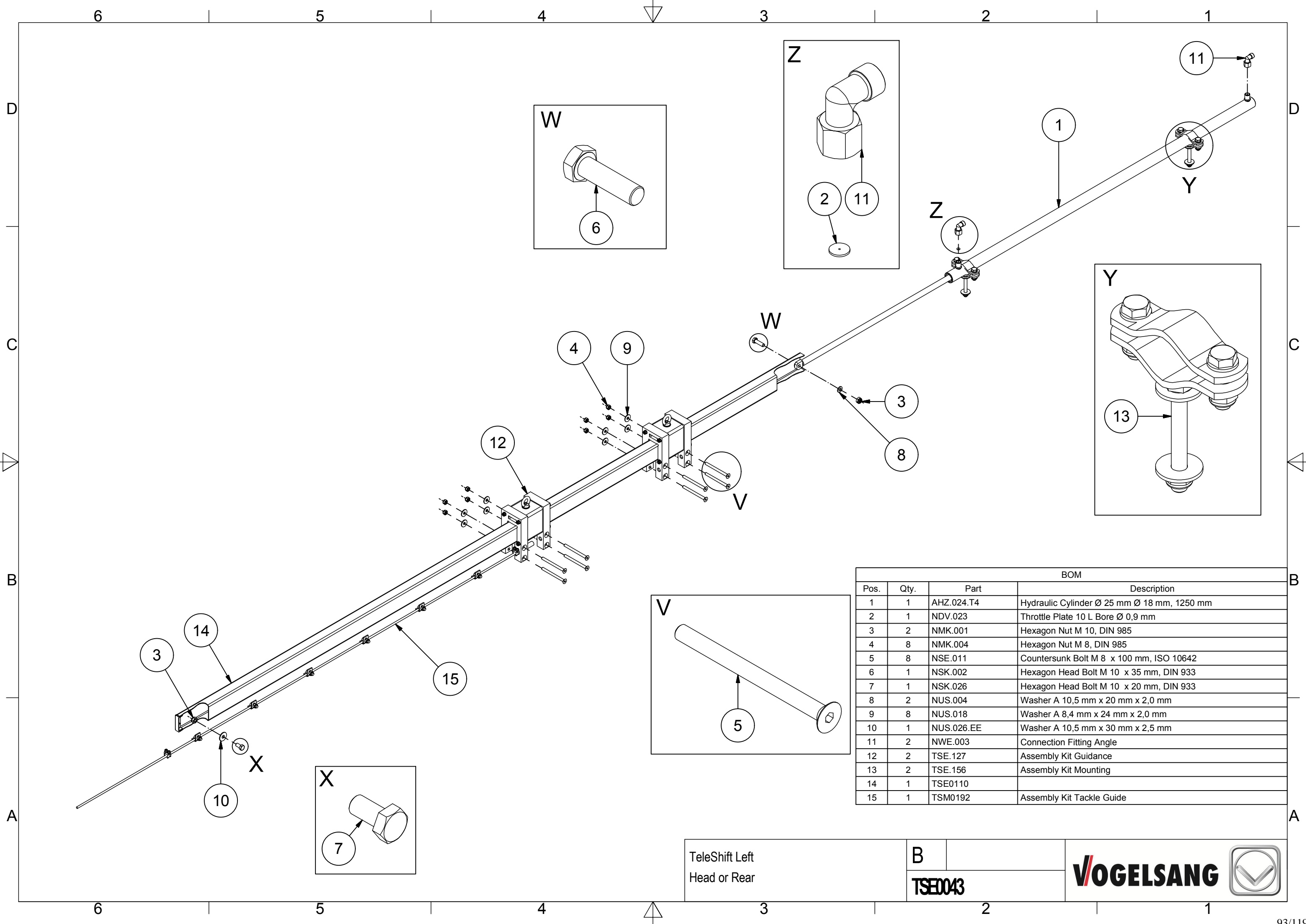


BOM			
Pos.	Qty.	Part	Description
1	1	NBO.007	Spring Cotter Pin Ø 12 mm x 80 mm
2	3	NMK.002	Hexagon Nut M 12, DIN 985
3	12	NMK.004	Hexagon Nut M 8, DIN 985
4	1	NMK.015	Ring Nut M 8, DIN 582
5	4	NSK.024	Hexagon Head Bolt M 8 x 60 mm, DIN 931
6	1	NSK.036	Hexagon Head Bolt M 12 x 130 mm, DIN 931
7	1	NSK.061	Hexagon Head Bolt M 8 x 70 mm, DIN 931
8	10	NSK.064	Hexagon Head Bolt M 8 x 90 mm, DIN 931
9	4	NST.012	Rectangular Plug 60 mm x 40 mm x 14 mm
10	1	NUS.003	Washer A 8,4 mm x 16 mm x 1,6 mm
11	3	NUS.005	Washer A 13,0 mm x 24 mm x 2,5 mm
12	28	NUS.018	Washer A 8,4 mm x 24 mm x 2,0 mm
13	1	THA.034	Rectangular Bracket M 12 40 mm x 90 mm, 40 mm
14	2	TSE.230	Joint 6 mm 1.0038
15	2	TSE.230.T1	Joint 6 mm 1.0038
16	2	TSE.419	Holder 8 mm 1.0038
17	1	TSE0129	Polyester Rope 8 mm x 780 mm, PES
18	1	TSE0214	Pipe Cut Ø 17,2 mm x 2,35 mm, 61 mm
19	1	ZHRV038.1370	
20	1	ZHRV038.1480	

DropStop Square Tube  
2870 mm DoubleFold

B  
STS001.TR



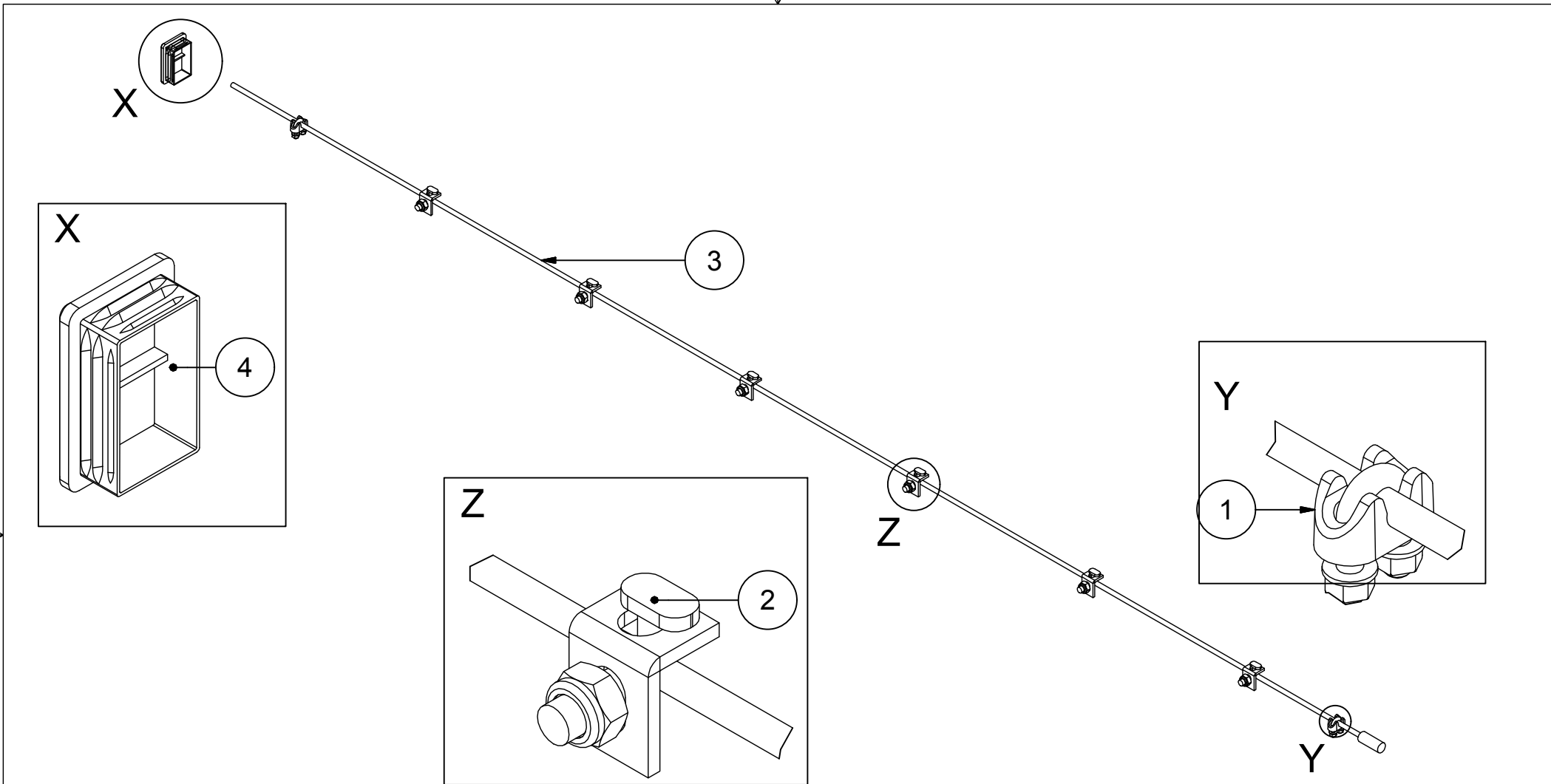


BOM			
Pos.	Qty.	Part	Description
1	1	AHZ.024.T4	Hydraulic Cylinder Ø 25 mm Ø 18 mm, 1250 mm
2	1	NDV.023	Throttle Plate 10 L Bore Ø 0,9 mm
3	2	NMK.001	Hexagon Nut M 10, DIN 985
4	8	NMK.004	Hexagon Nut M 8, DIN 985
5	8	NSE.011	Countersunk Bolt M 8 x 100 mm, ISO 10642
6	1	NSK.002	Hexagon Head Bolt M 10 x 35 mm, DIN 933
7	1	NSK.026	Hexagon Head Bolt M 10 x 20 mm, DIN 933
8	2	NUS.004	Washer A 10,5 mm x 20 mm x 2,0 mm
9	8	NUS.018	Washer A 8,4 mm x 24 mm x 2,0 mm
10	1	NUS.026.EE	Washer A 10,5 mm x 30 mm x 2,5 mm
11	2	NWE.003	Connection Fitting Angle
12	2	TSE.127	Assembly Kit Guidance
13	2	TSE.156	Assembly Kit Mounting
14	1	TSE0110	
15	1	TSM0192	Assembly Kit Tackle Guide

TeleShift Left  
Head or Rear

B  
TSE0043





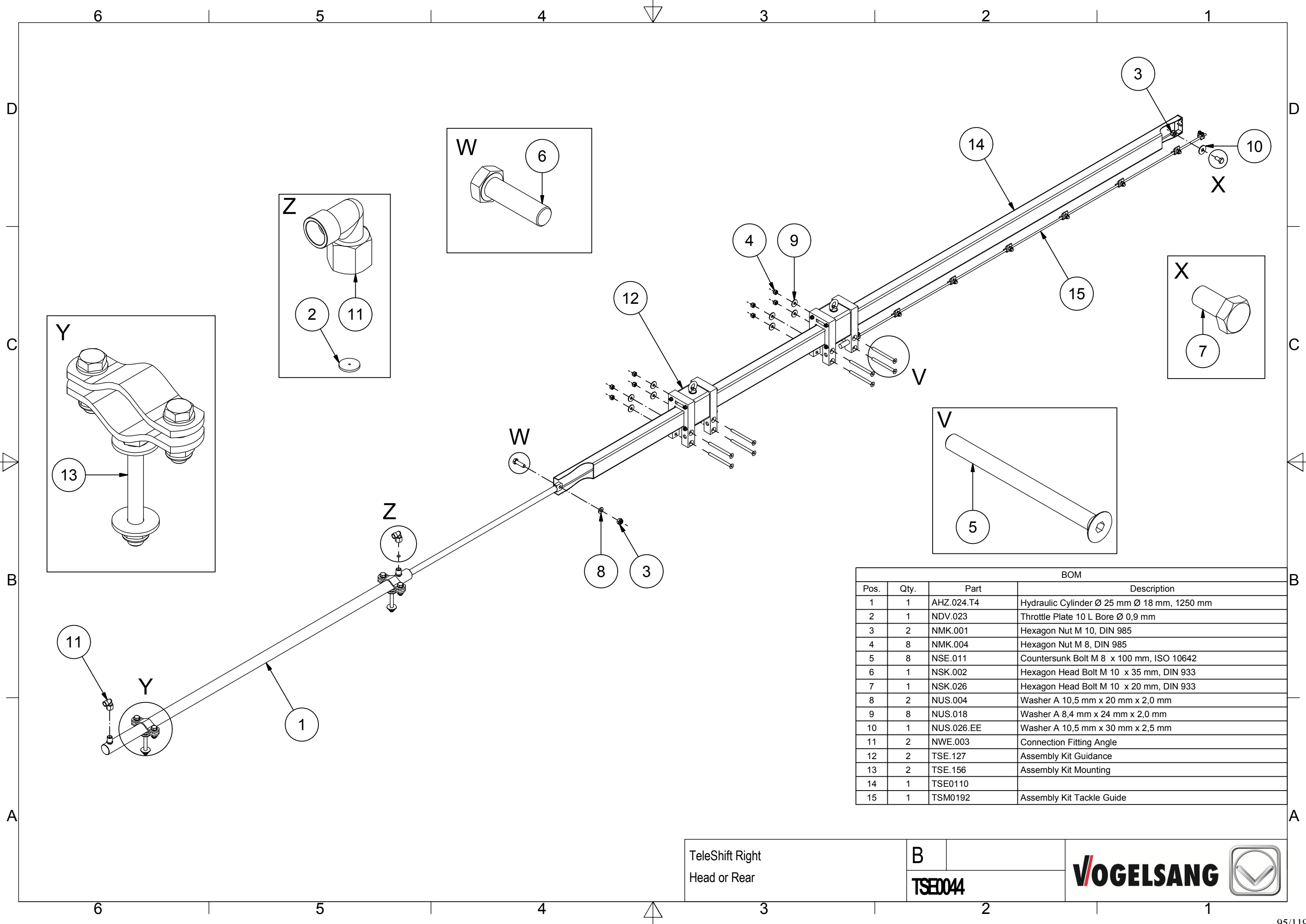
BOM			
Pos.	Qty.	Part	Description
1	2	TMB.015	Wire Rope Clip 5 mm
2	6	TMB.018	Angular Rope Clamp 6 mm
3	1	TSE0103	Wire Rope Cut 1 x Ø 6 mm x 2000 mm
4	1	TSE0112	Rectangular Plug 60 mm x 40 mm x 14 mm

Assembly Kit  
Tackle Guide

**B**

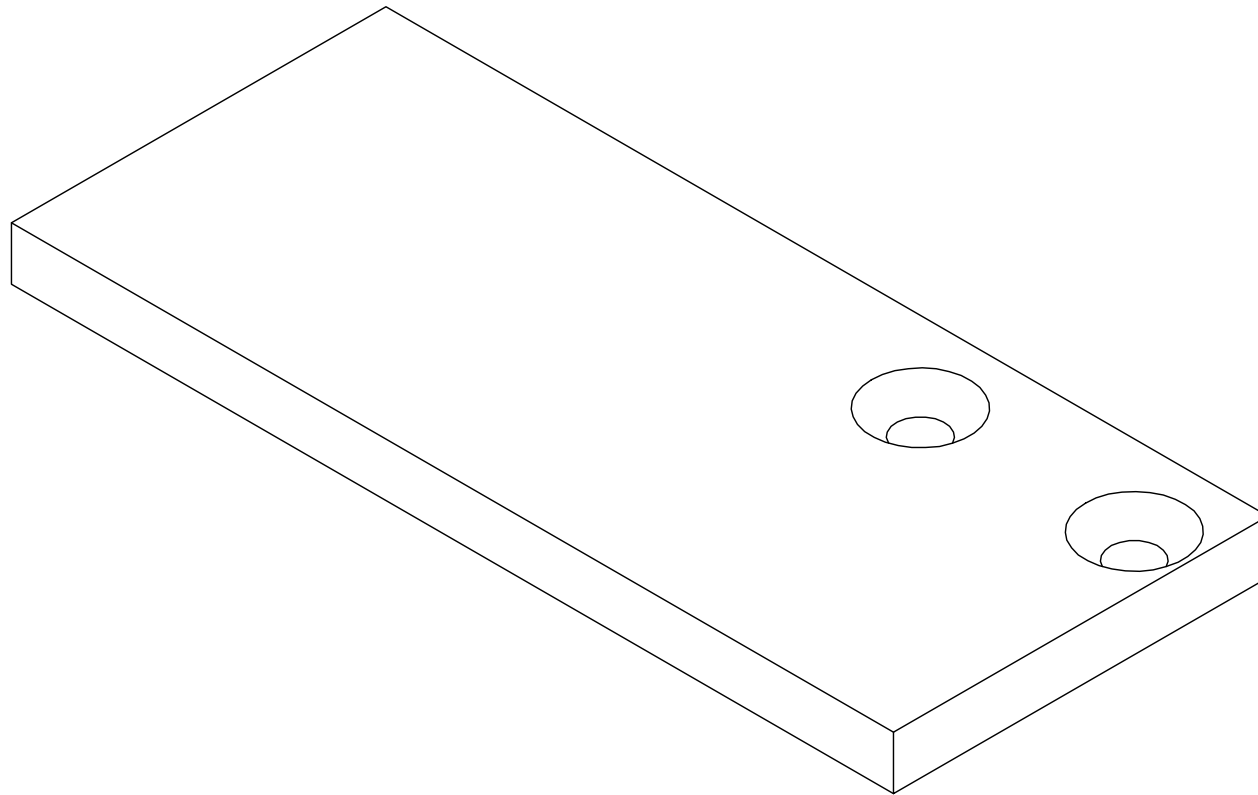
**TSM192**





BOM			
Pos.	Qty.	Part	Description
1	1	AHZ.024.T4	Hydraulic Cylinder Ø 25 mm Ø 18 mm, 1250 mm
2	1	NDV.023	Throttle Plate 10 L Bore Ø 0,9 mm
3	2	NMK.001	Hexagon Nut M 10, DIN 985
4	8	NMK.004	Hexagon Nut M 8, DIN 985
5	8	NSE.011	Countersunk Bolt M 8 x 100 mm, ISO 10642
6	1	NSK.002	Hexagon Head Bolt M 10 x 35 mm, DIN 933
7	1	NSK.026	Hexagon Head Bolt M 10 x 20 mm, DIN 933
8	2	NUS.004	Washer A 10,5 mm x 20 mm x 2,0 mm
9	8	NUS.018	Washer A 8,4 mm x 24 mm x 2,0 mm
10	1	NUS.026.EE	Washer A 10,5 mm x 30 mm x 2,5 mm
11	2	NWE.003	Connection Fitting Angle
12	2	TSE.127	Assembly Kit Guidance
13	2	TSE.156	Assembly Kit Mounting
14	1	TSE0110	
15	1	TSM0192	Assembly Kit Tackle Guide

TeleShift Right Head or Rear	B	
	TSE004	



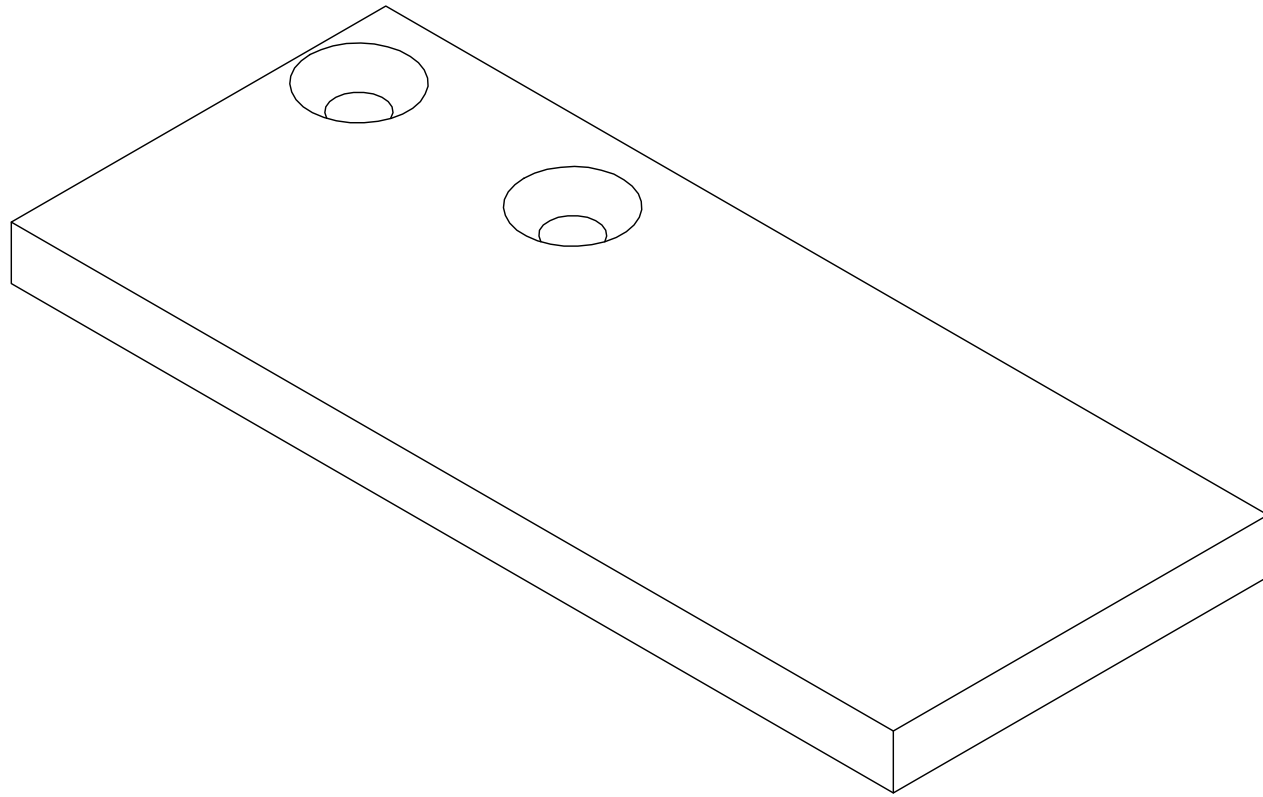
Spacer  
70 mm x 10 mm x 165 mm

A  
TSE0093

**VOGELSANG**







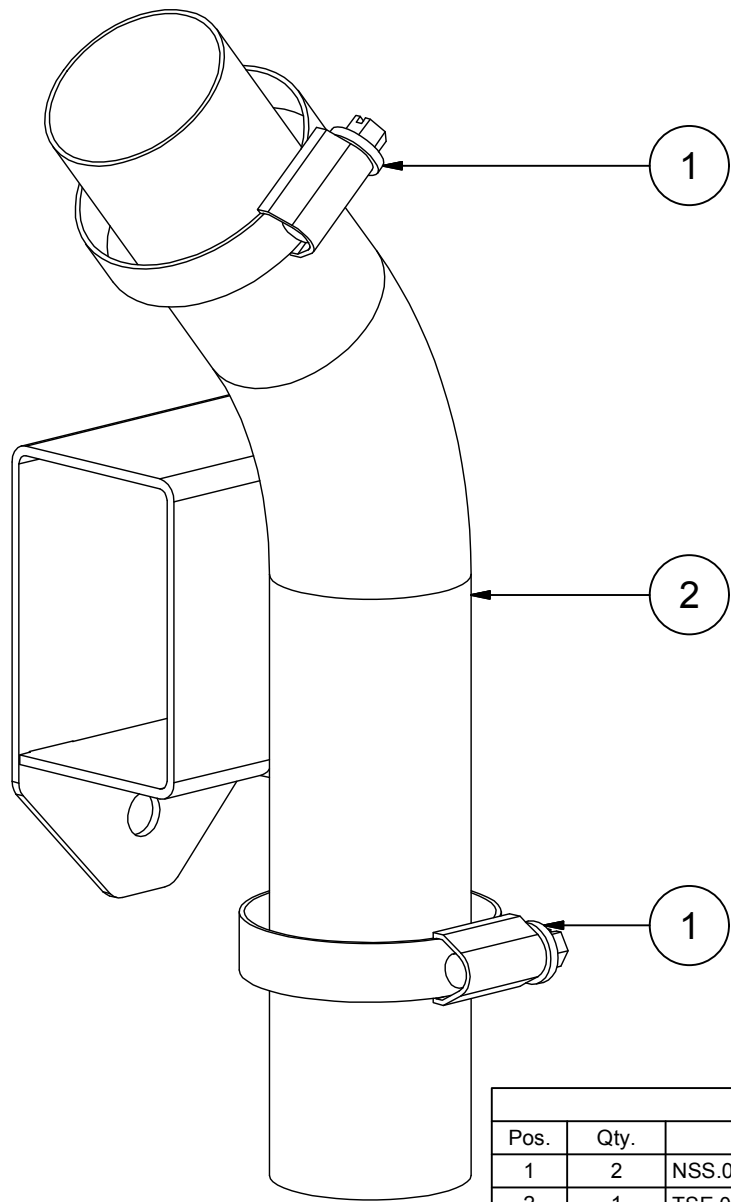
Spacer  
70 mm x 10 mm x 165 mm

A

TSE0094

**VOGELSANG**



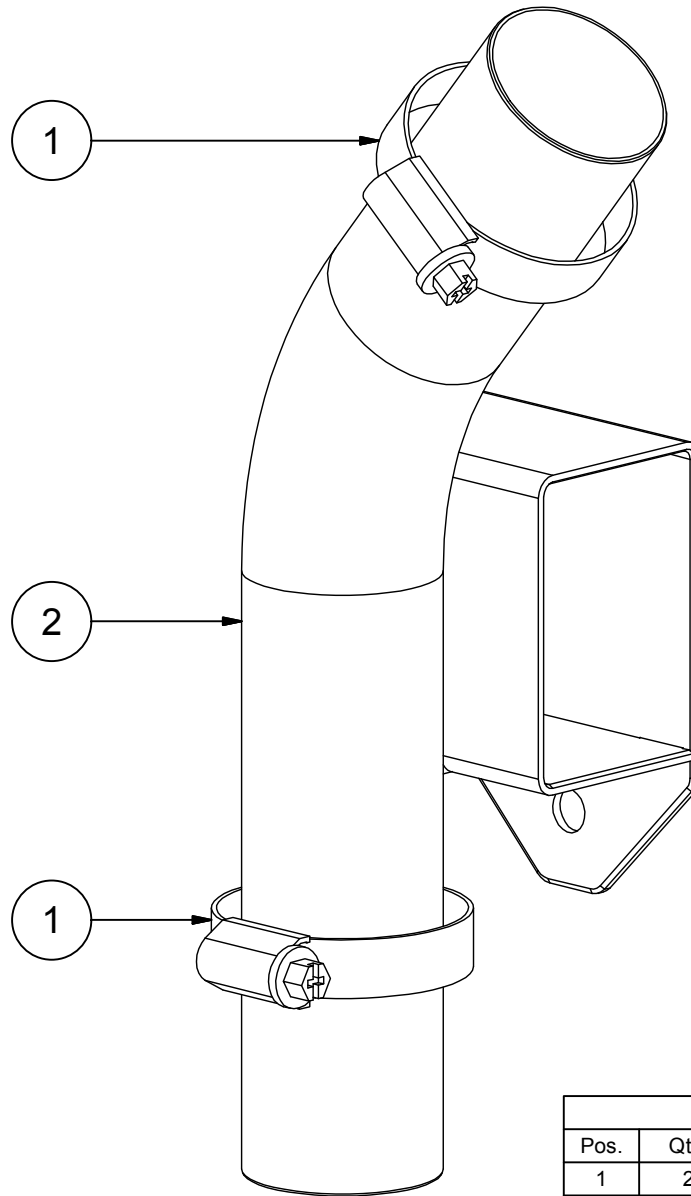


BOM			
Pos.	Qty.	Part	Description
1	2	NSS.014	Worm Drive Hose Clip Maximum Clamping Range: 50 mm
2	1	TSE.080.TL	Hose Retainer, DropStop Pipe Type 5, Bent

Hose Retainer,  
DropStop Pipe  
DN 40, Left

B  
TSZ307.TL





BOM			
Pos.	Qty.	Part	Description
1	2	NSS.014	Worm Drive Hose Clip Maximum Clamping Range: 50 mm
2	1	TSE.080.TR	Hose Retainer, DropStop Pipe Type 5, Bent

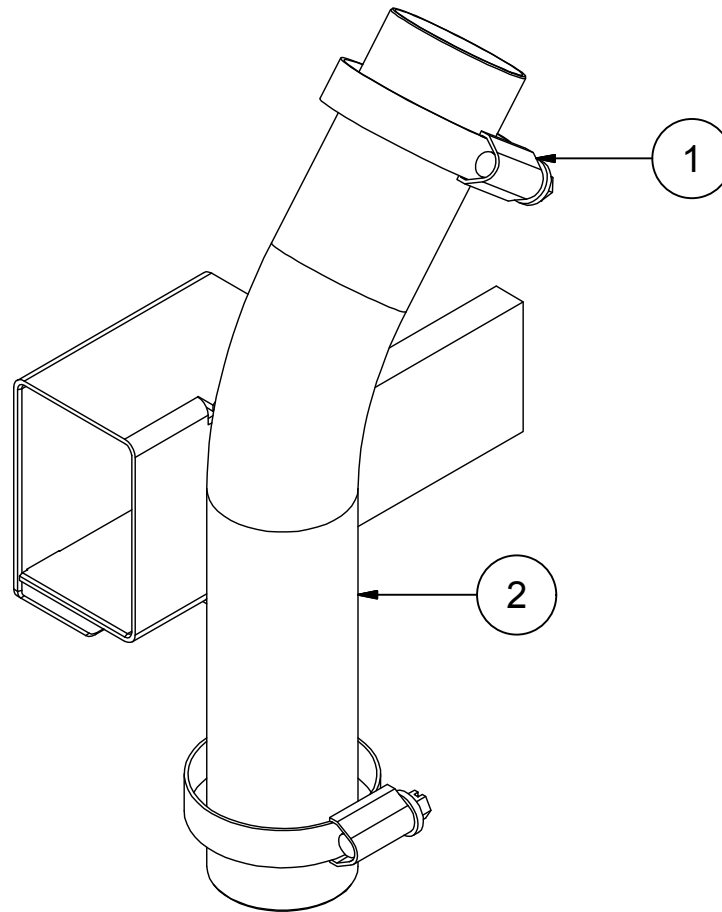
Hose Retainer,  
DropStop Pipe  
DN 40, Right

B

TSZ307.TR

**VOGELSANG**





BOM			
Pos.	Qty.	Part	Description
1	2	NSS.014	Worm Drive Hose Clip Maximum Clamping Range: 50 mm
2	1	TSE.109.T4.TR	Hose Retainer, DropStop Pipe Type 5, Bent

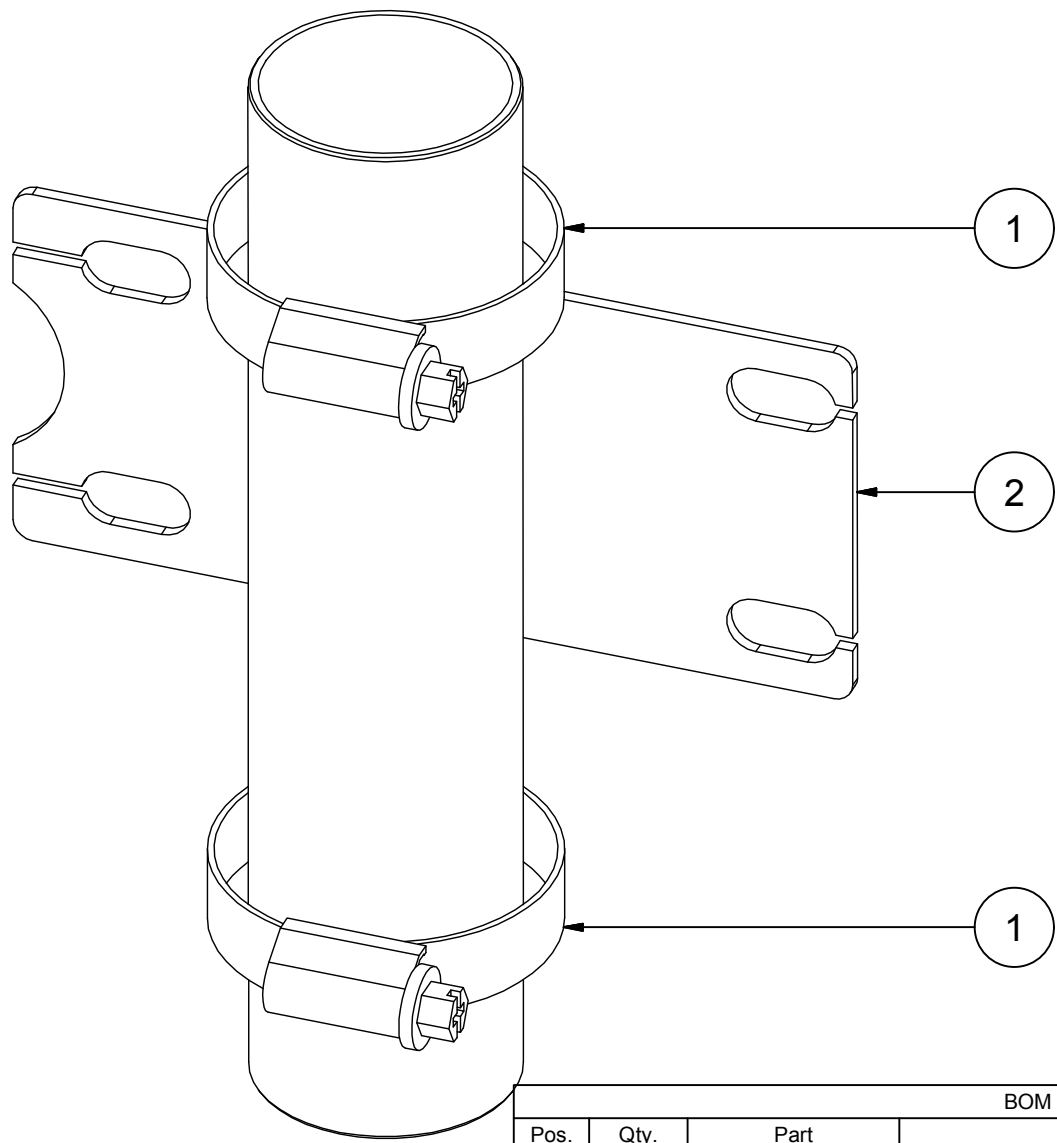
Hose Retainer, DropStop Pipe  
DN 40, Right

A

~~TSZ328.T3.TR~~

**VOGELSANG**





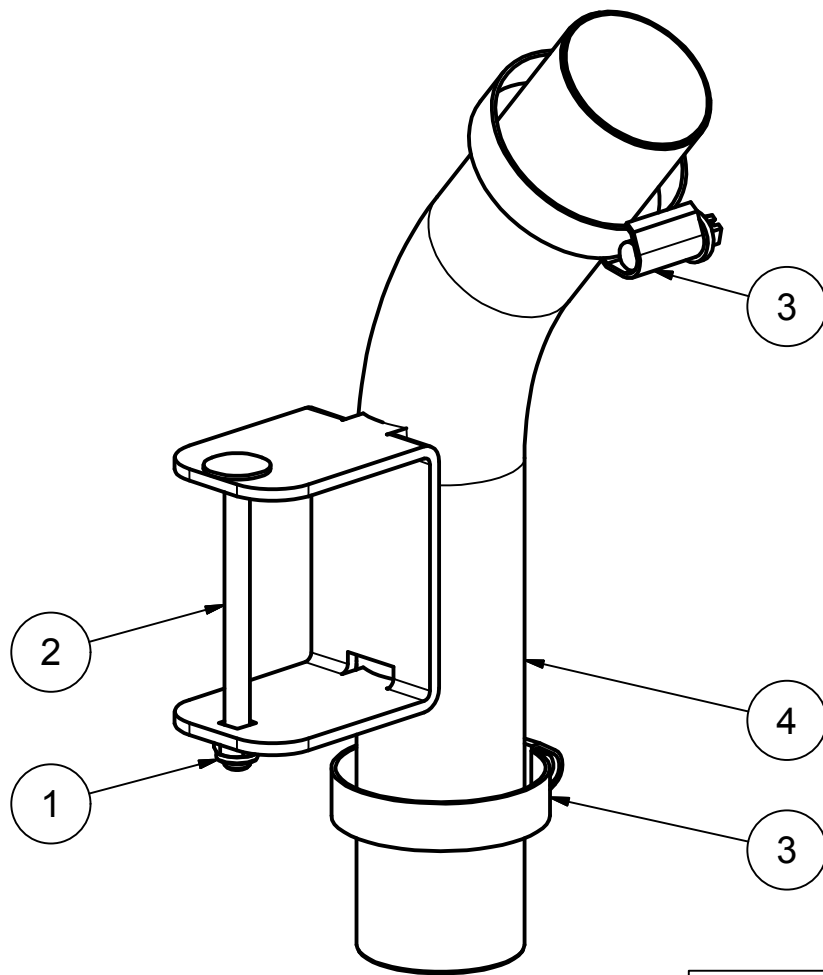
BOM			
Pos.	Qty.	Part	Description
1	2	NSS.014	Worm Drive Hose Clip Maximum Clamping Range: 50 mm
2	1	TSE.108	Hose Retainer, DropStop Pipe Type 4, Straight

Hose Retainer,  
DropStop Pipe  
DN 40, On Both  
Sides

**B**  
**TSZ329**

**VOGELSANG**





BOM			
Pos.	Qty.	Part	Description
1	1	NMK.003.EE	Hexagon Nut M 6, DIN 985
2	1	NSC.034.E	Mushroom Head Bolt M 6 x 75 mm, DIN 603 A2 Thread
3	2	NSS.014	Worm Drive Hose Clip Maximum Clamping Range: 50 mm
4	1	TSE.148.TL	Hose Retainer, DropStop Pipe Type 1, Bent

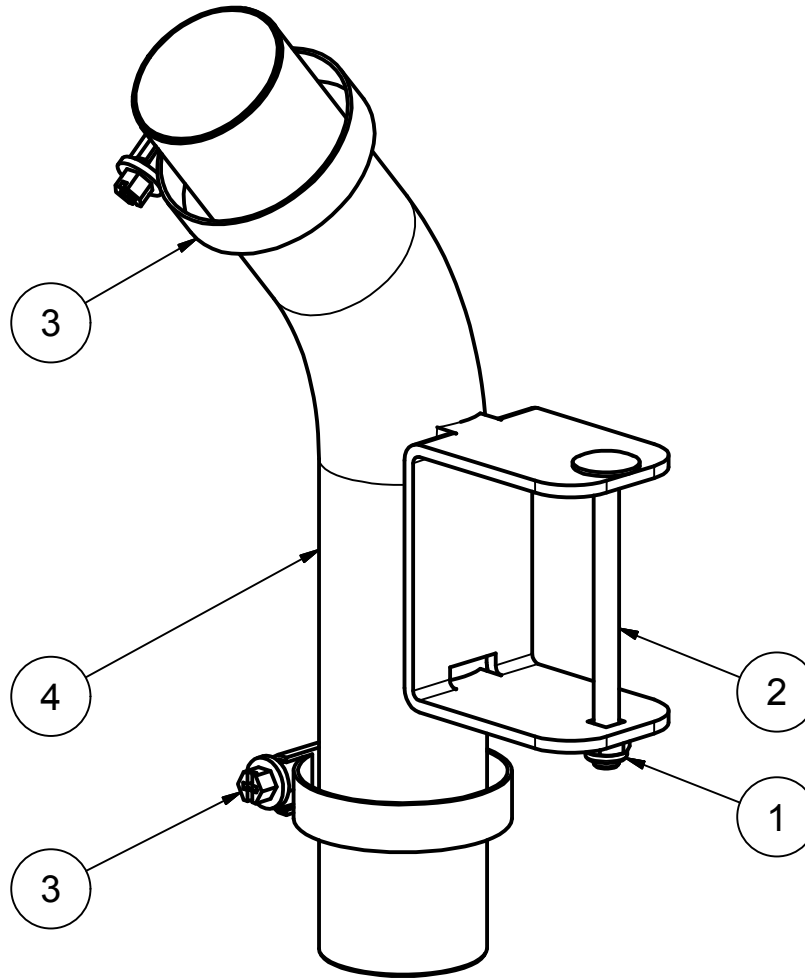
Hose Retainer,  
DropStop Pipe  
DN 40, Left

B

TSZ254.TL

**VOGELSANG**





BOM			
Pos.	Qty.	Part	Description
1	1	NMK.003.EE	Hexagon Nut M 6, DIN 985
2	1	NSC.034.E	Mushroom Head Bolt M 6 x 75 mm, DIN 603 A2 Thread
3	2	NSS.014	Worm Drive Hose Clip Maximum Clamping Range: 50 mm
4	1	TSE.148.TR	Hose Retainer, DropStop Pipe Type 1, Bent

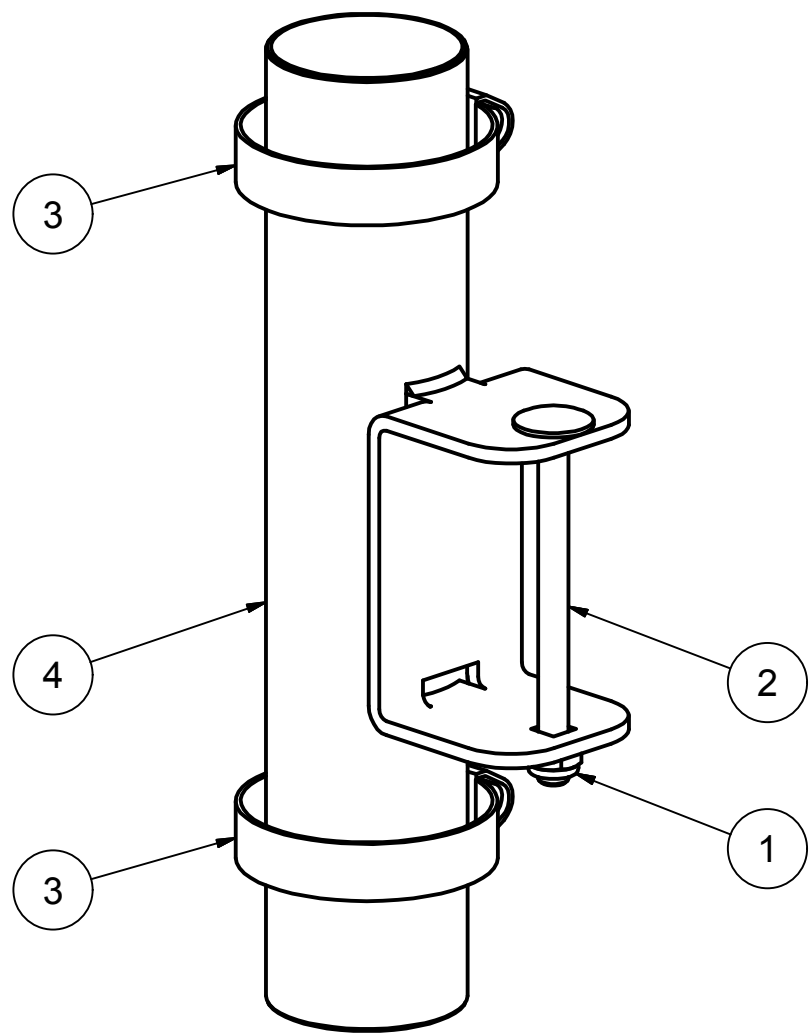
Hose Retainer,  
DropStop Pipe  
DN 40, Right

B

TSZ254.TR

**VOGELSANG**





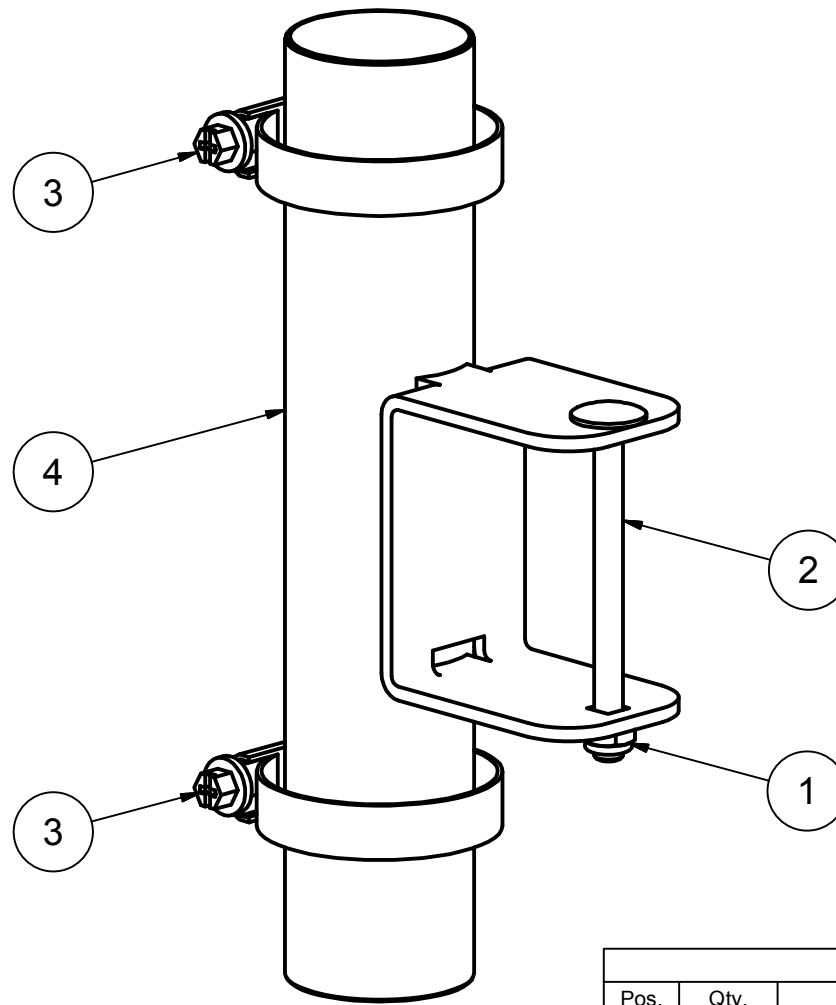
BOM			
Pos.	Qty.	Part	Description
1	1	NMK.003.EE	Hexagon Nut M 6, DIN 985
2	1	NSC.034.E	Mushroom Head Bolt M 6 x 75 mm, DIN 603 A2 Thread
3	2	NSS.014	Worm Drive Hose Clip Maximum Clamping Range: 50 mm
4	1	TSE.147.T1	Hose Retainer, DropStop Pipe Type 2, Straight

Hose Retainer,  
DropStop Pipe  
DN 40, On Both Sides

A  
TSZ330







BOM			
Pos.	Qty.	Part	Description
1	1	NMK.003.EE	Hexagon Nut M 6, DIN 985
2	1	NSC.034.E	Mushroom Head Bolt M 6 x 75 mm, DIN 603 A2 Thread
3	2	NSS.014	Worm Drive Hose Clip Maximum Clamping Range: 50 mm
4	1	TSE.147	Hose Retainer, DropStop Pipe Type 1, Straight

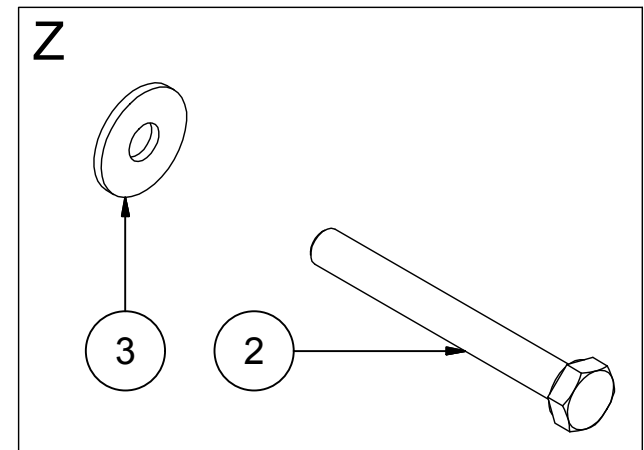
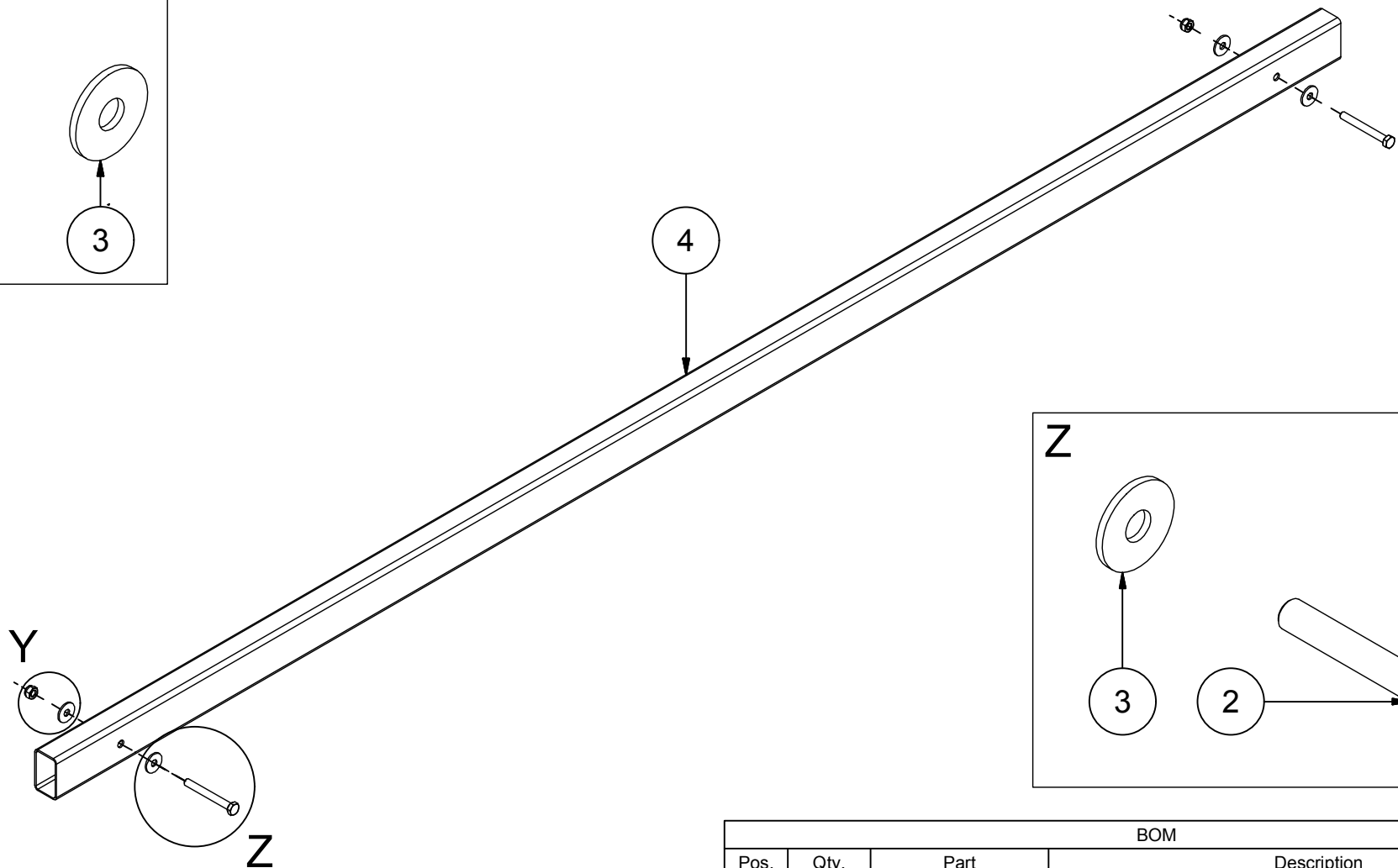
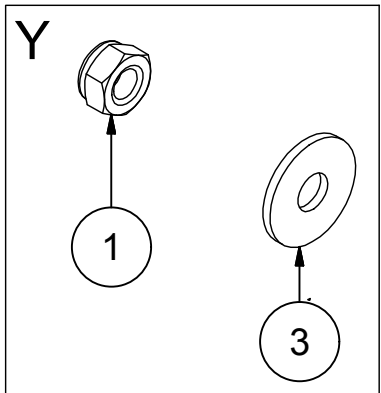
Hose Retainer,  
DropStop Pipe  
DN 40, On Both Sides

B

TSZ253

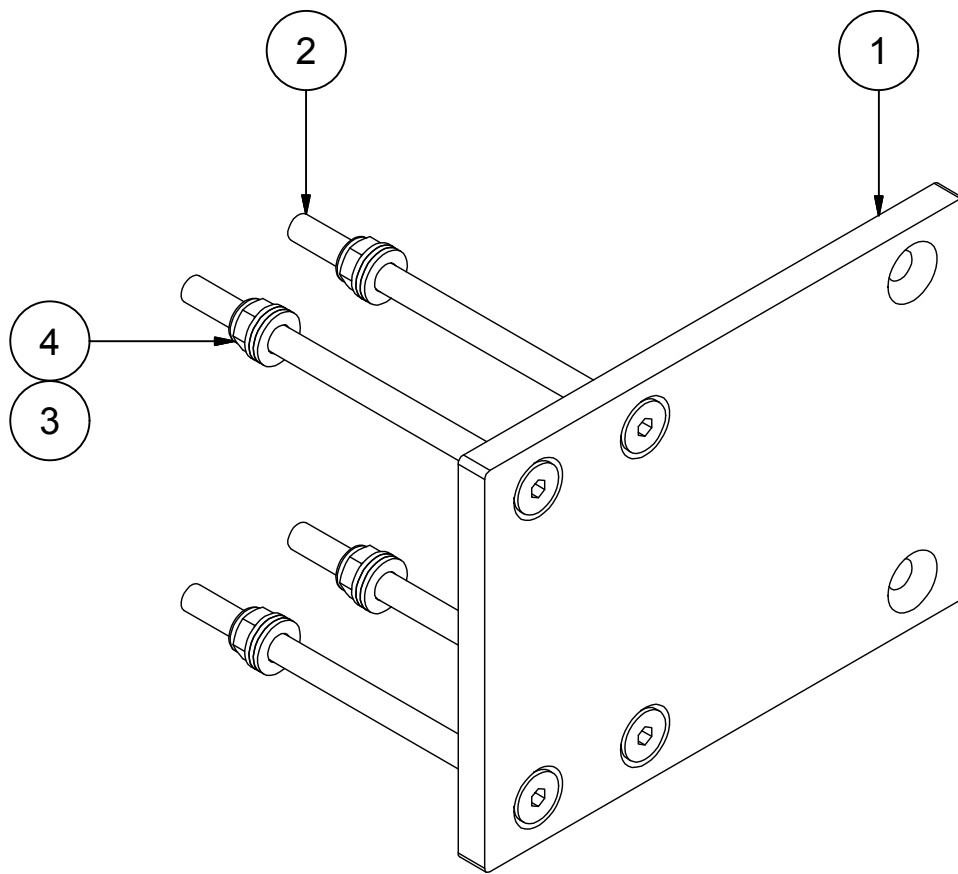
**VOGELSANG**





BOM			
Pos.	Qty.	Part	Description
1	2	NMK.004	Hexagon Nut M 8, DIN 985
2	2	NSK.061	Hexagon Head Bolt M 8 x 70 mm, DIN 931
3	4	NUS.018	Washer A 8,4 mm x 24 mm x 2,0 mm
4	1	ZHRV041.2000	

Assembly Kit Connecting Element	A	
	TSM0274	



BOM			
Pos.	Qty.	Part	Description
1	1	TSE0193	Spacer 130 mm x 10 mm x 180 mm
2	4	NSE.021	Countersunk Bolt M 8 x 130 mm, ISO 10642
3	12	NUS.003	Washer A 8,4 mm x 16 mm x 1,6 mm
4	4	NMK.004	Hexagon Nut M 8, DIN 985

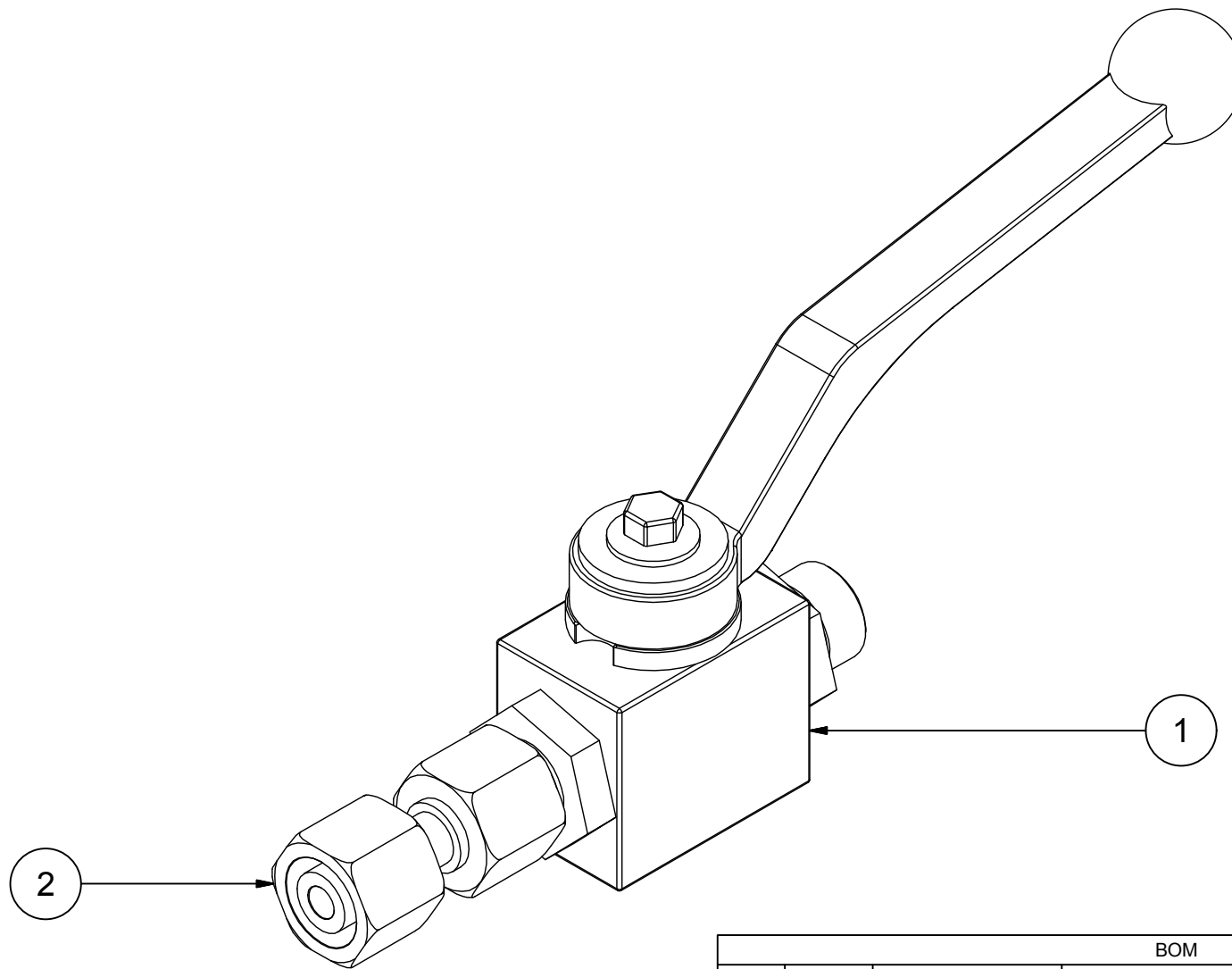
Assembly Kit  
Holder

A

TSMV409

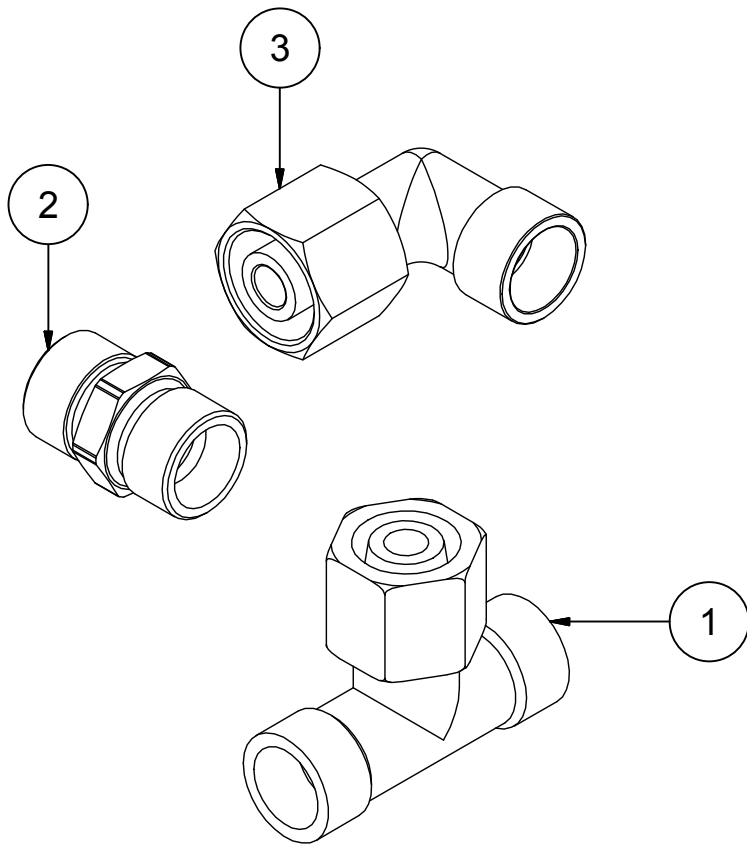
**VOGELSANG**





BOM			
Pos.	Qty.	Part	Description
1	1	GHN.031	2-Ways Stop-Cock DN 8, 10 L
2	1	NGE.008	Connection Fitting Straight

Hydraulic Parts	A	
	TE-0094	



BOM			
Pos.	Qty.	Part	Description
1	3	NGE.036	Connection Fitting T-Shaped Coupling
2	3	NGE.043	Connection Fitting Straight
3	3	NWE.003	Connection Fitting Angle

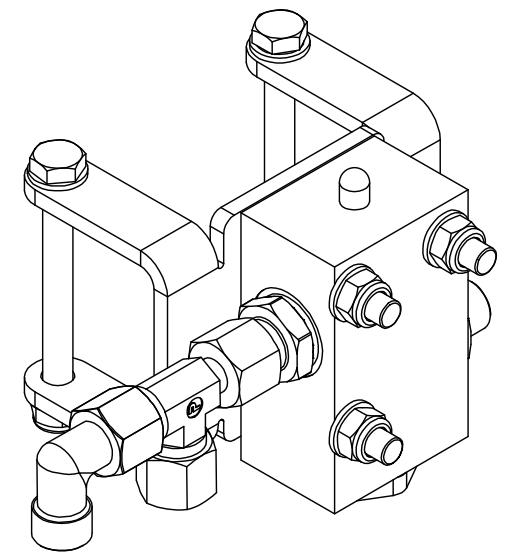
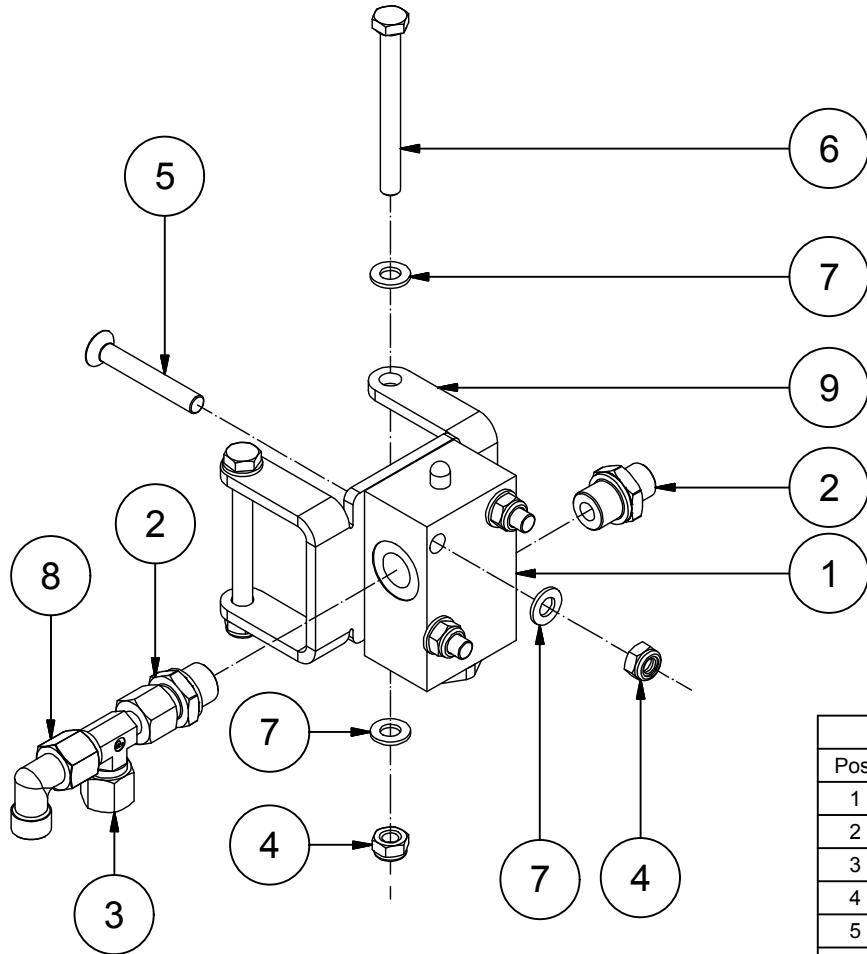
Hydraulic Parts  
 SwingMax3  
 TeleShift Hydraulic Cylinder,

A

TE-0115

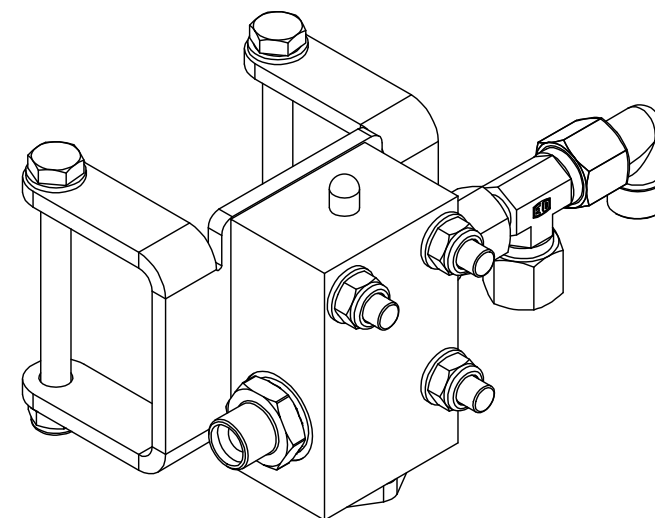
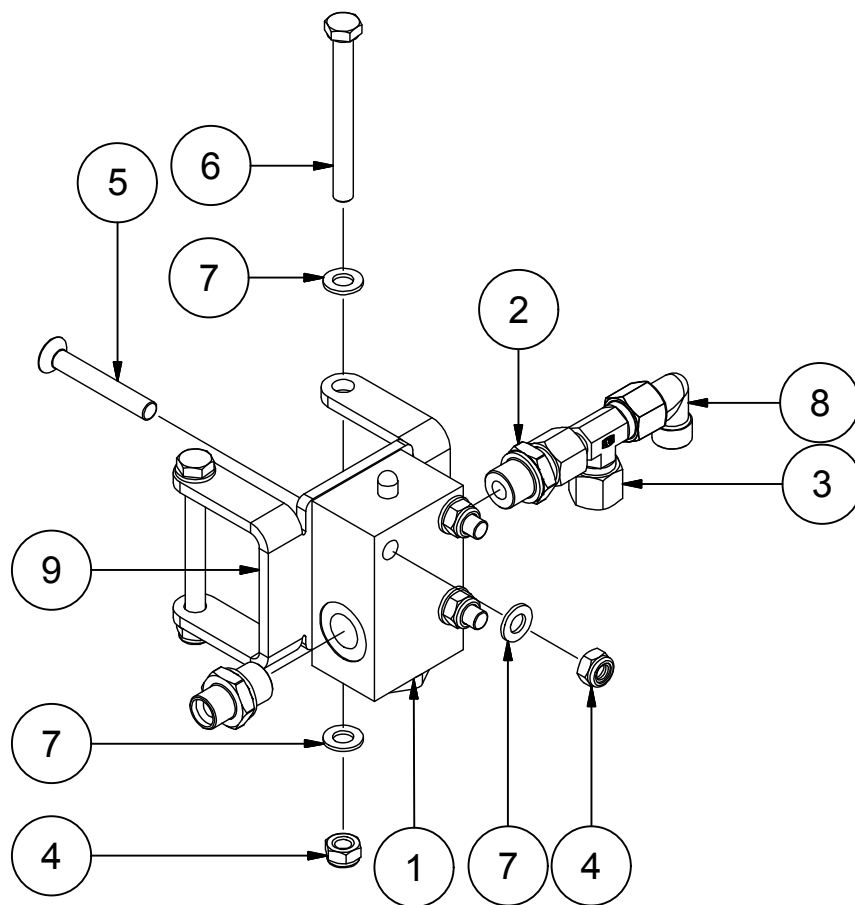
**VOGELSANG**





BOM			
Pos.	Qty.	Part	Description
1	1	AHV.033	2/2-Way Valve G 3/8 inch, 45 l/min
2	2	NGE.005	Screw-In Fitting Straight 10 L - 3/8 inch
3	1	NGE0099	Connection Fitting L-Shaped Coupling
4	5	NMK.004	Hexagon Nut M 8, DIN 985
5	3	NSE0001	Countersunk Bolt M 8 x 55 mm, ISO 10642
6	2	NSK.062	Hexagon Head Bolt M 8 x 80 mm, DIN 931
7	7	NUS.003	Washer A 8,4 mm x 16 mm x 1,6 mm
8	1	NWE.003	Connection Fitting Angle
9	1	TSE0154	Holder 5 mm 1.0038

Assembly Kit Holder	C	
	TSM0269	



BOM			
Pos.	Qty.	Part	Description
1	1	AHV.033	2/2-Way Valve G 3/8 inch, 45 l/min
2	2	NGE.005	Screw-In Fitting Straight 10 L - 3/8 inch
3	1	NGE0099	Connection Fitting L-Shaped Coupling
4	5	NMK.004	Hexagon Nut M 8, DIN 985
5	3	NSE0001	Countersunk Bolt M 8 x 55 mm, ISO 10642
6	2	NSK.062	Hexagon Head Bolt M 8 x 80 mm, DIN 931
7	7	NUS.003	Washer A 8,4 mm x 16 mm x 1,6 mm
8	1	NWE.003	Connection Fitting Angle
9	1	TSE0154	Holder 5 mm 1.0038

Assembly Kit  
Holder

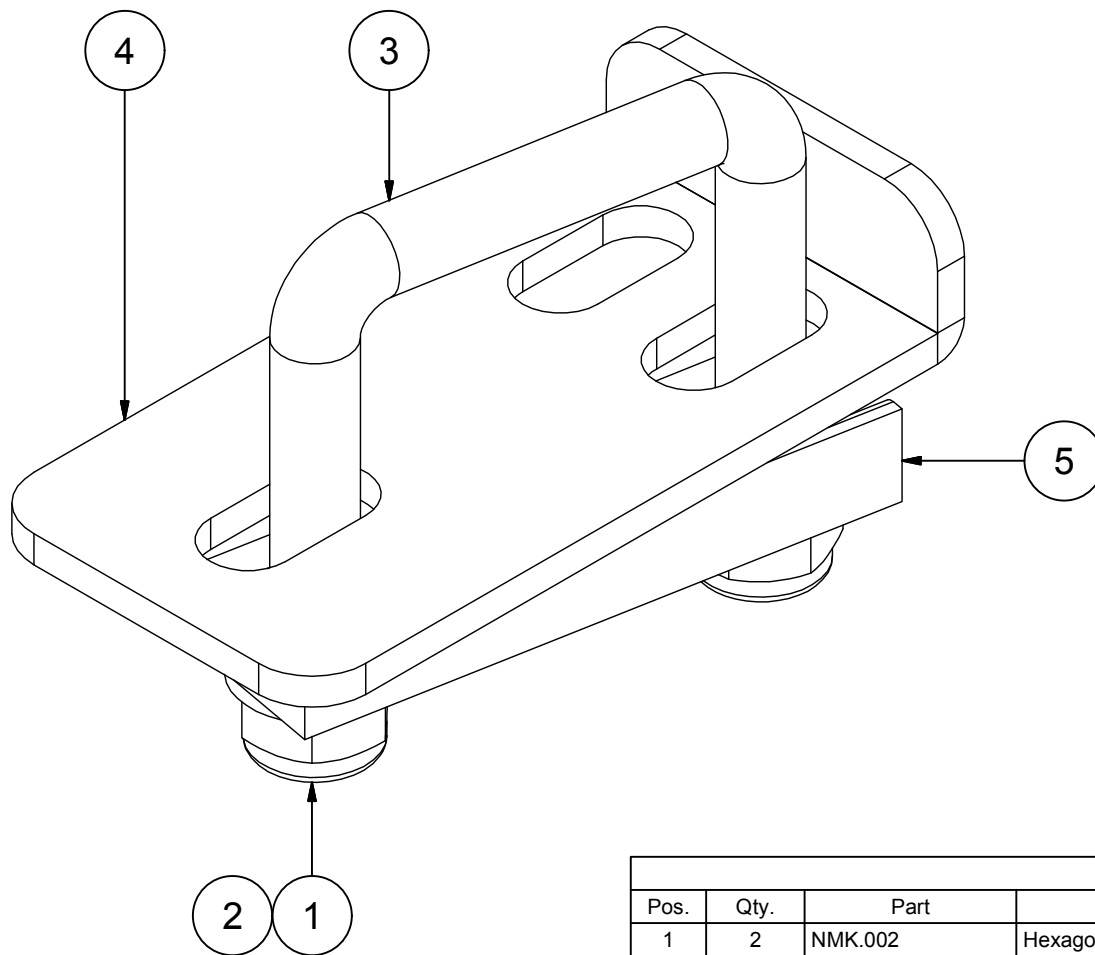
B

TSVD486

**VOGELSANG**



© Hugo Vogelsang Maschinenbau GmbH.



BOM			
Pos.	Qty.	Part	Description
1	2	NMK.002	Hexagon Nut M 12, DIN 985
2	2	NUS.005	Washer A 13,0 mm x 24 mm x 2,5 mm
3	1	THA.028	Rectangular Bracket M 12 60 mm x 70 mm, 30 mm
4	1	TSE0102	Holder 5 mm 1.0038
5	1	TSE0111	Stiffening 96 mm

Assembly Kit  
Stop

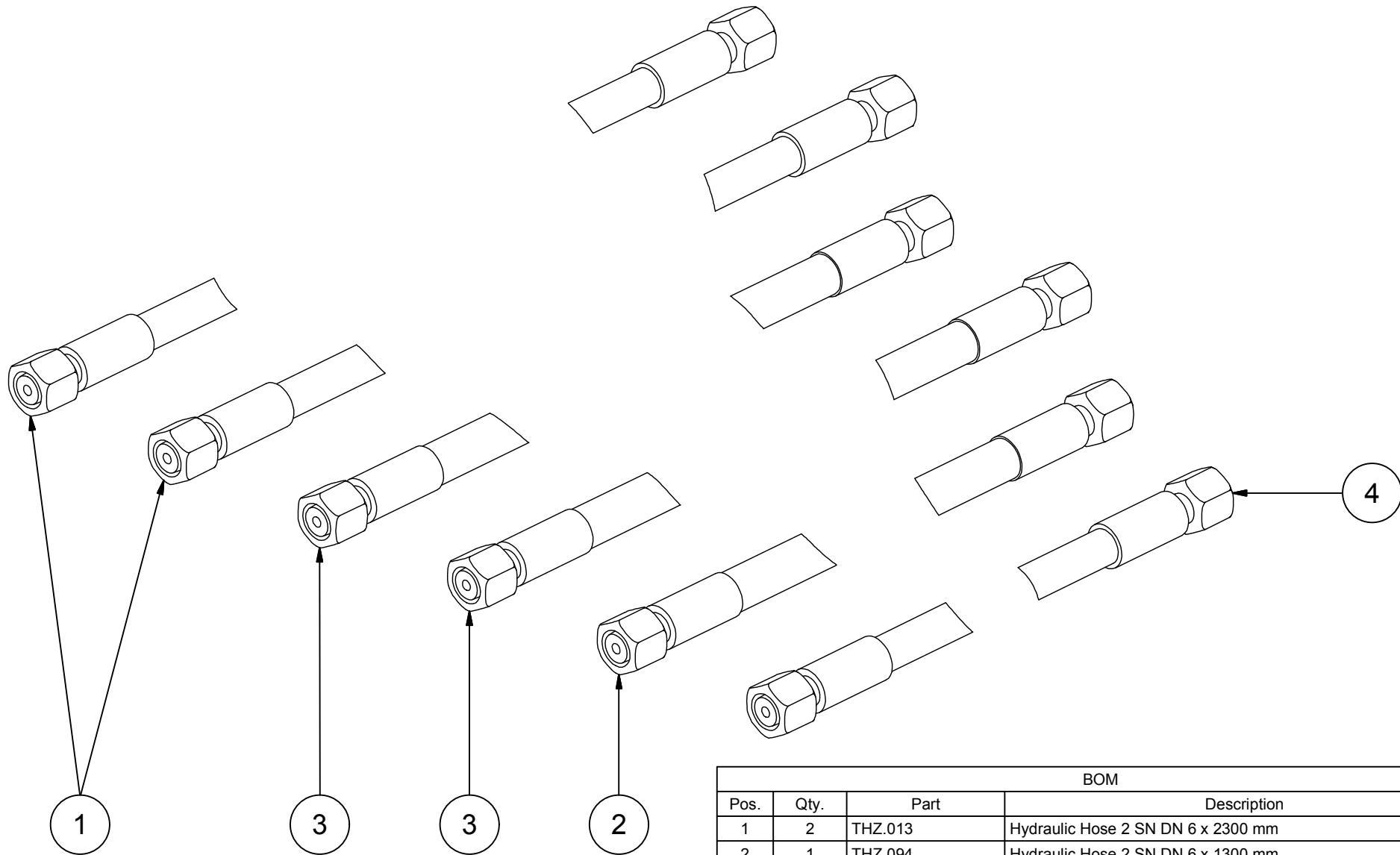
A

TSM198

**VOGELSANG**







BOM			
Pos.	Qty.	Part	Description
1	2	THZ.013	Hydraulic Hose 2 SN DN 6 x 2300 mm
2	1	THZ.094	Hydraulic Hose 2 SN DN 6 x 1300 mm
3	2	THZ.116	Hydraulic Hose 2 SN DN 6 x 1900 mm
4	1	THZ.117	Hydraulic Hose 2 SN DN 6 x 650 mm

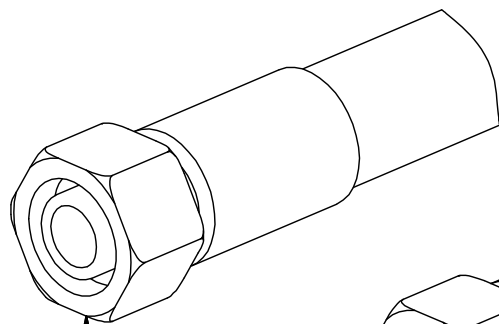
Hydraulic Line, Parts Kit  
SwingMax3

A

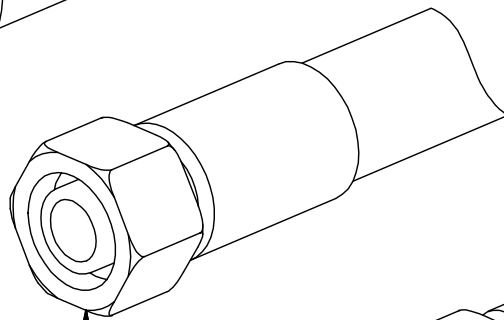
TE-10021

**VOGELSANG**

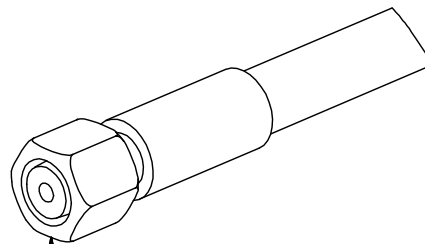




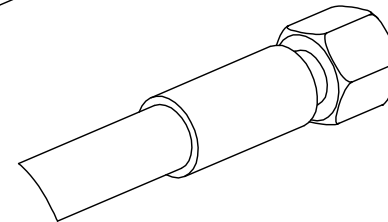
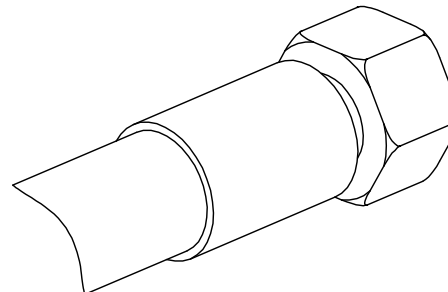
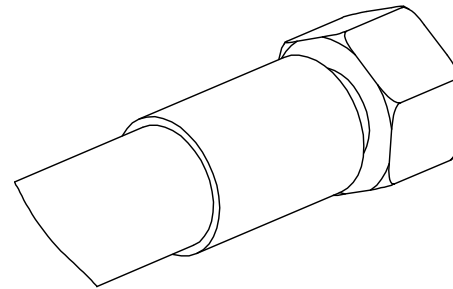
1



3



2



BOM			
Pos.	Qty.	Part	Description
1	1	THZ.120	Hydraulic Hose 2 SN DN 16 x 10000 mm
2	1	THZ.134	Hydraulic Hose 2 SN DN 6 x 7000 mm
3	1	THZ.136	Hydraulic Hose 2 SN DN 16 x 7000 mm

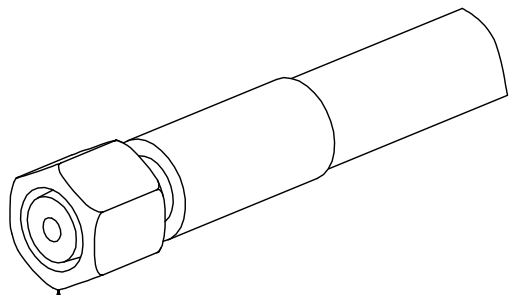
Hydraulic Line, Parts Kit  
 SwingMax3 24 m/ 24  
 mS

A

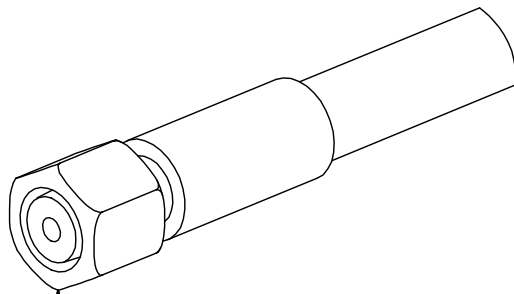
TE-0018

**VOGELSANG**

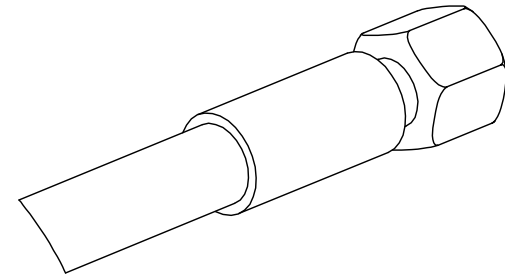
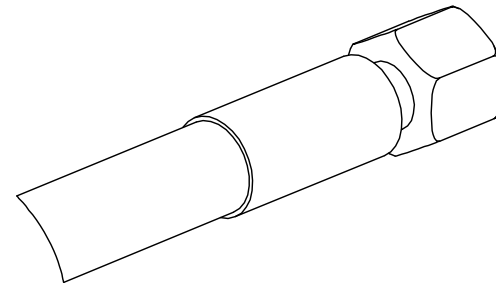




1



2



BOM			
Pos.	Qty.	Part	Description
1	1	THZ.094	Hydraulic Hose 2 SN DN 6 x 1300 mm
2	1	THZ.113	Hydraulic Hose 2 SN DN 6 x 900 mm

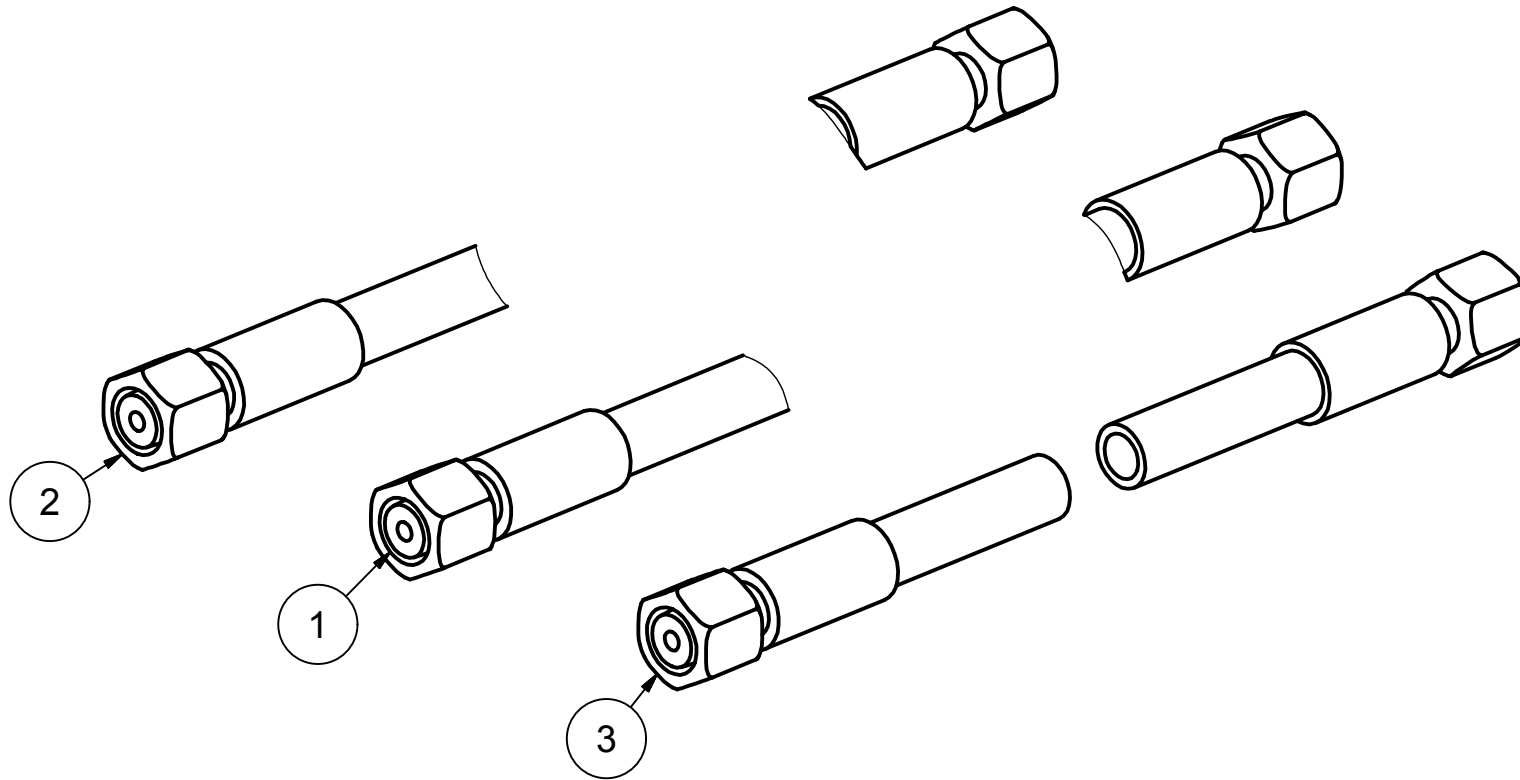
Hydraulic Line, Parts Kit  
 SwingMax3 18 m/  
 21 m/ 24 mS

A


TE-0104

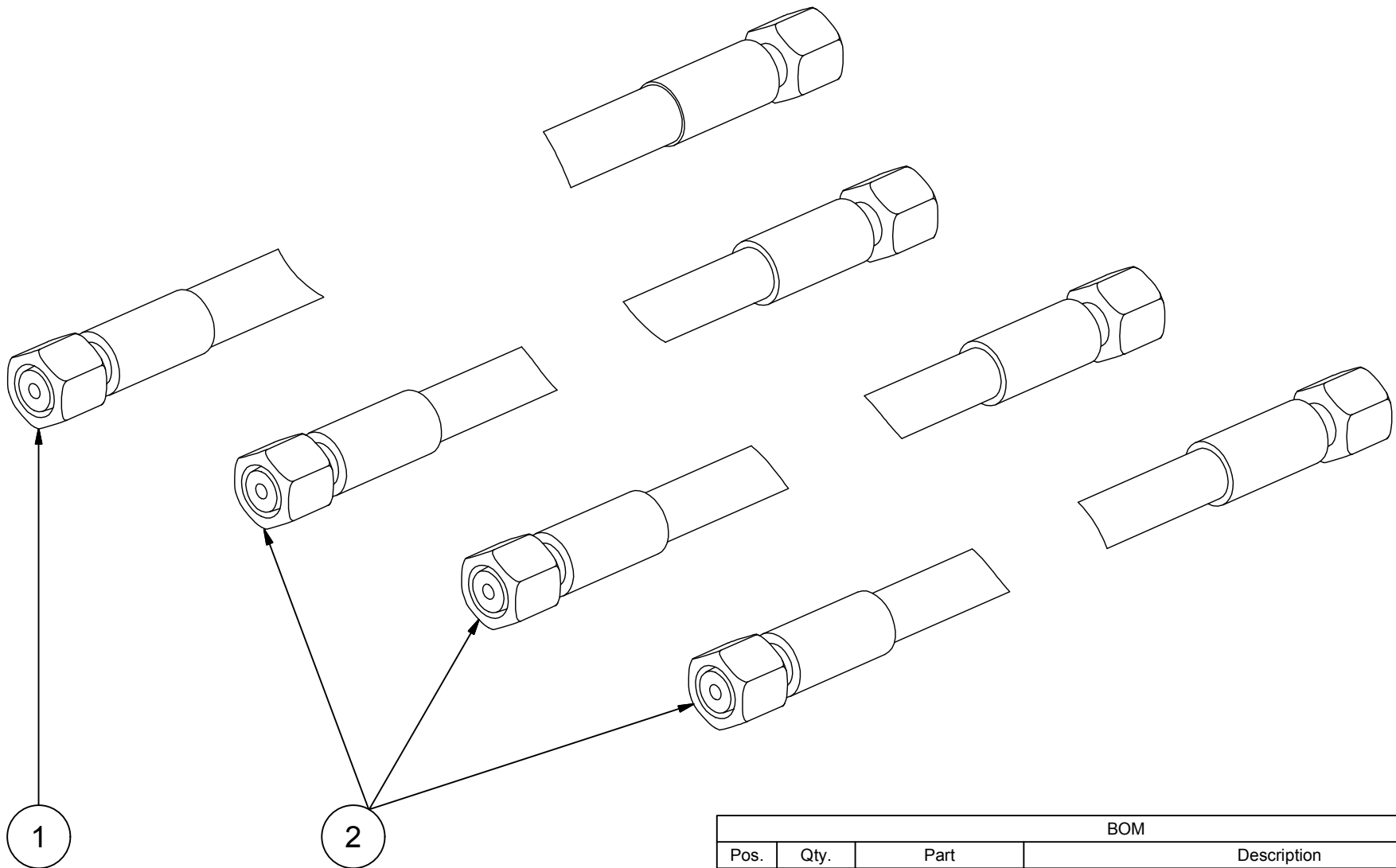
**VOGELSANG**






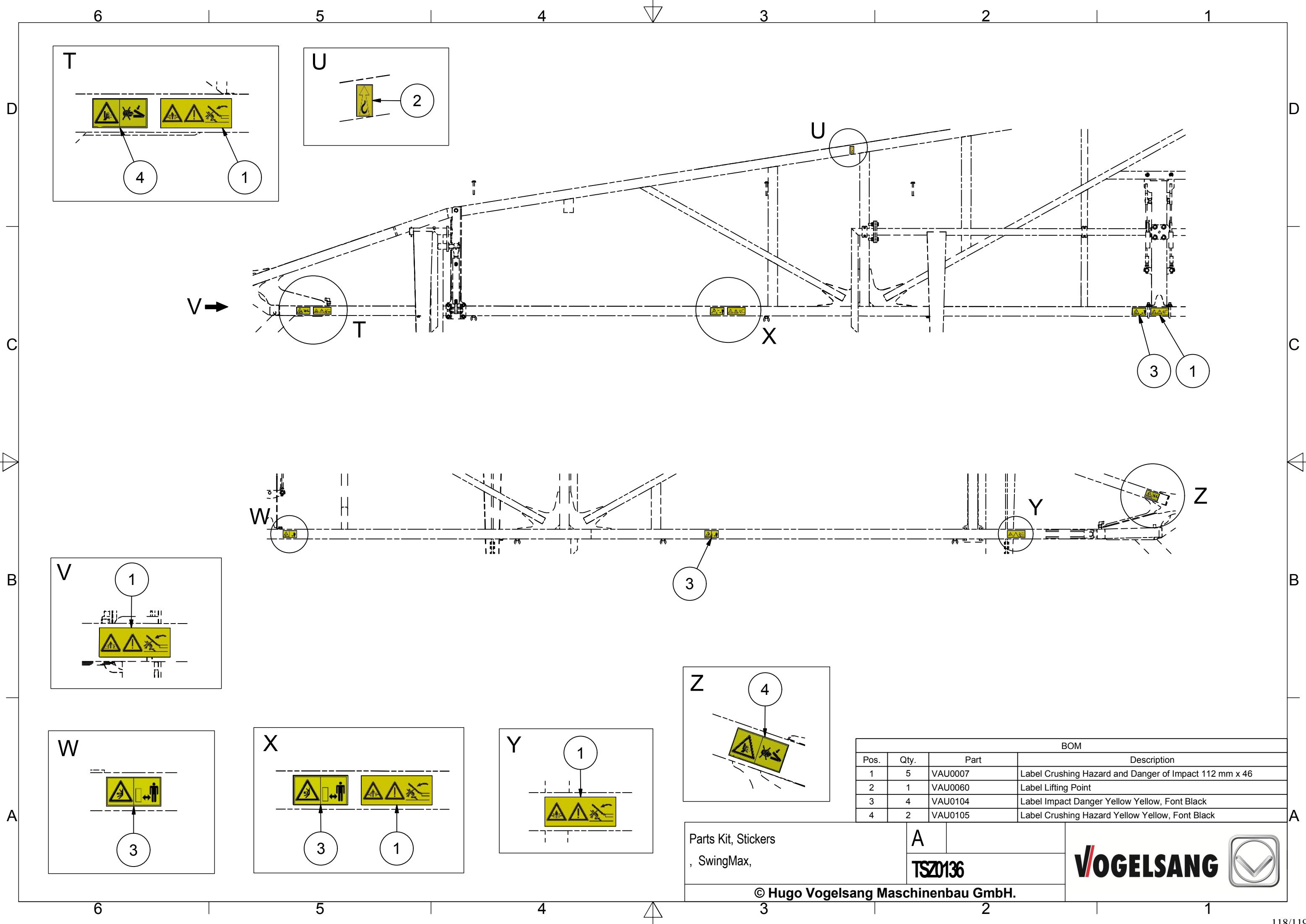
BOM			
Pos.	Qty.	Part	Description
1	1	THZ.013	Hydraulic Hose 2 SN DN 6 x 2300 mm
2	1	THZ.132	Hydraulic Hose 2 SN DN 6 x 3700 mm
3	1	THZ0055	Hydraulic Hose 2 SN DN 6 x 6000 mm

Hydraulic Line, Parts Kit SwingMax3 24 mS	B	
	TE-0011	



BOM			
Pos.	Qty.	Part	Description
1	1	THZ.019	Hydraulic Hose 2 SN DN 6 x 1800 mm
2	3	THZ.099	Hydraulic Hose 2 SN DN 6 x 1500 mm

Hydraulic Line, Parts Kit SwingMax3 24 mS	A	
	TEH0065	




BOM			
Pos.	Qty.	Part	Description
1	5	VAU0007	Label Crushing Hazard and Danger of Impact 112 mm x 46
2	1	VAU0060	Label Lifting Point
3	4	VAU0104	Label Impact Danger Yellow Yellow, Font Black
4	2	VAU0105	Label Crushing Hazard Yellow Yellow, Font Black

Parts Kit, Stickers  
 , SwingMax,

**A**

**TSZ0136**

**VOGELSHANG** 

© Hugo Vogelsang Maschinenbau GmbH.

**Vogelsang GmbH & Co. KG**

Holthöhe 10-14, 49632 Essen/Oldb., GERMANY

Phone: +49 (0) 5434 83 83 83  
+49 (0) 5434 83 99 99

Fax: +49 (0) 5434 83 10

**service@vogelsang.info**

www.vogelsang.info

**Vogelsang Lutherstadt Eisleben**

Gewerbegebiet Rothenschirmbach Nr. 8, 06295 Lutherstadt Eisleben, GERMANY

Phone: +49 (0) 34776 91 92 14

Fax: +49 (0) 34776 91 92 60

**ENGINEERED TO WORK****Australia**  
**Vogelsang Pty. Ltd.**  
vogelsang.com.au**Denmark**  
**Vogelsang A/S**  
vogelsang-as.dk**Italy**  
**Vogelsang Italy Srl**  
vogelsang-srl.it**Russia**  
**Vogelsang Russland**  
vogelsang.ru**USA**  
**Vogelsang USA Ltd.**  
vogelsangusa.com**Austria**  
**Vogelsang Austria GmbH**  
vogelsang-austria.at**Finland**  
**Vogelsang Oy**  
vogelsang.fi**Malaysia**  
**Vogelsang Malaysia**  
vogelsang.info**South Korea**  
**Vogelsang Korea Co., Ltd.**  
vogelsang.co.kr**Brasil**  
**Vogelsang Brasil Ltda.**  
vogelsang.com.br**France**  
**Vogelsang France S.A.R.L.**  
vogelsang.fr**Mexico**  
**Vogelsang De México**  
**S.de R.L. de CV**  
vogelsang.mx**Spain**  
**Vogelsang S.L.**  
vogelsang.es**China**  
**Vogelsang Mechanical**  
**Engineering (Shanghai) Co., Ltd.**  
vogelsang.com.cn**India**  
**Vogelsang India Private Limited**  
vogelsangindia.com**Poland**  
**Vogelsang Poland Sp. z o.o.**  
vogelsang.pl**Sweden**  
**Vogelsang Sverige AB**  
vogelsang.se**Czech Republic**  
**Vogelsang CZ s.r.o.**  
vogelsang-czech.cz**Ireland**  
**Vogelsang Irland**  
vogelsang.ie**Romania**  
**Vogelsang Romania SRL**  
vogelsang.ro**United Kingdom**  
**Vogelsang Ltd.**  
vogelsang.co.uk

We reserve the right to make technical modifications to the diagrams and information presented in this document in the event that such modifications become necessary for the enhancement of the machine.