



## Spare Parts List

Dribble bar liquid manure distributor

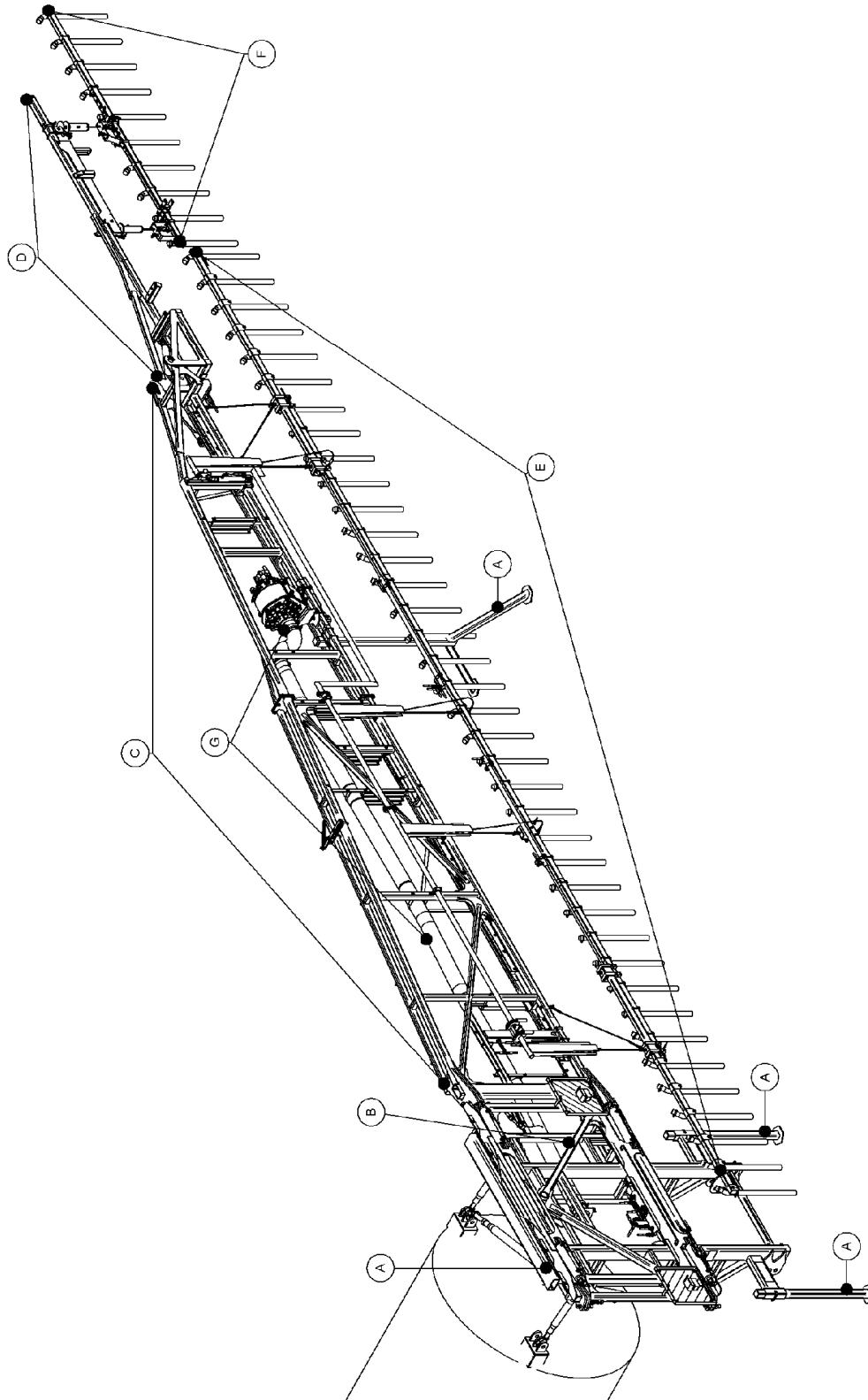
SwingMax3



With publication of this spare part list all previous editions become invalid.



Figure: Complete overview dribble bar linkage

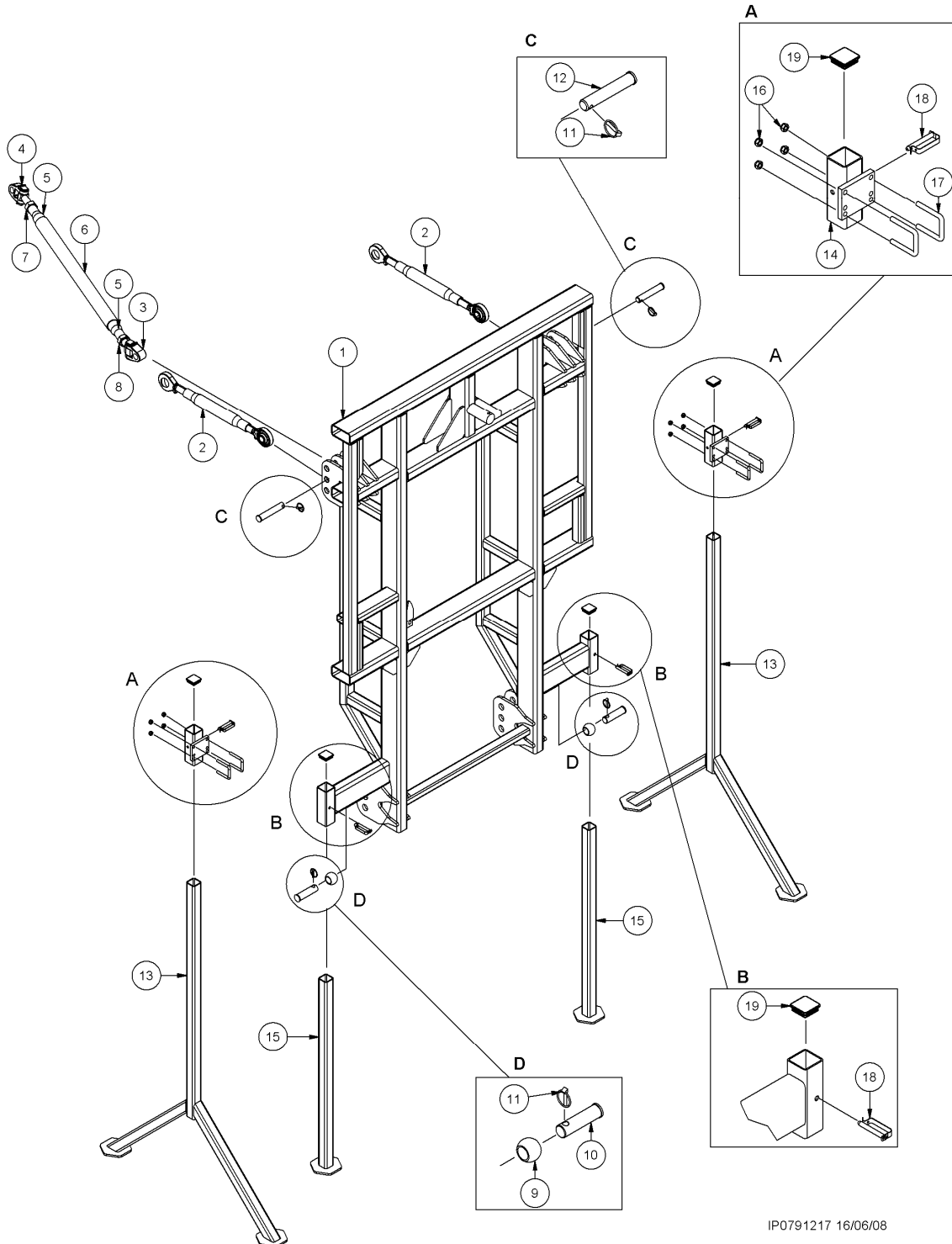


## Contents

Figure: Complete overview dribble bar linkage.....	2
<b>A. Support supporting frame and shutoff.....</b>	<b>4</b>
Figure A: Support supporting frame and shutoff.....	4
<b>Support, supporting frame.....</b>	<b>5</b>
<b>Shutoff.....</b>	<b>5</b>
<b>B. Supporting frame.....</b>	<b>6</b>
Figure B: Supporting frame complete overview.....	6
<b>Supporting frame.....</b>	<b>7</b>
<b>Pendulum stop.....</b>	<b>7</b>
<b>Warning sign and accessories.....</b>	<b>7</b>
<b>Seal support.....</b>	<b>7</b>
<b>Pulley and accessories.....</b>	<b>9</b>
<b>Pin set.....</b>	<b>9</b>
<b>Hydraulic cylinder.....</b>	<b>9</b>
Detail J.....	10
<b>Pendulum cylinder.....</b>	<b>11</b>
<b>Hydraulic parts.....</b>	<b>11</b>
<b>C. Boom.....</b>	<b>12</b>
Figure C: Inner boom.....	13
Figure D: Outer boom.....	14
<b>Boom.....</b>	<b>15</b>
<b>DropStop shaft accessories.....</b>	<b>15</b>
<b>Screws and accessories.....</b>	<b>16</b>
<b>DropStop shaft.....</b>	<b>16</b>
Detail H (in fig. C + fig. D).....	17
<b>Rope length adjustment and plain coil chain.....</b>	<b>17</b>
Detail J (in fig. C).....	18
Detail K (in fig. C).....	18
<b>DropStop actuation.....</b>	<b>18</b>
<b>Hydraulic parts.....</b>	<b>19</b>
<b>Tailhook.....</b>	<b>19</b>
Figure E Hose bracket inner boom S1-S7.....	20
<b>Hose bracket.....</b>	<b>23</b>
<b>D. TopSwing 180°.....</b>	<b>24</b>
Figure F: TopSwing 180°.....	24
Detail A.....	25
<b>End arm and accessories.....</b>	<b>26</b>
Detail B.....	27
Detail C.....	28
<b>Hose bracket.....</b>	<b>29</b>
<b>Rope guide.....</b>	<b>30</b>
Detail D.....	31
<b>Hydraulic parts.....</b>	<b>32</b>
<b>E. DropStop boom.....</b>	<b>33</b>
Figure G: DropStop boom.....	33
<b>Hydraulic parts.....</b>	<b>34</b>
<b>Square pipe DropStop boom.....</b>	<b>34</b>
Hose holder per hose.....	35
Hose holder per hose.....	36
Hose holder per hose.....	37
<b>Parts holder per hose.....</b>	<b>38</b>
<b>Parts holder per hose.....</b>	<b>39</b>
Detail H.....	40
<b>Ropes and accessories.....</b>	<b>40</b>
Detail K.....	41
<b>Hydraulic cylinder fastener.....</b>	<b>41</b>
<b>F. DropStop TopSwing 180°.....</b>	<b>42</b>
Figure H: DropStop TopSwing 180°.....	42
Detail L.....	43
Detail M.....	43
<b>Spare parts DropStop TopSwing.....</b>	<b>44</b>
<b>G. ExaCut wiring.....</b>	<b>45</b>
Figure K: ExaCut wiring.....	45
<b>Parts ExaCut wiring.....</b>	<b>46</b>

## A. Support supporting frame and shutoff

Figure A: Support supporting frame and shutoff



IP0791217 16/06/08

**Spare Parts List**

Dribble bar liquid manure distributor

SwingMax3



www.vogelsang.info

Support supporting frame and shutoff

**Support, supporting frame**

Position 1-12

Pos.	Part number	Description	Dimensions	Notes	Qty.
1	THM.327.T1	Support, supporting frame			1
2	GOL.004	Upper link thread	M36; 460 mm	When ordering spare parts, specify length of sleeve.	2
3-5	GOL.003	Upper link thread		Fork head; KAT3 contains items 3-5	(1)
3	TGA.003	Fork head		Right-hand thread; KAT 3	1
4	TGA.002	Fork head		Left-hand thread; KAT 3	1
5	TOL.002	Upper pivot bar sleeve	M26		1
6	ZHRS195.1000	Pipe	70 x 4	When ordering spare parts, specify length of sleeve.	1
7	NMS.028	Hex nut	M36 x 3	DIN 934-8; left-hand thread	1
8	NMS.027	Hex nut	M36 x 3	DIN 934-8; right-hand thread	1
9	GUL.002	Bottom pivot bar ball		KAT 3	2
10	GRS.015	Bottom pivot bar pin	36.6 x 115	KAT 3	2
11	NKL.002	Clip pin	12 x 45		4
12	GRS.014	Upper pivot bar pin	12 x 45		4

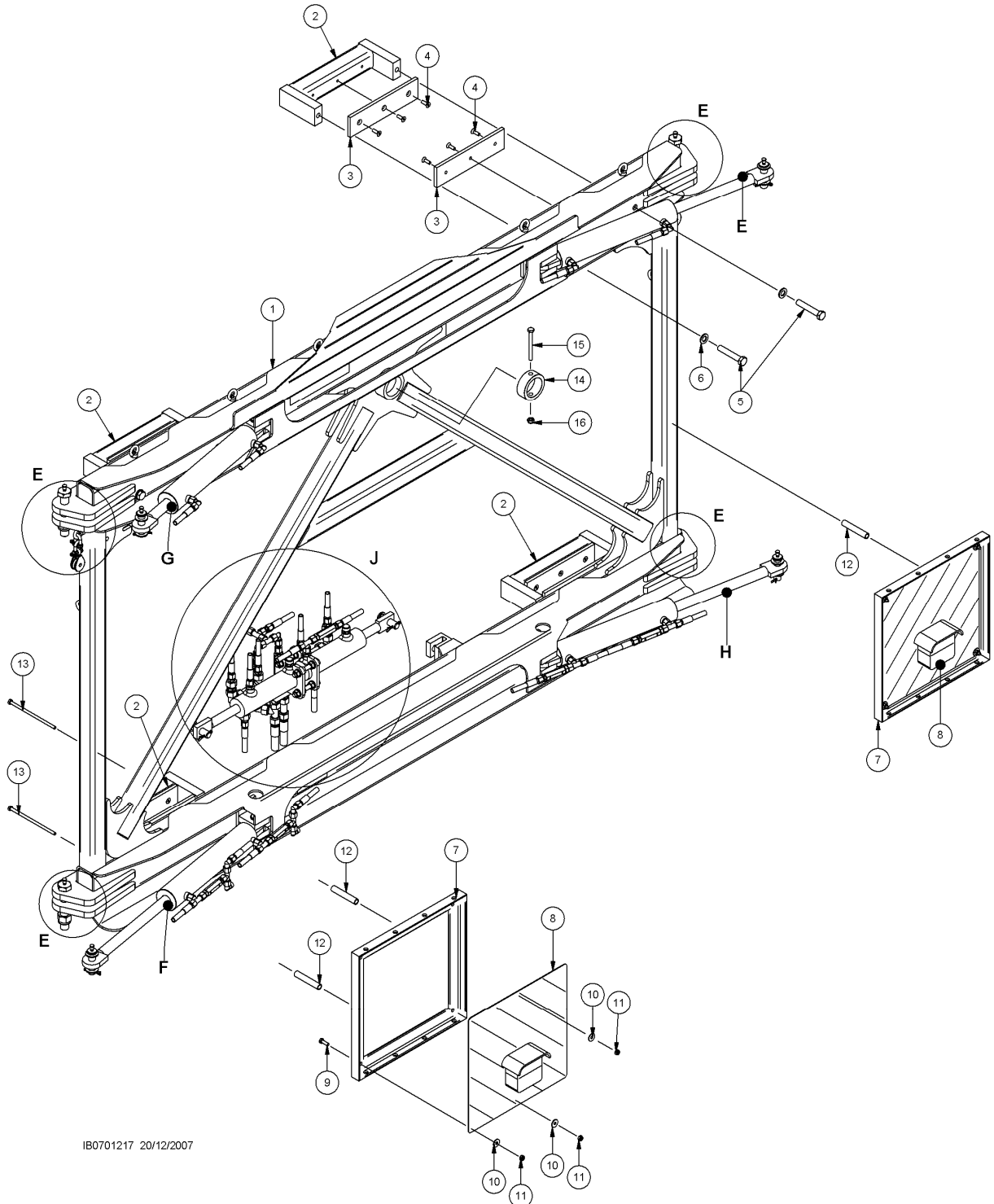
**Shutoff**

Position 13-19

Pos.	Part number	Description	Dimensions	Notes	Qty.
	TAF.063	Shutoff		>= 21 m contains items 11-16	(1)
13	TAF.062	Mounting foot	2000 mm		2
14	TAF.057	Support bracket			2
15	TAF.056.N1	Mounting foot	1200 mm		2
16	NMK.002	Hex nut	M12	DIN 985; self-locking	8
17	THA.032	Right-angle clip	M12 (60 x 60 x 30)		4
18	NBO.007	Spring cotter pin	12 x 80		4
19	NST.004	Square pipe plug	60 x 60 x 4		4

## B. Supporting frame

Figure B: Supporting frame complete overview



Supporting frame

**Supporting frame**

Pos. 1

Pos.	Part number	Description	Dimensions	Notes	Qty.
1	THR.125.N1.T1	Supporting frame	2488 x 1360		1
	THR.126.N1.T1	Supporting frame	2688 x 1360		

**Pendulum stop**

Position 2-6

Pos.	Part number	Description	Dimensions	Notes	Qty.
	TSE.417	Pendulum stop, complete		Contains items 2-4	(4)
2	TSE.121	Pendulum stop			4
3	TSE.418	Plastic track		For pendulum stop	8
4	NSE.001	Countersunk (flat) head screw	M8 x 25	DIN 963-4	24
5	NSK.166	Hex head screw	M16 x 90	DIN 931	8
6	NUS.007	Washer	A 17 x 30 x 3	DIN 125	8

**Warning sign and accessories**

Pos. 7-13

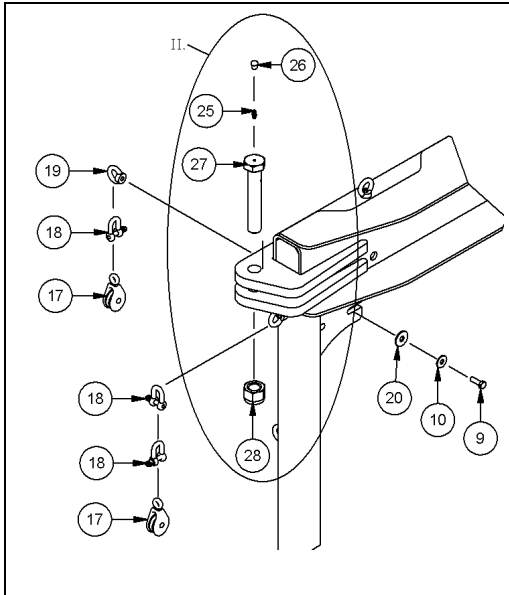
Pos.	Part number	Description	Dimensions	Notes	Qty.
7	TSE.122	Frame for warning sign			2
8	ELE.005	Warning sign with lighting set			1
9	NSK.019	Hex head screw	M8 x 25	DIN 933	10
10	NUS.018	Washer	8.4 x 24 x 2	DIN 9031	12
11	NMK.004	Hex nut	M8	Self-locking	12
12	ZHRS226.0095	Pipe section	3/8"		4
13	NSK.095	Hex head screw	M8 x 180	DIN 931	4

**Seal support**

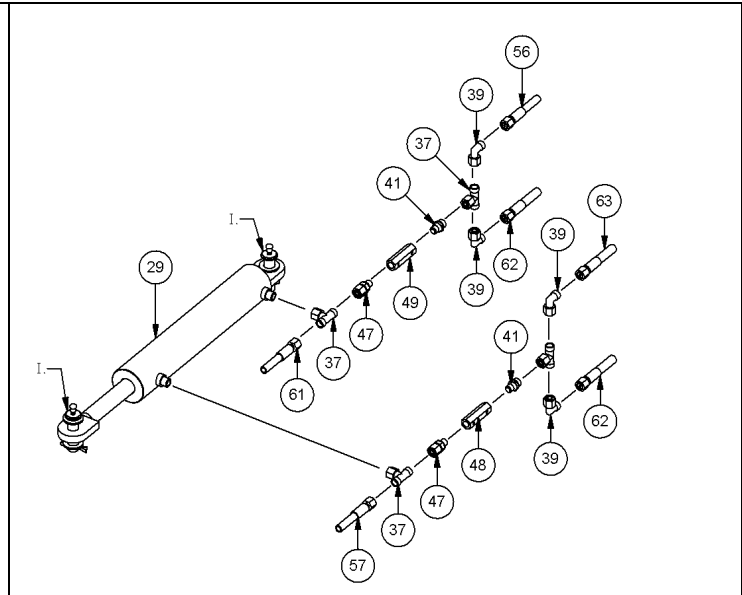
Position 14-16

Pos.	Part number	Description	Dimensions	Notes	Qty.
14	TSE.063	Seal support			1
15	NSK.012	Hex head screw	M10 x 100	DIN 931	1
16	NMK.001	Hex nut	M10	DIN 985; self-locking	1

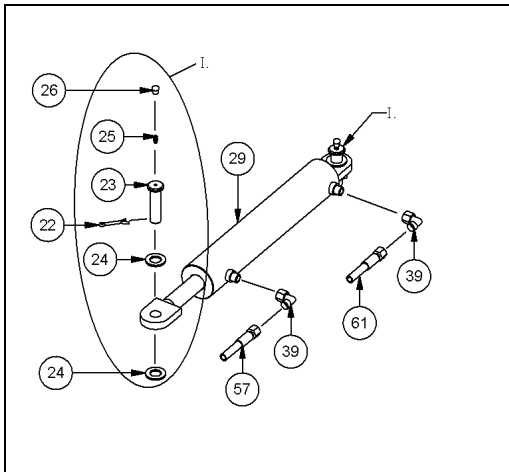
Detail E



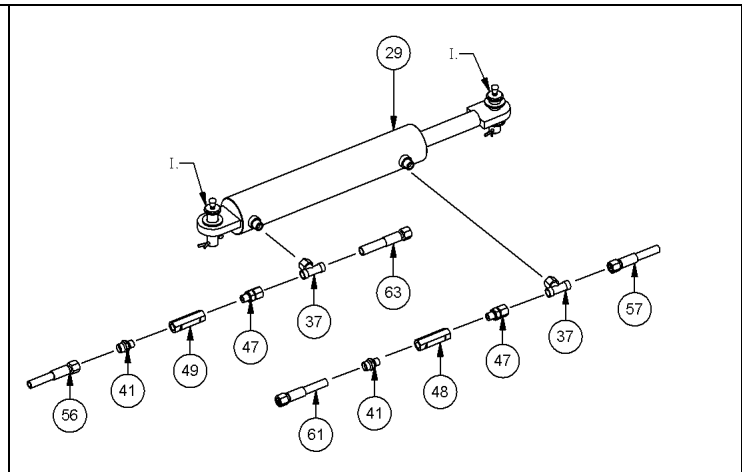
Detail F



Detail G



Detail H





**Spare Parts List**

Dribble bar liquid manure distributor

SwingMax3



www.vogelsang.info

Supporting frame

**Pulley and accessories****Position 14-16**

Pos.	Part number	Description	Dimensions	Notes	Qty.
17	NSR.018	Pulley			4
18	NSC.032	Clevis	8 mm	DIN 82101 A	6
19	NMK.015	Eye nut	M8	DIN 582	2
20	NUS.026	Washer	A 10.5 x 30 x 2.5		2

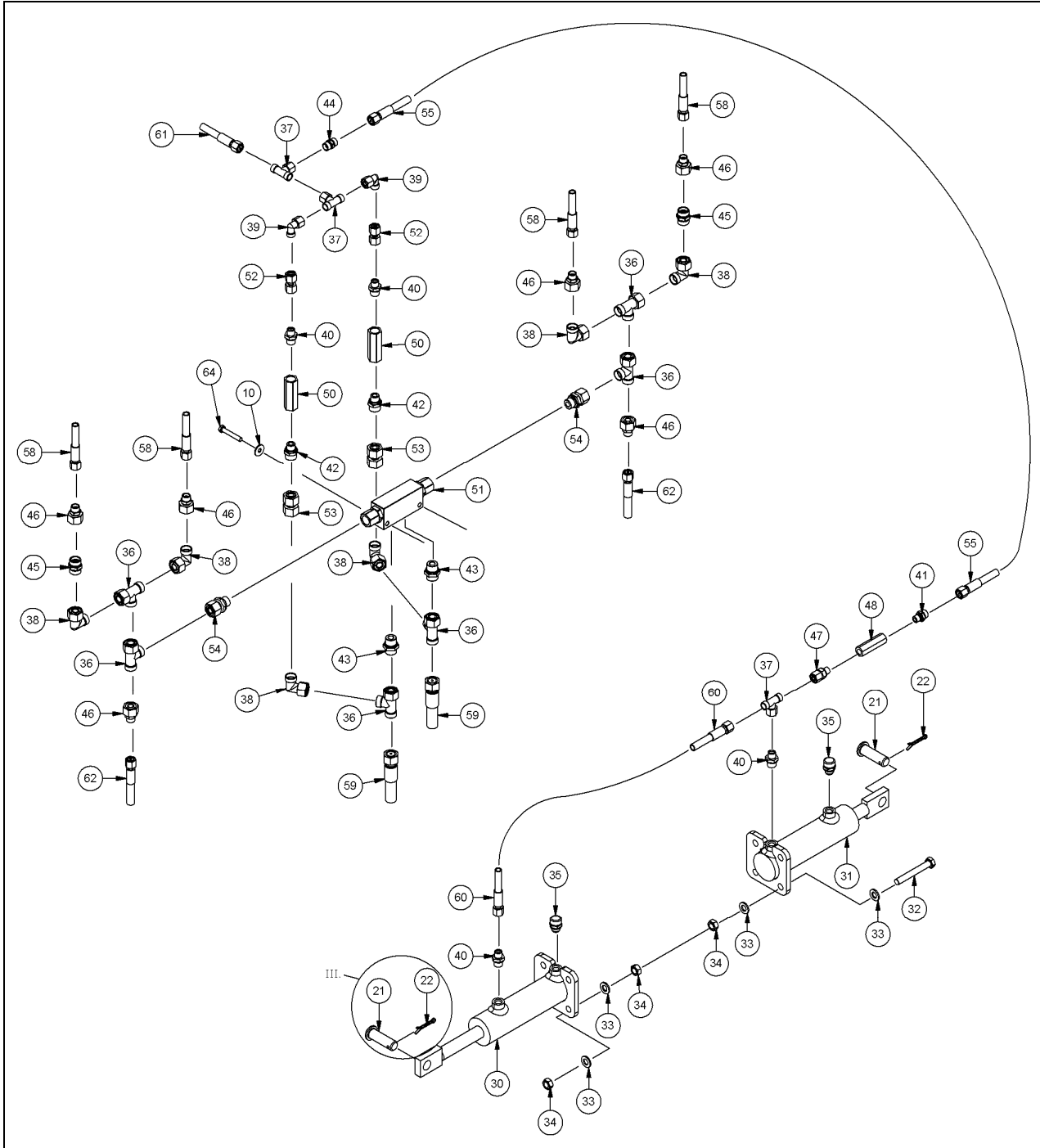
**Pin set****Position 21-28**

Pos.	Part number	Description	Dimensions	Notes	Qty.
I.	TSZ0013	Pin set, hydraulic cylinder		SwingMax3 27/30 contains items 23.1; 25; 26; 28.1	(8)
	TSZ.501	Pin set, hydraulic cylinder		SwingMax 3 18/21/24 contains items 22; 23; 24 (x 2); 26	(8)
II.	TSZ.502	Pin set connection, booms		Contains items 25-28	(4)
III.	TSZ.500	Pin set, pendulum cylinder		Contains items 21-22	(2)
21	NBO.008	Bolt	20 x 60 x 55	ISO 2341	
22	NSP.012	Spring cotter	5 x 40	DIN EN ISO 1234	
23	NBO.034	Bolt	20 x 72.5 x 67.5	ISO 2341	
23.1	TBO.011	Bolt			
24	NUS.008	Washer	A 21 x 37 x 3	DIN 125	
25	NKS.008	Grease nipple	H1 M6 x 1	Straight	
26	BKA.001	Grease nipple cap	GPN 985		
27	TBO.008	Bolt			
28	NMK.006	Hex nut	M24	DIN 985-6; self-locking	
28.1	NMK.005	Hex nut	M20	DIN 985-6; self-locking	

**Hydraulic cylinder****Position 29**

Pos.	Part number	Description	Dimensions	Notes	Qty.
29	AHZ.036.T1	Hydraulic cylinder	D60/30	SwingMax3 27/30 300 stroke	4
	AHZ.036	Hydraulic cylinder	D60/30	SwingMax3 18/21/24 300 stroke	4

Detail J



For hydraulic hoses, only beginning and/or end shown.

Spare Parts List

Dribble bar liquid manure distributor

SwingMax3



www.vogelsang.info

Supporting frame

**Pendulum cylinder**

**Position 30-34**

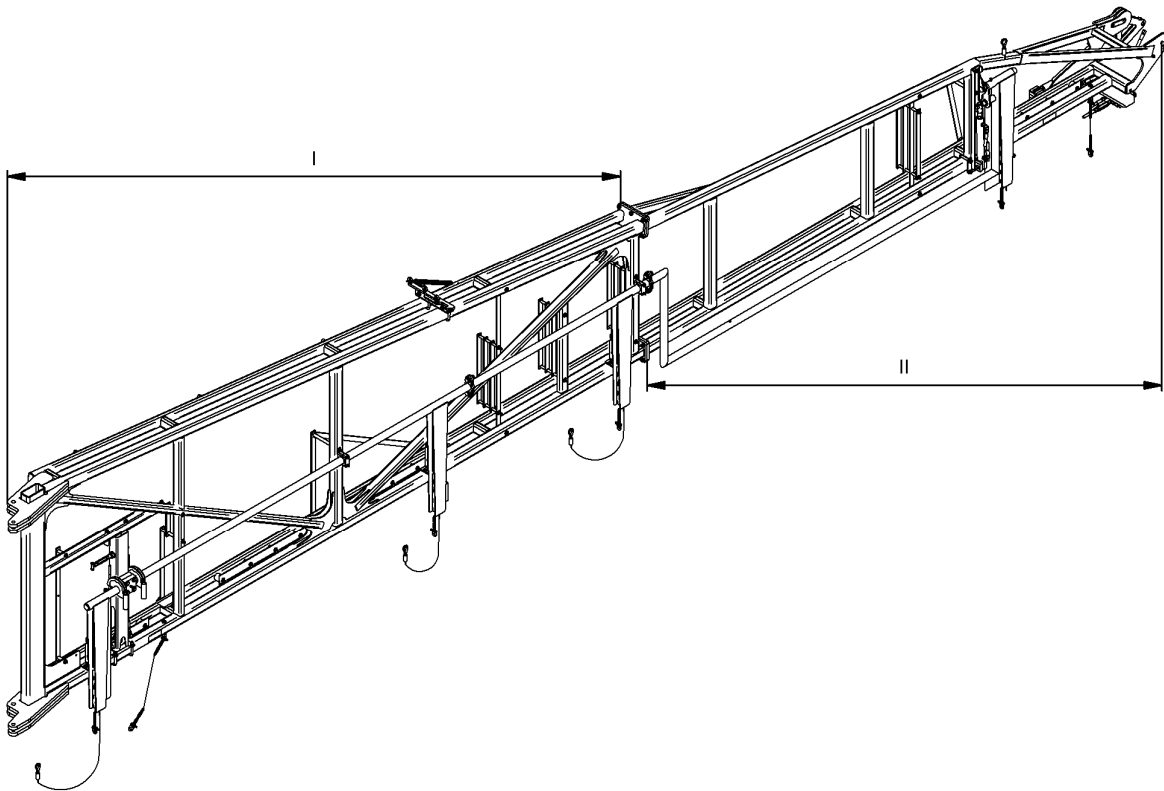
Pos.	Part number	Description	Dimensions	Notes	Qty.
	TSE.092.N	Complete pendulum cylinder		Contains: Items 30-34	(1)
30	AHZ.041.T1	Hydraulic cylinder		125 mm stroke	1
31	AHZ.041.T1	Hydraulic cylinder		125 mm stroke	1
32	NSK.133	Hex head screw	M12 x 90	DIN 933	4
33	NUS.005	Washer	A 13 x 24 x 2.5	DIN 125	16
34	NMS.004	Hex nut	M12	DIN 934	12

**Hydraulic parts**

**Position 35-64**

Pos.	Part number	Description	Dimensions	Notes	Qty.
35	NGE.104	Breather	3/7"		2
36	NGE.006	T-connection	LEL 15	Pre-installed	6
37	NGE.036	T-connection	TEL 10	Pre-installed	9
38	NGE.018	Elbow joint	EEL 15L	Pre-installed	6
39	NWE.003	Elbow joint	EEL 10	Pre-installed	10
40	NGE.005	Pipe fitting	XAL 10 R 3/8"		4
41	NGE.003	Pipe fitting	XAL 10 R 1/4"		5
42	NGE.026	Pipe fitting	XAL 15 R 3/8"		2
43	NGE.009	Pipe fitting	XAL 15 R 1/2"		2
44	NGE.043	Pipe fitting	XDL 10		1
45	NGE.045	Pipe fitting	XDL 15		2
46	NGE.049	Pipe fitting	KORL 15-10	Pre-installed	6
47	NGE.025	Pipe fitting	RAL 10 R 1/4" WD		5
48	NDV.003	Two-way flow control valve	R 1/4		3
49	NDV.021	Two-way flow control valve	R 1/4		2
50	AHV.021	Check valve			2
51	AHV.046.T1	Check valve		Double unlockable	1
52	NGE.008	O-ring twin connector	GVO 10L-10L		2
53	NGE.007	O-ring twin connector	GVO 15L-15L		2
54	NGE.056	Screw connection	RAL 15 R 1/2"		2
55	THZ.112	hydraulic hose	1SN DN6 x 560	DKL/DKL	1
56	THZ.131	hydraulic hose	1SN DN6 x 1100	DKL/DKL	1
57	THZ.115	hydraulic hose	1SN DN6 x 1700	DKL/DKL	2
58	THZ.138	hydraulic hose	1SN DN6 x 5000	DKL/DKL	4
59	THZ.082	hydraulic hose	1SN DN13 x 2130	DKL/DKL	2
60	THZ.097	hydraulic hose	1SNC DN6 x 300	DKL 10L/DKL 10L	1
61	THZ.013	hydraulic hose	1SNC DN6 x 2300	BESK 10L/BESK 10L	3
62	THZ.094	hydraulic hose	2SNC DN6 x 1300	BESK 10L/BESK 10L	2
63	THZ.019	Hydraulic hose	2SNC DN6 x 1800	BESK 10L/BESK 10L	1
64	NSK.023	Hex head screw	M8 x 50	DIN 931	2

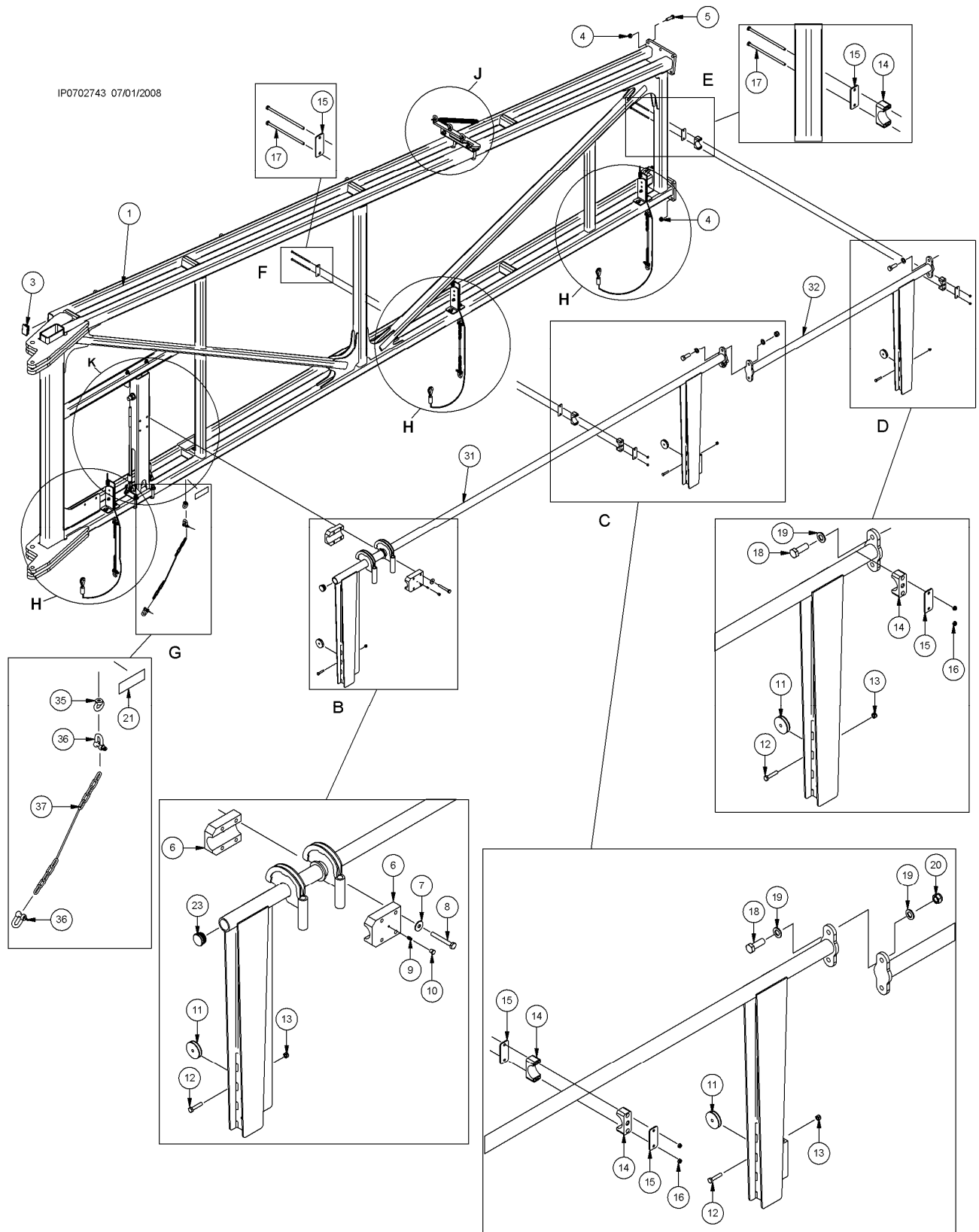
## C. Boom



I	Inner boom
II	Outer boom

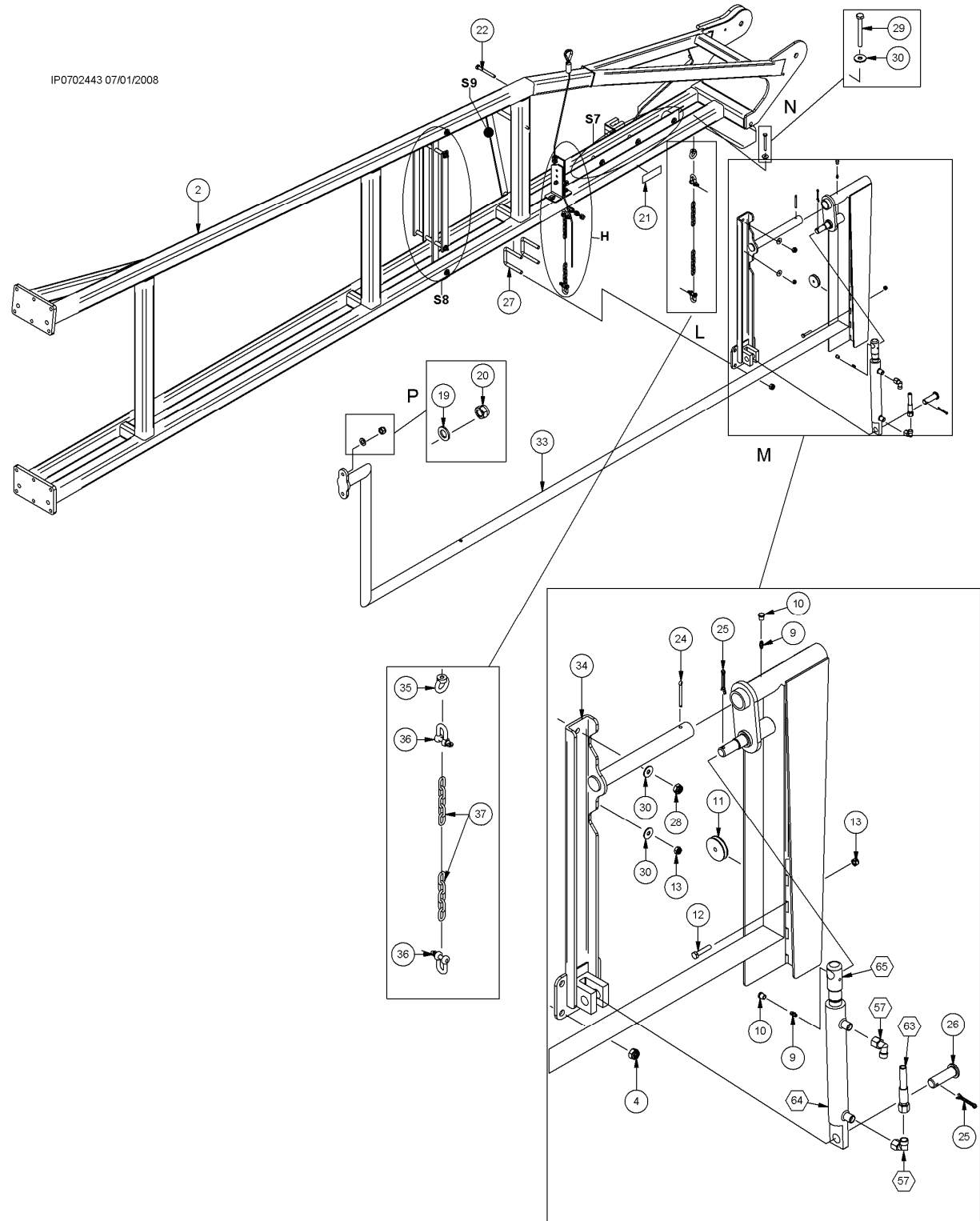
The right boom is illustrated; the left boom is a mirror image.

Figure C: Inner boom



IP0702743 07/01/2008

Figure D: Outer boom



**Spare Parts List**

Dribble bar liquid manure distributor

SwingMax3



www.vogelsang.info

Boom

**Boom****Position 1-5**

Pos.	Part number	Description	Dimensions	Notes	Qty.	Quantity left site	Quantity right site
1	TSA.055.TL	Boom		Inner		1	-
	TSA.055.TR	Boom		Inner		-	1
2	TSA.057.TL	Boom		Outer		1	-
	TSA.057.TR	Boom		Outer		-	1
3	NST.005	Square pipe plug	GPN 270			4	4
4	NMK.002	Hex nut	M12	DIN 985; self-locking		28	28
5	NSK.170	Hex head screw	M12 x 45	DIN 931		12	12

**DropStop shaft accessories****Position 6-17**

Pos.	Part number	Description	Dimensions	Notes	Qty.	Quantity left site	Quantity right site
6	TLA.005	Half bearing				2	2
7	NUS.026	Washer	A 10.5 x 30 x 2.5	DIN 9021		8	8
8	NSK.010	Hex head screw	M10 x 80	DIN 931		4	4
9	NKS.008	Grease nipple	H1 M6 x 1	Straight		6	6
10	BKA.001	Grease nipple cap				6	6
11	NSR.030	Rope sheave	d=50			4	4
12	NSK.022	Hex head screw	M8 x 40			5	5
13	NMK.004	Hex nut	M8	DIN 985; self-locking		43	43
14	TLA.003	Pair of half shell				4	4
15	NRS.017	Cover plate		Pipe clamp		6	6
16	NMK.003	Hex nut	M6	DIN 985; self-locking		4	4
17	NSK.128	Hex head screw	M6 x 140	DIN 931		4	4

**Spare Parts List**

Dribble bar liquid manure distributor

SwingMax3



www.vogelsang.info

Boom

**Screws and accessories****Position 18-30**

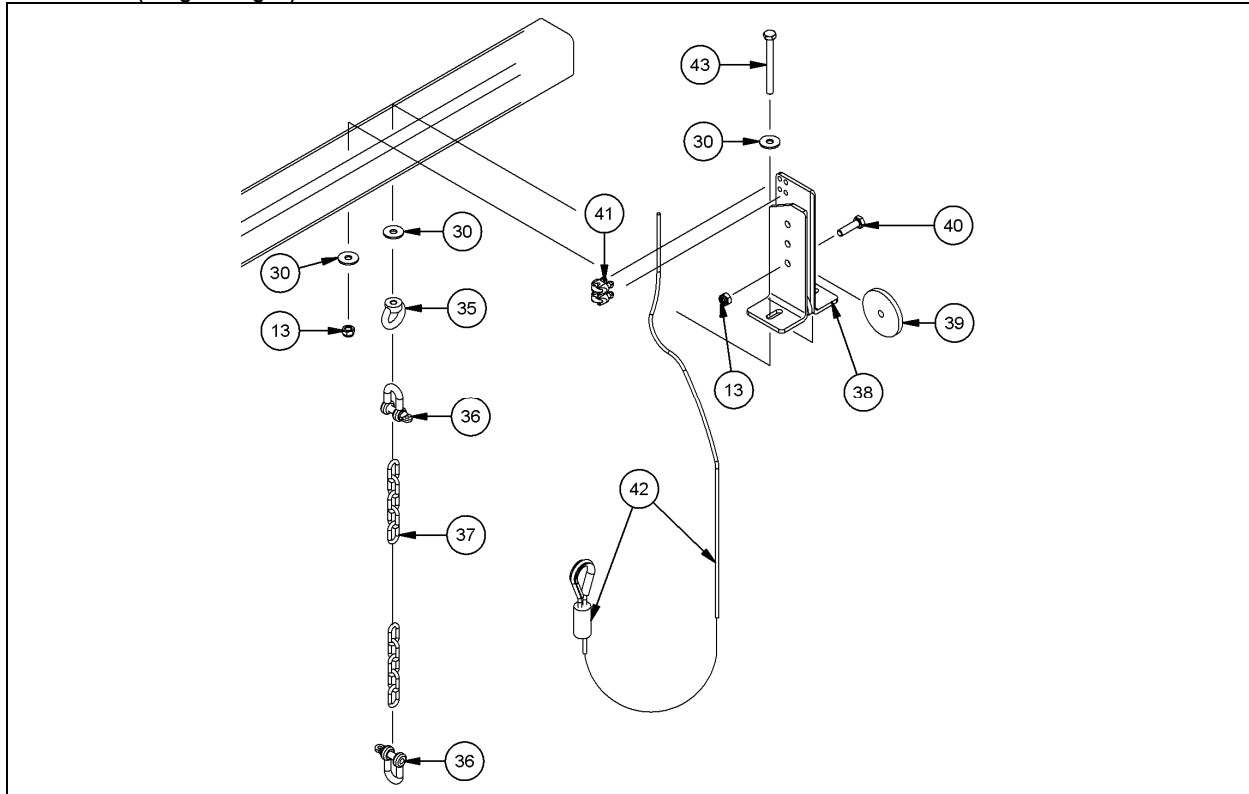
Pos.	Part number	Description	Dimensions	Notes	Qty.	Quantity left site	Quantity right site
18	NSK.054	Hex head screw	M16 x 45	DIN 933		4	4
19	NUS.007	Washer	A 17 x 30 x 3	DIN 125		8	8
20	NMK.007	Hex nut	M16	DIN 985; self-locking		4	4
21	VAU0002	Sticker				2	2
22	NSK.011	Hex head screw	M10 x 90	DIN 931		1	1
23	NST.021	Plug				1	1
24	NSP.018	Spring cotter	5 x 50	DIN 94		1	1
25	NSP.012	Spring cotter	5 x 40	DIN EN ISO 1234		9	9
26	NBO.008	Bolt	B 20 x 60 x 55	ISO 2341		3	3
27	THA.032	Right-angle clip	M12	60 x (60+30)		7	7
28	NMK.001	Hex nut	M10	DIN 985; self-locking		5	5
29	NSK.061	Hex head screw	M8 x 70	DIN 931		4	4
30	NUS.018	Washer	8.4 x 24 x 2	DIN 9021		111	111

**DropStop shaft****Position 31-34**

Pos.	Part number	Description	Dimensions	Notes	Qty.	Quantity left site	Quantity right site
31	TSE.401.TL	DropStop shaft		Inner; left arm		1	-
	TSE.401.TR	DropStop shaft		Inner; right arm		-	1
32	TSE.407.TL	DropStop shaft		Centre; left arm		1	-
	TSE.407.TR	DropStop shaft		Centre; right arm		-	1
33	TSE.403.TL	DropStop shaft		Outer; left arm		1	-
	TSE.403.TR	DropStop shaft		Outer; right arm		-	1
34	TSE.197.T1.TL	Cylinder fastener		DropStop left arm		1	-
	TSE.197.T1.TR	Cylinder fastener		DropStop right arm		-	1



Detail H (in fig. C + fig. D)



**Rope length adjustment and plain coil chain**

Position 34-43

Pos.	Part number	Description	Dimensions	Notes	Qty.	Quantity left site	Quantity right site
34	NUS.018	Washer	8.4 x 24 x 2	DIN 9021		111	111
35	NMK.015	Eye nut	M8	DIN 582		20	20
36	NSC.032	Clevis	8 mm	DIN 82101 A		21	21
37	NKE.005	Plain coil chain	4.3 x 22 x 8.2	DIN 5685-G		14	14
	TSE.424	Rope length adjustment		Complete; contains items 13/ 38/ 39/ 40+ 2 x 41		4	4
38	TSE.011	Rope length adjustment				(4)	(4)
39	NUS.001	Washer	8.5 x 60 x 6			(4)	(4)
40	NSK.020	Hex head screw	M8 x 30	DIN 933		(8)	(8)
41	TMB.015	Rope clip	4 mm			(8)	(8)
42	HDS.005	Wire rope	4 mm x 2 m			4	(4)
43	NSK.062	Hex head screw	M8 x 80	DIN 931		14	14

**Spare Parts List**

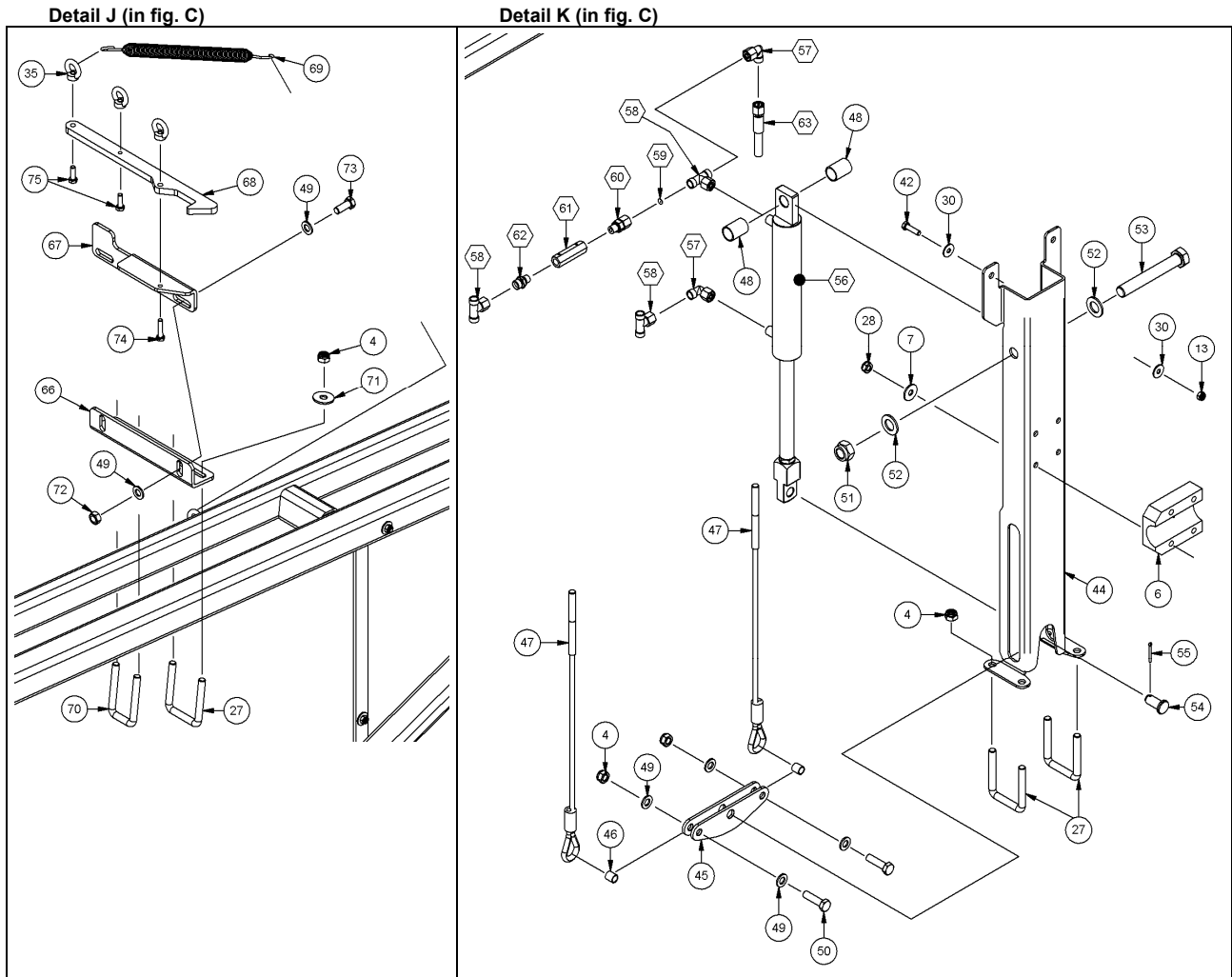
Dribble bar liquid manure distributor

SwingMax3



www.vogelsang.info

Boom



**DropStop actuation**

Position 44-55

Pos.	Part number	Description	Dimensions	Notes	Qty.	Quantity left site	Quantity right site
44	RFL.1182	Actuation		DropStop		1	1
45	RFL.1183	Handle		DropStop actuation		2	2
46	ZHRS045.0016	Hydraulic pipe	15 x 1,5 x 16	Galvanized		2	2
47	TSE.332	Wire rope	8 mm			2	2
48	ZHRS015.0037	Pipe	3/4"			2	2
49	NMK.005	Hex nut	M20	DIN 985; self-locking		2	2
50	NSK.031	Hex head screw	M12 x 45	DIN 933		2	2
51	NMK.005	Hex nut	M20	DIN 985; self-locking		5	5
52	NUS.008	Washer	A 21 x 37 x 3	DIN125		4	4
53	NSK.116	Hex head screw	M20 x 140	DIN 931		1	1
54	NBO.035	Bolt	16 x 35 x 29	DIN EN 22341		1	1
55	NSP.011	Spring cotter	3.2 x 32	DIN 94		1	1

**Spare Parts List**

Dribble bar liquid manure distributor

SwingMax3



www.vogelsang.info

Boom

**Hydraulic parts**

Position 56-65

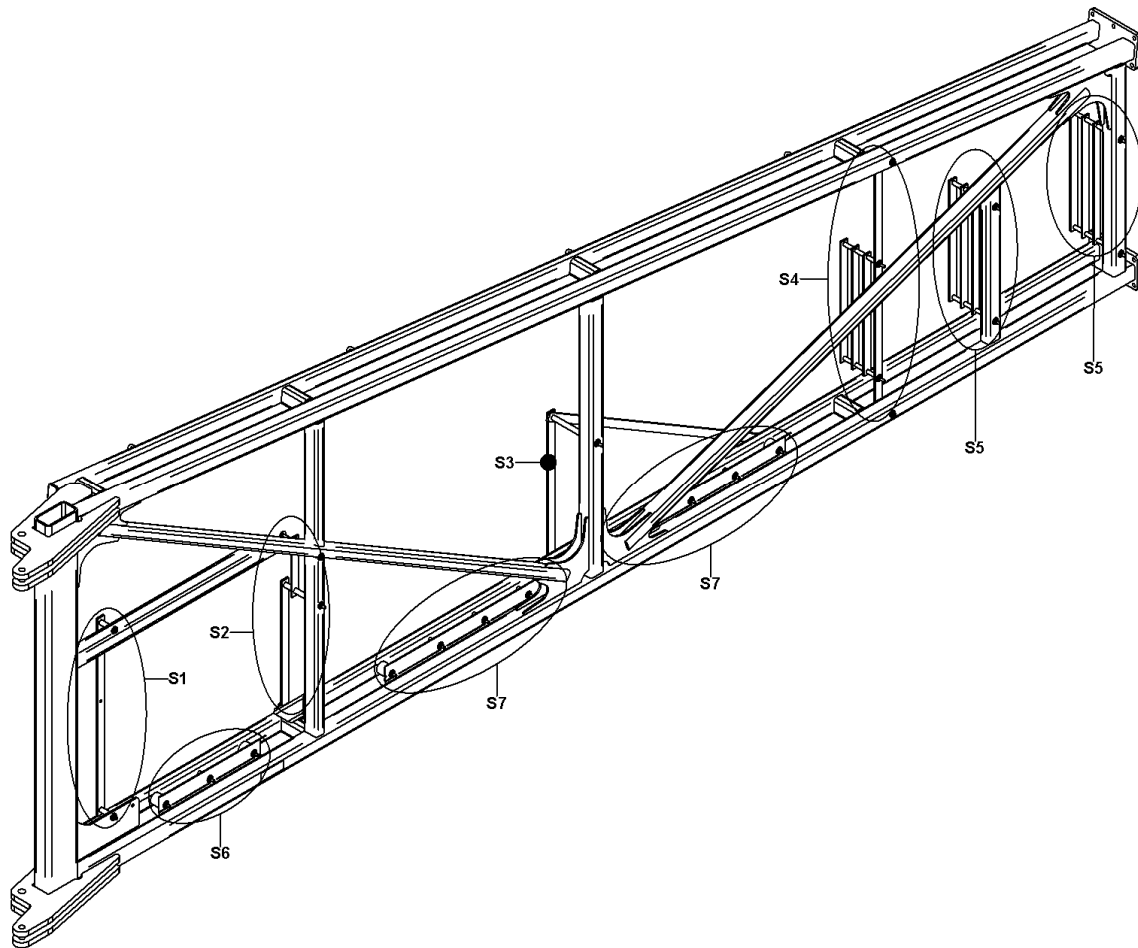
Pos.	Part number	Description	Dimensions	Notes	Qty.	Quantity left site	Quantity right site
56	AHZ.018	Hydraulic cylinder	Ø40 x Ø25x 200			1	1
57	NWE.003	Elbow joint	EEL 10	Pre-installed		18	18
58	NGE.036	T-connection	TEL 10	Pre-installed		10	10
59	NDV.014	Throttle plate	0,6 mm			1	1
60	NGE.025	Pipe fitting	RAL 10 R 1/4" WD			5	5
61	NDV.006	Two-way flow control valve	R 1/4	Type 1		1	1
62	NGE.003	Pipe fitting	XAL 10 R 1/4"			4	4
63	THZ.149	1 SN-DN , DKL/DKL	6 x 8000			1	1
64	TGA.009	Swivel head	M16			4	4
65	AHZ.017	Hydraulic cylinder	Ø32 x Ø20x 200			1	1

**Tailhook**

Position 66-75

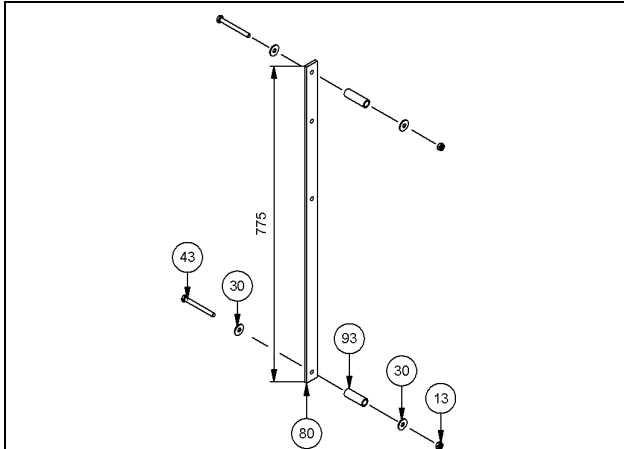
Pos.	Part number	Description	Dimensions	Notes	Qty.	Quantity left site	Quantity right site
66	TSE.209	Catch hook holder		On arm		1	1
67	TSE.208.TL	Catch hook holder		Left		1	-
	TSE.208.TR	Catch hook holder		Right		-	1
68	RFL.603	Catch hook		DropStop		1	1
69	NFE.004	Tension spring				1	1
70	THA.034	Right-angle clip	M12	40 x (60 + 30)		5	5
71	NUS.015	Washer	13 x 37 x 3	DIN 9021		4	4
72	NMS.004	Hex nut	M12	DIN 934		22	22
73	NSK.028	Hex head screw	M12 x 30	DIN 933		2	2
74	NSK.021	Hex head screw	M8 x 35	DIN 933		3	3
75	NSK.019	Hex head screw	M8 x 25	DIN 933		2	2

Figure E Hose bracket inner boom S1-S7

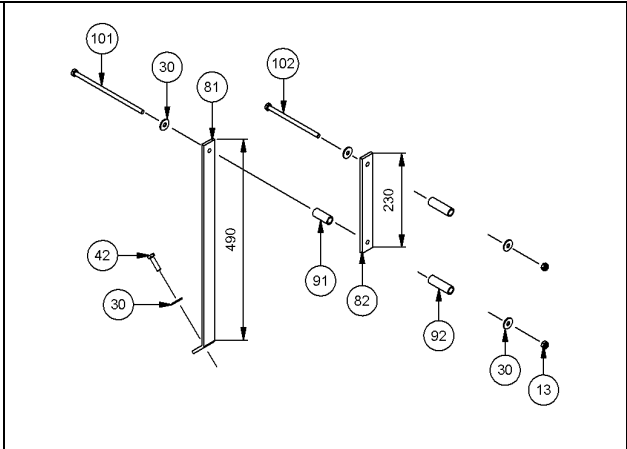


Hose bracket outer boom, see figure D outer boom

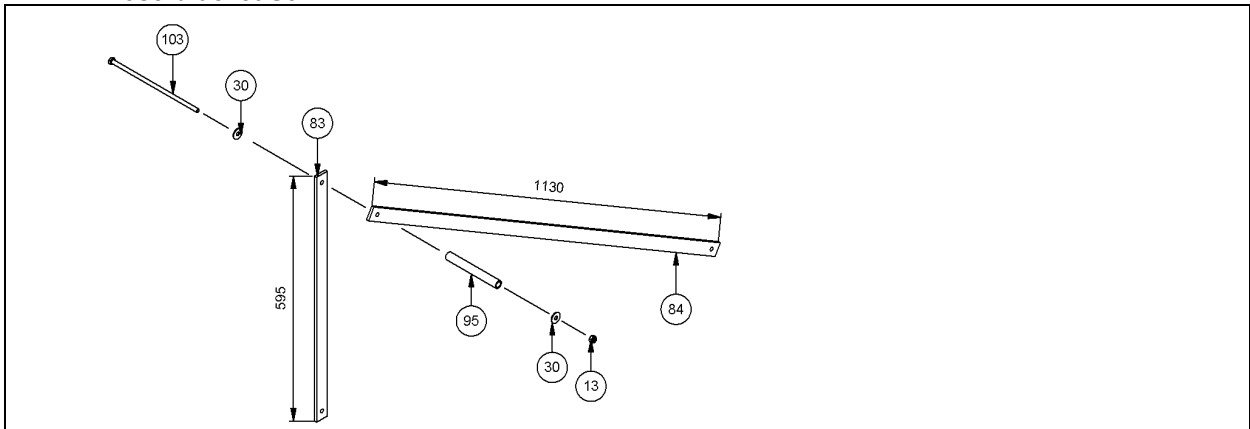
**Hose bracket S1**



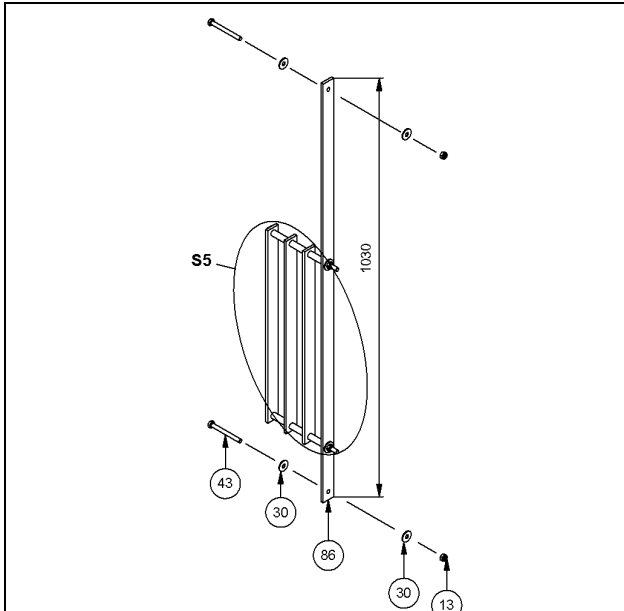
**Hose bracket S2**



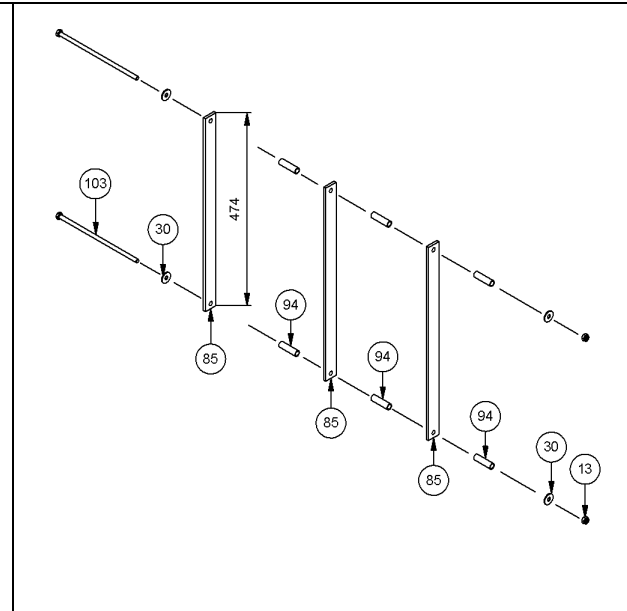
**Hose bracket S3**



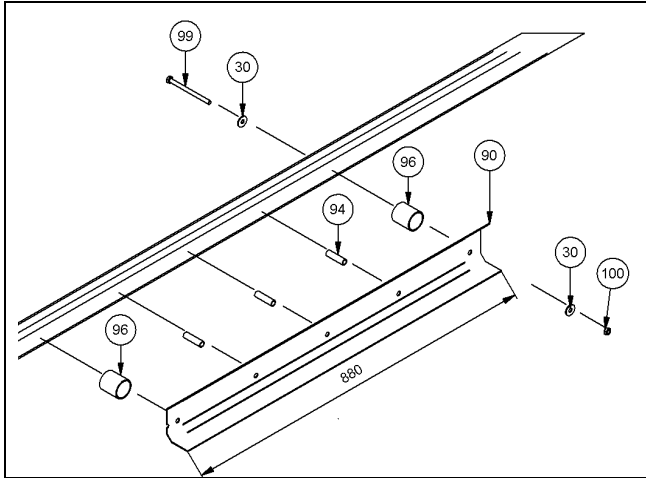
**Hose bracket S4**



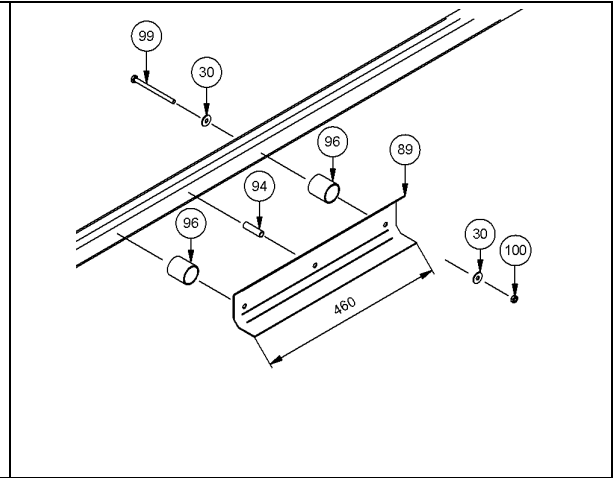
**Hose bracket S5**



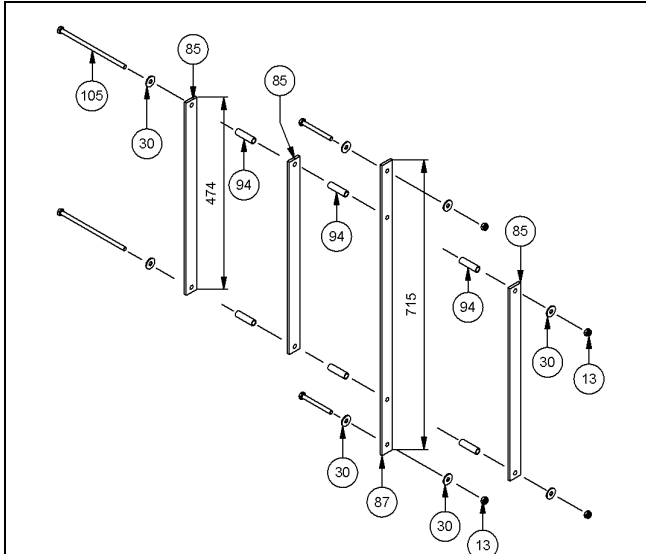
Hose bracket S6



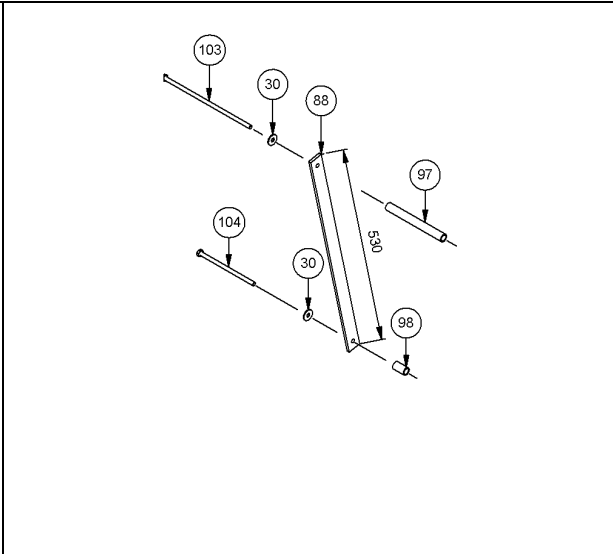
Hose bracket S7



Hose bracket S8



Hose bracket S9



**Spare Parts List**

Dribble bar liquid manure distributor

SwingMax3



www.vogelsang.info

Boom

**Hose bracket****Position 80-105**

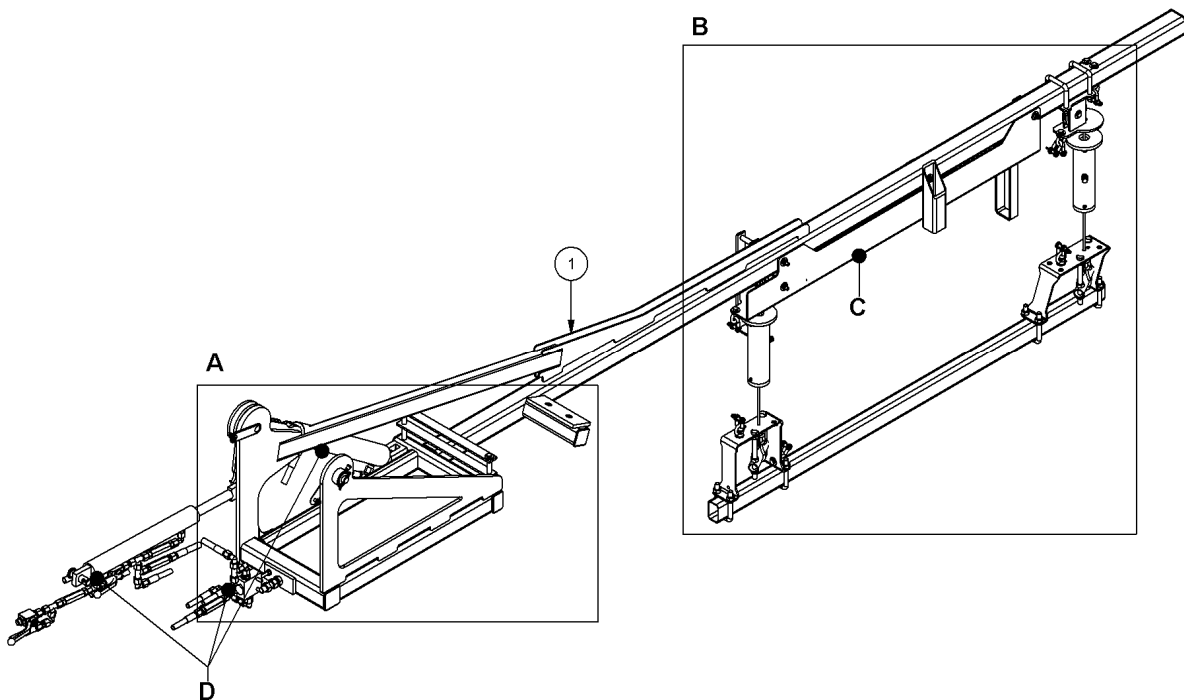
Pos.	Part number	Description	Dimensions	Notes	Qty.	Quantity left site	Quantity right site
80	ZHFS033.0775	Tongue	30 x 6 x 775	DIN 1017		1	1
81	ZHFS033.0530	Tongue	30 x 6 x 530	DIN 1017; bent		1	1
82	ZHFS033.0230	Tongue	30 x 6 x 230	DIN 1017		1	1
83	ZHFS033.0595	Tongue	30 x 6 x 595	DIN 1017		1	1
84	ZHFS033.1130	Tongue	30 x 6 x 1130	DIN 1017		1	1
85	RFL.752	Tongue				12	12
86	ZHFS033.1030	Tongue	30 x 6 x 1030	DIN 1017		1	1
87	ZHFS033.0715	Tongue	30 x 6 x 715	DIN 1017		1	1
88	ZHFS033.0530	Tongue	30 x 6 x 530	DIN 1017		1	1
89	TSE.184.N1	Hose retainer		Inner		1	1
90	TSE.070.N1	Hose retainer		Inner; long		3	3
91	ZHRS226.0040	Pipe	17.2 x 2.35 x 40			2	2
92	ZHRS226.0055	Pipe	17.2 x 2.35 x 55			3	3
93	ZHRS226.0050	Pipe	17.2 x 2.35 x 50			1	1
94	HRS.104	Pipe	13 x 1.5 x 46	DIN 2393		39	39
95	ZHRS226.0140	Pipe	17.2 x 2.35 x 140			1	1
96	HRS.077	Pipe	42.4 x 2.6 11/4"			8	8
97	ZHRS226.0155	Pipe	17.2 x 2.35 x 155			1	1
98	ZHRS226.0030	Pipe	17.2 x 2.35 x 30			1	1
99	NSK.181	Hex head screw	M8 x 110	DIN 931		18	18
100	NMS.002	Hex nut	M8	DIN 934-8		21	21
101	NSK.191	Hex head screw	M8 x 190	DIN 931		3	3
102	NSK.096	Hex head screw	M8 x 140	DIN 931		3	3
103	NSK.198	Hex head screw	M8 x 240	DIN 931		6	6
104	NSK.190	Hex head screw	M8 x 150	DIN 931		1	1
105	NSK.095	Hex head screw	M8 x 180	DIN 931		3	3

---

## D. TopSwing 180°

---

Figure F: TopSwing 180°





Spare Parts List

Dribble bar liquid manure distributor

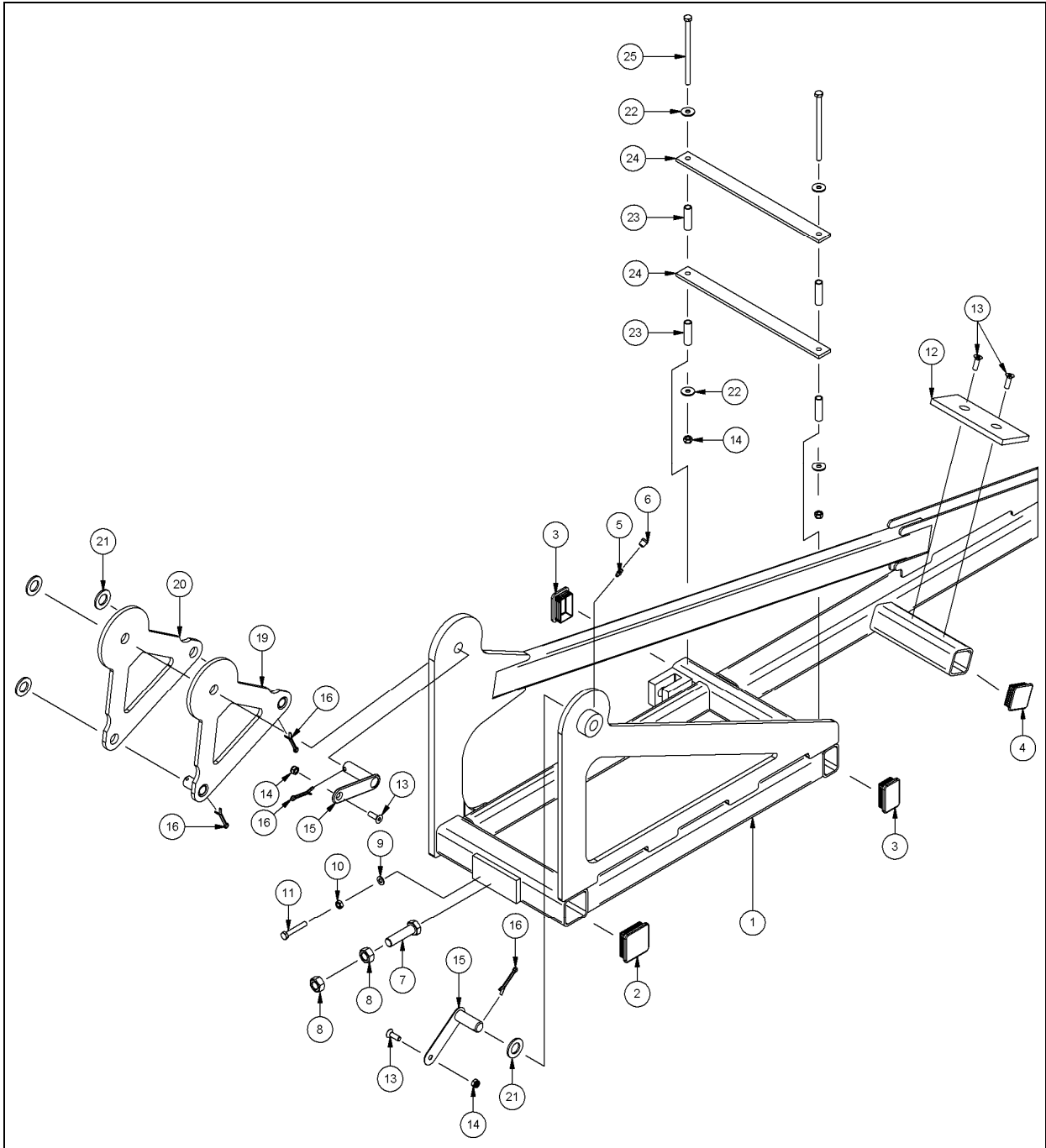
SwingMax3



www.vogelsang.info

TopSwing 180°

Detail A



**Spare Parts List**

Dribble bar liquid manure distributor

SwingMax3



www.vogelsang.info

TopSwing 180°

**End arm and accessories****Position 1-21**

Pos.	Part number	Description	Dimensions	Notes	Qty.	Quantity left site	Quantity right site
1	TSA.064.TL	End arm		Left		1	-
	TSA.064.TR	End arm		Right		-	1
2	NST.004	Square pipe plug	60 x 60 x 4			2	2
3	NST.005	Square pipe plug	60 x 40 x 4			4	4
4	NST.003	Square pipe plug	50 x 50 x 3			1	1
5	NKS.008	Grease nipple	H1 M6 x 1			6	6
6	BKA.001	Grease nipple cap				6	6
7	NSK.077	Hex head screw	M16 x 60	DIN 933		1	1
8	NMS.006	Hex nut	M16	DIN 934-8		2	2
9	NUS.003	Washer	A 8.4 x 16 x 1.6	DIN 125		5	5
10	NMS.002	Hex nut	M8	DIN 934-8		21	21
11	NSK.023	Hex head screw	M8 x 50	DIN 931		3	3
12	TSE.421	Plastic track	70 x 10 x 180			1	1
13	NSE.001	Countersunk (flat) head screw	M8 x 25	DIN 963-4.8		4	4
14	NMK.004	Hex nut	M8	DIN 985; self-locking		43	43
15	RFL.820	clip				2	2
16	NSP.012	Spring cotter	5 x 40	DIN EN ISO 1234		9	9
17	NBO.006	Bolt	20 x 45 x 40	ISO 2341		1	1
18	NBO.008	Bolt	20 x 6 x 55	ISO 2341		3	3
19	RFL.784	Coupling joint				1	1
20	TSE.196	Coupling joint with bolt				1	1
21	NUS.008	Washer	A 21 x 37 x 3	DIN 125		4	4

Spare Parts List

Dribble bar liquid manure distributor

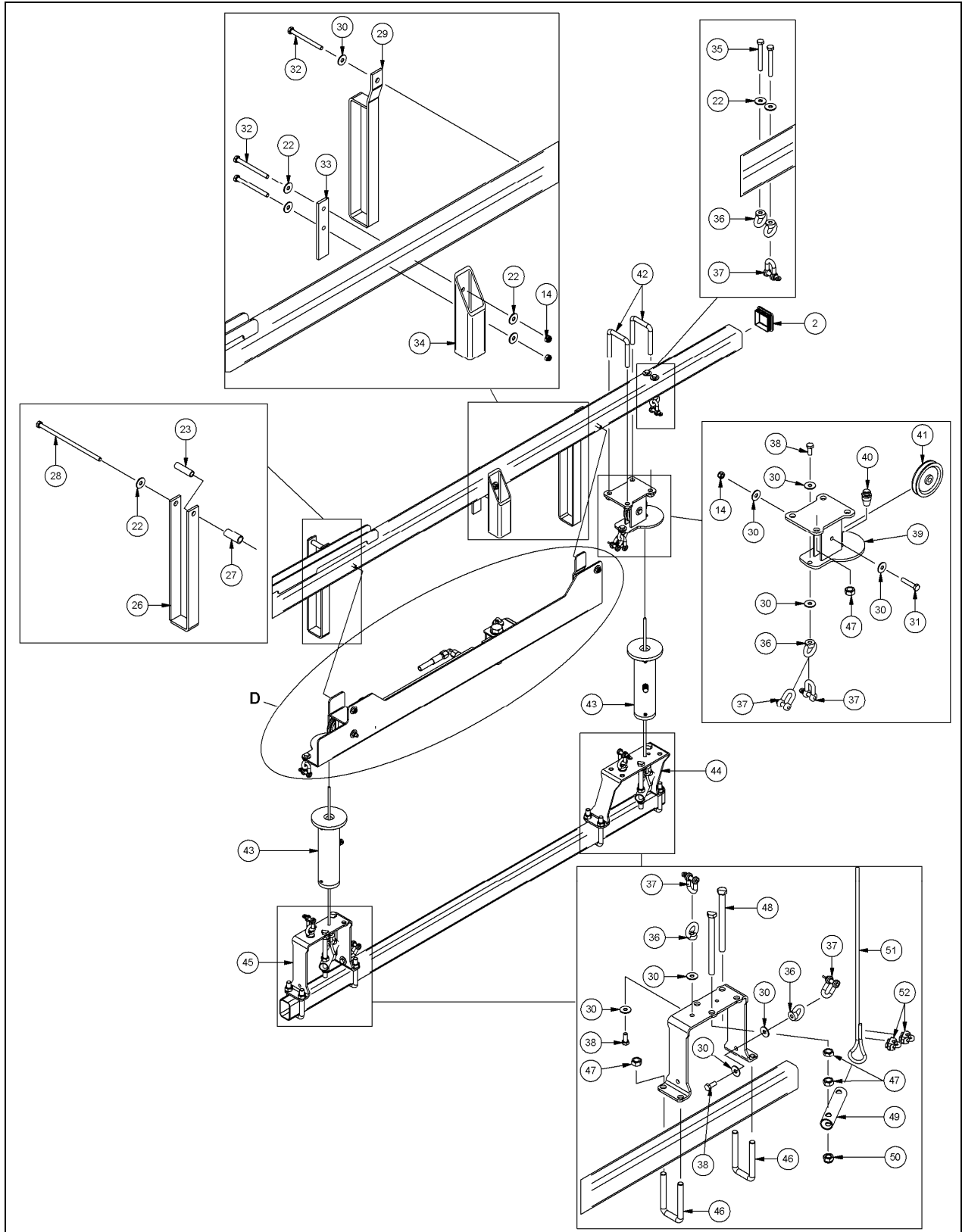
SwingMax3



www.vogelsang.info

TopSwing 180°

Detail B



Spare Parts List

Dribble bar liquid manure distributor

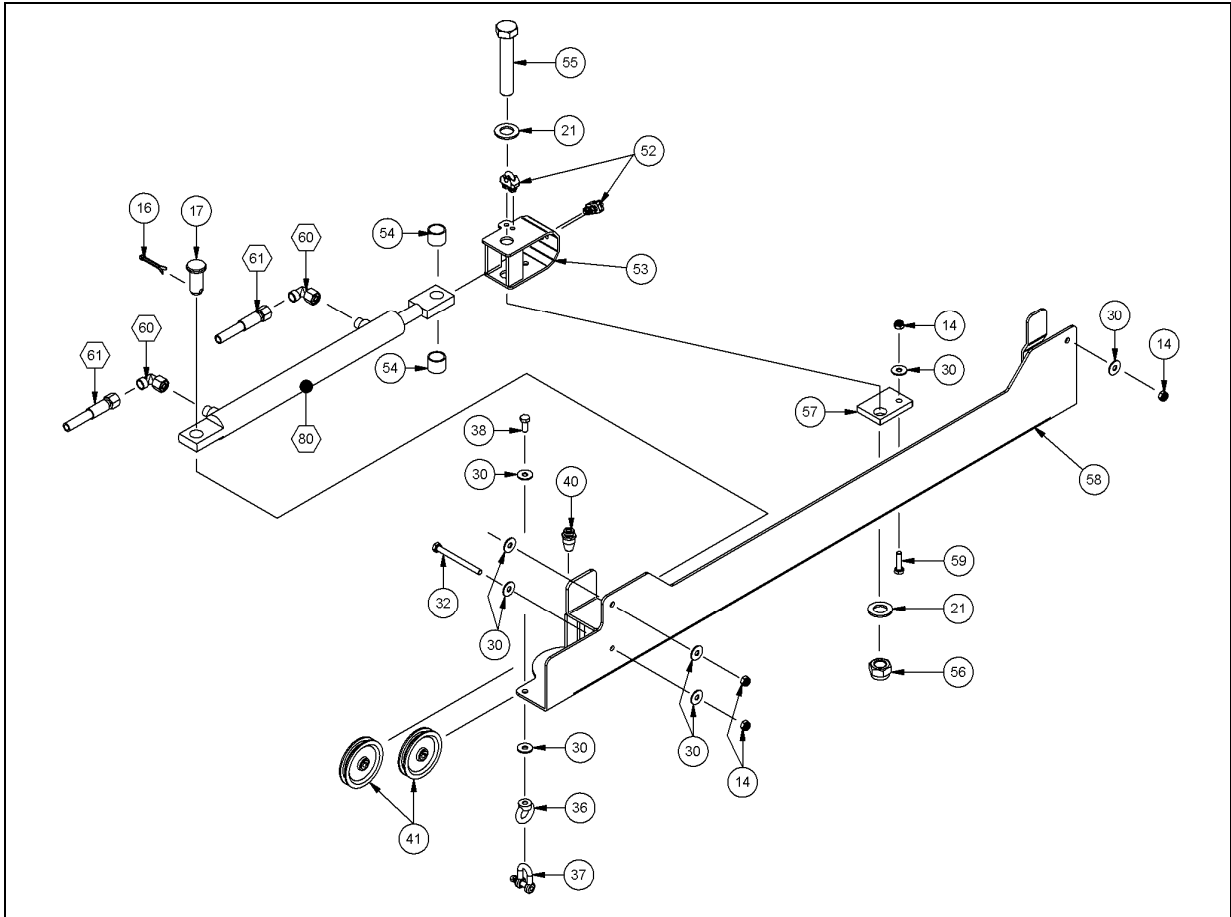
SwingMax3



www.vogelsang.info

TopSwing 180°

Detail C



For hydraulic hoses, only beginning and/or end shown.

**Spare Parts List**

Dribble bar liquid manure distributor

SwingMax3



www.vogelsang.info

TopSwing 180°

**Hose bracket****Position 22-34**

Pos.	Part number	Description	Dimensions	Notes	Qty.	Quantity left site	Quantity right site
22	NUS.018	Washer	8.4 x 24 x 2	DIN 9021		111	111
23	HRS.104	Pipe section	13 x 1.5 x 46	DIN 2393		2	2
24	TSE.422	Tongue	30 x 6 x 360			2	2
25	NSK.096	Hex head screw	M8 x 140	DIN 931		3	3
26	TSE.338	Hose retainer				1	1
27	ZHRS226.0040	Pipe	17.2 x 2.35 x 40			2	2
28	NSK.095	Hex head screw	M8 x 180	DIN 931		3	3
29	TSE.339	Hose retainer				1	1
30	NUS.018	Washer	8.4 x 24 x 2	DIN 9021		18	18
31	NSK.022	Hex head screw	M8 x 40			5	5
32	NSK.064	Hex head screw	M8 x 90	DIN 931		5	5
33	TSE.415	Tongue	30 x 6 x 145			1	1
34	TSE.416	Square pipe	50 x 50 x 4			1	1

Spare Parts List

Dribble bar liquid manure distributor

SwingMax3



www.vogelsang.info

TopSwing 180°

**Rope guide**  
Position 35-59

Pos.	Part number	Description	Dimensions	Notes	Qty.	Quantity left site	Quantity right site
35	NSK.061	Hex head screw	M8 x 70	DIN 931		4	4
36	NMK.015	Eye nut	M8	DIN 582		20	20
37	NSC.032	Clevis		DIN 82101 A		21	21
38	NSK.018	Hex head screw	M8 x 20	DIN 933		5	5
39	RFL.1104	Base plate				1	1
40	TRS.119.N1	Rope guide cone				2	2
41	NSR.008	Cord reel	80 mm			3	3
42	THA.032	Right-angle clip	M12; 60 x (60+30)			7	7
43	TSE.328	Distance tube, actuation of tackle				2	2
44	TSE.325	Canted sheet		Rope holder with offset		1	1
45	TSE.204.N1	Canted sheet		Rope holder DropStop pipe		1	1
46	THA.034	Right-angle clip	M12; 40 x (60 + 30)			5	5
47	NMS.004	Hex nut	M12	DIN 934		22	22
48	TSE.330	Hex head screw	M12 x150			4	4
49	HRS.015 <sup>(5)</sup>	Pipe	26,9 x 2x 120			2x 120 mm	2x 120 mm
50	NMK.002	Hex nut	M12	DIN 985; self-locking		28	28
51	TMB.007 <sup>(5)</sup>	Wire robe <sup>(5)</sup>	Ø 6 mm	≤ 24 m		5500 mm	5500 mm
	HDS0001 <sup>(5)</sup>	Wire robe <sup>(5)</sup>	Ø 6 mm	≥ 27 m		5500 mm	5500 mm
52	TMB.013	Rope clip	6,5 mm	DIN 1142		6	6
53	RFL.1105	Rope deflector				1	1
54	HRS.015 <sup>(5)</sup>	Pipe	29.9 x 2			2x 22 mm	2x 22 mm
55	NMK.005	Hex nut	M20	DIN 985-8; self-locking		2	2
56	NSK.093	Hex head screw	M20 x 110	DIN 931		1	1
57	TSE.414	Plastic plate				1	1
58	TSE.411.TR	Canted sheet		Angle plate for rope sheave holder		1	1
59	NSK.020	Hex head screw	M8 x 30	DIN 933		8	8

<sup>(5)</sup> Please specify length when ordering replacement parts!

Spare Parts List

Dribble bar liquid manure distributor

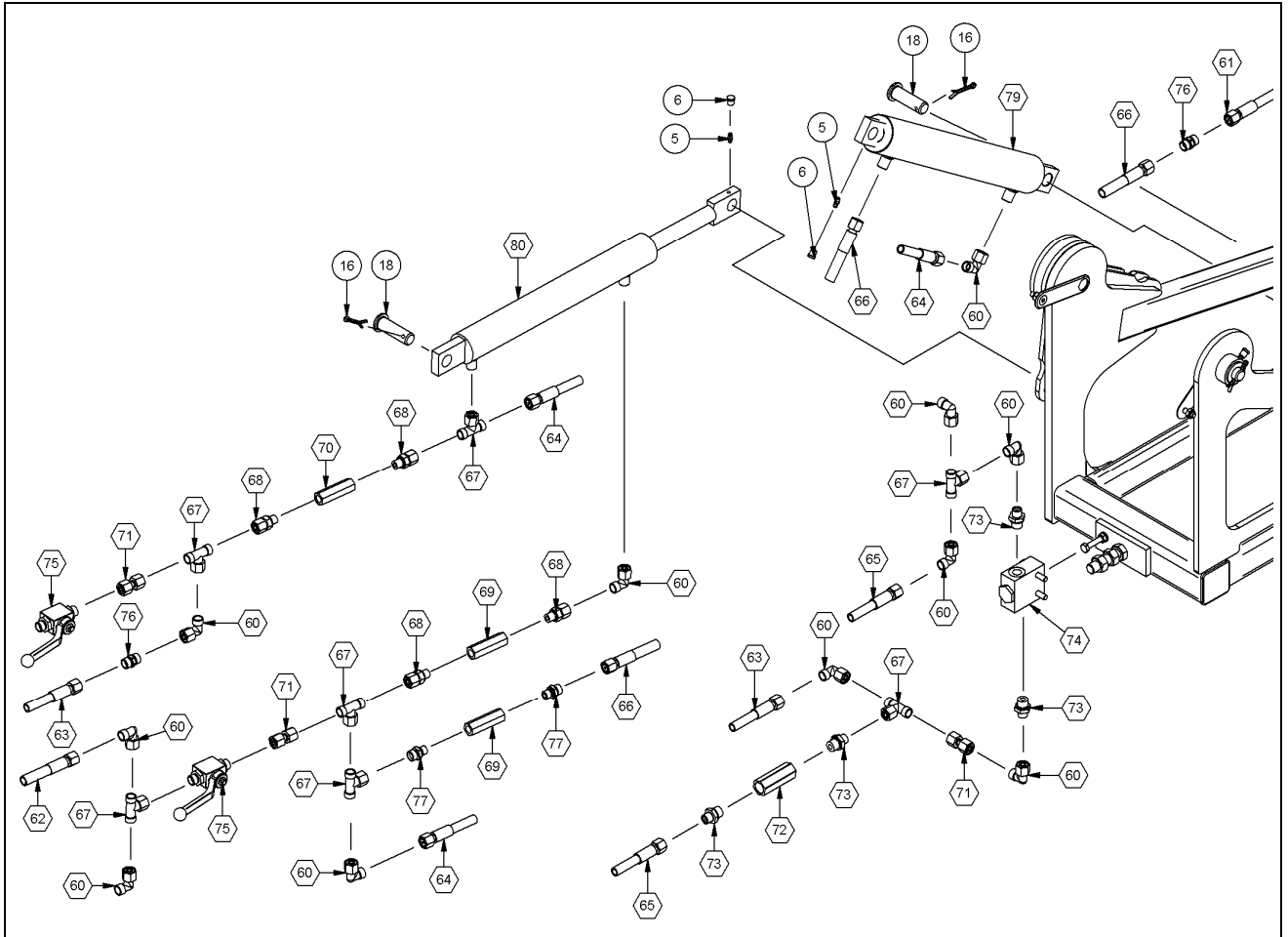
SwingMax3



www.vogelsang.info

TopSwing 180°

Detail D



For hydraulic hoses, only beginning and/or end shown.

Spare Parts List

Dribble bar liquid manure distributor

SwingMax3



www.vogelsang.info

TopSwing 180°

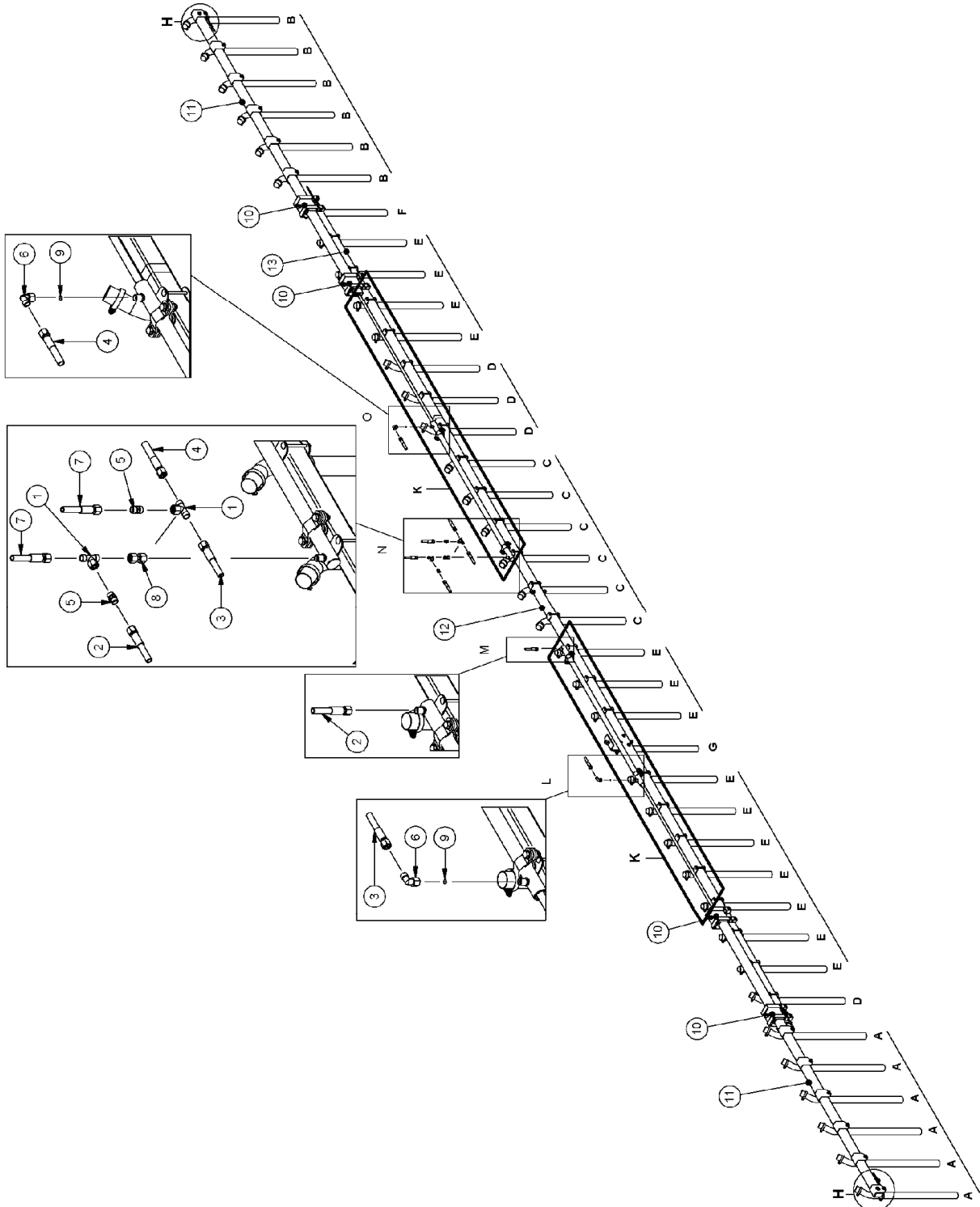
**Hydraulic parts**  
Position 60-80

Pos.	Part number	Description	Dimensions	Notes	Qty.	Quantity left site	Quantity right site
60	NWE.003	Elbow joint	EEL 10			18	18
61	THZ.115	Hydraulic pipe 1 SN	DN 6 x 1700	DKL/DKL		2	2
62	THZ.094	Hydraulic pipe 2 SNC	DN 6 x 1300	BESK 10L/BESK 10L		1	1
63	THZ.117	Hydraulic pipe 1 SN	DN 6 x 650	DKL/DKL		1	1
64	THZ.013	Hydraulic pipe 1 SNC	DN 6 x 2300	BESK 10L/BESK 10L		2	2
65	THZ.105	Hydraulic pipe 1 SN	DN 6 x 350	DKL/DKL		1	1
66	THZ.116	Hydraulic pipe 2 SN	DN 6 x 1900	DKL/DKL		2	2
67	NGE.036	T-connection	TEL 10			10	10
68	NGE.025	Pipe fitting	RAL 10 R 1/4" WD			5	5
69	NDV.003	Two-way flow control valve	R 1/4	Type 2		2	2
70	NDV.021	Two-way flow control valve	SB 0 5 G R 1/4			1	1
71	NGE.008	O-ring twin connector	GVO 10 L-10 L			3	3
72	AHV.021	Check valve	ADR-10-R3/8",FT-257/6-38			1	1
73	NGE.005	Pipe fitting	XAL 10 R 3/8"			4	4
74	AHV.033	Two-way valve		Actuated through mechanical pressure		1	1
75	GHN.031	Stop-cock	BKH 10 L DN 08			2	2
76	NGE.043	Pipe fitting	XDL 10			3	3
77	NGE.003	Pipe fitting	XAL 10 R 1/4"			4	4
79	AHZ.011	Hydraulic cylinder	D 50/25	SwingMax3 27/30 300 stroke		1	1
	AHZ.007	Hydraulic cylinder	D 40/25	SwingMax3 18/21/24 300 stroke			
80	AHZ.007	Hydraulic cylinder	D 40/25	300 stroke		1	1



## E. DropStop boom

Figure G: DropStop boom



The right boom is illustrated; the left boom is a mirror image.

**Spare Parts List**

Dribble bar liquid manure distributor

SwingMax3



www.vogelsang.info

DropStop boom

**Hydraulic parts**  
**Position 1-9**

Pos.	Part number	Description	Dimensions	Notes	Qty.	Quantity left site	Quantity right site
1	NGE.036	T-connection	TEL 10	Pre-installed		4	4
2	THZ.113	Hydraulic hose	6 x 900; 1SN			1	1
3	THZ.065	Hydraulic hose	6 x 2000; 1SN			1	1
4	THZ.094	Hydraulic hose	6 x 1300; 2SNC			1	1
5	NGE.043	Pipe fitting	XDL 10			4	4
6	NWE.003	Elbow joint	EEL 10	Pre-installed		2	2
7	THZ.131	Hydraulic hose	6 x 1100; 1 SN			2	2
8	NGE.088	O-ring twin connector	GVO 10L-10L			1	1
9	NDV.023	Throttle plate				2	2

**Square pipe DropStop boom**  
**Position 10-13**

Pos.	Part number	Description	Dimensions	Notes	Qty.	Quantity left site	Quantity right site
10	TSE.127	Guide for DropStop pipe				4	4
11	ZHRV038.2785	Square pipe	60 x 40 x 2 x 2785	DIN 239		2	2
12	ZHRV038.5898	Square pipe	60 x 40 x 2 x 5898	DIN 239		1	1
13	ZHRV038.2200	Square pipe	60 x 40 x 2 x 2200	DIN 239		1	1

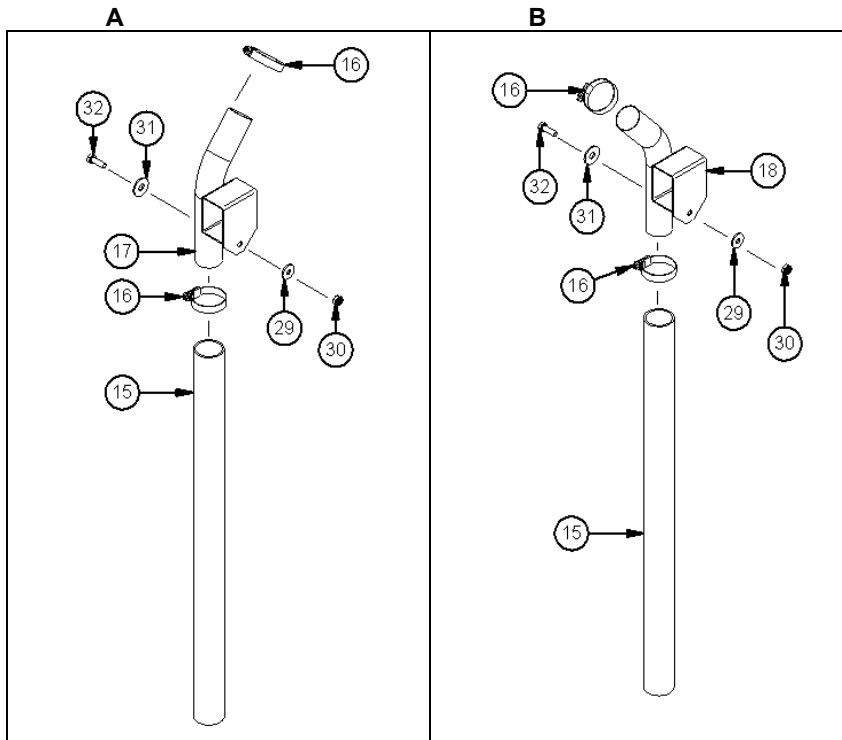
Spare Parts List

Dribble bar liquid manure distributor

SwingMax3

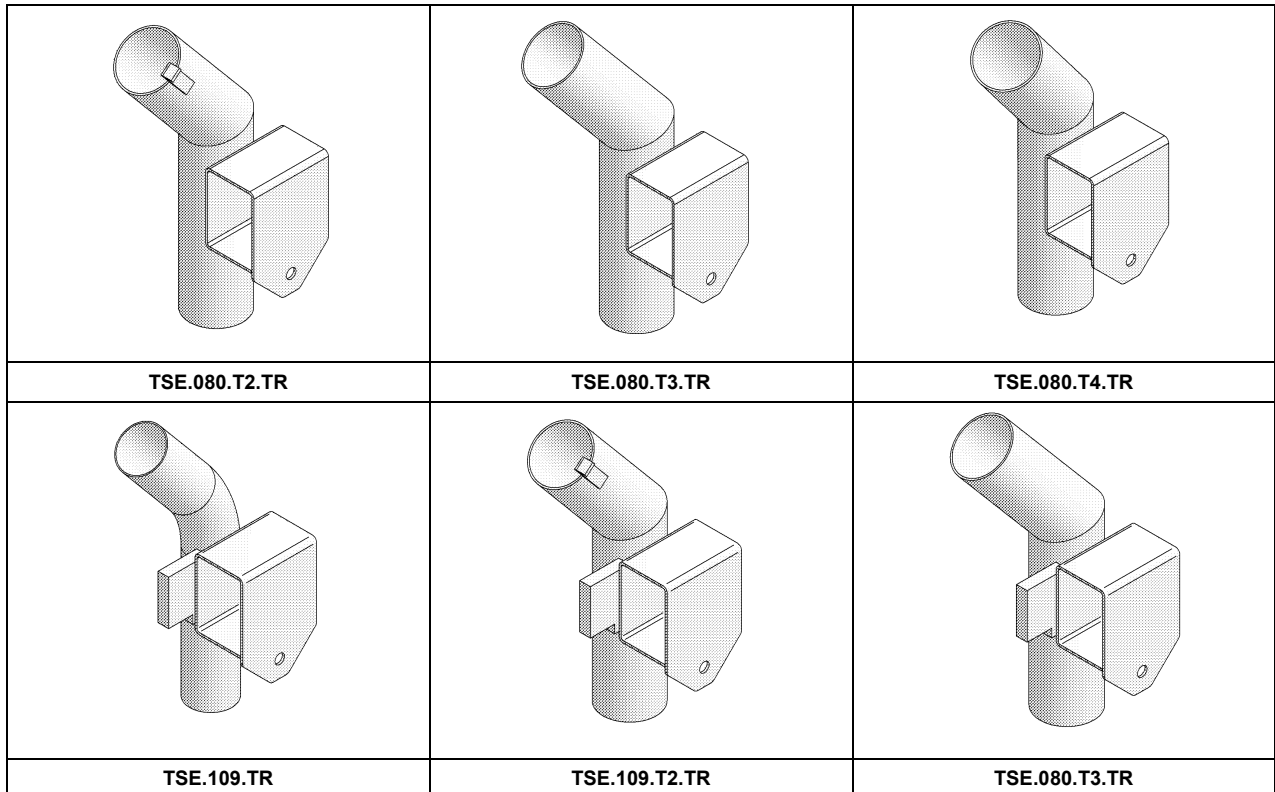
DropStop boom

Hose holder per hose



TSE.080.TL

TSE.080.TR



The construction right is illustrated; the construction left is a mirror image!

Spare Parts List

Dribble bar liquid manure distributor

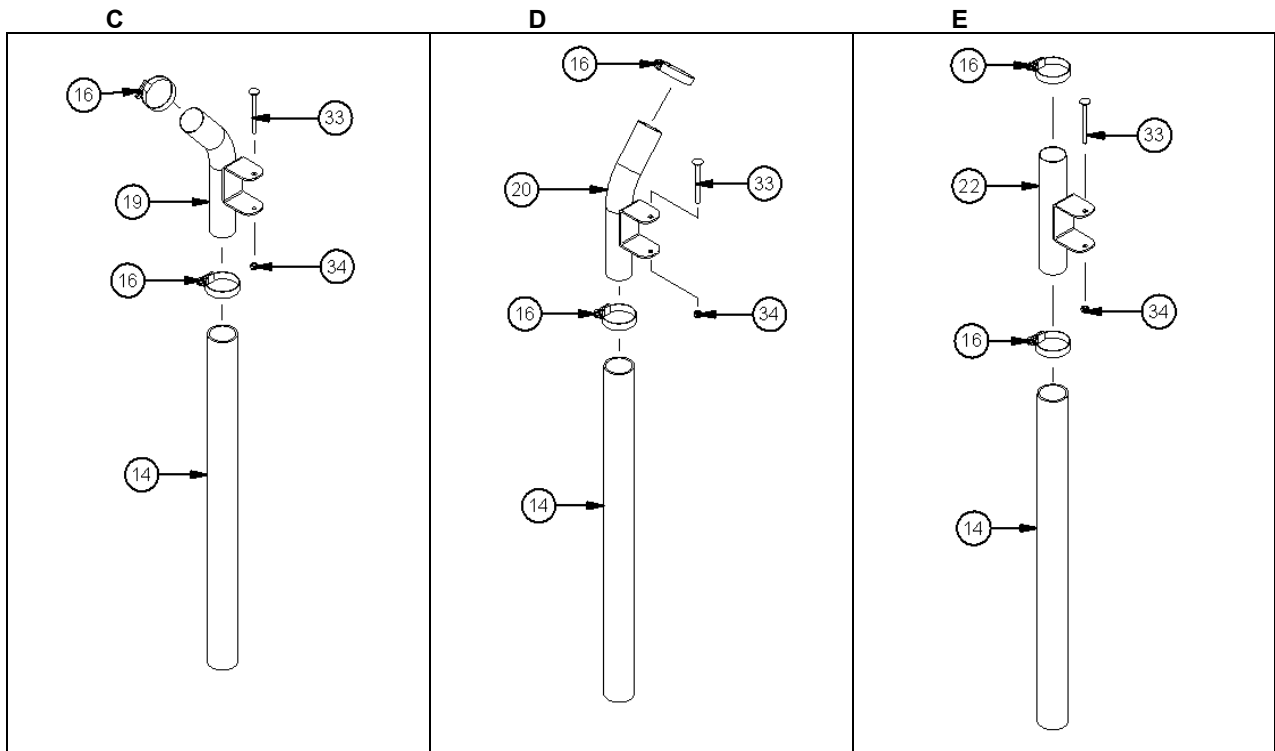
SwingMax3



www.vogelsang.info

DropStop boom

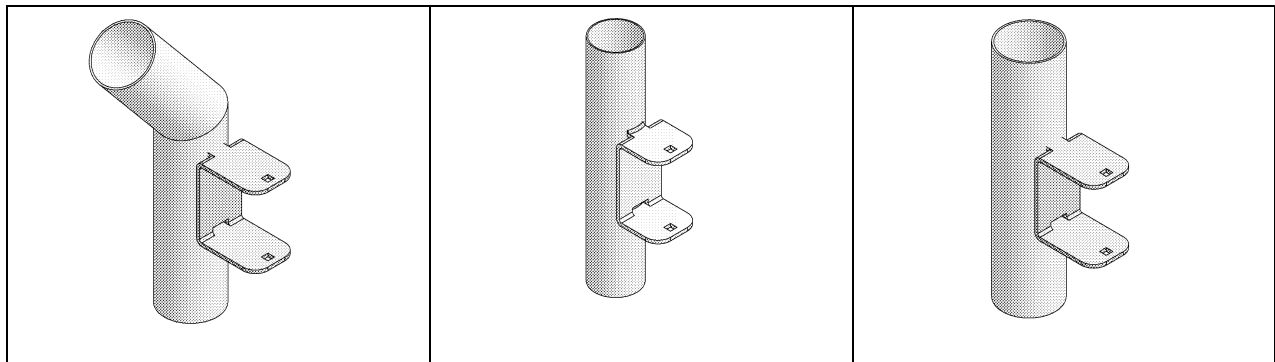
Hose holder per hose



TSE.148.TR

TSE.148.TL

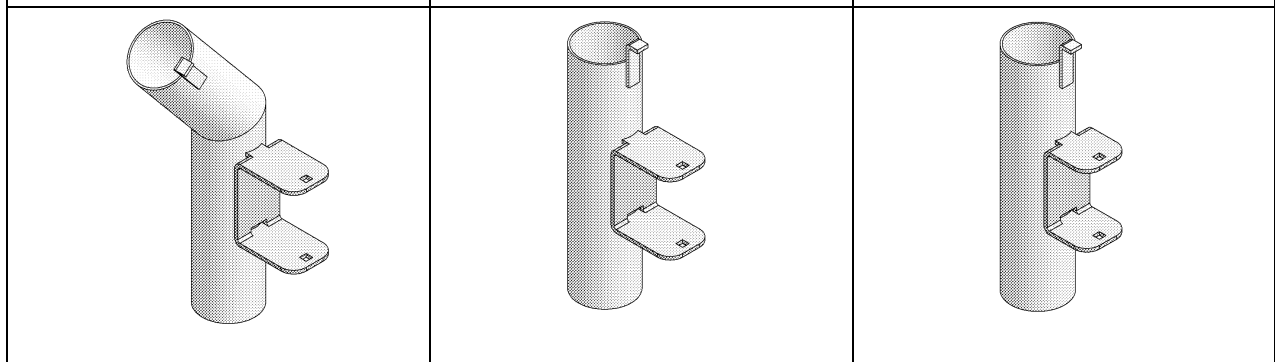
TSE.147



TSE.148.T2.TR

TSE.147.T1

TSE.147.T3



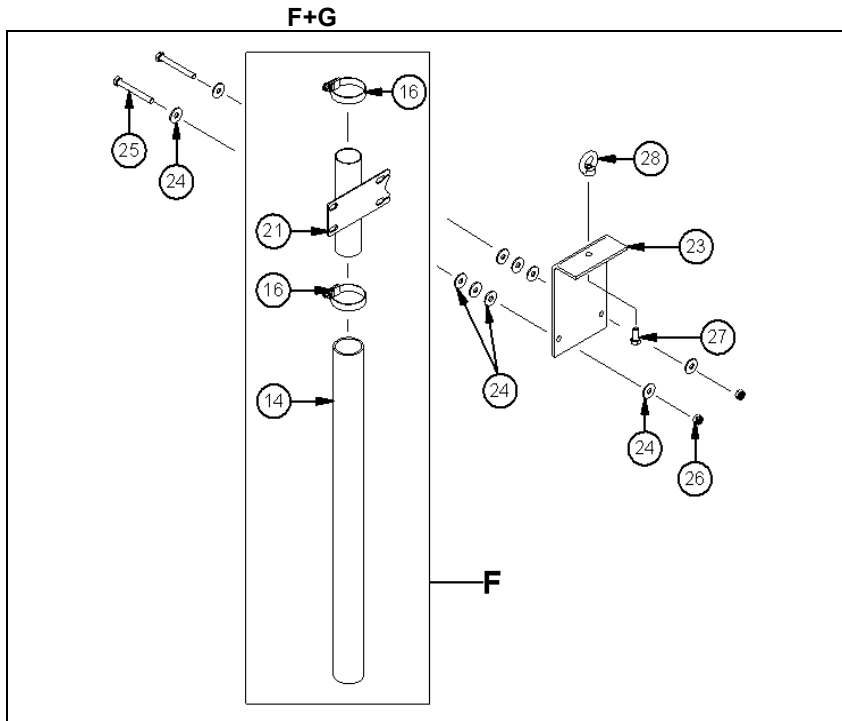
TSE.148.T3.TL

TSE.147.T4

TSE.147.T5

The construction right is illustrated; the construction left is a mirror image!

Hose holder per hose



**TSE.108**

<b>TSE.108.T2</b>	<b>TSE.137</b>	<b>TSE.138</b>
<b>TSE.108.T3</b>	<b>TSE.137.T1</b>	<b>TSE.138.T1</b>

Spare Parts List

Dribble bar liquid manure distributor

SwingMax3



www.vogelsang.info

DropStop boom

Parts holder per hose

Position 14-22

Pos.	Part number	Description	Dimensions	Notes	Qty.	Quantity left site	Quantity right site
14	HSC.043	Straight hose section	DN40 x 600			36	36
15	HSC.048	Straight hose section	DN40 x 670			12	12
16	NSS.014	Hose clamp				96	96
17	TSE.080.TL	Hose retainer A	Ø 40	Left; movable			
	TSE.080.T2.TL	Hose retainer A	Ø 50	Left; movable			
	TSE.080.T3.TL	Hose retainer A	Ø 50	Left; movable			
	TSE.080.T4.TL	Hose retainer A	Ø 50	Left; movable			
	TSE.109.TL	Hose retainer A	Ø 40	Left; movable; with stop			
	TSE.109.T2.TL	Hose retainer A	Ø 50	Left; movable; with stop			
	TSE.109.T3.TL	Hose retainer A	Ø 50	Left; movable; with stop			
18	TSE.080.TR	Hose retainer B	Ø 40	Right; movable			
	TSE.080.T2.TR	Hose retainer B	Ø 50	Right; movable			
	TSE.080.T3.TR	Hose retainer B	Ø 50	Right; movable			
	TSE.080.T4.TR	Hose retainer B	Ø 50	Right; movable			
	TSE.109.TR	Hose retainer B	Ø 40	Right; movable; with stop			
	TSE.109.T2.TR	Hose retainer B	Ø 50	Right; movable; with stop			
	TSE.109.T3.TR	Hose retainer B	Ø 50	Right; movable; with stop			
19	TSE.148.TL	Hose retainer C	Ø 40	Left			
	TSE.148.T2.TL	Hose retainer C	Ø 50	Left			
	TSE.148.T3.TL	Hose retainer C	Ø 50	Left			
20	TSE.148.TR	Hose retainer D	Ø 40	Right			
	TSE.148.T2.TR	Hose retainer D	Ø 50	Right			
	TSE.148.T3.TR	Hose retainer D	Ø 50	Right			
21	TSE.108	Hose retainer F+G	Ø 40	At plastic bearing			
	TSE.108.T2	Hose retainer F+G	Ø 50	At plastic bearing			
	TSE.108.T3	Hose retainer F+G	Ø 50	At plastic bearing			
	TSE.137	Hose retainer F+G	Ø 40	At plastic bearing			
	TSE.137.T1	Hose retainer F+G	Ø 50	At plastic bearing			
	TSE.138	Hose retainer F+G	Ø 40	At plastic bearing			
	TSE.138.T1	Hose retainer F+G	Ø 50	At plastic bearing			
22	TSE.147	Hose retainer E	Ø 40	Straight			
	TSE.147.T1	Hose retainer E	Ø 40	Straight			
	TSE.147.T3	Hose retainer E	Ø 50	Straight			
	TSE.147.T4	Hose retainer E	Ø 50	Straight			
	TSE.147.T5	Hose retainer E	Ø 50	Straight			

**Spare Parts List**

Dribble bar liquid manure distributor

SwingMax3



www.vogelsang.info

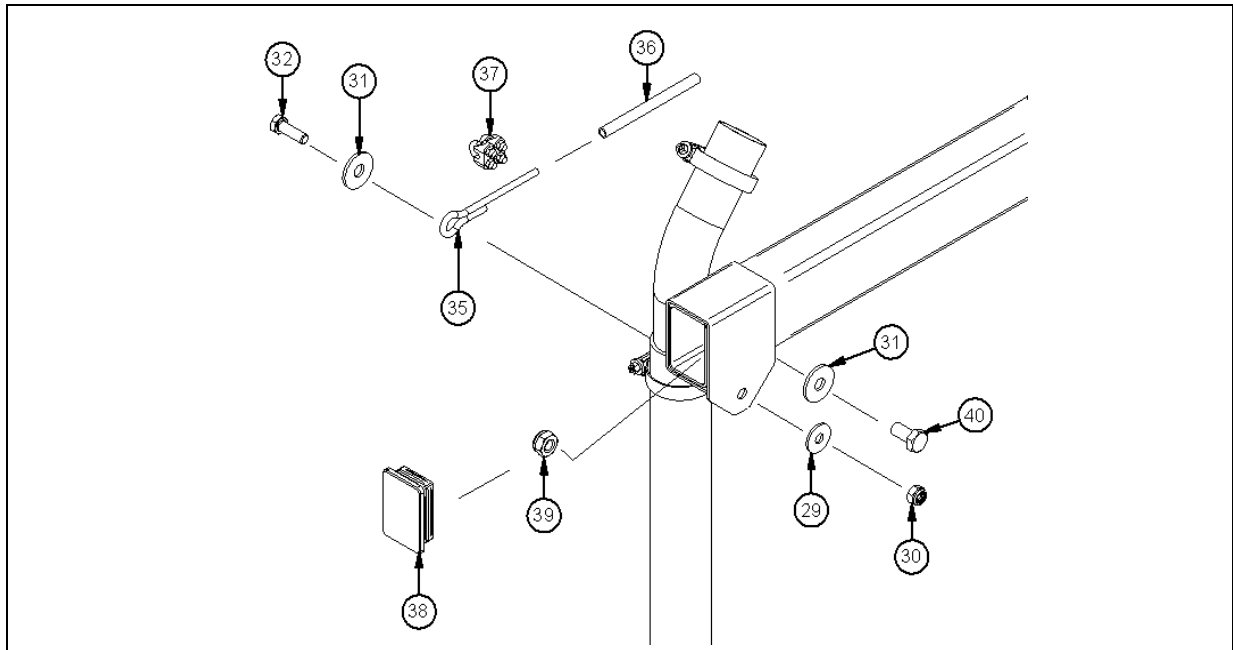
DropStop boom

**Parts holder per hose**

Position 23-34

Pos.	Part number	Description	Dimensions	Notes	Qty.	Quantity left site	Quantity right site
23	TSE.187	Support				1	1
24	NUS.018	Washer	8.4 x 24 x 2	DIN 9021		60	60
25	NSK.061	Hex head screw	M8 x 70			2	2
26	NMK.004	Hex nut	M8	DIN 985; self-locking		30	30
27	NSK.018	Hex head screw	M8 x 20	DIN 933		2	2
28	NMK.015	Eye nut	M8	DIN 582		14	14
29	NUS.018.EE	Washer	8.4 x 24 x 2	DIN 9021 stainless steel		12	12
30	NMK.004.E	Hex nut	M8	DIN 985; self-locking		12	12
31	NUs.026.EE	Washer	A 10.5 x 30 x 2.5	DIN 9021		14	14
32	NSK.019.EE	Hex head screw	M8 x 25			12	12
33	NSC.034.E	Mushroom head bolt	M6 x 75	DIN 603		32	32
34	NMK.003.EE	Hex nut	M6	DIN 985; self-locking		32	32

## Detail H



## Ropes and accessories

Pos. 35-39

Pos.	Part number	Description	Dimensions	Notes	Qty.	Quantity left site	Quantity right site
35	ZHNS.001.2000	Polyester rope	5 mm			4	4
36	ZHPR.019.1500	Plastic pipe	8 x 1	Black		4	4
37	TMB.015	Rope clip	4 mm			8	8
38	NST.012	Square pipe plug	GPN 270			4	4
39	NMK.001	Hex nut	M10	DIN 985; self-locking		16	16



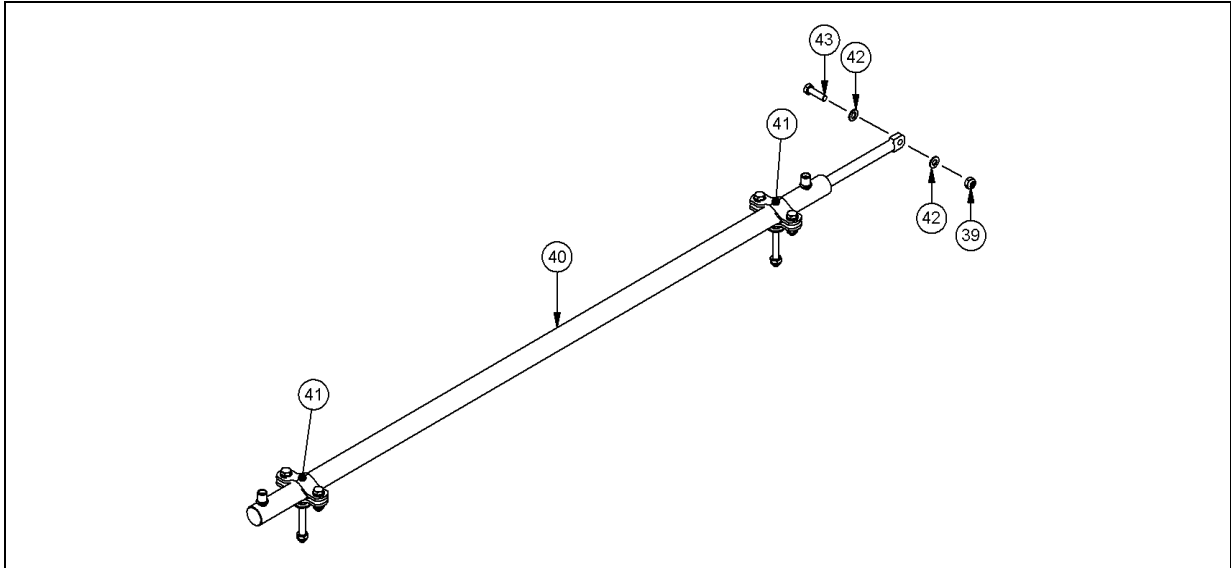
Spare Parts List

Dribble bar liquid manure distributor

SwingMax3

DropStop boom

Detail K



Hydraulic cylinder fastener

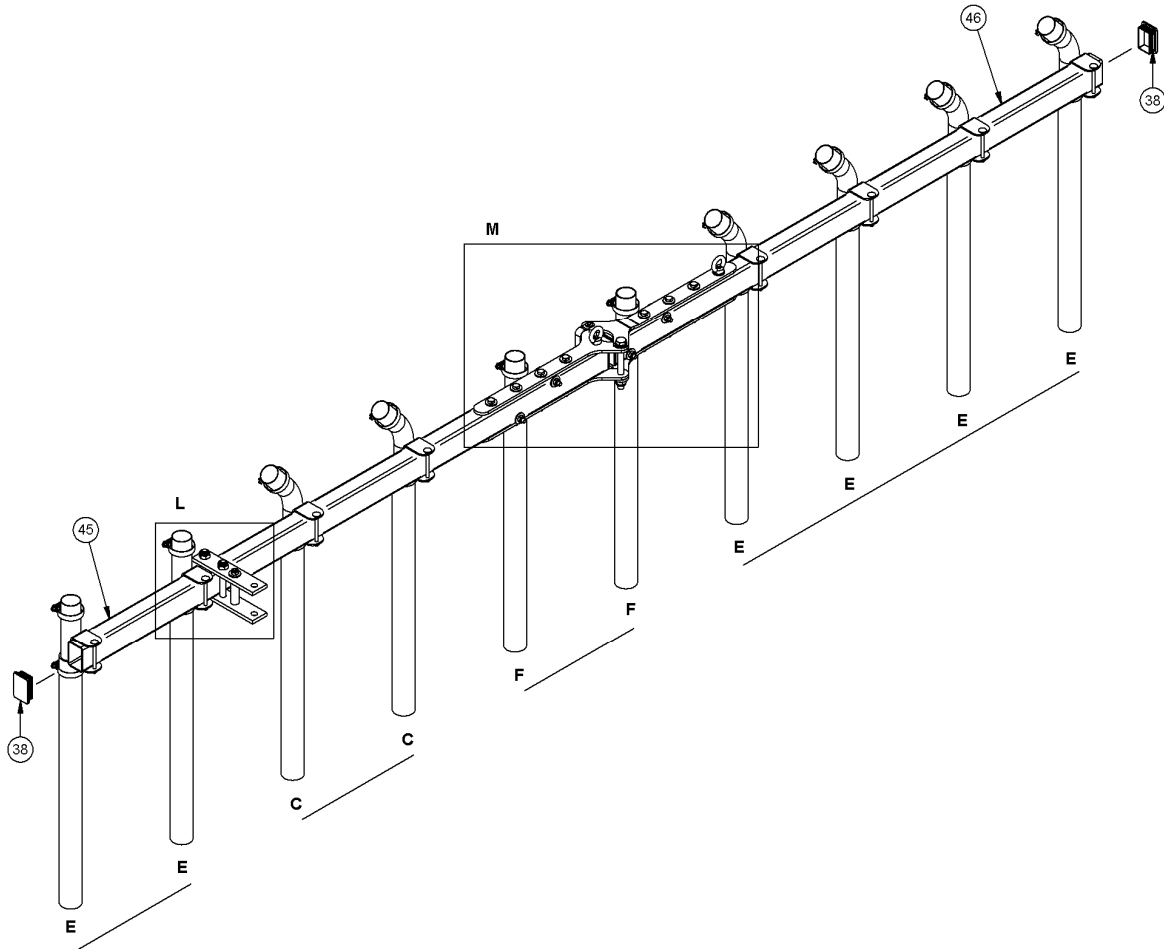
Position 40-44

Pos.	Part number	Description	Dimensions	Notes	Qty.	Quantity left site	Quantity right site
40	AHZ.024	Hydraulic cylinder		1250 stroke		2	2
41	TSE.156	Hydraulic cylinder fastener				4	4
42	NUS.004	Washer	A 10.5 x 20 x 2	DIN 125		20	20
43	NSK.026	Hex head screw	M10 x 20	DIN 933		2	2
44	NSK.002	Hex head screw	M10 x 35	DIN 933		9	9

## F. DropStop TopSwing 180°

DropStop TopSwing

Figure H: DropStop TopSwing 180°



Bracket per hose A - E and pos. 1 - 44 see DropStop boom

Spare Parts List

Dribble bar liquid manure distributor

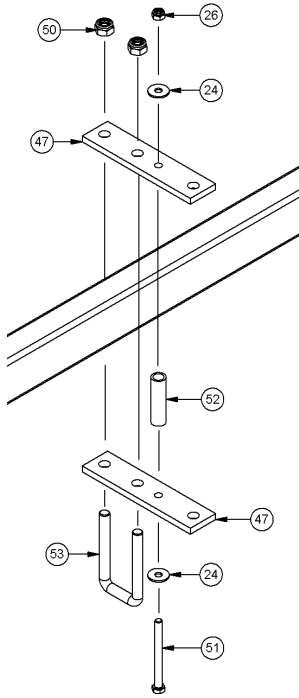
SwingMax3



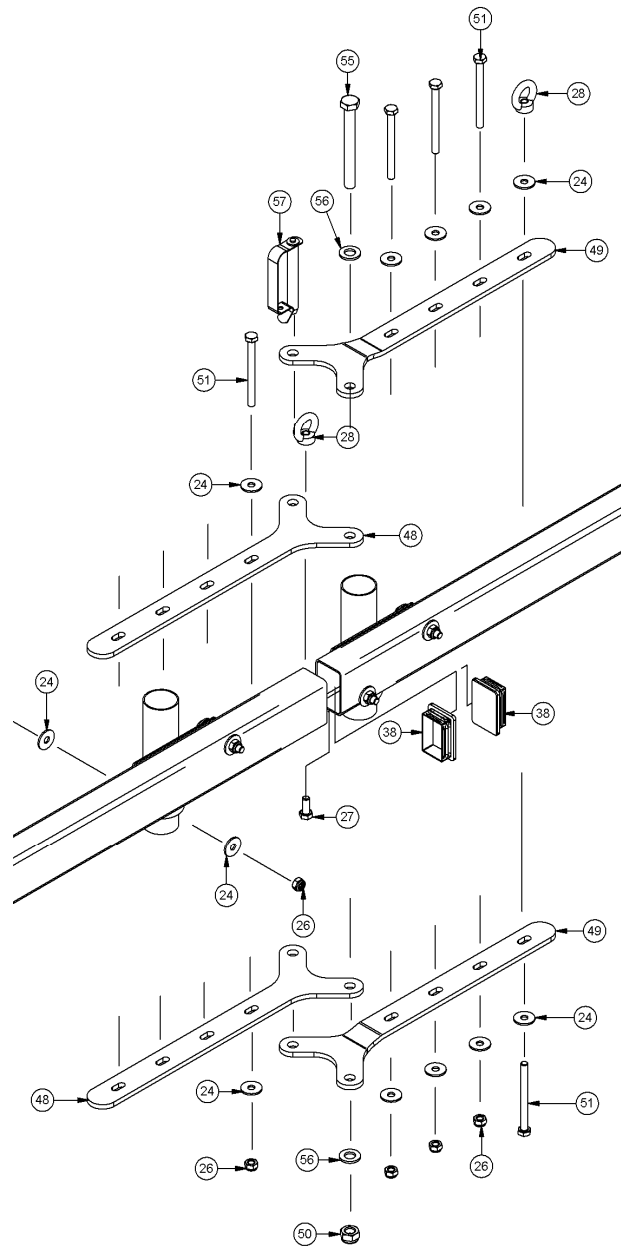
www.vogelsang.info

DropStop TopSwing

Detalle L



Detalle M



**Spare Parts List**

Dribble bar liquid manure distributor

SwingMax3



www.vogelsang.info

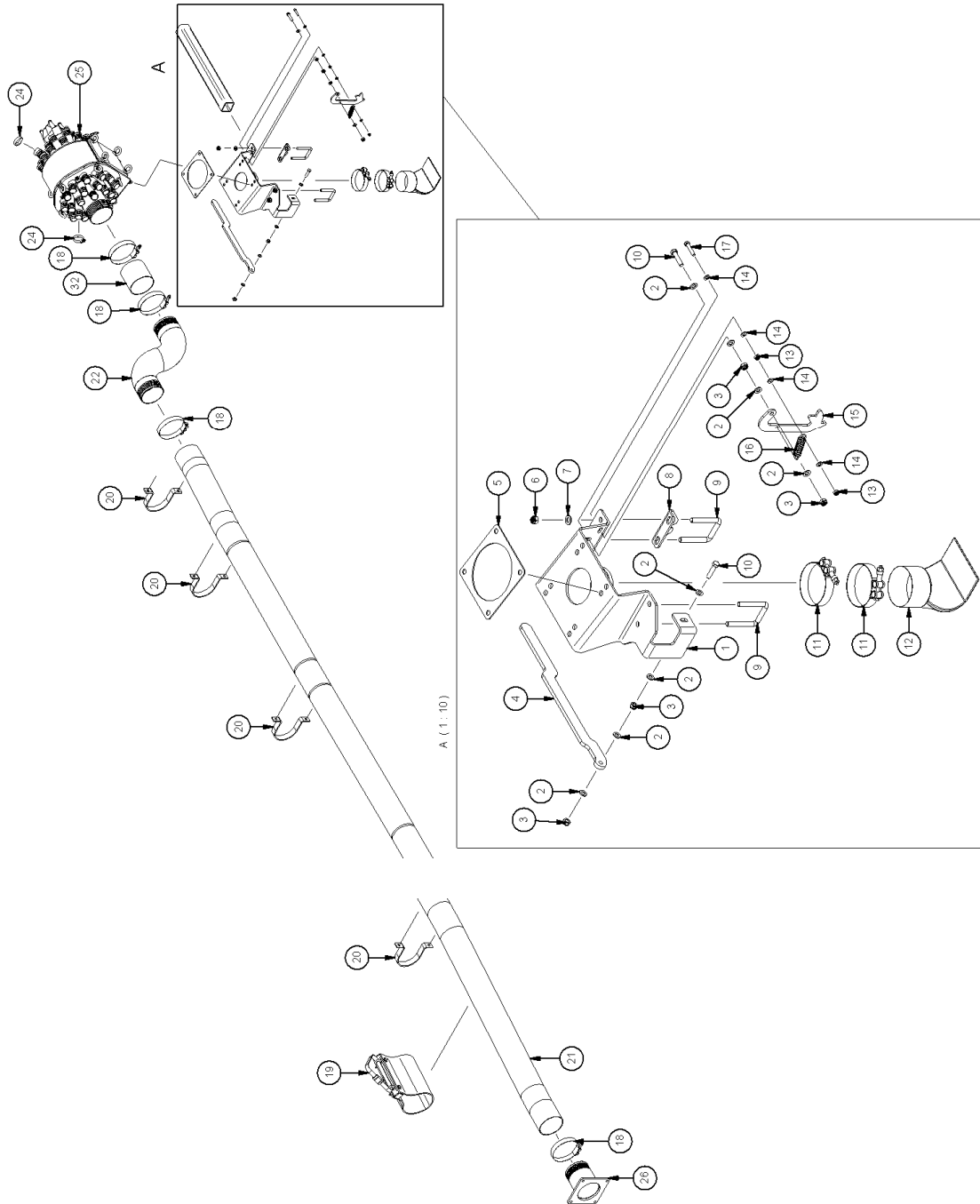
DropStop TopSwing

**Spare parts DropStop TopSwing****Position 45-57**

Pos.	Part number	Description	Dimensions	Notes	Qty.	Quantity left site	Quantity right site
45	ZHRV038.1480	Square pipe	60 x 40 x 2 x 1480			1	1
46	ZHRV038.1370	Square pipe	60 x 40 x 2 x 1370			1	1
47	TSE.419	Tongue with bore holes				2	2
48	TSE.230	Joint		DropStop flap		2	2
49	TSE.230.T1	Joint		DropStop representation		2	2
50	NMK.002	Hex nut	M12	DIN 985; self-locking		3	3
51	NSK.064	Hex head screw	M8 x 90	DIN 931		9	9
52	ZHRS226.0061	Pipe	3/8"			1	1
53	THA.034	Right-angle clip	M12	40 x (60+30)		1	1
54	NSK.024	Hex head screw	M8 x 60	DIN 931		4	4
55	NSK.152	Hex head screw	M12 x 110	DIN 931		1	1
56	NUS.005	Washer	A 13 x 24 x 2.5	DIN 125		2	2
57	NBO.007	Spring cotter pin	12 x 80			1	1

## G. ExaCut wiring

Figure K: ExaCut wiring



**Spare Parts List**

Dribble bar liquid manure distributor

SwingMax3



www.vogelsang.info

ExaCut wiring

**Parts ExaCut wiring****Position 1-25**

Pos.	Part number	Description	Dimensions	Notes	Qty.	Quantity left site	Quantity right site
1	TSE.309	ExaCut base		Low		1	1
2	NUS.004	Washer	A10.5 x 20 x 2	DIN 125		7	7
3	NMK.001	Hex nut	M10	DIN 985; self-locking		4	4
4	RFL.983	Hose clamp				1	1
5	DFD.018	Flange gasket	6"	Self-adhering on one side		1	1
6	NMK.002	Hex nut	M12	DIN 985; self-locking		4	4
7	NUS.005	Washer	A 13 x 24 x 2.5	DIN 125		4	4
8	TSE.314	Canted sheet with groove				1	1
9	ZHA.032	Right-angle clip	M12			2	2
10	NSK.004	Hex head screw	M10 x 45	DIN 933		2	2
11	NSS.004	Hose clamp	DN100			2	2
12	HSC.001	Hose	DN100 x 600	Black		1	1
13	NMK.004	Hex nut	M8	DIN 985-8; self-locking		2	2
14	NUS.003	Washer	A 8.4 x 16 x 1.6	DIN 125		4	4
15	RFL.981	Catch hook				1	1
16	NFE.059	Tension spring				1	1
17	NSK.022	Hex head screw	M8 x 40			1	1
18	NSS.003	Hose clamp	DN125			4	4
19	TSZ.219	Anti-kink device				1	1
20	GSW.002	Wall clip	DN125			6	6
21	HSC.002	Hose	DN127 x 6600	Blue		1	1
22	HRB.057	Pipe elbow				1	1
23	HSC.002	Hose	DN127 x 120	Blue		1	1
24	NSS.014	Hose clamp					
25		ExaCut				1	1




 **Vogelsang Deutschland West**

**Hugo Vogelsang  
Maschinenbau GmbH**  
D-49632 Essen (Oldb.)

 +49 54 34 83 0  
 +49 54 34 83 10  
 info@vogelsang-gmbh.com  
 www.vogelsang.info





 **Vogelsang Deutschland Ost**

**Vogelsang Maschinenbau GmbH**  
D-06295 Rothenschirmbach

 +49 3 47 76 2 05 81  
 +49 3 47 76 2 05 82  
 rsb@vogelsang-gmbh.com  
 www.vogelsang.info




 **Vogelsang USA**

**Vogelsang USA Ltd.**  
USA-Ravenna, OH 44266

 +1 33 02 96 38 20  
 +1 33 02 96 41 13  
 sales@vogelsangusa.com  
 www.vogelsangusa.com





 **Vogelsang Danmark**

**Vogelsang A/S**  
DK-6880 Tarm

 +45 97 37 27 77  
 +45 97 37 30 77  
 vogelsang@adr.dk





 **Vogelsang Great Britain**

**Vogelsang Ltd.**  
GB-Crewe, Cheshire CW1 6YY

 +44 12 70 21 66 00  
 +44 12 70 21 66 99  
 sales@vogelsang.co.uk  
 www.vogelsang.co.uk





 **Vogelsang France**

**Vogelsang France S.A.R.L.**  
F-26740 Montboucher Sur Jabron

 +33 4 75 52 74 50  
 +33 4 75 52 76 61  
 info@vogelsang.fr  
 www.vogelsang.fr





 **Vogelsang Italia**

**Vogelsang S.r.l.**  
IT-26025 Pandino (CR)

 +39 03 73 22 03 12  
 +39 03 73 91 08 7  
 info@vogelsang-srl.it  
 www.vogelsang-srl.it





 **Vogelsang España**

**Vogelsang S.L.**  
ES-28770 Colmenar Viejo Madrid

 +34 91 84 64 64 8  
 +34 91 84 64 64 8  
 marcial.gil@vogelsang-spain.es  
 www.vogelsang-spain.es

 **Vogelsang Polska**

**Vogelsang Sp. z o.o.**  
PL-52-214 Wrocław

 +48 71 7 98 9 5 80  
 +48 71 7 98 9 5 82  
 info@vogelsang.pl  
 www.vogelsang.pl




 **Vogelsang Romania**

**Vogelsang Romania SRL**  
RO-021041 Bucuresti

 +40 31 427 2757  
 +40 31 427 2757  
 info@vogelsang.ro  
 www.vogelsang.ro





 **Vogelsang Malaysia**

**Vogelsang Malaysia**  
MY-52200 Kuala Lumpur

 +60 1 22 11 42 23  
 +60 3 62 72 91 87  
 chan@vogelsang-gmbh.com

 **Vogelsang China**

**Vogelsang Mechanical Engineering  
(Shanghai) Co., Ltd**  
CN-Shanghai 200436

 +86 21 61 39 85 01  
 +86 21 61 39 85 02  
 sales@vogelsang.com.cn  
 www.vogelsang.com.cn