



Spare Parts List

Serial Number

SwingUp 15 m

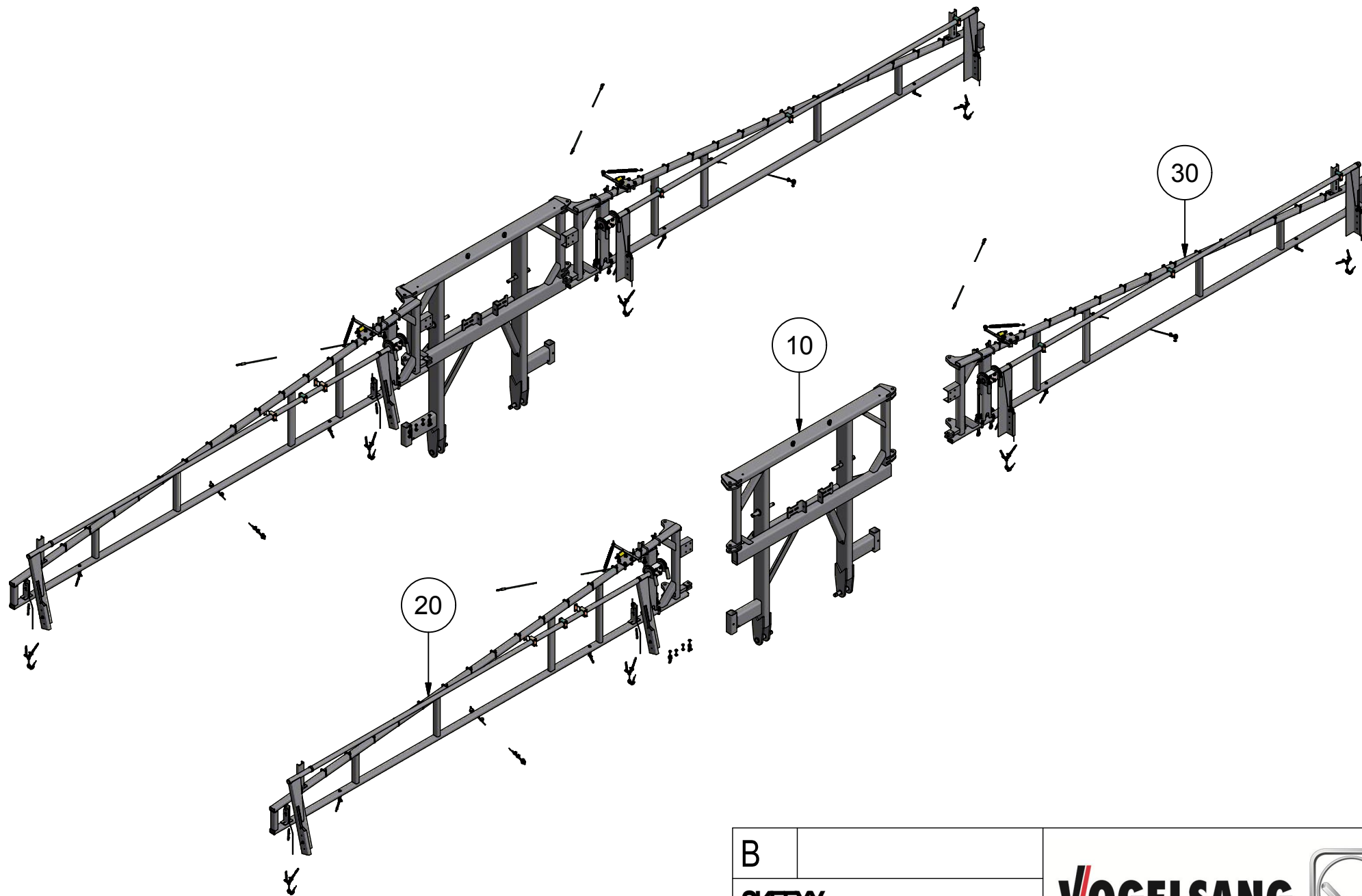
Machine Type

SPK0000639

Part Number

Customer

Order Number



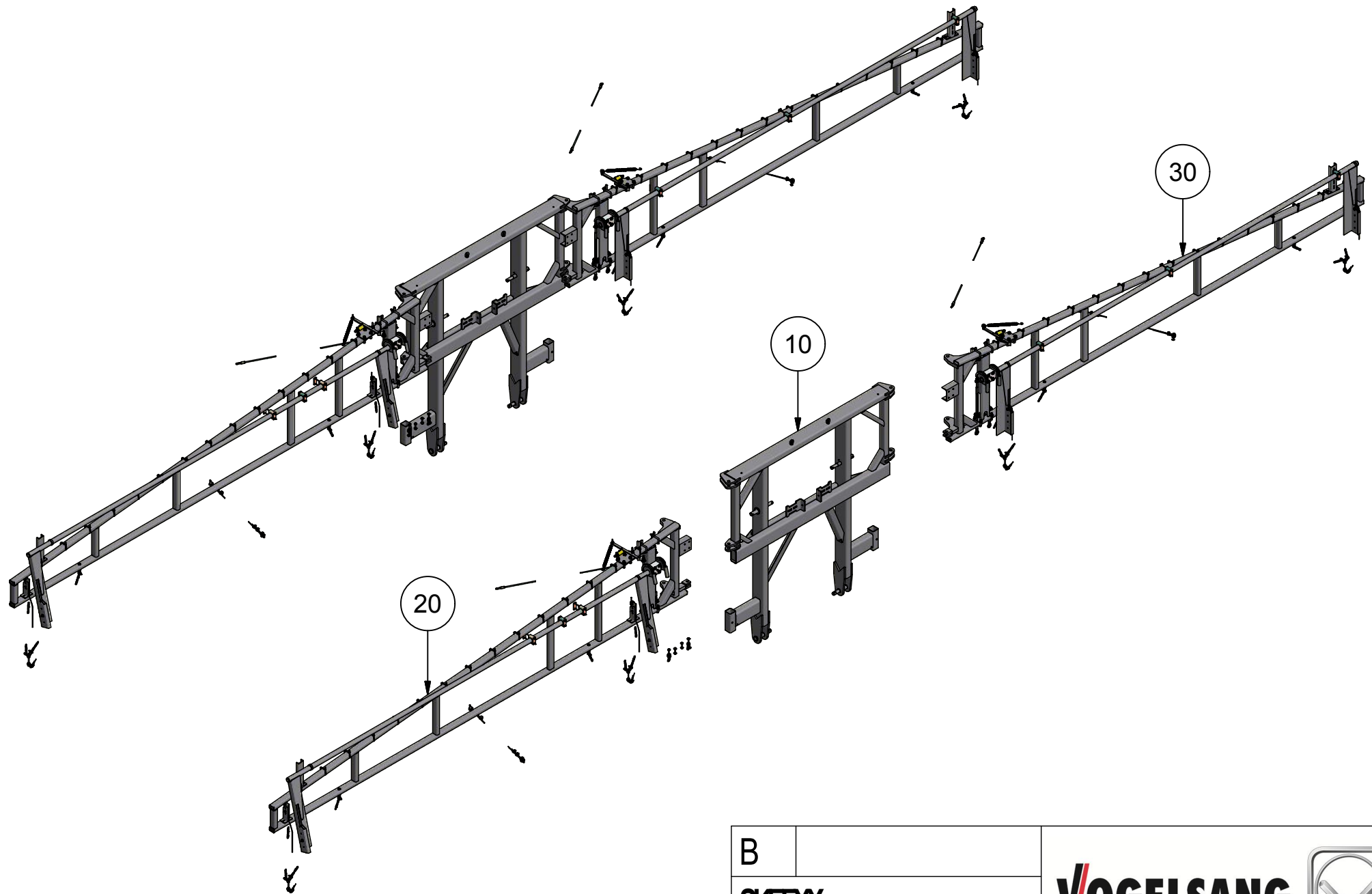
B	
SKEXX	
© Vogelsang GmbH & Co. KG	



Pos.	Denomination	Quantity	Part	Page
0	SwingUp 15 m		SPK0000639	6
10	Supporting Frame SwingUp2 Fixed Mounting Hot-Dip	1 St	THR.102.N1	7
20	Boom SwingUp2 15 m	1 St	TSB0009	8
20.7000	DropStop Shaft SwingUp2 15 m	1 St	TDP0068	9
20.7000.5000	DropStop Actuation Cable Pull, Short	1 St	TES.401	10
20.7000.7000	Assembly Kit Cord Reel	2 St	TSM0535	11
20.7000.8000	Assembly Kit Bearing	1 St	TSM0560	12
20.8000	Hydraulic Parts SwingUp2 / Farmer	1 St	TEH0194	13
20.15000	Assembly Kit Retraction Check Rope	1 St	TSM0026	14
20.16000	Assembly Kit Extender Rope	1 St	TSM0027	15
20.17000	Assembly Kit Rope Length Adjustment	2 St	TSM0534	16
30	Boom SwingUp2 15 m	1 St	TSB0010	17
30.7000	DropStop Shaft SwingUp2 15 m	1 St	TDP0069	18
30.7000.5000	DropStop Actuation Cable Pull, Short	1 St	TES.401	10
30.7000.7000	Assembly Kit Cord Reel	2 St	TSM0535	11
30.7000.8000	Assembly Kit Bearing	1 St	TSM0560	12
30.15000	Assembly Kit Retraction Check Rope	1 St	TSM0026	14
30.16000	Assembly Kit Extender Rope	1 St	TSM0027	15
30.17000	Assembly Kit Rope Length Adjustment	2 St	TSM0534	16
30.53000	Hydraulic Parts SwingUp2 / Farmer	1 St	TEH0194	13
40	Feed Line, Distributor SwingUp2/3, 14 m/15 m	2 St	TSZ0010	19
40.3000	Assembly Kit Wall Clips	1 St	TSM0412	20
40.4000	Assembly Kit Wall Clips	1 St	TSM0413	21
50	ExaCut ECL30 DN40	2 St	DPK0000005	22
50.10	Housing, Parts Kit ECL30-40	1 St	GEC.002	23
50.10.3000	ExaCut, Installation Parts ECL/ECLEO30-40	1 St	TZL.602	24
50.10.3000.1000	Drive Adapter Single Ventilation	1 St	TAS.013	25
50.10.3000.1000.1000	Seal Kit ExaCut Shaft Diameter \varnothing 32 mm	1 St	DDS0016	26
50.20	Cutting Ring ECL30-40	2 St	TFL.615.N3	
50.30	ExaCut Rotor DN 100 / 125	1 St	GER0005	27

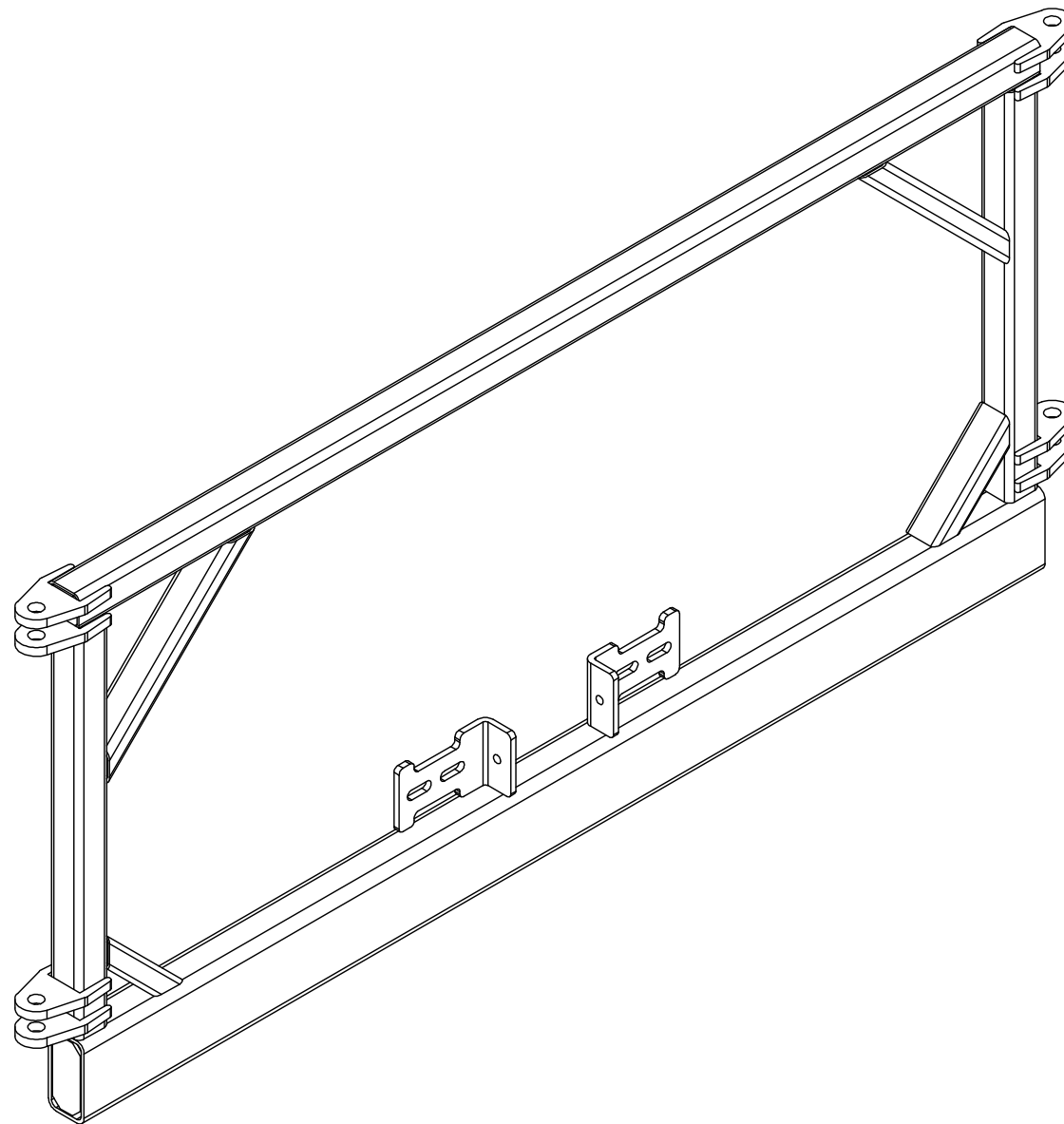
Pos.	Denomination	Quantity	Part	Page
50.30.1000	ExaCut Rotor DN 100 / 125	1 St	GER0014	28
50.40	Hydraulic Motor Painted 250 cm ³ /U, 32,0 mm	1 St	AOM.018.TF	
50.50	Eccentric Adjuster ECL/ECV 100%	2 St	TEV.005.N1	29
50.50.2000	Torsion Spring Set Double Torsion Spring with Torsion	1 St	NFE0084	30
50.60	Label Turn off Drive	2 St	VAU.013.00	
50.70	Label Caution: Risk of Hand Injuries 100 mm x 113 mm	2 St	VAU.014	
50.80	Label Operating Instructions	1 St	VAU.133	
50.90	Label Vogelsang Logo	2 St	VAU0046	
50.100		1 St	VAU0120	
60	Distributor Holder ECL	2 St	THM.132	31
70	Square Tube 60 mm x 40 mm x 2 mm	7,35 m	HRV.038	
80	Square Tube 60 mm x 40 mm x 2 mm	7,35 m	HRV.038	
90	Rectangular Plug 60 mm x 40 mm x 14 mm	4 St	NST.012	
100	Hose Retainer, DropStop Pipe DN 40, Left	12 St	TSZ.254.TL	32
110	Hose Retainer, DropStop Pipe DN 40, Right	12 St	TSZ.254.TR	33
120	Hose Retainer, DropStop Pipe DN 40, On Both Sides	4 St	TSZ.330	34
130	Hose Retainer, DropStop Pipe DN 40, On Both Sides	32 St	TSZ.253	35
140	Assembly Kit Connecting Element	2 St	TSM0273	36
150	Slide Valve with Actuation 6 inch Manuel Actuation	1 St	TSZ0065	37
150.3000	Bolt Set	8 St	IBA.030.T8	38
160	Spiral Hose Ø 40 mm x 3,7 mm, PVC, 3 bar Transparent Green	220 m	HSC.016	
170	Spiral Hose Ø 40 mm x 3,7 mm, PVC, 6 bar Transparent-Red	8 m	HSC0036	
180	Hose Section Ø 40 mm x 3,7 mm, 800 mm PVC, Transparent	60 St	HSC.044	39
190	Support 4 mm 1.0038	4 St	RFL.632	
200	Assembly Kit Mounting	4 St	TSM0089	40
210	Hose Guide Canted, DN 40	4 St	TSE.027	41
220	Holding and Security Device Boom Compax Left, Hydraulic 60	1 St	TSM0036	42
230	Holding and Security Device Boom Compax Right, Hydraulic	1 St	TSM0074	43
240	Assembly Kit Release	1 St	TSZ0026	44
250	Assembly Kit Holder	2 St	TSM0041	45

Pos.	Denomination	Quantity	Part	Page
260	Lashing Strap 25 mm x 2000 mm	20 St	TSE.119	
270	T-Fitting, Supporting Frame SwingUp2/3/Farmer	1 St	TSM0039	46
280	Pipe Adapter 90° 6 inch Square Flange	1 St	GSA.014	47
290	Flat Gasket Square Flange	1 St	DFD.018	
300	Bracket, Supporting Frame SwingUp2/ 3/ Farmer, Complete	1 St	THM.100.T2	48
300.1000	Bracket, Supporting Frame SwingUp2/ 3/ Farmer, Left	1 St	THM.100.T2.TL	49
300.2000	Bracket, Supporting Frame SwingUp2/ 3/ Farmer, Right	1 St	THM.100.T2.TR	50
310	Assembly Kit Supporting Frame - Tank	1 St	TSM0042	51
320	Supporting Frame, Installation Parts SwingUp2/ 3/ Farmer	1 St	TSM0037	52
320.6000	Set of Pins Ø 20 mm x 63 mm	2 St	TSM0003	53
320.13000	Set of Pins M 24 x 130 mm	4 St	TSZ0008	54
330	Assembly Kit Hydraulic Cylinder	1 St	TSM0444	55
340	Hydraulic Parts	1 St	TEH0016	56
350	Assembly Kit Fuse DropStop Shaft Supporting Frame	1 St	TSM0557	57
360	Plug Coupling Plug BGR 6	3 St	SST.049	
370	Plug Coupling Plug BGR 3	2 St	SST.021	
380	Hydraulic Line, Parts Kit SwingUp2/ 3 12 m/ 15 m	2 St	TEH0036	58
390	Hydraulic Hose 2 SN DN 10 x 2300 mm	2 St	THZ.142	
400	Hydraulic Line, Parts Kit SwingUp2/ 3/ Farmer	1 St	TEH0037	59
410	Hydraulic Line, Parts Kit SwingUp2 12 m/ 15 m	2 St	TEH0075	60
420	Hydraulic Line, Parts Kit SwingUp2/ 3/ Farmer	1 St	TEH0040	61
430	Hydraulic Parts Partial Width Switching, manual	1 St	TEH0172	62
440		1 St	VAU0120	
450	Parts Kit, Stickers SwingUp2/3, SwingUp Farmer ,	1 St	TSZ0020	63
460	Warning Sign Kit with Holder 423 x 423 mm Distance between	1 St	TSE.149	64
470	Hydraulic Oil Barrel	2,95 l	BSS.014	



B	
SKEXX	
© Vogelsang GmbH & Co. KG	





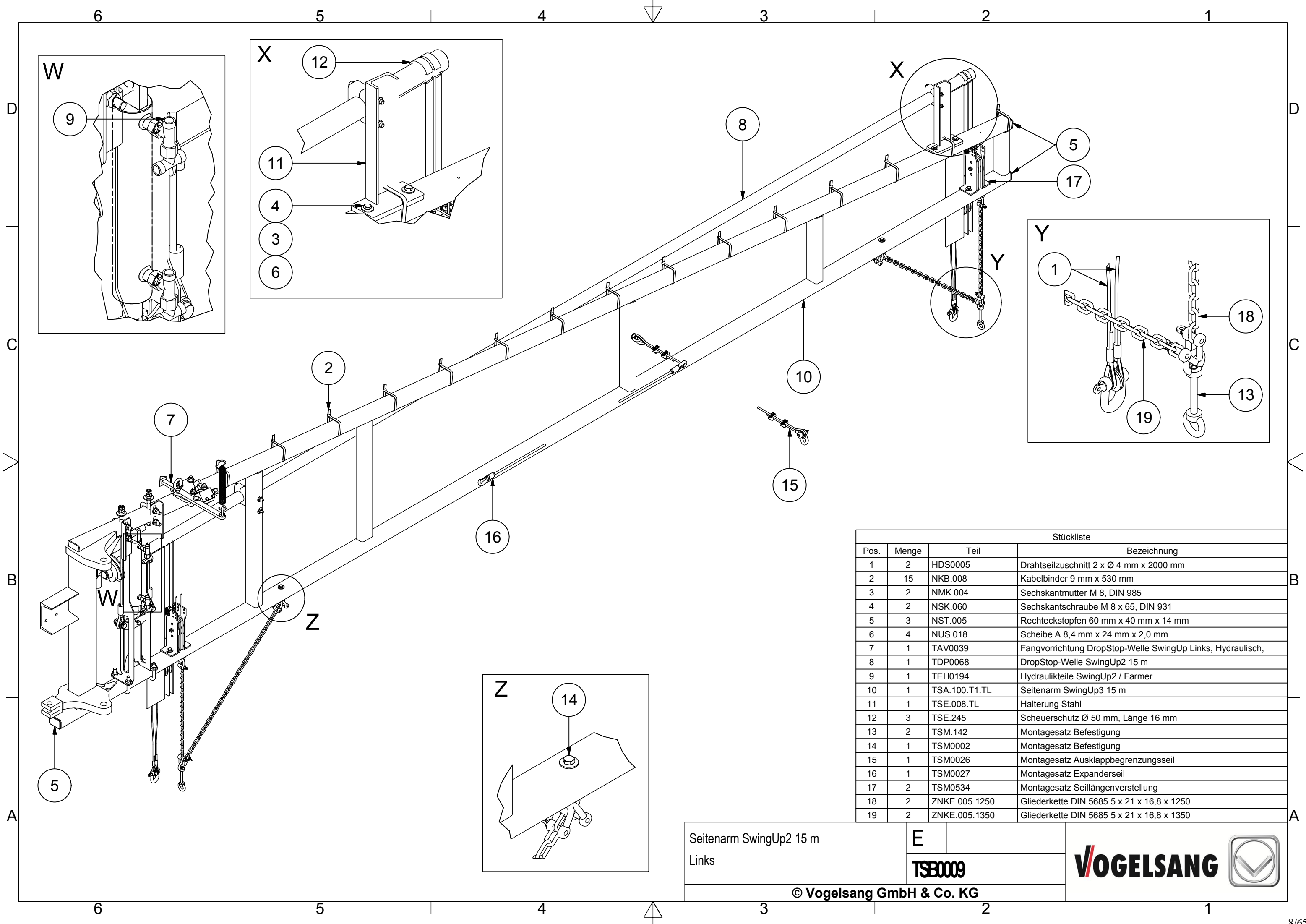
Supporting Frame
SwingUp2
Fixed Mounting Hot-Dip

B

THR102N1

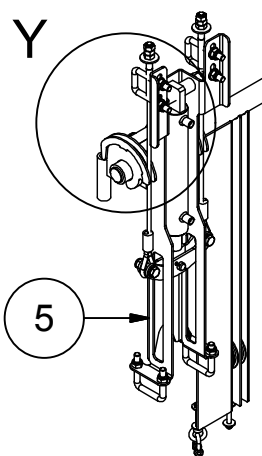
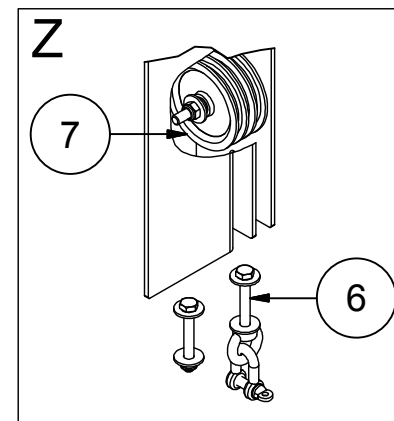
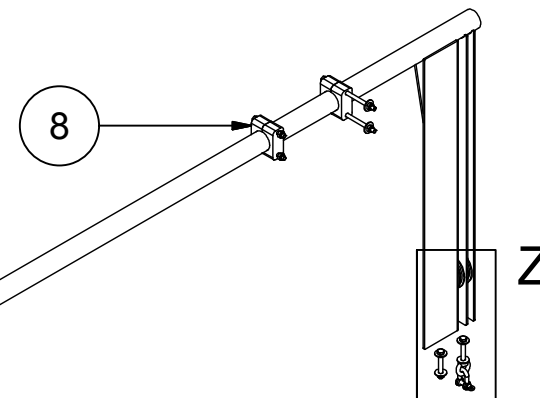
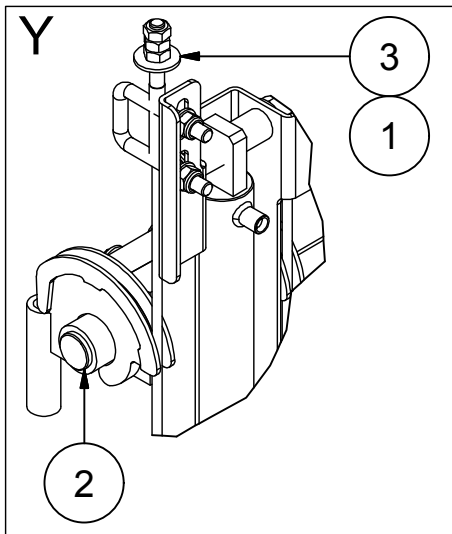
VOGELSANG





Stückliste			
Pos.	Menge	Teil	Bezeichnung
1	2	HDS0005	Drahtseilzuschnitt 2 x Ø 4 mm x 2000 mm
2	15	NKB.008	Kabelbinder 9 mm x 530 mm
3	2	NMK.004	Sechskantmutter M 8, DIN 985
4	2	NSK.060	Sechskantschraube M 8 x 65, DIN 931
5	3	NST.005	Rechteckstopfen 60 mm x 40 mm x 14 mm
6	4	NUS.018	Scheibe A 8,4 mm x 24 mm x 2,0 mm
7	1	TAV0039	Fangvorrichtung DropStop-Welle SwingUp Links, Hydraulisch,
8	1	TDP0068	DropStop-Welle SwingUp2 15 m
9	1	TEH0194	Hydraulikteile SwingUp2 / Farmer
10	1	TSA.100.T1.TL	Seitenarm SwingUp3 15 m
11	1	TSE.008.TL	Halterung Stahl
12	3	TSE.245	Scheuerschutz Ø 50 mm, Länge 16 mm
13	2	TSM.142	Montagesatz Befestigung
14	1	TSM0002	Montagesatz Befestigung
15	1	TSM0026	Montagesatz Ausklappbegrenzungsseil
16	1	TSM0027	Montagesatz Expanderseil
17	2	TSM0534	Montagesatz Seillängenverstellung
18	2	ZNKE.005.1250	Gliederkette DIN 5685 5 x 21 x 16,8 x 1250
19	2	ZNKE.005.1350	Gliederkette DIN 5685 5 x 21 x 16,8 x 1350

Seitenarm SwingUp2 15 m	E	
Links		
© Vogelsang GmbH & Co. KG		



BOM			
Pos.	Qty.	Part	Description
1	6	NMS.004	Hexagon Nut M 12, DIN 934
2	2	NST.044	Lamellar Plug Ø 32 mm x 14 mm x 1-2 mm
3	2	NUS.015	Washer A 13,0 mm x 37 mm x 3,0 mm
4	1	SSB0505	DropStop Shaft SwingUp2 15 m
5	1	TES.401	DropStop Actuation Cable Pull, Short
6	2	TSM.140	Assembly Kit Mounting
7	2	TSM0535	Assembly Kit Cord Reel
8	1	TSM0559	Assembly Kit Bearing

DropStop Shaft
SwingUp2 15 m

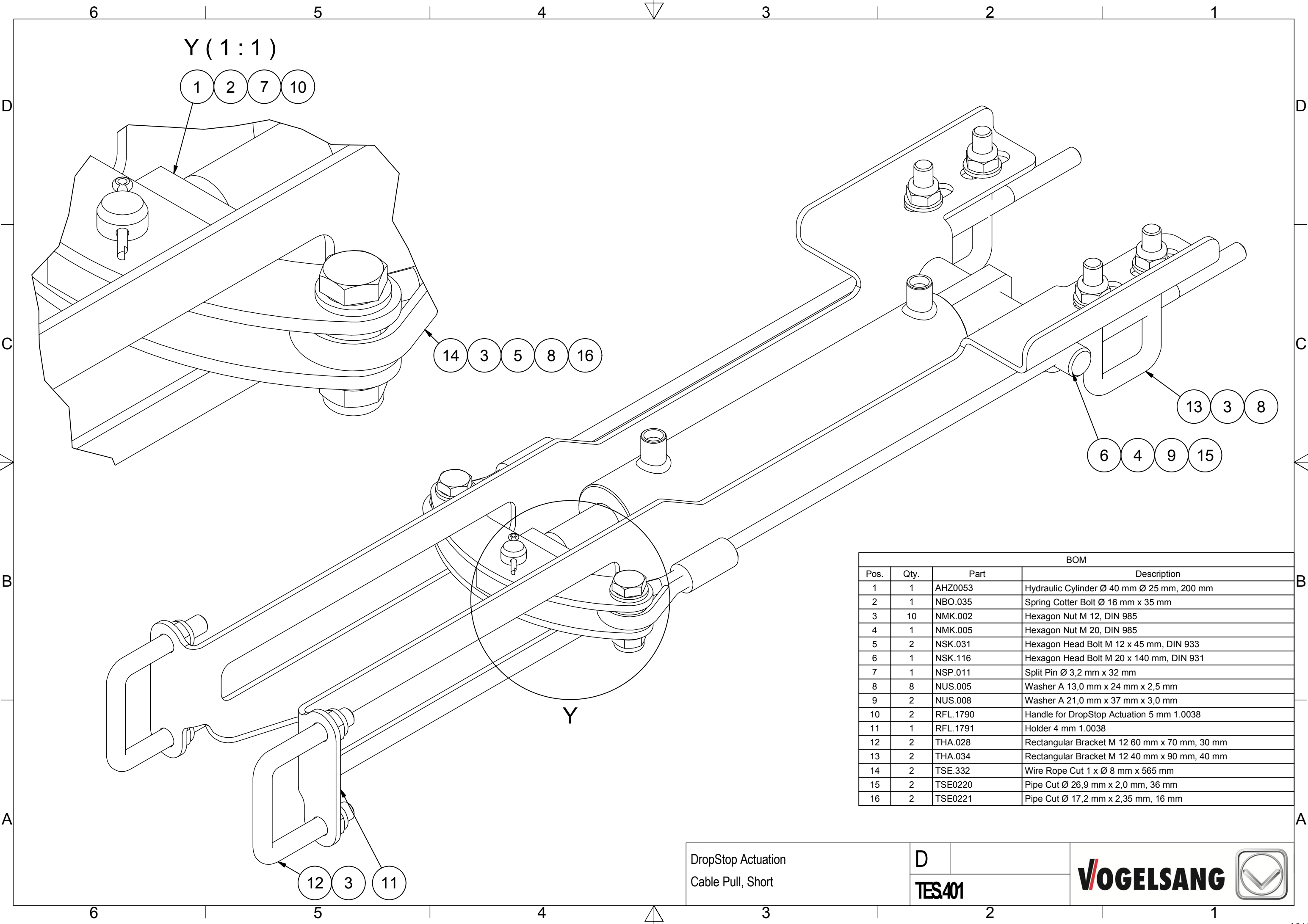
A

TDP0068

VOGELSANG



© Hugo Vogelsang Maschinenbau GmbH.



Y (1:1)

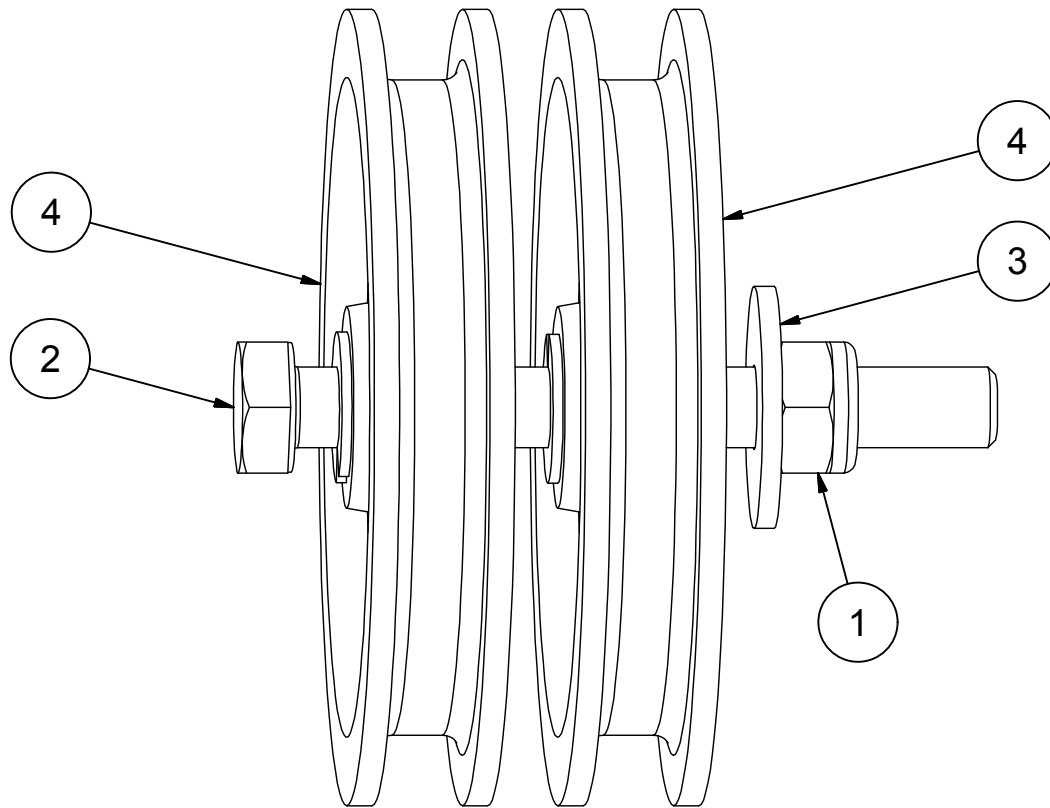
Y

BOM			
Pos.	Qty.	Part	Description
1	1	AHZ0053	Hydraulic Cylinder Ø 40 mm Ø 25 mm, 200 mm
2	1	NBO.035	Spring Cotter Bolt Ø 16 mm x 35 mm
3	10	NMK.002	Hexagon Nut M 12, DIN 985
4	1	NMK.005	Hexagon Nut M 20, DIN 985
5	2	NSK.031	Hexagon Head Bolt M 12 x 45 mm, DIN 933
6	1	NSK.116	Hexagon Head Bolt M 20 x 140 mm, DIN 931
7	1	NSP.011	Split Pin Ø 3,2 mm x 32 mm
8	8	NUS.005	Washer A 13,0 mm x 24 mm x 2,5 mm
9	2	NUS.008	Washer A 21,0 mm x 37 mm x 3,0 mm
10	2	RFL.1790	Handle for DropStop Actuation 5 mm 1.0038
11	1	RFL.1791	Holder 4 mm 1.0038
12	2	THA.028	Rectangular Bracket M 12 60 mm x 70 mm, 30 mm
13	2	THA.034	Rectangular Bracket M 12 40 mm x 90 mm, 40 mm
14	2	TSE.332	Wire Rope Cut 1 x Ø 8 mm x 565 mm
15	2	TSE0220	Pipe Cut Ø 26,9 mm x 2,0 mm, 36 mm
16	2	TSE0221	Pipe Cut Ø 17,2 mm x 2,35 mm, 16 mm

DropStop Actuation
Cable Pull, Short

D
TES401





BOM			
Pos.	Qty.	Part	Description
1	1	NMK.004	Hexagon Nut M 8, DIN 985
2	1	NSK.061	Hexagon Head Bolt M 8 x 70 mm, DIN 931
3	1	NUS.018	Washer A 8,4 mm x 24 mm x 2,0 mm
4	2	TSR.001	Cable Pulley Ø 80 mm

Assembly Kit

Cord Reel

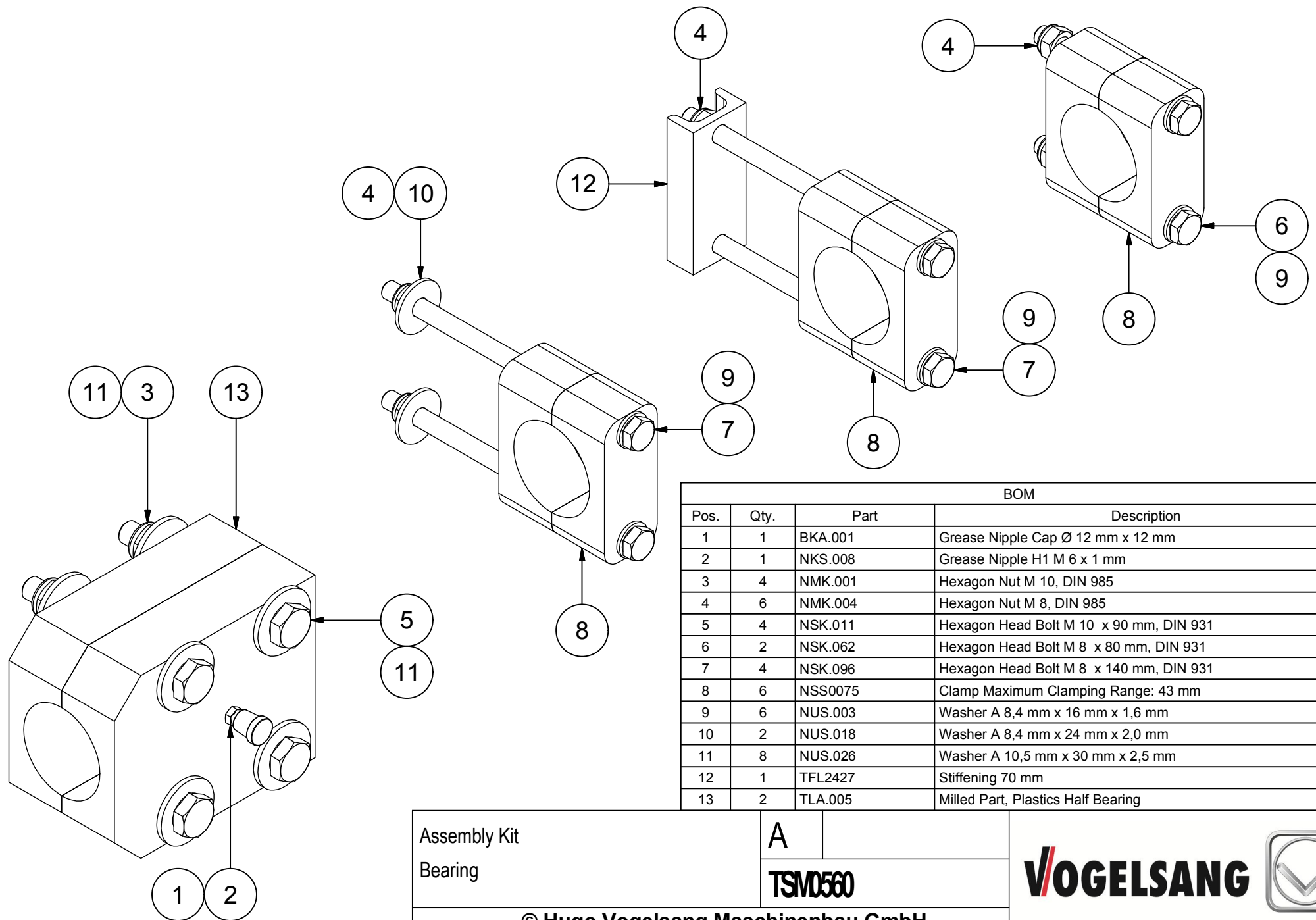
A

TSMD535

VOGELSANG



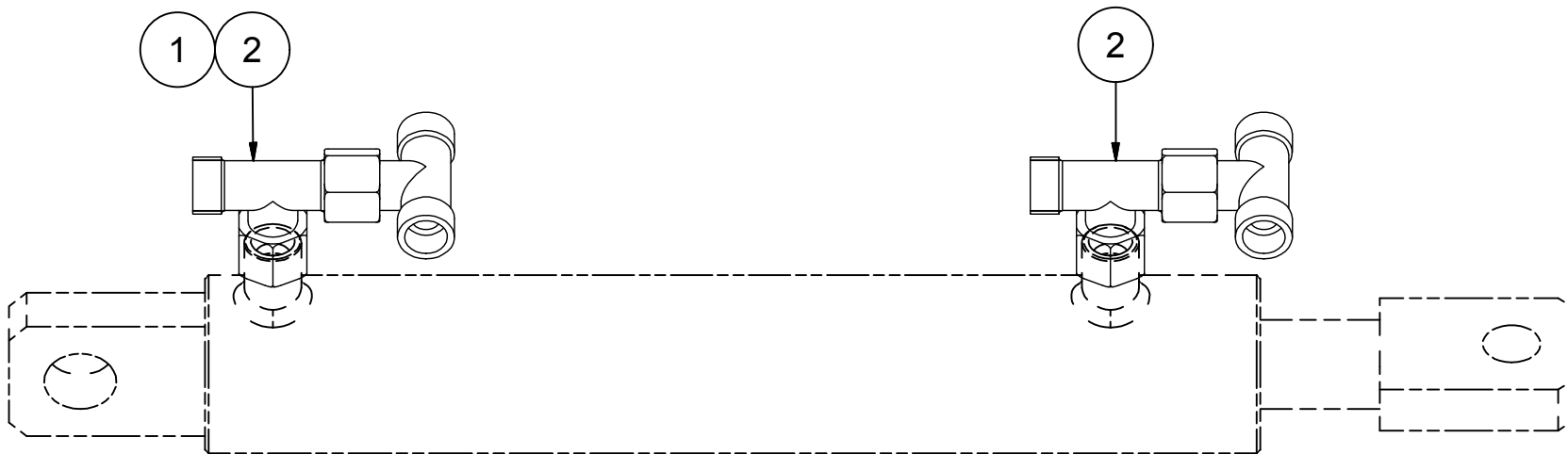
© Hugo Vogelsang Maschinenbau GmbH.




BOM			
Pos.	Qty.	Part	Description
1	1	BKA.001	Grease Nipple Cap Ø 12 mm x 12 mm
2	1	NKS.008	Grease Nipple H1 M 6 x 1 mm
3	4	NMK.001	Hexagon Nut M 10, DIN 985
4	6	NMK.004	Hexagon Nut M 8, DIN 985
5	4	NSK.011	Hexagon Head Bolt M 10 x 90 mm, DIN 931
6	2	NSK.062	Hexagon Head Bolt M 8 x 80 mm, DIN 931
7	4	NSK.096	Hexagon Head Bolt M 8 x 140 mm, DIN 931
8	6	NSS0075	Clamp Maximum Clamping Range: 43 mm
9	6	NUS.003	Washer A 8,4 mm x 16 mm x 1,6 mm
10	2	NUS.018	Washer A 8,4 mm x 24 mm x 2,0 mm
11	8	NUS.026	Washer A 10,5 mm x 30 mm x 2,5 mm
12	1	TFL2427	Stiffening 70 mm
13	2	TLA.005	Milled Part, Plastics Half Bearing

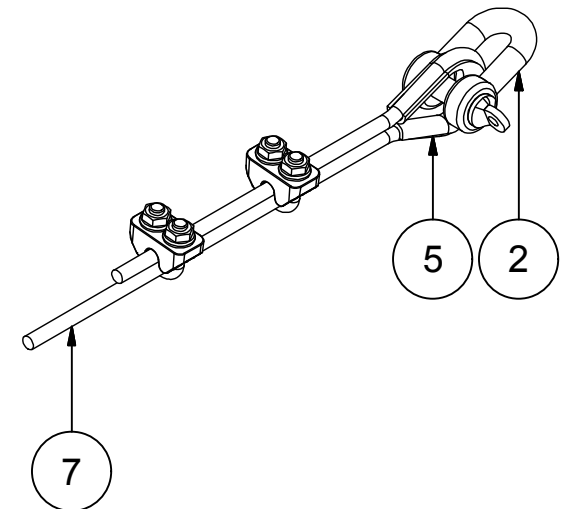
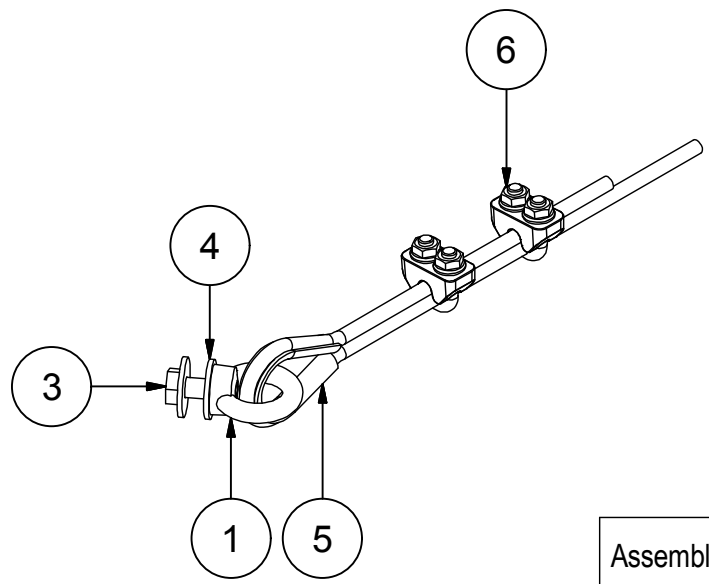
Assembly Kit	A
	TSVD560
Bearing	
© Hugo Vogelsang Maschinenbau GmbH.	

VOGELSANG



BOM			
Pos.	Qty.	Part	Description
1	1	NDV.014	Throttle Plate 10 L Bore Ø 0,6 mm
2	4	NGE.036	Connection Fitting T-Shaped Coupling

Hydraulic Parts SwingUp2 / Farmer	B	
	TE-0194	
© Vogelsang GmbH & Co. KG		



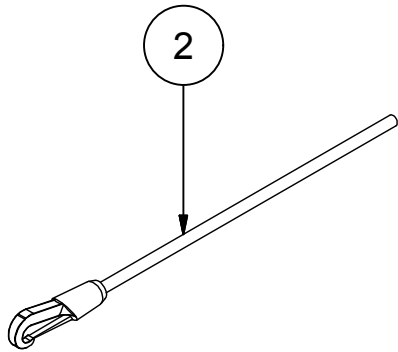
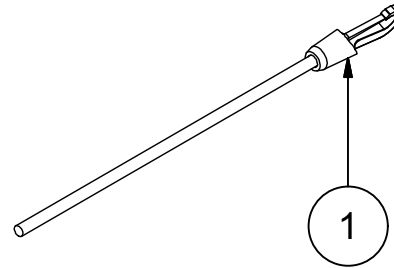
BOM			
Pos.	Qty.	Part	Description
1	1	NMK.015	Ring Nut M 8, DIN 582
2	1	NSC.052	Clevis Nominal Size 0,40-DIN 82101 A
3	1	NSK.018	Hexagon Head Bolt M 8 x 20 mm, DIN 933
4	2	NUS.018	Washer A 8,4 mm x 24 mm x 2,0 mm
5	2	TMB.010	Thimble DIN 6899, 8 mm
6	4	TMB.013	Wire Rope Clip 6,5 mm
7	1	ZTMB007.6500	

Assembly Kit
Retraction Check Rope

A
TSM0026



© Hugo Vogelsang Maschinenbau GmbH.



BOM			
Pos.	Qty.	Part	Description
1	2	SKB.001	Snap Hook 70 mm x
2	1	ZSEX001.1500	

Assembly Kit
Extender Rope

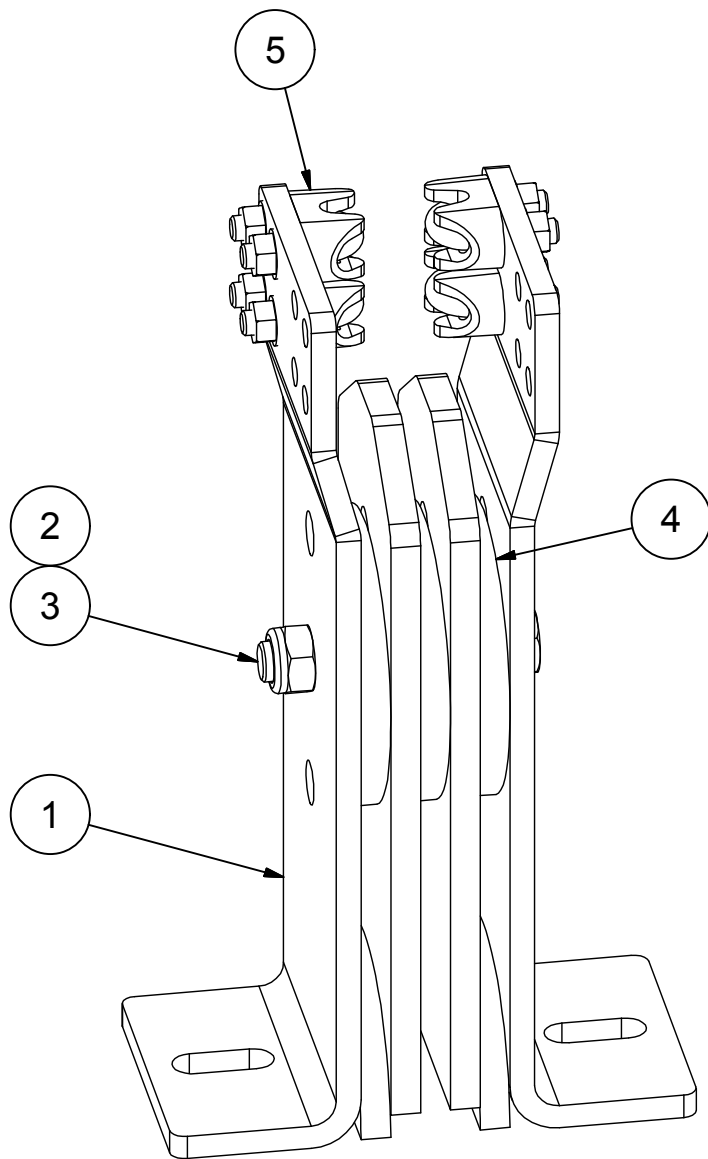
A

TSM0027

VOGELSANG



© Hugo Vogelsang Maschinenbau GmbH.



BOM			
Pos.	Qty.	Part	Description
1	2	IBS5373	Cable Pulley Holder Steel
2	1	NMK.004	Hexagon Nut M 8, DIN 985
3	1	NSK.023	Hexagon Head Bolt M 8 x 50 mm, DIN 931
4	3	NUS0112	Distance Washer 9,0 mm x 60 mm x 6,0 mm
5	4	TMB.015	Wire Rope Clip 5 mm

Assembly Kit
Rope Length Adjustment

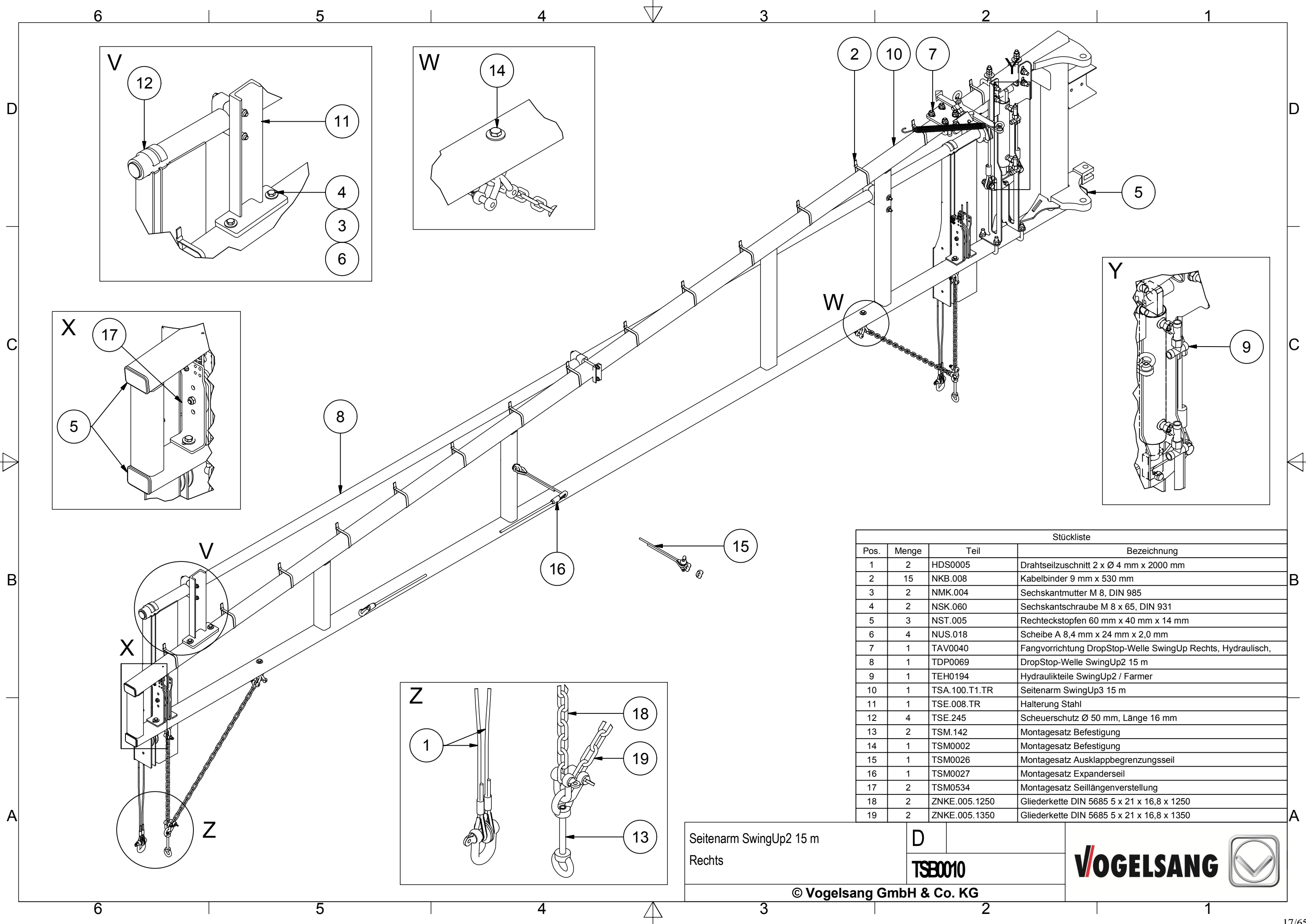
B

TSVD534

VOGELSANG

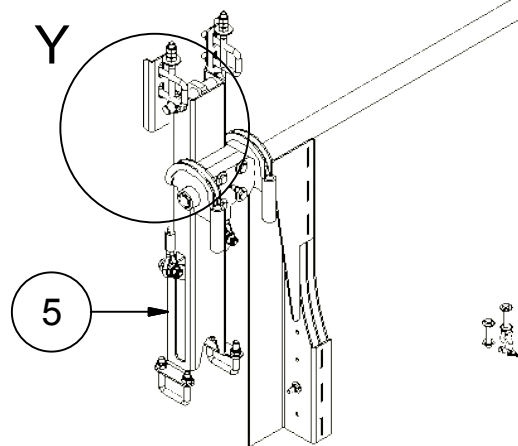
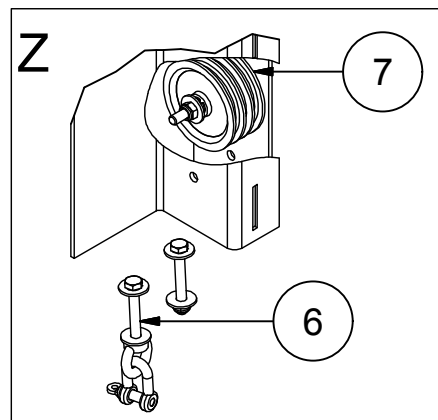
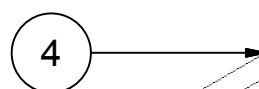
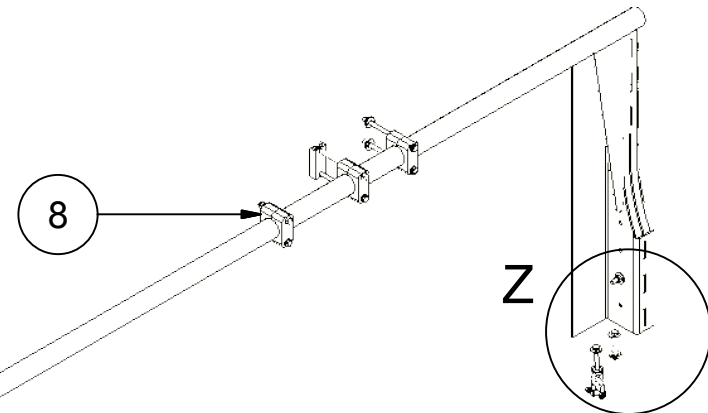
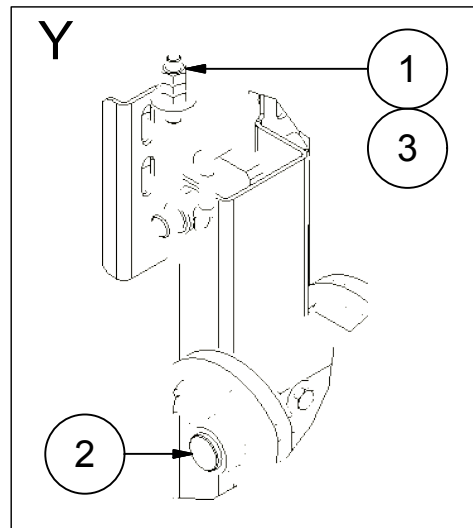


© Hugo Vogelsang Maschinenbau GmbH.



Stückliste			
Pos.	Menge	Teil	Bezeichnung
1	2	HDS0005	Drahtseilzuschnitt 2 x Ø 4 mm x 2000 mm
2	15	NKB.008	Kabelbinder 9 mm x 530 mm
3	2	NMK.004	Sechskantmutter M 8, DIN 985
4	2	NSK.060	Sechskantschraube M 8 x 65, DIN 931
5	3	NST.005	Rechteckstopfen 60 mm x 40 mm x 14 mm
6	4	NUS.018	Scheibe A 8,4 mm x 24 mm x 2,0 mm
7	1	TAV0040	Fangvorrichtung DropStop-Welle SwingUp Rechts, Hydraulisch,
8	1	TDP0069	DropStop-Welle SwingUp2 15 m
9	1	TEH0194	Hydraulikteile SwingUp2 / Farmer
10	1	TSA.100.T1.TR	Seitenarm SwingUp3 15 m
11	1	TSE.008.TR	Halterung Stahl
12	4	TSE.245	Scheuerschutz Ø 50 mm, Länge 16 mm
13	2	TSM.142	Montagesatz Befestigung
14	1	TSM0002	Montagesatz Befestigung
15	1	TSM0026	Montagesatz Ausklappbegrenzungsseil
16	1	TSM0027	Montagesatz Expanderseil
17	2	TSM0534	Montagesatz Seillängenverstellung
18	2	ZNKE.005.1250	Gliederkette DIN 5685 5 x 21 x 16,8 x 1250
19	2	ZNKE.005.1350	Gliederkette DIN 5685 5 x 21 x 16,8 x 1350

Seitenarm SwingUp2 15 m	D	
Rechts		
© Vogelsang GmbH & Co. KG		



BOM			
Pos.	Qty.	Part	Description
1	6	NMS.004	Hexagon Nut M 12, DIN 934
2	2	NST.044	Lamellar Plug Ø 32 mm x 14 mm x 1-2 mm
3	2	NUS.015	Washer A 13,0 mm x 37 mm x 3,0 mm
4	1	SSB0506	DropStop Shaft SwingUp2 15 m
5	1	TES.401	DropStop Actuation Cable Pull, Short
6	2	TSM.140	Assembly Kit Mounting
7	2	TSM0535	Assembly Kit Cord Reel
8	1	TSM0560	Assembly Kit Bearing

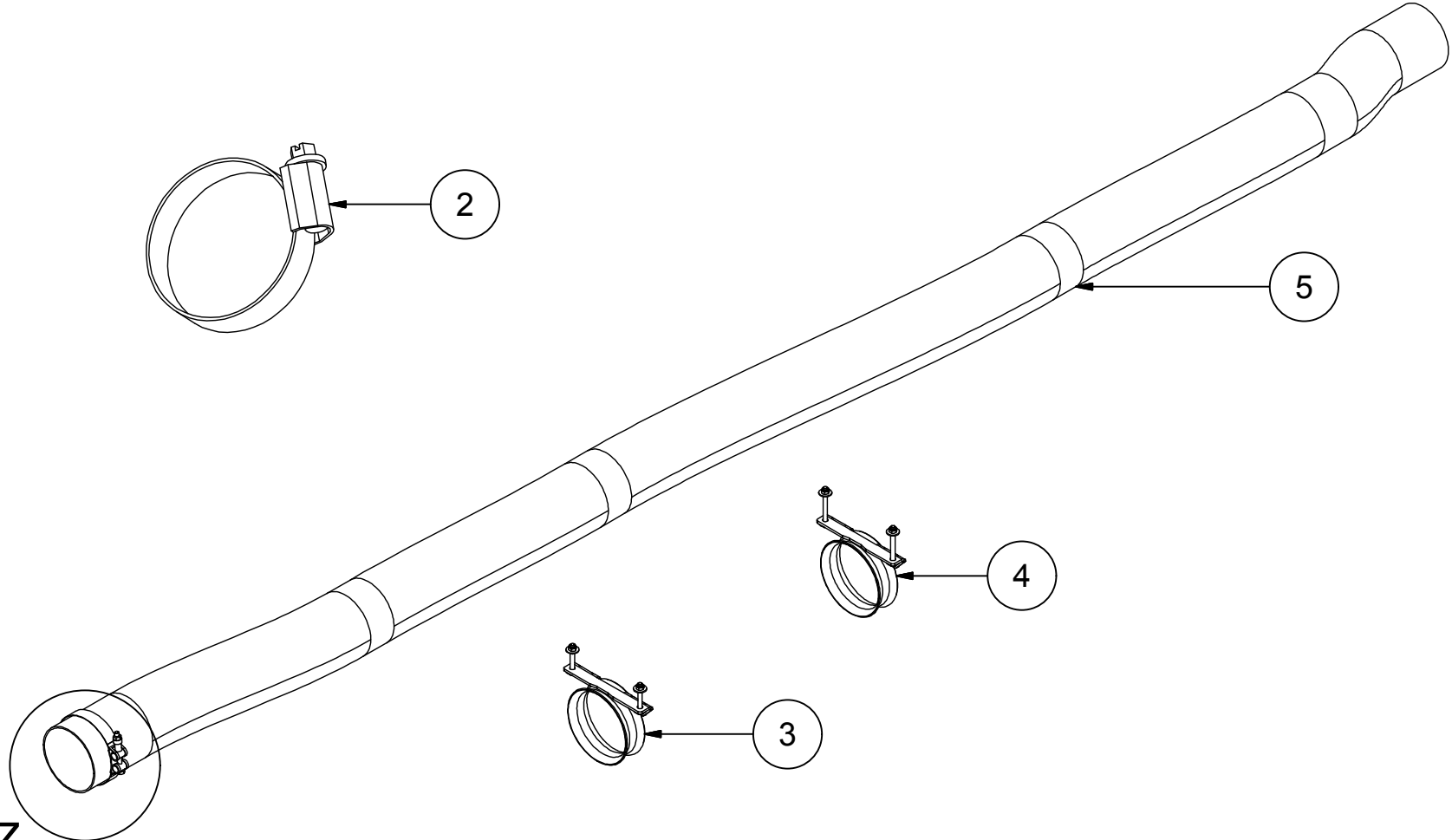
DropStop Shaft
SwingUp2 15 m

A

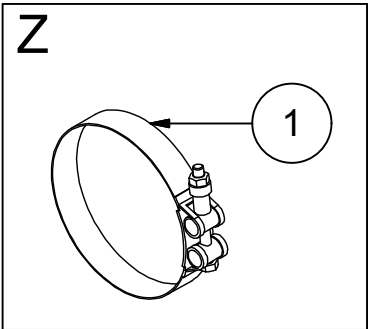
TDP0069

© Hugo Vogelsang Maschinenbau GmbH.





Z

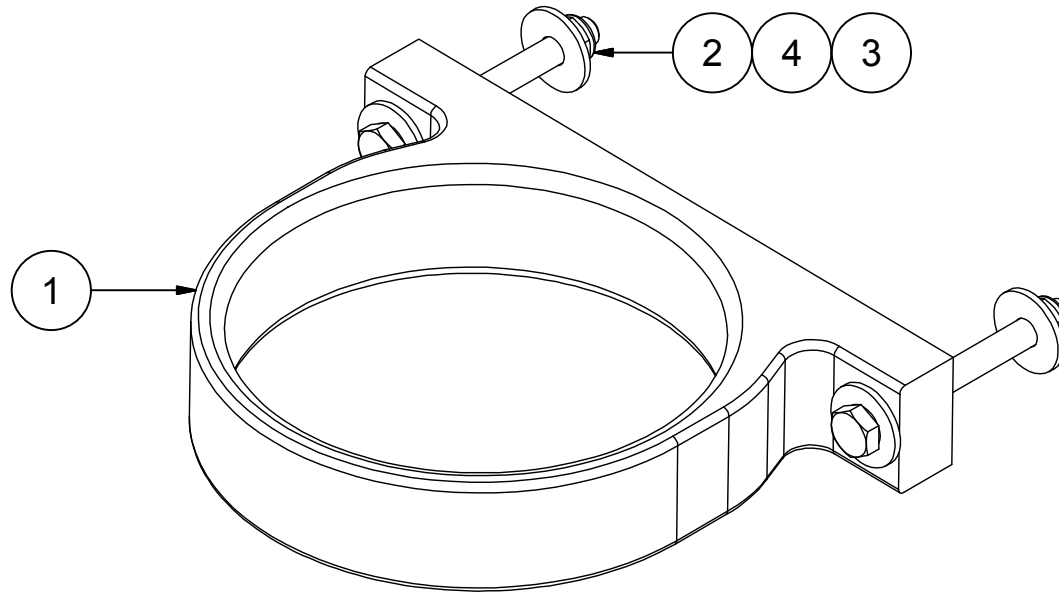


BOM			
Pos.	Qty.	Part	Description
1	1	NSS.009	Clamping Jaws Maximum Clamping Range: 139 mm
2	32	NSS.014	Worm Drive Hose Clip Maximum Clamping Range: 50 mm
3	1	TSM0412	Assembly Kit Wall Clips
4	1	TSM0413	Assembly Kit Wall Clips
5	1	ZHSC.002.N1.3250	

Feed Line, Distributor
 SwingUp2/3, 14
 m/15 m

D
 TSZ0010





BOM			
Pos.	Qty.	Part	Description
1	1	IBS4635	Hose Guide DN 125
2	2	NMK.004	Hexagon Nut M 8, DIN 985
3	2	NSK0078	Hexagon Head Bolt M 8 x 75 mm, DIN 931
4	4	NUS.018	Washer A 8,4 mm x 24 mm x 2,0 mm

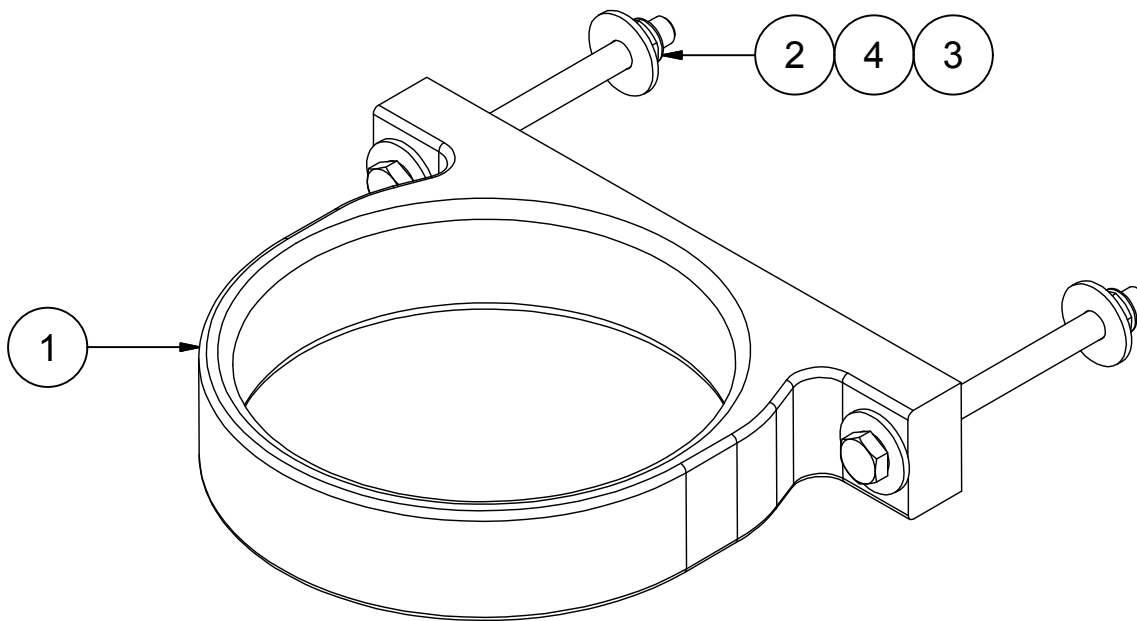
Assembly Kit
Wall Clips

B

TSM0412

VOGELANG





BOM			
Pos.	Qty.	Part	Description
1	1	IBS4635	Hose Guide DN 125
2	2	NMK.004	Hexagon Nut M 8, DIN 985
3	2	NSK.049	Hexagon Head Bolt M 8 x 100 mm, DIN 931
4	4	NUS.018	Washer A 8,4 mm x 24 mm x 2,0 mm

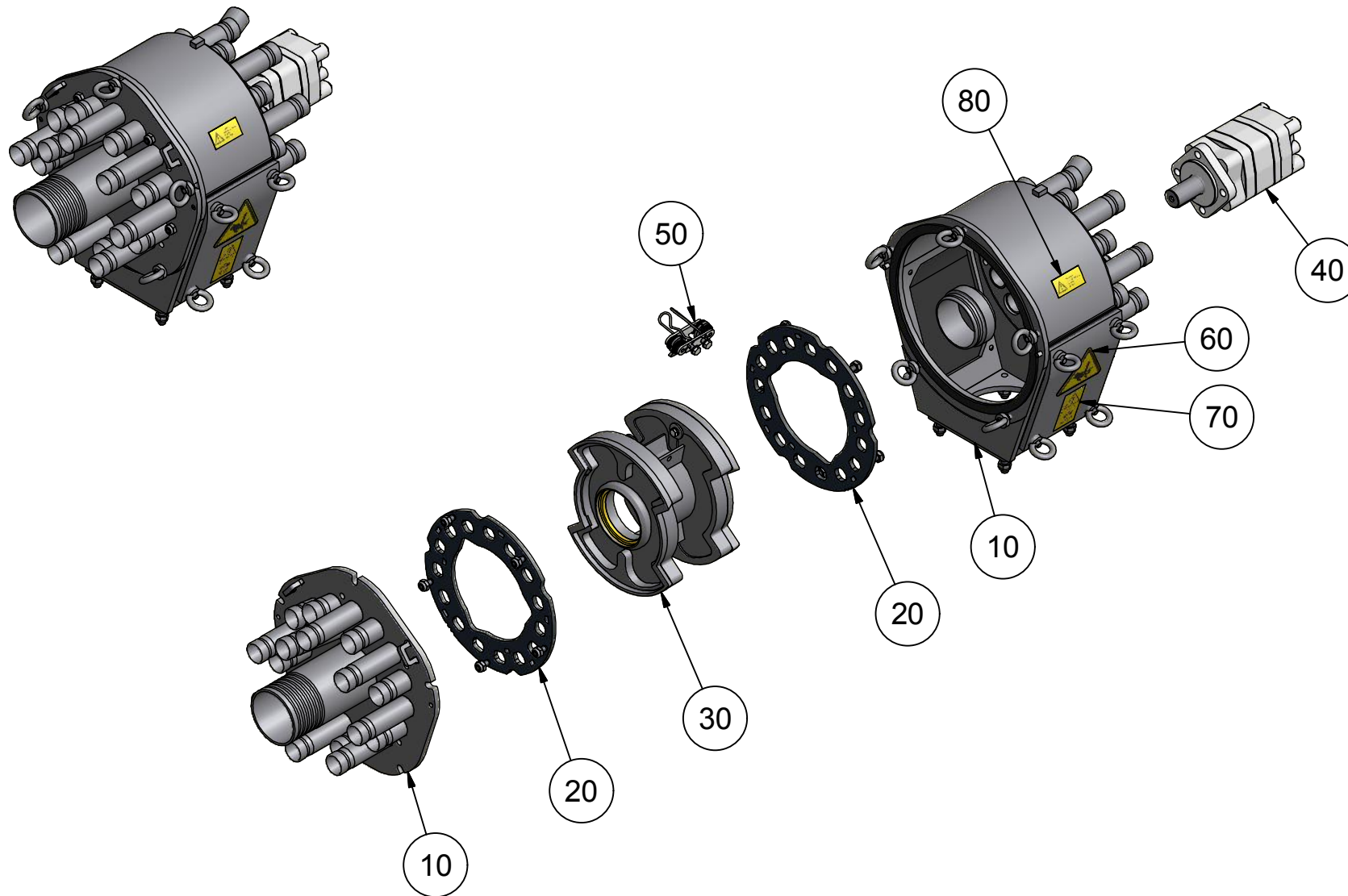
Assembly Kit
Wall Clips

B

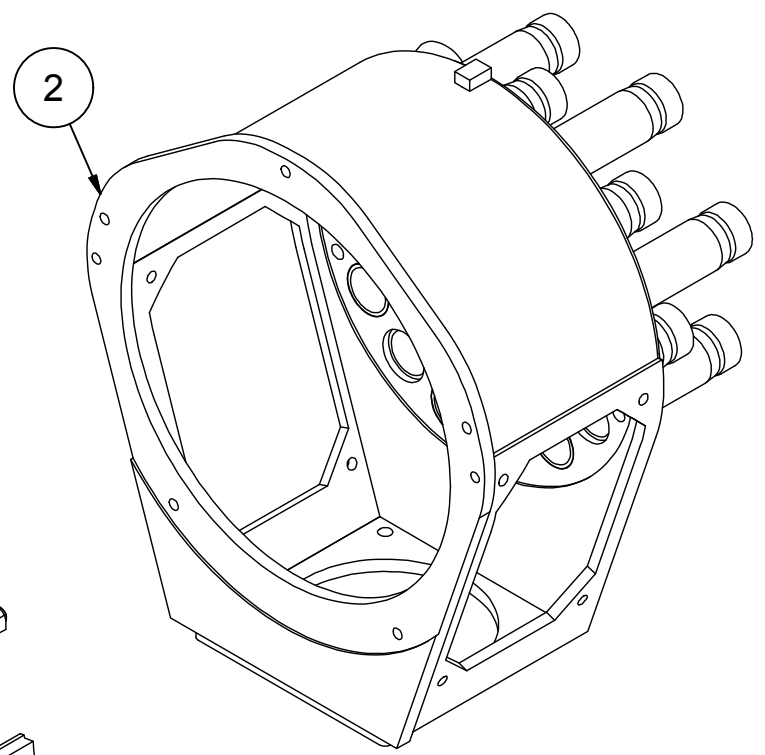
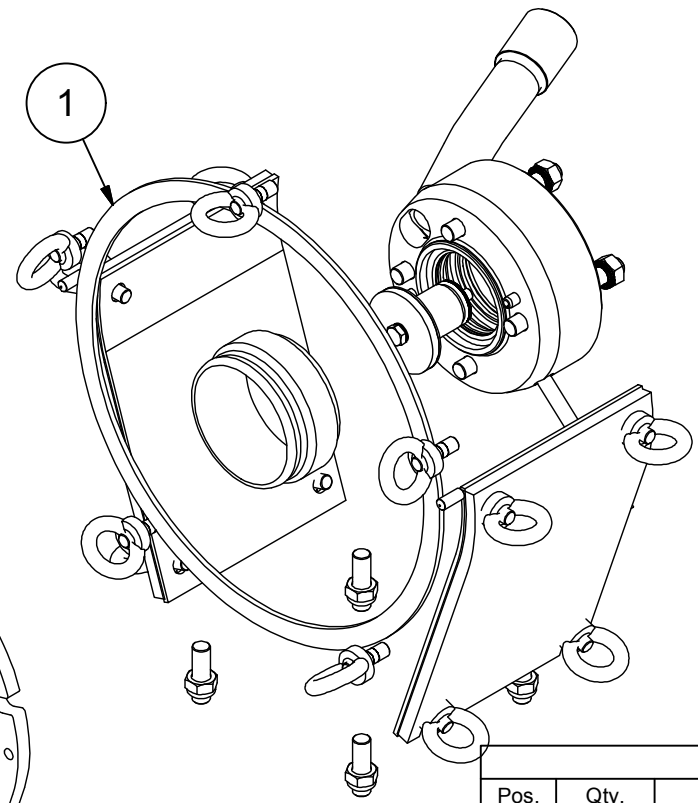
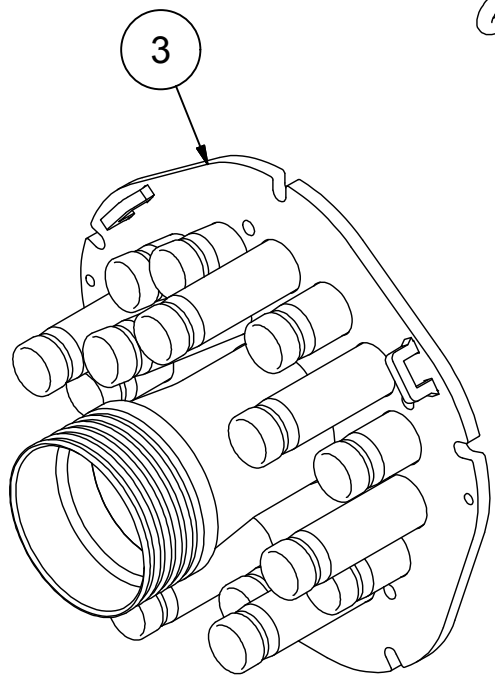
TSM0413

VOGELSANG





ExaCut Rotor 2	A	VOGELSANG 
	DKADXX	

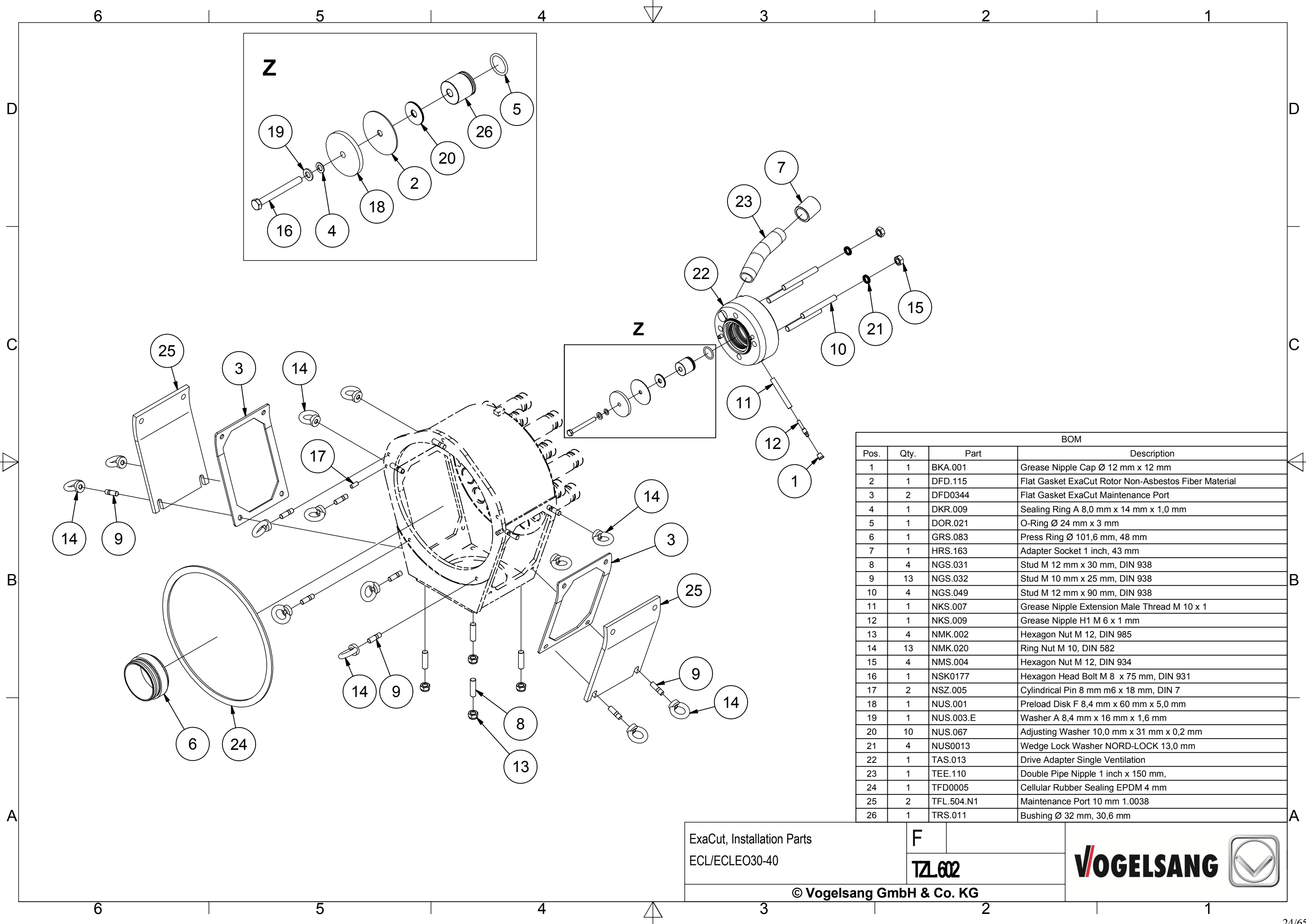


BOM			
Pos.	Qty.	Part	Description
3	1	TDE.604	Housing Cover, Machined ECL30-40
2	1	TEG.601	Housing, Machined ECL30-40
1	1	TZL.602	ExaCut, Installation Parts ECL/ECLEO30-40

Housing, Parts Kit
ECL30-40

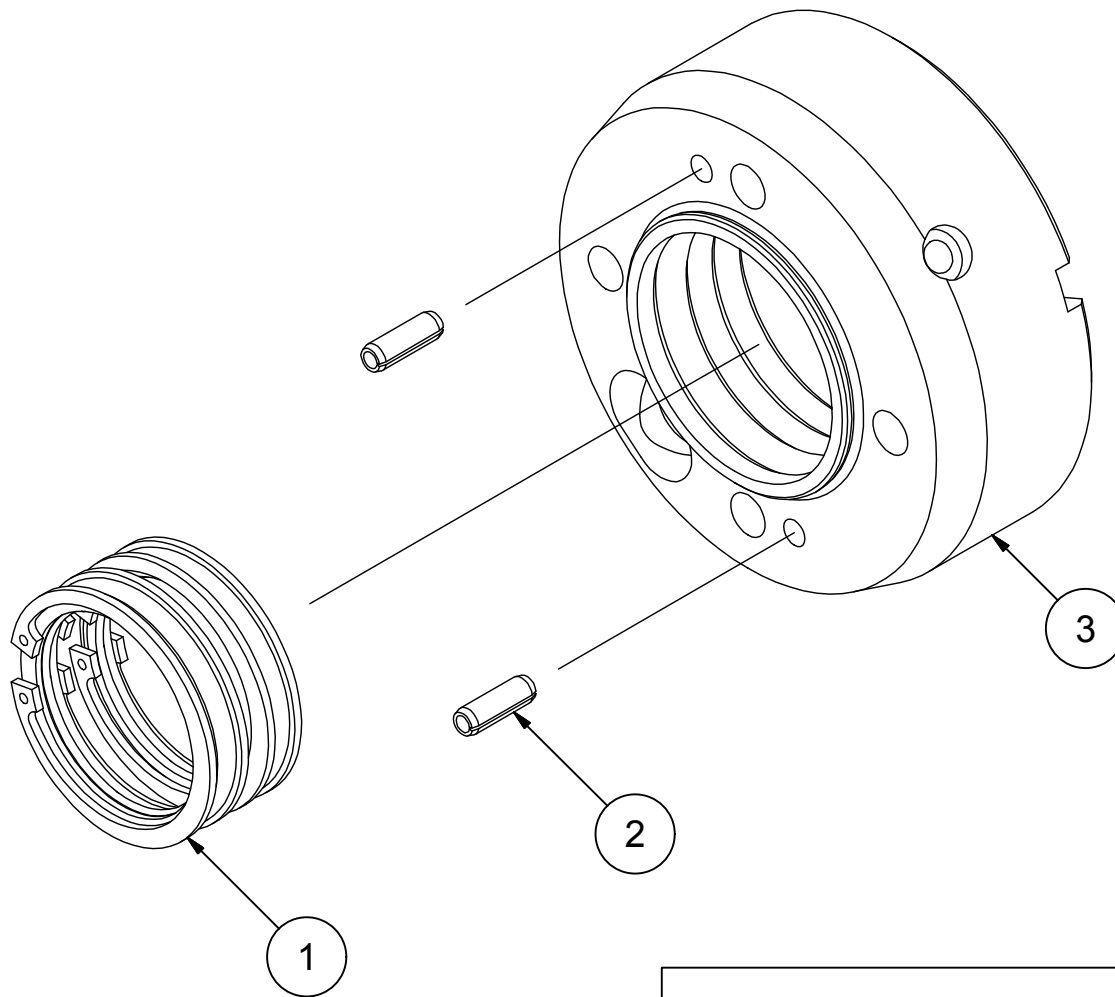
A
GEC.002





BOM			
Pos.	Qty.	Part	Description
1	1	BKA.001	Grease Nipple Cap Ø 12 mm x 12 mm
2	1	DFD.115	Flat Gasket ExaCut Rotor Non-Asbestos Fiber Material
3	2	DFD0344	Flat Gasket ExaCut Maintenance Port
4	1	DKR.009	Sealing Ring A 8,0 mm x 14 mm x 1,0 mm
5	1	DOR.021	O-Ring Ø 24 mm x 3 mm
6	1	GRS.083	Press Ring Ø 101,6 mm, 48 mm
7	1	HRS.163	Adapter Socket 1 inch, 43 mm
8	4	NGS.031	Stud M 12 mm x 30 mm, DIN 938
9	13	NGS.032	Stud M 10 mm x 25 mm, DIN 938
10	4	NGS.049	Stud M 12 mm x 90 mm, DIN 938
11	1	NKS.007	Grease Nipple Extension Male Thread M 10 x 1
12	1	NKS.009	Grease Nipple H1 M 6 x 1 mm
13	4	NMK.002	Hexagon Nut M 12, DIN 985
14	13	NMK.020	Ring Nut M 10, DIN 582
15	4	NMS.004	Hexagon Nut M 12, DIN 934
16	1	NSK0177	Hexagon Head Bolt M 8 x 75 mm, DIN 931
17	2	NSZ.005	Cylindrical Pin 8 mm m6 x 18 mm, DIN 7
18	1	NUS.001	Preload Disk F 8,4 mm x 60 mm x 5,0 mm
19	1	NUS.003.E	Washer A 8,4 mm x 16 mm x 1,6 mm
20	10	NUS.067	Adjusting Washer 10,0 mm x 31 mm x 0,2 mm
21	4	NUS0013	Wedge Lock Washer NORD-LOCK 13,0 mm
22	1	TAS.013	Drive Adapter Single Ventilation
23	1	TEE.110	Double Pipe Nipple 1 inch x 150 mm,
24	1	TFD0005	Cellular Rubber Sealing EPDM 4 mm
25	2	TFL.504.N1	Maintenance Port 10 mm 1.0038
26	1	TRS.011	Bushing Ø 32 mm, 30,6 mm

ExaCut, Installation Parts ECL/ECLEO30-40	F	
	TZL602	
© Vogelsang GmbH & Co. KG		



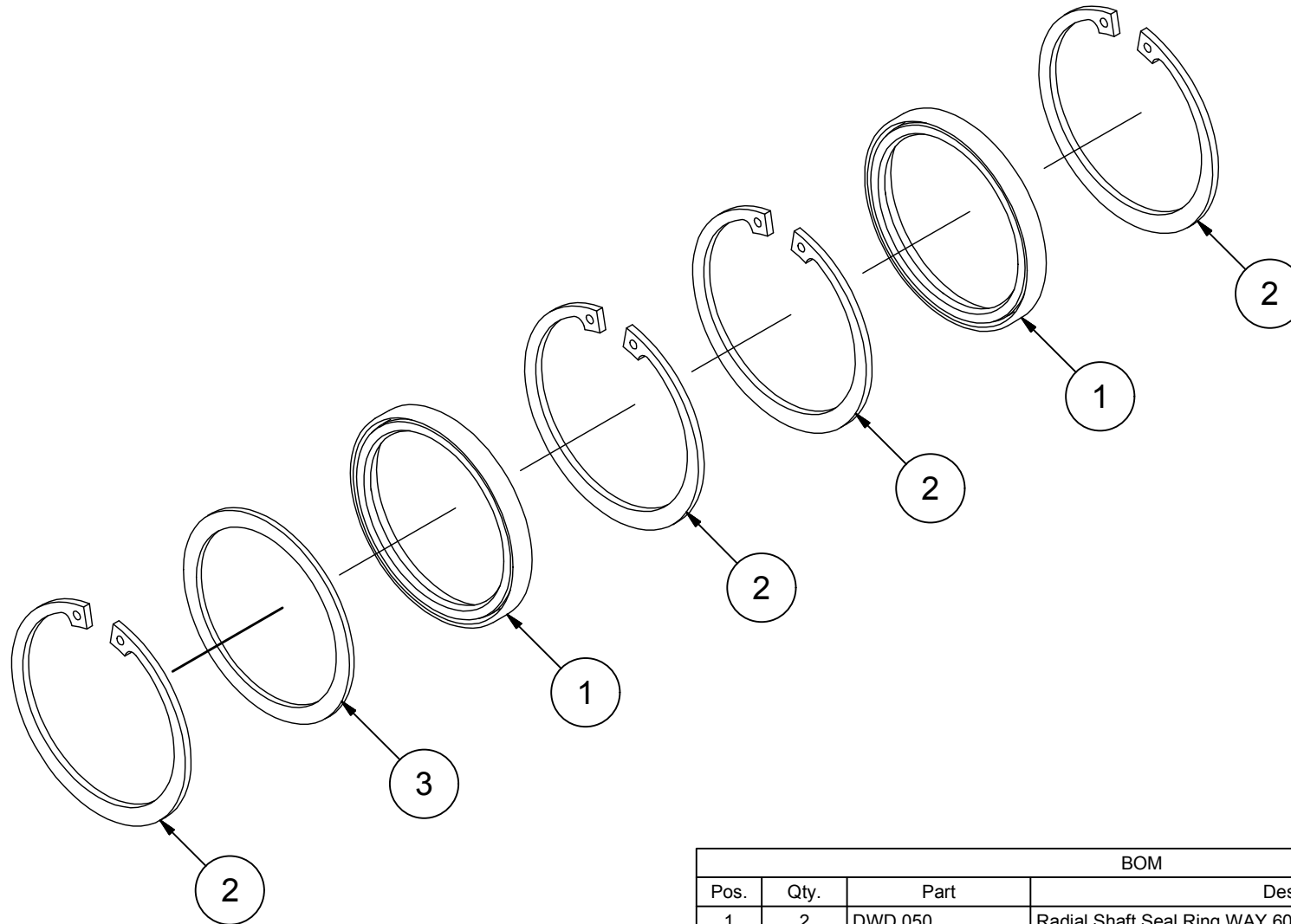
BOM			
Pos.	Qty.	Part	Description
1	1	DDS0016	Seal Kit ExaCut Shaft Diameter Ø 32 mm
2	2	NSP.025	Spring Pin 8 mm x 24 mm, ISO 8752
3	1	TRS0015	Drive Adapter Ø 149 mm, 62 mm

Drive Adapter
Single Ventilation

C
TAS013

VOGELSANG





BOM			
Pos.	Qty.	Part	Description
1	2	DWD.050	Radial Shaft Seal Ring WAY 60 mm x 72 mm x 7 mm
2	4	NSR.025	Retaining Ring Ø 72 mm x 2,5 mm
3	1	NUS.060	Washer 60,0 mm x 71,8 mm x 2,0 mm

Seal Kit ExaCut
 Shaft Diameter Ø 32 mm

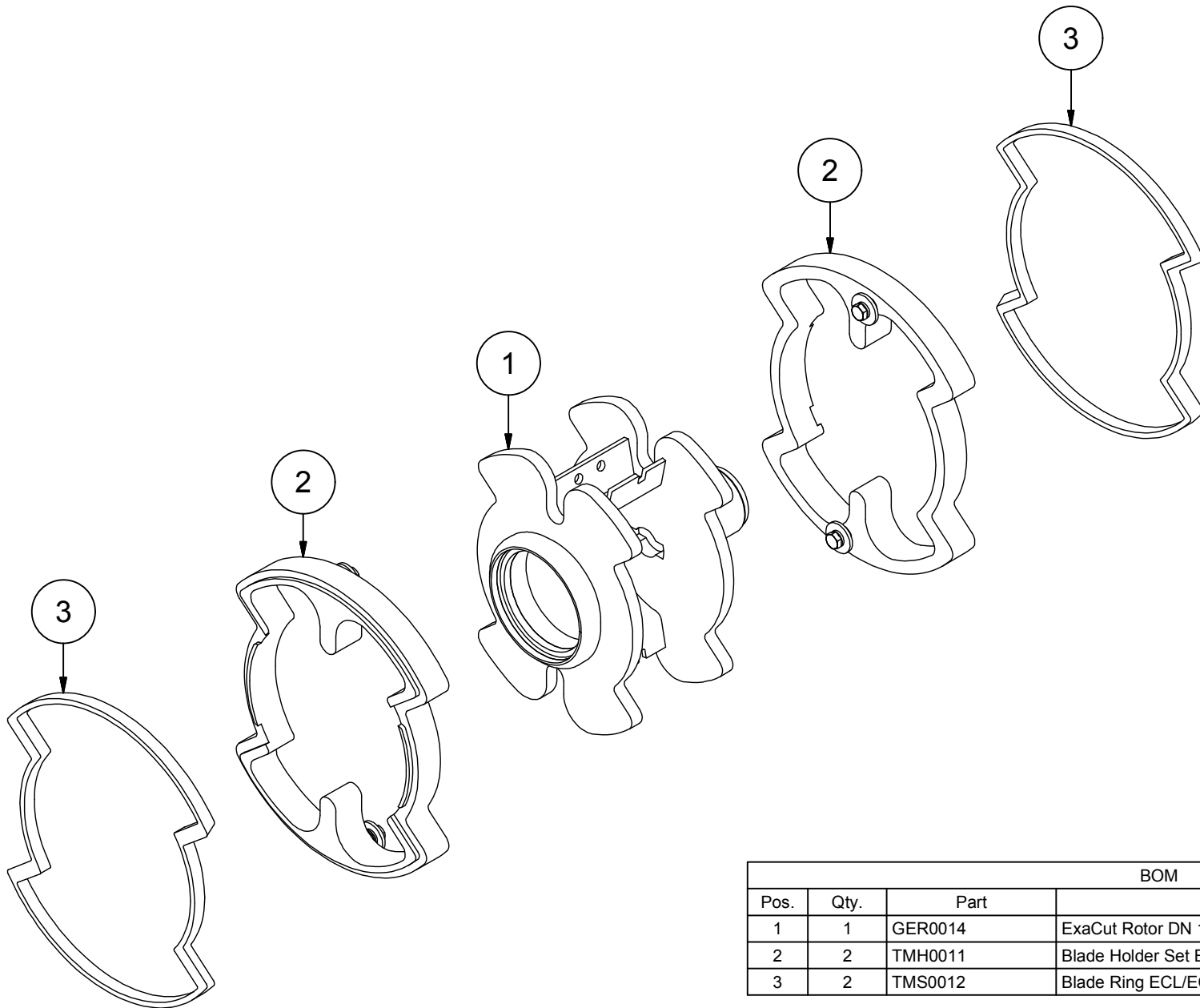
A

DDS0016


VOGELSANG

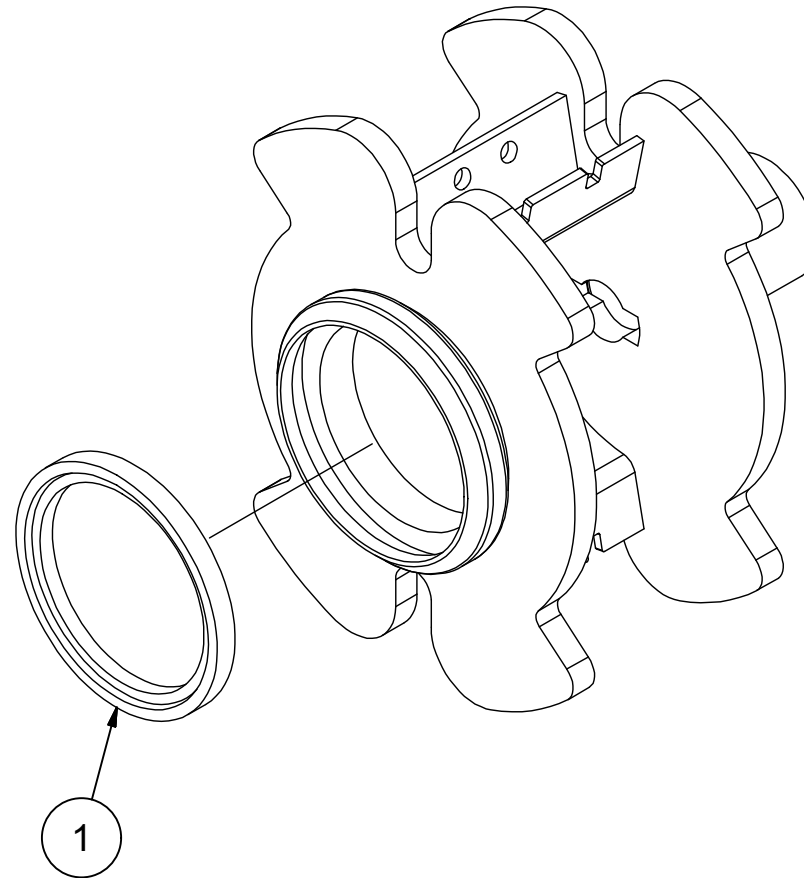


© Hugo Vogelsang Maschinenbau GmbH.



BOM			
Pos.	Qty.	Part	Description
1	1	GER0014	ExaCut Rotor DN 100 / 125
2	2	TMH0011	Blade Holder Set ECL/ECV Inlet Size: DN 100 / 125
3	2	TMS0012	Blade Ring ECL/ECV Inlet Size: DN 100 / 125

ExaCut Rotor DN 100 / 125	A	
	GER0005	



ExaCut Rotor
DN 100 / 125

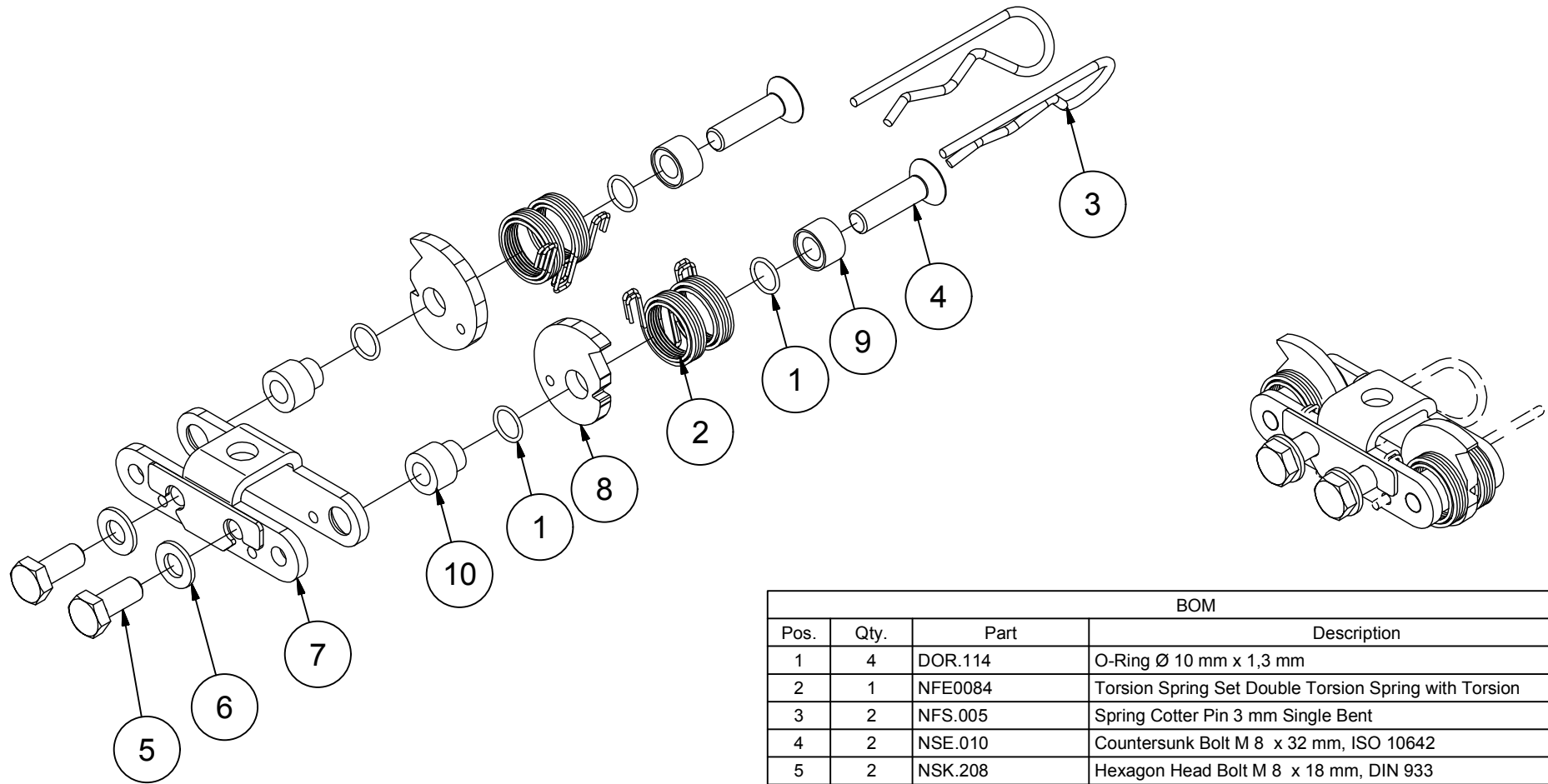
BOM			
Pos.	Qty.	Part	Description
1	1	DFD.116	Sealing Ring ECL/ ECV MH24-45 Lubricated under Vacuum
2	1	NIR.023	Inner Ring Ø 55 mm x Ø 60 mm x 35 mm
3	1	TR0.602	Rotor, Machined ECL, Inlet Size DN 100 / 125

GER0014

VOGELSANG



© Hugo Vogelsang Maschinenbau GmbH.



BOM			
Pos.	Qty.	Part	Description
1	4	DOR.114	O-Ring Ø 10 mm x 1,3 mm
2	1	NFE0084	Torsion Spring Set Double Torsion Spring with Torsion
3	2	NFS.005	Spring Cotter Pin 3 mm Single Bent
4	2	NSE.010	Countersunk Bolt M 8 x 32 mm, ISO 10642
5	2	NSK.208	Hexagon Head Bolt M 8 x 18 mm, DIN 933
6	2	NUS.003.E	Washer A 8,4 mm x 16 mm x 1,6 mm
7	1	TEA.012	Support Bracket 1.4301
8	2	TFL.566.N2	Eccentric for Adjuster 4,75 mm 1.4034
9	2	TRS.025.N1	Turned Part, Raw Part Ø 14,4 mm x 8,9 mm
10	2	TRS.026.N1	Turned Part, Raw Part Ø 14,4 mm x 15,1 mm

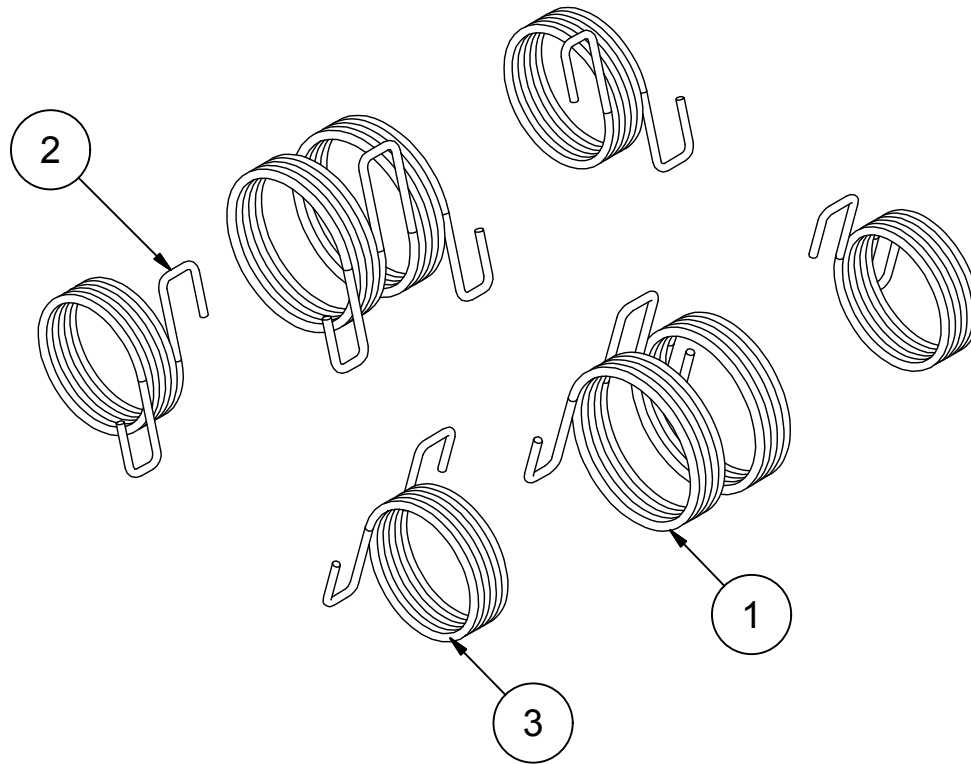
Eccentric Adjuster ECL/ECV
100%

C

TEV.005.N1

VOGELSANG





BOM			
Pos.	Qty.	Part	Description
1	2	NFE.042	Double Torsion Spring 1,2 mm x 21,5 mm
2	2	NFE.040	Torsion Spring 1,1 mm x 18,4 mm
3	2	NFE.041	Torsion Spring 1,1 mm x 18,4 mm

Torsion Spring Set Double
Torsion Spring with Torsion

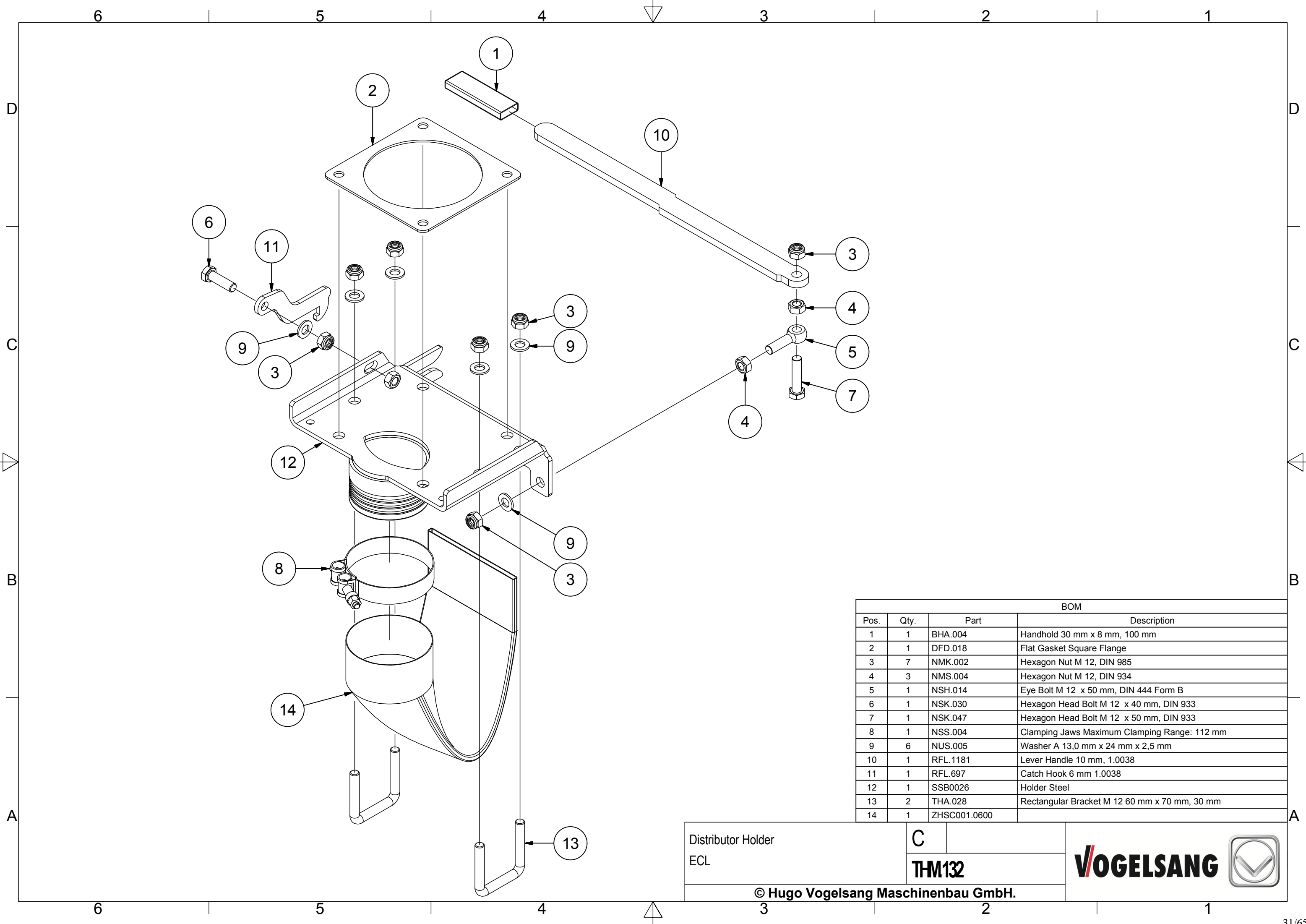
A

NFE0084

VOGELSANG

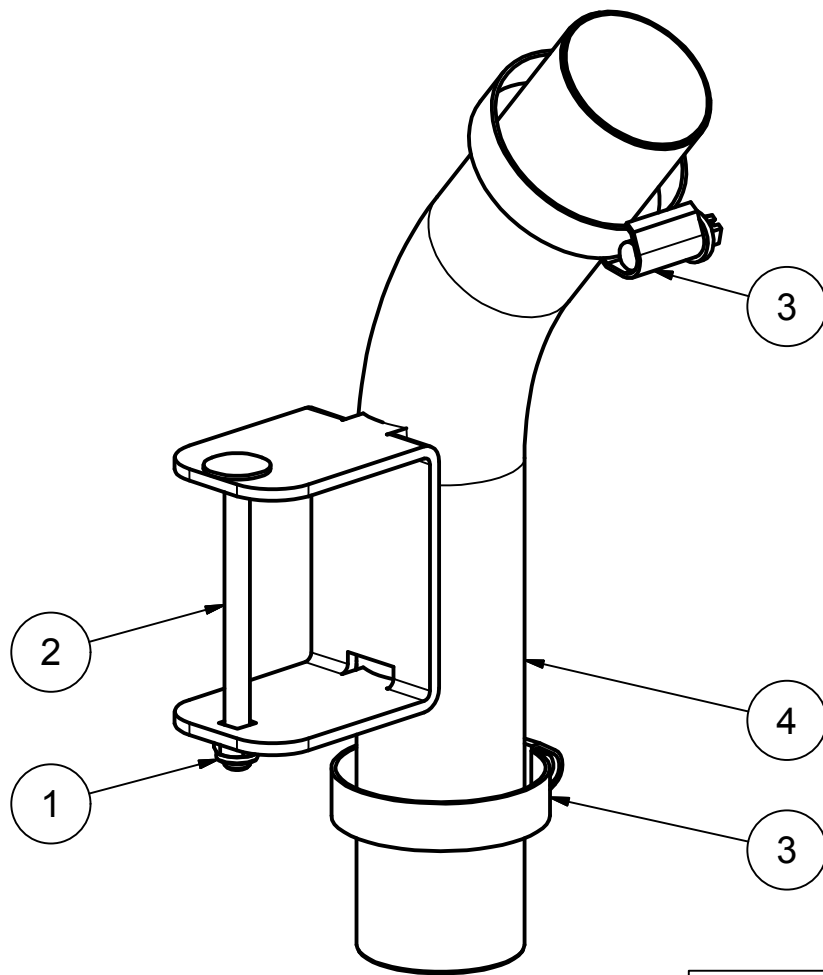


© Hugo Vogelsang Maschinenbau GmbH.



BOM			
Pos.	Qty.	Part	Description
1	1	BHA.004	Handhold 30 mm x 8 mm, 100 mm
2	1	DFD.018	Flat Gasket Square Flange
3	7	NMK.002	Hexagon Nut M 12, DIN 985
4	3	NMS.004	Hexagon Nut M 12, DIN 934
5	1	NSH.014	Eye Bolt M 12 x 50 mm, DIN 444 Form B
6	1	NSK.030	Hexagon Head Bolt M 12 x 40 mm, DIN 933
7	1	NSK.047	Hexagon Head Bolt M 12 x 50 mm, DIN 933
8	1	NSS.004	Clamping Jaws Maximum Clamping Range: 112 mm
9	6	NUS.005	Washer A 13,0 mm x 24 mm x 2,5 mm
10	1	RFL.1181	Lever Handle 10 mm, 1.0038
11	1	RFL.697	Catch Hook 6 mm 1.0038
12	1	SSB0026	Holder Steel
13	2	THA.028	Rectangular Bracket M 12 60 mm x 70 mm, 30 mm
14	1	ZHSC001.0600	

Distributor Holder ECL	C	
	THM132	
© Hugo Vogelsang Maschinenbau GmbH.		



BOM			
Pos.	Qty.	Part	Description
1	1	NMK.003.EE	Hexagon Nut M 6, DIN 985
2	1	NSC.034.E	Mushroom Head Bolt M 6 x 75 mm, DIN 603 A2 Thread
3	2	NSS.014	Worm Drive Hose Clip Maximum Clamping Range: 50 mm
4	1	TSE.148.TL	Hose Retainer, DropStop Pipe Type 1, Bent

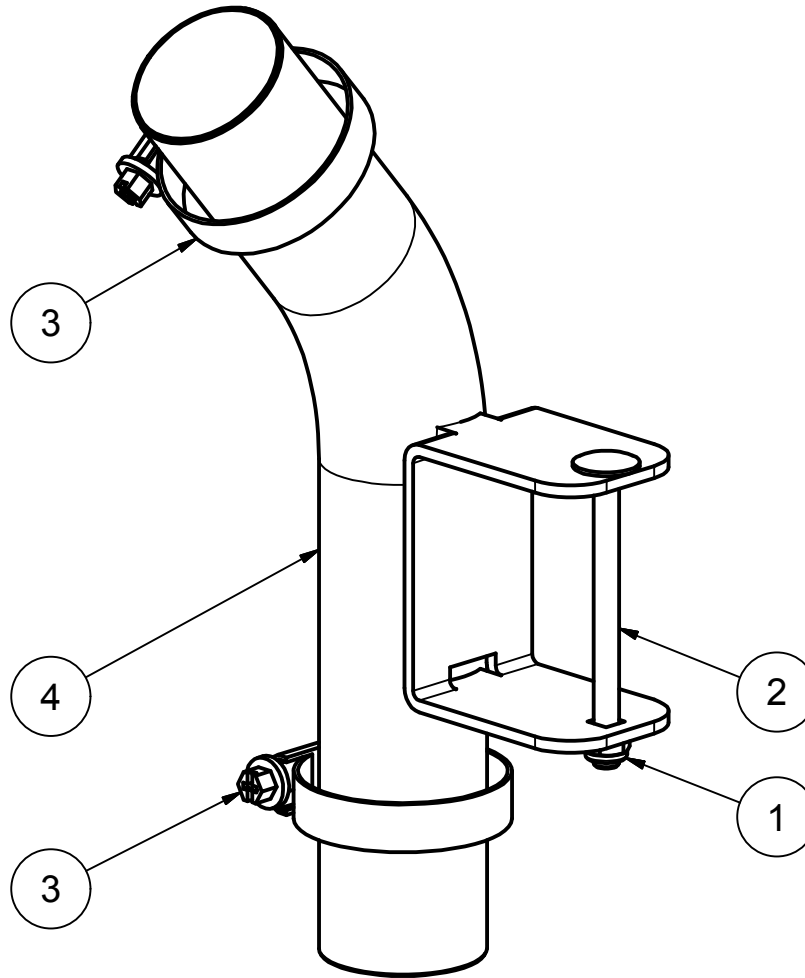
Hose Retainer,
DropStop Pipe
DN 40, Left

B

TSZ254.TL

VOGELSANG





BOM			
Pos.	Qty.	Part	Description
1	1	NMK.003.EE	Hexagon Nut M 6, DIN 985
2	1	NSC.034.E	Mushroom Head Bolt M 6 x 75 mm, DIN 603 A2 Thread
3	2	NSS.014	Worm Drive Hose Clip Maximum Clamping Range: 50 mm
4	1	TSE.148.TR	Hose Retainer, DropStop Pipe Type 1, Bent

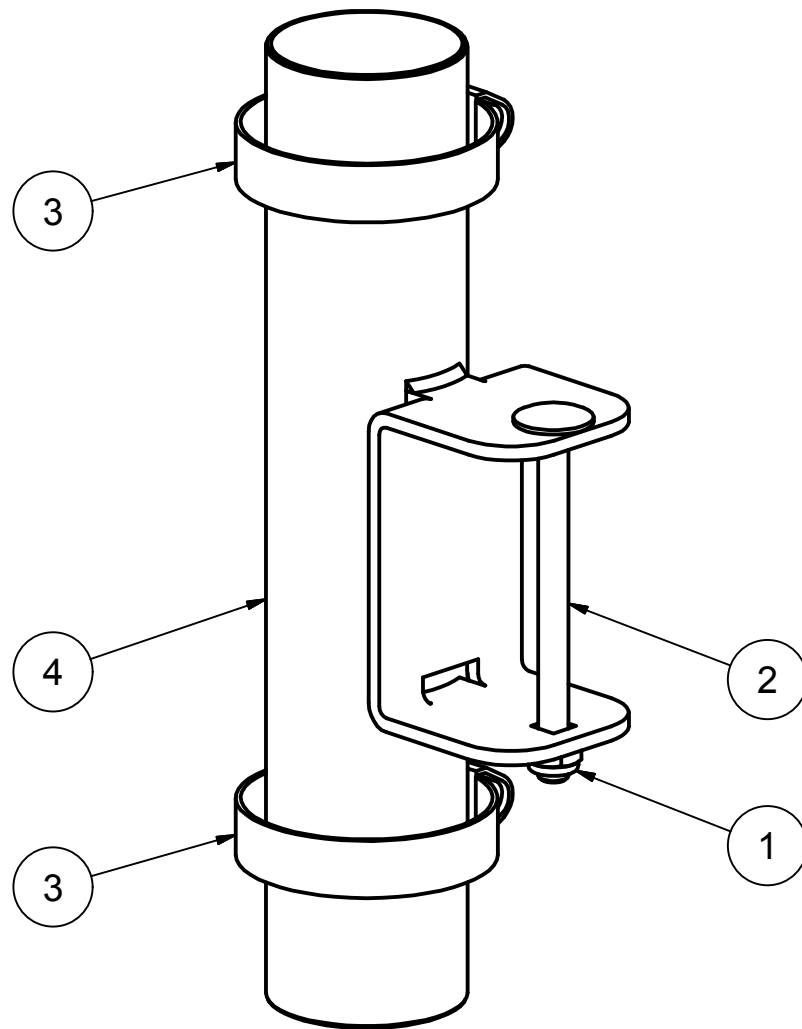
Hose Retainer,
DropStop Pipe
DN 40, Right

B

TSZ254.TR

VOGELSANG





BOM			
Pos.	Qty.	Part	Description
1	1	NMK.003.EE	Hexagon Nut M 6, DIN 985
2	1	NSC.034.E	Mushroom Head Bolt M 6 x 75 mm, DIN 603 A2 Thread
3	2	NSS.014	Worm Drive Hose Clip Maximum Clamping Range: 50 mm
4	1	TSE.147.T1	Hose Retainer, DropStop Pipe Type 2, Straight

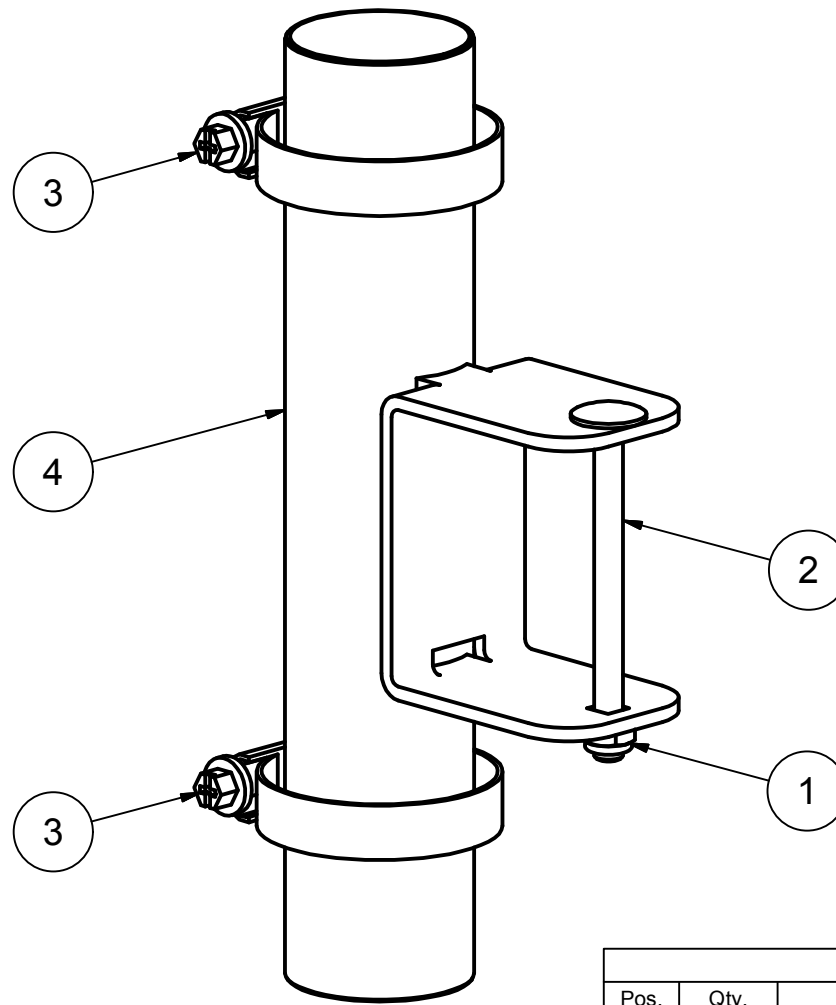
Hose Retainer,
DropStop Pipe
DN 40, On Both Sides

A

TSZ330

VOGELSANG





BOM			
Pos.	Qty.	Part	Description
1	1	NMK.003.EE	Hexagon Nut M 6, DIN 985
2	1	NSC.034.E	Mushroom Head Bolt M 6 x 75 mm, DIN 603 A2 Thread
3	2	NSS.014	Worm Drive Hose Clip Maximum Clamping Range: 50 mm
4	1	TSE.147	Hose Retainer, DropStop Pipe Type 1, Straight

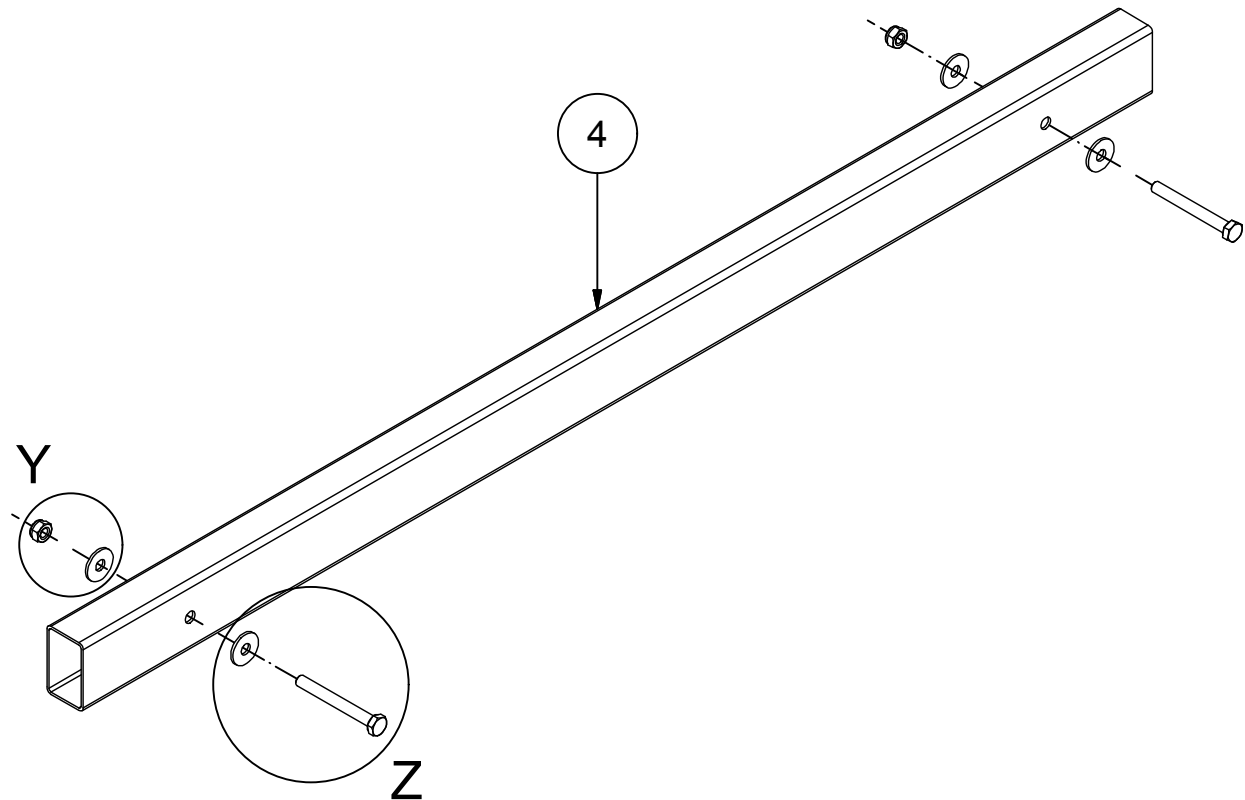
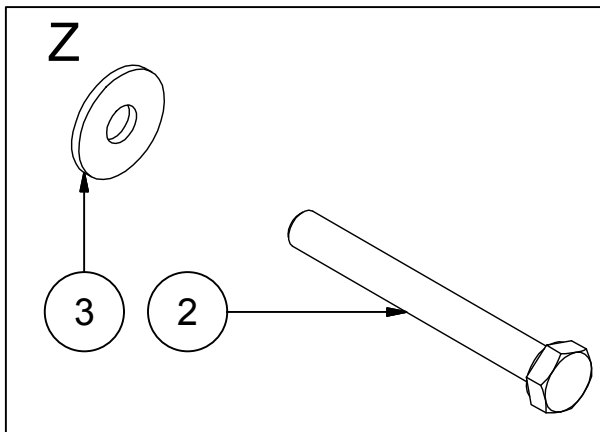
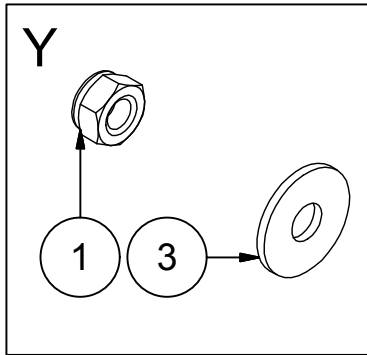
Hose Retainer,
DropStop Pipe
DN 40, On Both Sides

B

TSZ253

VOGELSANG





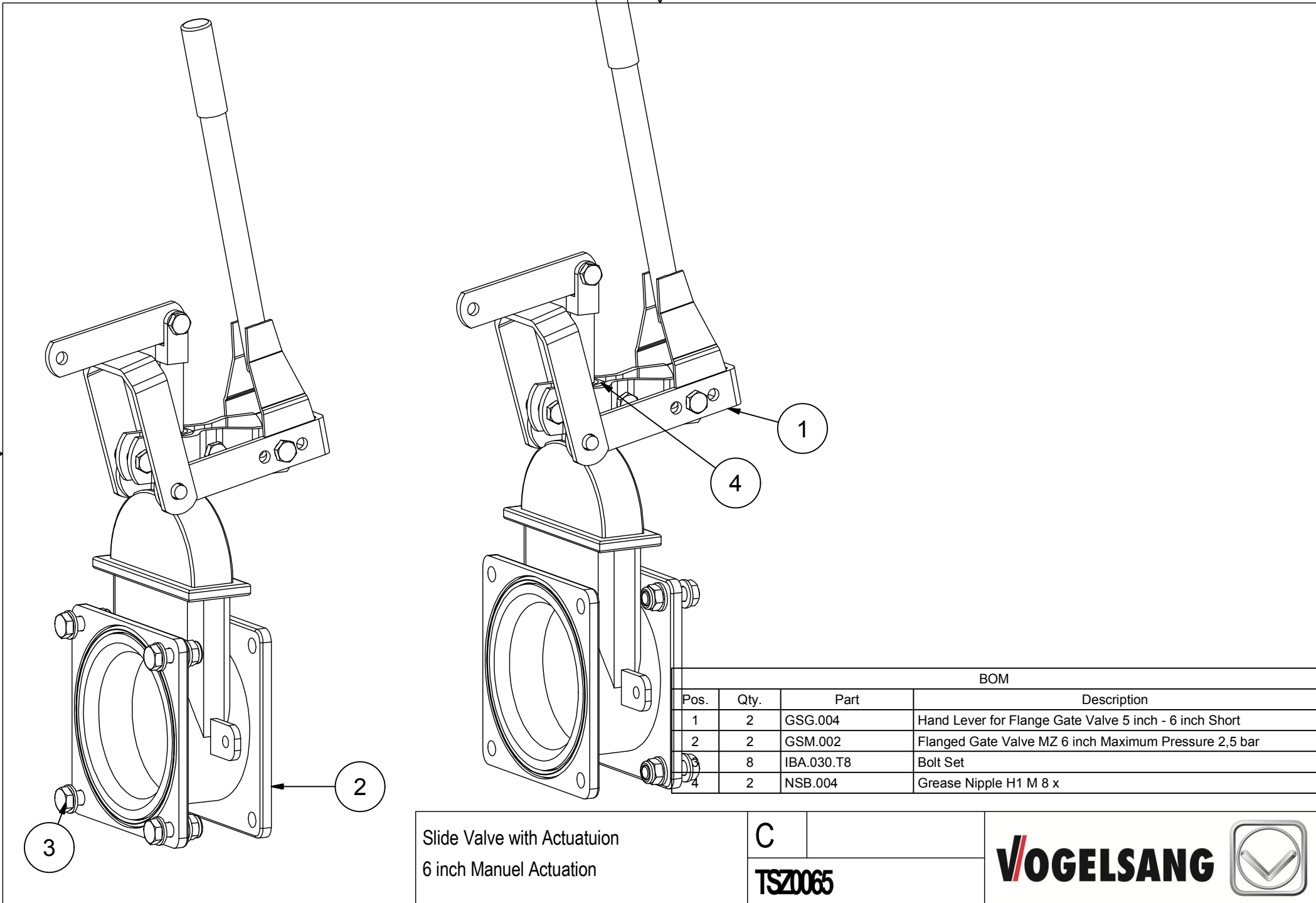
BOM			
Pos.	Qty.	Part	Description
1	2	NMK.004	Hexagon Nut M 8, DIN 985
2	2	NSK.061	Hexagon Head Bolt M 8 x 70 mm, DIN 931
3	4	NUS.018	Washer A 8,4 mm x 24 mm x 2,0 mm
4	1	ZHRV041.1000	

Assembly Kit
Connecting Element

B
TSM0273

VOGELSANG





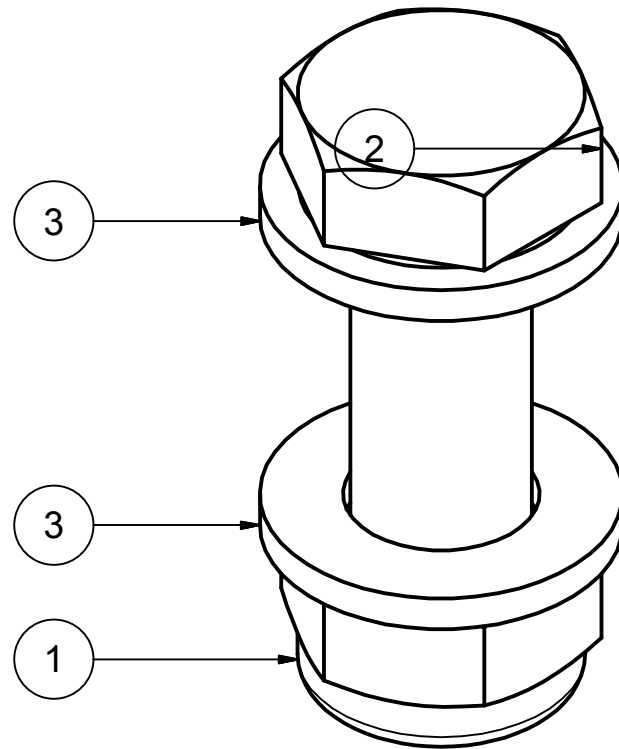
Slide Valve with Actuation
6 inch Manuel Actuation

C

TSZ0065

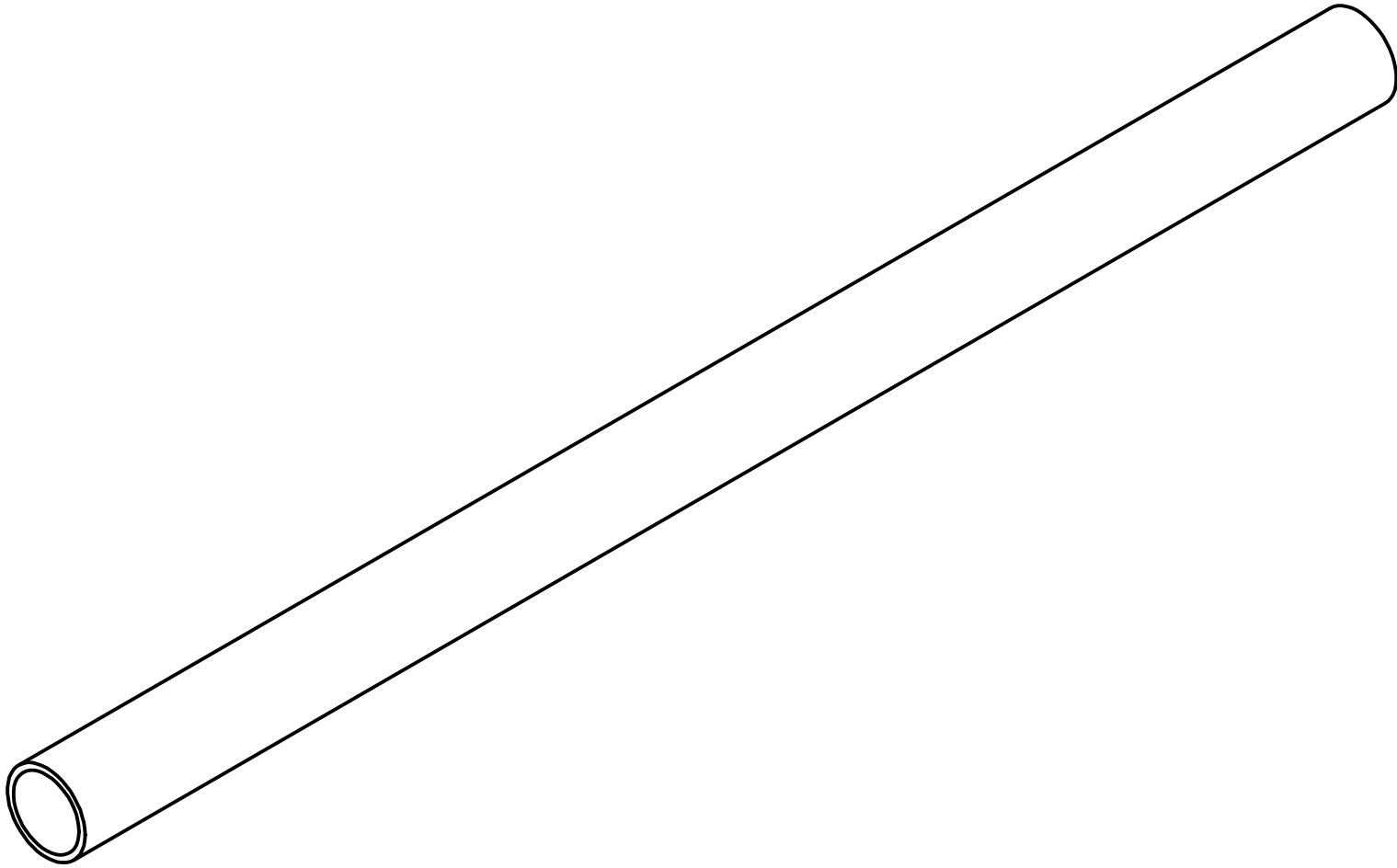
VOGELSANG





BOM			
Pos.	Qty.	Part	Description
1	1	NMK.002	Hexagon Nut M 12, DIN 985
2	1	NSK.030	Hexagon Head Bolt M 12 x 40 mm, DIN 933
3	2	NUS.005	Washer A 13,0 mm x 24 mm x 2,5 mm

Bolt Set	A	
	IBA030.T8	



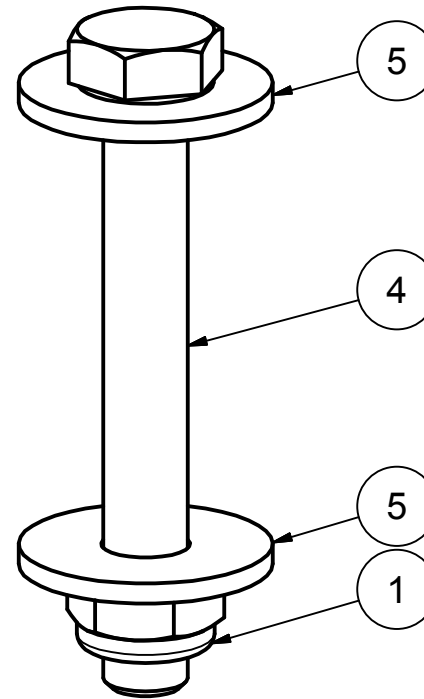
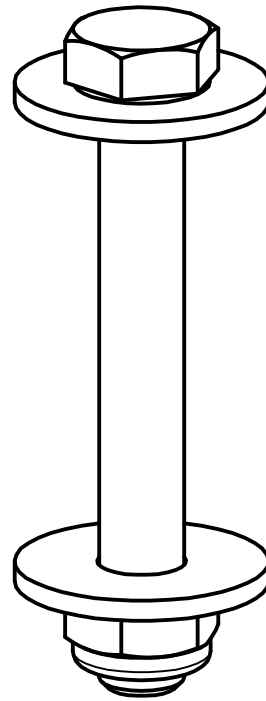
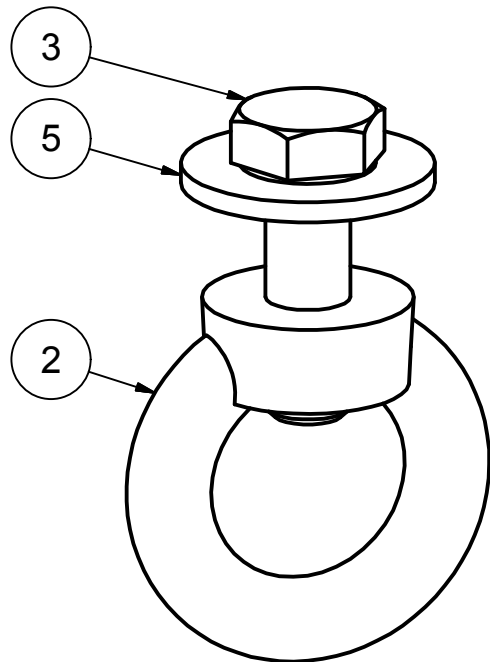
Hose Section Ø 40 mm x 3,7 mm,
800 mm PVC, Transparent

B

HSC.044

V/OGELSANG





BOM			
Pos.	Qty.	Part	Description
1	2	NMK.004	Hexagon Nut M 8, DIN 985
2	1	NMK.015	Ring Nut M 8, DIN 582
3	1	NSK.019	Hexagon Head Bolt M 8 x 25 mm, DIN 933
4	2	NSK.024	Hexagon Head Bolt M 8 x 60 mm, DIN 931
5	5	NUS.018	Washer A 8,4 mm x 24 mm x 2,0 mm

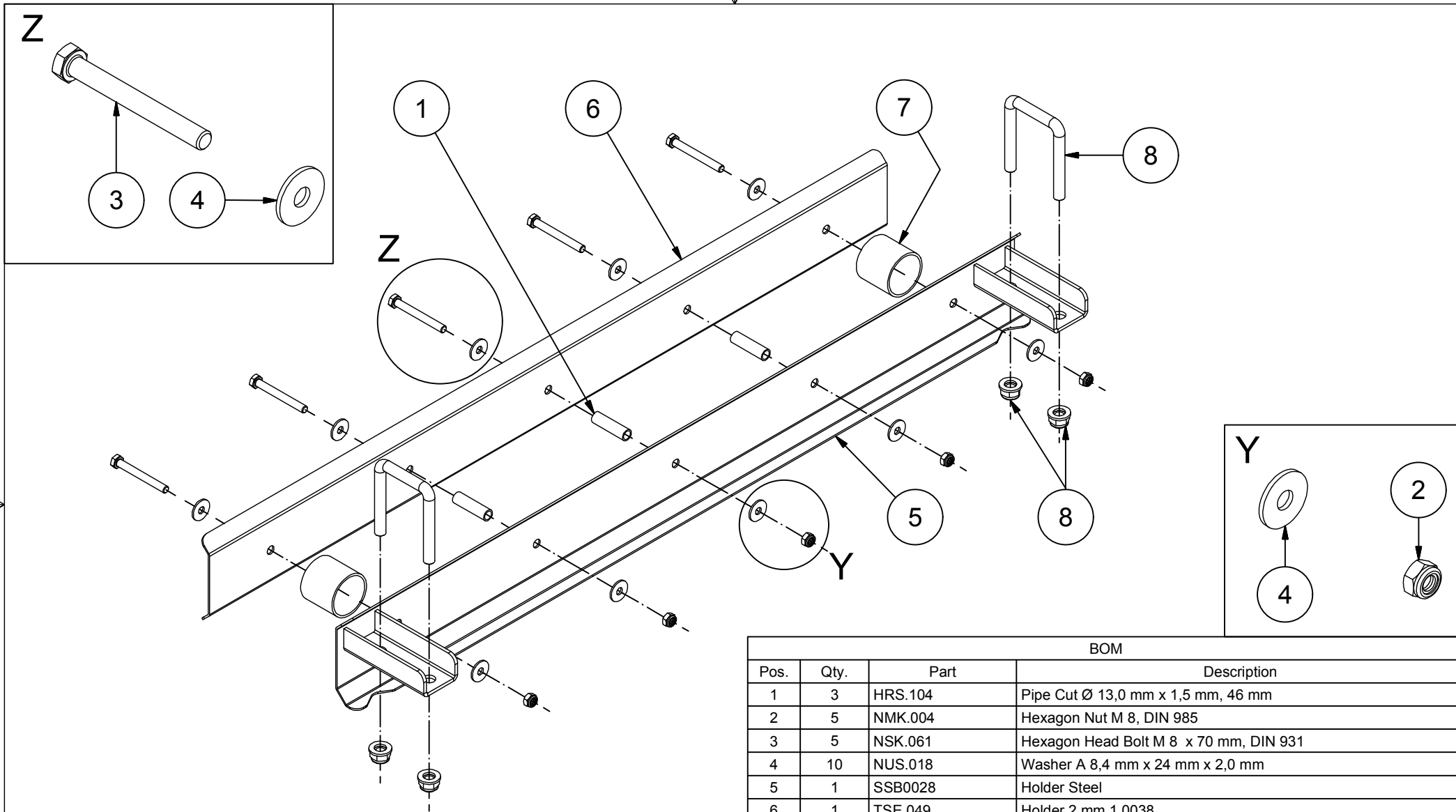
Assembly Kit
Mounting

B

TSM0089

VOGELSANG



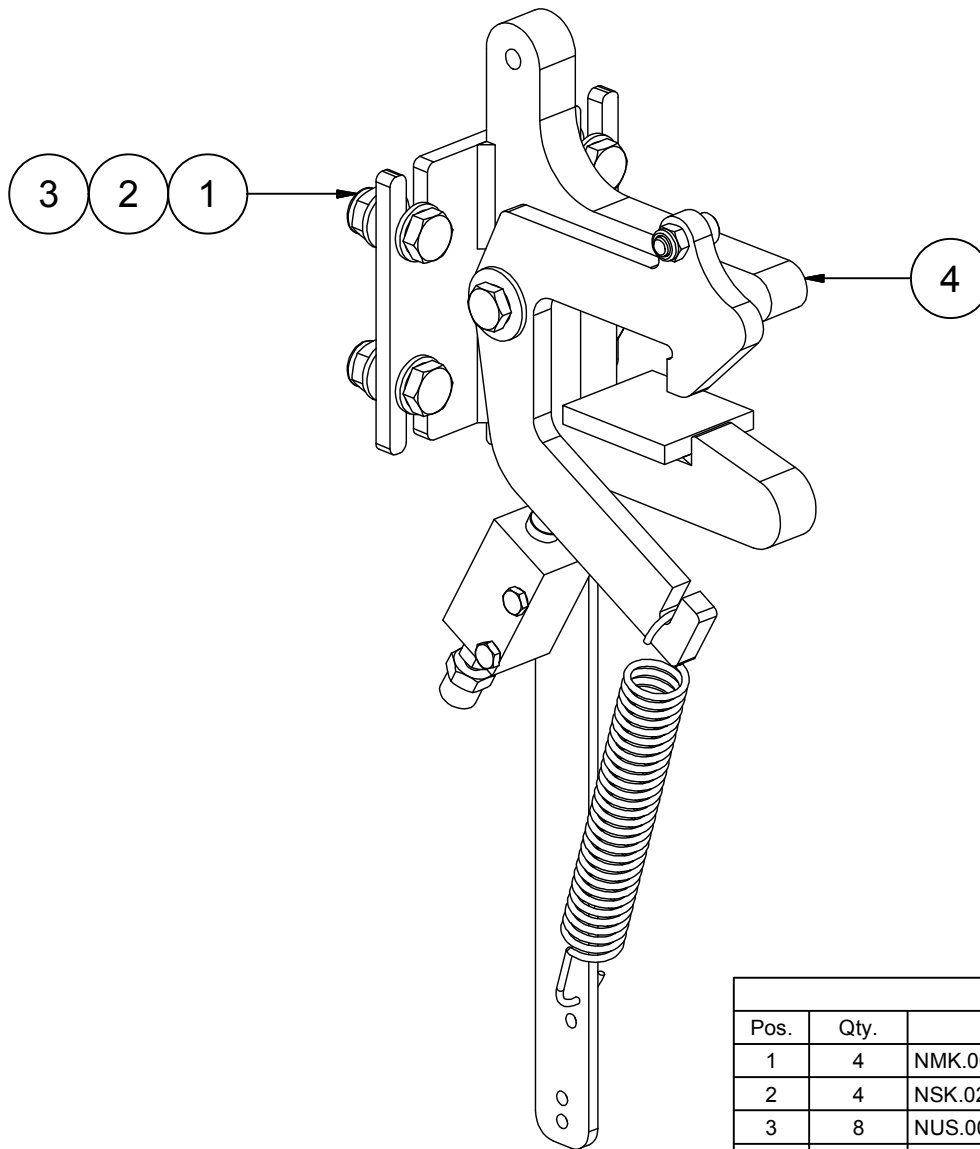


BOM			
Pos.	Qty.	Part	Description
1	3	HRS.104	Pipe Cut Ø 13,0 mm x 1,5 mm, 46 mm
2	5	NMK.004	Hexagon Nut M 8, DIN 985
3	5	NSK.061	Hexagon Head Bolt M 8 x 70 mm, DIN 931
4	10	NUS.018	Washer A 8,4 mm x 24 mm x 2,0 mm
5	1	SSB0028	Holder Steel
6	1	TSE.049	Holder 2 mm 1.0038
7	2	TSE0011	Pipe Cut Ø 51,0 mm x 2,6 mm, 46 mm
8	1	TSM.145	Bolt Set

Hose Guide
Canted, DN 40

C
TSE027





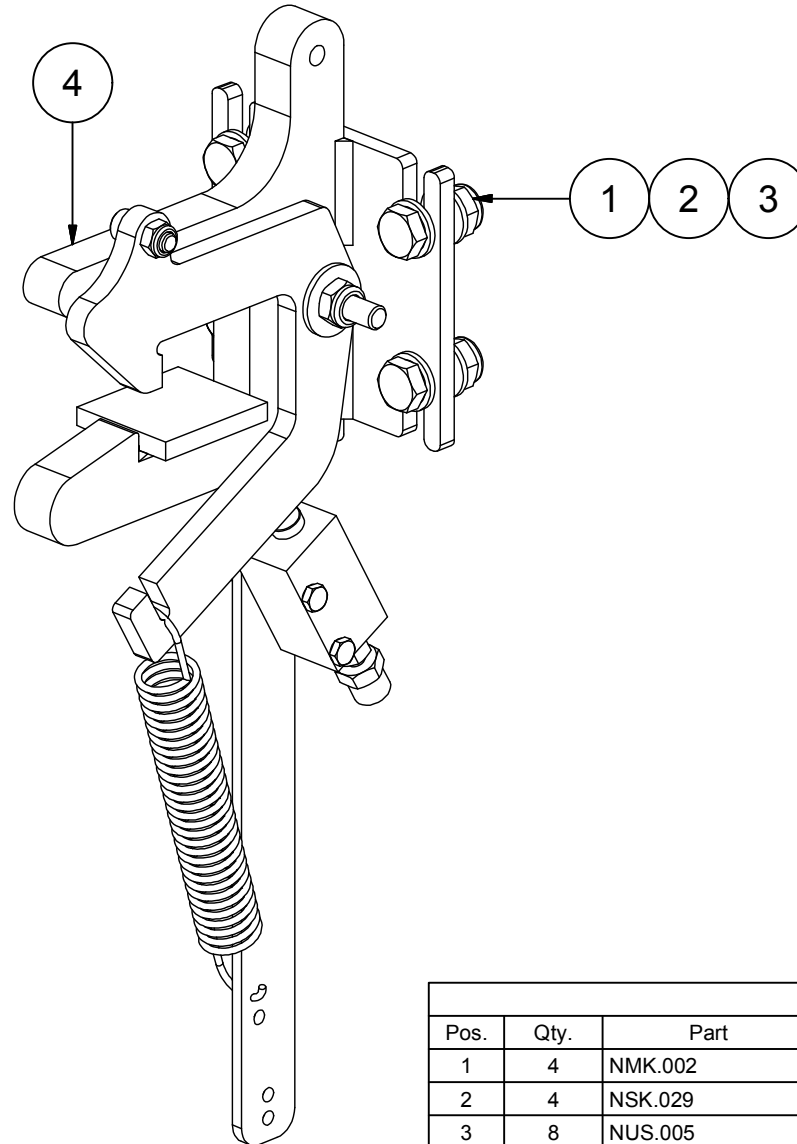
BOM			
Pos.	Qty.	Part	Description
1	4	NMK.002	Hexagon Nut M 12, DIN 985
2	4	NSK.029	Hexagon Head Bolt M 12 x 35 mm, DIN 933
3	8	NUS.005	Washer A 13,0 mm x 24 mm x 2,5 mm
4	1	TAV.005.T1.TL	Holding and Security Device Boom Compax

Holding and Security Device
 Boom Compax Left, Hydraulic 60

B
 TSM0036

VOGELSANG





BOM			
Pos.	Qty.	Part	Description
1	4	NMK.002	Hexagon Nut M 12, DIN 985
2	4	NSK.029	Hexagon Head Bolt M 12 x 35 mm, DIN 933
3	8	NUS.005	Washer A 13,0 mm x 24 mm x 2,5 mm
4	1	TAV.005.T1.TR	Holding and Security Device Boom Compax

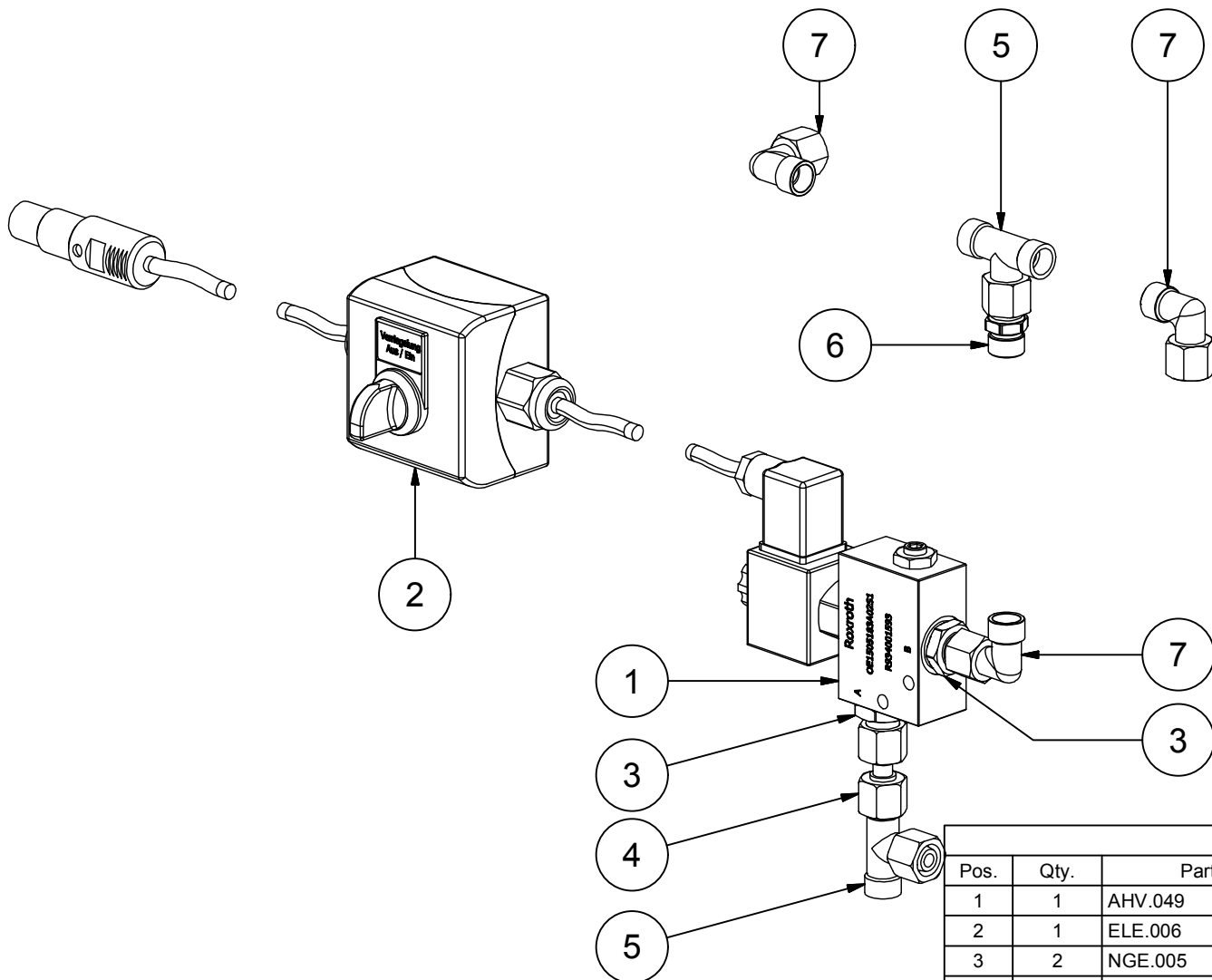
Holding and Security
Device
Boom Compax Right, Hydraulic

B

TSM0074

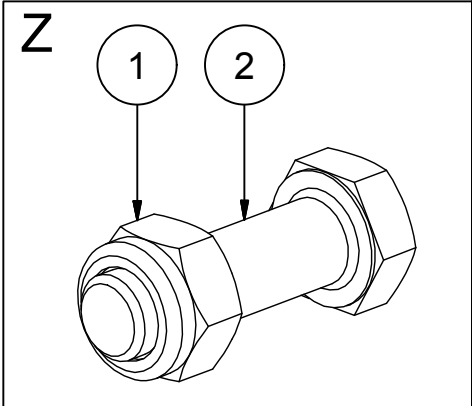
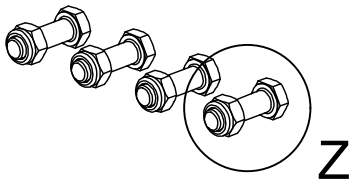
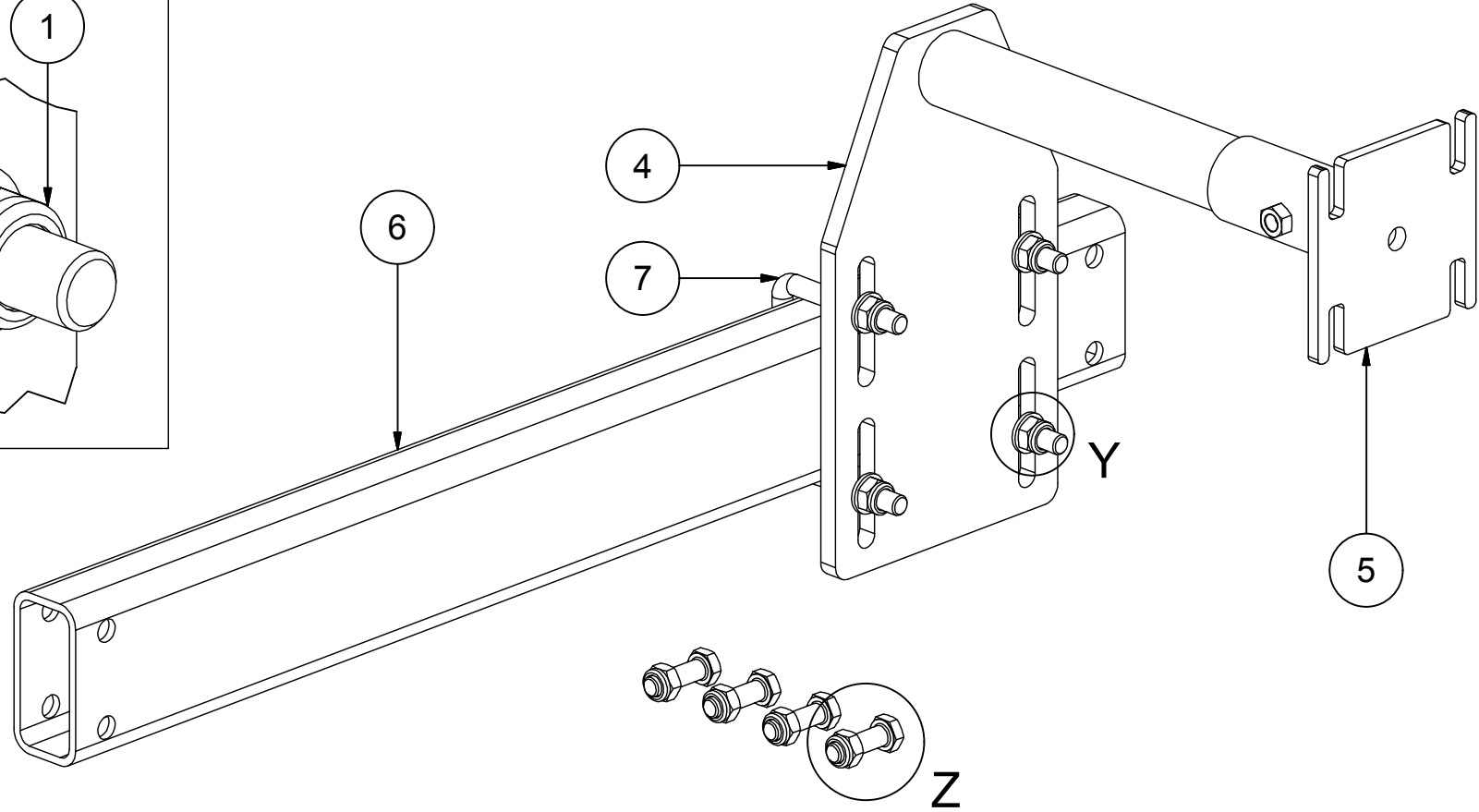
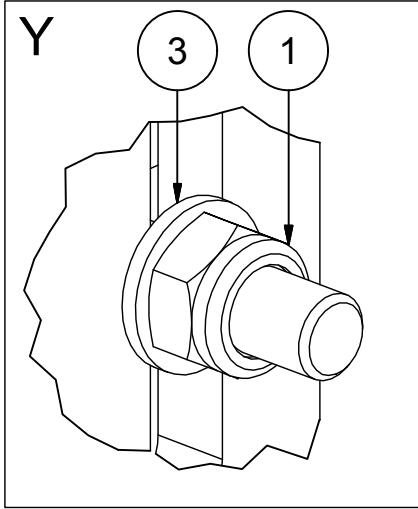
VOGELSANG





BOM			
Pos.	Qty.	Part	Description
1	1	AHV.049	2/2-Way Valve G 3/8 inch, 35 l/min
2	1	ELE.006	Tactile Switch Spring Reset
3	2	NGE.005	Screw-In Fitting Straight 10 L - 3/8 inch
4	1	NGE.008	Connection Fitting Straight
5	2	NGE.036	Connection Fitting T-Shaped Coupling
6	1	NGE.043	Connection Fitting Straight
7	3	NWE.003	Connection Fitting Angle

Assembly Kit Release	B	
	TSZ0026	



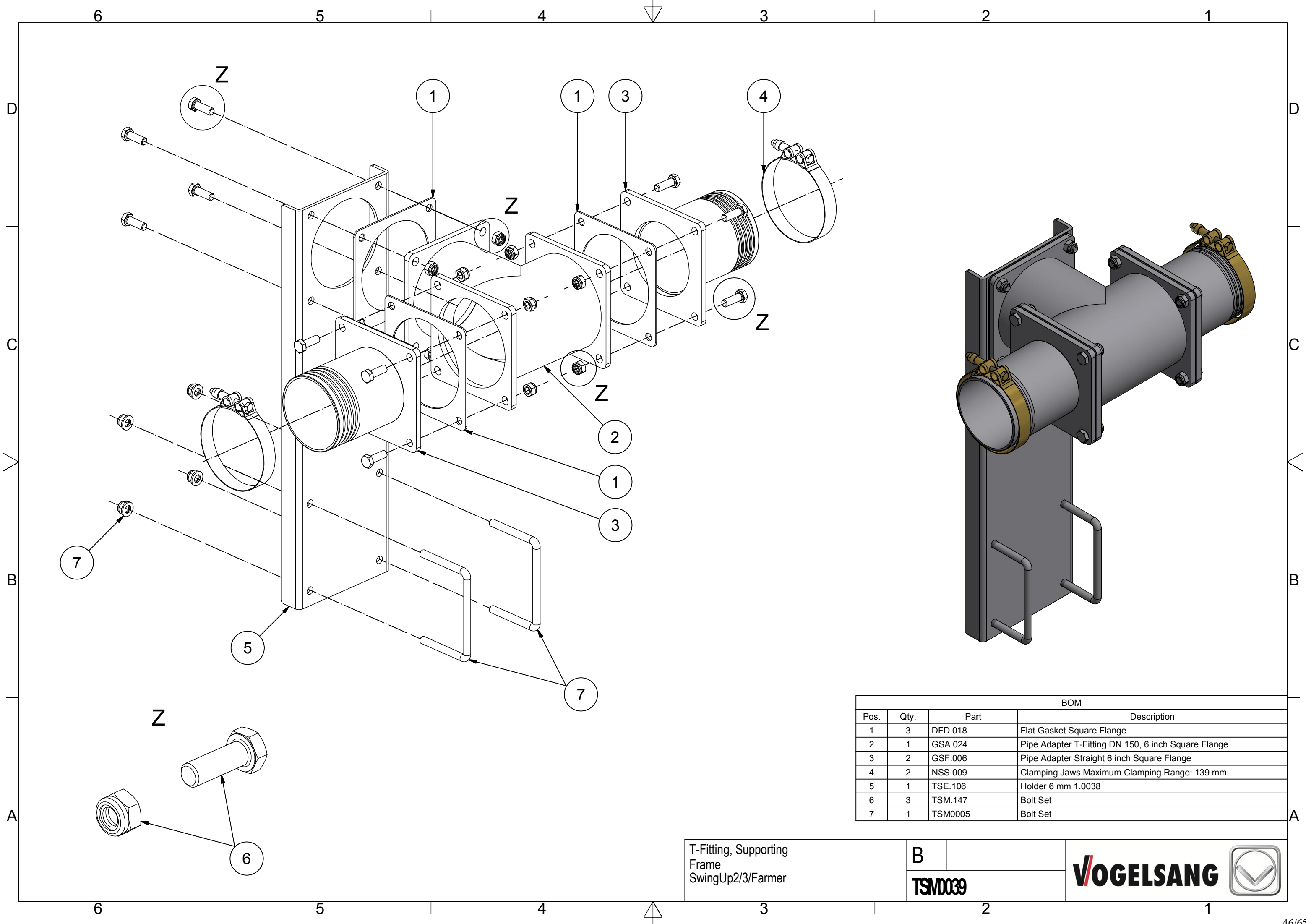
BOM			
Pos.	Qty.	Part	Description
1	8	NMK.002	Hexagon Nut M 12, DIN 985
2	4	NSK.030	Hexagon Head Bolt M 12 x 40 mm, DIN 933
3	4	NUS.005	Washer A 13,0 mm x 24 mm x 2,5 mm
4	1	SAN04.368	Receptacle Steel
5	1	SAN04.369	Receptacle Steel
6	1	SAN04.371	Holder 850 mm
7	2	THA.002	Rectangular Bracket M 12 100 mm x 90 mm, 30 mm

Assembly Kit
Holder

C

TSM0041



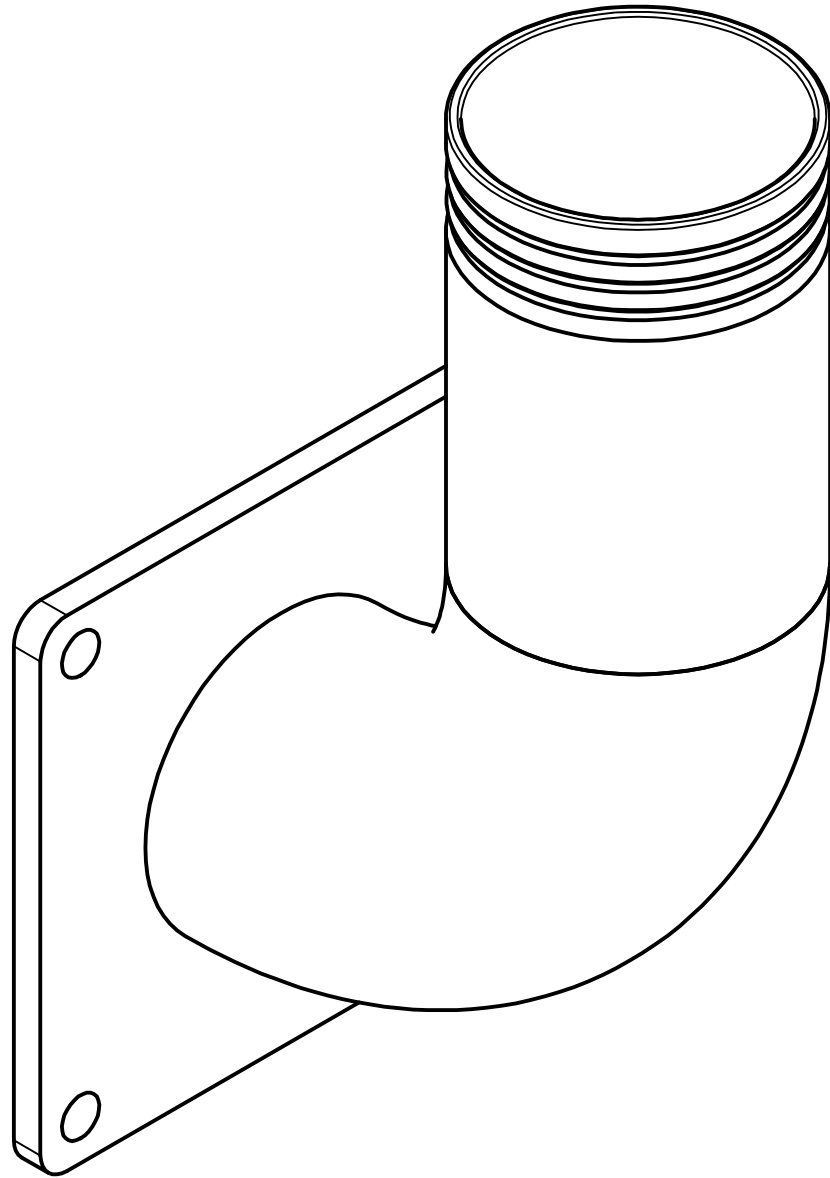


BOM			
Pos.	Qty.	Part	Description
1	3	DFD.018	Flat Gasket Square Flange
2	1	GSA.024	Pipe Adapter T-Fitting DN 150, 6 inch Square Flange
3	2	GSF.006	Pipe Adapter Straight 6 inch Square Flange
4	2	NSS.009	Clamping Jaws Maximum Clamping Range: 139 mm
5	1	TSE.106	Holder 6 mm 1.0038
6	3	TSM.147	Bolt Set
7	1	TSM0005	Bolt Set

T-Fitting, Supporting Frame SwingUp2/3/Farmer

B
TSM0039

VOGELSANG



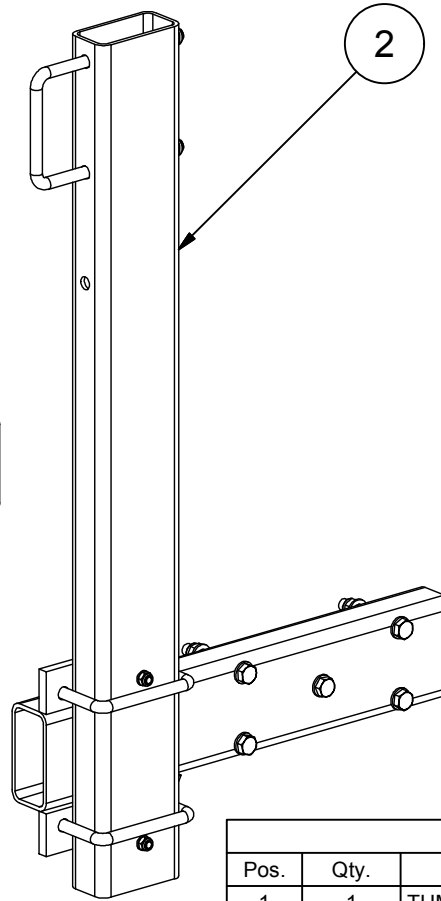
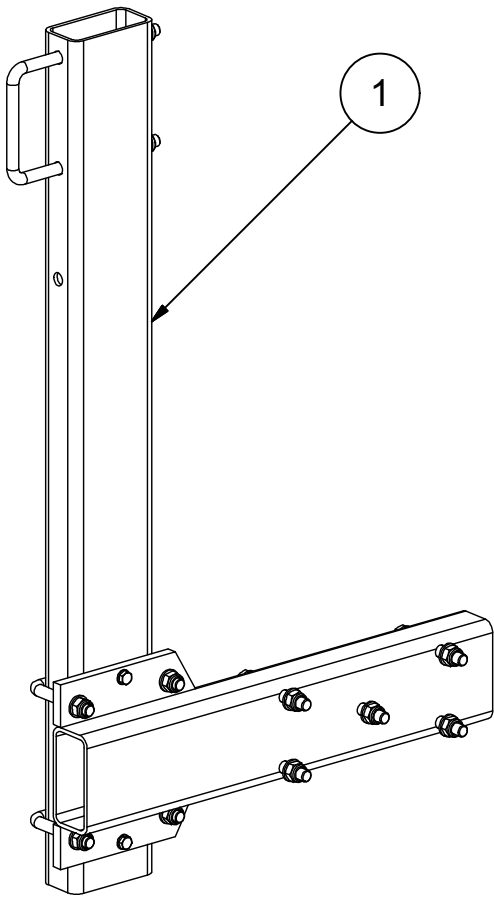
Pipe Adapter 90°
6 inch Square Flange

B

GSA014

VOGELSANG





BOM			
Pos.	Qty.	Part	Description
1	1	THM.100.T2.TL	Bracket, Supporting Frame SwingUp2/ 3/ Farmer, Left
2	1	THM.100.T2.TR	Bracket, Supporting Frame SwingUp2/ 3/ Farmer, Right

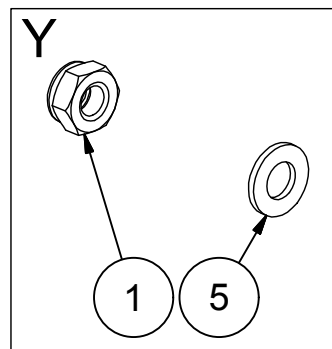
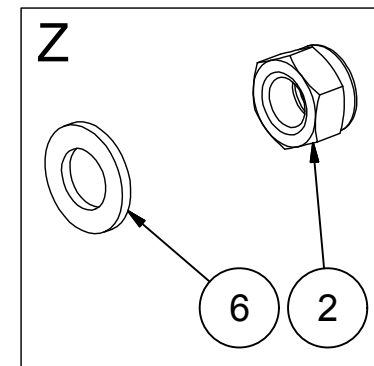
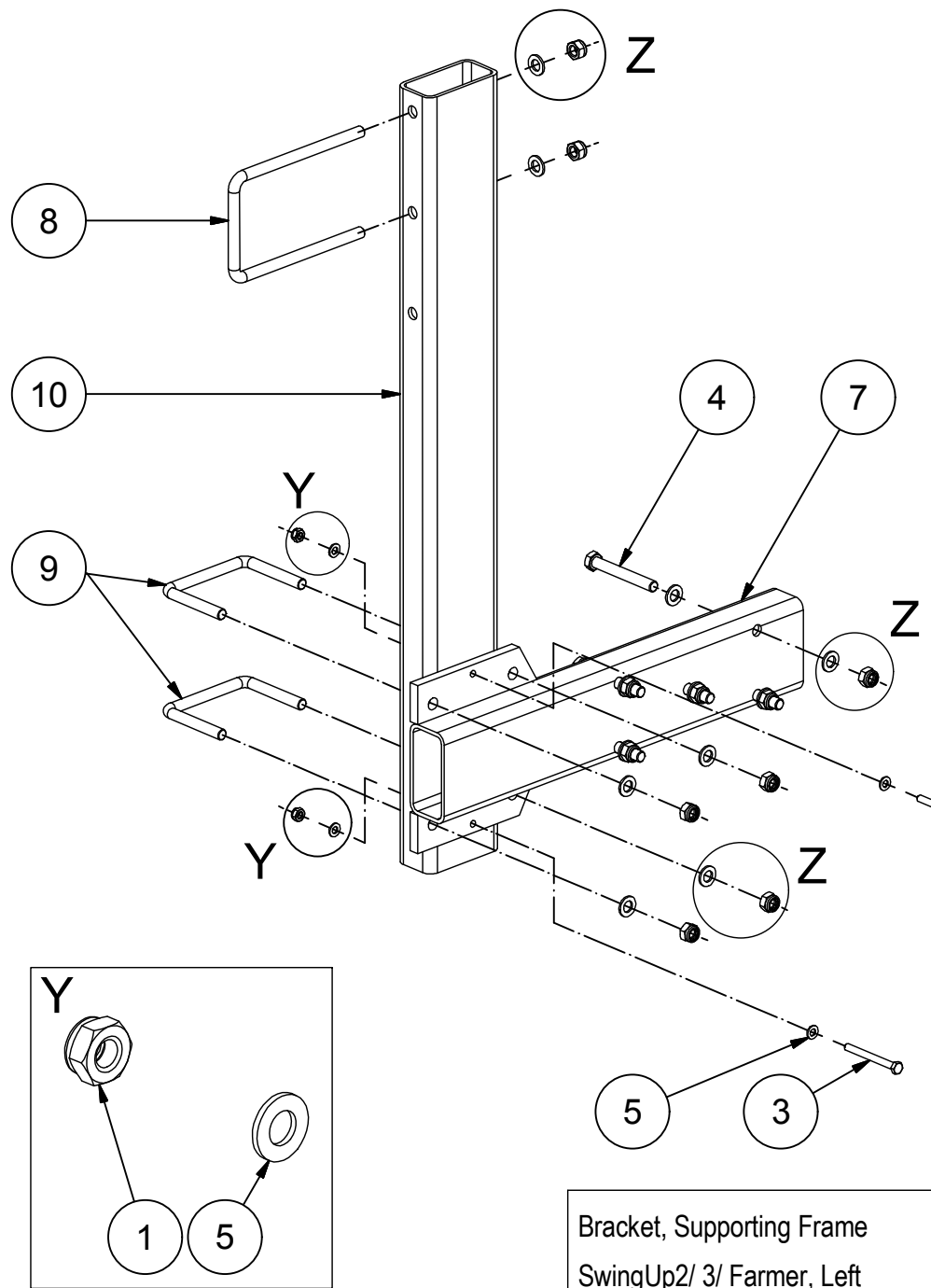
Bracket, Supporting Frame
SwingUp2/ 3/ Farmer, Complete

B

THM.100.T2

VOGELSANG





BOM			
Pos.	Qty.	Part	Description
1	2	NMK.001	Hexagon Nut M 10, DIN 985
2	11	NMK.007	Hexagon Nut M 16, DIN 985
3	2	NSK.012	Hexagon Head Bolt M 10 x 100 mm, DIN 931
4	5	NSK.066	Hexagon Head Bolt M 16 x 120 mm, DIN 931
5	4	NUS.004	Washer A 10,5 mm x 20 mm x 2,0 mm
6	16	NUS.007	Washer A 17,0 mm x 30 mm x 3,0 mm
7	1	SAN04.372	Holder Steel
8	1	THA.022	Rectangular Bracket M 16 140 mm x 240 mm, 40 mm
9	2	THA.039	Rectangular Bracket M 16 140 mm x 110 mm, 30 mm
10	1	TSE.216	Holder 6 mm 1.0038

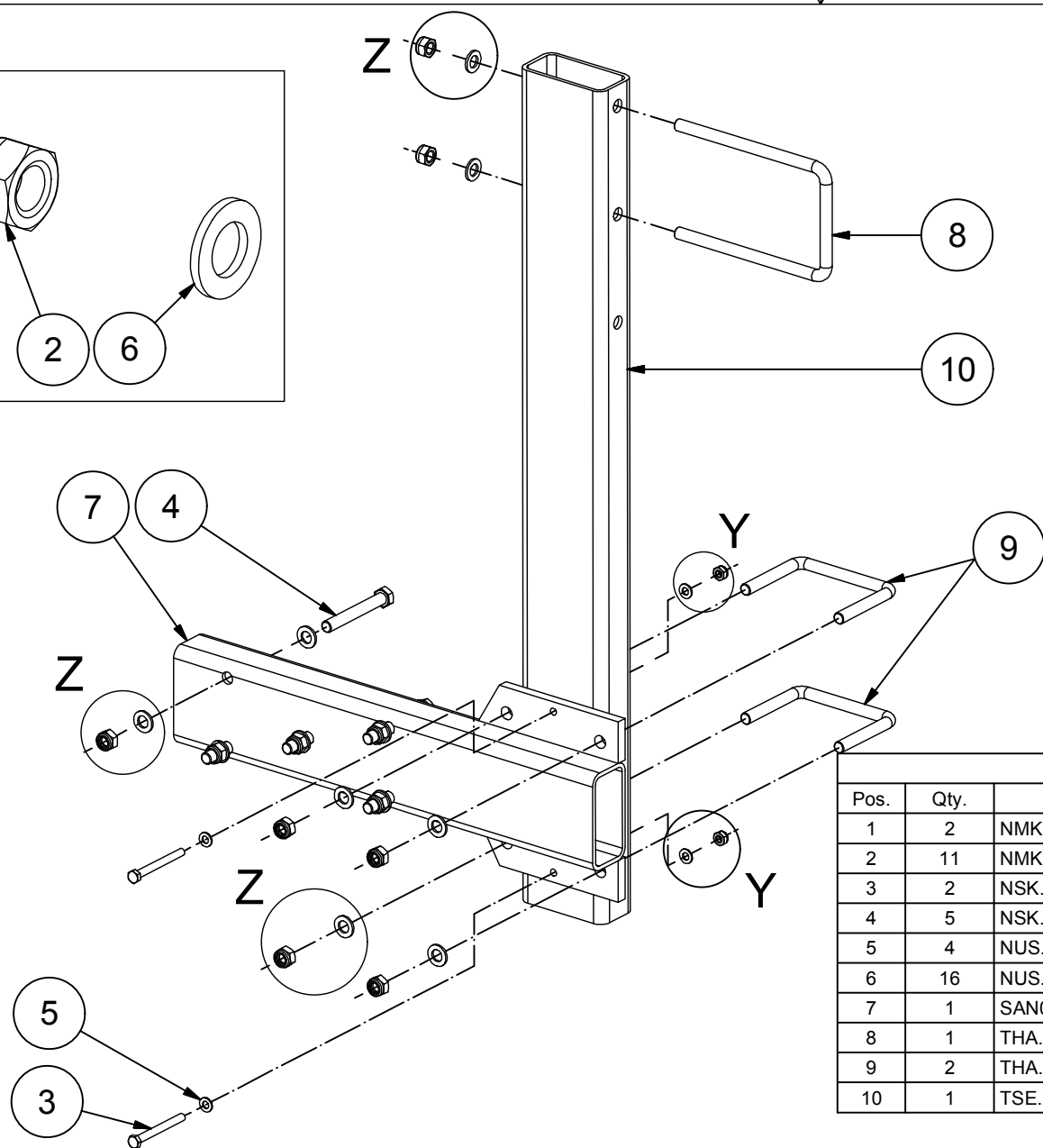
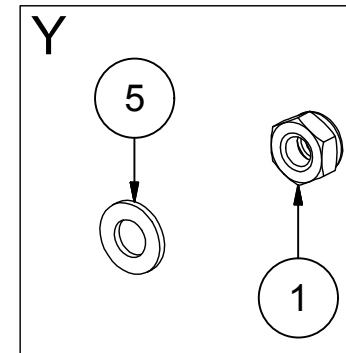
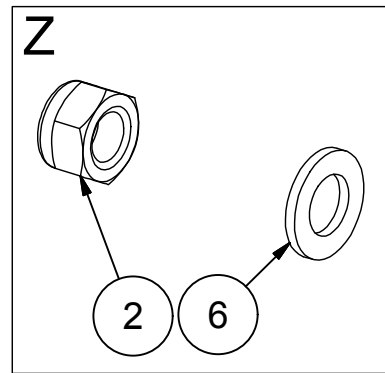
Bracket, Supporting Frame
SwingUp2/ 3/ Farmer, Left

B

THM100.T2.TL

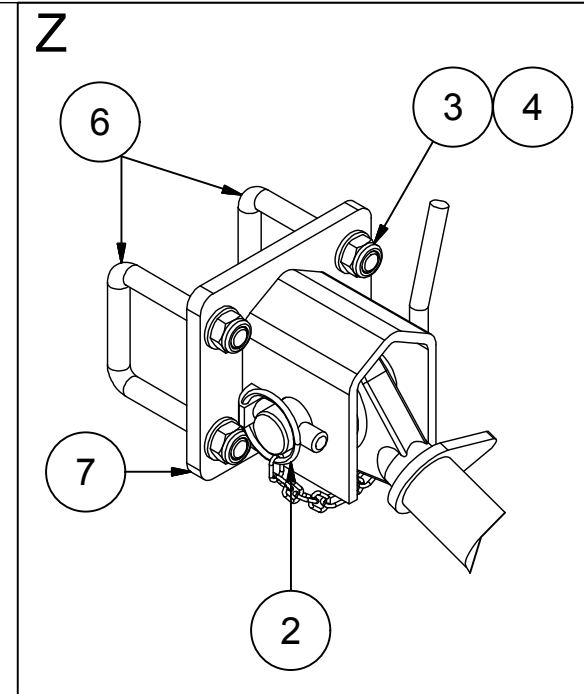
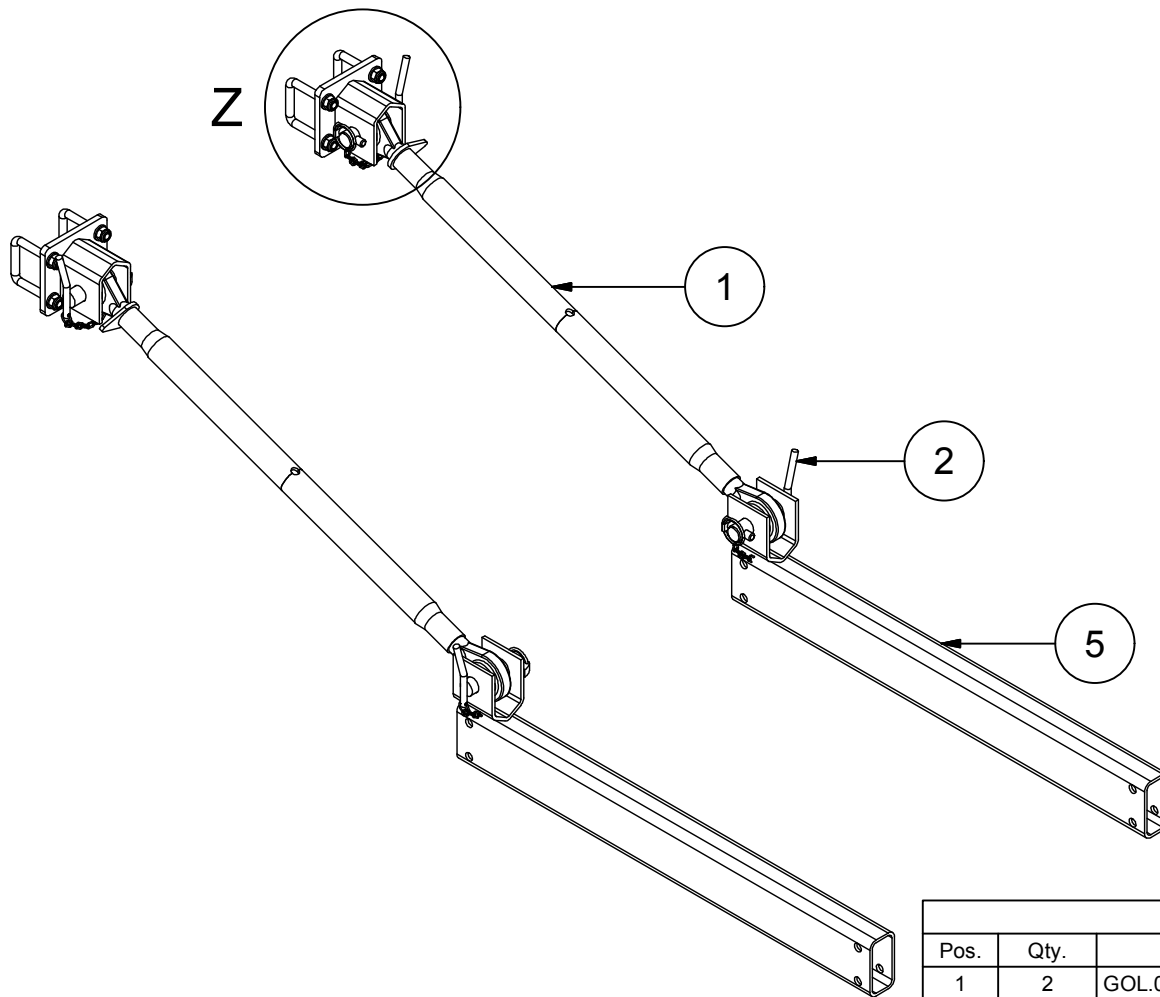
VOGELSANG





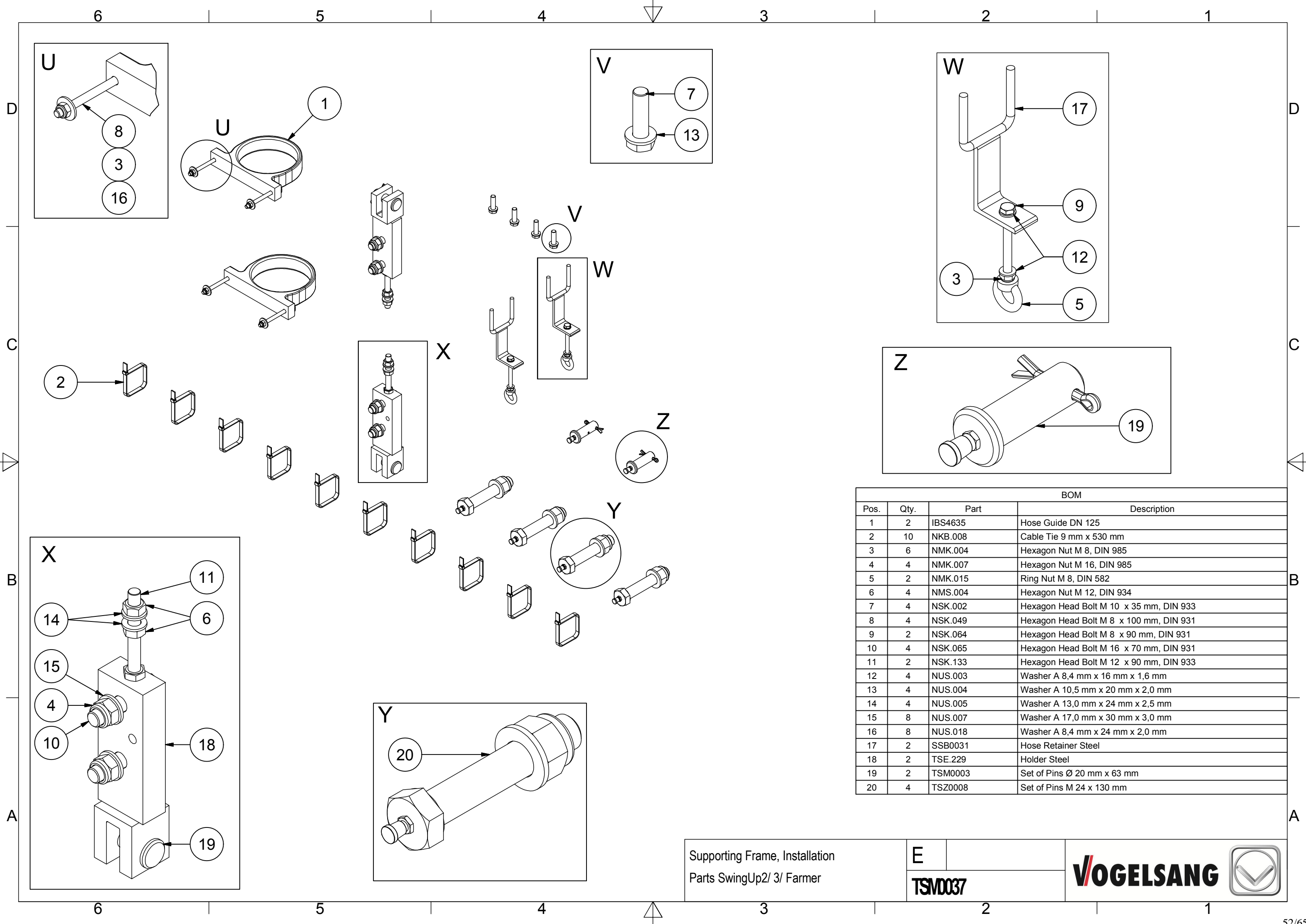
BOM			
Pos.	Qty.	Part	Description
1	2	NMK.001	Hexagon Nut M 10, DIN 985
2	11	NMK.007	Hexagon Nut M 16, DIN 985
3	2	NSK.012	Hexagon Head Bolt M 10 x 100 mm, DIN 931
4	5	NSK.066	Hexagon Head Bolt M 16 x 120 mm, DIN 931
5	4	NUS.004	Washer A 10,5 mm x 20 mm x 2,0 mm
6	16	NUS.007	Washer A 17,0 mm x 30 mm x 3,0 mm
7	1	SAN04.372	Holder Steel
8	1	THA.022	Rectangular Bracket M 16 140 mm x 240 mm, 40 mm
9	2	THA.039	Rectangular Bracket M 16 140 mm x 110 mm, 30 mm
10	1	TSE.216	Holder 6 mm 1.0038

Bracket, Supporting Frame SwingUp2/ 3/ Farmer, Right	B	
	THM100.T2TR	



BOM			
Pos.	Qty.	Part	Description
1	2	GOL.002	Mechanical Top Link Category 2
2	4	GRS.049	Safety Bolt Ø 25 mm x 93 mm
3	8	NMK.002	Hexagon Nut M 12, DIN 985
4	8	NUS.005	Washer A 13,0 mm x 24 mm x 2,5 mm
5	2	SAN04.370	Top Link Seat Category 2, Barrel
6	4	THA.032	Rectangular Bracket M 12 60 mm x 85 mm, 30 mm
7	2	TSE.224	Top Link Seat Category 2, Supporting Frame

Assembly Kit Supporting Frame - Tank	B	
	TSM0042	

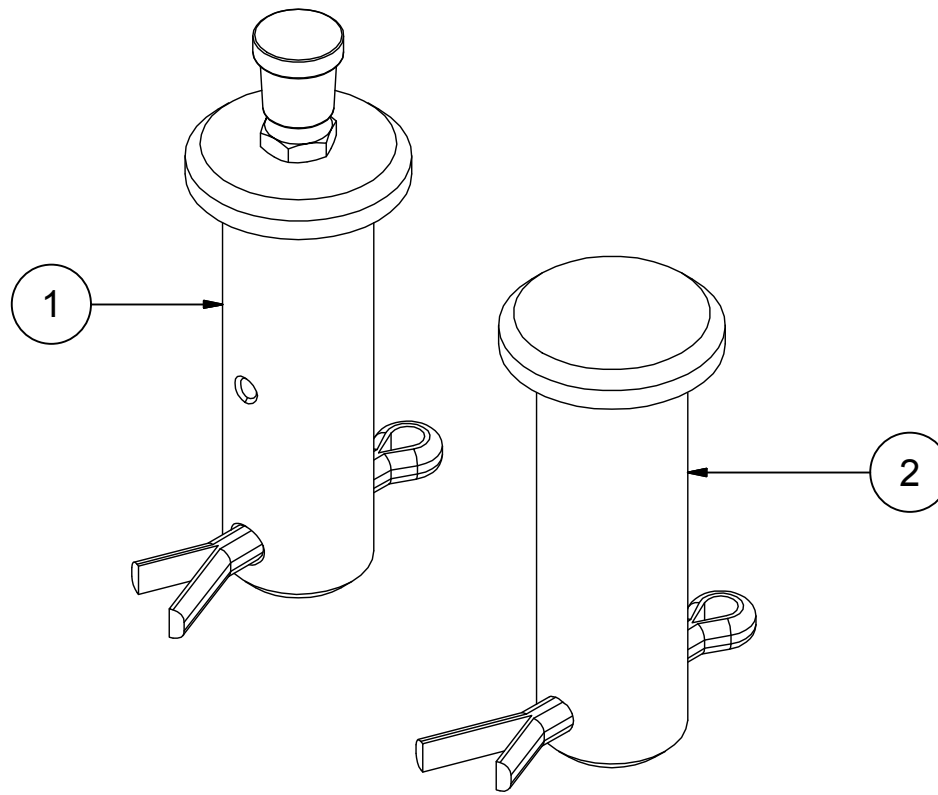


BOM			
Pos.	Qty.	Part	Description
1	2	IBS4635	Hose Guide DN 125
2	10	NKB.008	Cable Tie 9 mm x 530 mm
3	6	NMK.004	Hexagon Nut M 8, DIN 985
4	4	NMK.007	Hexagon Nut M 16, DIN 985
5	2	NMK.015	Ring Nut M 8, DIN 582
6	4	NMS.004	Hexagon Nut M 12, DIN 934
7	4	NSK.002	Hexagon Head Bolt M 10 x 35 mm, DIN 933
8	4	NSK.049	Hexagon Head Bolt M 8 x 100 mm, DIN 931
9	2	NSK.064	Hexagon Head Bolt M 8 x 90 mm, DIN 931
10	4	NSK.065	Hexagon Head Bolt M 16 x 70 mm, DIN 931
11	2	NSK.133	Hexagon Head Bolt M 12 x 90 mm, DIN 933
12	4	NUS.003	Washer A 8,4 mm x 16 mm x 1,6 mm
13	4	NUS.004	Washer A 10,5 mm x 20 mm x 2,0 mm
14	4	NUS.005	Washer A 13,0 mm x 24 mm x 2,5 mm
15	8	NUS.007	Washer A 17,0 mm x 30 mm x 3,0 mm
16	8	NUS.018	Washer A 8,4 mm x 24 mm x 2,0 mm
17	2	SSB0031	Hose Retainer Steel
18	2	TSE.229	Holder Steel
19	2	TSM0003	Set of Pins Ø 20 mm x 63 mm
20	4	TSZ0008	Set of Pins M 24 x 130 mm

Supporting Frame, Installation
Parts SwingUp2/ 3/ Farmer

E
TSM0037





BOM			
Pos.	Qty.	Part	Description
1	1	TSZ0001	Set of Pins \varnothing 20 mm x 63 mm
2	1	TSZ0014	Set of Pins \varnothing 20 mm x 63 mm

Set of Pins
 \varnothing 20 mm x 63 mm

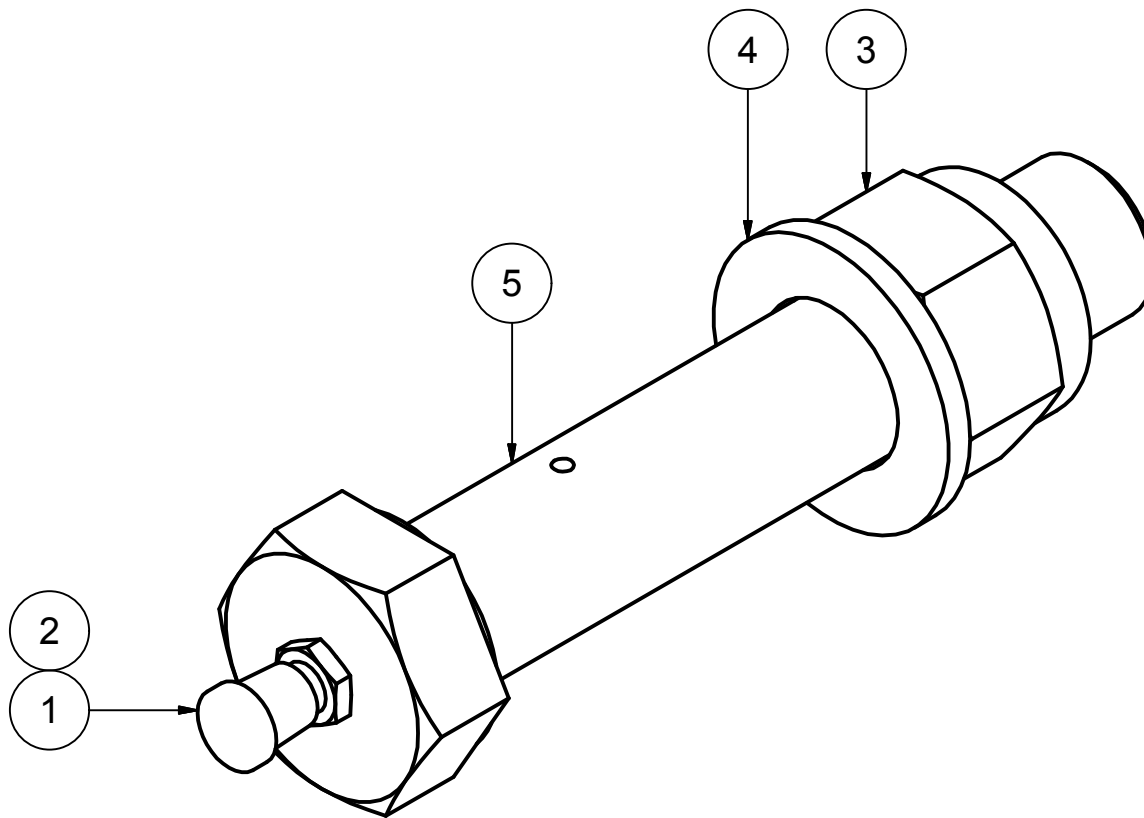
A

TSVD003

VOGELSANG



© Hugo Vogelsang Maschinenbau GmbH.



BOM			
Pos.	Qty.	Part	Description
1	1	BKA.001	Grease Nipple Cap Ø 12 mm x 12 mm
2	1	NKS.001	Grease Nipple H1 M 10 x 1 mm
3	1	NMK.006	Hexagon Nut M 24, DIN 985
4	1	NUS.028	Washer A 25,0 mm x 44 mm x 4,0 mm
5	1	TBO.003	Hexagon Head Bolt M 24 x 130 mm,

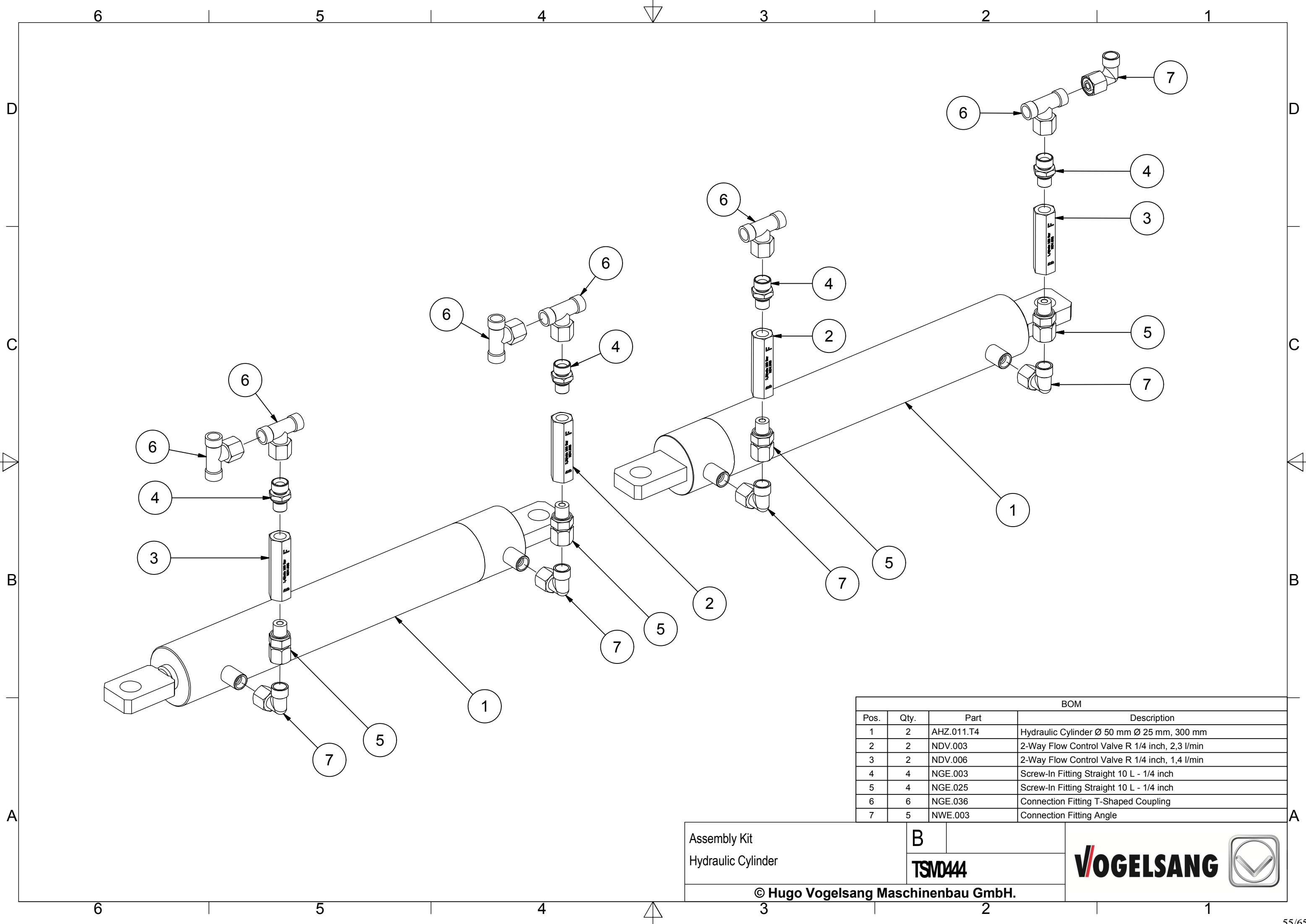
Set of Pins
M 24 x 130 mm

A

TSZ0008

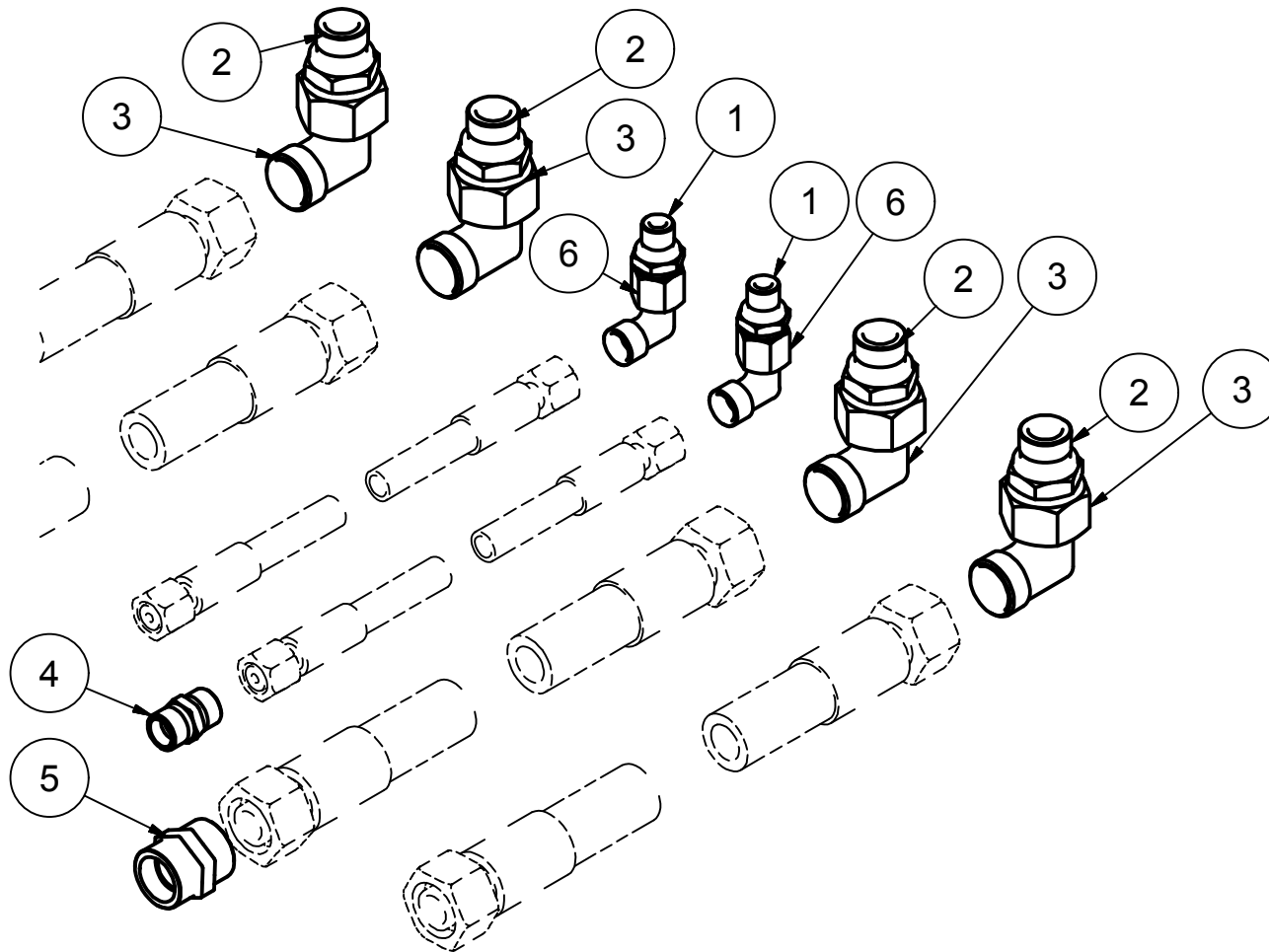
VOGELSANG





BOM			
Pos.	Qty.	Part	Description
1	2	AHZ.011.T4	Hydraulic Cylinder Ø 50 mm Ø 25 mm, 300 mm
2	2	NDV.003	2-Way Flow Control Valve R 1/4 inch, 2,3 l/min
3	2	NDV.006	2-Way Flow Control Valve R 1/4 inch, 1,4 l/min
4	4	NGE.003	Screw-In Fitting Straight 10 L - 1/4 inch
5	4	NGE.025	Screw-In Fitting Straight 10 L - 1/4 inch
6	6	NGE.036	Connection Fitting T-Shaped Coupling
7	5	NWE.003	Connection Fitting Angle

Assembly Kit Hydraulic Cylinder	B TSM044	

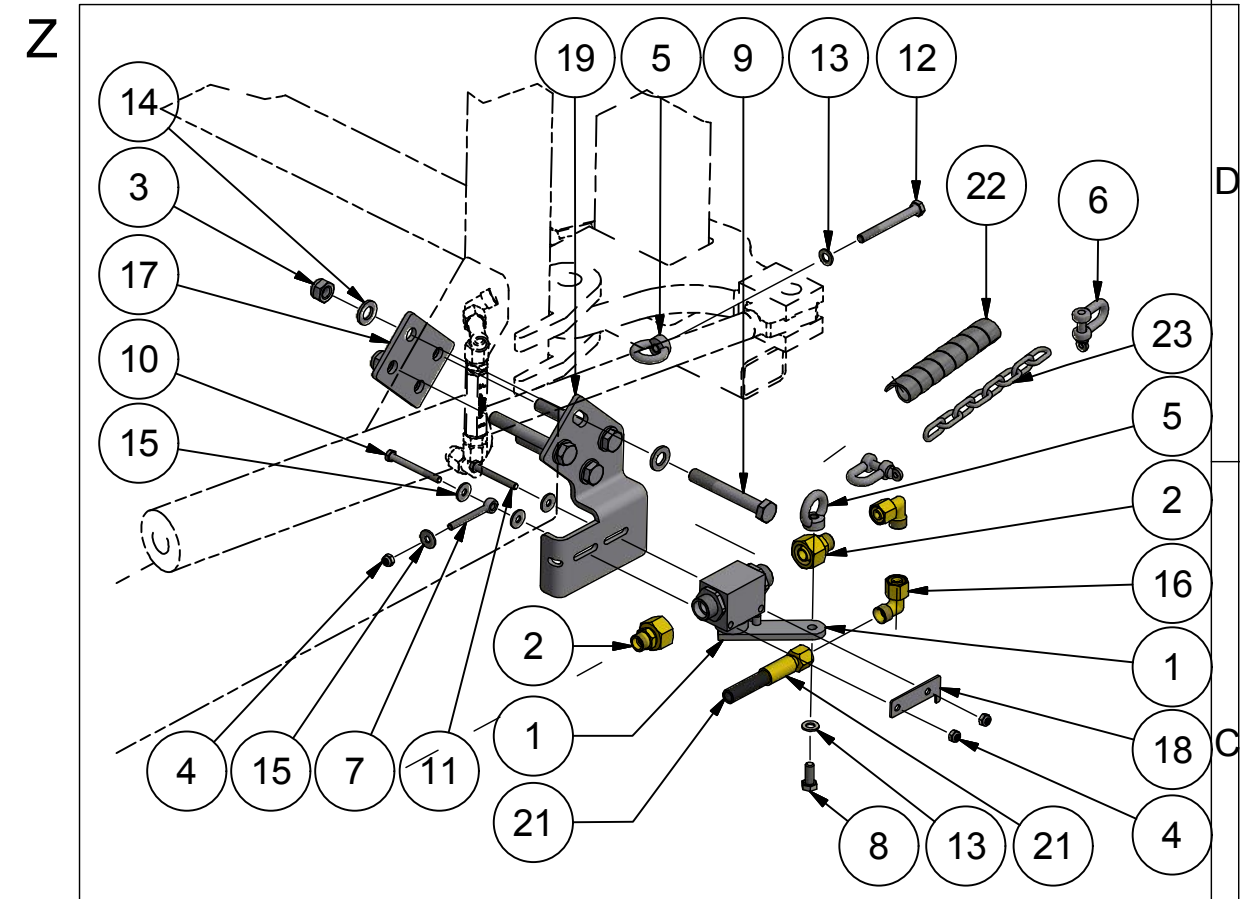
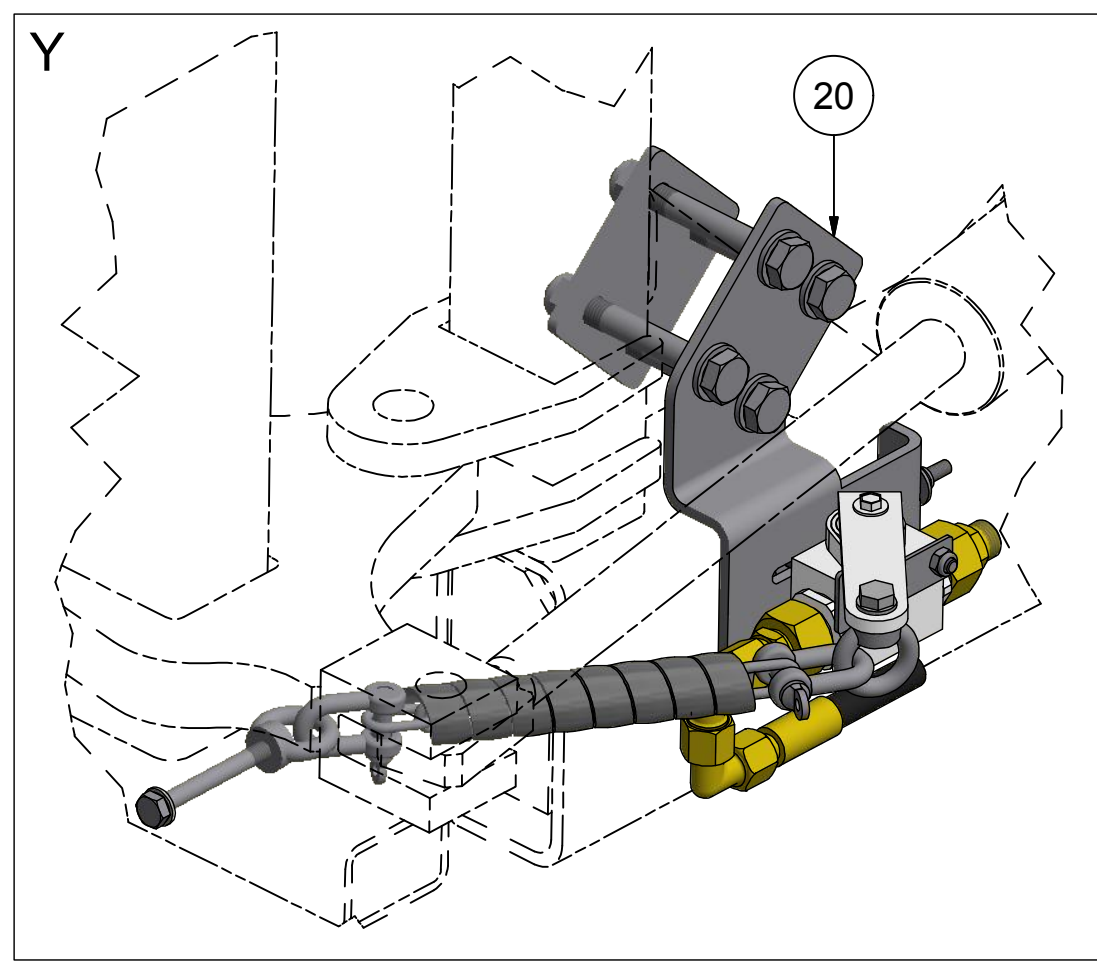
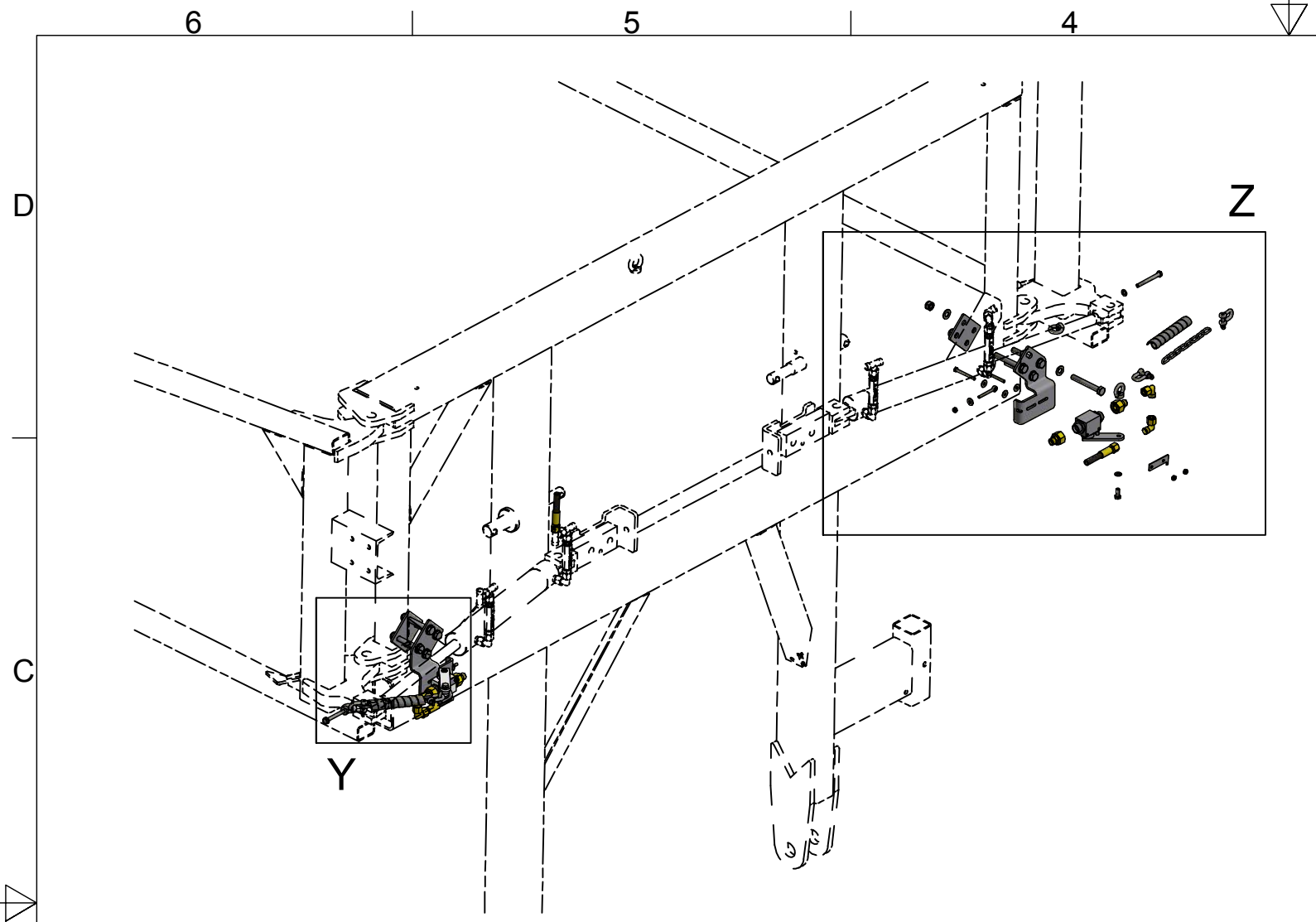


BOM			
Pos.	Qty.	Part	Description
1	2	NGE.003	Screw-In Fitting Straight 10 L - 1/4 inch
2	4	NGE.010	Screw-In Fitting Straight 18 L - 1/2 inch
3	4	NGE.019	Connection Fitting Angle
4	1	NGE.043	Connection Fitting Straight
5	1	NGE.046	Connection Fitting Straight
6	2	NWE.003	Connection Fitting Angle

Laut HGB darf diese Zeichnung ohne unsere Genehmigung weder vervielfältigt noch dritten Personen oder gar Wettbewerbsfirmen zugänglich gemacht werden.

Hugo Vogelsang
Maschinenbau GmbH

Hydraulic Parts	D	
	TE-0016	



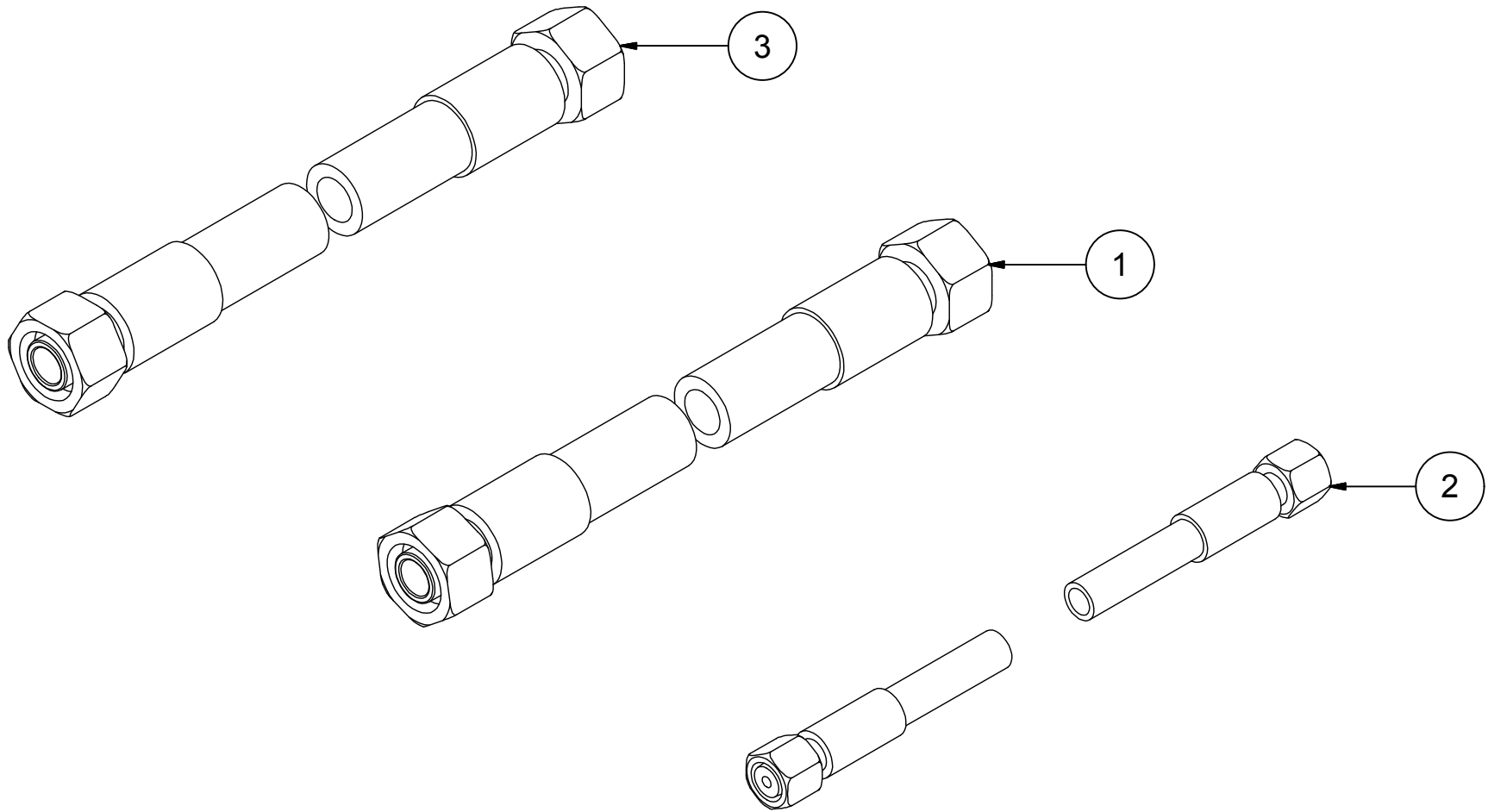
BOM			
Pos.	Qty.	Part	Description
1	2	AHV.045	2-Ways Lift Limiter DN 13, 15 L
2	4	NGE.049	Reducing Fitting Straight
3	8	NMK.002	Hexagon Nut M 12, DIN 985
4	6	NMK.003	Hexagon Nut M 6, DIN 985
5	4	NMK.015	Ring Nut M 8, DIN 582
6	4	NSC.032	Clevis Nominal Size 0,25-DIN 82101 A
7	2	NSH0017	Eye Bolt M 6 x 55 mm, DIN 444 Form LB
8	2	NSK.018	Hexagon Head Bolt M 8 x 20 mm, DIN 933
9	8	NSK.039	Hexagon Head Bolt M 12 x 90 mm, DIN 931
10	2	NSK.076	Hexagon Head Bolt M 6 x 60 mm, DIN 931
11	2	NSK.086	Hexagon Head Bolt M 6 x 50 mm, DIN 933
12	2	NSK0078	Hexagon Head Bolt M 8 x 75 mm, DIN 931
13	4	NUS.003	Washer A 8,4 mm x 16 mm x 1,6 mm
14	16	NUS.005	Washer A 13,0 mm x 24 mm x 2,5 mm
15	8	NUS.032	Washer A 6,4 mm x 18 mm x 1,6 mm
16	4	NWE.003	Connection Fitting Angle
17	2	TFL2579	Holder 5 mm 1.0038
18	2	TFL3204	Gauge 2 mm 1.0038
19	1	TFL3308	Holder 5 mm 1.0038
20	1	TFL3309	Holder 5 mm 1.0038
21	2	THZ.114	Hydraulic Hose 2 SN DN 6 x 850 mm
22	2	ZHSC0064.0150	
23	2	ZNKE005.0184	

Assembly Kit Fuse DropStop
Shaft Supporting Frame

D
TSM0557



© Hugo Vogelsang Maschinenbau GmbH.



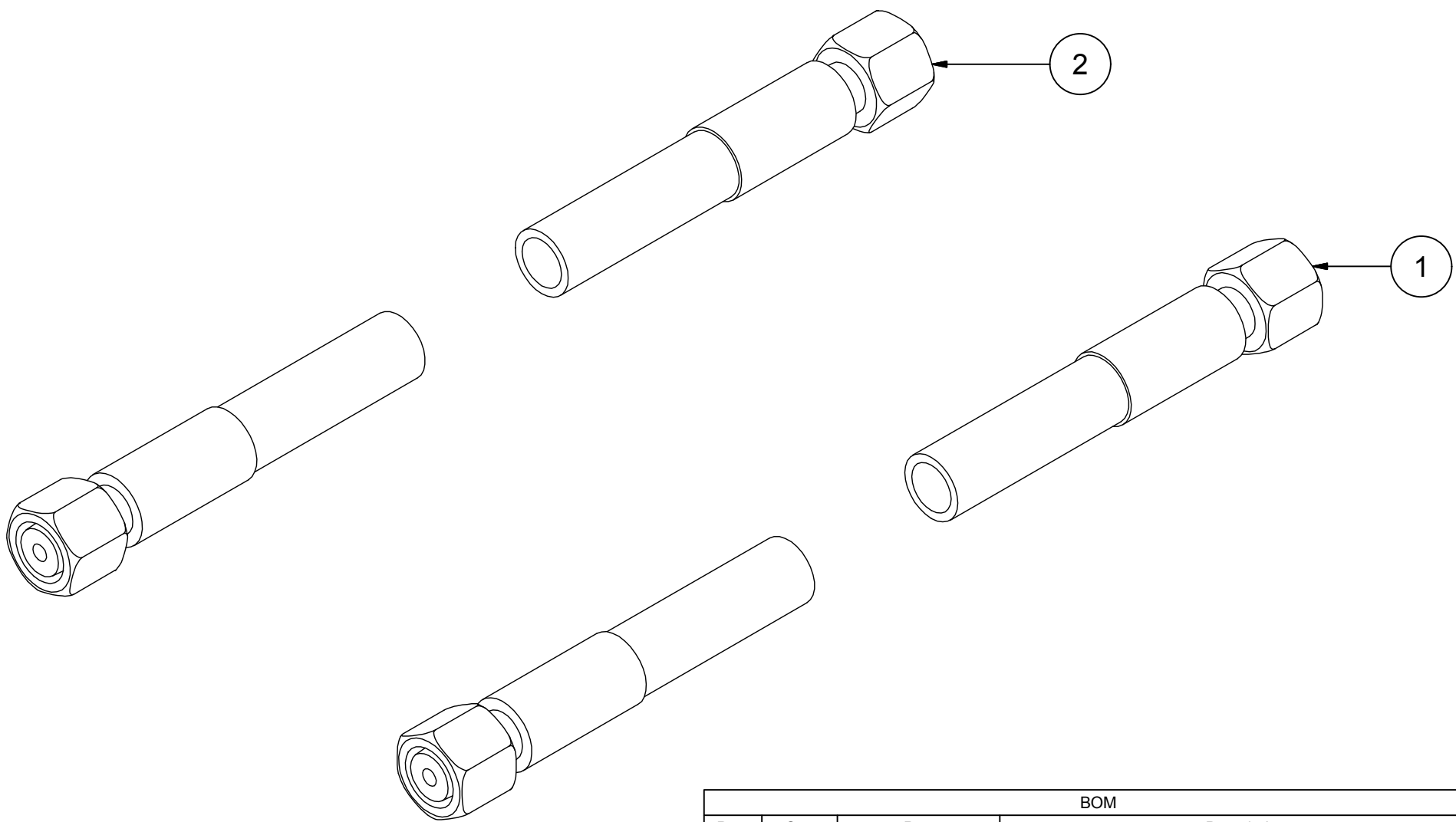
BOM			
Pos.	Qty.	Part	Description
1	1	THZ.123	Hydraulic Hose 2 SN DN 16 x 5000 mm
2	1	THZ.138	Hydraulic Hose 2 SN DN 6 x 5000 mm
3	1	THZ.143	Hydraulic Hose 2 SN DN 16 x 8000 mm

Hydraulic Line, Parts Kit
 SwingUp2/ 3 12 m/ 15 m


C
 TE-10036

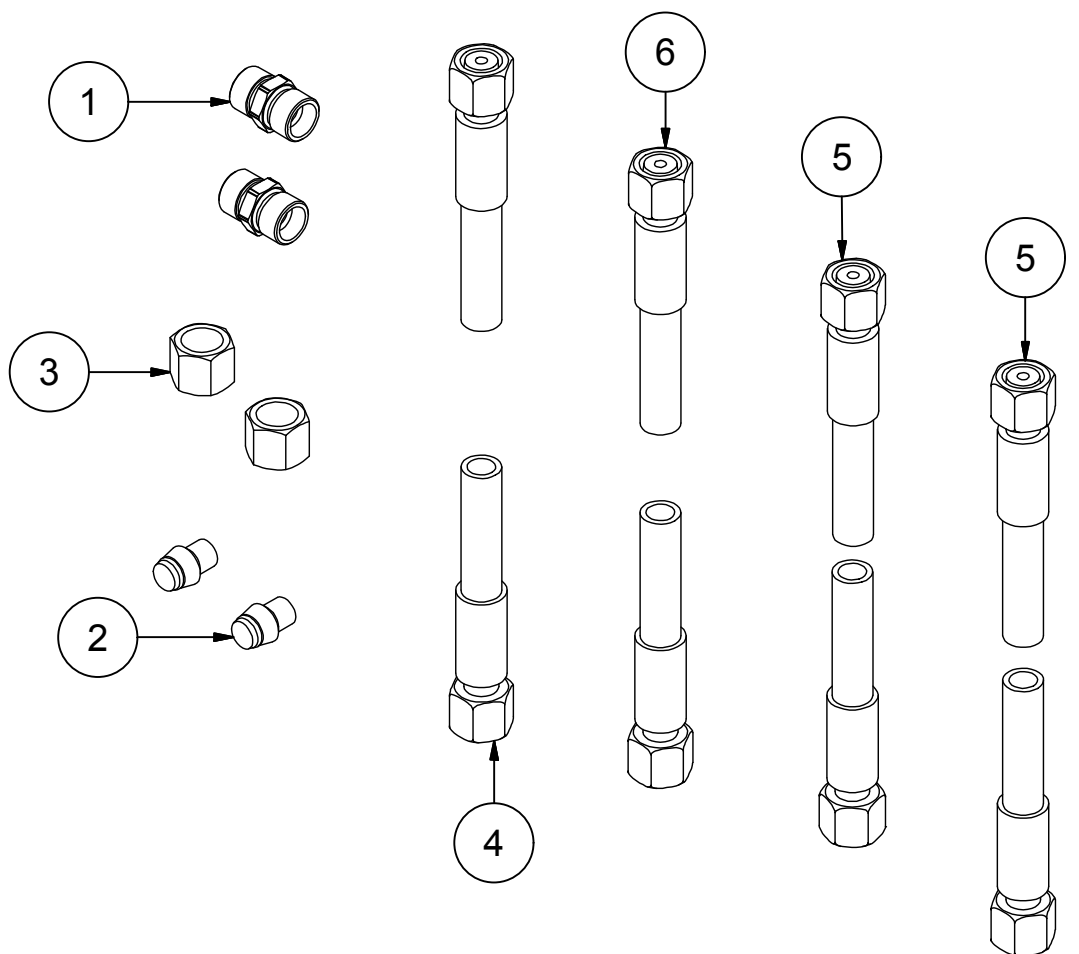
VOGELSANG





BOM			
Pos.	Qty.	Part	Description
1	1	THZ.094	Hydraulic Hose 2 SN DN 6 x 1300 mm
2	1	THZ.116	Hydraulic Hose 2 SN DN 6 x 1900 mm

Hydraulic Line, Parts Kit SwingUp2/ 3/ Farmer	C	
	TE-0037	



BOM			
Pos.	Qty.	Part	Description
1	2	NGE.043	Connection Fitting Straight
2	2	NGE.081	Plug 10L/S
3	2	NGE.107	Lock Nut M 16 x 1,5 mm, DIN 3870
4	1	THZ.099	Hydraulic Hose 2 SN DN 6 x 1500 mm
5	2	THZ.112	Hydraulic Hose 2 SN DN 6 x 560 mm
6	1	THZ.131	Hydraulic Hose 2 SN DN 6 x 1100 mm

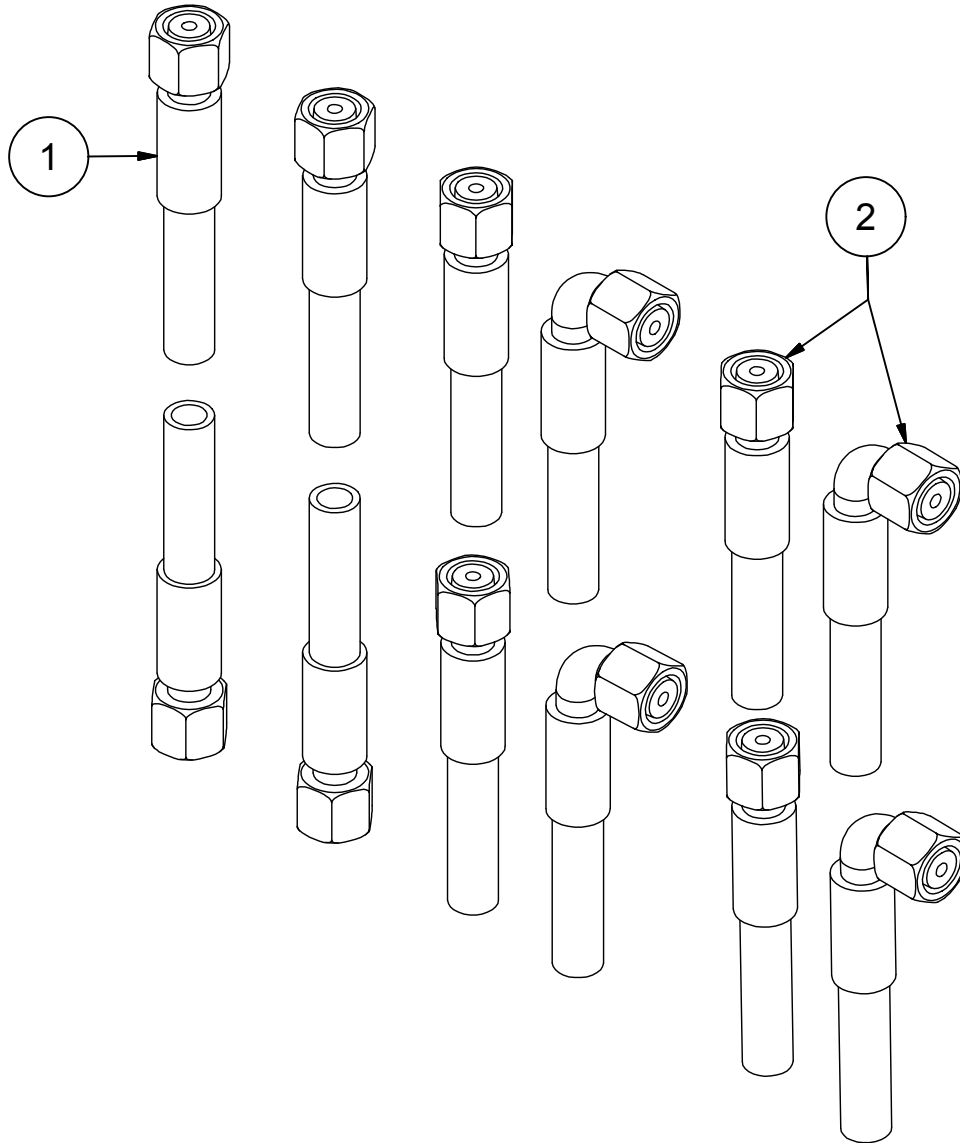
Hydraulic Line, Parts Kit
 SwingUp2 12 m/ 15 m

D

TE-0075

© Vogelsang GmbH & Co. KG





BOM			
Pos.	Qty.	Part	Description
1	2	THZ.040	Hydraulic Hose 2 SN DN 6 x 5200 mm
2	4	THZ0056	Hydraulic Hose 2 SN DN 6 x 2800 mm

Hydraulic Line, Parts Kit
 SwingUp2/ 3/ Farmer

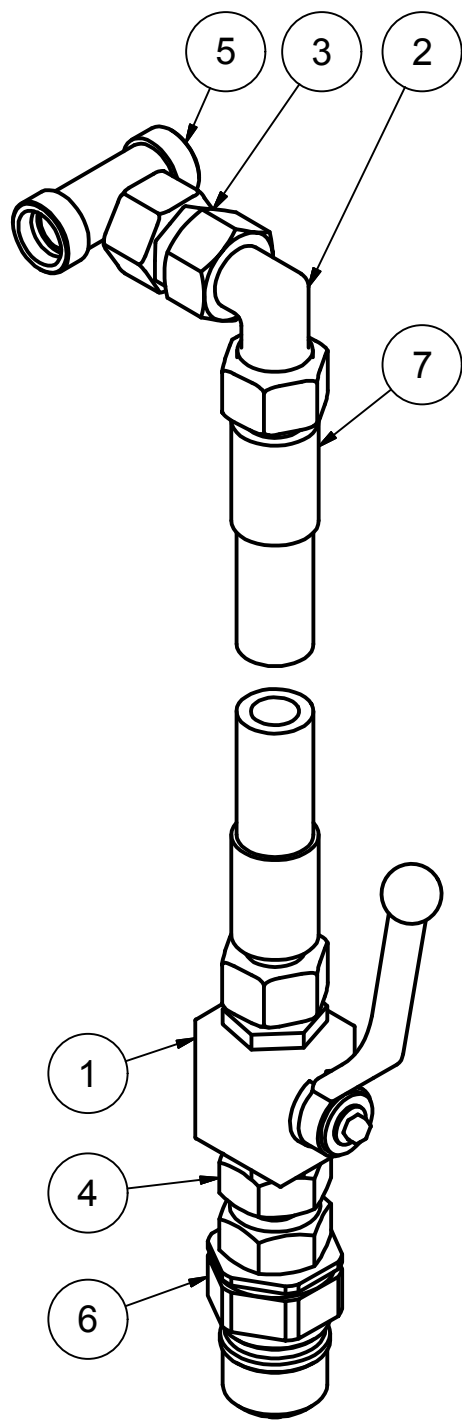
D

TE-0040

© Vogelsang GmbH & Co. KG

VOGELSANG





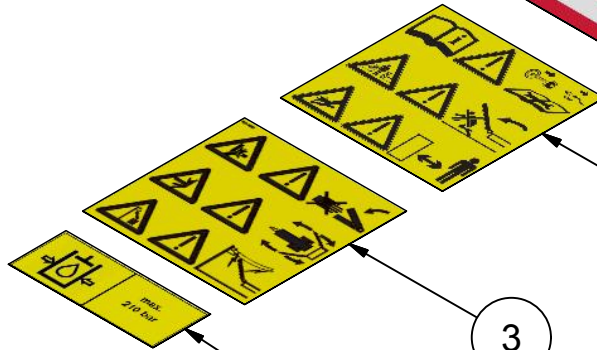
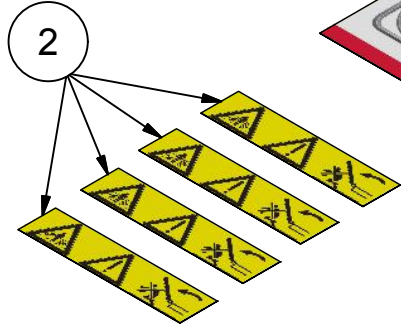
BOM			
Pos.	Qty.	Part	Description
1	1	GHN.029	2-Ways Stop-Cock DN 16, 18 L
2	1	NGE.019	Connection Fitting Angle
3	1	NGE.046	Connection Fitting Straight
4	1	NGE.060	Connection Fitting Straight
5	1	NGE.306	Connection Fitting T-Shaped Coupling
6	1	SST.049	Plug Coupling Plug BGR 6
7	1	THZ.056	Hydraulic Hose 2 SN DN 16 x 3000 mm

Hydraulic Parts Partial Width
Switching, manual

A
TEH0172

VOGELSANG

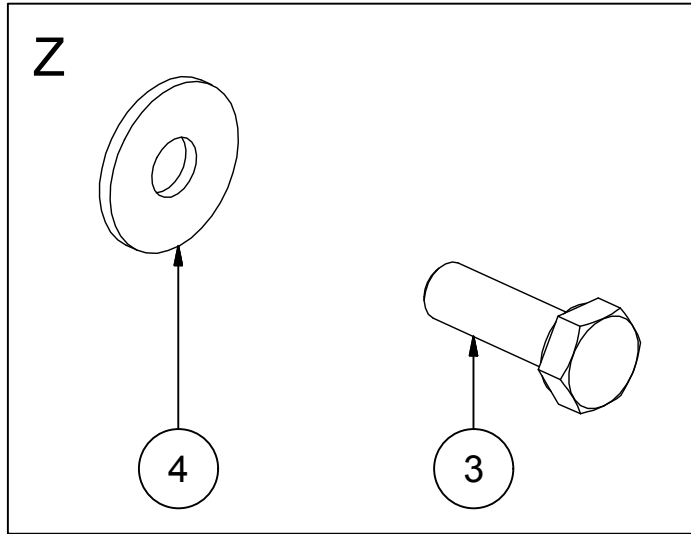
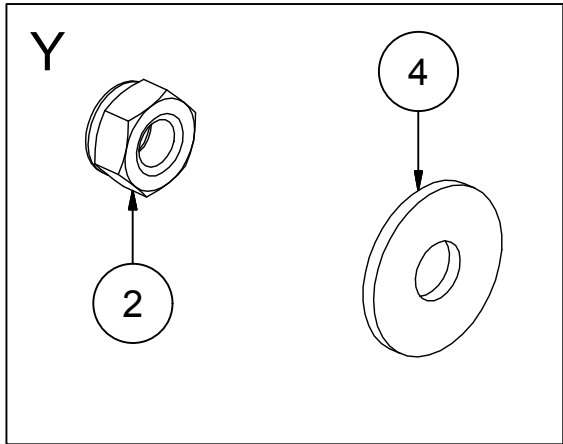
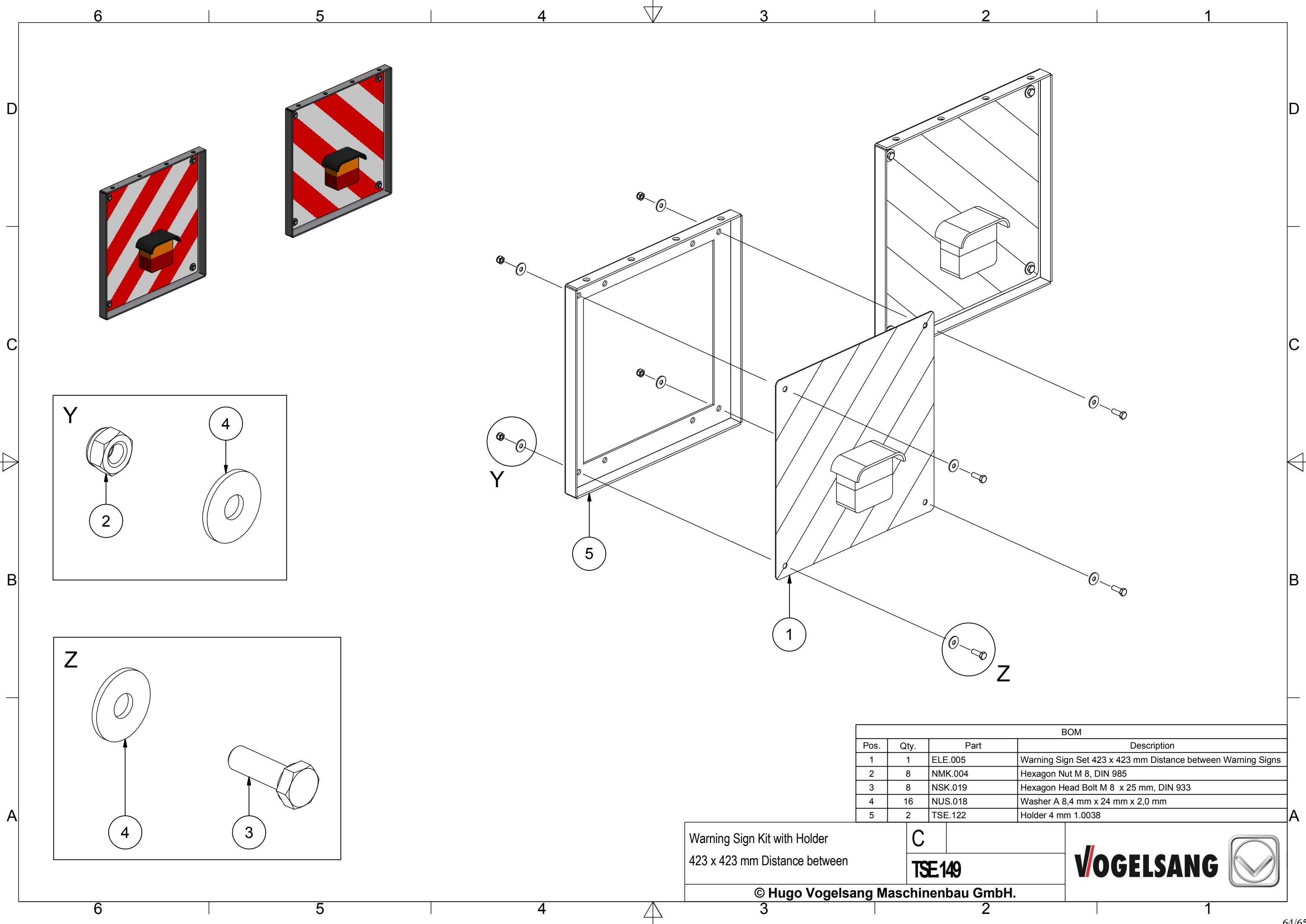




BOM			
Pos.	Qty.	Part	Description
1	1	VAU0002	Label Operating Instructions / Crushing Hazard / Clearance
2	4	VAU0003	Label Crushing Hazard and Danger of Impact 112 mm x 26
3	1	VAU0042	Label Crushing Hazard/ Danger of Electric Shock 112 mm x 112
4	2	VAU0045	Label Vogelsang Logo
5	1	VAU0071.00	Label Maximum Admissible Hydraulic Pressure 210 bar

Parts Kit, Stickers
 SwingUp2/3, SwingUp Farmer ,
 D
 TSZ0020
 © Vogelsang GmbH & Co. KG





BOM			
Pos.	Qty.	Part	Description
1	1	ELE.005	Warning Sign Set 423 x 423 mm Distance between Warning Signs
2	8	NMK.004	Hexagon Nut M 8, DIN 985
3	8	NSK.019	Hexagon Head Bolt M 8 x 25 mm, DIN 933
4	16	NUS.018	Washer A 8,4 mm x 24 mm x 2,0 mm
5	2	TSE.122	Holder 4 mm 1.0038

Warning Sign Kit with Holder
423 x 423 mm Distance between

C

TSE149

VOGELANG

© Hugo Vogelsang Maschinenbau GmbH.



Vogelsang GmbH & Co. KG

Holthöge 10-14, 49632 Essen/Oldb., GERMANY

Phone: +49 (0) 5434 83 83 83
+49 (0) 5434 83 99 99

Fax: +49 (0) 5434 83 10

service@vogelsang.info

www.vogelsang.info

Vogelsang Lutherstadt Eisleben

Gewerbegebiet Rothenschirmbach Nr. 8, 06295 Lutherstadt Eisleben, GERMANY

Phone: +49 (0) 34776 91 92 14

Fax: +49 (0) 34776 91 92 60

ENGINEERED TO WORK

Australia
Vogelsang Pty. Ltd.
vogelsang.com.au

Denmark
Vogelsang A/S
vogelsang-as.dk

Italy
Vogelsang Italy Srl
vogelsang-srl.it

Russia
Vogelsang Russland
vogelsang.ru

USA
Vogelsang USA Ltd.
vogelsangusa.com

Austria
Vogelsang Austria GmbH
vogelsang-austria.at

Finland
Vogelsang Oy
vogelsang.fi

Malaysia
Vogelsang Malaysia
vogelsang.info

South Korea
Vogelsang Korea Co., Ltd.
vogelsang.co.kr

Brasil
Vogelsang Brasil Ltda.
vogelsang.com.br

France
Vogelsang France S.A.R.L.
vogelsang.fr

Mexico
Vogelsang De México
S.de R.L. de CV
vogelsang.mx

Spain
Vogelsang S.L.
vogelsang.es

China
Vogelsang Mechanical
Engineering (Shanghai) Co., Ltd.
vogelsang.com.cn

India
Vogelsang India Private Limited
vogelsangindia.com

Poland
Vogelsang Poland Sp. z o.o.
vogelsang.pl

Sweden
Vogelsang Sverige AB
vogelsang.se

Czech Republic
Vogelsang CZ s.r.o.
vogelsang-czech.cz

Ireland
Vogelsang Irland
vogelsang.ie

Romania
Vogelsang Romania SRL
vogelsang.ro

United Kingdom
Vogelsang Ltd.
vogelsang.co.uk

We reserve the right to make technical modifications to the diagrams and information presented in this document in the event that such modifications become necessary for the enhancement of the machine.