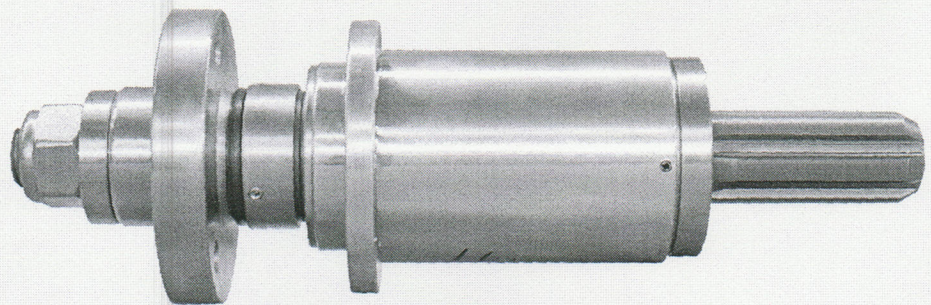


Replacing bearing housing



Installation instruction

Original editon

Requirements

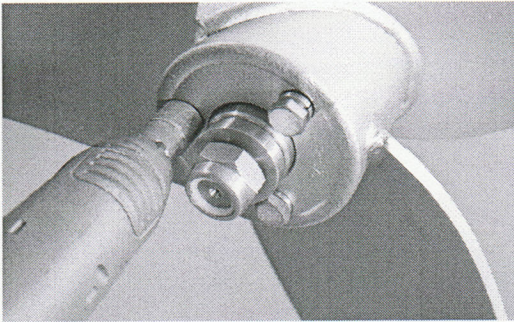
In the Installation instruction are all important information for the assembly summed up.

Read the entire Installation instruction carefully and install the product just, if you have understand the Installation instruction.

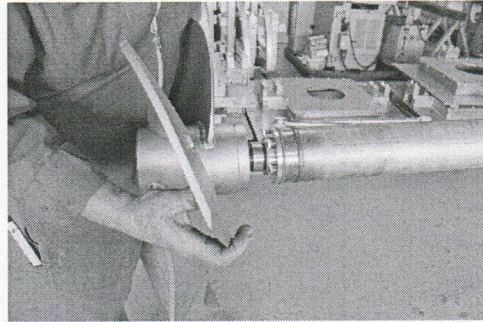
Short-Cuts and Explanations:

WAF	Width field across
V2A	ss304
V4A	ss316

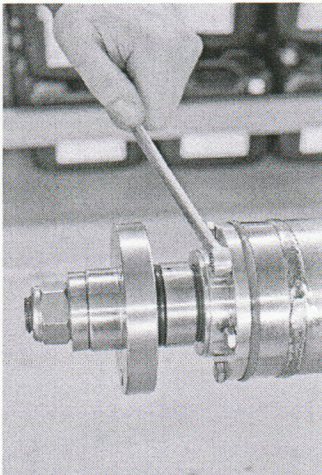
Installation instruction



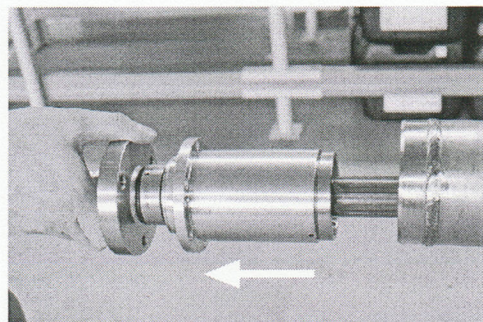
1. Loosen 3x V2A-M12-hexagon screws. Remove limes rings (conical lock washer) and screws.



2. Remove propeller.

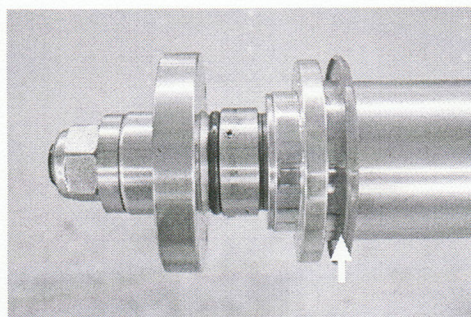


3. Loosen and remove 6x V2A-M8-hexagon screws (WAF13) at the bearing housing.



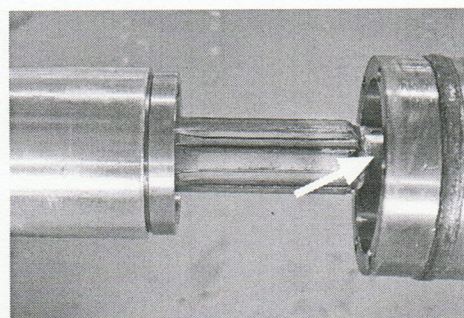
4. Remove old bearing housing and the red flat seal off the flange.

Replacing bearing housing - Installation instruction

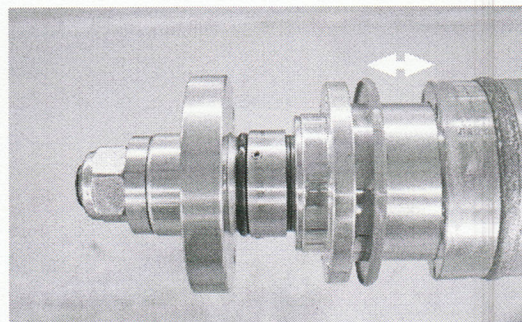


5. Slip on a new red PVY-flat seal on the bearing housing with a distance of 10 mm to the bearing housing.

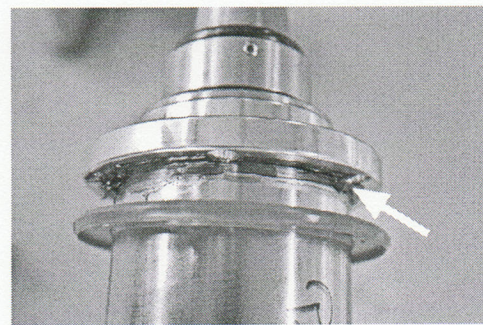
Attention: Risk of breakage when operating too rough.



6. Grease spline sleeve of the slip-on shaft.



7. Slip-on the bearing housing into the spline sleeve and stop within a distance of 30 mm between the gasket and tube.



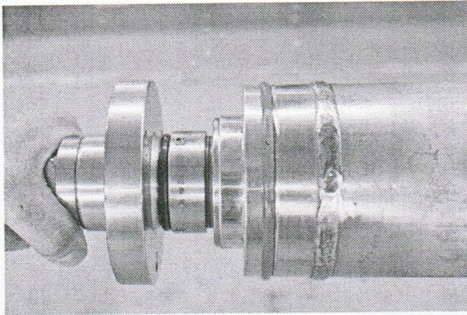
8. Apply Hylomar type M between bearing housing and flat seal.



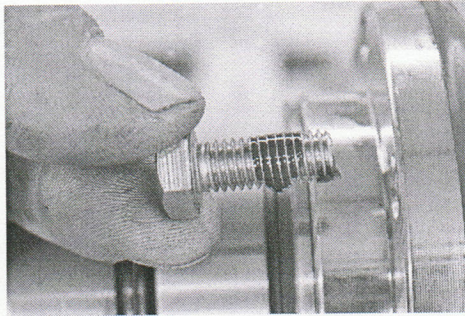
9. Slip flat seal completely on the bearing housing with drill holes lying exactly upon each other.



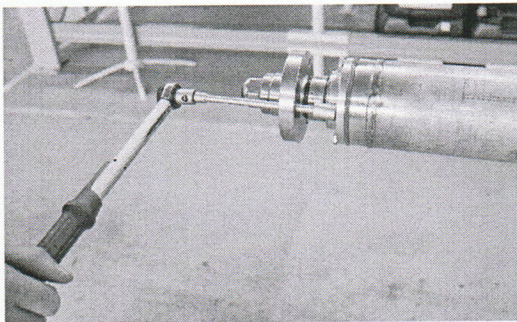
10. Apply Hylomar type M on the the other side of the red gasket.



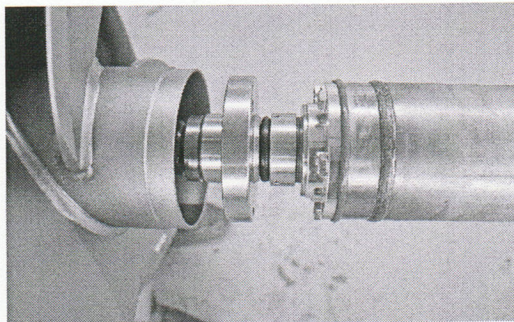
11. Slip bearing housing completely on the spline sleeve.



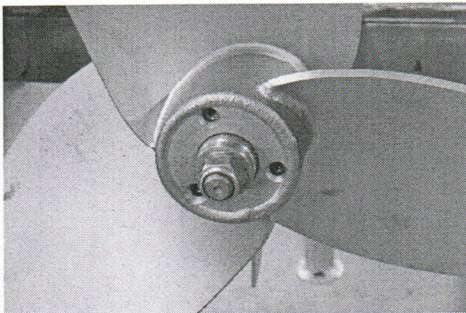
12. Apply medium strength thread locking on 6x new V2A-M8-screws (1 drop)



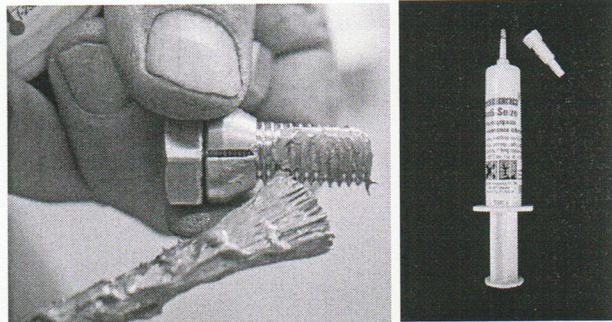
13. Tighten 6x hexagon bolts with 35 Nm.



14. Slip on propeller.

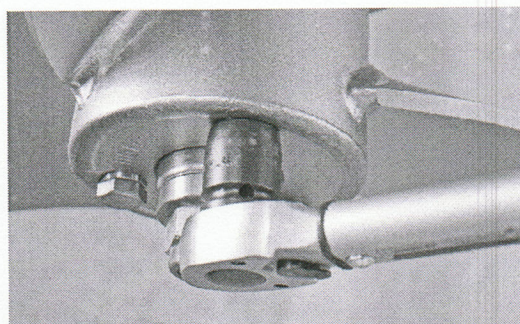


15. Adjust the holes on the grain.



16. Slip 3x V2A-limes rings (conical lock washer) on 3x V2A-M12-screws (WAF19) and grease the winding with Anti-Seize.

Attention: SUMA suggested to use new hexagon screws and limes rings!



17. Tighten screws of the propeller with 70 Nm.



SUMA Rührtechnik GmbH

Martinszeller Str. 21
DE-87477 Sulzberg
Phone +49 83 76/92 131-0
Fax +49 83 76/92 131-19
E-Mail: info@suma.de
Web: www.suma.de

All rights reserved
© 2014 Original edition