

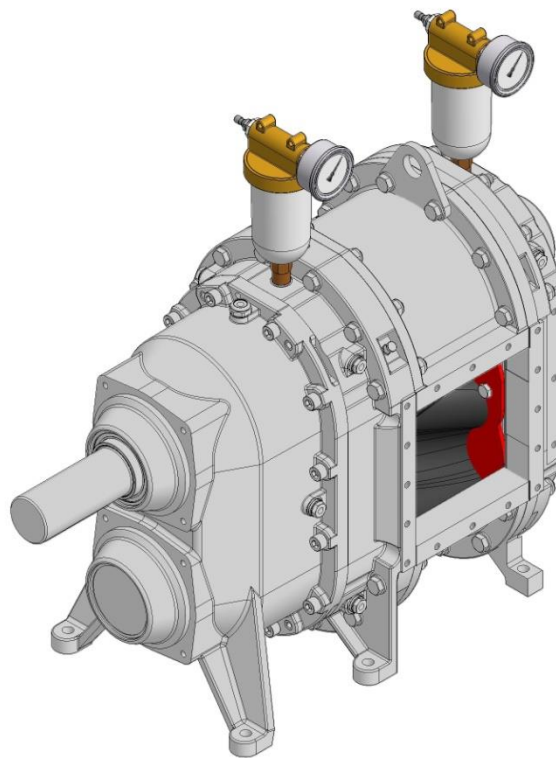


Spare Parts List

Explosion-Proof Rotary Lobe Pump

VX186QD

ENGINEERED TO WORK



Issuer

Hugo Vogelsang Maschinenbau GmbH
Holthöge 10-14
49632 Essen/Oldb.

Phone: +49 54 34 83 0

Fax: +49 54 34 83 10

vogelsang-gmbh.com

info@vogelsang-gmbh.com

In the absence of express, written authorisation from the issuer, the reproduction or partial reproduction of this document in any form is prohibited.

We reserve the right to make technical modifications to the diagrams and information presented in this document in the event that such modifications become necessary for the enhancement of the machine.

© 2014 Hugo Vogelsang Maschinenbau GmbH

Registered trademarks of Vogelsang

Vogelsang, Vogelsang Logo, RotaCut, HiFlo, ACC, CFC, BioCrack, XTill, EnergyJet and BioCut are registered trademarks of Hugo Vogelsang Maschinenbau GmbH.

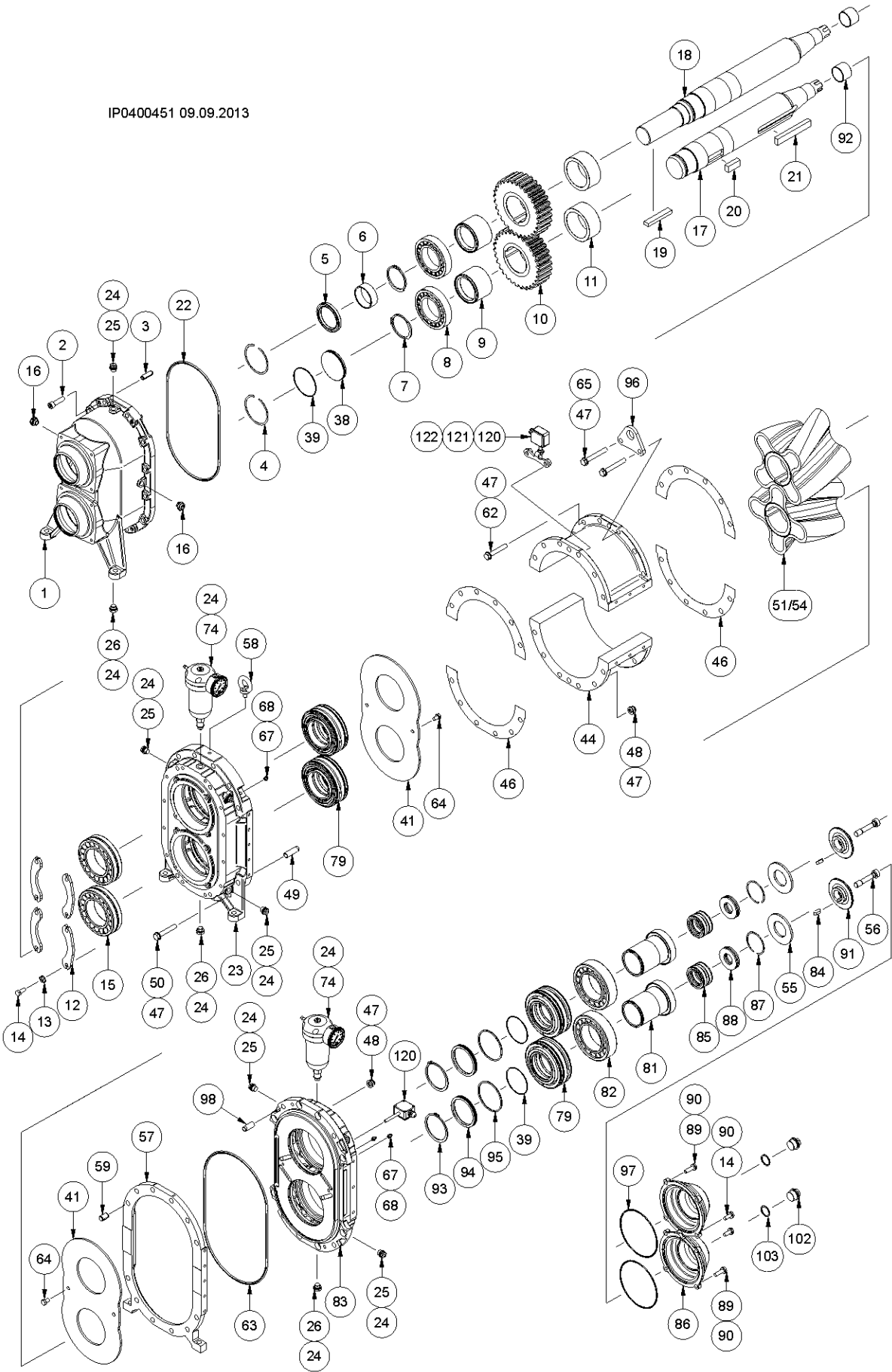
The registered trademarks are not always designated with an ® symbol in this document.

Contents

Exploded view4
Gearbox housing and accessories5
 Position 1-165
Motor shaft.....5
 Position 17-195
PTO shaft6
 Position 17-196
Fitting key6
 Position 1-156
Bearing seal housing + accessories6
 Position 22-266
Wear plate6
 Position 416
Pump housing segment.....7
 Position 447
Gasket for pump housing segment8
 Position 468
Bolts and accessories8
 Position 47-508
Rotary lobes9
 Position 51-549
HiFlo10
Rotary lobes; bi-lobe.....12
Solid material rotary lobes12
O-ring for solid material rotary lobes12
Preload13
 Position 52-5613
Cover flange13
 Position 57-7713
Buffer chamber enlargement13
 Position 7413
Option: Intermediate flange.....14
 Position 72-73 + 75-78 + 8014
Cartridge mechanical seal.....15
 Pos. 79.....15
"Loose parts" for Cartridge mechanical seal15
Bearing seal housing + accessories16
 Position 81-9516
Accessories16
 Pos. 96-103.....16
Temperature sensor.....16
 Pos. 120-122.....16
Tools.....17
Material for connectors.....18
Required spare parts for rotary lobe change.....19
Necessary spare parts for Cartridge mechanical seal change19
Necessary spare parts for wear part replacement with Cartridge mechanical seal20

Exploded view

IP0400451 09.09.2013



Gearbox housing and accessories

Position 1-16

Pos.	Part number	Description	Dimensions	Notes	Rep.	92	130	184	260	368	390	520	736
1	PGP.A019.T3	Gear box housing				1	1	1	1	1	1	1	1
2	NSI.091	Cylinder head bolt	M12 x 45	DIN 912		12	12	12	12	12	12	12	12
3	NSP.017	Spring pin	13 x 40	DIN 1481		4	4	4	4	4	4	4	4
	NSP.002	Spring pin	8 x 40	DIN 1481		4	4	4	4	4	4	4	4
4	NSR.027	Multi-disc ring	95 x 5 x 0,98			2	2	2	2	2	2	2	2
Motor shaft:													
5	DWD.049.HNB	Radial shaft seal ring	72 x 95 x 10	HNBR		1	1	1	1	1	1	1	1
	DWD.049.VI	Radial shaft seal ring	72 x 95 x 10	FPM									
6	NIR.014	Inner ring	JR 65 x 72 x 25			1	1	1	1	1	1	1	1
PTO shaft													
5	DWD.049.HNB	Radial shaft seal ring	72 x 95 x 10	HNBR		2	2	2	2	2	2	2	2
	DWD.049.VI	Radial shaft seal ring	72 x 95 x 10	FPM									
6	NIR.014	Inner ring	JR 65 x 72 x 25			2	2	2	2	2	2	2	2
7	NSR.011	Retaining ring	AS 75 x 4	DIN 471		2	2	2	2	2	2	2	2
8	NLG.027	Cylindrical roller bearing				2	2	2	2	2	2	2	2
9	PRS.A001.N1	Distance sleeve				2	2	2	2	2	2	2	2
10	PZH.A004	Gear				2	2	2	2	2	2	2	2
11	PRS.A002	Distance sleeve				2	2	2	2	2	2	2	2
12	PFL.A016	Bearing fixing sheet				4	4	4	4	4	4	4	4
13	NUS.066	Lock washer	10,5	DIN 432		8	8	8	8	8	8	8	8
14	NSK.027	Hexagon head bolt	M 10 x 25			12	12	12	12	12	12	12	12
				Option: intermediate flange		+4	+4	+4	+4	+4	+4	+4	+4
15	NLG.025	Spherical roller bearing				2	2	2	2	2	2	2	2
16	PSG.017	Sight glass	M16			2	2	2	2	2	2	2	2

Motor shaft

Position 17-19

Pos.	Part number	Description	Dimensions	Notes	Rep.	92	130	184	260	368	390	520	736
17	PWL0019	Motor shaft	VX186-92-MK-QD	Short		1	-	-	-	-	-	-	-
	PWL.A008.N1	Motor shaft	VX186-130-MK-QD	Short		-	1	-	-	-	-	-	-
	PWL.A009.N1	Motor shaft	VX186-184-MK-QD	Short		-	-	1	-	-	-	-	-
	PWL.A010.N1	Motor shaft	VX186-260-MK-QD	Short		-	-	-	1	-	-	-	-
	PWL.A011.N1	Motor shaft	VX186-368-MK-QD	Short		-	-	-	-	1	-	-	-
	PWL.A037.N1	Motor shaft	VX186-390-MK-QD	Short		-	-	-	-	-	1	-	-
	PWL.A012.N1	Motor shaft	VX186-520-MK-QD	Short		-	-	-	-	-	-	1	-
	PWL.A015.N1	Motor shaft	VX186-736-MK-QD	Short		-	-	-	-	-	-	-	1
18	PWL0018	Motor shaft	VX186-92-M60-QD	Long		1	-	-	-	-	-	-	-
	PWL.A002.N1	Motor shaft	VX186-130-M60-QD	Long		-	1	-	-	-	-	-	-
	PWL.A003.N1	Motor shaft	VX186-184-M60-QD	Long		-	-	1	-	-	-	-	-
	PWL.A004.N1	Motor shaft	VX186-260-M60-QD	Long		-	-	-	1	-	-	-	-
	PWL.A005.N1	Motor shaft	VX186-368-M60-QD	Long		-	-	-	-	1	-	-	-
	PWL.A036.N1	Motor shaft	VX186-390-M60-QD	Long		-	-	-	-	-	1	-	-
	PWL.A006.N1	Motor shaft	VX186-520-M60-QD	Long		-	-	-	-	-	-	1	-
	PWL.A016.N1	Motor shaft	VX186-736-M60-QD	Long		-	-	-	-	-	-	-	1
18	PWL.A008.N1.H	Hollow shaft	VX186-130-MH-QD			-	1	-	-	-	-	-	-
	PWL.A003.N1.H	Hollow shaft	VX186-184-MH-QD			-	-	1	-	-	-	-	-
	PWL.A004.N1.H	Hollow shaft	VX186-260-MH-QD			-	-	-	1	-	-	-	-
	PWL.A005.N1.H	Hollow shaft	VX186-368-MH-QD			-	-	-	-	1	-	-	-
	PWL.A037.N1.H	Hollow shaft	VX186-390-MH-QD			-	-	-	-	-	1	-	-
	PWL.A006.N1.H	Hollow shaft	VX186-520-MH-QD			-	-	-	-	-	-	1	-
	PWL.A015.N1.H	Hollow shaft	VX186-736-MH-QD			-	-	-	-	-	-	-	1

⁽⁷⁾ for hydraulic motor

PTO shaft
Position 17-19

Pos.	Part number	Description	Dimensions	Notes	Rep.	92	130	184	260	368	390	520	736
17/ 18	PWL.A031.N1	PTO shaft	VX186-130-P6-QD			-	2	-	-	-	-	-	-
	PWL.A032.N1	PTO shaft	VX186-184-P6-QD			-	-	2	-	-	-	-	-
	PWL.A033.N1	PTO shaft	VX186-260-P6-QD			-	-	-	2	-	-	-	-
	PWL.A034.N1	PTO shaft	VX186-368-P6-QD			-	-	-	-	2	-	-	-
	PWL.A038.N1	PTO shaft	VX186-390-P6-QD			-	-	-	-	-	2	-	-
	PWL.A035.N1	PTO shaft	VX186-520-P6-QD			-	-	-	-	-	-	2	-
	PWL.A041.N1	PTO shaft	VX186-736-P6-QD			-	-	-	-	-	-	-	2
17/ 18	PWL.A014.N1	PTO shaft	VX186-368-P20-QD			-	-	-	-	2	-	-	-
	PWL.A040.N1	PTO shaft	VX186-390-P20-QD			-	-	-	-	-	2	-	-
	PWL.A039.N1	PTO shaft	VX186-520-P20-QD			-	-	-	-	-	-	2	-

Fitting key
Position 1-15

Pos.	Part number	Description	Dimensions	Notes	Rep.	92	130	184	260	368	390	520	736
19	NPF.047	Fitting key	B 18 x 11 x 100	Motor shaft long		1	1	1	1	1	1	1	1
20	NPF.040	Fitting key	B 22 x 14 x 50	DIN 6885		2	2	2	2	2	2	2	2
21	NPF.040	Fitting key	B 22 x 14 x 50	DIN 6885		2	-	-	-	-	-	-	-
	NPF.041	Fitting key	B 22 x 14 x 70	DIN 6885		-	-	-	-	-	2	-	-
	NPF.042	Fitting key	B 22 x 14 x 90	DIN 6885		-	2	-	-	-	-	-	-
	NPF.043	Fitting key	B 22 x 14 x 100	DIN 6885		-	-	-	-	2	-	4	4
	NPF.044	Fitting key	B 22 x 14 x 140	DIN 6885		-	-	2	-	-	4	4	4
	NPF.045	Fitting key	B 22 x 14 x 220	DIN 6885		-	-	-	2	2	-	-	2

Bearing seal housing + accessories
Position 22-26

Pos.	Part number	Description	Dimensions	Notes	Rep.	92	130	184	260	368	390	520	736
22	DOR.026	O-ring	330 x 6	NBR 70		1	1	1	1	1	1	1	1
	DOR.026.VI	O-ring	330 x 6	FPM									
23	PGP.A018.T1	Bearing seal housing				1	1	1	1	1	1	1	1
24	DKR.005	Copper ring	C 16 x 22 x 2			10	10	10	10	10	10	10	10
25	NSK.081	Screw plug	M16 x 1,5			5	5	5	5	5	5	5	5
26	NSK.088	Screw plug	M16	Magnetic		3	3	3	3	3	3	3	3
38	PRS.A028	Plug disc		Motor shaft short		1	1	1	1	1	1	1	1
39	DOR.044	O-ring	85 x 2,5; NBR	QD cover		2	2	2	2	2	2	2	2
	DOR.044.VI	O-ring	85 x 2,5; FPM										
39	DOR.044	O-ring	85 x 2,5; NBR	Motor shaft short		1	1	1	1	1	1	1	1
	DOR.044.VI	O-ring	85 x 2,5; FPM										

Wear plate
Position 41

Pos.	Part number	Description	Dimensions	Notes	Rep.	92	130	184	260	368	390	520	736
41	PFL.A017	Wear plate	6 mm										
	PFL.A017.G1	Wear plate	6 mm	Tungsten carbide coated		2	2	2	2	2	2	2	2
	PFL.A017.T2	Wear plate	5,7 mm										

Pump housing segment
Position 44

Pos.	Part number	Description	Dimensions	Notes	Rep.	92	130	184	260	368	390	520	736
------	-------------	-------------	------------	-------	------	----	-----	-----	-----	-----	-----	-----	-----



44	PGP.A007	Pump housing segment	92	0.6025		2	-	-	-	-	-	-	-
	PGP.A008	Pump housing segment	130	0.6025		-	2	-	-	-	2	-	-
	PGP.A009	Pump housing segment	184	0.6025		-	-	2	-	4	-	-	8
	PGP.A010	Pump housing segment	260	0.6025		-	-	-	2	-	2	4	-
	PGP.A007.G1	Pump housing segment	92	Tungsten carbide coated		2	-	-	-	-	-	-	-
	PGP.A008.G1	Pump housing segment	130	Tungsten carbide coated		-	2	-	-	-	2	-	-
	PGP.A009.G1	Pump housing segment	184	Tungsten carbide coated		-	-	2	-	4	-	-	8
	PGP.A010.G1	Pump housing segment	260	Tungsten carbide coated		-	-	-	2	-	2	4	-
	PGP.A007.G2	Pump housing segment	92	EN-JS-1100 (ADI)		2	-	-	-	-	-	-	-
	PGP.A008.G2	Pump housing segment	130	EN-JS-1100 (ADI)		-	2	-	-	-	2	-	-
	PGP.A009.G2	Pump housing segment	184	EN-JS-1100 (ADI)		-	-	2	-	4	-	-	8
PGP.A010.G2	Pump housing segment	260	EN-JS-1100 (ADI)		-	-	-	2	-	2	4	-	



Injection S

44	PGP.A040	Pump housing segment	92	0.6025		2	-	-	-	-	-	-	-
	PGP.A041	Pump housing segment	130	0.6025		-	2	-	-	-	2	-	-
	PGP.A042	Pump housing segment	184	0.6025		-	-	2	-	4	-	-	8
	PGP.A043	Pump housing segment	260	0.6025		-	-	-	2	-	2	4	-
	PGP.A040.G1	Pump housing segment	92	Tungsten carbide coated		2	-	-	-	-	-	-	-
	PGP.A041.G1	Pump housing segment	130	Tungsten carbide coated		-	2	-	-	-	2	-	-
	PGP.A042.G1	Pump housing segment	184	Tungsten carbide coated		-	-	2	-	4	-	-	8
	PGP.A043.G1	Pump housing segment	260	Tungsten carbide coated		-	-	-	2	-	2	4	-
	PGP.A040.G2	Pump housing segment	92	EN-JS-1100 (ADI)		2	-	-	-	-	-	-	-
	PGP.A041.G2	Pump housing segment	130	EN-JS-1100 (ADI)		-	2	-	-	-	2	-	-
	PGP.A042.G2	Pump housing segment	184	EN-JS-1100 (ADI)		-	-	2	-	4	-	-	8
PGP.A043.G2	Pump housing segment	260	EN-JS-1100 (ADI)		-	-	-	2	-	2	4	-	



Injection A

44	PGP0089	Pump housing segment	92	0.6025		2	-	-	-	-	-	-	-
	PGP0086	Pump housing segment	130	0.6025		-	2	-	-	-	2	-	-
	PGP0087	Pump housing segment	184	0.6025		-	-	2	-	4	-	-	8
	PGP0088	Pump housing segment	260	0.6025		-	-	-	2	-	2	4	-
	PGP0113	Pump housing segment	92	EN-JS-1100 (ADI)		2	-	-	-	-	-	-	-
	PGP0080	Pump housing segment	130	EN-JS-1100 (ADI)		-	2	-	-	-	2	-	-
	PGP0114	Pump housing segment	184	EN-JS-1100 (ADI)		-	-	2	-	4	-	-	8
	PGP0115	Pump housing segment	260	EN-JS-1100 (ADI)		-	-	-	2	-	2	4	-

Gasket for pump housing segment

Position 46

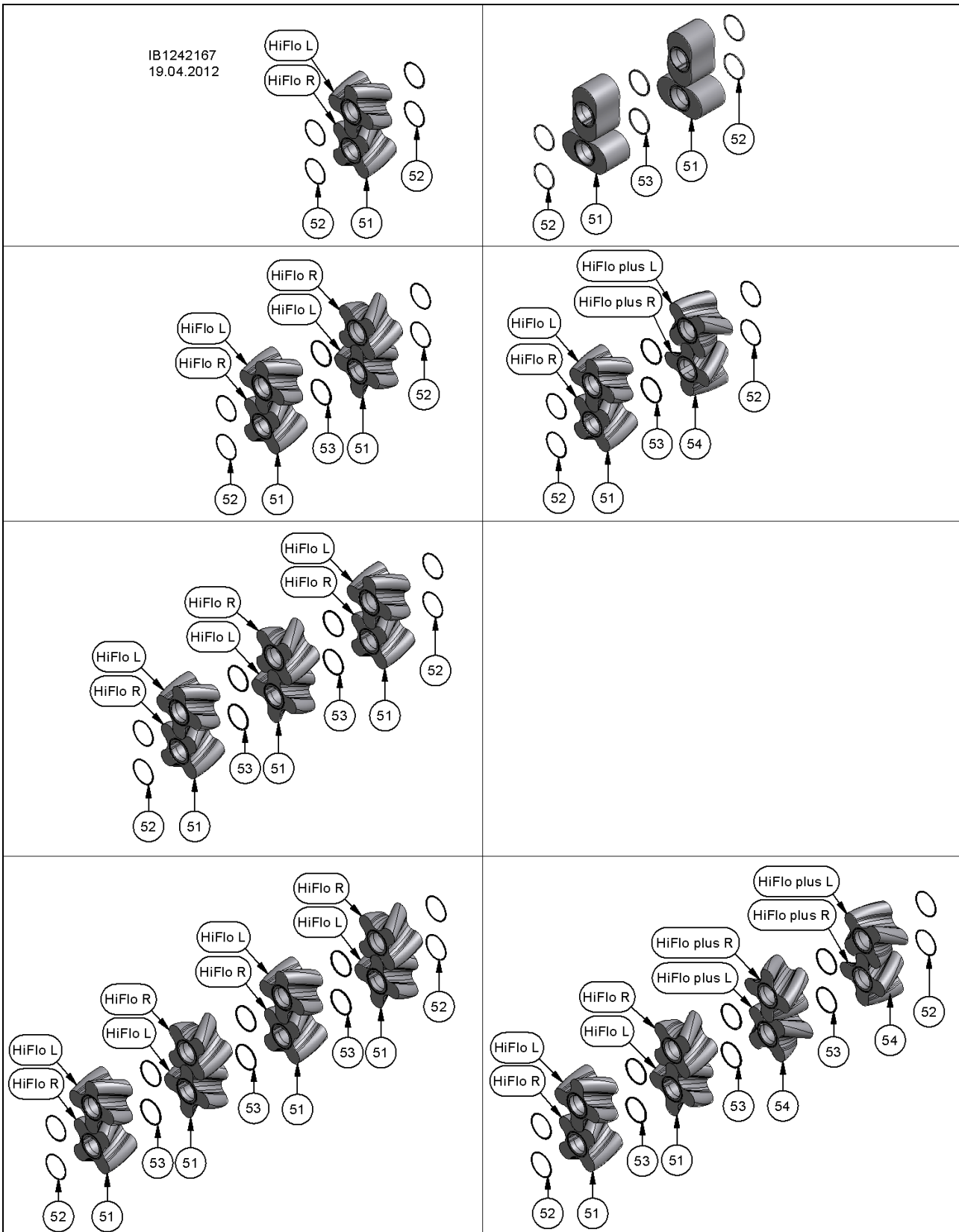
Pos.	Part number	Description	Dimensions	Notes	Rep.	92	130	184	260	368	390	520	736
46	DAD.028	Flat gasket		Asbestos-free		4	4	4	4	6	6	6	10

Bolts and accessories

Position 47-50

Pos.	Part number	Description	Dimensions	Notes	Rep.	92	130	184	260	368	390	520	736
47	NUS.005	Washer	A 13 x 24 x 2,5	DIN 125		48	48	48	48	-	-	-	-
48	NMK.002	Hexagon nut	M12	Self-locking		32	32	32	32	8	8	8	8
	NMK.019	Hexagon nut	M12	DIN 6331		-	-	-	-	24	24	24	24
49	NSP.022	Spring pin	16 x 50	DIN 7346		4	4	4	4	4	4	4	4
50	NSK.176	Hexagon head bolt	M12 x 75	DIN 931		10	10	10	10	-	-	-	-

Rotary lobes
Position 51-54



HiFlo

HiFlo SBR

Pos.	Part number	Description	Dimensions	Notes	Rep.	92	130	184	260	368	390	520	736
51	PKD.A040.TL	Rotary lobe	92; 4K45L HiFlo	SBR		1	-	-	-	-	-	-	-
	PKD.A040.TR	Rotary lobe	92; 4K45L HiFlo	SBR		1	-	-	-	-	-	-	-
	PKD.A031.TL	Rotary lobe	130; 4K45L HiFlo	SBR		-	1	-	2 (1)	-	3	4 (2)	-
	PKD.A031.TR	Rotary lobe	130; 4K45R HiFlo	SBR		-	1	-	2 (1)	-	3	4 (2)	-
	PKD.A025.TL	Rotary lobe	184; 4K45L HiFlo	SBR		-	-	1	-	2 (1)	-	-	4 (2)
	PKD.A025.TR	Rotary lobe	184; 4K45R HiFlo	SBR		-	-	1	-	2 (1)	-	-	4 (2)
54		Rotary lobe	130; 4K45L HiFloplus	SBR70		-	-	-	(1)	-	-	(2)	-
		Rotary lobe	130; 4K45R HiFloplus	SBR70		-	-	-	(1)	-	-	(2)	-
		Rotary lobe	184; 4K45L HiFloplus	SBR70		-	-	-	-	(1)	-	-	(2)
		Rotary lobe	184; 4K45R HiFloplus	SBR70		-	-	-	-	(1)	-	-	(2)

HiFlo NBR

Pos.	Part number	Description	Dimensions	Notes	Rep.	92	130	184	260	368	390	520	736
51		Rotary lobe	130; 4K45L HiFlo	NBR white		-	1	-	2	-	3	4	-
		Rotary lobe	130; 4K45R HiFlo	NBR white		-	1	-	2	-	3	4	-
	PKD0029	Rotary lobe	184; 4K45L HiFlo	NBR white		-	-	1	-	2	-	-	4
	PKD0030	Rotary lobe	184; 4K45R HiFlo	NBR white		-	-	1	-	2	-	-	4
51	PKD.A039.TL	Rotary lobe	92; 4K45L HiFlo	NBR		1	-	-	-	-	-	-	-
	PKD.A039.TR	Rotary lobe	92; 4K45L HiFlo	NBR		1	-	-	-	-	-	-	-
	PKD.A030.TL	Rotary lobe	130; 4K45L HiFlo	NBR		-	1	-	2 (1)	-	3	4 (2)	-
	PKD.A030.TR	Rotary lobe	130; 4K45R HiFlo	NBR		-	1	-	2 (1)	-	3	4 (2)	-
	PKD.A024.TL	Rotary lobe	184; 4K45L HiFlo	NBR		-	-	1	-	2 (1)	-	-	4 (2)
	PKD.A024.TR	Rotary lobe	184; 4K45R HiFlo	NBR		-	-	1	-	2 (1)	-	-	4 (2)
54	PKD0019	Rotary lobe	130; 4K45L HiFloplus	NBR		-	-	-	(1)	-	-	(2)	-
	PKD0020	Rotary lobe	130; 4K45R HiFloplus	NBR		-	-	-	(1)	-	-	(2)	-
	PKD0017	Rotary lobe	184; 4K45L HiFloplus	NBR		-	-	-	-	(1)	-	-	(2)
	PKD0018	Rotary lobe	184; 4K45R HiFloplus	NBR		-	-	-	-	(1)	-	-	(2)

HiFlo EPDM

Pos.	Part number	Description	Dimensions	Notes	Rep.	92	130	184	260	368	390	520	736
51	PKD.A047.TL	Rotary lobe	92; 4K45L HiFlo	EPDM-SL		1	-	-	-	-	-	-	-
	PKD.A047.TR	Rotary lobe	92; 4K45L HiFlo	EPDM-SL		1	-	-	-	-	-	-	-
	PKD.A048.TL	Rotary lobe	130; 4K45L HiFlo	EPDM-SL		-	1	-	2 (1)	-	3	4 (2)	-
	PKD.A048.TR	Rotary lobe	130; 4K45R HiFlo	EPDM-SL		-	1	-	2 (1)	-	3	4 (2)	-
	PKD.A049.TL	Rotary lobe	184; 4K45L HiFlo	EPDM-SL		-	-	1	-	2 (1)	-	-	4 (2)
	PKD.A049.TR	Rotary lobe	184; 4K45R HiFlo	EPDM-SL		-	-	1	-	2 (1)	-	-	4 (2)
54	PKD0050	Rotary lobe	130; 4K45L HiFloplus	EPDM-SL		-	-	-	(1)	-	-	(2)	-
	PKD0051	Rotary lobe	130; 4K45R HiFloplus	EPDM-SL		-	-	-	(1)	-	-	(2)	-
	PKD0031	Rotary lobe	184; 4K45L HiFloplus	EPDM-SL		-	-	-	-	(1)	-	-	(2)
	PKD0032	Rotary lobe	184; 4K45R HiFloplus	EPDM-SL		-	-	-	-	(1)	-	-	(2)

() quantity for HiFlo plus

HiFlo FPM

Pos.	Part number	Description	Dimensions	Notes	Rep.	92	130	184	260	368	390	520	736
51	PKD.A044.TL	Rotary lobe	92; 4K45L HiFlo	FPM ⁽¹⁾		1	-	-	-	-	-	-	-
	PKD.A044.TR	Rotary lobe	92; 4K45L HiFlo	FPM ⁽¹⁾		1	-	-	-	-	-	-	-
	PKD.A034.TL	Rotary lobe	130; 4K45L HiFlo	FPM ⁽¹⁾		-	1	-	2 (1)	-	3	4 (2)	-
	PKD.A034.TR	Rotary lobe	130; 4K45R HiFlo	FPM ⁽¹⁾		-	1	-	2 (1)	-	3	4 (2)	-
	PKD.A028.TL	Rotary lobe	184; 4K45L HiFlo	FPM ⁽¹⁾		-	-	1	-	2 (1)	-	-	4 (2)
	PKD.A028.TR	Rotary lobe	184; 4K45R HiFlo	FPM ⁽¹⁾		-	-	1	-	2 (1)	-	-	4 (2)
54		Rotary lobe	130; 4K45L HiFloplus	FPM ⁽¹⁾		-	-	-	(1)	-	-	(2)	-
		Rotary lobe	130; 4K45R HiFloplus	FPM ⁽¹⁾		-	-	-	(1)	-	-	(2)	-
		Rotary lobe	184; 4K45L HiFloplus	FPM ⁽¹⁾		-	-	-	-	(1)	-	-	(2)
		Rotary lobe	184; 4K45R HiFloplus	FPM ⁽¹⁾		-	-	-	-	(1)	-	-	(2)

⁽¹⁾ max. 6 bar [87 psi], please pay attention to the admissible pressure of pump!

HiFlo WEROBUST

Pos.	Part number	Description	Dimensions	Notes	Rep.	92	130	184	260	368	390	520	736
51	PKD.A041.TL	Rotary lobe	92; 4K45L HiFlo	WEROBUST ⁽²⁾		1	-	-	-	-	-	-	-
	PKD.A041.TR	Rotary lobe	92; 4K45L HiFlo	WEROBUST ⁽²⁾		1	-	-	-	-	-	-	-
	PKD.A032.TL	Rotary lobe	130; 4K45L HiFlo	WEROBUST ⁽²⁾		-	1	-	2 (1)	-	3	4 (2)	-
	PKD.A032.TR	Rotary lobe	130; 4K45R HiFlo	WEROBUST ⁽²⁾		-	1	-	2 (1)	-	3	4 (2)	-
	PKD.A026.TL	Rotary lobe	184; 4K45L HiFlo	WEROBUST ⁽²⁾		-	-	1	-	2 (1)	-	-	4 (2)
	PKD.A026.TR	Rotary lobe	184; 4K45R HiFlo	WEROBUST ⁽²⁾		-	-	1	-	2 (1)	-	-	4 (2)
54		Rotary lobe	130; 4K45 HiFloplus	WEROBUST ⁽²⁾		-	-	-	(1)	-	-	(2)	-
		Rotary lobe	130; 4K45 HiFloplus	WEROBUST ⁽²⁾		-	-	-	(1)	-	-	(2)	-
	PKD0064	Rotary lobe	184; 4K45 HiFloplus	WEROBUST ⁽²⁾		-	-	-	-	(1)	-	-	(1)
	PKD0065	Rotary lobe	184; 4K45 HiFloplus	WEROBUST ⁽²⁾		-	-	-	-	(1)	-	-	(1)

⁽²⁾ Attention! Usable up to 50°C medium temperature, only!

() quantity for HiFlo plus

Rotary lobes; bi-lobe

Pos.	Part number	Description	Dimensions	Notes	Rep.	92	130	184	260	368	390	520	736
51	PKD.A002	Rotary lobe, bi-lobe	92	SBR		2	-	4	-	-	-	-	-
	PKD.A001	Rotary lobe, bi-lobe	130	SBR		-	2	-	4	-	-	-	-
	PKD.A004	Rotary lobe, bi-lobe	92	NBR		2	-	4	-	-	-	-	-
	PKD.A003	Rotary lobe, bi-lobe	130	NBR		-	2	-	4	-	-	-	-
	PKD.A004.W	Rotary lobe, bi-lobe	92	NBR white		2	-	4	-	-	-	-	-
	PKD.A003.W	Rotary lobe, bi-lobe	130	NBR white		-	2	-	4	-	-	-	-
	PKD.A006.SL	Rotary lobe, bi-lobe	92	EPDM-SL		2	-	4	-	-	-	-	-
	PKD.A005.SL	Rotary lobe, bi-lobe	130	EPDM-SL		-	2	-	4	-	-	-	-
	PKD.A006.W	Rotary lobe, bi-lobe	92	EPDM white		2	-	4	-	-	-	-	-
	PKD.A005.W	Rotary lobe, bi-lobe	130	EPDM white		-	2	-	4	-	-	-	-
	PKD.A008	Rotary lobe, bi-lobe	92	FPM ⁽¹⁾		2	-	4	-	-	-	-	-
	PKD.A007	Rotary lobe, bi-lobe	130	FPM ⁽¹⁾		-	2	-	4	-	-	-	-
	PKD.A009	Rotary lobe, bi-lobe	92	WEROBUST ⁽²⁾		2	-	4	-	-	-	-	-
PKD.A010	Rotary lobe, bi-lobe	130	WEROBUST ⁽²⁾		-	2	-	4	-	-	-	-	
51	PKD.A011.N1	Rotary lobe, bi-lobe ⁽³⁾	92	1.0503 nitrided (C45)		2	-	4	-	-	-	-	-
	PKD.A012.N1	Rotary lobe, bi-lobe ⁽³⁾	130	1.0503 nitrided (C45)		-	2	-	4	-	-	-	-

⁽¹⁾ max. 6 bar [87 psi], please pay attention to the admissible pressure of pump!

⁽²⁾ Attention! Usable up to 50°C medium temperature, only!

⁽³⁾ + O-ring for solid material lobe

**Solid material rotary lobes
HiFlo**

Pos.	Part number	Description	Dimensions	Notes	Rep.	92	130	184	260	368	390	520	736
51	PKD A035.N1.TL	Rotary lobe ⁽³⁾	92; 4K45L HiFlo	1.0503 nitrided (C45)		1	-	-	-	-	-	-	-
	PKD A035.N1.TR	Rotary lobe ⁽³⁾	92; 4K45L HiFlo	1.0503 nitrided (C45)		1	-	-	-	-	-	-	-
	PKD A036.N1.TL	Rotary lobe ⁽³⁾	130; 4K45L HiFlo	1.0503 nitrided (C45)		-	1	-	2 (1)	-	3	4 (2)	-
	PKD A036.N1.TR	Rotary lobe ⁽³⁾	130; 4K45R HiFlo	1.0503 nitrided (C45)		-	1	-	2 (1)	-	3	4 (2)	-
	PKD.A037.N1.TL	Rotary lobe ⁽³⁾	184; 4K45L HiFlo	1.0503 nitrided (C45)		-	-	1	-	2 (1)	-	-	4 (2)
	PKD.A037.N1.TR	Rotary lobe ⁽³⁾	184; 4K45R HiFlo	1.0503 nitrided (C45)		-	-	1	-	2 (1)	-	-	4 (2)
54	PKD0203	Rotary lobe ⁽³⁾	130; 4K45L HiFloplus	1.0503 nitrided C45)		-	-	-	(1)	-	-	(2)	-
	PKD0204	Rotary lobe ⁽³⁾	130; 4K45R HiFloplus	1.0503 nitrided (C45)		-	-	-	(1)	-	-	(2)	-
	PKD0042	Rotary lobe ⁽³⁾	184; 4K45L HiFloplus	1.0503 nitrided (C45)		-	-	-	-	(1)	-	-	(2)
	PKD0043	Rotary lobe ⁽³⁾	184; 4K45R HiFloplus	1.0503 nitrided (C45)		-	-	-	-	(1)	-	-	(2)

⁽³⁾ + O-ring for solid material lobe

() quantity for HiFlo plus

O-ring for solid material rotary lobes

Pos.	Part number	Description	Dimensions	Notes	Rep.	92	130	184	260	368	390	520	736
52	DOR.085	O-ring ⁽⁵⁾	104 x 3	NBR		4	4	4	4	4	4	4	4
	DOR.085.EP	O-ring ⁽⁵⁾	104 x 3	EPDM									
	DOR.085.VI	O-ring ⁽⁵⁾	104 x 3	FPM									
	DOR.085.PT	O-ring ⁽⁵⁾	104 x 3	Silikon FEP coated									
53	DOR.163	O-ring ⁽⁵⁾	103 x 5	NBR		-	-	0 2 ⁽⁹⁾	2	2	4	6	6
	DOR.163.EP	O-ring ⁽⁵⁾	103 x 5	EPDM									
	DOR.163.VI	O-ring ⁽⁵⁾	103 x 5	FPM									
	DOR.163.PT	O-ring ⁽⁵⁾	103 x 5	Silikon FEP coated									

⁽⁵⁾ for solid material lobes

⁽⁹⁾ quantity for rotary lobe bi-lobe

Preload

Position 52-56

Pos.	Part number	Description	Dimensions	Notes	Rep.	92	130	184	260	368	390	520	736
55	NTF.003	Spring washer	100 x 51 x 6			2	2	2	2	2	2	2	2
56	PRS.102	Strain bolt	M16			2	2	2	2	2	2	2	2

Cover flange

Position 57-77

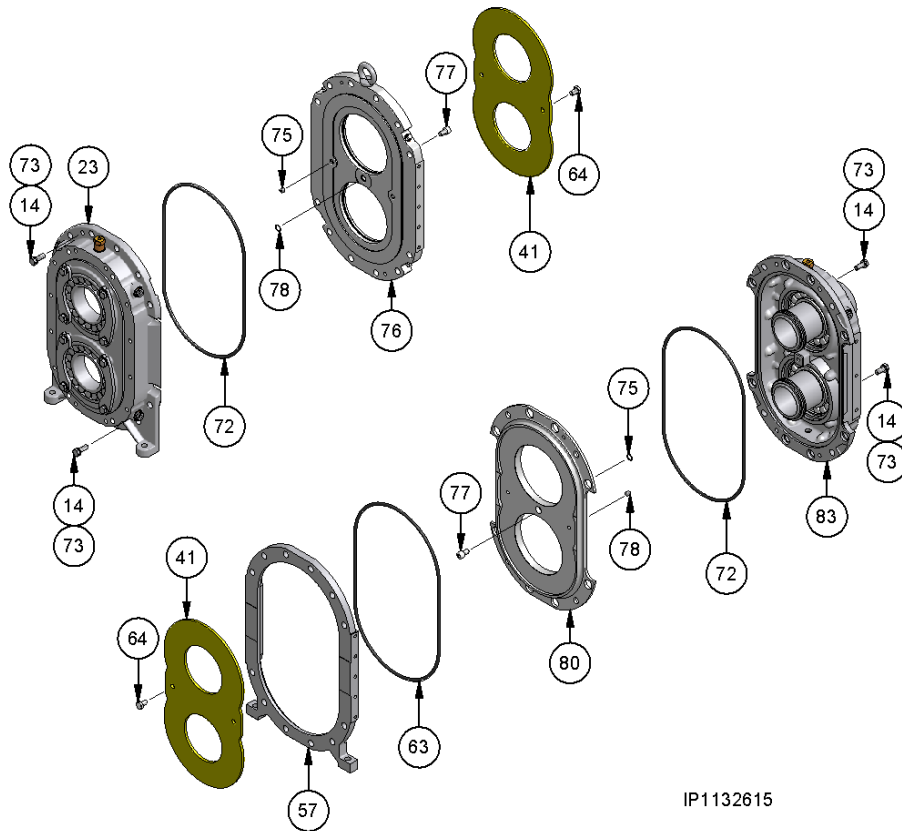
Pos.	Part number	Description	Dimensions	Notes	Rep.	92	130	184	260	368	390	520	736
57	PGP.A005.T2	Cover flange				1	1	1	1	1	1	1	1
58	NKS.006	Lifting eye bolt	M 12			1	1	1	1	1	1	1	1
59	NSP.024	Spring pin	16 x 26			4	4	4	4	8	8	8	16
60	ZNGS.095.0500	Threaded rod	M 12 x 500	DIN 976		-	-	-	-	12	-	-	-
	ZNGS.095.0530	Threaded rod	M 12 x 530	DIN 976		-	-	-	-	-	12	-	-
	ZNGS.095.0640	Threaded rod	M 12 x 640	DIN 976		-	-	-	-	-	-	12	-
	ZNGS.095.0870	Threaded rod	M 12 x 870	DIN 976		-	-	-	-	-	-	-	12
61	NMS.004	Hexagon nut	M 12	DIN 934		-	-	-	-	2	2	2	2
62	NSK.217	Hexagon head bolt	M 12 x 75	DIN 933		10	10	10	10	-	-	-	-
61	NMS.002	Hexagon nut	M8	DIN 934-8		6	6	6	6	6	6	6	6
63	DOR.052	O-ring	368 x 6	NBR		1	1	1	1	1	1	1	1
	DOR.052.EP	O-ring	368 x 6	EPDM									
	DOR.052.VI	O-ring	368 x 6	FPM									
	DOR.052.PT	O-ring	368 x 6	Silicone FEP coated									
64	NSK.025.EE	Hexagon head bolt	M 10 x 16			4	4	4	4	4	4	4	4
65	NSK.133	Hexagon head bolt	M 12 x 90	DIN 933		2	2	2	2	-	-	-	-
67	NSK.080	Screw plug	M10 x 1	Motor shaft		4	4	4	4	4	4	4	4
	NKS.001	Grease nipple	M10 x 1	PTO shaft									
68	DKR.001	Copper ring	C 10 x 16 x 1	Motor shaft		4	4	4	4	4	4	4	4
	BKA.001	Grease nipple cap		PTO shaft									

Buffer chamber enlargement

Position 74

Pos.	Part number	Description	Dimensions	Notes	Rep.	92	130	184	260	368	390	520	736
74	PSG.014	Buffer fluid tank		Pressurized		2	2	2	2	2	2	2	2
	PSG.014.T1	Quenching fluid tank		Ventilated (option)									
	PSV.002.N1	Pressure valve		(Option)									

Option: Intermediate flange
Position 72-73 + 75-78 + 80



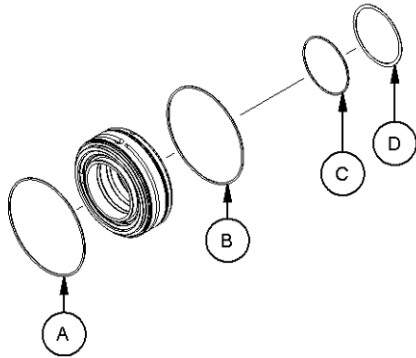
IP1132615

Pos.	Part number	Description	Dimensions	Notes	Rep.	92	130	184	260	368	390	520	736
72	DOR.052	O-ring	368 x 6	NBR		2							
	DOR.052.VI	O-ring	368 x 6	FPM									
73	NUS.004	Washer	A 10,5 x 20 x 2 mm	DIN 125		4							
75	NSK0145	Hexagon head bolt	M 10 x 10	DIN 933		4							
76	PGP.A021.N1	Intermediate flange				1							
	PFL.A021	Flame-cut part				1							
77	NSI.096.EE	Cylinder head bolt	M10 x 18	DIN 912		2							
78	DOR.040	O-ring	12 x 2	NBR									
	DOR.040.EP	O-ring	12 x 2	EPDM		2	2	2	2	2	2	2	2
	DOR.040.VI	O-ring	12 x 2	FPM									
	DOR.040.PT	O-ring	12 x 2	Silicone FEP coated									
80	PGP.A021.N1.T1	Intermediate flange		1.0577		1							
	PFL.A021	Flame-cut part				1							

Cartridge mechanical seal
Pos. 79

Pos.	Part number	Description	Dimensions	Notes	Rep.	92	130	184	260	368	390	520	736
Stahl nitriert													
79	PBT.A002	Cartridge mechanical seal		SiSiC / HNBR									
	PBT.A003			SiSiC / FPM									
	PBT.A004			Duronit ⁽⁴⁾ / HNBR									
	PBT.A005			Duronit ⁽⁴⁾ / FPM									
	PBT.A008			SiSiC / EPDM									
	PBT.A012	Cartridge Block ring Single-mechanical seal		SiSiC / HNBR		4	4	4	4	4	4	4	4
	PBT.A013			SiSiC / FPM									
	PBT.A014			Carbone / HNBR									
	PBT.A015			Carbone / FPM									
	PBT.A016			Carbone / EPDM									
	PBT.A021			Duronit ⁽⁴⁾ / HNBR									
	PBT.A036			Duronit ⁽⁴⁾ / FPM									

⁽⁴⁾ up to 10 bar [145 psi] real operating pressure



"Loose parts" for Cartridge mechanical seal

Quantity per cartridge

Pos.	Part number	Description	Dimensions	Notes	Qty.
A	DOR.027	O-ring	144 x 3	NBR	1
	DOR.027.VI	O-ring	144.5 x 3	FPM	
B	DOR.027	O-ring	144 x 3	NBR	2
	DOR.027.EP	O-ring	144.5 x 3	EPDM	
	DOR.027.VI	O-ring	144.5 x 3	FPM	
	DOR.027.PT	O-ring	144 x 3	Silicone FEP coated	
C	DOR.044	O-ring	85 x 2.5	NBR	1
	DOR.044.VI	O-ring	85 x 2.5	FPM	
D	NUS.044	Shim	94.5 x 85.5 x 0.75		1

These positions are contained in the Cartridge mechanical seal as "loose parts".

Bearing seal housing + accessories
Position 81-95

Pos.	Part number	Description	Dimensions	Notes	Rep.	92	130	184	260	368	390	520	736
81	PRS0789	Sleeve				2	2	2	2	2	2	2	2
82	NLG.028.N1.T1	Cylindrical roller bearing	NU 2217E.TVP2.C3			2	2	2	2	2	2	2	2
83	PGP.A018.T7	Bearing seal housing				1	1	1	1	1	1	1	1
	PGP.A018.T8	Bearing seal housing		Option: intermediate flange									
84	NPF0003 *	Fitting key	A; 10 x 8 x 25	From 04/2009 up (shaft with positive lock)		2	2	2	2	2	2	2	2
85	PRS0792 *	Spring pin		From 04/2009 up (shaft with inner ring pos. 92)		2	2	2	2	2	2	2	2
	PRS0791*	Spring pin		Until 12/2008 (shaft without inner ring)									
86	PGP.A037	Bearing cover		Closed		2	2	2	2	2	2	2	2
87	NSR.037	Multi-disc ring	72 x 4,1 x 0,82			2	2	2	2	2	2	2	2
88	NTF.002	Spring washer	71 x 36 x 4	DIN 2039		6	6	6	6	6	6	6	6
89	NSK.002	Hexagon head bolt	M10 x 35			4	4	4	4	4	4	4	4
90	NUS.004	Washer	10,5 x 20 x 2	DIN 125		8	8	8	8	8	8	8	8
91	PRS0766 *	Pressure disk				2	2	2	2	2	2	2	2
92	NIR.021*	Inner ring		From 04/2009 up (shaft with inner ring)		2	2	2	2	2	2	2	2

* For a production date of 01/2009 to 03/2009 for spare parts, please contact Vogelsang.

93	NSR.036	Retaining ring	AS 85 x 3	DIN 471		2	2	2	2	2	2	2	2
94	PRS.A036	O-ring-carrier				2	2	2	2	2	2	2	2
95	DOR.045	O-ring	92 x 4	NBR		2	2	2	2	2	2	2	2
	DOR.045.VI	O-ring	92 x 4	FPM									

Accessories
Pos. 96-103

Pos.	Part number	Description	Dimensions	Notes	Rep.	92	130	184	260	368	390	520	736
96	PFL.A025	Lifting lug				1	1	1	1	1	1	1	1
97	DOR.050	O-ring	150 x 3	NBR		2	2	2	2	2	2	2	2
	DOR.050.VI	O-ring	150 x 3	FPM									
98	NSP.015	Dowel pin	16 x 36	DIN 7346		4	4	4	4	4	4	4	4
102	NSK0106	Screw plug	M 30 x 1,5	DIN 910-1		2	2	2	2	2	2	2	2
103	DKR0003	Copper ring	A; 30 x 36 x 2			2	2	2	2	2	2	2	2

Temperature sensor
Pos. 120-122

Pos.	Part number	Description	Dimensions	Notes	Rep.	92	130	184	260	368	390	520	736
120	SSS.073.N1	Temperature sensor	PT100			2	2	2	2	2	2	2	2
121	RFL.489	Holder				1	1	1	1	1	1	1	1
122	NSK.035	Hexagon head bolt	M12 x 80	DIN 931		2	2	2	2	-	-	-	-

Tools

Pos.	Part number	Description	Dimensions	Notes	Rep.	92	130	184	260	368	390	520	736
	PBA.A001.T1	Lobe puller	92-260			x	x	x	x	-	-	-	-
	PBA.A001.T2	Lobe puller	368-390			-	-	-	-	x	x	-	-
	PBA.A001.T3	Lobe puller	520-736			-	-	-	-	-	-	x	x
	PBA.A011	Assembly tool		Radial shaft seal ring (DWD.049)									
	PBA.A012	Assembly tool		Inner ring (NIR.014)									
	PBA.A015	Assembly tool		Bearing seal housing (PGP.A018.T2)									
Cartridge mechanical seal:													
	PBA0009	Tool set		Cartridge mechanical seal									
	WKZ0457	Disassembly tool Cartridge mechanical seal		Included in PBA0009									
	PBA.A014.T1	Tool		Included in WKZ0457								(1)	
	NSI.057	Cylinder head bolt	M 6 x 16										(2)
	NSK.155	Hexagon nut	M 8 x 80										(3)
Component mechanical seal:													
	PBA.A010	Assembly tool		Mechanical seal ring support (PRS.A026.N1.T1)									
	PBA.A006.N1	Assembly tool		Mechanical seal (DGL.A013)									
	PBA.A033.T1	Multi-purpose tool	→ 92Q-260Q → 92QD	Cartridge mechanical seal + rotary lobe		x	-	-	-	-	-	-	-
	PBA.A033.T2	Multi-purpose tool	→ 130QD-368QD	Cartridge mechanical seal + rotary lobe		-	x	x	x	x	-	-	-

Material for connectors

Pos.	Part number	Description	Dimensions	Notes	Rep.	92	130	184	260	368	390	520	736
	NSK.001	Hexagon head bolt	M10 x 30	DIN 933		24	28	32	36	44	44	52	68
	NSK.004	Hexagon head bolt	M10 x 45	DIN 933 (high pressure)		24	28	32	36	44	44	52	68
	NUS.004	Washer	A 10,5 x 20 x 2	DIN 125		24	28	32	36	44	44	52	68
	PFL.120	Flange	92			2	-	-	-	-	-	-	-
	PFL.121	Flange	130			-	2	-	-	-	-	-	-
	PFL.122	Flange	184			-	-	2	-	-	-	-	-
	PFL.123	Flange	260			-	-	-	2	-	-	-	-
	PFL.139	Flange	368			-	-	-	-	2	-	-	-
	PFL.148	Flange	390			-	-	-	-	-	2	-	-
	PFL.136	Flange	520			-	-	-	-	-	-	2	-
	PFL.160	Flange	736			-	-	-	-	-	-	-	2
	DFD.070.P	Flange gasket	92			2	-	-	-	-	-	-	-
	DFD.071.P	Flange gasket	130			-	2	-	-	-	-	-	-
	DFD.072.P	Flange gasket	184			-	-	2	-	-	-	-	-
	DFD.073.P	Flange gasket	260			-	-	-	2	-	-	-	-
	DFD.074.P	Flange gasket	368			-	-	-	-	2	-	-	-
	DFD.104.P	Flange gasket	390			-	-	-	-	-	2	-	-
	DFD.088.P	Flange gasket	520			-	-	-	-	-	-	2	-
	DFD.105.P	Flange gasket	736			-	-	-	-	-	-	-	2

Required spare parts for rotary lobe change

Pos.	Part number	Description	Dimensions	Notes	Rep.	92	130	184	260	368	390	520	736
21	NPF.040	Fitting key	B 22 x 14 x 50	DIN 6885		2	-	-	-	-	-	-	-
	NPF.041	Fitting key	B 22 x 14 x 70	DIN 6885		-	-	-	-	-	2	-	-
	NPF.042	Fitting key	B 22 x 14 x 90	DIN 6885		-	2	-	-	-	-	-	-
	NPF.043	Fitting key	B 22 x 14 x 100	DIN 6885		-	-	-	-	2	-	4	4
	NPF.044	Fitting key	B 22 x 14 x 140	DIN 6885		-	-	2	-	-	4	4	4
	NPF.045	Fitting key	B 22 x 14 x 220	DIN 6885		-	-	-	2	2	-	-	2
51-54		Rotary lobe		See page 10 and following									
56	PRS.102	Strain bolt	M16			2	2	2	2	2	2	2	2
63	DOR.052	O-ring	368 x 6	NBR		1	1	1	1	1	1	1	1
	DOR.052.EP	O-ring	368 x 6	EPDM									
	DOR.052.VI	O-ring	368 x 6	FPM									
	DOR.052.PT	O-ring	368 x 6	Silicone FEP coated									
95	DOR.045	O-ring	92 x 4	NBR		2	2	2	2	2	2	2	2
	DOR.045.VI	O-ring	92 x 4	FPM									

⁽⁵⁾ for solid material lobes
⁽⁹⁾ quantity for rotary lobe bi-lobe

Necessary spare parts for Cartridge mechanical seal change

Pos.	Part number	Description	Dimensions	Notes	Rep.	92	130	184	260	368	390	520	736
39	DOR.044	O-ring	85 x 2,5; NBR	QD cover		2	2	2	2	2	2	2	2
	DOR.044.VI	O-ring	85 x 2,5; FPM										
56	PRS.102	Strain bolt	M16			2	2	2	2	2	2	2	2
63	DOR.052	O-ring	368 x 6	NBR		1	1	1	1	1	1	1	1
	DOR.052.EP	O-ring	368 x 6	EPDM									
	DOR.052.VI	O-ring	368 x 6	FPM									
	DOR.052.PT	O-ring	368 x 6	Silicone FEP coated									
95	DOR.045	O-ring	92 x 4	NBR		2	2	2	2	2	2	2	2
	DOR.045.VI	O-ring	92 x 4	FPM									

Stahl nitriert

79	PBT.A002	Cartridge mechanical seal		SiSiC / HNBR		4	4	4	4	4	4	4	4
	PBT.A003			SiSiC / FPM									
	PBT.A004			Duronit ⁽⁴⁾ / HNBR									
	PBT.A005			Duronit ⁽⁴⁾ / FPM									
	PBT.A008			SiSiC / EPDM									
	PBT.A012		Cartridge Block ring Single-mechanical seal		SiSiC / HNBR								
	PBT.A013			SiSiC / FPM									
	PBT.A014			Carbone / HNBR									
	PBT.A015			Carbone / FPM									
	PBT.A016			Carbone / EPDM									
	PBT.A021			Duronit ⁽⁴⁾ / HNBR									
	PBT.A036		Duronit ⁽⁴⁾ / FPM										

⁽⁴⁾ up to 10 bar [145 psi] real operating pressure

Necessary spare parts for wear part replacement with Cartridge mechanical seal

Pos.	Part number	Description	Dimensions	Notes	Rep.	92	130	184	260	368	390	520	736	
21	NPF.040	Fitting key	B 22 x 14 x 50	DIN 6885		2	-	-	-	-	-	-	-	
	NPF.041	Fitting key	B 22 x 14 x 70	DIN 6885		-	-	-	-	-	2	-	-	
	NPF.042	Fitting key	B 22 x 14 x 90	DIN 6885		-	2	-	-	-	-	-	-	
	NPF.043	Fitting key	B 22 x 14 x 100	DIN 6885		-	-	-	-	2	-	4	4	
	NPF.044	Fitting key	B 22 x 14 x 140	DIN 6885		-	-	2	-	-	4	4	4	
	NPF.045	Fitting key	B 22 x 14 x 220	DIN 6885		-	-	-	2	2	-	-	2	
39	DOR.044	O-ring	85 x 2,5; NBR	QD cover		2	2	2	2	2	2	2	2	
	DOR.044.VI	O-ring	85 x 2,5; FPM											
41	PFL.A017	Wear plate	6 mm	Tungsten carbide coated		2	2	2	2	2	2	2	2	
	PFL.A017.G1	Wear plate	6 mm											
	PFL.A017.T2	Wear plate	5,7 mm											
46	DAD.028	Flat gasket		Asbestos-free		4	4	4	4	6	6	6	10	
51-54		Rotary lobe		See page 10 and following										
56	PRS.102	Strain bolt	M16			2	2	2	2	2	2	2	2	
63	DOR.052	O-ring	368 x 6	NBR		1	1	1	1	1	1	1	1	
	DOR.052.EP	O-ring	368 x 6	EPDM										
	DOR.052.VI	O-ring	368 x 6	FPM										
	DOR.052.PT	O-ring	368 x 6	Silicone FEP coated										
64	NSK.025.EE	Hexagon head bolt	M 10 x 16			4	4	4	4	4	4	4	4	
95	DOR.045	O-ring	92 x 4	NBR		2	2	2	2	2	2	2	2	
	DOR.045.VI	O-ring	92 x 4	FPM										
Stahl nitriert														
79	PBT.A002	Cartridge mechanical seal		SiSiC / HNBR		4	4	4	4	4	4	4	4	
	PBT.A003			SiSiC / FPM										
	PBT.A004			Duronit ⁽⁴⁾ / HNBR										
	PBT.A005			Duronit ⁽⁴⁾ / FPM										
	PBT.A008			SiSiC / EPDM										
	PBT.A012			SiSiC / HNBR										
	PBT.A013	SiSiC / FPM												
	PBT.A014	Carbone / HNBR												
	PBT.A015	Carbone / FPM												
	PBT.A016	Carbone / EPDM												
	PBT.A021	Duronit ⁽⁴⁾ / HNBR												
	PBT.A036	Duronit ⁽⁴⁾ / FPM												
97	DOR.050	O-ring	150 x 3	NBR		2	2	2	2	2	2	2	2	
	DOR.050.VI	O-ring	150 x 3	FPM										

⁽⁴⁾ up to 10 bar [145 psi] real operating pressure

VOGELSANG



Hugo Vogelsang Maschinenbau GmbH

Holthöge 10-14
49632 Essen/Oldb.

Phone: +49 (0) 54 34 83 0
Fax: +49 (0) 54 34 83 10

vogelsang-gmbh.com
info@vogelsang-gmbh.com

ENGINEERED TO WORK

Australien
Vogelsang Pty. Ltd.
vogelsang.com.au

Indien
Vogelsang India Private Limited
vogelsangindia.com

Russland
Vogelsang Russland
vogelsang.ru

Brasilien
Vogelsang Brasil Ltda.
vogelsang.com.br

Irland
Vogelsang Ireland
vogelsang.ie

Schweden
Vogelsang Sverige AB
vogelsang.se

China
Vogelsang Mechanical Engineering (Shanghai) Co., Ltd.
vogelsang.com.cn

Italien
Vogelsang Italy Srl
vogelsang-srl.it

Spanien
Vogelsang S.L.
vogelsang.es

Dänemark
Vogelsang A/S
vogelsang-as.dk

Malaysia
Vogelsang Malaysia
vogelsang.info

Südkorea
Vogelsang Korea Co., Ltd.
vogelsang.co.kr

Deutschland - Niederlassung Ost
Vogelsang Lutherstadt Eisleben
vogelsang-gmbh.com

Mexico
Vogelsang De México S.de R.L. de CV
vogelsang.mx

Tschechische Republik
Vogelsang CZ s.r.o.
vogelsang-czech.cz

Finnland
Vogelsang Oy
vogelsang.fi

Polen
Vogelsang Poland Sp. z o.o.
vogelsang.pl

USA
Vogelsang USA Ltd.
vogelsangusa.com

Frankreich
Vogelsang France S.A.R.L.
vogelsang.fr

Österreich
Vogelsang Austria GmbH
vogelsang-austria.at

Großbritannien
Vogelsang Ltd.
vogelsang.co.uk

Rumänien
Vogelsang Romania SRL
vogelsang.ro