

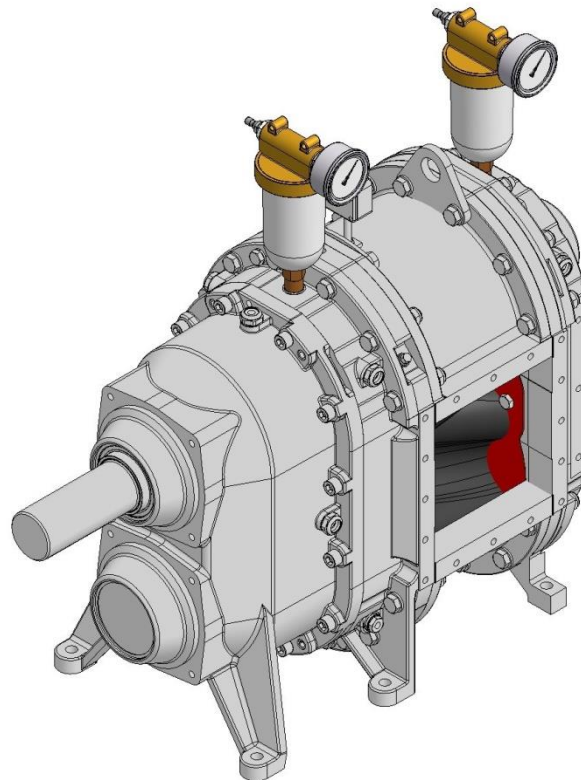


# Spare Parts List

## Explosion-Proof Rotary Lobe Pump

VX186QDVVA

ENGINEERED TO WORK



### **Issuer**

Hugo Vogelsang Maschinenbau GmbH  
Holthöge 10-14  
49632 Essen/Oldb.

Phone: +49 54 34 83 0  
Fax: +49 54 34 83 10

vogelsang-gmbh.com  
info@vogelsang-gmbh.com

In the absence of express, written authorisation from the issuer, the reproduction or partial reproduction of this document in any form is prohibited.

We reserve the right to make technical modifications to the diagrams and information presented in this document in the event that such modifications become necessary for the enhancement of the machine.

© 2014 Hugo Vogelsang Maschinenbau GmbH

### **Registered trademarks of Vogelsang**

Vogelsang, Vogelsang Logo, RotaCut, HiFlo, ACC, CFC, BioCrack, XTill, EnergyJet and BioCut are registered trademarks of Hugo Vogelsang Maschinenbau GmbH.

The registered trademarks are not always designated with an ® symbol in this document.

**Contents**

**Exploded view** .....4

**Gearbox housing and accessories** .....5

    Position 1-16 .....5

**PTO shaft** .....5

    Position 17-19 .....5

**Motor shaft**.....6

    Position 17-19 .....6

**Fitting key** .....6

    Position 1-15 .....6

**Bearing seal housing + accessories** .....6

    Positions 22-26 + 38-39.....6

**Wear plate** .....7

    Position 41 .....7

**Pump housing segment**.....7

    Position 44 .....7

**Gasket for pump housing segment** .....7

    Position 46 .....7

**Bolts and accessories** .....7

    Position 47-50 .....7

**Rotary lobes** .....8

    Position 51-54 .....8

**HiFlo** .....9

**Rotary lobes; bi-lobe**.....11

**Solid material rotary lobes** .....11

**O-ring for solid material rotary lobes** .....11

    Position 52-53 .....11

**Preload**.....12

    Position 55-56 .....12

**Cover flange** .....12

    Position 57-77 .....12

**Buffer chamber enlargement** .....12

    Position 74 .....12

**Intermediate flange** .....12

    Position 72-73 + 75-78 .....12

**Cartridge mechanical seal**.....13

    Pos. 79.....13

**"Loose parts" for Cartridge mechanical seal** .....13

**Bearing seal housing + accessories** .....14

    Position 79-95 .....14

**Accessories**.....14

    Pos. 96-103.....14

**Temperature sensor**.....14

    Pos. 120-122.....14

**Tools**.....15

**Material for connectors**.....16

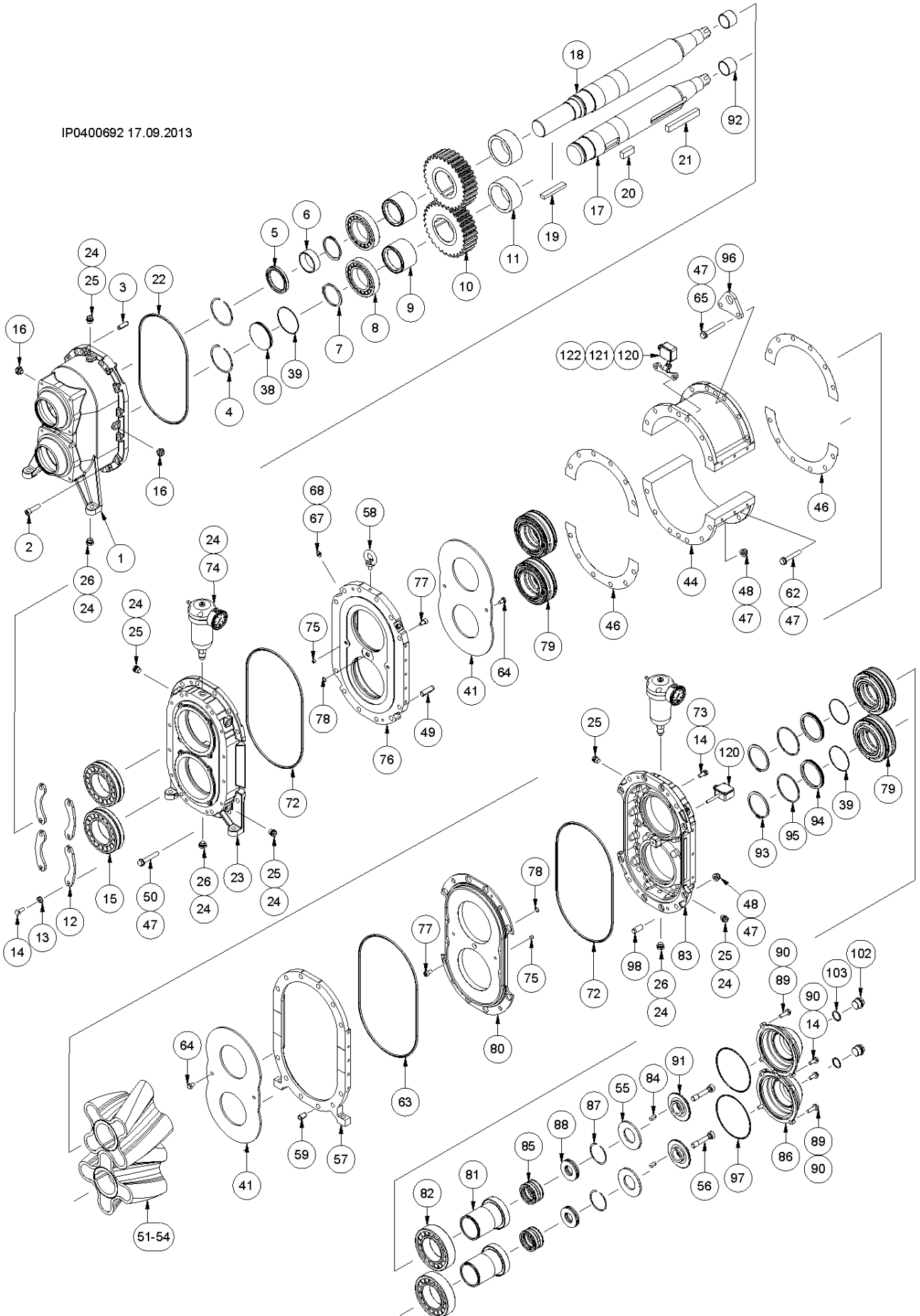
**Required spare parts for rotary lobe change**.....17

**Necessary spare parts for Cartridge mechanical seal change** .....17

**Necessary spare parts for wear part replacement with Cartridge mechanical seal** .....18

Exploded view

IP0400692 17.09.2013



**Gearbox housing and accessories**

**Position 1-16**

Pos.	Part number	Description	Dimensions	Notes	Rep.	92	130	184	260	368	390	520	736
1	PGP.A019.T3	Gear box housing				1	1	1	1	1	1	1	1
2	NSI.091	Cylinder head bolt	M12 x 45	DIN 912		12	12	12	12	12	12	12	12
3	NSP.017	Spring pin	13 x 40	DIN 1481		4	4	4	4	4	4	4	4
	NSP.002	Spring pin	8 x 40	DIN 1481		4	4	4	4	4	4	4	4
4	NSR.027	Multi-disc ring	95 x 5 x 0,98			2	2	2	2	2	2	2	2

**Motor shaft:**

5	DWD.049.HNB	Radial shaft seal ring	72 x 95 x 10	HNBR		1	1	1	1	1	1	1	1
	DWD.049.VI	Radial shaft seal ring	72 x 95 x 10	FPM									
6	NIR.014	Inner ring	JR 65 x 72 x 25			1	1	1	1	1	1	1	1

**PTO shaft**

5	DWD.049.HNB	Radial shaft seal ring	72 x 95 x 10	HNBR		2	2	2	2	2	2	2	2
	DWD.049.VI	Radial shaft seal ring	72 x 95 x 10	FPM									
6	NIR.014	Inner ring	JR 65 x 72 x 25			2	2	2	2	2	2	2	2
7	NSR.011	Retaining ring	AS 75 x 4	DIN 471		2	2	2	2	2	2	2	2
8	NLG.027	Cylindrical roller bearing				2	2	2	2	2	2	2	2
9	PRS.A001.N1	Distance sleeve				2	2	2	2	2	2	2	2
10	PZH.A004	Gear				2	2	2	2	2	2	2	2
11	PRS.A002	Distance sleeve				2	2	2	2	2	2	2	2
12	PFL.A016	Bearing fixing sheet				4	4	4	4	4	4	4	4
13	NUS.066	Lock washer	10,5	DIN 432		8	8	8	8	8	8	8	8
14	NSK.027	Hexagon head bolt	M10 x 25	DIN 933		16	16	16	16	16	16	16	16
15	NLG.025	Spherical roller bearing				2	2	2	2	2	2	2	2
16	PSG.017	Sight glass	M16			2	2	2	2	2	2	2	2

**PTO shaft**

**Position 17-19**

Pos.	Part number	Description	Dimensions	Notes	Rep.	92	130	184	260	368	390	520	736
17/ 18	PWL.A031.N1	PTO shaft	VX186-130-P6-QD			-	2	-	-	-	-	-	-
	PWL.A032.N1	PTO shaft	VX186-184-P6-QD			-	-	2	-	-	-	-	-
	PWL.A033.N1	PTO shaft	VX186-260-P6-QD			-	-	-	2	-	-	-	-
	PWL.A034.N1	PTO shaft	VX186-368-P6-QD			-	-	-	-	2	-	-	-
	PWL.A038.N1	PTO shaft	VX186-390-P6-QD			-	-	-	-	-	2	-	-
	PWL.A035.N1	PTO shaft	VX186-520-P6-QD			-	-	-	-	-	-	2	-
	PWL.A041.N1	PTO shaft	VX186-736-P6-QD			-	-	-	-	-	-	-	2
17/ 18	PWL.A014.N1	PTO shaft	VX186-368-P20-QD			-	-	-	-	2	-	-	-
	PWL.A040.N1	PTO shaft	VX186-390-P20-QD			-	-	-	-	-	2	-	-
	PWL.A039.N1	PTO shaft	VX186-520-P20-QD			-	-	-	-	-	-	2	-

**Motor shaft**  
Position 17-19

Pos.	Part number	Description	Dimensions	Notes	Rep.	92	130	184	260	368	390	520	736
17	PWL0019	Motor shaft	VX186-92-MK-QD	Short		1	-	-	-	-	-	-	-
	PWL.A008.N1	Motor shaft	VX186-130-MK-QD	Short		-	1	-	-	-	-	-	-
	PWL.A009.N1	Motor shaft	VX186-184-MK-QD	Short		-	-	1	-	-	-	-	-
	PWL.A010.N1	Motor shaft	VX186-260-MK-QD	Short		-	-	-	1	-	-	-	-
	PWL.A011.N1	Motor shaft	VX186-368-MK-QD	Short		-	-	-	-	1	-	-	-
	PWL.A037.N1	Motor shaft	VX186-390-MK-QD	Short		-	-	-	-	-	1	-	-
	PWL.A012.N1	Motor shaft	VX186-520-MK-QD	Short		-	-	-	-	-	-	1	-
	PWL.A015.N1	Motor shaft	VX186-736-MK-QD	Short		-	-	-	-	-	-	-	1
18	PWL0018	Motor shaft	VX186-92-M60-QD	Long		1	-	-	-	-	-	-	-
	PWL.A002.N1	Motor shaft	VX186-130-M60-QD	Long		-	1	-	-	-	-	-	-
	PWL.A003.N1	Motor shaft	VX186-184-M60-QD	Long		-	-	1	-	-	-	-	-
	PWL.A004.N1	Motor shaft	VX186-260-M60-QD	Long		-	-	-	1	-	-	-	-
	PWL.A005.N1	Motor shaft	VX186-368-M60-QD	Long		-	-	-	-	1	-	-	-
	PWL.A036.N1	Motor shaft	VX186-390-M60-QD	Long		-	-	-	-	-	1	-	-
	PWL.A006.N1	Motor shaft	VX186-520-M60-QD	Long		-	-	-	-	-	-	1	-
	PWL.A016.N1	Motor shaft	VX186-736-M60-QD	Long		-	-	-	-	-	-	-	1
18	PWL.A008.N1.H	Hollow shaft	VX186-130-MH-QD			-	1	-	-	-	-	-	-
	PWL.A003.N1.H	Hollow shaft	VX186-184-MH-QD			-	-	1	-	-	-	-	-
	PWL.A004.N1.H	Hollow shaft	VX186-260-MH-QD			-	-	-	1	-	-	-	-
	PWL.A005.N1.H	Hollow shaft	VX186-368-MH-QD			-	-	-	-	1	-	-	-
	PWL.A037.N1.H	Hollow shaft	VX186-390-MH-QD			-	-	-	-	-	1	-	-
	PWL.A006.N1.H	Hollow shaft	VX186-520-MH-QD			-	-	-	-	-	-	1	-
	PWL.A015.N1.H	Hollow shaft	VX186-736-MH-QD			-	-	-	-	-	-	-	1

<sup>(7)</sup> for hydraulic motor

**Fitting key**  
Position 1-15

Pos.	Part number	Description	Dimensions	Notes	Rep.	92	130	184	260	368	390	520	736
19	NPF.047	Fitting key	B 18 x 11 x 100	Motor shaft long		1	1	1	1	1	1	1	1
20	NPF.040	Fitting key	B 22 x 14 x 50	DIN 6885		2	2	2	2	2	2	2	2
21	NPF.040	Fitting key	B 22 x 14 x 50	DIN 6885		2	-	-	-	-	-	-	-
	NPF.041	Fitting key	B 22 x 14 x 70	DIN 6885		-	-	-	-	-	2	-	-
	NPF.042	Fitting key	B 22 x 14 x 90	DIN 6885		-	2	-	-	-	-	-	-
	NPF.043	Fitting key	B 22 x 14 x 100	DIN 6885		-	-	-	-	2	-	4	4
	NPF.044	Fitting key	B 22 x 14 x 140	DIN 6885		-	-	2	-	-	4	4	4
	NPF.045	Fitting key	B 22 x 14 x 220	DIN 6885		-	-	-	2	2	-	-	2

**Bearing seal housing + accessories**  
Positions 22-26 + 38-39

Pos.	Part number	Description	Dimensions	Notes	Rep.	92	130	184	260	368	390	520	736
22	DOR.026	O-ring	330 x 6	NBR		1	1	1	1	1	1	1	1
23	PGP.A018.T4	Bearing/seal housing		Stainless steel		1	1	1	1	1	1	1	1
24	DKR.005	Copper ring	C 16 x 22 x 2			10	10	10	10	10	10	10	10
25	NSK.081	Screw plug	M16 x 1,5			5	5	5	5	5	5	5	5
26	NSK.088	Screw plug	M16	Magnetic		3	3	3	3	3	3	3	3
38	PRS.A028	Plug disc		Motor shaft short		1	1	1	1	1	1	1	1
39	DOR.044	O-ring	85 x 2,5; NBR	QD cover		2	2	2	2	2	2	2	2
	DOR.044.VI	O-ring	85 x 2,5; FPM										
39	DOR.044	O-ring	85 x 2,5; NBR	Motor shaft short		1	1	1	1	1	1	1	1
	DOR.044.VI	O-ring	85 x 2,5; FPM										

**Wear plate**  
Position 41

Pos.	Part number	Description	Dimensions	Notes	Rep.	92	130	184	260	368	390	520	736
41	PFL.A017.E	Wear plate		Stainless steel									
	PFL.A017.E.G1	Wear plate		Tungsten carbide coated		2	2	2	2	2	2	2	2
	PFL.A017.E.G2	Wear plate		Plasma hardened									
<b>For wear plate tungsten carbide coated:</b>													
42	DAD.A004	Shim	0.3 mm	PA6 Polyamide		2	2	2	2	2	2	2	2
	DAD.A005	Shim	0.5 mm	PA6 Polyamide		2	2	2	2	2	2	2	2

**Pump housing segment**  
Position 44

Pos.	Part number	Description	Dimensions	Notes	Rep.	92	130	184	260	368	390	520	736
44	PGP.A007.E	Pump housing segment	92	1.4581		2	-	-	-	-	2	-	-
	PGP.A008.E	Pump housing segment	130	1.4581		-	2	-	-	-	2	-	-
	PGP.A009.E	Pump housing segment	184	1.4581		-	-	2	-	4	-	-	8
	PGP.A010.E	Pump housing segment	260	1.4581		-	-	-	2	-	2	4	-
	PGP.A007.E.G1	Pump housing segment	92	Tungsten carbide coated		2	-	-	-	-	2	-	-
	PGP.A008.E.G1	Pump housing segment	130	Tungsten carbide coated		-	2	-	-	-	2	-	-
	PGP.A009.E.G1	Pump housing segment	184	Tungsten carbide coated		-	-	2	-	4	-	-	8
	PGP.A010.E.G1	Pump housing segment	260	Tungsten carbide coated		-	-	-	2	-	2	4	-
	PGP.A007.E.G2	Pump housing segment	92	Plasma hardened		2	-	-	-	-	2	-	-
	PGP.A008.E.G2	Pump housing segment	130	Plasma hardened		-	2	-	-	-	2	-	-
	PGP.A009.E.G2	Pump housing segment	184	Plasma hardened		-	-	2	-	4	-	-	8
	PGP.A010.E.G2	Pump housing segment	260	Plasma hardened		-	-	-	2	-	2	4	-

**Injection S**

44	PGP.A040.E	Pump housing segment	92	1.4581		2	-	-	-	-	-	-	-
	PGP.A041.E	Pump housing segment	130	1.4581		-	2	-	-	-	2	-	-
	PGP.A042.E	Pump housing segment	184	1.4581		-	-	2	-	4	-	-	8
	PGP.A043.E	Pump housing segment	260	1.4581		-	-	-	2	-	2	4	-
	PGP.A040.E.G1	Pump housing segment	92	Tungsten carbide coated		2	-	-	-	-	-	-	-
	PGP.A041.E.G1	Pump housing segment	130	Tungsten carbide coated		-	2	-	-	-	2	-	-
	PGP.A042.E.G1	Pump housing segment	184	Tungsten carbide coated		-	-	2	-	4	-	-	8
	PGP.A043.E.G1	Pump housing segment	260	Tungsten carbide coated		-	-	-	2	-	2	4	-

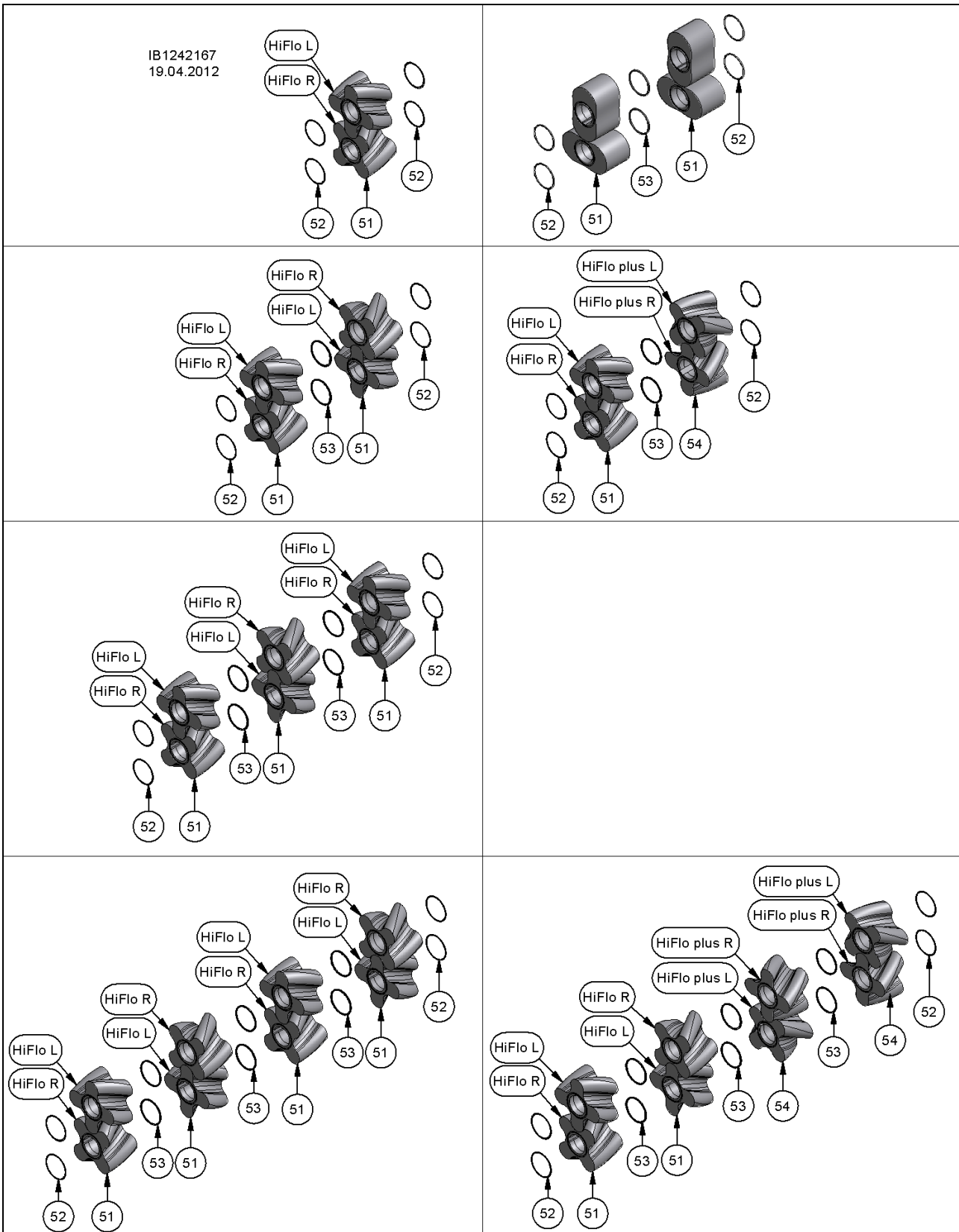
**Gasket for pump housing segment**  
Position 46

Pos.	Part number	Description	Dimensions	Notes	Rep.	92	130	184	260	368	390	520	736
46	DAD.028	Flat gasket		Asbestos-free		4	4	4	4	6	6	6	10

**Bolts and accessories**  
Position 47-50

Pos.	Part number	Description	Dimensions	Notes	Rep.	92	130	184	260	368	390	520	736
47	NUS.005	Washer	A 13 x 24 x 2,5	DIN 125		48	48	48	48	-	-	-	-
48	NMK.002	Hexagon nut	M12	Self-locking		32	32	32	32	8	8	8	8
	NMK.019	Hexagon nut	M12	DIN 6331		-	-	-	-	24	24	24	24
49	NSP.022	Spring pin	16 x 50	DIN 7346		4	4	4	4	4	4	4	4
50	NSK.176	Hexagon head bolt	M12 x 75	DIN 931		10	10	10	10	-	-	-	-

**Rotary lobes**  
**Position 51-54**





**HiFlo**

**HiFlo SBR**

Pos.	Part number	Description	Dimensions	Notes	Rep.	92	130	184	260	368	390	520	736
51	PKD.A040.TL	Rotary lobe	92; 4K45L HiFlo	SBR		1	-	-	-	-	-	-	-
	PKD.A040.TR	Rotary lobe	92; 4K45L HiFlo	SBR		1	-	-	-	-	-	-	-
	PKD.A031.TL	Rotary lobe	130; 4K45L HiFlo	SBR		-	1	-	2 (1)	-	3	4 (2)	-
	PKD.A031.TR	Rotary lobe	130; 4K45R HiFlo	SBR		-	1	-	2 (1)	-	3	4 (2)	-
	PKD.A025.TL	Rotary lobe	184; 4K45L HiFlo	SBR		-	-	1	-	2 (1)	-	-	4 (2)
	PKD.A025.TR	Rotary lobe	184; 4K45R HiFlo	SBR		-	-	1	-	2 (1)	-	-	4 (2)
54		Rotary lobe	130; 4K45L HiFloplus	SBR70		-	-	-	(1)	-	-	(2)	-
		Rotary lobe	130; 4K45R HiFloplus	SBR70		-	-	-	(1)	-	-	(2)	-
		Rotary lobe	184; 4K45L HiFloplus	SBR70		-	-	-	-	(1)	-	-	(2)
		Rotary lobe	184; 4K45R HiFloplus	SBR70		-	-	-	-	(1)	-	-	(2)

**HiFlo NBR**

Pos.	Part number	Description	Dimensions	Notes	Rep.	92	130	184	260	368	390	520	736
51		Rotary lobe	130; 4K45L HiFlo	NBR white		-	1	-	2	-	3	4	-
		Rotary lobe	130; 4K45R HiFlo	NBR white		-	1	-	2	-	3	4	-
	PKD0029	Rotary lobe	184; 4K45L HiFlo	NBR white		-	-	1	-	2	-	-	4
	PKD0030	Rotary lobe	184; 4K45R HiFlo	NBR white		-	-	1	-	2	-	-	4
51	PKD.A039.TL	Rotary lobe	92; 4K45L HiFlo	NBR		1	-	-	-	-	-	-	-
	PKD.A039.TR	Rotary lobe	92; 4K45L HiFlo	NBR		1	-	-	-	-	-	-	-
	PKD.A030.TL	Rotary lobe	130; 4K45L HiFlo	NBR		-	1	-	2 (1)	-	3	4 (2)	-
	PKD.A030.TR	Rotary lobe	130; 4K45R HiFlo	NBR		-	1	-	2 (1)	-	3	4 (2)	-
	PKD.A024.TL	Rotary lobe	184; 4K45L HiFlo	NBR		-	-	1	-	2 (1)	-	-	4 (2)
	PKD.A024.TR	Rotary lobe	184; 4K45R HiFlo	NBR		-	-	1	-	2 (1)	-	-	4 (2)
54	PKD0019	Rotary lobe	130; 4K45L HiFloplus	NBR		-	-	-	(1)	-	-	(2)	-
	PKD0020	Rotary lobe	130; 4K45R HiFloplus	NBR		-	-	-	(1)	-	-	(2)	-
	PKD0017	Rotary lobe	184; 4K45L HiFloplus	NBR		-	-	-	-	(1)	-	-	(2)
	PKD0018	Rotary lobe	184; 4K45R HiFloplus	NBR		-	-	-	-	(1)	-	-	(2)

**HiFlo EPDM**

Pos.	Part number	Description	Dimensions	Notes	Rep.	92	130	184	260	368	390	520	736
51	PKD.A047.TL	Rotary lobe	92; 4K45L HiFlo	EPDM-SL		1	-	-	-	-	-	-	-
	PKD.A047.TR	Rotary lobe	92; 4K45L HiFlo	EPDM-SL		1	-	-	-	-	-	-	-
	PKD.A048.TL	Rotary lobe	130; 4K45L HiFlo	EPDM-SL		-	1	-	2 (1)	-	3	4 (2)	-
	PKD.A048.TR	Rotary lobe	130; 4K45R HiFlo	EPDM-SL		-	1	-	2 (1)	-	3	4 (2)	-
	PKD.A049.TL	Rotary lobe	184; 4K45L HiFlo	EPDM-SL		-	-	1	-	2 (1)	-	-	4 (2)
	PKD.A049.TR	Rotary lobe	184; 4K45R HiFlo	EPDM-SL		-	-	1	-	2 (1)	-	-	4 (2)
54	PKD0050	Rotary lobe	130; 4K45L HiFloplus	EPDM-SL		-	-	-	(1)	-	-	(2)	-
	PKD0051	Rotary lobe	130; 4K45R HiFloplus	EPDM-SL		-	-	-	(1)	-	-	(2)	-
	PKD0031	Rotary lobe	184; 4K45L HiFloplus	EPDM-SL		-	-	-	-	(1)	-	-	(2)
	PKD0032	Rotary lobe	184; 4K45R HiFloplus	EPDM-SL		-	-	-	-	(1)	-	-	(2)

**HiFlo FPM**

Pos.	Part number	Description	Dimensions	Notes	Rep.	92	130	184	260	368	390	520	736
51	PKD.A044.TL	Rotary lobe	92; 4K45L HiFlo	FPM <sup>(1)</sup>		1	-	-	-	-	-	-	-
	PKD.A044.TR	Rotary lobe	92; 4K45L HiFlo	FPM <sup>(1)</sup>		1	-	-	-	-	-	-	-
	PKD.A034.TL	Rotary lobe	130; 4K45L HiFlo	FPM <sup>(1)</sup>		-	1	-	$\frac{2}{(1)}$	-	3	$\frac{4}{(2)}$	-
	PKD.A034.TR	Rotary lobe	130; 4K45R HiFlo	FPM <sup>(1)</sup>		-	1	-	$\frac{2}{(1)}$	-	3	$\frac{4}{(2)}$	-
	PKD.A028.TL	Rotary lobe	184; 4K45L HiFlo	FPM <sup>(1)</sup>		-	-	1	-	$\frac{2}{(1)}$	-	-	$\frac{4}{(2)}$
	PKD.A028.TR	Rotary lobe	184; 4K45R HiFlo	FPM <sup>(1)</sup>		-	-	1	-	$\frac{2}{(1)}$	-	-	$\frac{4}{(2)}$
54		Rotary lobe	130; 4K45L HiFloplus	FPM <sup>(1)</sup>		-	-	-	(1)	-	-	(2)	-
		Rotary lobe	130; 4K45R HiFloplus	FPM <sup>(1)</sup>		-	-	-	(1)	-	-	(2)	-
		Rotary lobe	184; 4K45L HiFloplus	FPM <sup>(1)</sup>		-	-	-	-	(1)	-	-	(2)
		Rotary lobe	184; 4K45R HiFloplus	FPM <sup>(1)</sup>		-	-	-	-	(1)	-	-	(2)

<sup>(1)</sup> max. 6 bar [87 psi], please pay attention to the admissible pressure of pump!

**HiFlo WEROBUST**

Pos.	Part number	Description	Dimensions	Notes	Rep.	92	130	184	260	368	390	520	736
51	PKD.A041.TL	Rotary lobe	92; 4K45L HiFlo	WEROBUST <sup>(2)</sup>		1	-	-	-	-	-	-	-
	PKD.A041.TR	Rotary lobe	92; 4K45L HiFlo	WEROBUST <sup>(2)</sup>		1	-	-	-	-	-	-	-
	PKD.A032.TL	Rotary lobe	130; 4K45L HiFlo	WEROBUST <sup>(2)</sup>		-	1	-	$\frac{2}{(1)}$	-	3	$\frac{4}{(2)}$	-
	PKD.A032.TR	Rotary lobe	130; 4K45R HiFlo	WEROBUST <sup>(2)</sup>		-	1	-	$\frac{2}{(1)}$	-	3	$\frac{4}{(2)}$	-
	PKD.A026.TL	Rotary lobe	184; 4K45L HiFlo	WEROBUST <sup>(2)</sup>		-	-	1	-	$\frac{2}{(1)}$	-	-	$\frac{4}{(2)}$
	PKD.A026.TR	Rotary lobe	184; 4K45R HiFlo	WEROBUST <sup>(2)</sup>		-	-	1	-	$\frac{2}{(1)}$	-	-	$\frac{4}{(2)}$
54		Rotary lobe	130; 4K45 HiFloplus	WEROBUST <sup>(2)</sup>		-	-	-	(1)	-	-	(2)	-
		Rotary lobe	130; 4K45 HiFloplus	WEROBUST <sup>(2)</sup>		-	-	-	(1)	-	-	(2)	-
	PKD0064	Rotary lobe	184; 4K45 HiFloplus	WEROBUST <sup>(2)</sup>		-	-	-	-	(1)	-	-	(1)
	PKD0065	Rotary lobe	184; 4K45 HiFloplus	WEROBUST <sup>(2)</sup>		-	-	-	-	(1)	-	-	(1)

<sup>(2)</sup> Attention! Usable up to 50°C medium temperature, only!

( ) quantity for HiFlo plus

**Rotary lobes; bi-lobe**

Pos.	Part number	Description	Dimensions	Notes	Rep.	92	130	184	260	368	390	520	736
51	PKD.A002	Rotary lobe, bi-lobe	92	SBR		2	-	4	-	-	-	-	-
	PKD.A001	Rotary lobe, bi-lobe	130	SBR		-	2	-	4	-	-	-	-
	PKD.A004	Rotary lobe, bi-lobe	92	NBR		2	-	4	-	-	-	-	-
	PKD.A003	Rotary lobe, bi-lobe	130	NBR		-	2	-	4	-	-	-	-
	PKD.A004.W	Rotary lobe, bi-lobe	92	NBR white		2	-	4	-	-	-	-	-
	PKD.A003.W	Rotary lobe, bi-lobe	130	NBR white		-	2	-	4	-	-	-	-
	PKD.A006.SL	Rotary lobe, bi-lobe	92	EPDM-SL		2	-	4	-	-	-	-	-
	PKD.A005.SL	Rotary lobe, bi-lobe	130	EPDM-SL		-	2	-	4	-	-	-	-
	PKD.A006.W	Rotary lobe, bi-lobe	92	EPDM white		2	-	4	-	-	-	-	-
	PKD.A005.W	Rotary lobe, bi-lobe	130	EPDM white		-	2	-	4	-	-	-	-
	PKD.A008	Rotary lobe, bi-lobe	92	FPM <sup>(1)</sup>		2	-	4	-	-	-	-	-
	PKD.A007	Rotary lobe, bi-lobe	130	FPM <sup>(1)</sup>		-	2	-	4	-	-	-	-
PKD.A009	Rotary lobe, bi-lobe	92	WEROBUST <sup>(2)</sup>		2	-	4	-	-	-	-	-	
PKD.A010	Rotary lobe, bi-lobe	130	WEROBUST <sup>(2)</sup>		-	2	-	4	-	-	-	-	
51		Rotary lobe; bi-lobe <sup>(3)</sup>	92	1.4571		2	-	4	-	-	-	-	-
	PKD.A012.N1.E	Rotary lobe; bi-lobe <sup>(3)</sup>	130	1.4571		-	2	-	4	-	-	-	-

<sup>(1)</sup> max. 6 bar [87 psi], please pay attention to the admissible pressure of pump!

<sup>(2)</sup> Attention! Usable up to 50°C medium temperature, only!

<sup>(3)</sup> + O-ring for solid material lobe

**Solid material rotary lobes  
HiFlo**

Pos.	Part number	Description	Dimensions	Notes	Rep.	92	130	184	260	368	390	520	736
51	PKD A035.N1.TLE	Rotary lobe <sup>(3)</sup>	92; 4K45L HiFlo	1.4571		1	-	-	-	-	-	-	-
	PKD A035.N1.TRE	Rotary lobe <sup>(3)</sup>	92; 4K45R HiFlo	1.4571		1	-	-	-	-	-	-	-
	PKD A036.N1.TLE	Rotary lobe <sup>(3)</sup>	130; 4K45L HiFlo	1.4571		-	1	-	2 (1)	-	3	4 (2)	-
	PKD A036.N1.TRE	Rotary lobe <sup>(3)</sup>	130; 4K45R HiFlo	1.4571		-	1	-	2 (1)	-	3	4 (2)	-
	PKD.A037.N1.TLE	Rotary lobe <sup>(3)</sup>	184; 4K45L HiFlo	1.4571		-	-	1	-	2 (1)	-	-	4 (2)
	PKD.A037.N1.TRE	Rotary lobe <sup>(3)</sup>	184; 4K45R HiFlo	1.4571		-	-	1	-	2 (1)	-	-	4 (2)
54	PKD0027	Rotary lobe <sup>(3)</sup>	130; 4K45L HiFloplus	1.4571		-	-	-	(1)	-	-	(2)	-
	PKD0028	Rotary lobe <sup>(3)</sup>	130; 4K45R HiFloplus	1.4571		-	-	-	(1)	-	-	(2)	-
		Rotary lobe <sup>(3)</sup>	184; 4K45L HiFloplus	1.4571		-	-	-	-	(1)	-	-	(2)
		Rotary lobe <sup>(3)</sup>	184; 4K45R HiFloplus	1.4571		-	-	-	-	(1)	-	-	(2)

<sup>(3)</sup> + O-ring for solid material lobe

( ) quantity for HiFlo plus

**O-ring for solid material rotary lobes  
Position 52-53**

Pos.	Part number	Description	Dimensions	Notes	Rep.	92	130	184	260	368	390	520	736
52	DOR.085	O-ring <sup>(5)</sup>	104 x 3	NBR									
	DOR.085.EP	O-ring <sup>(5)</sup>	104 x 3	EPDM									
	DOR.085.VI	O-ring <sup>(5)</sup>	104 x 3	FPM									
	DOR.085.PT	O-ring <sup>(5)</sup>	104 x 3	Silikon FEP coated									
53	DOR.163	O-ring <sup>(5)</sup>	103 x 5	NBR									
	DOR.163.EP	O-ring <sup>(5)</sup>	103 x 5	EPDM									
	DOR.163.VI	O-ring <sup>(5)</sup>	103 x 5	FPM									
	DOR.163.PT	O-ring <sup>(5)</sup>	103 x 5	Silikon FEP coated									
								0 2 <sup>(9)</sup>	2	2	4	6	6

<sup>(5)</sup> for solid material lobes

<sup>(9)</sup> quantity for rotary lobe bi-lobe

**Preload**

**Position 55-56**

Pos.	Part number	Description	Dimensions	Notes	Rep.	92	130	184	260	368	390	520	736
55	NTF.003	Spring washer	100 x 51 x 6			2	2	2	2	2	2	2	2
56	PRS.102	Strain bolt	M16			2	2	2	2	2	2	2	2

**Cover flange**

**Position 57-77**

Pos.	Part number	Description	Dimensions	Notes	Rep.	92	130	184	260	368	390	520	736
57	PGP.A005.T2.E	Flange ring		Stainless steel		1	1	1	1	1	1	1	1
58	NKS.006	Lifting eye bolt	M 12			1	1	1	1	1	1	1	1
59	NSP.024	Spring pin	16 x 26			4	4	4	4	8	8	8	16
60	ZNGS.095.0500	Threaded rod	M 12 x 500	DIN 976		-	-	-	-	12	-	-	-
	ZNGS.095.0530	Threaded rod	M 12 x 530	DIN 976		-	-	-	-	-	12	-	-
	ZNGS.095.0640	Threaded rod	M 12 x 640	DIN 976		-	-	-	-	-	-	12	-
	ZNGS.095.0870	Threaded rod	M 12 x 870	DIN 976		-	-	-	-	-	-	-	12
61	NMS.004	Hexagon nut	M 12	DIN 934		-	-	-	-	2	2	2	2
62	NSK.217	Hexagon head bolt	M 12 x 75	DIN 933		10	10	10	10	-	-	-	-
61	NMS.002	Hexagon nut	M8	DIN 934-8		6	6	6	6	6	6	6	6
63	DOR.052	O-ring	368 x 6	NBR		1	1	1	1	1	1	1	1
	DOR.052.EP	O-ring	368 x 6	EPDM									
	DOR.052.VI	O-ring	368 x 6	FPM									
	DOR.052.PT	O-ring	368 x 6	Silicone FEP coated									
64	NSK.025.EE	Hexagon head bolt	M 10 x 16			4	4	4	4	4	4	4	4
65	NSK.133	Hexagon head bolt	M 12 x 90	DIN 933		2	2	2	2	-	-	-	-
67	NSK.080	Screw plug	M10 x 1	Motor shaft		4	4	4	4	4	4	4	4
	NKS.001	Grease nipple	M10 x 1	PTO shaft									
68	DKR.001	Copper ring	C 10 x 16 x 1	Motor shaft		4	4	4	4	4	4	4	4
	BAK.001	Grease nipple cap		PTO shaft									

**Buffer chamber enlargement**

**Position 74**

Pos.	Part number	Description	Dimensions	Notes	Rep.	92	130	184	260	368	390	520	736
74	PSG.014	Buffer fluid tank		Pressurized		2	2	2	2	2	2	2	2
	PSG.014.T1	Quenching fluid tank		Ventilated (option)									
	PSV.002.N1	Pressure valve		(Option)									

**Intermediate flange**

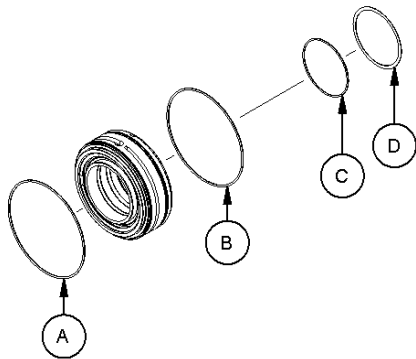
**Position 72-73 + 75-78**

Pos.	Part number	Description	Dimensions	Notes	Rep.	92	130	184	260	368	390	520	736
72	DOR.052	O-ring	368 x 6	NBR		2							
	DOR.052.VI	O-ring	368 x 6	FPM									
73	NUS.004	Washer	A 10,5 x 20 x 2 mm	DIN 125		4							
75	NSK0145	Hexagon head bolt	M 10 x 10	DIN 933		4							
76	PGP0273	Intermediate flange				1							
	PGP.A021.N1.E	Intermediate flange		Option: lubricating hole									
	PGP.A036.N1.E	Flame-cut part											
77	NSI.096.EE	Cylinder head bolt	M10 x 18	DIN 912		2							
78	DOR.040	O-ring	12 x 2	NBR		2	2	2	2	2	2	2	2
	DOR.040.EP	O-ring	12 x 2	EPDM									
	DOR.040.VI	O-ring	12 x 2	FPM									
	DOR.040.PT	O-ring	12 x 2	Silicone FEP coated									

**Cartridge mechanical seal**  
Pos. 79

Pos.	Part number	Description	Dimensions	Notes	Rep.	92	130	184	260	368	390	520	736	
<b>1.4571</b>														
79	PBT.A002.E	Cartridge mechanical seal		SiSiC / HNBR										
	PBT.A003.E			SiSiC / FPM										
	PBT.A004.E			Duronit <sup>(4)</sup> / HNBR										
	PBT.A005.E			Duronit <sup>(4)</sup> / FPM										
	PBT.A008.E		SiSiC / EPDM											
	PBT.A012.E	Cartridge mechanical seal block ring single-mechanical seal		SiSiC / HNBR		4	4	4	4	4	4	4	4	
	PBT.A013.E			SiSiC / FPM										
	PBT.A014.E			Cabone / HNBR										
	PBT.A015.E			Cabone / FPM										
	PBT.A016.E			Carbone / EPDM										
	PBT.A040.E			SiSiC / EPDM										

<sup>(4)</sup> up to 10 bar [145 psi] real operating pressure



**"Loose parts" for Cartridge mechanical seal**

Quantity per cartridge

Pos.	Part number	Description	Dimensions	Notes	Rep.	Qty.
A	DOR.027	O-ring	144 x 3	NBR		1
	DOR.027.VI	O-ring	144.5 x 3	FPM		
B	DOR.027	O-ring	144 x 3	NBR		2
	DOR.027.EP	O-ring	144.5 x 3	EPDM		
	DOR.027.VI	O-ring	144.5 x 3	FPM		
	DOR.027.PT	O-ring	144 x 3	Silicone FEP coated		
C	DOR.044	O-ring	85 x 2.5	NBR		1
	DOR.044.VI	O-ring	85 x 2.5	FPM		
D	NUS.044	Shim	94.5 x 85.5 x 0.75			1

These positions are contained in the Cartridge mechanical seal as "loose parts".

**Bearing seal housing + accessories**

**Position 79-95**

Pos.	Part number	Description	Dimensions	Notes	Rep.	92	130	184	260	368	390	520	736
80	PGP.A021.N1.T1E	Intermediate flange				1	1	1	1	1	1	1	1
	PFL.A021	Flame-cut part				1	1	1	1	1	1	1	1
81	PRS0789	Sleeve				2	2	2	2	2	2	2	2
82	NLG.028.N1.T1	Cylindrical roller bearing	NU 2217E.TVP2.C3			2	2	2	2	2	2	2	2
83	PGP.A018.T8	Bearing seal housing				1	1	1	1	1	1	1	1
84	NPF0003 *	Fitting key	A; 10 x 8 x 25	From 04/2009 up (shaft <b>with</b> positive lock)		2	2	2	2	2	2	2	2
85	PRS0792 *	Spring pin		From 04/2009 up (shaft <b>with</b> inner ring pos. 92)		2	2	2	2	2	2	2	2
	PRS0791*	Spring pin		Until 12/2008 (shaft <b>without</b> inner ring)									
86	PGP.A037	Bearing cover		Closed		2	2	2	2	2	2	2	2
87	NSR.037	Multi-disc ring	72 x 4,1 x 0,82			2	2	2	2	2	2	2	2
88	NTF.002	Spring washer	71 x 36 x 4	DIN 2039		6	6	6	6	6	6	6	6
89	NSK.002	Hexagon head bolt	M10 x 35			4	4	4	4	4	4	4	4
90	NUS.004	Washer	10,5 x 20 x 2	DIN 125		8	8	8	8	8	8	8	8
91	PRS0766 *	Pressure disk				2	2	2	2	2	2	2	2
92	NIR.021*	Inner ring		From 04/2009 up (shaft with inner ring)		2	2	2	2	2	2	2	2

\* For a production date of 01/2009 to 03/2009 for spare parts, please contact Vogelsang.

93	NSR.036	Retaining ring	AS 85 x 3	DIN 471		2	2	2	2	2	2	2	2
94	PRS.A036	O-ring-carrier				2	2	2	2	2	2	2	2
95	DOR.045	O-ring	92 x 4	NBR		2	2	2	2	2	2	2	2
	DOR.045.VI	O-ring	92 x 4	FPM									

**Accessories**

**Pos. 96-103**

Pos.	Part number	Description	Dimensions	Notes	Rep.	92	130	184	260	368	390	520	736
96	PFL.A025	Lifting lug				1	1	1	1	1	1	1	1
97	DOR.050	O-ring	150 x 3	NBR		2	2	2	2	2	2	2	2
	DOR.050.VI	O-ring	150 x 3	FPM									
98	NSP.015	Dowel pin	16 x 36	DIN 7346		4	4	4	4	4	4	4	4
102	NSK0106	Screw plug	M 30 x 1,5	DIN 910-1		2	2	2	2	2	2	2	2
103	DKR0003	Copper ring	A; 30 x 36 x 2			2	2	2	2	2	2	2	2

**Temperature sensor**

**Pos. 120-122**

Pos.	Part number	Description	Dimensions	Notes	Rep.	92	130	184	260	368	390	520	736
120	SSS.073.N1	Temperature sensor	PT100			2	2	2	2	2	2	2	2
121	RFL.489	Holder				1	1	1	1	1	1	1	1
122	NSK.035	Hexagon head bolt	M12 x 80	DIN 931		2	2	2	2	-	-	-	-

**Tools**

Pos.	Part number	Description	Dimensions	Notes	Rep.	92	130	184	260	368	390	520	736
	PBA.A001.T1	Lobe puller	92-260			x	x	x	x	-	-	-	-
	PBA.A001.T2	Lobe puller	368-390			-	-	-	-	x	x	-	-
	PBA.A001.T3	Lobe puller	520-736			-	-	-	-	-	-	x	x
	PBA.A011	Assembly tool		Radial shaft seal ring (DWD.049)									
	PBA.A012	Assembly tool		Inner ring (NIR.014)									
	PBA.A015	Assembly tool		Bearing seal housing (PGP.A018.T2)									
<b>Cartridge mechanical seal:</b>													
	PBA0009	Tool set		Cartridge mechanical seal									
	WKZ0457	Disassembly tool Cartridge mechanical seal		Included in PBA0009									
	PBA.A014.T1	Tool		Included in WKZ0457							(1)		
	NSI.057	Cylinder head bolt	M 6 x 16								(2)		
	NSK.155	Hexagon nut	M 8 x 80								(3)		
<b>Component mechanical seal:</b>													
	PBA.A010	Assembly tool		Mechanical seal ring support (PRS.A026.N1.T1)									
	PBA.A006.N1	Assembly tool		Mechanical seal (DGL.A013)									
	PBA.A033.T1	Multi-purpose tool	→ 92Q-260Q → 92QD	Cartridge mechanical seal + rotary lobe		x	-	-	-	-	-	-	-
	PBA.A033.T2	Multi-purpose tool	→ 130QD-368QD	Cartridge mechanical seal + rotary lobe		-	x	x	x	x	-	-	-

**Material for connectors**

Pos.	Part number	Description	Dimensions	Notes	Rep.	92	130	184	260	368	390	520	736
	NSK.001.EE	Hexagon head bolt	M10 x 30	DIN 933		24	28	32	36	44	44	52	68
	NSK.004.EE	Hexagon head bolt	M10 x 45	DIN 933 (high pressure)		24	28	32	36	44	44	52	68
	NUS.004.EE	Washer	A 10.5 x 20 x 2	DIN 125		24	28	32	36	44	44	52	68
	PFL.120.E	Flange	92	Stainless steel		2	-	-	-	-	-	-	-
	PFL.121.E	Flange	130	Stainless steel		-	2	-	-	-	-	-	-
	PFL.122.E	Flange	184	Stainless steel		-	-	2	-	-	-	-	-
	PFL.123.E	Flange	260	Stainless steel		-	-	-	2	-	-	-	-
	PFL.139.E	Flange	368	Stainless steel		-	-	-	-	2	-	-	-
	PFL.148.E	Flange	390	Stainless steel		-	-	-	-	-	2	-	-
	PFL.136.E	Flange	520	Stainless steel		-	-	-	-	-	-	2	-
	PFL.160.E	Flange	780	Stainless steel		-	-	-	-	-	-	-	2
	DFD.070.P	Flange gasket	92			2	-	-	-	-	-	-	-
	DFD.071.P	Flange gasket	130			-	2	-	-	-	-	-	-
	DFD.072.P	Flange gasket	184			-	-	2	-	-	-	-	-
	DFD.073.P	Flange gasket	260			-	-	-	2	-	-	-	-
	DFD.074.P	Flange gasket	368			-	-	-	-	2	-	-	-
	DFD.104.P	Flange gasket	390			-	-	-	-	-	2	-	-
	DFD.088.P	Flange gasket	520			-	-	-	-	-	-	2	-
	DFD.105.P	Flange gasket	736			-	-	-	-	-	-	-	2



**Required spare parts for rotary lobe change**

Pos.	Part number	Description	Dimensions	Notes	Rep.	92	130	184	260	368	390	520	736
21	NPF.040	Fitting key	B 22 x 14 x 50	DIN 6885		2	-	-	-	-	-	-	-
	NPF.041	Fitting key	B 22 x 14 x 70	DIN 6885		-	-	-	-	-	2	-	-
	NPF.042	Fitting key	B 22 x 14 x 90	DIN 6885		-	2	-	-	-	-	-	-
	NPF.043	Fitting key	B 22 x 14 x 100	DIN 6885		-	-	-	-	2	-	4	4
	NPF.044	Fitting key	B 22 x 14 x 140	DIN 6885		-	-	2	-	-	4	4	4
	NPF.045	Fitting key	B 22 x 14 x 220	DIN 6885		-	-	-	2	2	-	-	2
51-54		Rotary lobe		See page 10 and following									
56	PRS.102	Strain bolt	M16			2	2	2	2	2	2	2	2
63	DOR.052	O-ring	368 x 6	NBR		1	1	1	1	1	1	1	1
	DOR.052.EP	O-ring	368 x 6	EPDM									
	DOR.052.VI	O-ring	368 x 6	FPM									
	DOR.052.PT	O-ring	368 x 6	Silicone FEP coated									
95	DOR.045	O-ring	92 x 4	NBR		2	2	2	2	2	2	2	2
	DOR.045.VI	O-ring	92 x 4	FPM									

<sup>(5)</sup> for solid material lobes

**Necessary spare parts for Cartridge mechanical seal change**

Pos.	Part number	Description	Dimensions	Notes	Rep.	92	130	184	260	368	390	520	736
39	DOR.044	O-ring	85 x 2,5; NBR	QD cover		2	2	2	2	2	2	2	2
	DOR.044.VI	O-ring	85 x 2,5; FPM										
56	PRS.102	Strain bolt	M16			2	2	2	2	2	2	2	2
63	DOR.052	O-ring	368 x 6	NBR		1	1	1	1	1	1	1	1
	DOR.052.EP	O-ring	368 x 6	EPDM									
	DOR.052.VI	O-ring	368 x 6	FPM									
	DOR.052.PT	O-ring	368 x 6	Silicone FEP coated									
79	PBT.A002.E	Cartridge mechanical seal		SiSiC / HNBR		4	4	4	4	4	4	4	4
	PBT.A003.E			SiSiC / FPM									
	PBT.A004.E			Duronit <sup>(4)</sup> / HNBR									
	PBT.A005.E			Duronit <sup>(4)</sup> / FPM									
	PBT.A008.E			SiSiC / EPDM									
	PBT.A012.E	Cartridge mechanical seal block ring single-mechanical seal		SiSiC / HNBR									
	PBT.A013.E			SiSiC / FPM									
	PBT.A014.E			Cabone / HNBR									
	PBT.A015.E			Cabone / FPM									
	PBT.A016.E			Carbone / EPDM									
PBT.A040.E	SiSiC / EPDM												
95	DOR.045	O-ring	92 x 4	NBR		2	2	2	2	2	2	2	2
	DOR.045.VI	O-ring	92 x 4	FPM									

<sup>(4)</sup> up to 10 bar [145 psi] real operating pressure

**Necessary spare parts for wear part replacement with Cartridge mechanical seal**

Pos.	Part number	Description	Dimensions	Notes	Rep.	92	130	184	260	368	390	520	736
21	NPF.040	Fitting key	B 22 x 14 x 50	DIN 6885		2	-	-	-	-	-	-	-
	NPF.041	Fitting key	B 22 x 14 x 70	DIN 6885		-	-	-	-	-	2	-	-
	NPF.042	Fitting key	B 22 x 14 x 90	DIN 6885		-	2	-	-	-	-	-	-
	NPF.043	Fitting key	B 22 x 14 x 100	DIN 6885		-	-	-	-	2	-	4	4
	NPF.044	Fitting key	B 22 x 14 x 140	DIN 6885		-	-	2	-	-	4	4	4
	NPF.045	Fitting key	B 22 x 14 x 220	DIN 6885		-	-	-	2	2	-	-	2
39	DOR.044	O-ring	85 x 2,5; NBR	QD cover		2	2	2	2	2	2	2	2
	DOR.044.VI	O-ring	85 x 2,5; FPM										
41	PFL.A017.E	Wear plate		Stainless steel									
	PFL.A017.E.G1	Wear plate		Tungsten carbide coated		2	2	2	2	2	2	2	2
	PFL.A017.E.G2	Wear plate		Plasma hardened									
46	DAD.028	Flat gasket		Asbestos-free		4	4	4	4	6	6	6	10
51-54		Rotary lobe		See page 10 and following									
56	PRS.102	Strain bolt	M16			2	2	2	2	2	2	2	2
63	DOR.052	O-ring	368 x 6	NBR									
	DOR.052.EP	O-ring	368 x 6	EPDM		1	1	1	1	1	1	1	1
	DOR.052.VI	O-ring	368 x 6	FPM									
	DOR.052.PT	O-ring	368 x 6	Silicone FEP coated									
64	NSK.025.EE	Hexagon head bolt	M 10 x 16			4	4	4	4	4	4	4	4
75	NSK0145	Hexagon head bolt	M 10 x 10	DIN 933		4							
<b>1.4571</b>													
79	PBT.A002.E	Cartridge mechanical seal		SiSiC / HNBR									
	PBT.A003.E			SiSiC / FPM									
	PBT.A004.E			Duronit <sup>(4)</sup> / HNBR									
	PBT.A005.E			Duronit <sup>(4)</sup> / FPM									
	PBT.A008.E			SiSiC / EPDM									
	PBT.A012.E	Cartridge mechanical seal block ring single-mechanical seal		SiSiC / HNBR		4	4	4	4	4	4	4	4
	PBT.A013.E			SiSiC / FPM									
	PBT.A014.E			Cabone / HNBR									
	PBT.A015.E			Cabone / FPM									
	PBT.A016.E			Carbone / EPDM									
PBT.A040.E		SiSiC / EPDM											
95	DOR.045	O-ring	92 x 4	NBR		2	2	2	2	2	2	2	2
	DOR.045.VI	O-ring	92 x 4	FPM									
97	DOR.050	O-ring	150 x 3	NBR		2	2	2	2	2	2	2	2
	DOR.050.VI	O-ring	150 x 3	FPM									

<sup>(4)</sup> up to 10 bar [145 psi] real operating pressure

<sup>(5)</sup> for solid material lobes



**Hugo Vogelsang Maschinenbau GmbH**  
Holthöge 10-14  
49632 Essen/Oldb.

Phone: +49 (0) 54 34 83 0  
Fax: +49 (0) 54 34 83 10

vogelsang-gmbh.com  
info@vogelsang-gmbh.com

ENGINEERED TO WORK

**USA**  
**Vogelsang USA Ltd.**  
vogelsangusa.com

**Spanien**  
**Vogelsang S.L.**  
vogelsang.es

**Schweden**  
**Vogelsang Sverige AB**  
vogelsang.se

**Großbritannien**  
**Vogelsang Ltd.**  
vogelsang.co.uk

**Australien**  
**Vogelsang Pty. Ltd.**  
vogelsang.com.au

**Malaysia**  
**Vogelsang Malaysia**  
vogelsang.info

**Frankreich**  
**Vogelsang France S.A.R.L.**  
vogelsang.fr

**Indien**  
**Vogelsang India Private Limited**  
vogelsangindia.com

**Finnland**  
**Vogelsang Oy**  
vogelsang.fi

**Italien**  
**Vogelsang Italy Srl**  
vogelsang-srl.it

**Tschechische Republik**  
**Vogelsang CZ s.r.o.**  
vogelsang-czech.cz

**Irland**  
**Vogelsang Irland**  
vogelsang.ie

**Polen**  
**Vogelsang Poland Sp. z o.o.**  
vogelsang.pl

**Dänemark**  
**Vogelsang A/S**  
vogelsang-as.dk

**Südkorea**  
**Vogelsang Korea Co., Ltd.**  
vogelsang.co.kr

**Rumänien**  
**Vogelsang Romania SRL**  
vogelsang.ro

**Brasilien**  
**Vogelsang Brasil Ltda.**  
vogelsang.com.br

**Russland**  
**Vogelsang Russland**  
vogelsang.ru

**China**  
**Vogelsang Mechanical Engineering (Shanghai) Co., Ltd.**  
vogelsang.com.cn

**Mexico**  
**Vogelsang De México S.de R.L. de CV**  
vogelsang.mx

**Deutschland - Niederlassung Ost**  
**Vogelsang Lutherstadt Eisleben**  
vogelsang-gmbh.com