

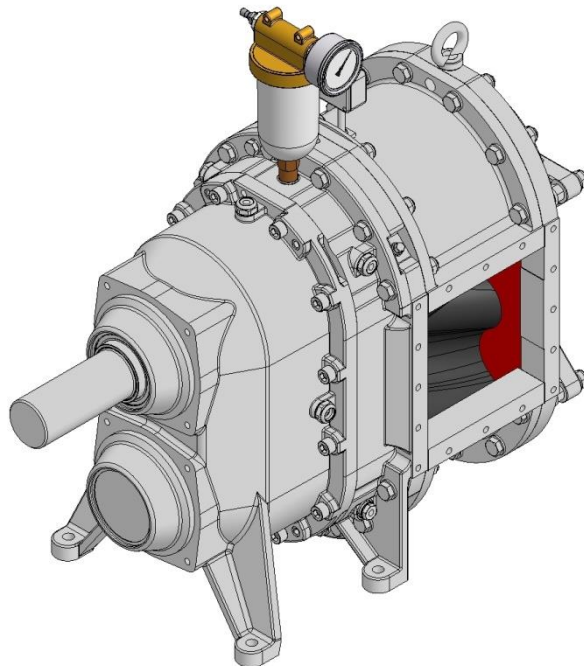


Spare Parts List

Explosion-Proof Rotary Lobe Pump

VX186QVVA

ENGINEERED TO WORK



Issuer

Hugo Vogelsang Maschinenbau GmbH
Holthöge 10-14
49632 Essen/Oldb.

Phone: +49 54 34 83 0
Fax: +49 54 34 83 10

vogelsang-gmbh.com
info@vogelsang-gmbh.com

In the absence of express, written authorisation from the issuer, the reproduction or partial reproduction of this document in any form is prohibited.

We reserve the right to make technical modifications to the diagrams and information presented in this document in the event that such modifications become necessary for the enhancement of the machine.

© 2016 Hugo Vogelsang Maschinenbau GmbH

Registered trademarks of Vogelsang

Vogelsang, RotaCut, PreMix, HiFlo, ACC, CFC, BioCrack, XTill, EnergyJet and BioCut are registered trademarks of Hugo Vogelsang Maschinenbau GmbH.

The registered trademarks are not always designated with an ® symbol in this document.

Contents

Exploded view4

Gearbox housing and accessories5

 Position 1-165

PTO shaft5

 Position 17-195

Motor shaft.....6

 Position 17-196

Fitting key6

 Position 1-156

Bearing seal housing + accessories6

 Positions 22-266

Wear plate7

 Positions 41-427

Pump housing segment.....7

 Position 447

Gasket for pump housing segment7

 Position 467

Bolts and accessories8

 Position 47-508

Rotary lobes8

HiFlo9

 Position 51+549

Rotary lobes; bi-lobe.....11

 Position 5111

Solid material rotary lobes11

HiFlo11

 Position 51+5411

O-ring for solid material rotary lobes11

 Position 52-5311

Preload12

 Position 55-5612

Cover flange and accessories.....12

 Position 57-6312

Wear plate12

 Position 64-6512

Cover and accessories12

 Position 66-7012

Buffer chamber enlargement13

 Position 7413

Intermediate flange13

 Position 72-73 + 75-7813

Cartridge mechanical seal.....14

 Pos. 79.....14

"Loose parts" for Cartridge mechanical seal14

Temperature sensor.....15

 Pos. 81-84.....15

Accessories.....15

 Pos. 87-94.....15

Tools.....16

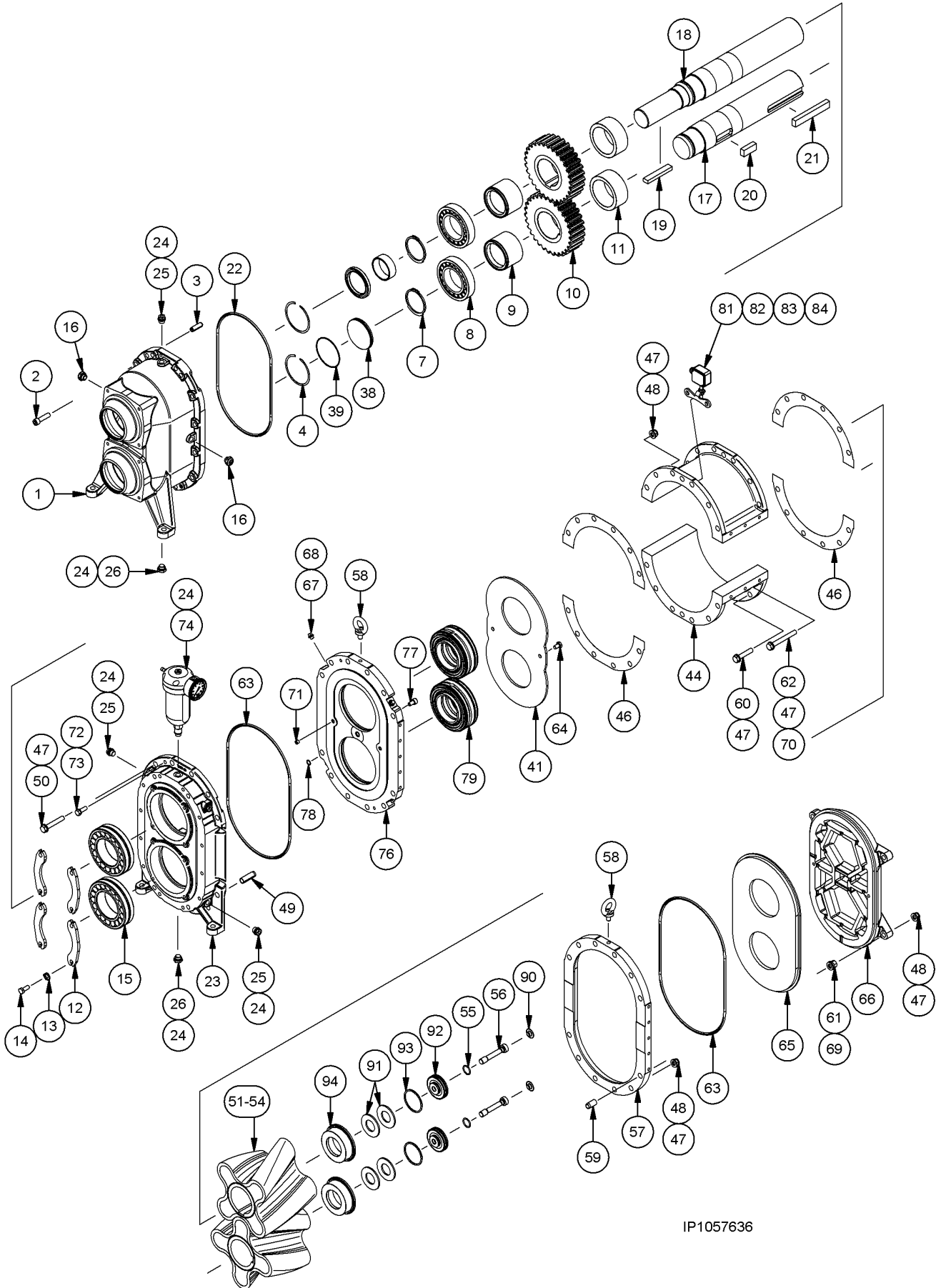
Material for connectors.....16

Required spare parts for rotary lobe change.....17

Necessary spare parts for Cartridge mechanical seal change18

Necessary spare parts for wear part replacement with Cartridge mechanical seal19

Exploded view



IP1057636

Gearbox housing and accessories

Position 1-16

Pos.	Part number	Description	Dimensions	Note	Qua.	92	130	184	260	368	390
1	PGP.A019.T3	Gearbox housing				1	1	1	1	1	1
2	NSI.091	Cylinder head bolt	M12 x 45	DIN 912		12	12	12	12	12	12
3	NSP.017	Spring pin	13 x 40	DIN 1481		4	4	4	4	4	4
	NSP.002	Spring pin	8 x 40	DIN 1481		4	4	4	4	4	4
4	NSR.027	Multi-disc ring	95 x 5 x 0.98			2	2	2	2	2	2
5	DWD.049.HNB	Radial shaft seal ring	HNBR	For motor shaft		1	1	1	1	1	1
	DWD.049.VI	Radial shaft seal ring	FPM								
	DWD.049.HNB	Radial shaft seal ring	HNBR	For PTO shaft		2	2	2	2	2	2
	DWD.049.VI	Radial shaft seal ring	FPM								
6	NIR.014	Inner ring	JR 65 x 72 x 25	For motor shaft		1	1	1	1	1	1
				For PTO shaft		2	2	2	2	2	2
7	NSR.011	Retaining ring	AS 75 x 4	DIN 471		2	2	2	2	2	2
8	NLG.027	Cylindrical roller bearing				2	2	2	2	2	2
9	PRS.A001.N1	Distance sleeve		Gear floating bearing		2	2	2	2	2	2
10	PZH.A004	Gear				2	2	2	2	2	2
11	PRS.A002	Distance sleeve		Gear fixed bearing		2	2	2	2	2	2
12	PFL.A016	Fixing sheet for bearing				4	4	4	4	4	4
13	NUS.066	Lock washer	10.5	DIN 432		8	8	8	8	8	8
14	NSK.027	Hexagon head bolt	M10 x 25	DIN 933		8	8	8	8	8	8
15	NLG.025	Spherical roller bearing				2	2	2	2	2	2
16	PSG.017	Sight glass	M16			2	2	2	2	2	2

PTO shaft

Position 17-19

Pos.	Part number	Description	Dimensions	Note	Qua.	92	130	184	260	368	390
17/ 18	PWQ.A009.N1	PTO shaft	92-S6			2	-	-	-	-	-
	PWQ.A039	PTO shaft	92-S6	Hardened		2	-	-	-	-	-
	PWQ.A040	PTO shaft	130-S6	Hardened		-	2	-	-	-	-
	PWQ.A041	PTO shaft	184-S6	Hardened		-	-	2	-	-	-
	PWQ.A042	PTO shaft	260-S6	Hardened		-	-	-	2	-	-
	PWQ.A023.N1	PTO shaft	92-P6			2	-	-	-	-	-
	PWQ.A024.N1	PTO shaft	130-P6			-	2	-	-	-	-
	PWQ.A025.N1	PTO shaft	184-P6			-	-	2	-	-	-
	PWQ.A026.N1	PTO shaft	260-P6			-	-	-	2	-	-
	PWQ.A027.N1	PTO shaft	368-P6			-	-	-	-	2	-
	PWQ.A032.N1	PTO shaft	390-P6			-	-	-	-	-	2
	PWQ.A016.N1	PTO shaft	260-P20			-	-	-	2	-	-
PWQ.A033.N1	PTO shaft	390-P20			-	-	-	-	-	2	

Motor shaft
Position 17-19

Pos.	Part number	Description	Dimensions	Note	Qua.	92	130	184	260	368	390
17	PWQ.A005.N1	Motor shaft	92	Short		1	-	-	-	-	-
	PWQ.A006.N1	Motor shaft	130	Short		-	1	-	-	-	-
	PWQ.A007.N1	Motor shaft	184	Short		-	-	1	-	-	-
	PWQ.A008.N1	Motor shaft	260	Short		-	-	-	1	-	-
	PWQ.A018.N1	Motor shaft	368	Short		-	-	-	-	1	-
	PWQ.A037.N1	Motor shaft	390	Short		-	-	-	-	-	1
18	PWQ.A001.N1	Motor shaft	92	Long		1	-	-	-	-	-
	PWQ.A002.N1	Motor shaft	130	Long		-	1	-	-	-	-
	PWQ.A003.N1	Motor shaft	184	Long		-	-	1	-	-	-
	PWQ.A004.N1	Motor shaft	260	Long		-	-	-	1	-	-
	PWQ.A017.N1	Motor shaft	368	Long		-	-	-	-	1	-
	PWQ.A038.N1	Motor shaft	390	Long		-	-	-	-	-	1
18	PWQ.A005.N1.H	Hollow shaft	92			1	-	-	-	-	-
	PWQ.A006.N1.H	Hollow shaft	130			-	1	-	-	-	-
	PWQ.A007.N1.H	Hollow shaft	184			-	-	1	-	-	-
	PWQ.A008.N1.H	Hollow shaft	260			-	-	-	1	-	-
	PWQ0001	Hollow shaft	368			-	-	-	-	1	-
	PWQ0029	Hollow shaft	390			-	-	-	-	-	1

⁽⁷⁾ for hydraulic motor

Fitting key
Position 1-15

Pos.	Part number	Description	Dimensions	Note	Qua.	92	130	184	260	368	390
19	NPF.047	Fitting key	B 18 x 11 x 100	For motor shaft long		1	1	1	1	1	1
20	NPF.040	Fitting key	B 22 x 14 x 50	DIN 6885		2	2	2	2	2	2
21	NPF.040	Fitting key	B 22 x 14 x 50	DIN 6885		2	-	-	-	-	2
	NPF.042	Fitting key	B 22 x 14 x 90	DIN 6885		-	2	-	-	-	-
	NPF.043	Fitting key	B 22 x 14 x 100	DIN 6885		-	-	-	-	2	6
	NPF.044	Fitting key	B 22 x 14 x 140	DIN 6885		-	-	2	-	-	-
	NPF.045	Fitting key	B 22 x 14 x 220	DIN 6885		-	-	-	2	2	-

Bearing seal housing + accessories
Positions 22-26

Pos.	Part number	Description	Dimensions	Note	Qua.	92	130	184	260	368	390
22	DOR.026	O-ring	330 x 6	NBR 70		1	1	1	1	1	1
	DOR.026.VI	O-ring	330 x 6	FPM							
23	PGP.A018.T4	Bearing/seal housing				1	1	1	1	1	1
24	DKR.005	Copper ring	C 16 x 22 x 2			6	6	6	6	6	6
25	NSK.081	Screw plug	M16 x 1,5			3	3	3	3	3	3
26	NSK.088	Screw plug	M16	Magnetic		2	2	2	2	2	2
39	DOR.044	O-ring	85 x 2.5	For motor shaft short		1	1	1	1	1	1
	DOR.044.VI	O-ring	85 x 2.5								

Wear plate
Positions 41-42

Pos.	Part number	Description	Dimensions	Note	Qua.	92	130	184	260	368	390
41	PFL.A017.E	Wear plate									
	PFL.A017.E.G1	Wear plate		Tungsten carbide coated		1	1	1	1	1	1
	PFL.A017.E.G2	Wear plate		Plasma hardened							
For wear plate tungsten carbide coated:											
42	DAD.A004	Shim	0,3 mm	PA6 Polyamide		1	1	1	1	1	1
	DAD.A005	Shim	0,5 mm	PA6 Polyamide		1	1	1	1	1	1

Pump housing segment
Position 44

Pos.	Part number	Description	Dimensions	Note	Qua.	92	130	184	260	368	390
44	PGP.A007.E	Pump housing segment	92	1.4581		2	-	-	-	-	-
	PGP.A008.E	Pump housing segment	130	1.4581		-	2	-	-	-	2
	PGP.A009.E	Pump housing segment	184	1.4581		-	-	2	-	4	-
	PGP.A010.E	Pump housing segment	260	1.4581		-	-	-	2	-	2
	PGP.A007.E.G1	Pump housing segment	92	Tungsten carbide coated		2	-	-	-	-	-
	PGP.A008.E.G1	Pump housing segment	130	Tungsten carbide coated		-	2	-	-	-	2
	PGP.A009.E.G1	Pump housing segment	184	Tungsten carbide coated		-	-	2	-	4	-
	PGP.A010.E.G1	Pump housing segment	260	Tungsten carbide coated		-	-	-	2	-	2
	PGP.A007.E.G2	Pump housing segment	92	Plasma hardened		2	-	-	-	-	-
	PGP.A008.E.G2	Pump housing segment	130	Plasma hardened		-	2	-	-	-	2
	PGP.A009.E.G2	Pump housing segment	184	Plasma hardened		-	-	2	-	4	-
	PGP.A010.E.G2	Pump housing segment	260	Plasma hardened		-	-	-	2	-	2

Injection S

44	PGP.A040.E	Pump housing segment	92	1.4581		2	-	-	-	-	-
	PGP.A041.E	Pump housing segment	130	1.4581		-	2	-	-	-	2
	PGP.A042.E	Pump housing segment	184	1.4581		-	-	2	-	4	-
	PGP.A043.E	Pump housing segment	260	1.4581		-	-	-	2	-	2
	PGP.A040.E.G1	Pump housing segment	92	Tungsten carbide coated		2	-	-	-	-	-
	PGP.A041.E.G1	Pump housing segment	130	Tungsten carbide coated		-	2	-	-	-	2
	PGP.A042.E.G1	Pump housing segment	184	Tungsten carbide coated		-	-	2	-	4	-
PGP.A043.E.G1	Pump housing segment	260	Tungsten carbide coated		-	-	-	2	-	2	

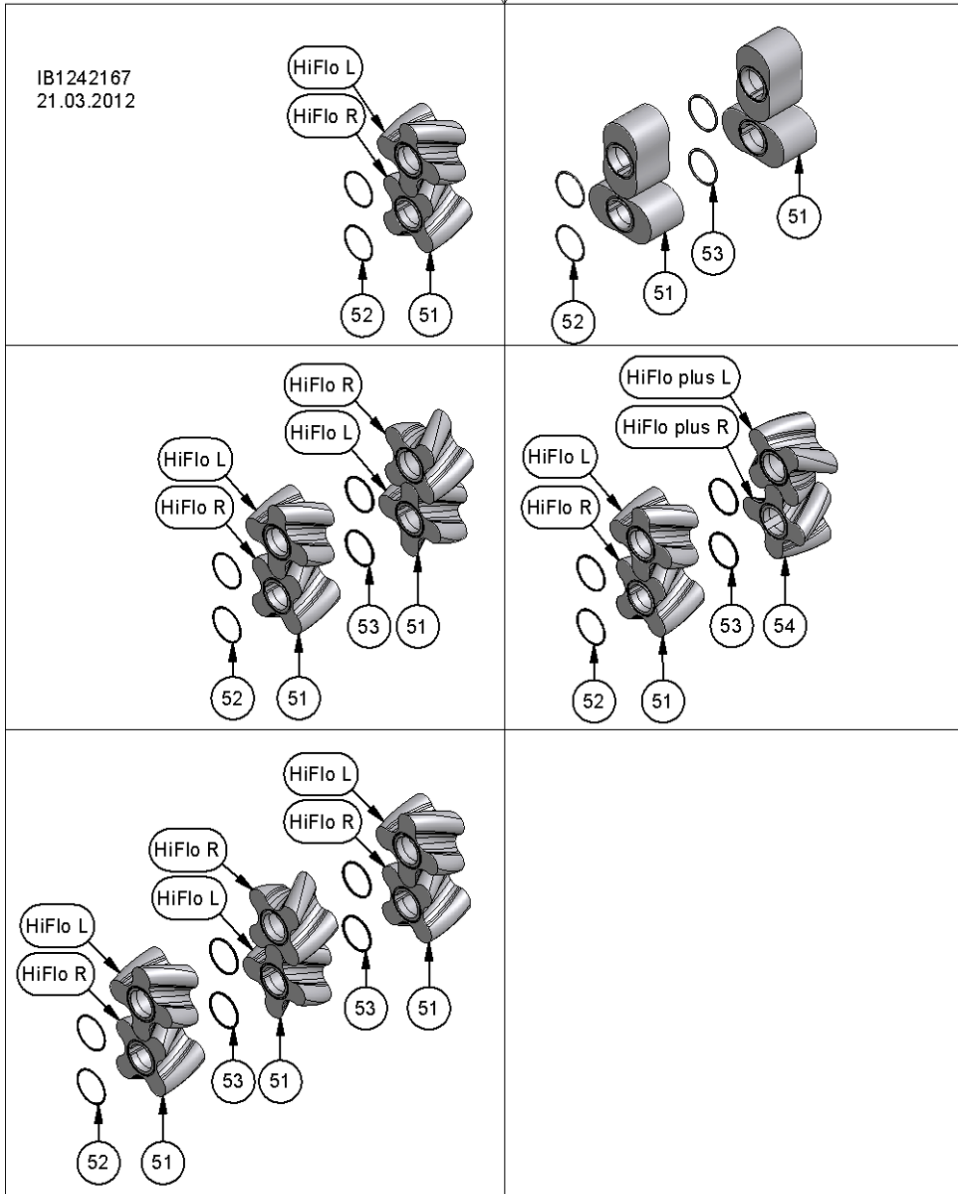
Gasket for pump housing segment
Position 46

Pos.	Part number	Description	Dimensions	Note	Qua.	92	130	184	260	368	390
46	DAD.028	Gasket		Asbestos-free fibre material		4	4	4	4	6	6

Bolts and accessories
 Position 47-50

Pos.	Part number	Description	Dimensions	Note	Qua.	92	130	184	260	368	390
47	NUS.005	Washer	A 13 x 24 x 2.5	DIN 125		48	48	48	48	72	72
48	NMK.002	Hexagon nut	M12	Self-locking		24	24	24	24	36	36
49	NSP.022	Dowel pin	16 x 50	DIN 7346		4	4	4	4	4	4
50	NSK.176	Hexagon head bolt	M12 x 75			10	10	10	10	10	10

Rotary lobes



HiFlo
Position 51+54

HiFlo SBR

Pos.	Part number	Description	Dimensions	Note	Qua.	92	130	184	260	368	390
51	PKD.A040.TL	Rotary lobe	92, 4K45L HiFlo	SBR70		1	-	-	-	-	-
	PKD.A040.TR	Rotary lobe	92, 4K45R HiFlo	SBR70		1	-	-	-	-	-
	PKD.A031.TL	Rotary lobe	130, 4K45L HiFlo	SBR70		-	1	-	2 (1)	-	3
	PKD.A031.TR	Rotary lobe	130, 4K45R HiFlo	SBR70		-	1	-	2 (1)	-	3
	PKD.A025.TL	Rotary lobe	184, 4K45L HiFlo	SBR70		-	-	1	-	2 (1)	-
	PKD.A025.TR	Rotary lobe	184, 4K45R HiFlo	SBR70		-	-	1	-	2 (1)	-
54		Rotary lobe	130, 4K45L HiFlo <i>plus</i>	SBR70		-	-	-	(1)	-	-
		Rotary lobe	130, 4K45R HiFlo <i>plus</i>	SBR70		-	-	-	(1)	-	-
		Rotary lobe	184, 4K45L HiFlo <i>plus</i>	SBR70		-	-	-	-	(1)	-
		Rotary lobe	184, 4K45R HiFlo <i>plus</i>	SBR70		-	-	-	-	(1)	-

HiFlo NBR

Pos.	Part number	Description	Dimensions	Note	Qua.	92	130	184	260	368	390
51	PKD.A039.TL	Rotary lobe	92, 4K45L HiFlo	NBR70		1	-	-	-	-	-
	PKD.A039.TR	Rotary lobe	92, 4K45R HiFlo	NBR70		1	-	-	-	-	-
	PKD.A030.TL	Rotary lobe	130, 4K45L HiFlo	NBR70		-	1	-	2 (1)	-	3
	PKD.A030.TR	Rotary lobe	130, 4K45R HiFlo	NBR70		-	1	-	2 (1)	-	3
	PKD.A024.TL	Rotary lobe	184, 4K45L HiFlo	NBR70		-	-	1	-	2 (1)	-
	PKD.A024.TR	Rotary lobe	184, 4K45R HiFlo	NBR70		-	-	1	-	2 (1)	-
54	PKD0019	Rotary lobe	130, 4K45L HiFlo <i>plus</i>	NBR70		-	-	-	(1)	-	-
	PKD0020	Rotary lobe	130, 4K45R HiFlo <i>plus</i>	NBR70		-	-	-	(1)	-	-
	PKD0017	Rotary lobe	184, 4K45L HiFlo <i>plus</i>	NBR70		-	-	-	-	(1)	-
	PKD0018	Rotary lobe	184, 4K45R HiFlo <i>plus</i>	NBR70		-	-	-	-	(1)	-

HiFlo EPDM

Pos.	Part number	Description	Dimensions	Note	Qua.	92	130	184	260	368	390
51	PKD.A047.TL	Rotary lobe	92, 4K45L HiFlo	EPDM-SL		1	-	-	-	-	-
	PKD.A047.TR	Rotary lobe	92, 4K45R HiFlo	EPDM-SL		1	-	-	-	-	-
	PKD.A048.TL	Rotary lobe	130, 4K45L HiFlo	EPDM-SL		-	1	-	2 (1)	-	3
	PKD.A048.TR	Rotary lobe	130, 4K45R HiFlo	EPDM-SL		-	1	-	2 (1)	-	3
	PKD.A049.TL	Rotary lobe	184, 4K45L HiFlo	EPDM-SL		-	-	1	-	2 (1)	-
	PKD.A049.TR	Rotary lobe	184, 4K45R HiFlo	EPDM-SL		-	-	1	-	2 (1)	-
54	PKD0050	Rotary lobe	130, 4K45L HiFlo <i>plus</i>	EPDM-SL		-	-	-	(1)	-	-
	PKD0051	Rotary lobe	130, 4K45R HiFlo <i>plus</i>	EPDM-SL		-	-	-	(1)	-	-
	PKD0031	Rotary lobe	184, 4K45L HiFlo <i>plus</i>	EPDM-SL		-	-	-	-	(1)	-
	PKD0032	Rotary lobe	184, 4K45R HiFlo <i>plus</i>	EPDM-SL		-	-	-	-	(1)	-

() quantity for HiFlo *plus*

HiFlo FPM

Pos.	Part number	Description	Dimensions	Note	Qua.	92	130	184	260	368	390
51	PKD.A044.TL	Rotary lobe	92, 4K45L HiFlo	FPM ⁽¹⁾		1	-	-	-	-	-
	PKD.A044.TR	Rotary lobe	92, 4K45R HiFlo	FPM ⁽¹⁾		1	-	-	-	-	-
	PKD.A034.TL	Rotary lobe	130, 4K45L HiFlo	FPM ⁽¹⁾		-	1	-	2 (1)	-	3
	PKD.A034.TR	Rotary lobe	130, 4K45R HiFlo	FPM ⁽¹⁾		-	1	-	2 (1)	-	3
	PKD.A028.TL	Rotary lobe	184, 4K45L HiFlo	FPM ⁽¹⁾		-	-	1	-	2 (1)	-
	PKD.A028.TR	Rotary lobe	184, 4K45R HiFlo	FPM ⁽¹⁾		-	-	1	-	2 (1)	-
54		Rotary lobe	130, 4K45L HiFlo <i>plus</i>	FPM ⁽¹⁾		-	-	-	(1)	-	-
		Rotary lobe	130, 4K45R HiFlo <i>plus</i>	FPM ⁽¹⁾		-	-	-	(1)	-	-
		Rotary lobe	184, 4K45L HiFlo <i>plus</i>	FPM ⁽¹⁾		-	-	-	-	(1)	-
		Rotary lobe	184, 4K45R HiFlo <i>plus</i>	FPM ⁽¹⁾		-	-	-	-	(1)	-

() quantity for HiFlo *plus*

⁽¹⁾ max. 6 bar [87 psi], please pay attention to the admissible pressure of pump!

HiFlo WEROBUST

Pos.	Part number	Description	Dimensions	Note	Qua.	92	130	184	260	368	390
51	PKD.A041.TL	Rotary lobe	92, 4K45L HiFlo	WEROBUST ⁽²⁾		1	-	-	-	-	-
	PKD.A041.TR	Rotary lobe	92, 4K45R HiFlo	WEROBUST ⁽²⁾		1	-	-	-	-	-
	PKD.A032.TL	Rotary lobe	130, 4K45L HiFlo	WEROBUST ⁽²⁾		-	1	-	2 (1)	-	3
	PKD.A032.TR	Rotary lobe	130, 4K45R HiFlo	WEROBUST ⁽²⁾		-	1	-	2 (1)	-	3
	PKD.A026.TL	Rotary lobe	184, 4K45L HiFlo	WEROBUST ⁽²⁾		-	-	1	-	2 (1)	-
	PKD.A026.TR	Rotary lobe	184, 4K45R HiFlo	WEROBUST ⁽²⁾		-	-	1	-	2 (1)	-
54		Rotary lobe	130, 4K45L HiFlo <i>plus</i>	WEROBUST ⁽²⁾		-	-	-	(1)	-	-
		Rotary lobe	130, 4K45R HiFlo <i>plus</i>	WEROBUST ⁽²⁾		-	-	-	(1)	-	-
	PKD0064	Rotary lobe	184, 4K45L HiFlo <i>plus</i>	WEROBUST ⁽²⁾		-	-	-	-	(1)	-
	PKD0065	Rotary lobe	184, 4K45R HiFlo <i>plus</i>	WEROBUST ⁽²⁾		-	-	-	-	(1)	-

⁽²⁾ Attention! Usable up to 50°C medium temperature, only!

() quantity for HiFlo *plus*

HiFlo PUR

Pos.	Part number	Description	Dimensions	Note	Qua.	92	130	184	260	368	390
51	PKD0128	Rotary lobe	130 3K60L	PUR		-	1	-	2	-	3
	PKD0129	Rotary lobe	130 3K60R	PUR		-	1	-	2	-	3

Rotary lobes; bi-lobe
Position 51

Pos.	Part number	Description	Dimensions	Note	Qua.	92	130	184	260	368	390
51	PKD.A002	Rotary lobe, bi-lobe	92	SBR		2	-	4	-	8	-
	PKD.A001	Rotary lobe, bi-lobe	130	SBR		-	2	-	4	-	6
	PKD.A004	Rotary lobe, bi-lobe	92	NBR		2	-	4	-	8	-
	PKD.A003	Rotary lobe, bi-lobe	130	NBR		-	2	-	4	-	6
	PKD.A004.W	Rotary lobe, bi-lobe	92	NBR white		2	-	4	-	8	-
	PKD.A003.W	Rotary lobe, bi-lobe	130	NBR white		-	2	-	4	-	6
	PKD.A006.SL	Rotary lobe, bi-lobe	92	EPDM-SL		2	-	4	-	8	-
	PKD.A005.SL	Rotary lobe, bi-lobe	130	EPDM-SL		-	2	-	4	-	6
	PKD.A006.W	Rotary lobe, bi-lobe	92	EPDM white		2	-	4	-	8	-
	PKD.A005.W	Rotary lobe, bi-lobe	130	EPDM white		-	2	-	4	-	6
	PKD.A008	Rotary lobe, bi-lobe	92	FPM ⁽¹⁾		2	-	4	-	8	-
	PKD.A007	Rotary lobe, bi-lobe	130	FPM ⁽¹⁾		-	2	-	4	-	6
	PKD.A009	Rotary lobe, bi-lobe	92	WEROBUST ⁽²⁾		2	-	4	-	8	-
PKD.A010	Rotary lobe, bi-lobe	130	WEROBUST ⁽²⁾		-	2	-	4	-	6	
51		Rotary lobe, 2 wings ⁽³⁾	92	1.4571		2	-	4	-	8	-
	PKD.A012.N1.E	Rotary lobe, 2 wings ⁽³⁾	130	1.4571		-	2	-	4	-	6

⁽¹⁾ max. 6 bar [87 psi], please pay attention to the admissible pressure of pump!

⁽²⁾ Attention! Usable up to 50°C medium temperature, only!

⁽³⁾ + O-ring for solid material lobe

Solid material rotary lobes

HiFlo

Position 51+54

Pos.	Part number	Description	Dimensions	Note	Qua.	92	130	184	260	368	390
51	PKD.A035.N1.TLE	Rotary lobe ⁽³⁾	92, 4K45L HiFlo	1.4571		1	-	-	-	-	-
	PKD.A035.N1.TRE	Rotary lobe ⁽³⁾	92, 4K45R HiFlo	1.4571		1	-	-	-	-	-
	PKD.A036.N1.TLE	Rotary lobe ⁽³⁾	130, 4K45L HiFlo	1.4571		-	1	-	2 (1)	-	3
	PKD.A036.N1.TRE	Rotary lobe ⁽³⁾	130, 4K45R HiFlo	1.4571		-	1	-	2 (1)	-	3
	PKD.A037.N1.TLE	Rotary lobe ⁽³⁾	184, 4K45L HiFlo	1.4571		-	-	1	-	2 (1)	-
	PKD.A037.N1.TRE	Rotary lobe ⁽³⁾	184, 4K45R HiFlo	1.4571		-	-	1	-	2 (1)	-
54	PKD0027	Rotary lobe ⁽³⁾	130, 4K45L HiFloplus	1.4571		-	-	-	(1)	-	-
	PKD0028	Rotary lobe ⁽³⁾	130, 4K45R HiFloplus	1.4571		-	-	-	(1)	-	-
		Rotary lobe ⁽³⁾	184, 4K45L HiFloplus	1.4571		-	-	-	-	(1)	-
		Rotary lobe ⁽³⁾	184, 4K45R HiFloplus	1.4571		-	-	-	-	(1)	-

⁽³⁾ + O-ring for solid material lobe

() quantity for HiFlo plus

O-ring for solid material rotary lobes

Position 52-53

Pos.	Part number	Description	Dimensions	Note	Qua.	92	130	184	260	368	390
52	DOR.085	O-ring ⁽⁵⁾	104 x 3	NBR		2	2	2	2	2	2
	DOR.085.EP	O-ring ⁽⁵⁾	104 x 3	EPDM							
	DOR.085.VI	O-ring ⁽⁵⁾	104 x 3	FPM							
	DOR.085.PT	O-ring ⁽⁵⁾	104 x 3	Silicone FEP coated							
53	DOR.163	O-ring ⁽⁵⁾	103 x 5	NBR		-	-	0 2 ⁽⁹⁾	2	2 6 ⁽⁹⁾	4
	DOR.163.EP	O-ring ⁽⁵⁾	103 x 5	EPDM							
	DOR.163.VI	O-ring ⁽⁵⁾	103 x 5	FPM							
	DOR.163.PT	O-ring ⁽⁵⁾	103 x 5	Silicone FEP coated							

⁽⁵⁾ for solid material lobes

⁽⁹⁾ quantity for rotary lobe bi-lobe

Preload

Position 55-56

Pos.	Part number	Description	Dimensions	Note	Qua.	92	130	184	260	368	390
55	DOR.021	O-ring	24 x 3	NBR							
	DOR.021.EP	O-ring	24 x 3	EPDM							
	DOR.021.VI	O-ring	24 x 3	FPM		2	2	2	2	2	2
	DOR.021.PT	O-ring	24 x 3	Silicone FEP coated							
56	PRS.105.E	Strain bolt	M16 x 90								
	PRS.117.E	Strain bolt ⁽⁵⁾	M16 x 80			2	2	2	2	2	2

⁽⁵⁾ for solid material lobes

Cover flange and accessories

Position 57-63

Pos.	Part number	Description	Dimensions	Note	Qua.	92	130	184	260	368	390
57	PGP.A005.E	Flange ring		Stainless steel		1	1	1	1	1	1
58	NKS.006	Lifting eye bolt	M12						2		
59	NSP.014	Spring pin	16 x 30						4		
60	NSK.046	Hex head screw	M12 x 60						8		
61	PRS.A015	Distance nut	M12						4		
62	NGS.095	Threaded rod	M12						4 x 115 mm		
63	DOR.052	O-ring	368 x 6	NBR							
	DOR.052.EP	O-ring	368 x 6	EPDM							
	DOR.052.VI	O-ring	368 x 6	FPM		2	2	2	2	2	2
	DOR.052.PT	O-ring	368 x 6	Silicone FEP coated							

Wear plate

Position 64-65

Pos.	Part number	Description	Dimensions	Note	Qua.	92	130	184	260	368	390
64	NSK.025.EE	Hexagon head screw	M10 x 16			2	2	2	2	2	2
65	PGP.A035.E	Wear plate		1.4571							
	PGP.A035.E.G2	Wear plate		Plasma hardened		1	1	1	1	1	1
	PGP.A035.E.G1	Wear plate		Tungsten carbide coated							

Cover and accessories

Position 66-70

Pos.	Part number	Description	Dimensions	Note	Qua.	92	130	184	260	368	390
66	PGP.A006	Cover plate							1		
67	NSK.080.EE	Screw plug	M10 x 1	With option: lubricating hole (Pos. 76)					1		
68	DKR.001	Copper ring	C 10 x 16 x 1						4		
69	PRS.A030	Shim							4		
70	NMS.004	Hexagon nut	M12	DIN 934-8					4		

Buffer chamber enlargement

Position 74

Pos.	Part number	Description	Dimensions	Note	Qua.	92	130	184	260	368	390
74	PSG.014	Buffer fluid tank		Pressurized							
	PSG.014.T1	Quenching fluid tank		Ventilated (option)		1	1	1	1	1	1
	PSV.002.N1	Pressure valve		(Option)							

Intermediate flange

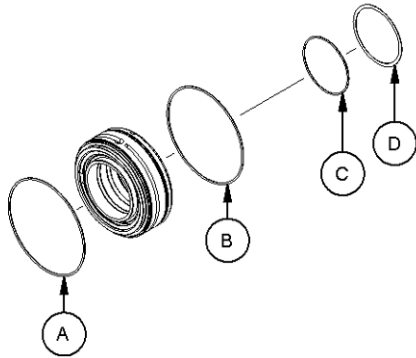
Position 72-73 + 75-78

Pos.	Part number	Description	Dimensions	Note	Qua.	92	130	184	260	368	390
71	NSK0145	Hexagon head bolt	M10 x 10	DIN 933					2		
72	NSK.001	Hexagon head bolt	M10 x 30	DIN 933					2		
73	NUS.004	Washer	A 10.5 x 20 x 2 mm	DIN 125					2		
76	PGP0273	Intermediate flange							1		
	PGP.A021.N1.E	Intermediate flange		Option: lubricating hole							
	PFL.A021.E	Flame-cut part							1		
77	NSI.096.EE	Cylinder head bolt	M10 x 18	DIN 931					1		
78	DOR.040	O-ring	12 x 2	NBR					1		
	DOR.040.EP	O-ring	12 x 2	EPDM							
	DOR.040.VI	O-ring	12 x 2	FPM							
	DOR.040.PT	O-ring	12 x 2	Silicon FEP coated							

Cartridge mechanical seal
Pos. 79

Pos.	Part number	Description	Dimensions	Note	Qua.	92	130	184	260	368	390
1.4571											
79	PBT.A002.E	Cartridge mechanical seal HD; single mechanical seal		SiSiC / HNBR							
	PBT.A003.E		SiSiC / FPM								
	PBT.A004.E		Duronit ⁽⁴⁾ / HNBR								
	PBT.A005.E		Duronit ⁽⁴⁾ / FPM								
	PBT.A008.E		SiSiC / EPDM								
	PBT.A012.E	Cartridge mechanical seal block ring; single mechanical seal		SiSiC / HNBR		2	2	2	2	2	2
	PBT.A013.E		SiSiC / FPM								
	PBT.A014.E		Carbon / HNBR								
	PBT.A042.E		Carbon / HNBR (distance sleeve + rotating ring in stainless steel)								
	PBT.A015.E		Carbon / FPM								
	PBT.A016.E		Carbon / EPDM								
	PBT.A021.E		Duronit ⁽⁴⁾ / HNBR								
	PBT.A036.E		Duronit ⁽⁴⁾ / FPM								
	PBT.A040.E		SiSiC / EPDM								

⁽⁴⁾ up to 10 bar [145 psi] real operating pressure



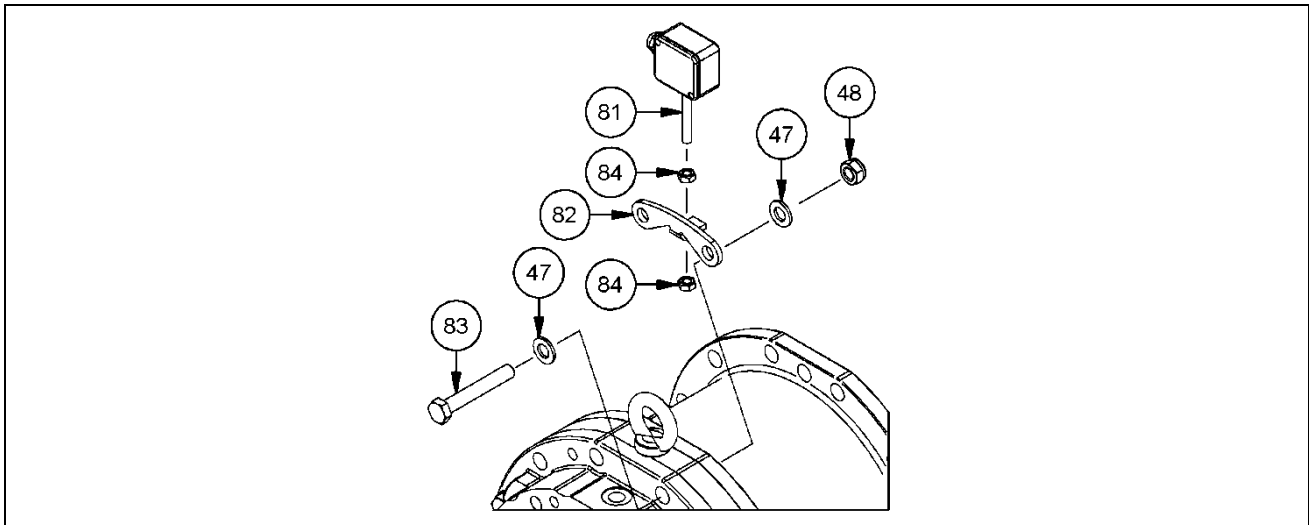
"Loose parts" for Cartridge mechanical seal

Quantity per cartridge

Pos.	Part number	Description	Dimensions	Notes	Qty.
A	DOR.027	O-ring	144 x 3	NBR	1
	DOR.027.VI	O-ring	144.5 x 3	FPM	
B	DOR.027	O-ring	144 x 3	NBR	2
	DOR.027.EP	O-ring	144.5 x 3	EPDM	
	DOR.027.VI	O-ring	144.5 x 3	FPM	
	DOR.027.PT	O-ring	144 x 3	Silicone FEP coated	
C	DOR.044	O-ring	85 x 2.5	NBR	1
	DOR.044.VI	O-ring	85 x 2.5	FPM	
D	NUS.044	Shim	94.5 x 85.5 x 0.75		1

These positions are contained in the Cartridge mechanical seal as "loose parts".

Temperature sensor
Pos. 81-84






Pos.	Part number	Description	Dimensions	Note	Qua.	92	130	184	260	368	390
81	SSS.073.N1	Temperature sensor				1	1	1	1	1	1
82	RFL.489	Holder for temperature sensor				1	1	1	1	1	1
83	NSK.035	Hexagon head bolt	M12 x 80	DIN 931		2	2	2	2	2	2
84	NMS.002	Hexagon nut	M8	DIN 934-8		2	2	2	2	2	2

Accessories
Pos. 87-94


Pos.	Part number	Description	Dimensions	Note	Qua.	92	130	184	260	368	390
87	NSP.024	Spring pin	16 x 26	DIN 7346		-	-	-	-	4	4
88	NSK.053	Hexagon head bolt	M12 x 55	DIN 931		-	-	-	-	12	12
90	NST.017	Plug				2	2	2	2	2	2
91	NTF.002	Spring washer	71 x 36 x 4			4	4	4	4	4	4
	NTF.003	Spring washer ⁽⁵⁾	100 x 51 x 6			2 ⁽⁵⁾	2 ⁽⁵⁾	2 ⁽⁵⁾	2 ⁽⁵⁾	2 ⁽⁵⁾	2 ⁽⁵⁾
92	PRS.B008.E	Pressure disk				2	2	2	2	2	2
	PRS.A009.N1.E	Pressure disk ⁽⁵⁾									
93	DOR.043	O-ring	64 x 4	NBR		2	2	2	2	2	2
	DOR.043.EP	O-ring	64 x 4	EPDM							
	DOR.043.VI	O-ring	64 x 4	FPM							
	DOR.043.PT	O-ring	64 x 4	Silicone FEP coated							
	DOR.045	O-ring ⁽⁵⁾	92 x 4	NBR							
	DOR.045.EP	O-ring ⁽⁵⁾	92 x 4	EPDM							
	DOR.045.VI	O-ring ⁽⁵⁾	92 x 4	FPM							
DOR.045.PT	O-ring ⁽⁵⁾	92 x 4	Silicone FEP coated								
94	PRS.A029.E	Pressure disk adaptor				2 _{0⁽⁵⁾}	2 _{0⁽⁵⁾}	2 _{0⁽⁵⁾}	2 _{0⁽⁵⁾}	2 _{0⁽⁵⁾}	2 _{0⁽⁵⁾}

⁽⁵⁾ for solid material lobes



Tools

Pos.	Part number	Description	Dimensions	Note	Qua.	92	130	184	260	368	390
	PBA.A001.TK	Lobe puller	92 + 130			x	x	-	-	-	-
	PBA.A001.TL	Lobe puller	184 + 260			-	-	x	x	-	-
	PBA.A001.T1	Lobe puller	352 + 390			-	-	-	-	x	x
	PBA.A011	Assembly tool		Radial shaft seal ring (DWD.049)							
	PBA.A012	Assembly tool		Inner ring (NIR.014)							
	PGP.A015	Assembly tool		Bearing seal housing (PGP.A018.T2)							

Cartridge mechanical seal:

	PBA0009	Tool set		Cartridge mechanical seal					x			
	WKZ0457	Disassembly tool Cartridge mechanical seal		Included in PBA0009								
	PBA.A014.N1	Tool		Included in WKZ0457						(1)		
	NSI.057	Cylinder head bolt	M 6 x 16								(2)	
	NSK.155	Hexagon head bolt	M 8 x 80								(3)	

Component mechanical seal:

	PBA.A010	Assembly tool		Mechanical seal ring support (PRS.A026.N1.T1)							
	PBA.A006.N1	Assembly tool		Mechanical seal [DGL.A013]							
	PBA.A033.T1	Multi-purpose tool		Cartridge mechanical seal + rotary lobe		x	x	x	x	x	-
	WKZ0106	Service tool box	VX186Q			x	x	x	x	-	-

Material for connectors

Pos.	Part number	Description	Dimensions	Note	Qua.	92	130	184	260	368	390
	NSK.001.EE	Hex head screw	M10 x 30	DIN 933;stainless steel		24	28	32	36	40	44
	NUS.004.EE	Washer	A 10,5 x 20 x 2	DIN 125;stainless steel		24	28	32	36	40	44
	DFD.070.P	Flange gasket	92			2	-	-	-	-	-
	DFD.071.P	Flange gasket	130			-	2	-	-	-	-
	DFD.072.P	Flange gasket	184			-	-	2	-	-	-
	DFD.073.P	Flange gasket	260			-	-	-	2	-	-
	DFD.074.P	Flange gasket	368			-	-	-	-	2	-
	DFD.104.P	Flange gasket	390			-	-	-	-	-	2
	PFL.120.E	Flange	92			2	-	-	-	-	-
	PFL.121.E	Flange	130			-	2	-	-	-	-
	PFL.122.E	Flange	184			-	-	2	-	-	-
	PFL.123.E	Flange	260			-	-	-	2	-	-
	PFL.124.E	Flange	368			-	-	-	-	2	-
	PFL.148.E	Flange	390			-	-	-	-	-	2

Required spare parts for rotary lobe change

Pos.	Part number	Description	Dimensions	Note	Qua.	92	130	184	260	368	390
21	NPF.040	Fitting key	B 22 x 14 x 50	DIN 6885		2	-	-	-	-	2
	NPF.042	Fitting key	B 22 x 14 x 90	DIN 6885		-	2	-	-	-	-
	NPF.043	Fitting key	B 22 x 14 x 100	DIN 6885		-	-	-	-	2	6
	NPF.044	Fitting key	B 22 x 14 x 140	DIN 6885		-	-	2	-	-	-
	NPF.045	Fitting key	B 22 x 14 x 220	DIN 6885		-	-	-	2	2	-
51-54		Rotary lobe		See page 10 and follow							
55	DOR.021	O-ring	24 x 3	NBR		2	2	2	2	2	2
	DOR.021.EP	O-ring	24 x 3	EPDM							
	DOR.021.VI	O-ring	24 x 3	FPM							
	DOR.021.PT	O-ring	24 x 3	Silicone FEP coated							
56	PRS.105.E	Strain bolt	M16 x 90			2	2	2	2	2	2
	PRS.117.E	Strain bolt ⁽⁵⁾	M16 x 80								
63	DOR.052	O-ring	368 x 6	NBR		1	1	1	1	1	1
	DOR.052.EP	O-ring	368 x 6	EPDM							
	DOR.052.VI	O-ring	368 x 6	FPM							
	DOR.052.PT	O-ring	368 x 6	Silicone FEP coated							
90	NST.017	Plug				2	2	2	2	2	2
93	DOR.043	O-ring	64 x 4	NBR		2	2	2	2	2	2
	DOR.043.EP	O-ring	64 x 4	EPDM							
	DOR.043.VI	O-ring	64 x 4	FPM							
	DOR.043.PT	O-ring	64 x 4	Silicone FEP coated							
	DOR.045	O-ring ⁽⁵⁾	92 x 4	NBR							
	DOR.045.EP	O-ring ⁽⁵⁾	92 x 4	EPDM							
	DOR.045.VI	O-ring ⁽⁵⁾	92 x 4	FPM							
	DOR.045.PT	O-ring ⁽⁵⁾	92 x 4	Silicone FEP coated							

⁽⁵⁾ for solid material lobes

Necessary spare parts for Cartridge mechanical seal change

Pos.	Part number	Description	Dimensions	Note	Qua.	92	130	184	260	368	390	
55	DOR.021	O-ring	24 x 3	NBR		2	2	2	2	2	2	
	DOR.021.EP	O-ring	24 x 3	EPDM								
	DOR.021.VI	O-ring	24 x 3	FPM								
	DOR.021.PT	O-ring	24 x 3	Silicone FEP coated								
56	PRS.105.E	Strain bolt	M16 x 90		2	2	2	2	2	2	2	
	PRS.117.E	Strain bolt ⁽⁵⁾	M16 x 80									
63	DOR.052	O-ring	368 x 6	NBR	1	1	1	1	1	1	1	
	DOR.052.EP	O-ring	368 x 6	EPDM								
	DOR.052.VI	O-ring	368 x 6	FPM								
	DOR.052.PT	O-ring	368 x 6	Silicone FEP coated								

1.4571

79	PBT.A002.E	Cartridge mechanical seal HD; single mechanical seal		SiSiC / HNBR		2	2	2	2	2	2
	PBT.A003.E			SiSiC / FPM							
	PBT.A004.E			Duronit ⁽⁴⁾ / HNBR							
	PBT.A005.E			Duronit ⁽⁴⁾ / FPM							
	PBT.A008.E		SiSiC / EPDM								
	PBT.A012.E	Cartridge mechanical seal block ring; single mechanical seal		SiSiC / HNBR							
	PBT.A013.E			SiSiC / FPM							
	PBT.A014.E			Carbon / HNBR							
	PBT.A042.E			Carbon / HNBR (distance sleeve + rotating ring in stainless steel)							
	PBT.A015.E			Carbon / FPM							
	PBT.A016.E			Carbon / EPDM							
	PBT.A021.E			Duronit ⁽⁴⁾ / HNBR							
	PBT.A036.E			Duronit ⁽⁴⁾ / FPM							
	PBT.A040.E			SiSiC / EPDM							

90	NST.017	Plug				2	2	2	2	2	2
----	---------	------	--	--	--	---	---	---	---	---	---

93	DOR.043	O-ring	64 x 4	NBR	2	2	2	2	2	2	2	
	DOR.043.EP	O-ring	64 x 4	EPDM								
	DOR.043.VI	O-ring	64 x 4	FPM								
	DOR.043.PT	O-ring	64 x 4	Silicone FEP coated								
	DOR.045	O-ring ⁽⁵⁾	92 x 4	NBR								
	DOR.045.EP	O-ring ⁽⁵⁾	92 x 4	EPDM								
	DOR.045.VI	O-ring ⁽⁵⁾	92 x 4	FPM								
DOR.045.PT	O-ring ⁽⁵⁾	92 x 4	Silicone FEP coated									

⁽⁴⁾ up to 10 bar [145 psi] real operating pressure

⁽⁵⁾ for solid material lobes

Necessary spare parts for wear part replacement with Cartridge mechanical seal

Pos.	Part number	Description	Dimensions	Note	Qua.	92	130	184	260	368	390
21	NPF.040	Fitting key	B 22 x 14 x 50	DIN 6885		2	-	-	-	-	2
	NPF.042	Fitting key	B 22 x 14 x 90	DIN 6885		-	2	-	-	-	-
	NPF.043	Fitting key	B 22 x 14 x 100	DIN 6885		-	-	-	-	2	6
	NPF.044	Fitting key	B 22 x 14 x 140	DIN 6885		-	-	2	-	-	-
	NPF.045	Fitting key	B 22 x 14 x 220	DIN 6885		-	-	-	2	2	-
41	PFL.A017.E	Wear plate									
	PFL.A017.E.G1	Wear plate		Tungsten carbide coated		1	1	1	1	1	1
	PFL.A017.E.G2	Wear plate		Plasma hardened							
For wear plate tungsten carbide coated:											
42	DAD.A004	Shim	0,3 mm	PA6 Polyamide		1	1	1	1	1	1
	DAD.A005	Shim	0,5 mm	PA6 Polyamide		1	1	1	1	1	1
46	DAD.028	Gasket		Asbestos-free fibre material		4	4	4	4	6	6
51-54		Rotary lobe		See page 10 and follow							
55	DOR.021	O-ring	24 x 3	NBR		2	2	2	2	2	2
	DOR.021.EP	O-ring	24 x 3	EPDM							
	DOR.021.VI	O-ring	24 x 3	FPM							
	DOR.021.PT	O-ring	24 x 3	Silicone FEP coated							
56	PRS.105.E	Strain bolt	M16 x 90			2	2	2	2	2	2
	PRS.117.E	Strain bolt ⁽⁵⁾	M16 x 80								
63	DOR.052	O-ring	368 x 6	NBR		1	1	1	1	1	1
	DOR.052.EP	O-ring	368 x 6	EPDM							
	DOR.052.VI	O-ring	368 x 6	FPM							
	DOR.052.PT	O-ring	368 x 6	Silicone FEP coated							
64	NSK.025.EE	Hexagon head screw	M10 x 16			2	2	2	2	2	2
65	PGP.A035.E	Wear plate		1.4571		1	1	1	1	1	1
	PGP.A035.E.G2	Wear plate		Plasma hardened							
	PGP.A035.E.G1	Wear plate		Tungsten carbide coated							

⁽⁴⁾ up to 10 bar [145 psi] real operating pressure

⁽⁵⁾ for solid material lobes

Continuation see next page

Pos.	Part number	Description	Dimensions	Note	Qua.	92	130	184	260	368	390
1.4571											
79	PBT.A002.E	Cartridge mechanical seal HD; single mechanical seal		SiSiC / HNBR		2	2	2	2	2	2
	PBT.A003.E			SiSiC / FPM							
	PBT.A004.E			Duronit ⁽⁴⁾ / HNBR							
	PBT.A005.E			Duronit ⁽⁴⁾ / FPM							
	PBT.A008.E		SiSiC / EPDM								
	PBT.A012.E	Cartridge mechanical seal block ring; single mechanical seal		SiSiC / HNBR							
	PBT.A013.E			SiSiC / FPM							
	PBT.A014.E			Carbon / HNBR							
	PBT.A042.E			Carbon / HNBR (distance sleeve + rotating ring in stainless steel)							
	PBT.A015.E			Carbon / FPM							
	PBT.A016.E			Carbon / EPDM							
	PBT.A021.E			Duronit ⁽⁴⁾ / HNBR							
	PBT.A036.E			Duronit ⁽⁴⁾ / FPM							
PBT.A040.E			SiSiC / EPDM								
90	NST.017	Plug				2	2	2	2	2	2
93	DOR.043	O-ring	64 x 4	NBR		2	2	2	2	2	2
	DOR.043.EP	O-ring	64 x 4	EPDM							
	DOR.043.VI	O-ring	64 x 4	FPM							
	DOR.043.PT	O-ring	64 x 4	Silicone FEP coated							
	DOR.045	O-ring ⁽⁵⁾	92 x 4	NBR							
	DOR.045.EP	O-ring ⁽⁵⁾	92 x 4	EPDM							
	DOR.045.VI	O-ring ⁽⁵⁾	92 x 4	FPM							
	DOR.045.PT	O-ring ⁽⁵⁾	92 x 4	Silicone FEP coated							

⁽⁴⁾ up to 10 bar [145 psi] real operating pressure

⁽⁵⁾ for solid material lobes

VOGELSANG



Hugo Vogelsang Maschinenbau GmbH

Holthöge 10-14
49632 Essen/Oldb.

Phone: +49 (0) 54 34 83 0
Fax: +49 (0) 54 34 83 10

vogelsang-gmbh.com
info@vogelsang-gmbh.com

ENGINEERED TO WORK

Australien
Vogelsang Pty. Ltd.
vogelsang.com.au

Indien
Vogelsang India Private Limited
vogelsangindia.com

Russland
Vogelsang Russland
vogelsang.ru

Brasilien
Vogelsang Brasil Ltda.
vogelsang.com.br

Irland
Vogelsang Ireland
vogelsang.ie

Schweden
Vogelsang Sverige AB
vogelsang.se

China
Vogelsang Mechanical Engineering (Shanghai) Co., Ltd.
vogelsang.com.cn

Italien
Vogelsang Italy Srl
vogelsang-srl.it

Spanien
Vogelsang S.L.
vogelsang.es

Dänemark
Vogelsang A/S
vogelsang-as.dk

Malaysia
Vogelsang Malaysia
vogelsang.info

Südkorea
Vogelsang Korea Co., Ltd.
vogelsang.co.kr

Deutschland - Niederlassung Ost
Vogelsang Lutherstadt Eisleben
vogelsang-gmbh.com

Mexico
Vogelsang De México S.de R.L. de CV
vogelsang.mx

Tschechische Republik
Vogelsang CZ s.r.o.
vogelsang-czech.cz

Finnland
Vogelsang Oy
vogelsang.fi

Polen
Vogelsang Poland Sp. z o.o.
vogelsang.pl

USA
Vogelsang USA Ltd.
vogelsangusa.com

Frankreich
Vogelsang France S.A.R.L.
vogelsang.fr

Österreich
Vogelsang Austria GmbH
vogelsang-austria.at

Großbritannien
Vogelsang Ltd.
vogelsang.co.uk

Rumänien
Vogelsang Romania SRL
vogelsang.ro