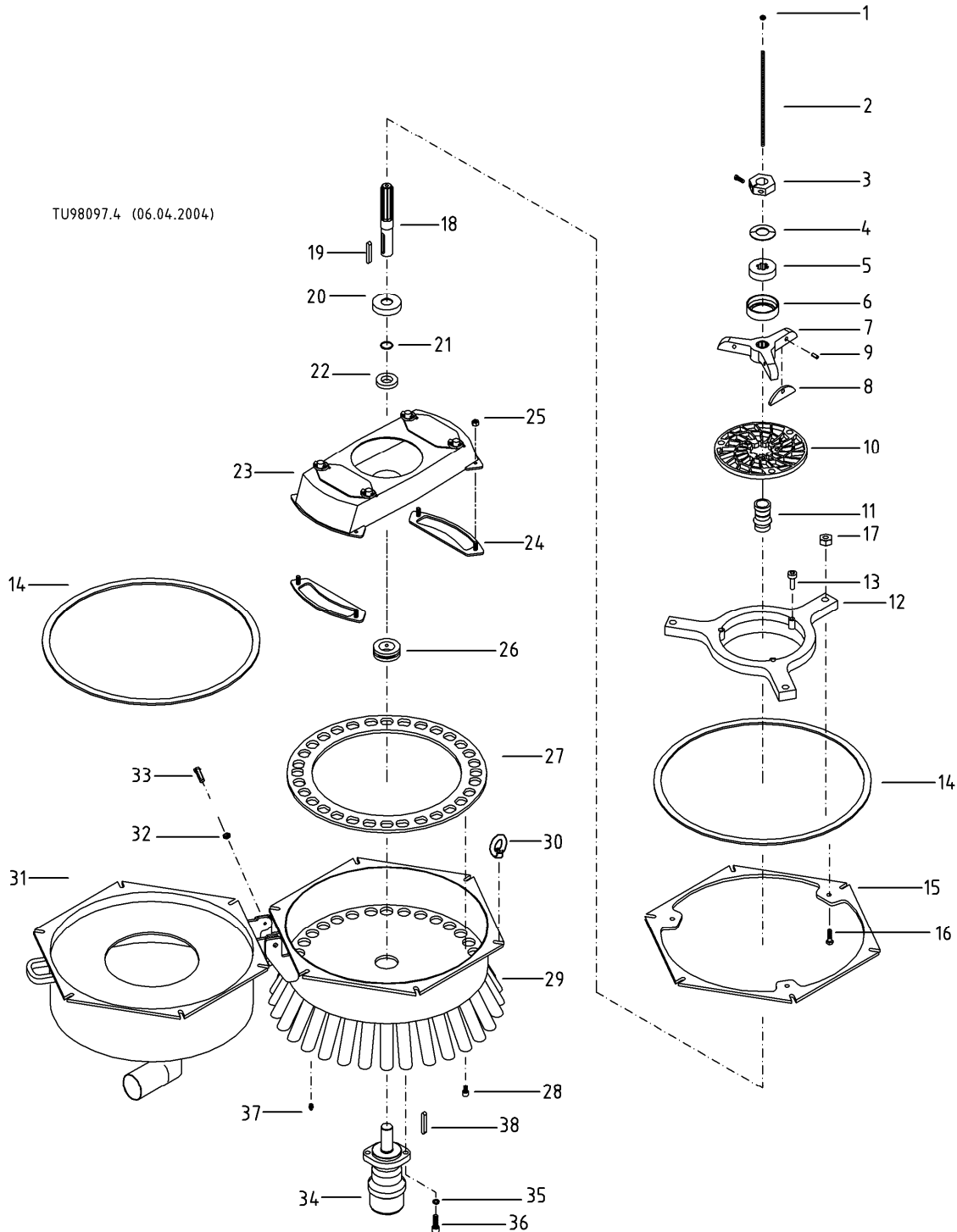


Ersatzteil-Liste
**DosiCut
 ø 360 (ø 350)
 LV10 DN50 – LV13 DN50**
Spare Parts List


Pos	Art.-Nr. Art.-No.	Beschreibung	Description	Stück Quantity	LV 10 DN50	LV 11 DN50	LV 12 DN50	LV 13 DN50
1	NMK.004.E	Mutter M8, selbstsichernd	Hex nut M8, self-locking		1	1	1	1
2	NGS.010	Gewindestange M8	Threaded rod M8		0,28 m	0,28 m	0,28 m	0,28 m
3	NMS.016	Spannmutter	Tension nut with safety screw		1	1	1	1
4	NTF.001	Tellerfeder	Disk spring		1	1	1	1
5	DFD.110	Gummischeibe	Rubber disk		1	1	1	1
6	PRS.100	Gummischeiben-/ Tellerfederschutz	Protection ring		1	1	1	1
	GFK.002	Messerrotor komplett, bestehend aus: Rotor, Schneidmessern, Spannstiften und Schmiernippel	Knife rotor complete, consisting of: rotor, cutter blades, dowel pins and grease nipple		1	1	1	1
7	GFM.004	Messerrotor ohne Schneidmessern,	Knife rotor without cutter blades		1	1	1	1
8	GSM.006	Schneidmesser	Cutter blades		3	3	3	3
9	NSP.006	Spannhülse	Dowel pin		3	3	3	3
10	GFL.495.N1.M9	Schneidsieb (Standard) max ø 28 mm	Cutting screen (standard) max ø 28 mm		1	1	1	1
	GFL.427.N2.M9	Schneidsieb (Option) max ø 20 mm	Cutting screen (option) max ø 20 mm					
11	DFD.111	Gummimuffe	Rubber bushing		1	1	1	1
12	RFL.097	Tragring DosiCut	Supporting ring DosiCut		1	1	1	1
13	NSI.027	Zylinderschraube M12 x 25	Hex socket head screw M12 x 25		3	3	3	3
14	TFD.021	Zellkautschuk 15 x 4	Foam rubber 15 x 4		2x1,2 m	2x1,2 m	2x1,2 m	2x1,2 m
15	RFL.471	Flansch für Tragring ø 360	Flange for supporting ring ø 360		1	1	1	1
16	NSK.001	Sechskantschraube M10 x 30	Hex head screw M10 x 30		3	3	3	3
17	NMK.001	Sechskantmutter M10 selbstsichernd	Hex nut M10 self-locking		3	3	3	3
18	GWE.008	Welle DosiCut	Shaft DosiCut		1	1	1	1
19	NPF.053	Passfeder A 10 x 8 x 45	Key A 10 x 8 x 45		1	1	1	1
20	GRS.076	Träger Vorspannelement	Carrier for rubber disk		1	1	1	1
21	DOR.021	O-Ring 24 x 3	O-ring 24 x 3		1	1	1	1
22	DFD.112	Gummischeibe DosiCut	Rubber disk DosiCut		1	1	1	1
23	TRO.113.N2	Balkenrotor 200 breit	Rotor straight 200mm width		1	1	1	1
24	TMS.116	Messer komplett	Knife complete		2	2	2	2
25	NMS.021	Sechskantmutter M10 (in TMS.116 enthalten)	Hex nut M10 (included in TMS.116)		4	4	4	4
26	DFD.083	Dichtung	Gasket		1	1	1	1
27	TFL.177	Schneidring LV 10	Cutting ring LV 10		1	-	-	-
	TFL.201	Schneidring LV 11	Cutting ring LV 11		-	1	-	-
	TFL.044	Schneidring LV 12	Cutting ring LV 12		-	-	1	-
	TFL.206	Schneidring LV 13	Cutting ring LV 13		-	-	-	1
28	NSI.017	Zylinderschraube M10 x 16	Hex socket head screw M10 x 16		4	4	4	4
29	TGE.019.N2	Gehäuse LV 10 DN 50	Housing LV 10 DN 50		1	-	-	-
	TGE.020.N2	Gehäuse LV 11 DN 50	Housing LV 11 DN 50		-	1	-	-
	TGE.001.N2	Gehäuse LV 12 DN 50	Housing LV 12 DN 50		-	-	1	-
	TGE.021.N2	Gehäuse LV 13 DN 50	Housing LV 13 DN 50		-	-	-	1
30	NMK.009	Ringmutter M12	Lifting-eye nut M12		6	6	6	6
31	TDO.004.N2	Oberteil DosiCut	Cover DosiCut		1	1	1	1
32	NMK.002	Mutter M12, selbstsichernd	Hex nut M12 self-locking		2	2	2	2
33	NSK.029	Sechskantschraube M12 x 35	Hex head screw M12 x 35		2	2	2	2
34	AOM.015	Hydraulikmotor OMS 125	Hydraulic motor OMS 125		1	1	1	1
35	NFR.004	Federring M12	Washer M12		2	2	2	2
36	NSK.029	Sechskantschraube M12 x 35	Hex head screw M12 x 35		2	2	2	2
37	NKS.001	Schmiernippel	Grease nipple		1	1	1	1
38	NPF.053	Passfeder A 10 x 8 x 45	Key A 10 x 8 x 45		1	1	1	1